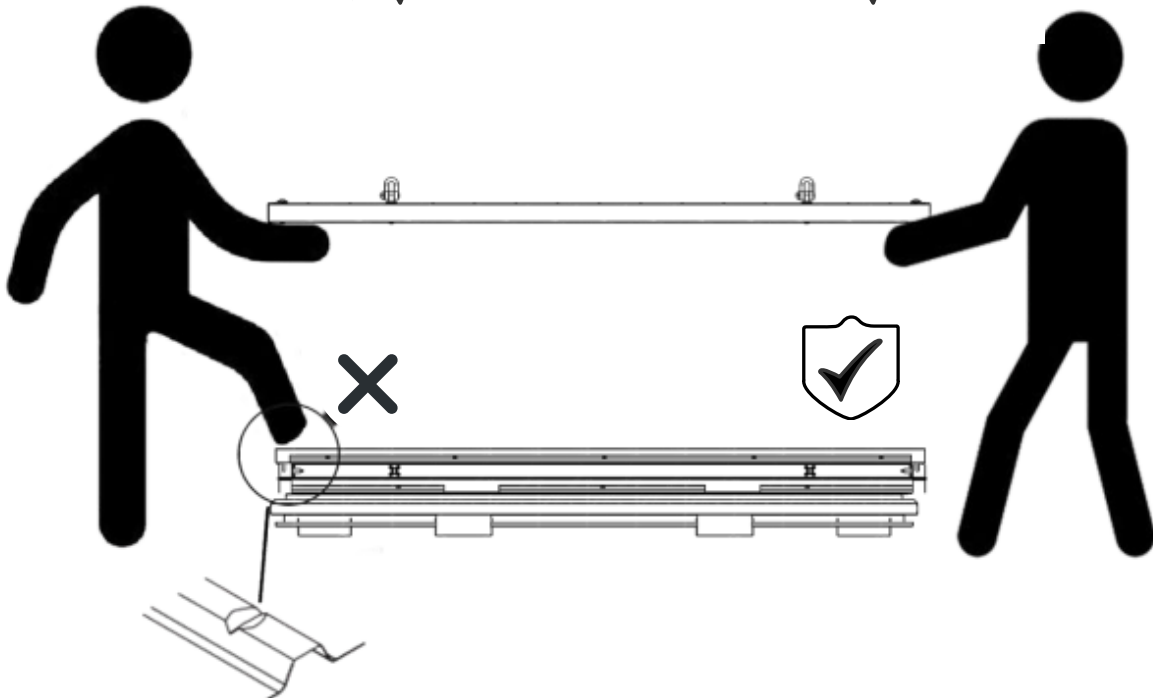
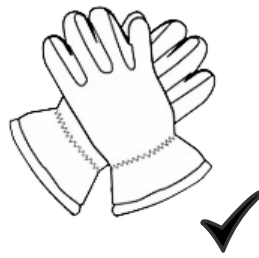
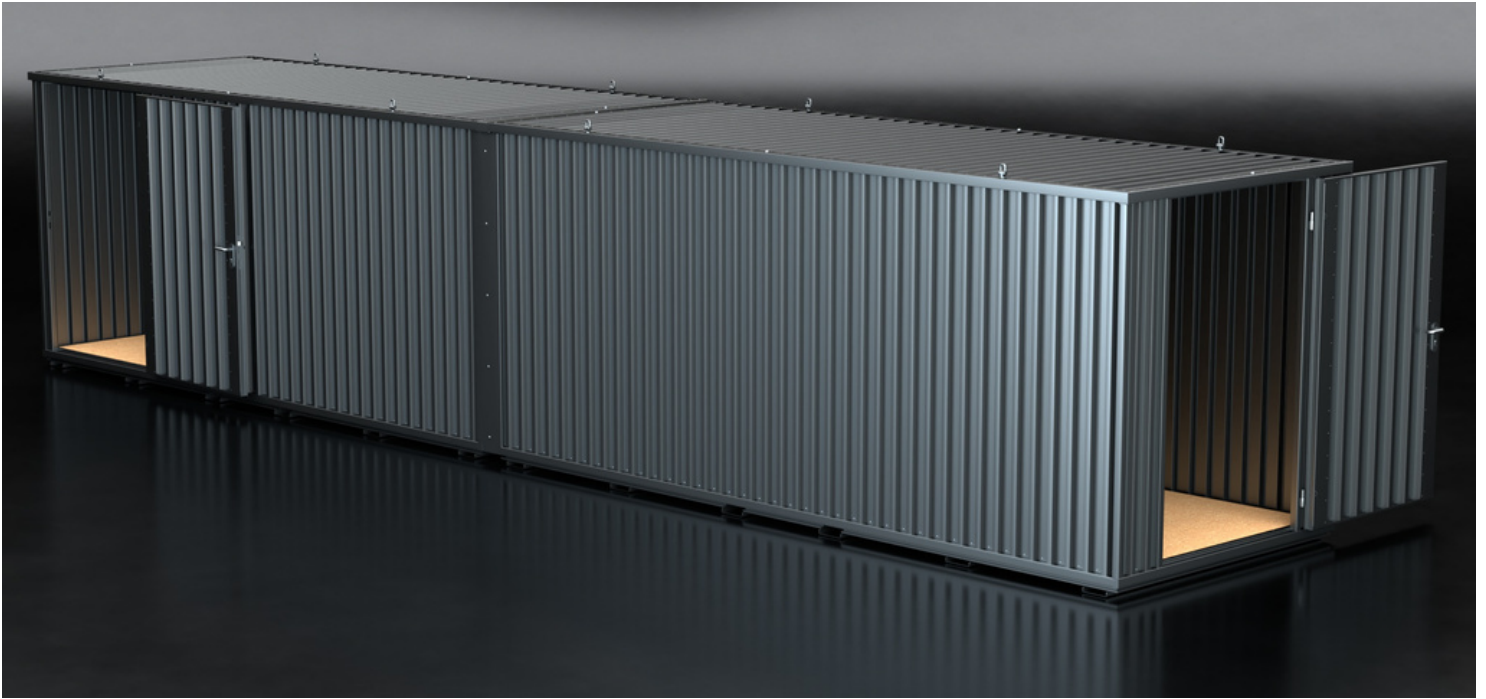


PRODUCT CODE:5050.110.450.320

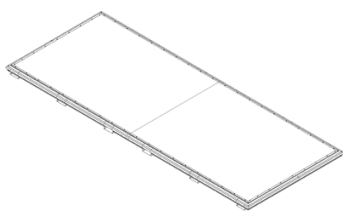
**prefabase**  
Quick Build Solutions

Instructions and User Guide



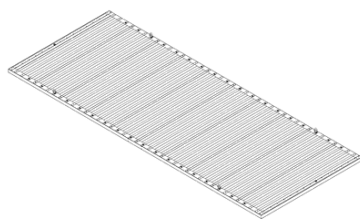
50.0110

2x



50.0510

2x



306.0110

1x



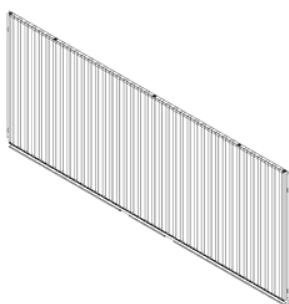
306.0510

1x



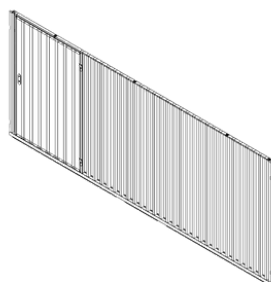
50.0410

3x



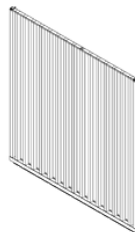
50.0450

1x



0310

1x



0320

1x



306.40.05

2x



306.40.04

2x



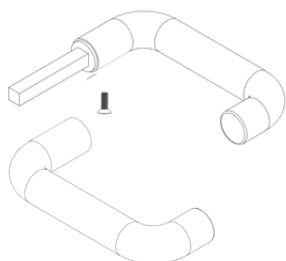
61.101

4x



24x

2x



10x



10x



10x



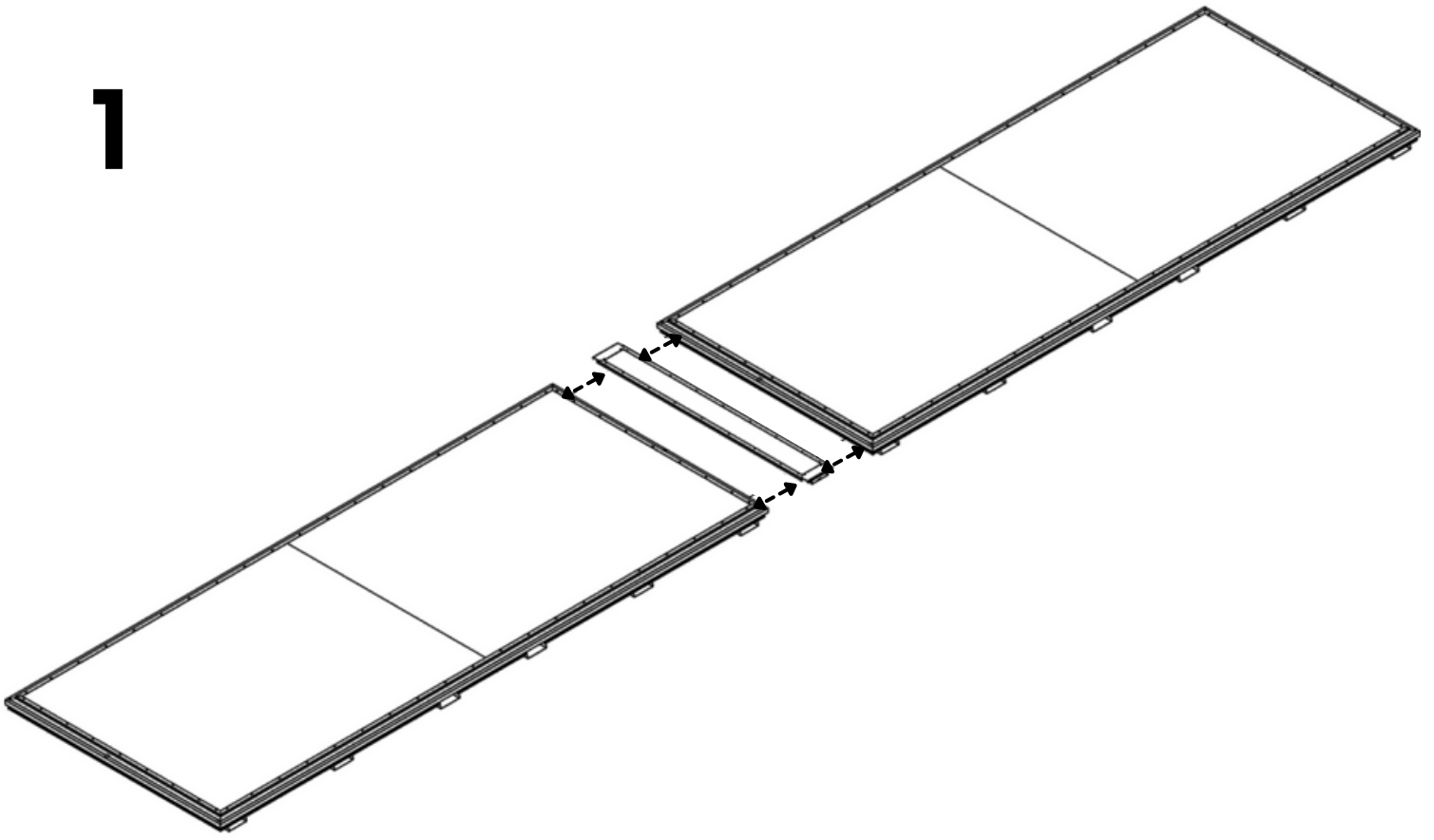
1x



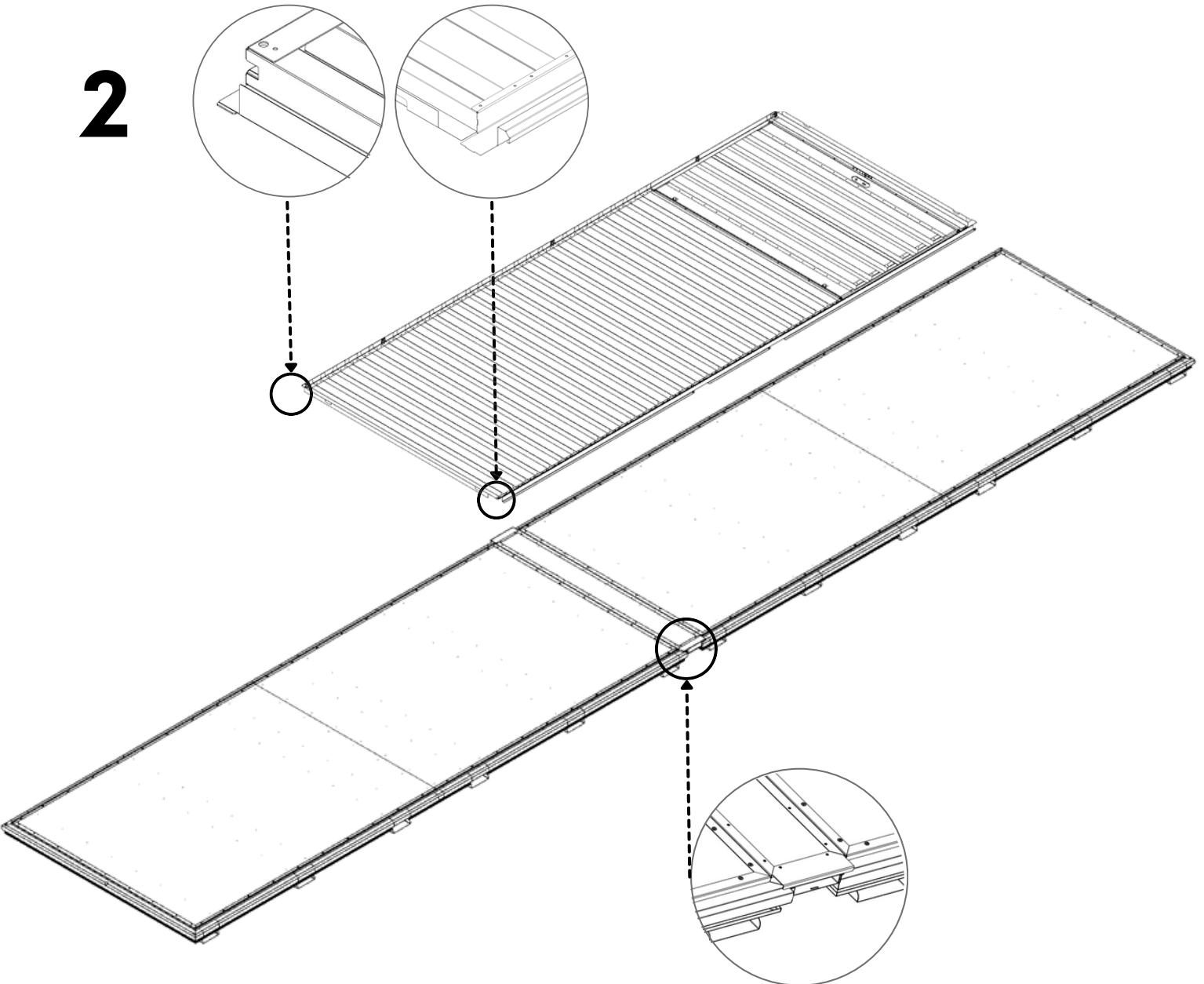
2x

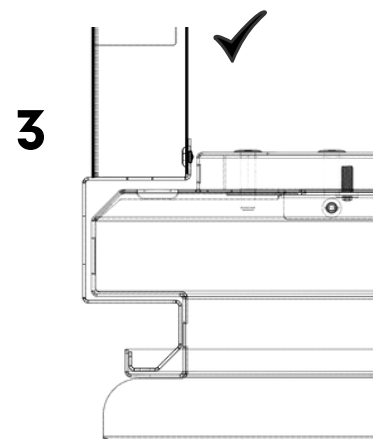
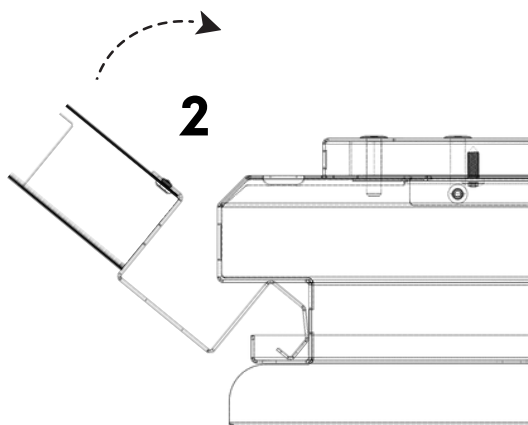
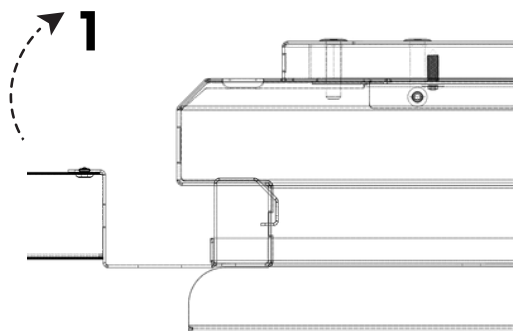


**1**

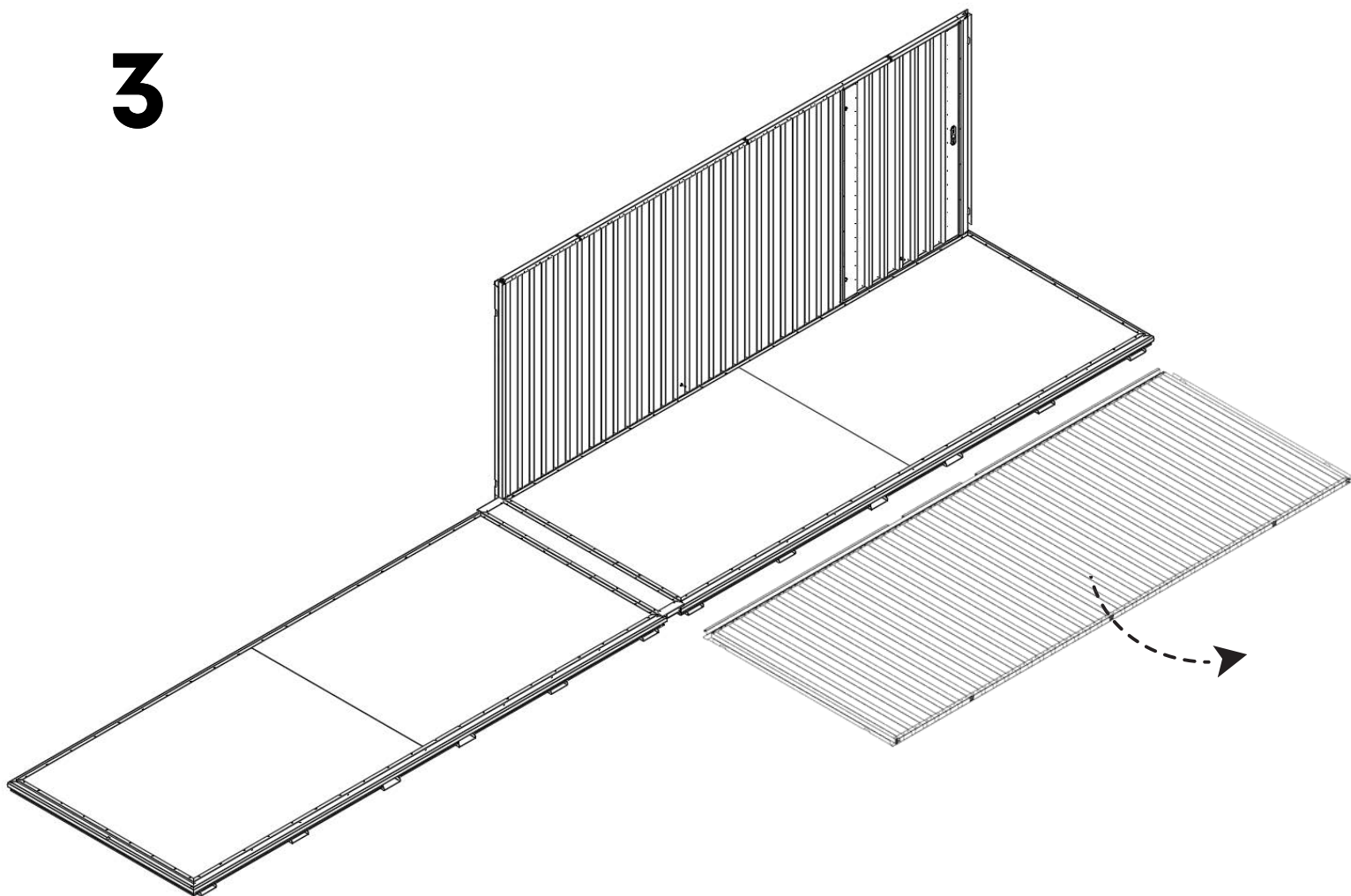


**2**



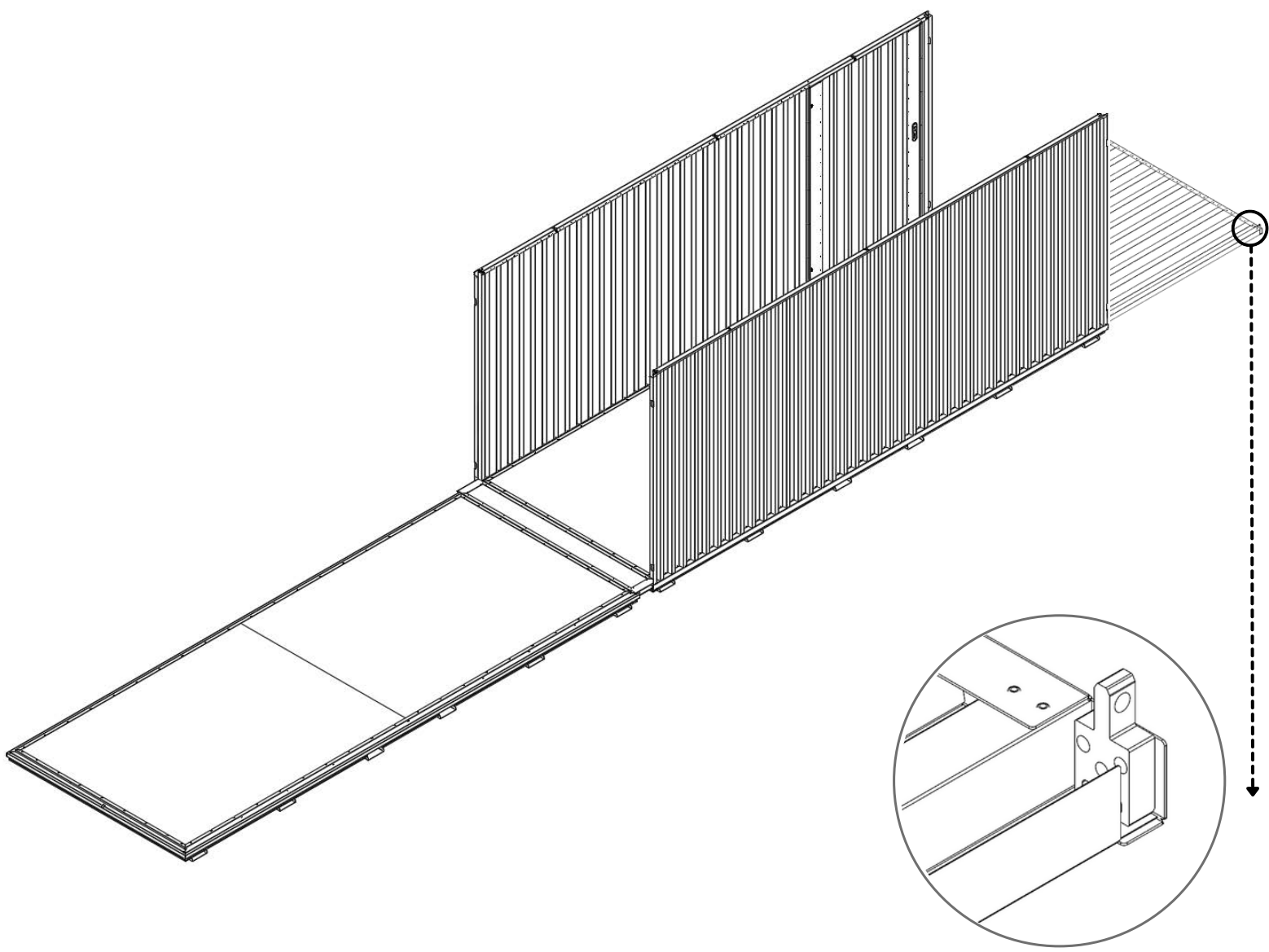


**3**

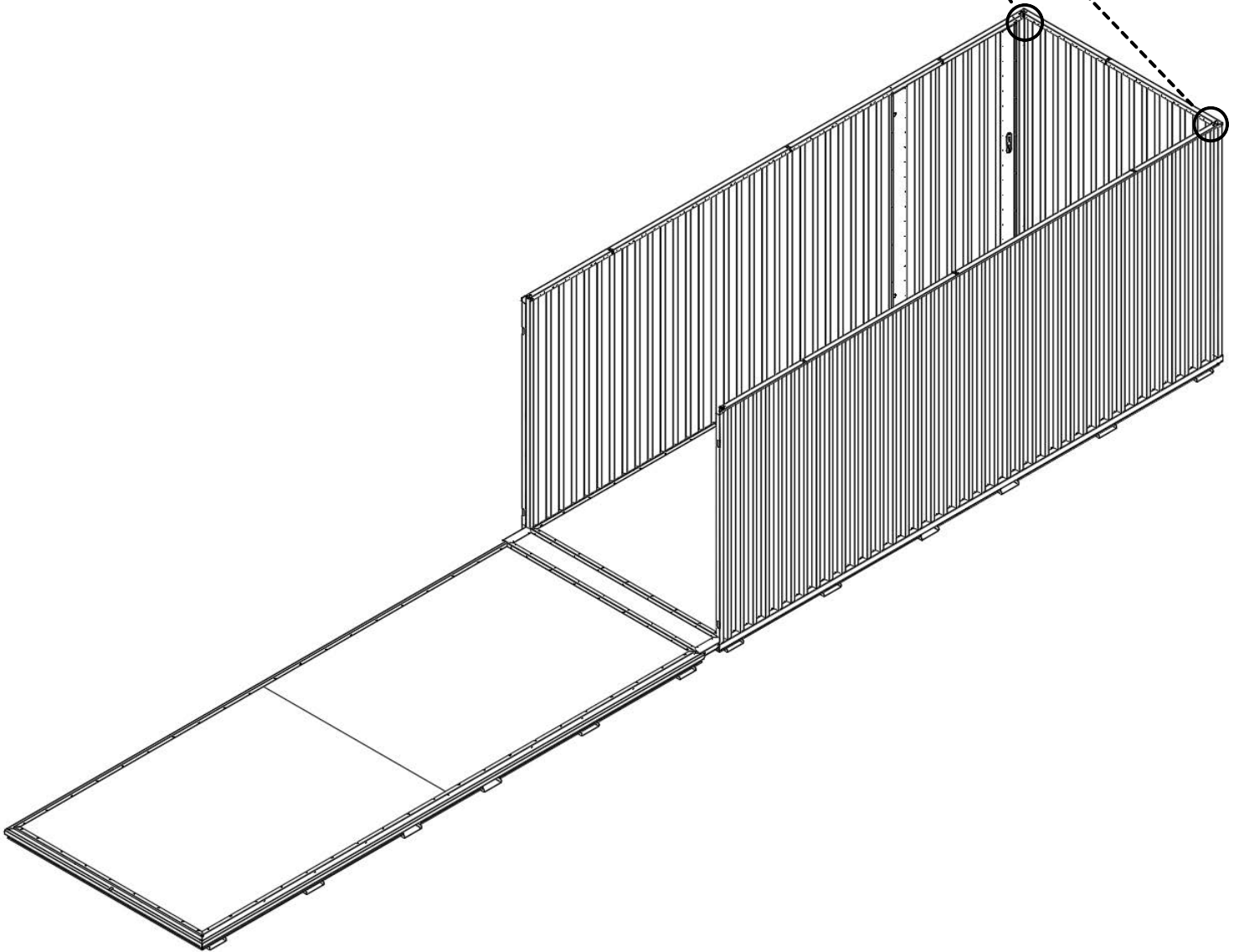
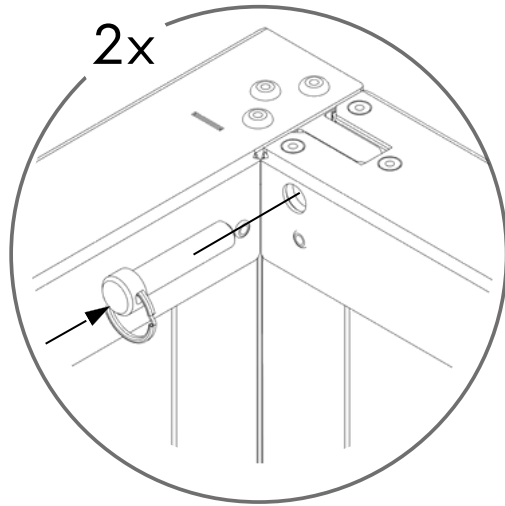




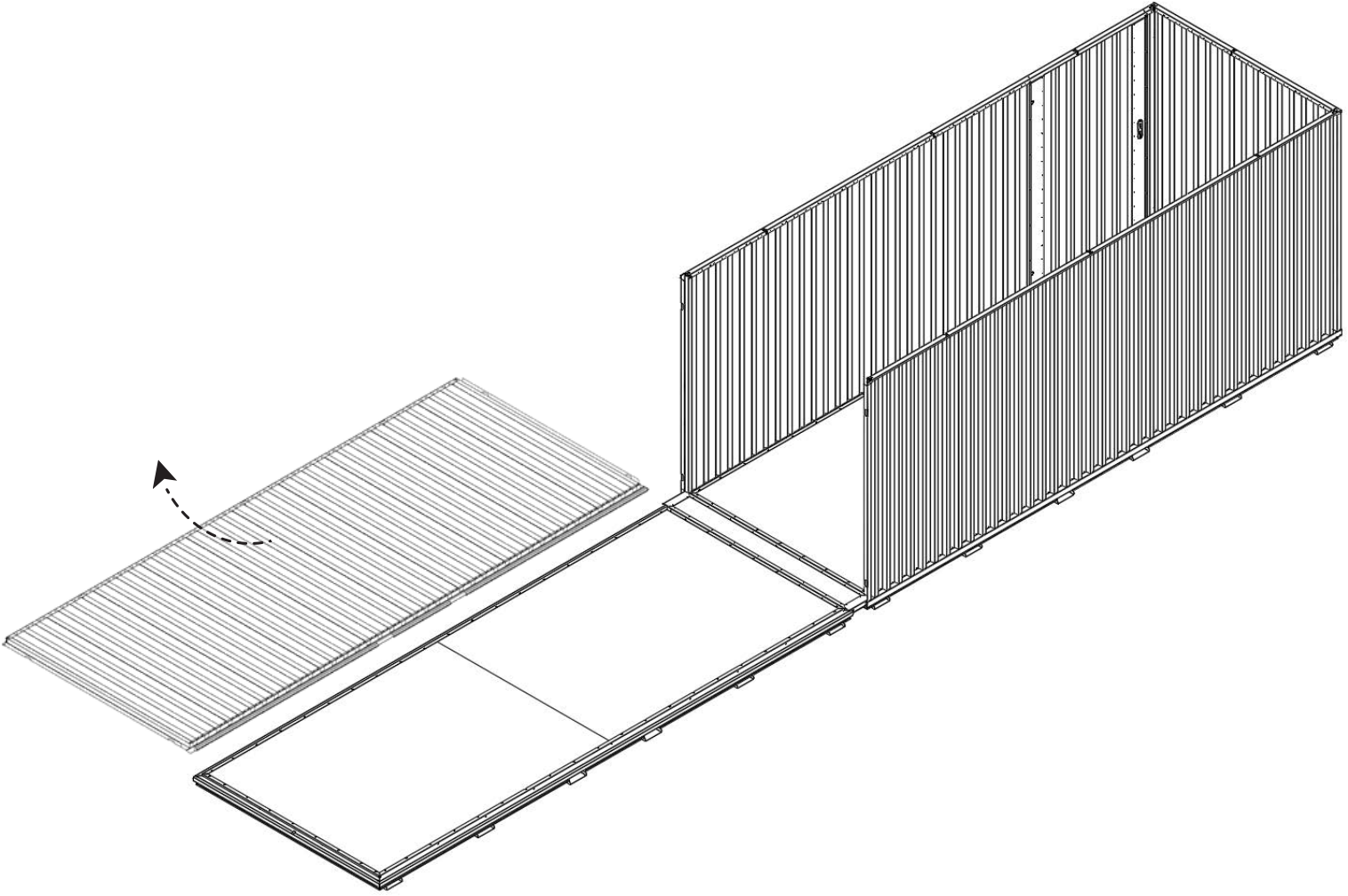
4



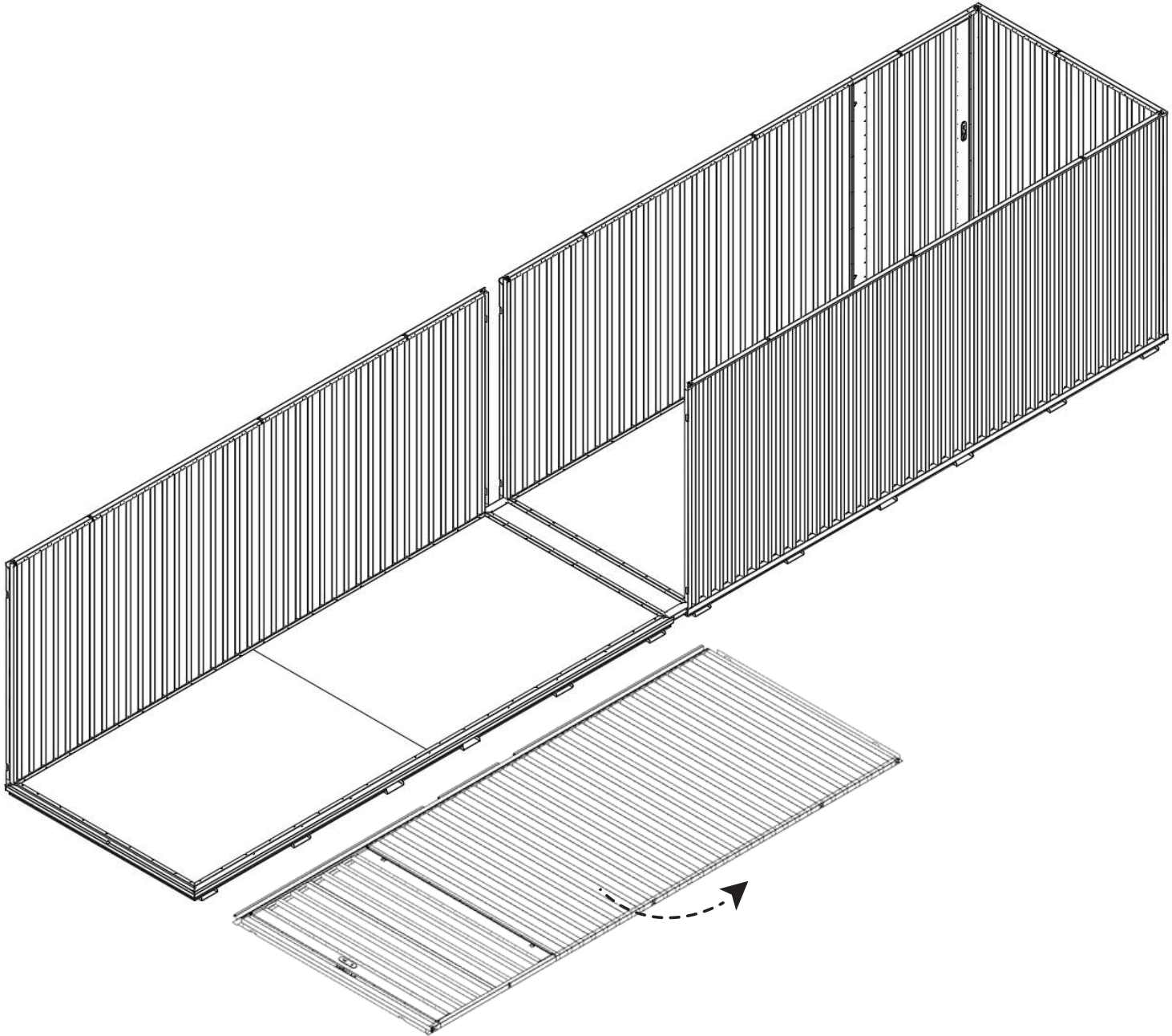
# 4.1



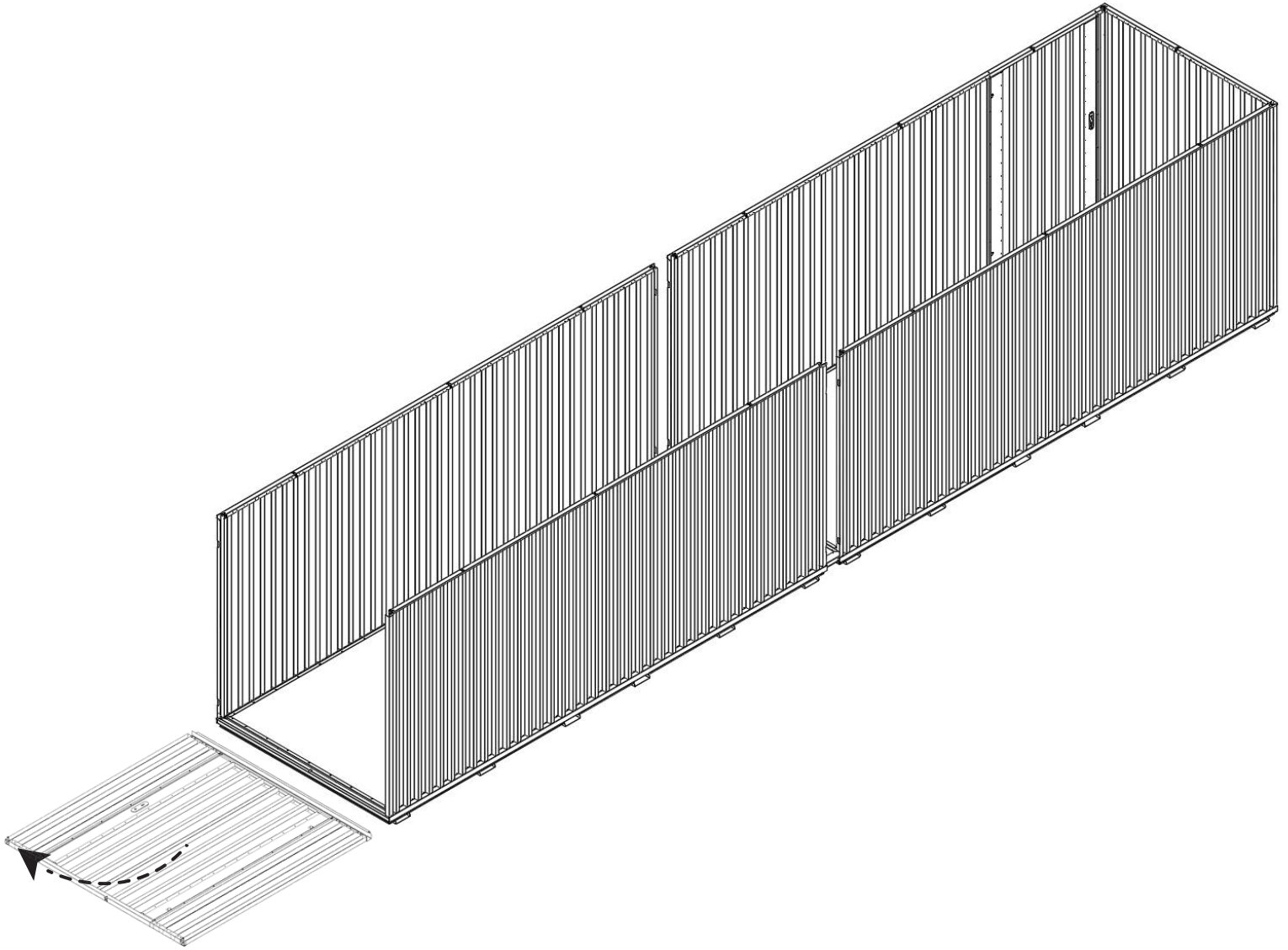
5



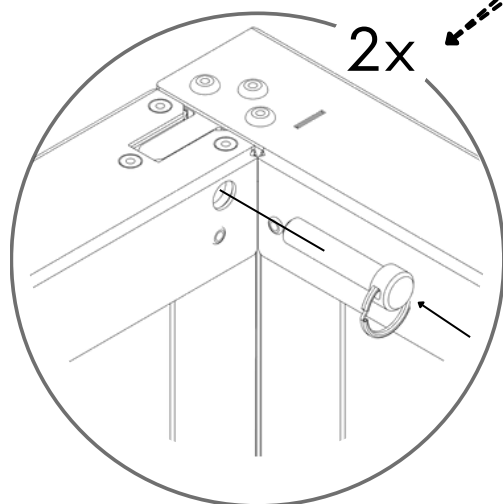
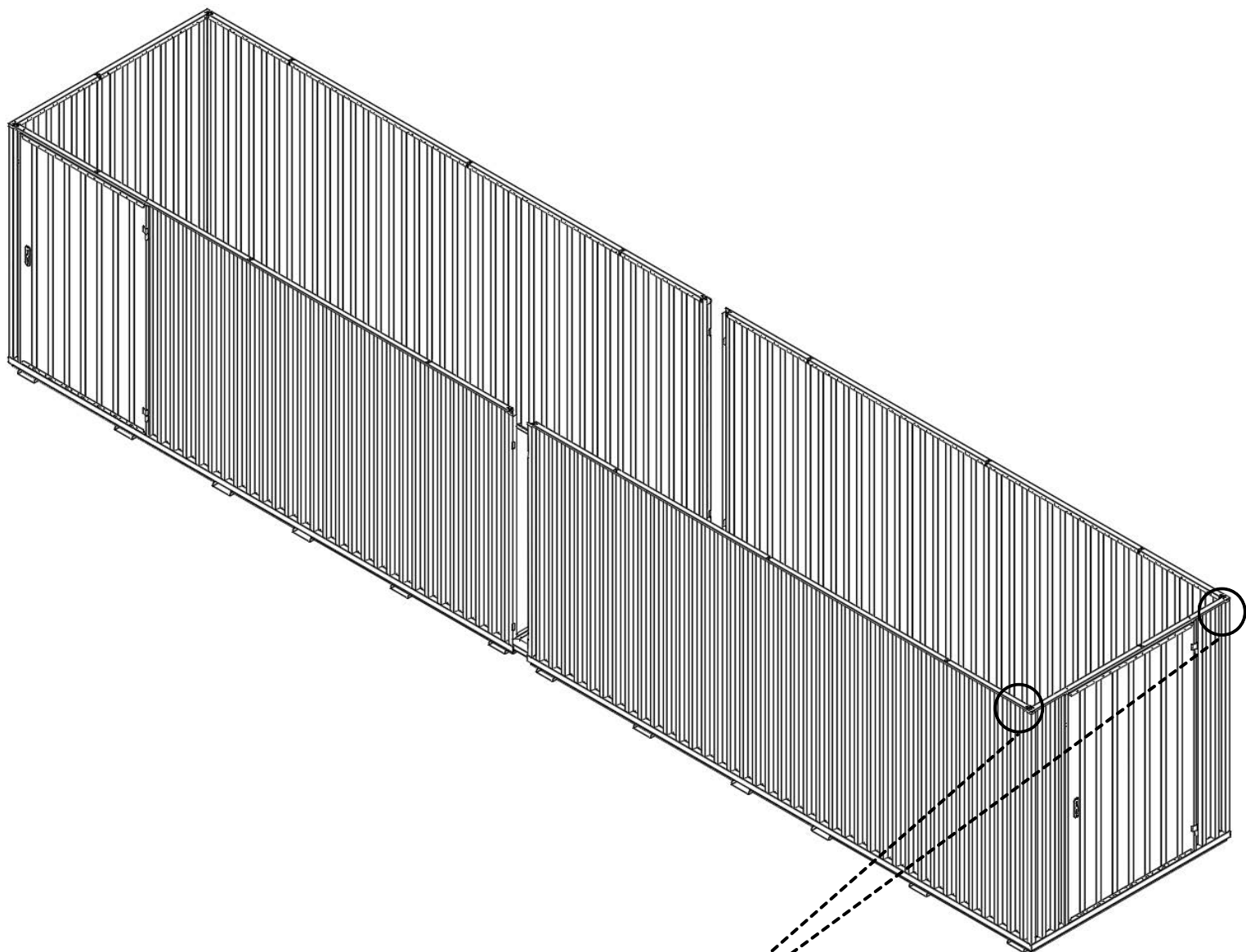
6



7

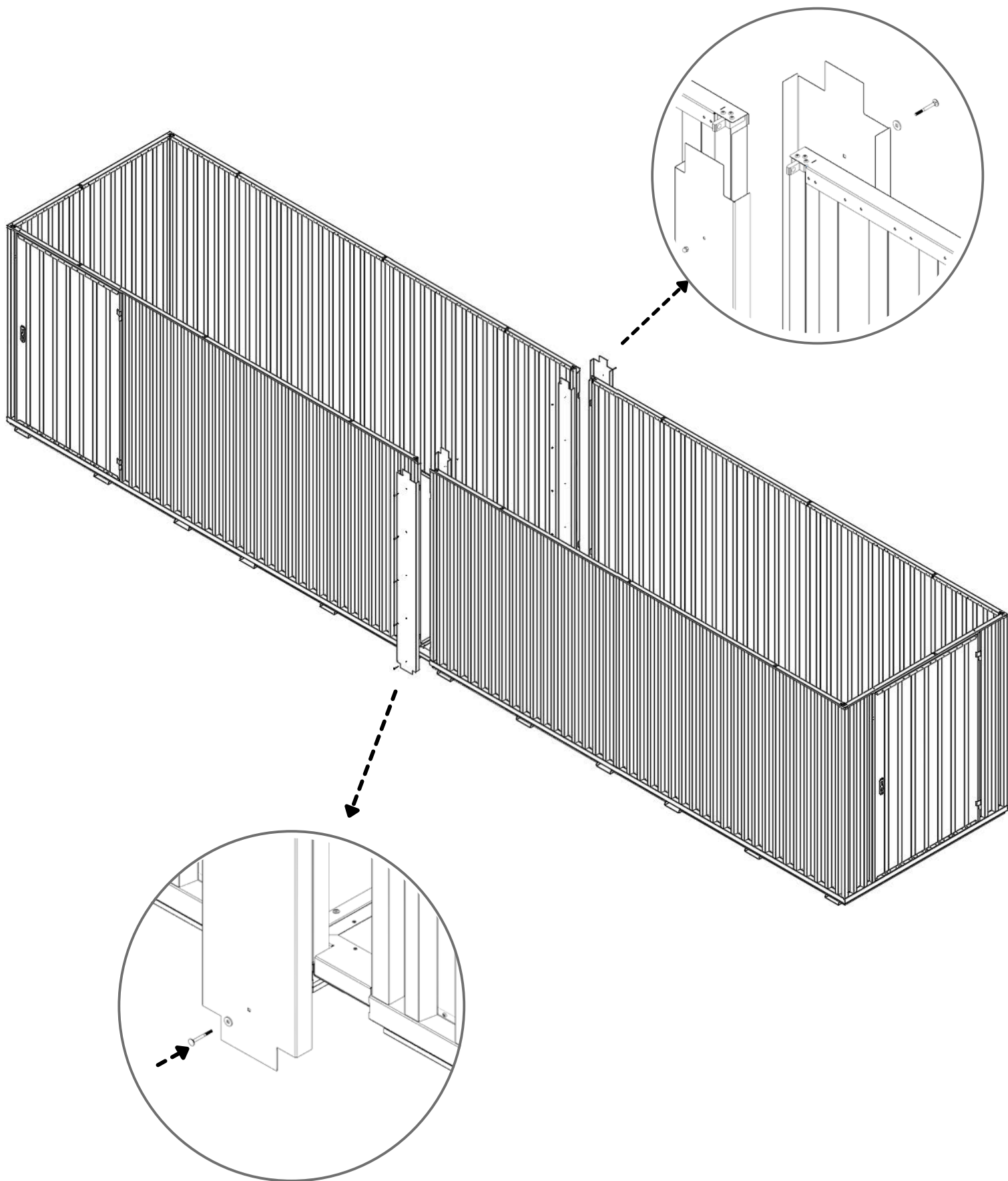


# 7.1

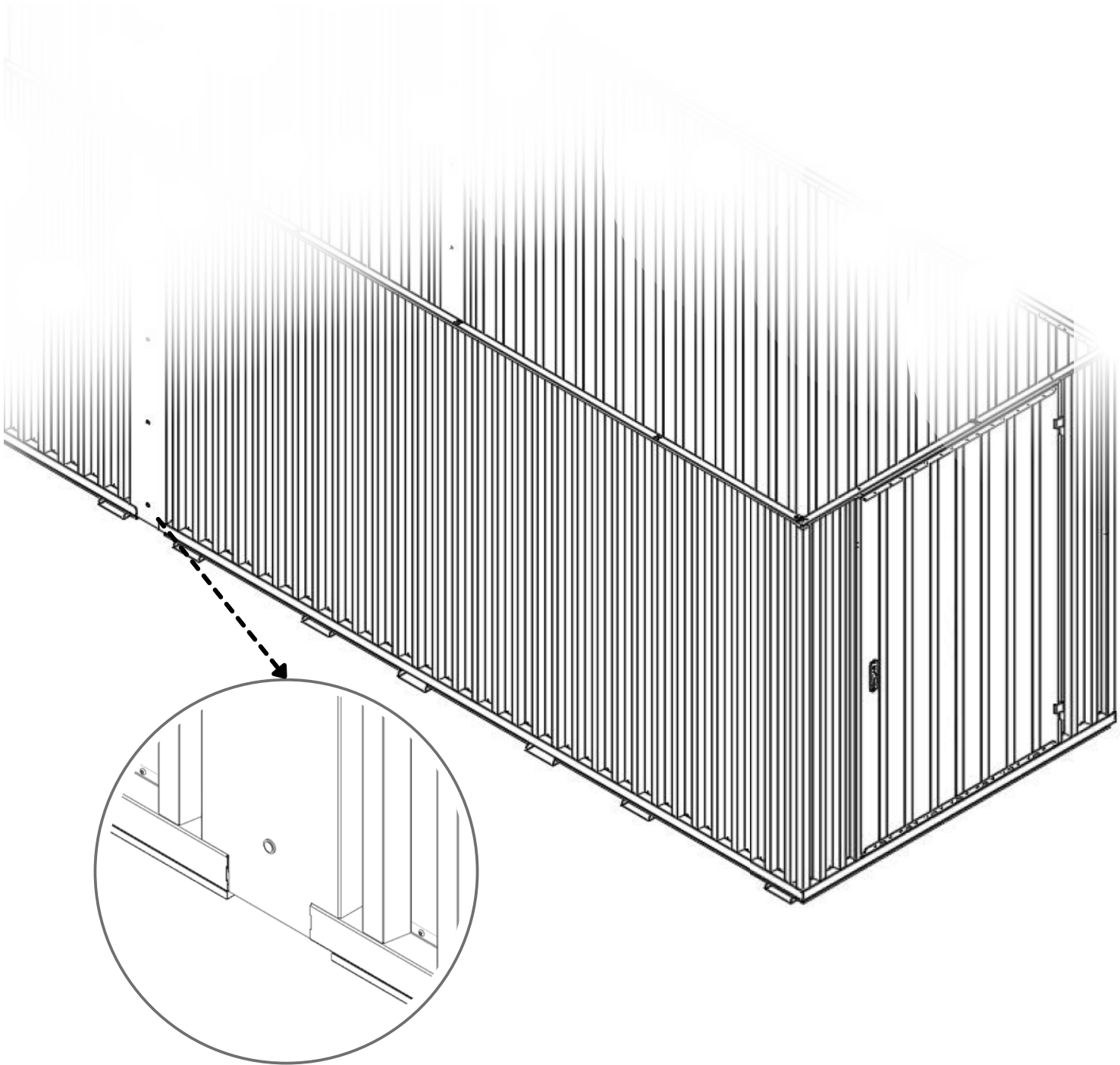




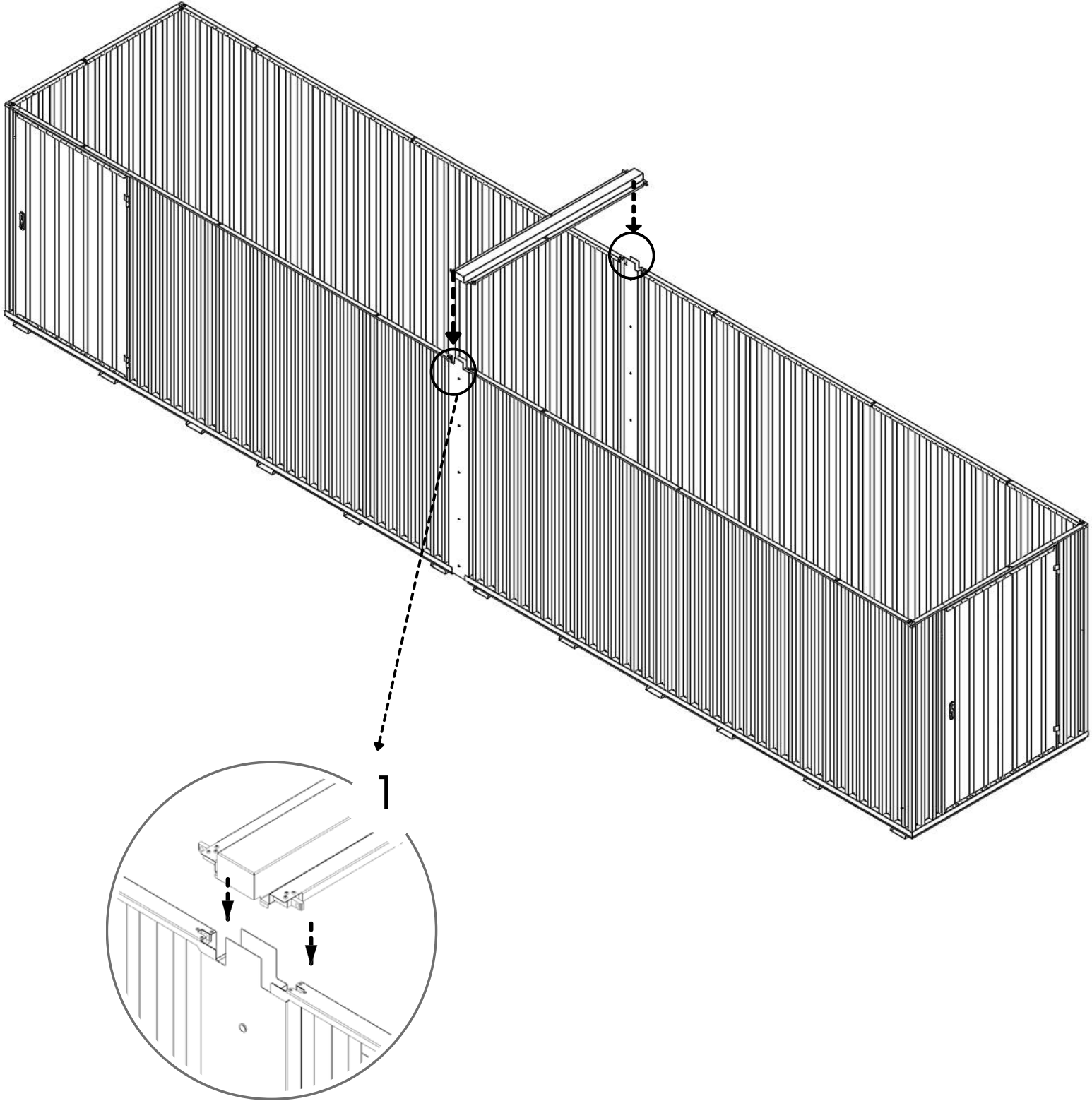
8



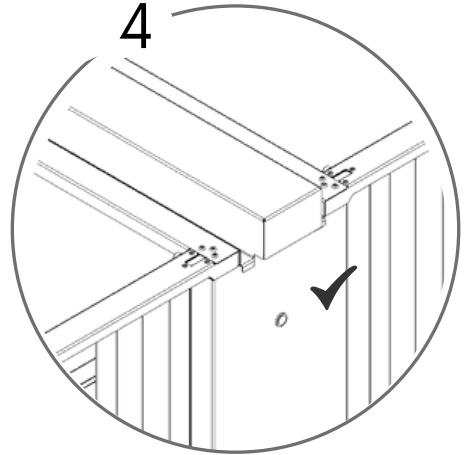
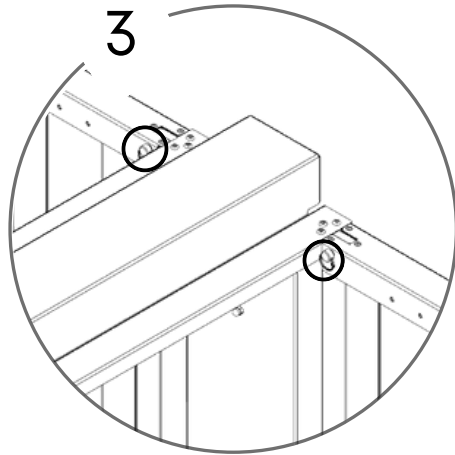
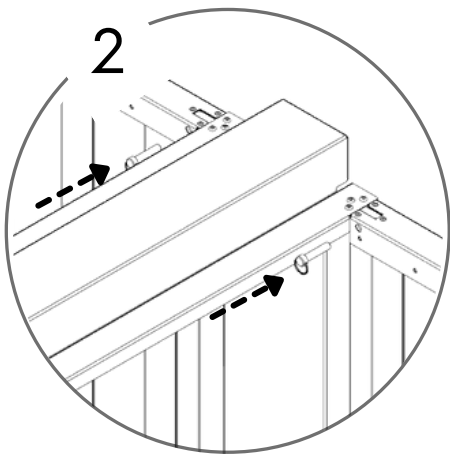
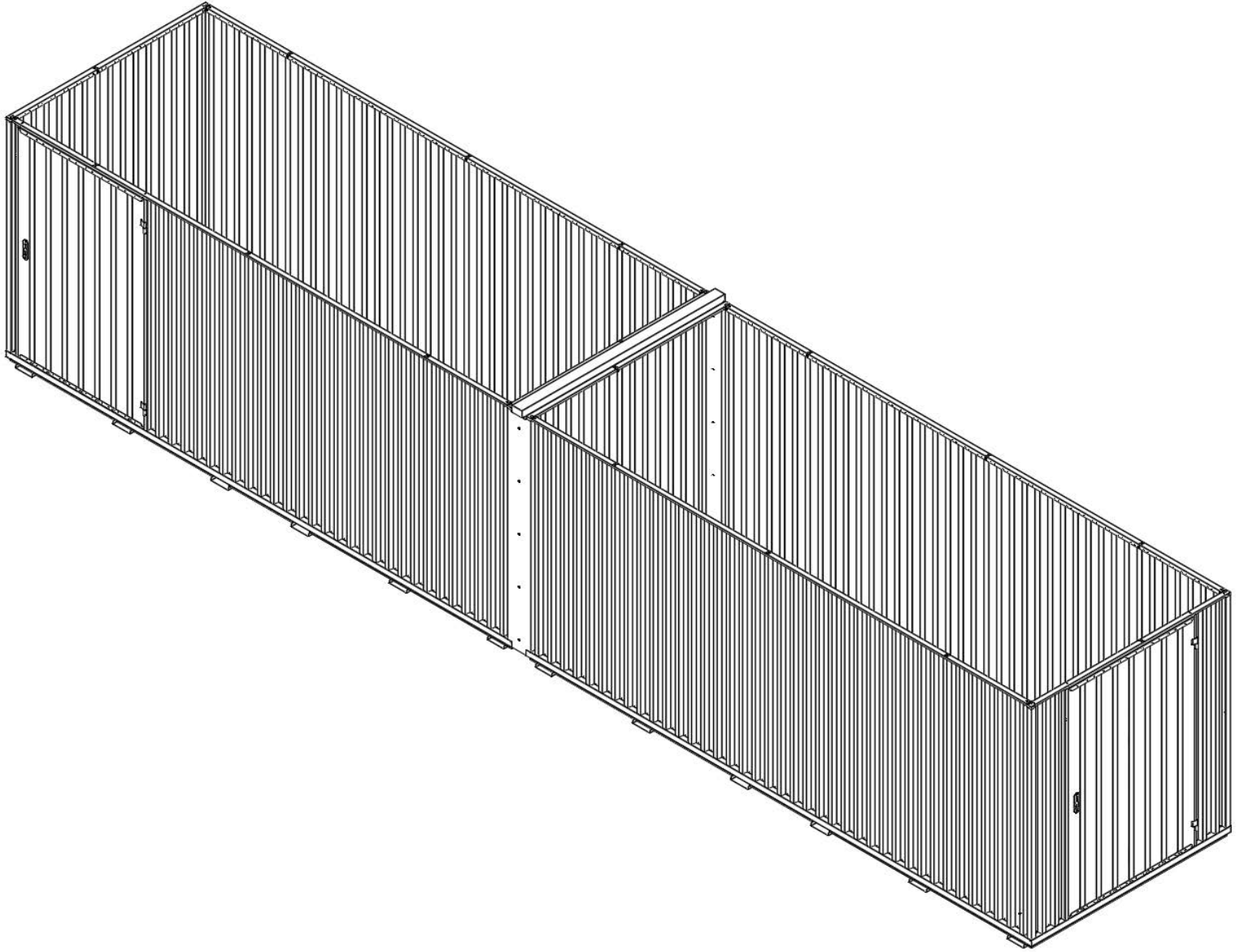
9











# 10

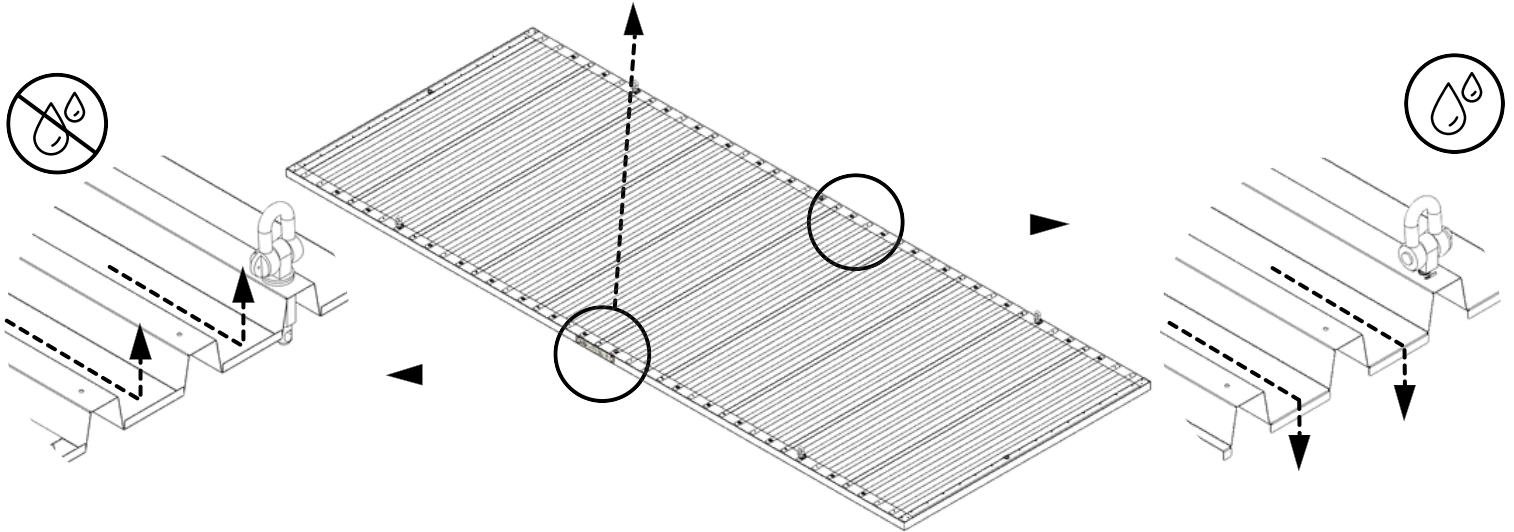


# 11

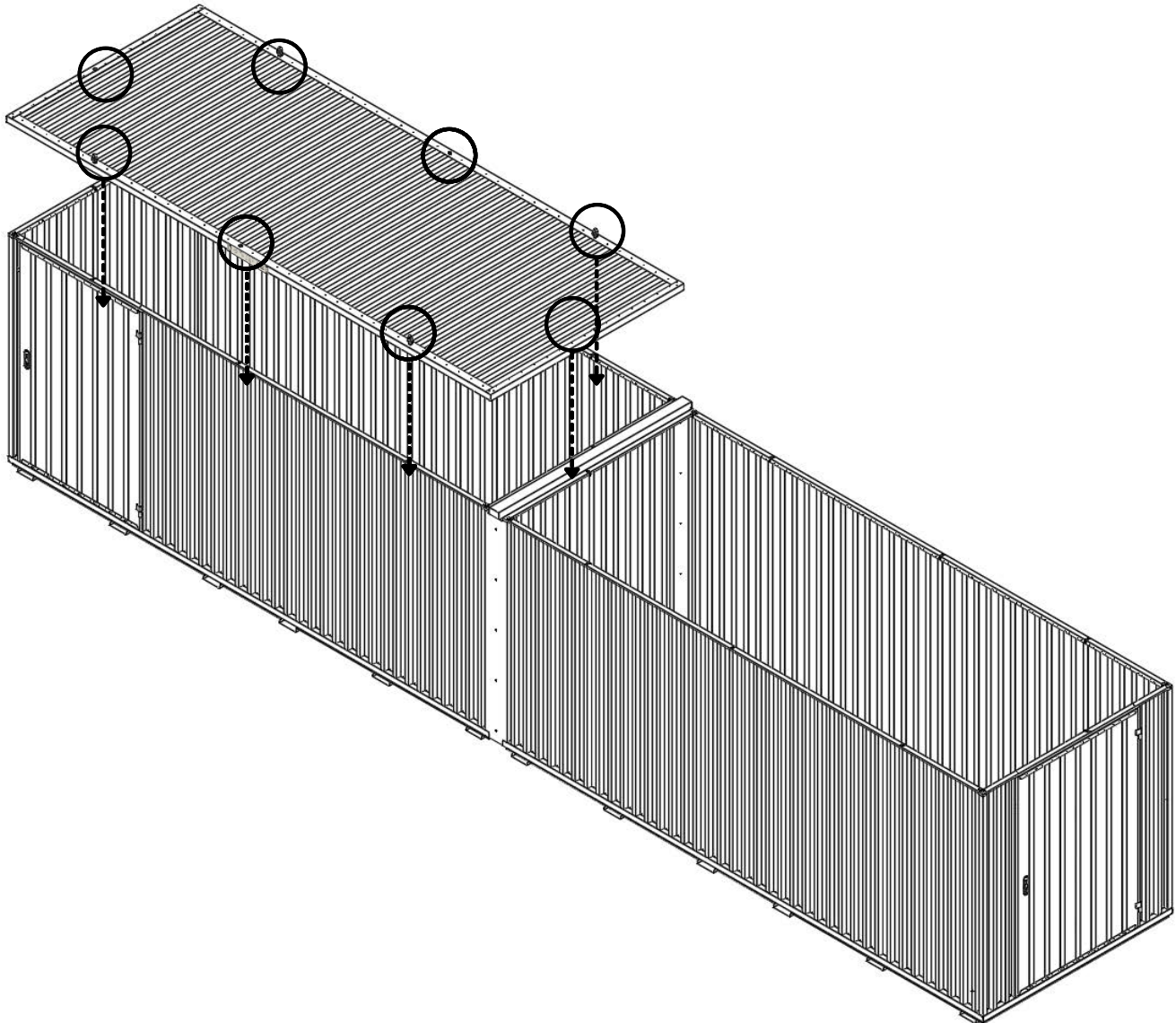




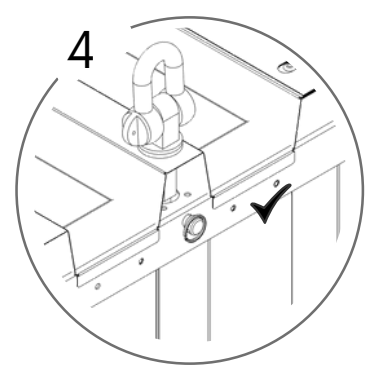
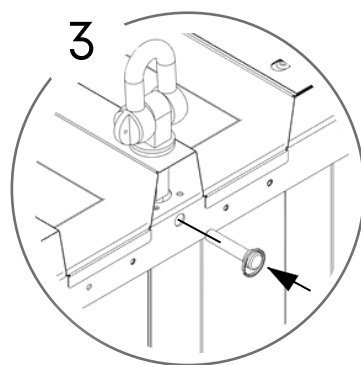
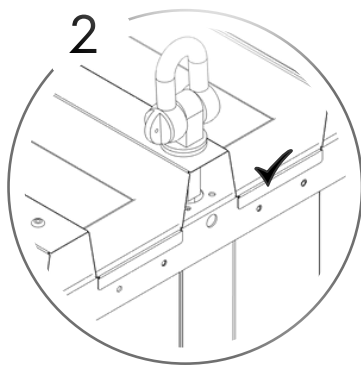
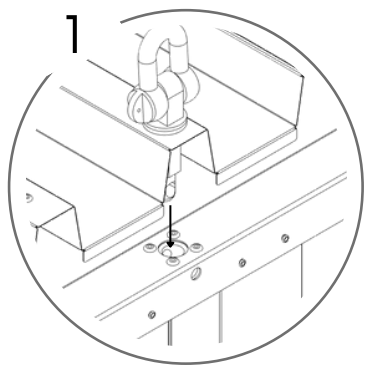
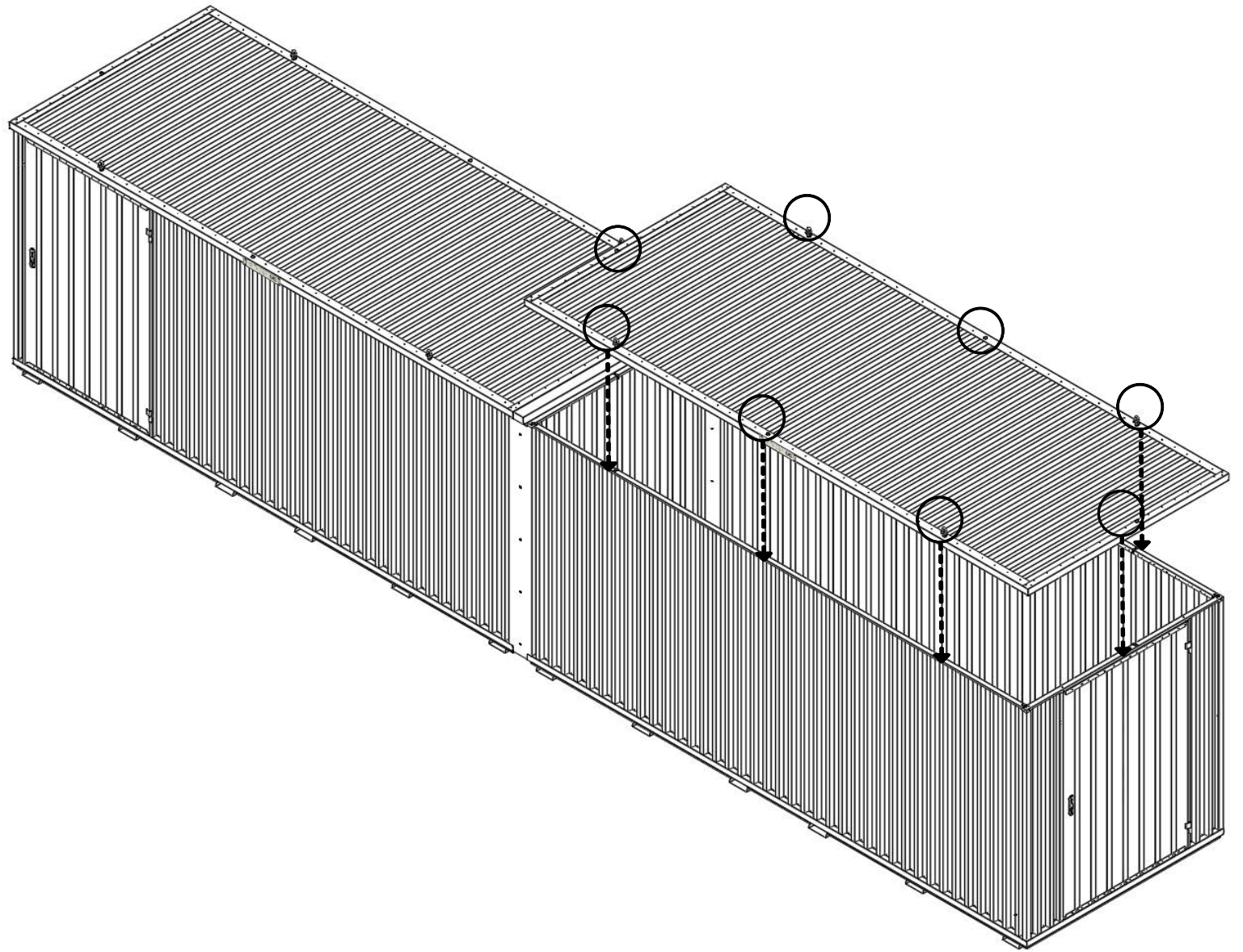
 954 KG	 1640 MM	Model Code: 5050.110.450.320 Production Tracking Code: ...../X09.1.5050.450.320	 9001	 14001	 50001			
---	--	---	---	--	--	---	---	---



12

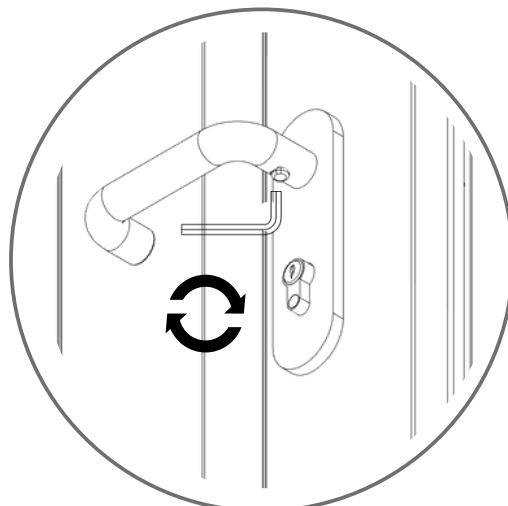
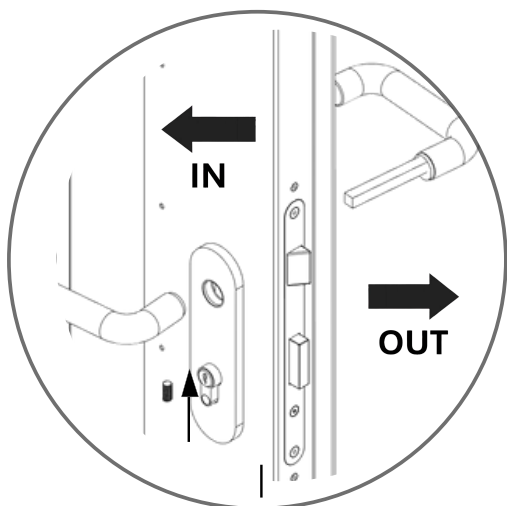
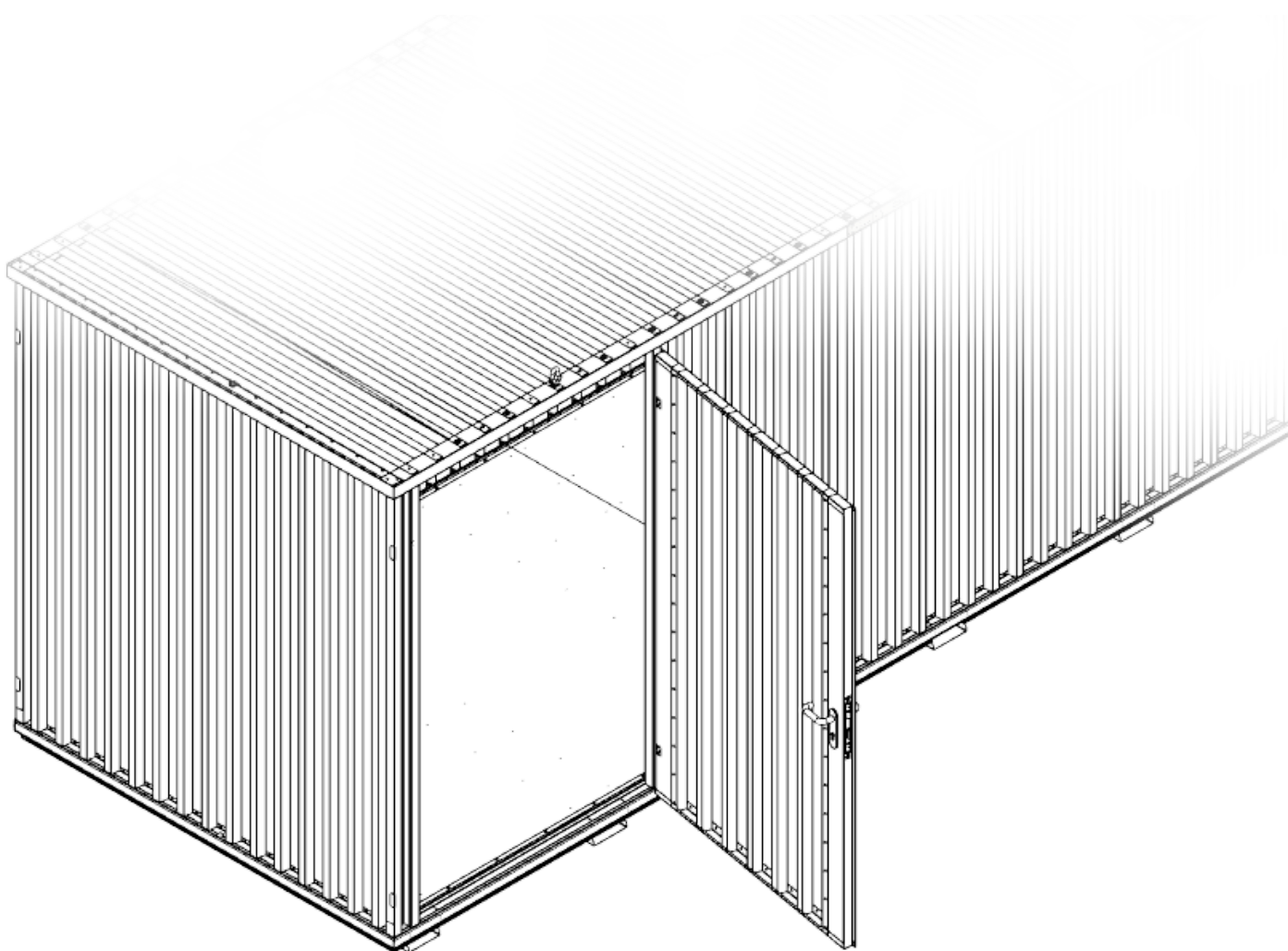


# 13





# 14



15

