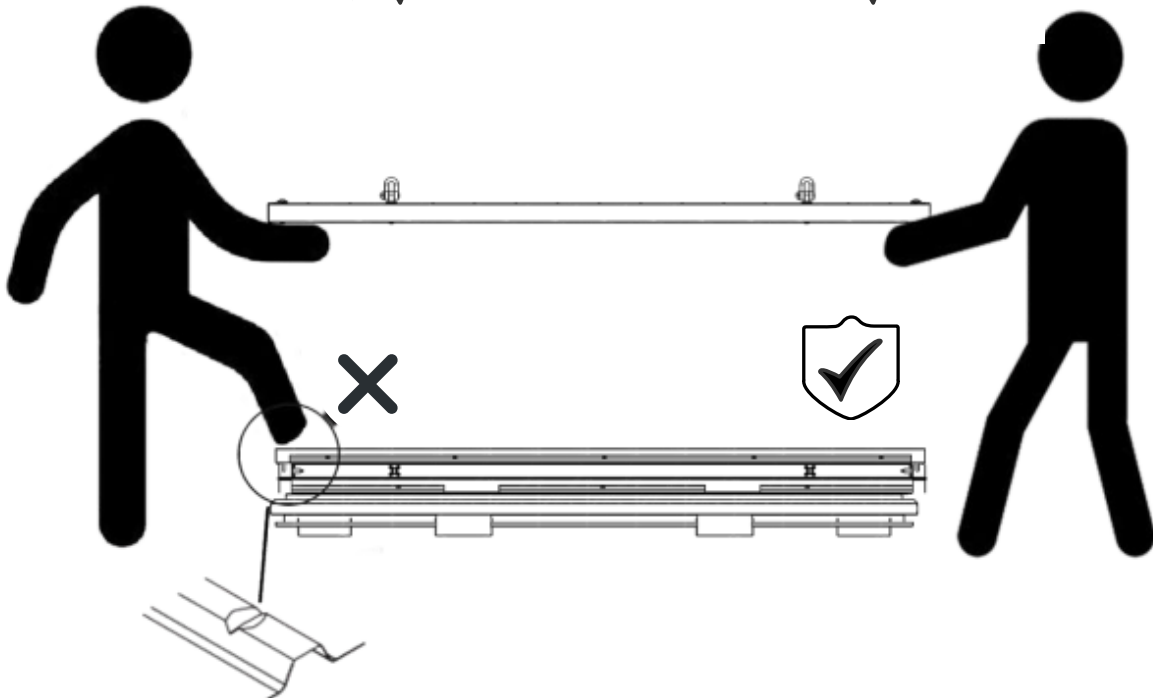
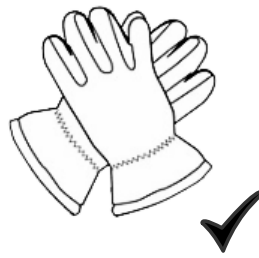
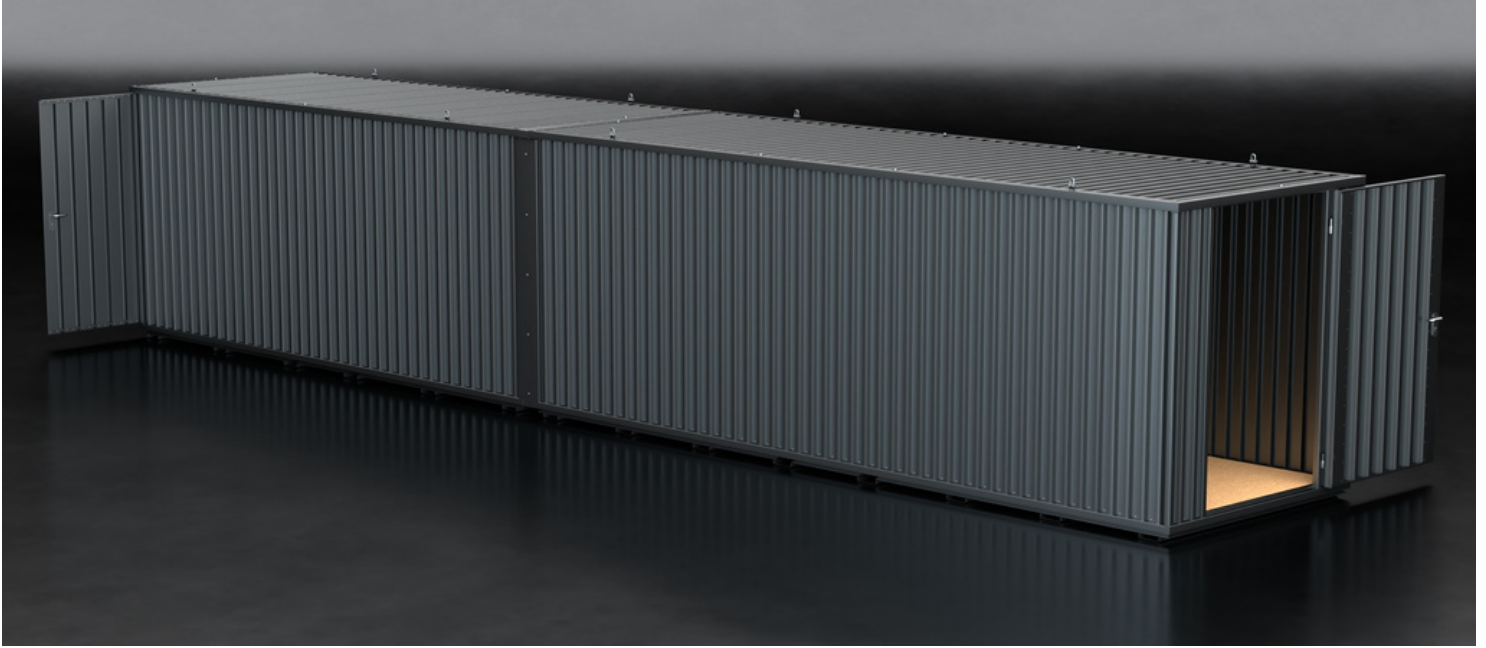


PRODUCT CODE:6050.110.320.321

prefabase
Quick Build Solutions

Instructions and User Guide



60.0110

1x

50.0110

1x

60.0510

1x

50.0510

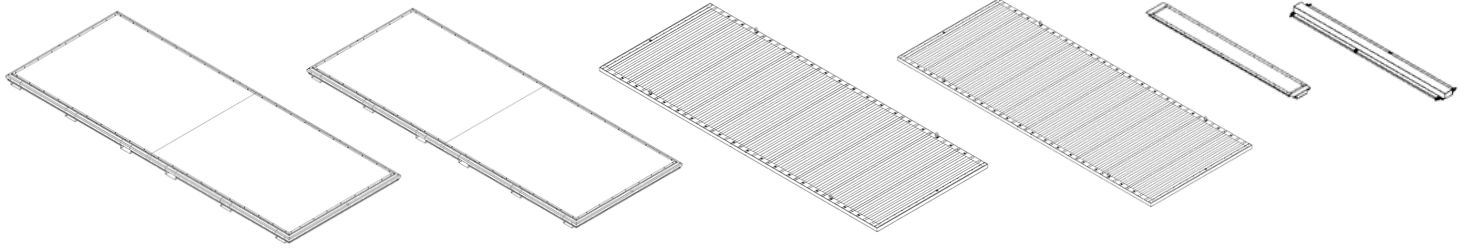
1x

306.0110

1x

306.0510

1x



60.0410

2x

50.0410

2x

0320

2x

306.40.05

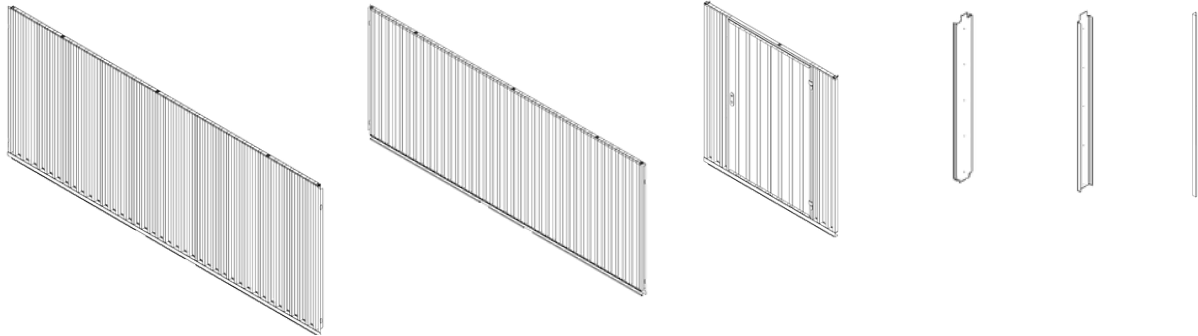
2x

306.40.04

2x

61.101

4x



26x

2x

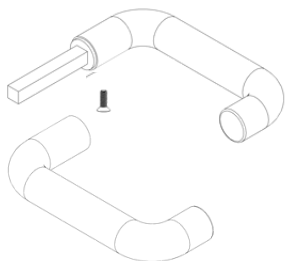
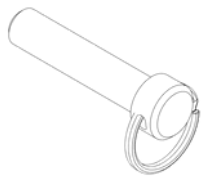
10x

10x

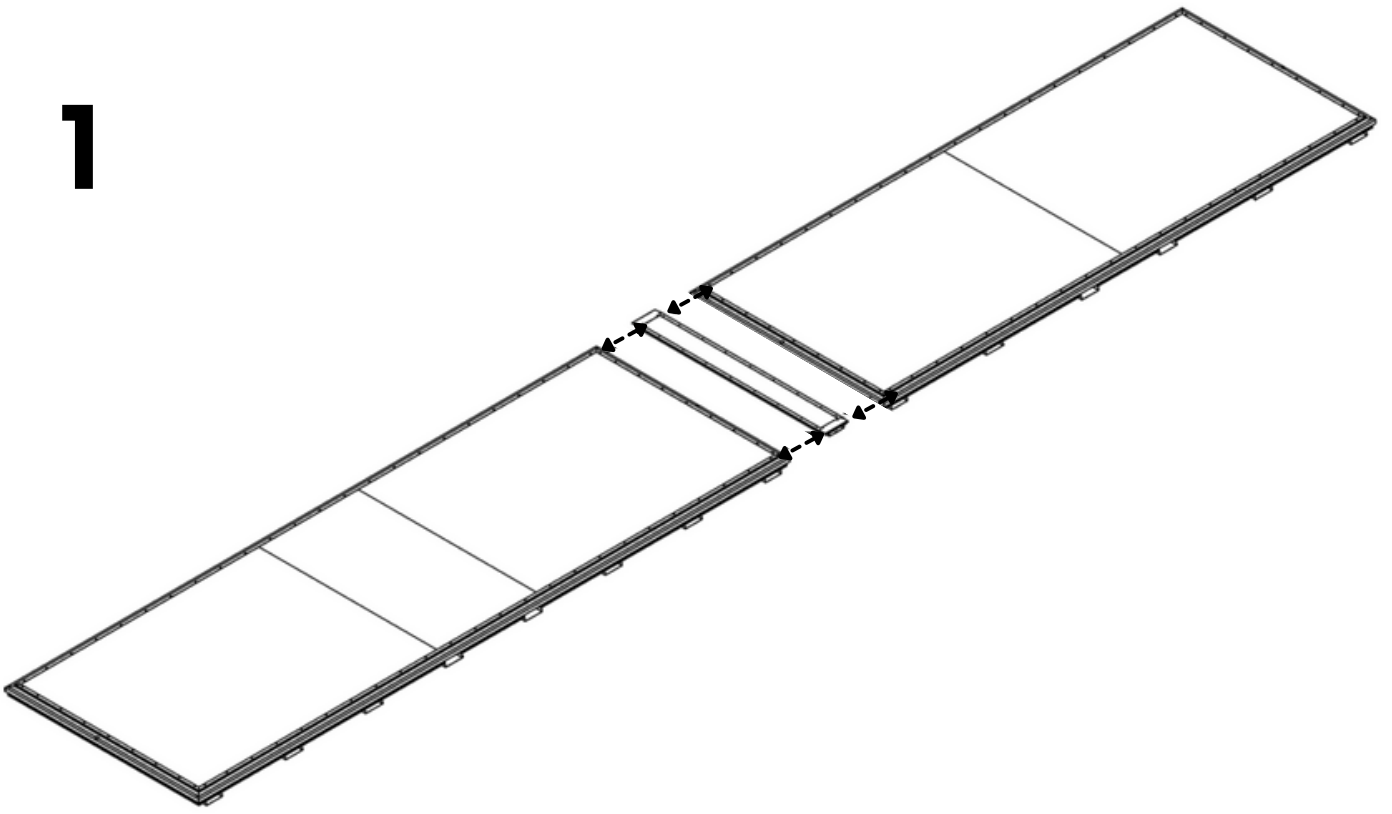
10x

1x

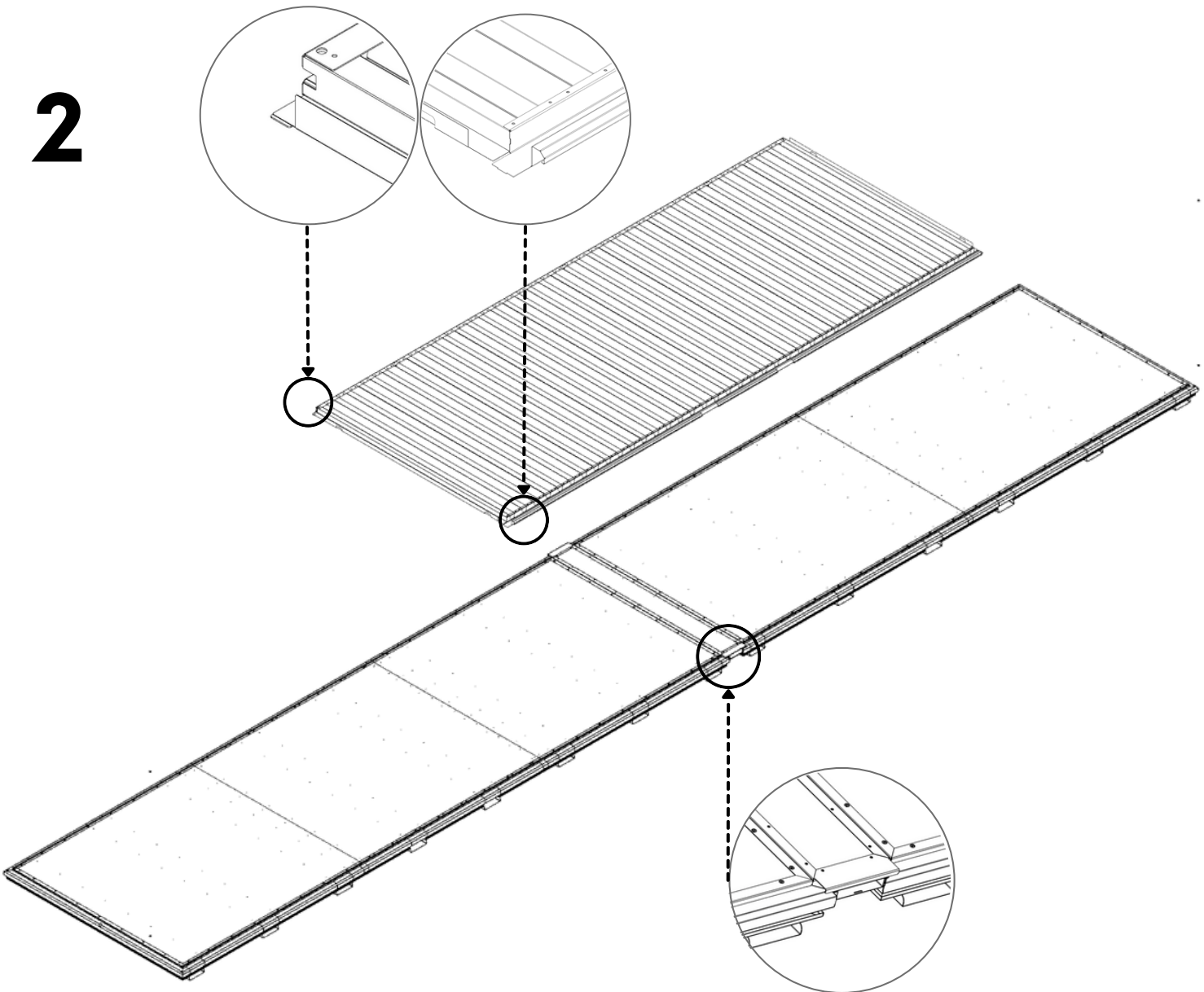
2x

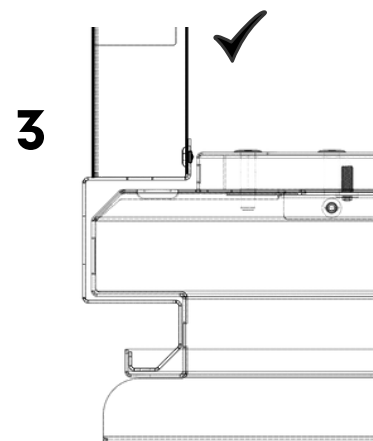
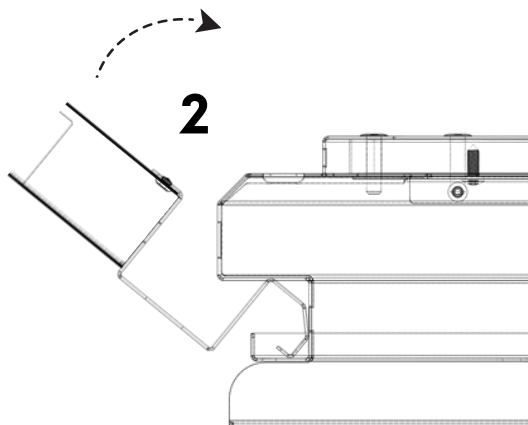
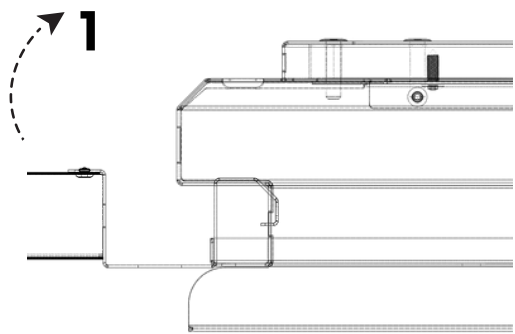


1

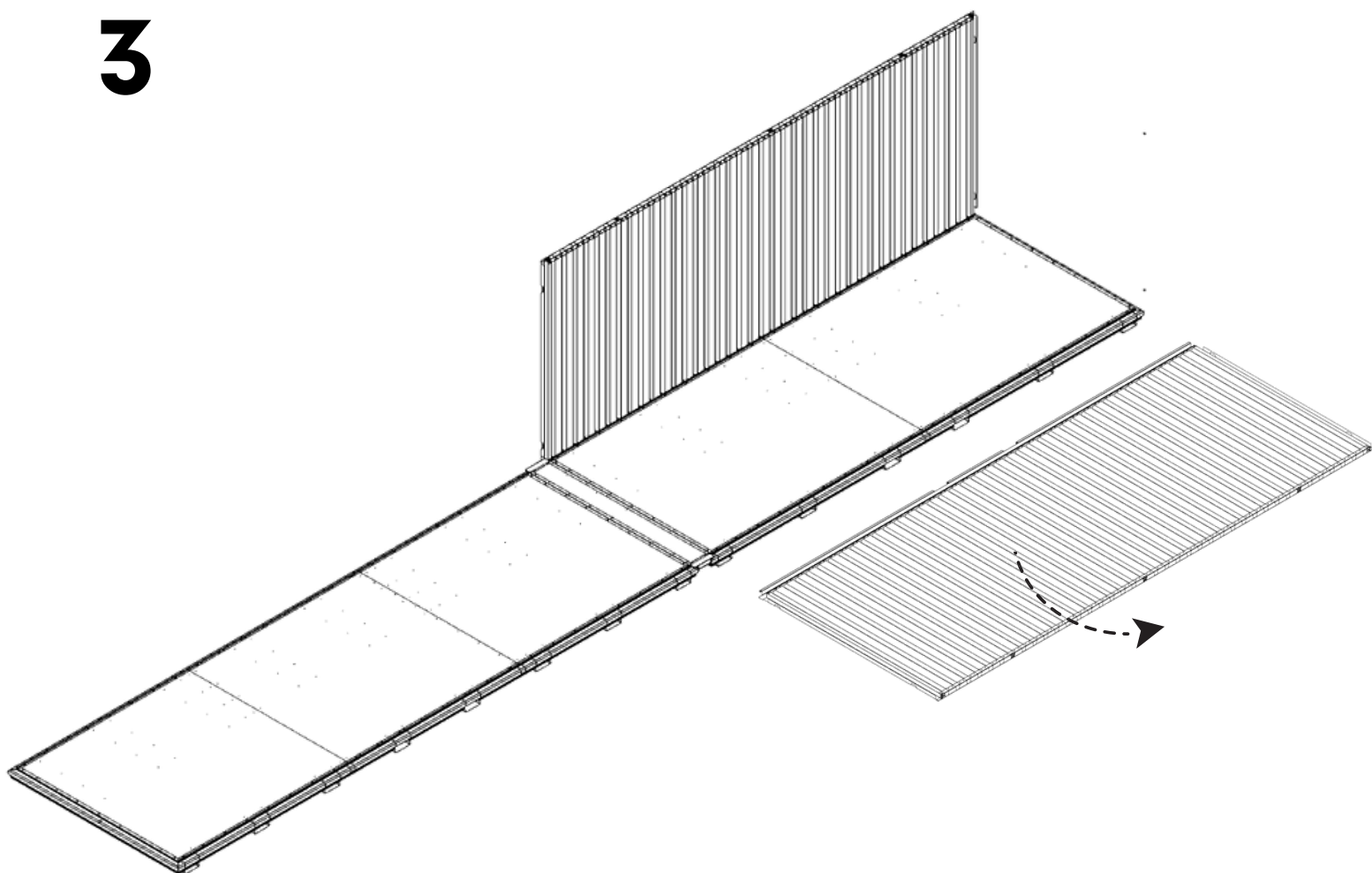


2

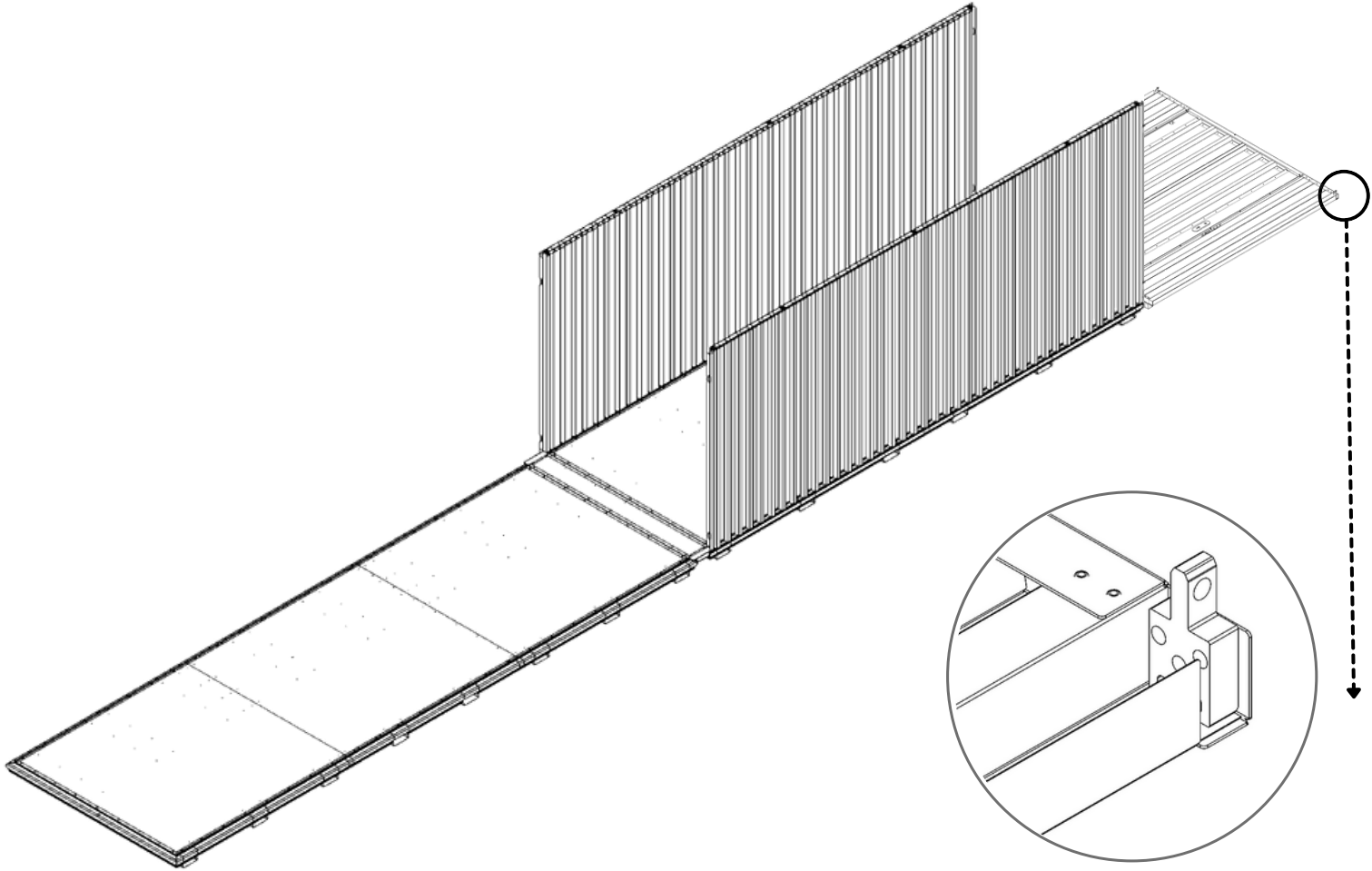




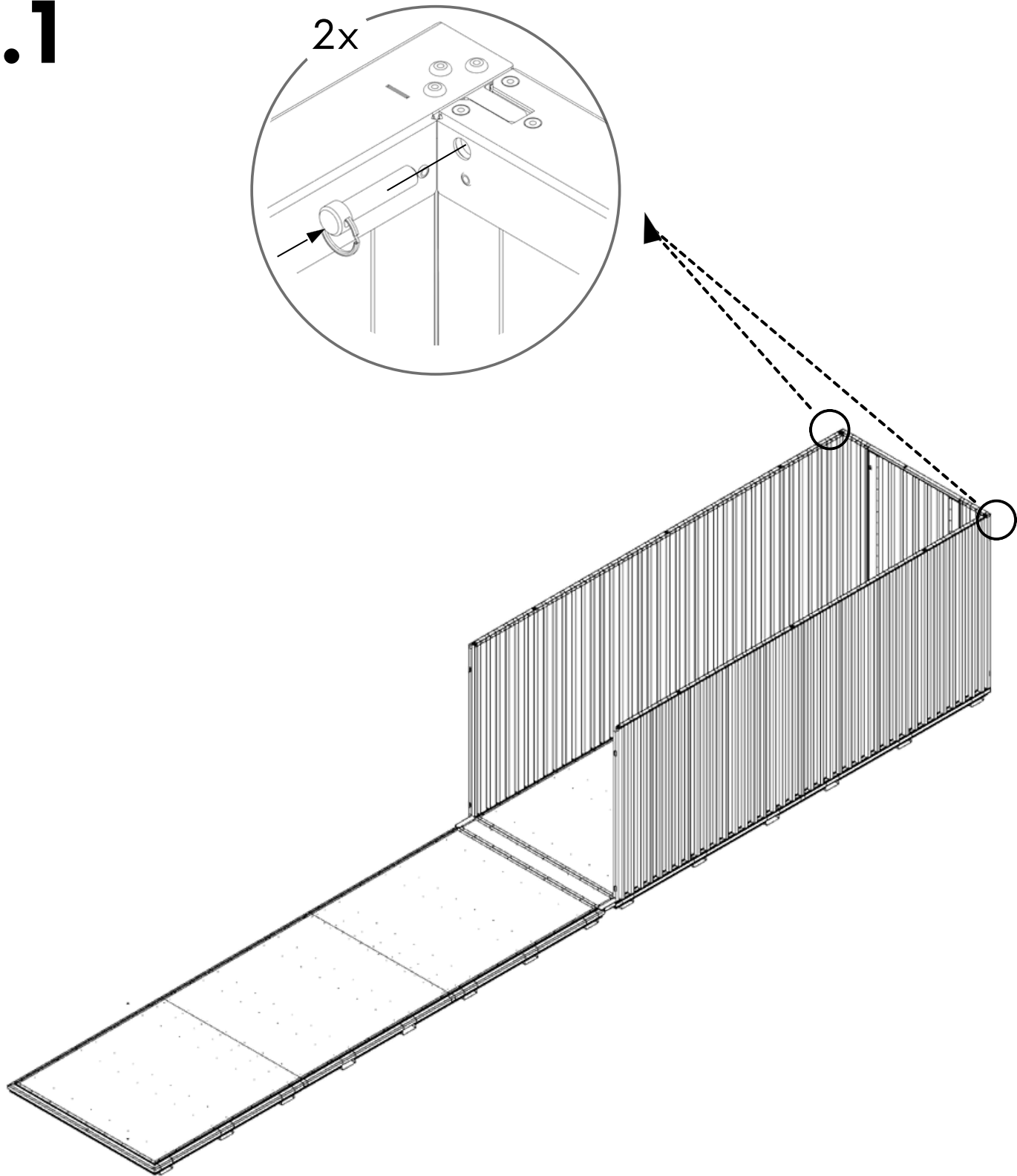
3



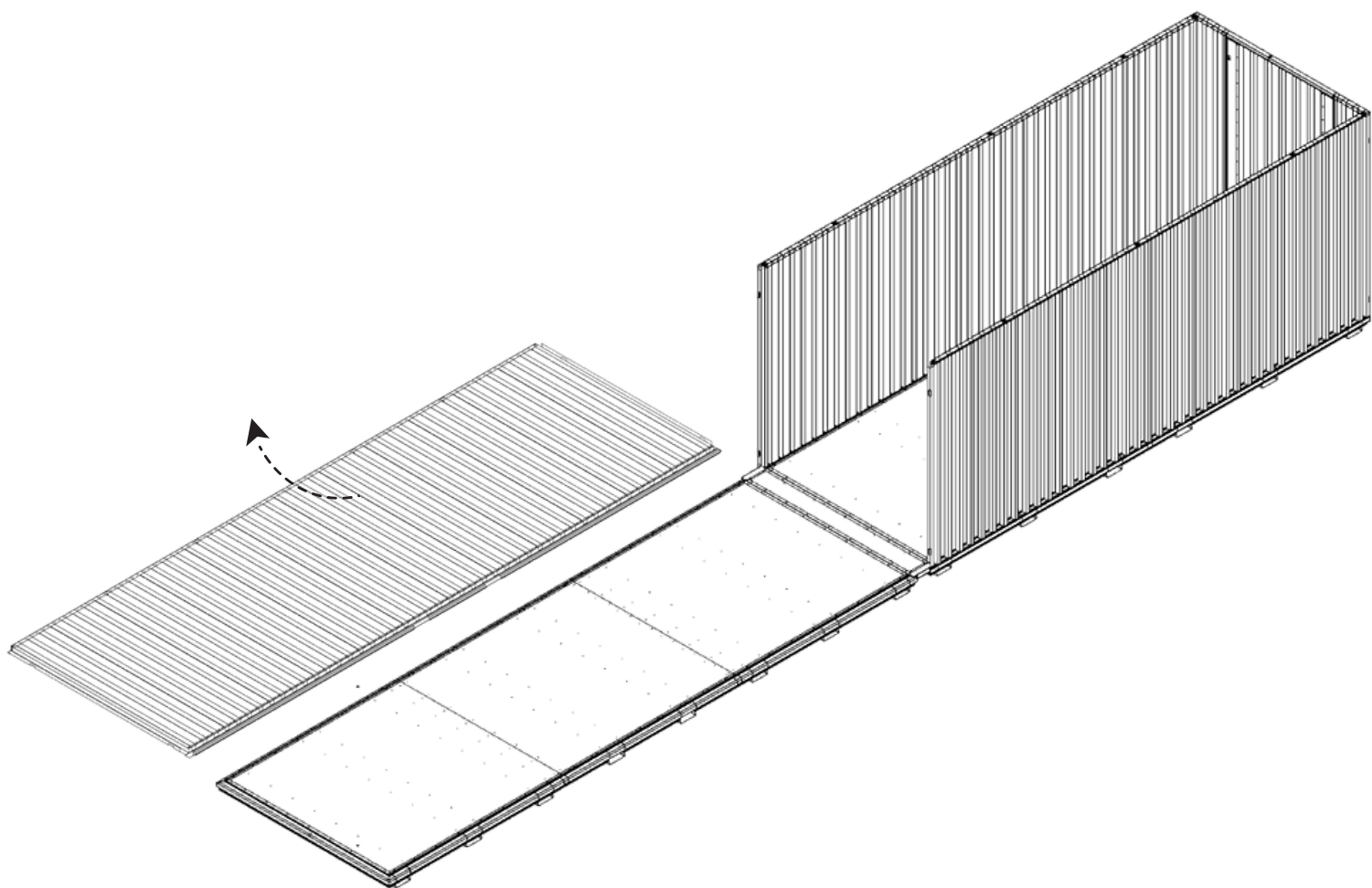
4



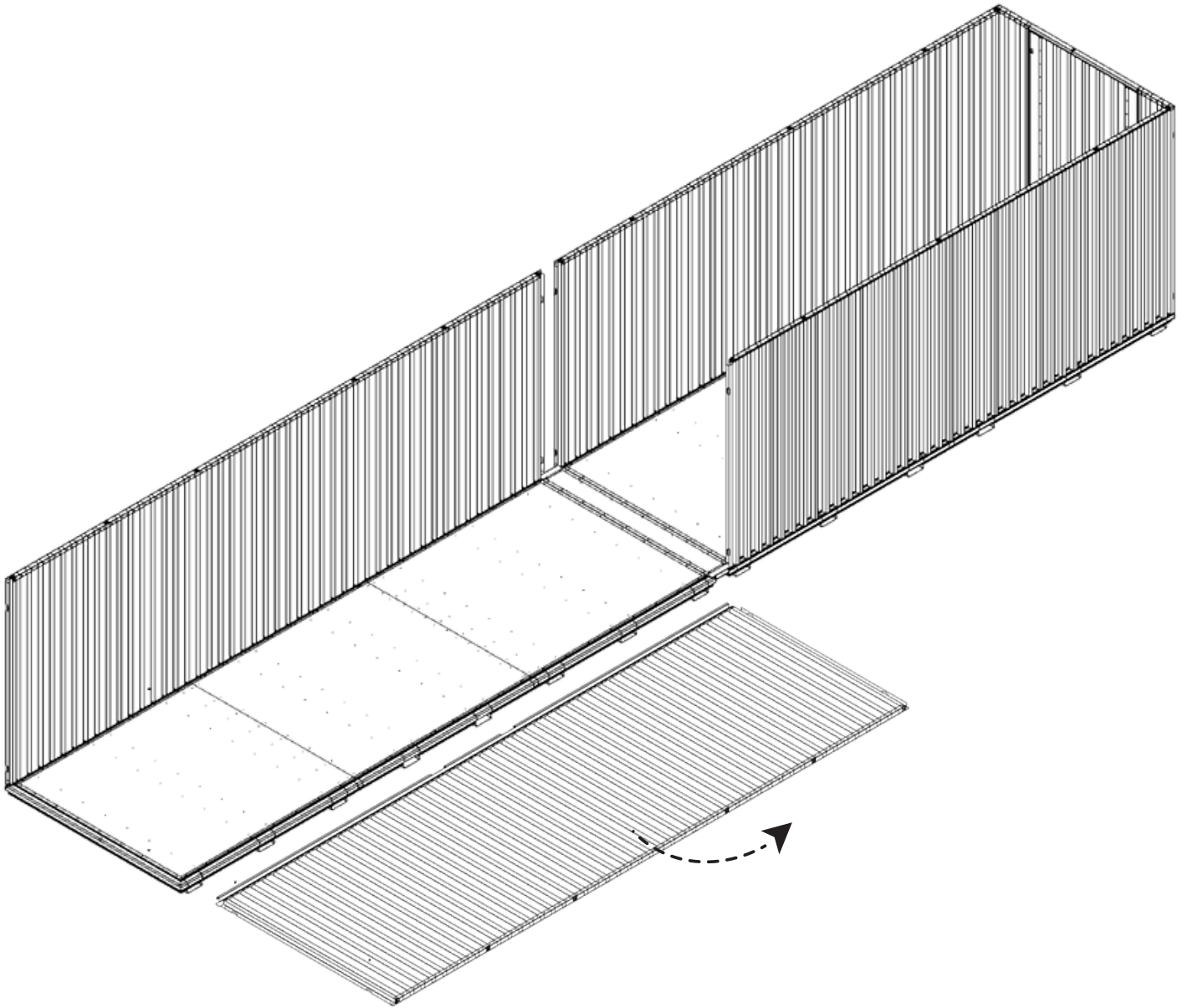
4.1



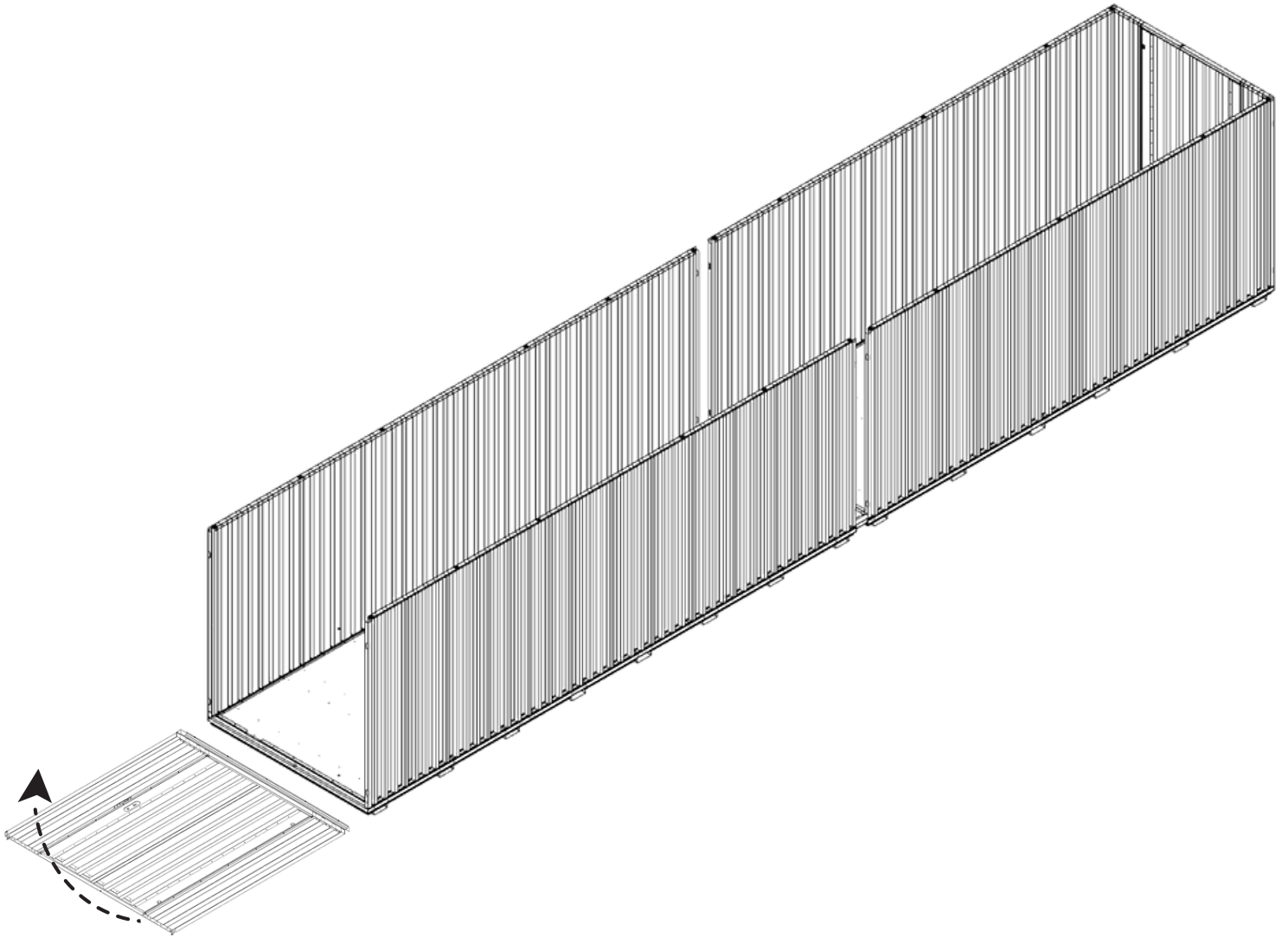
5



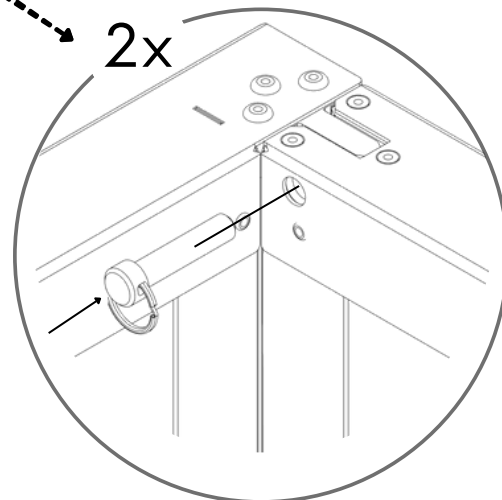
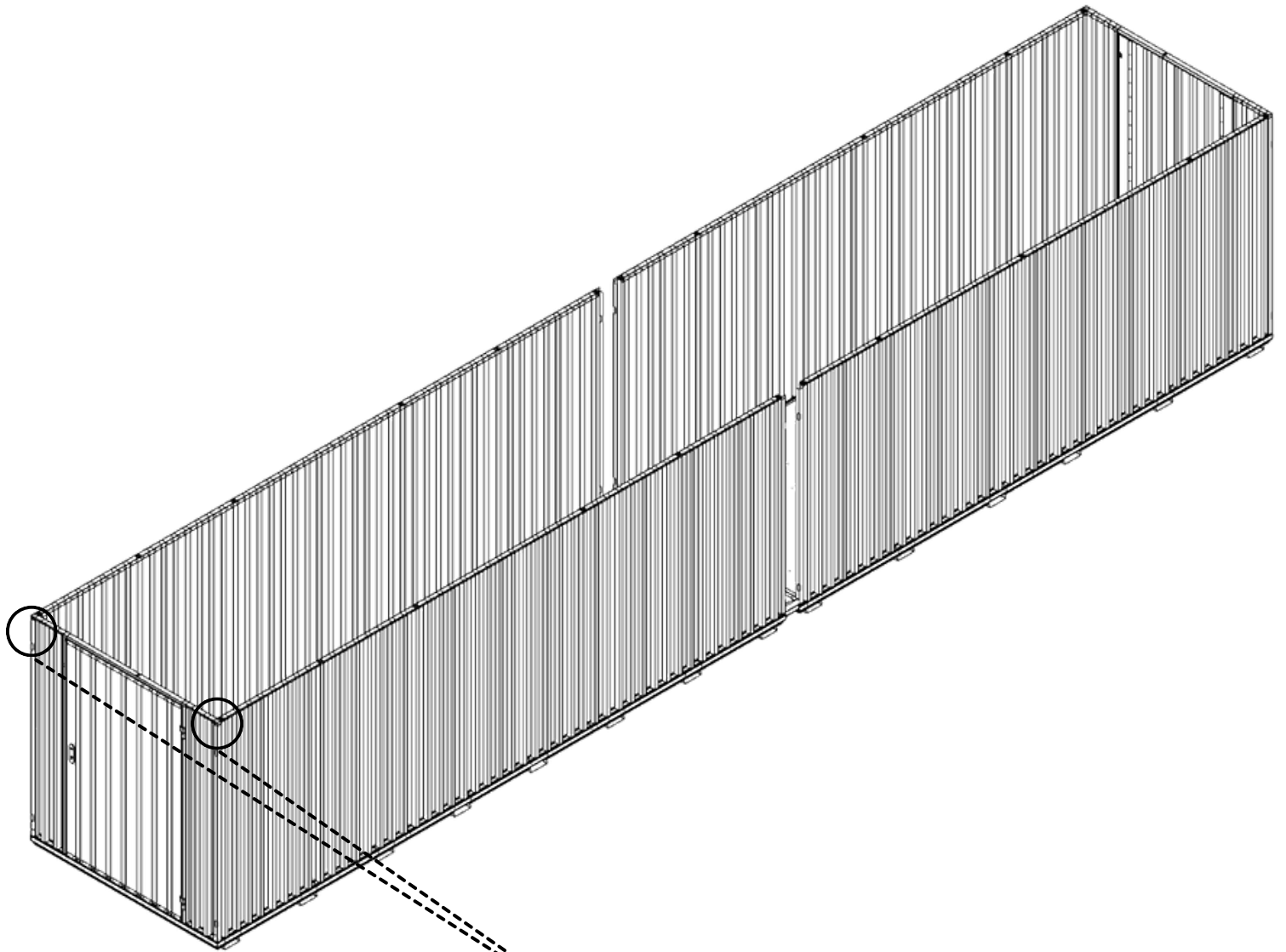
6



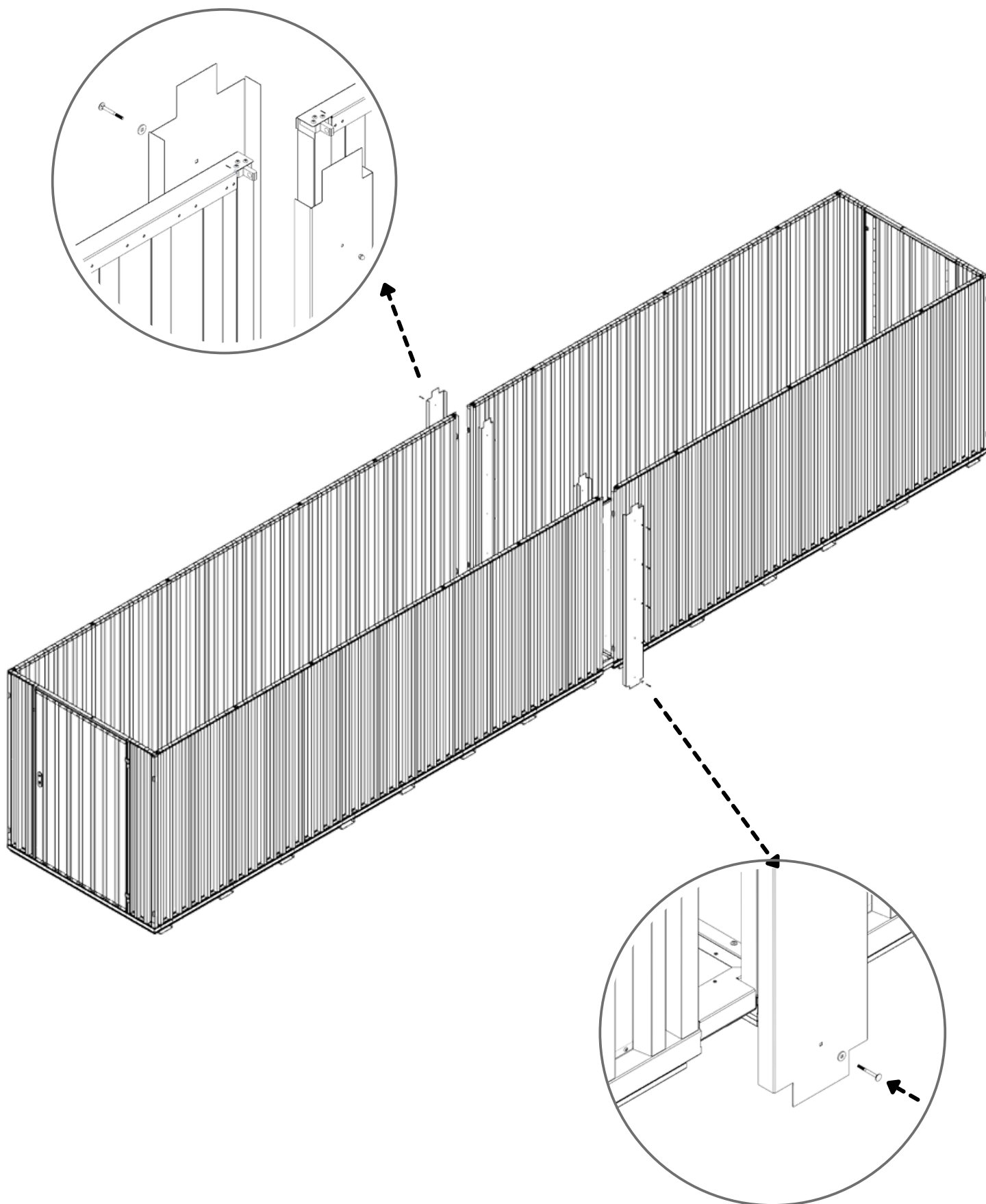
7



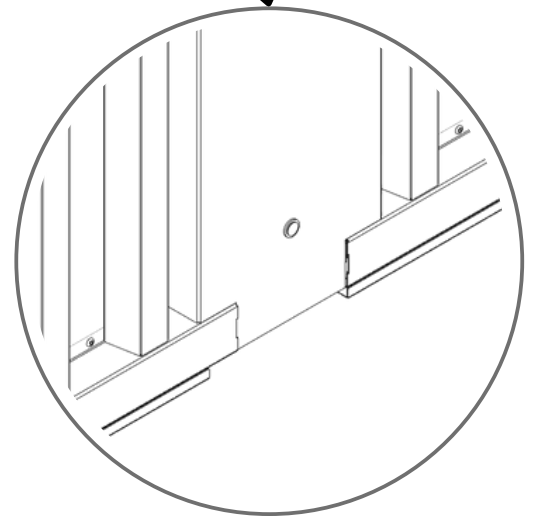
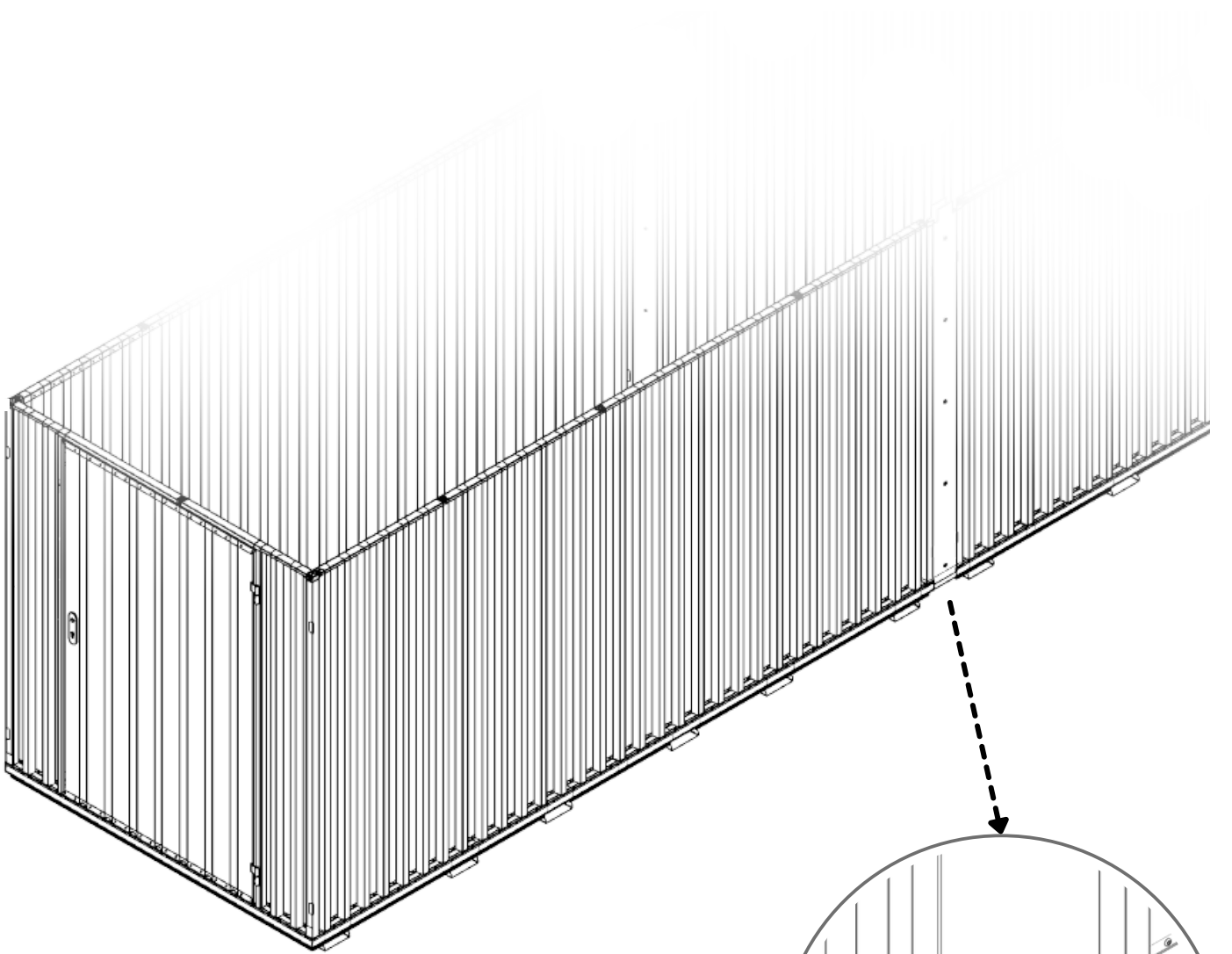
7.1



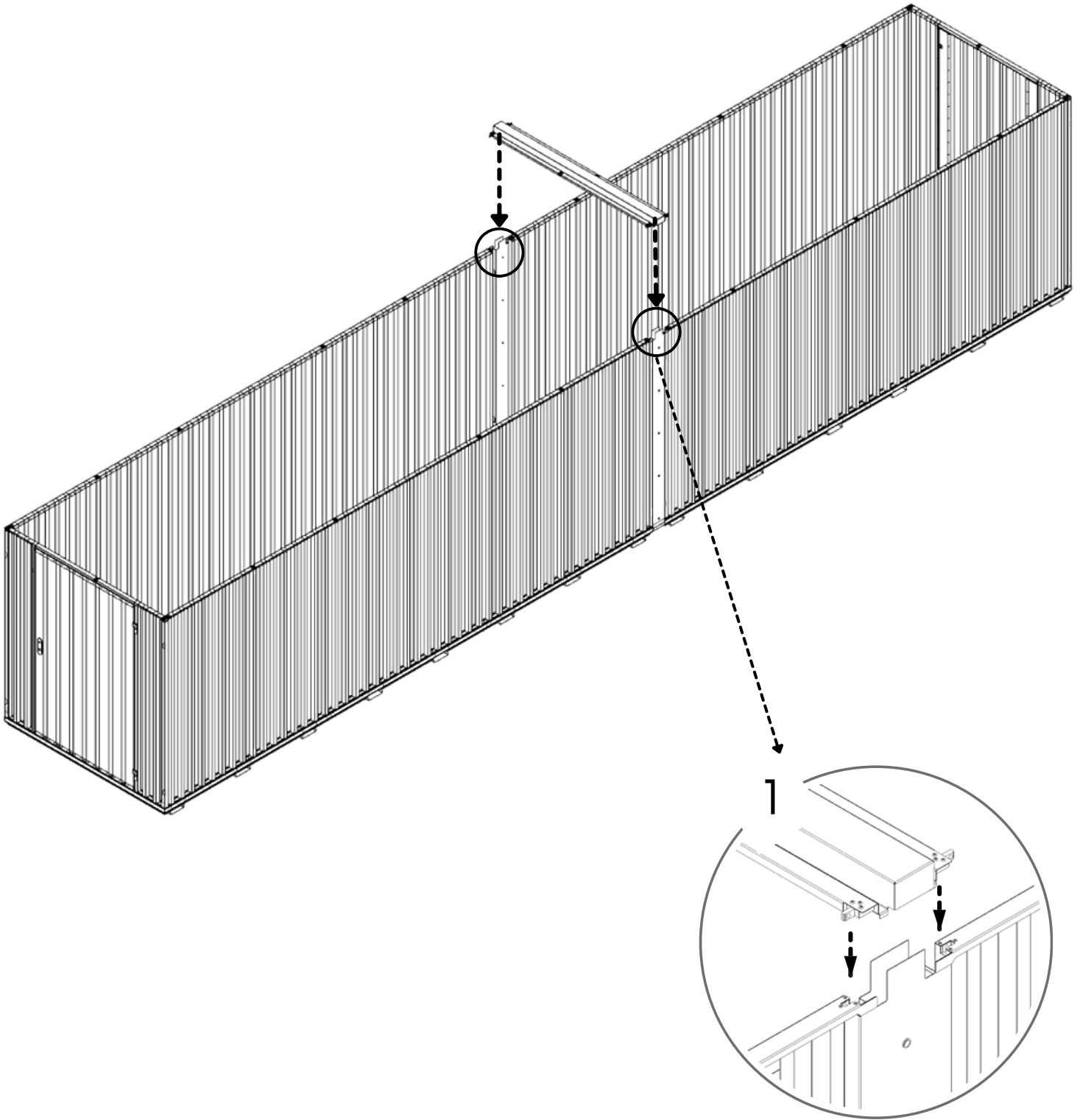
8



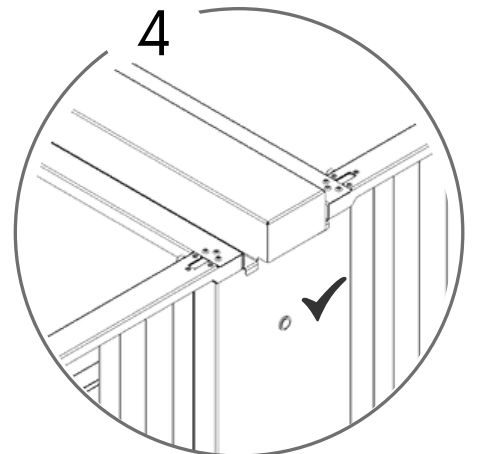
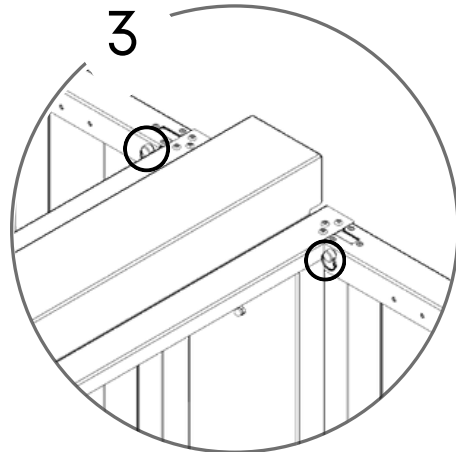
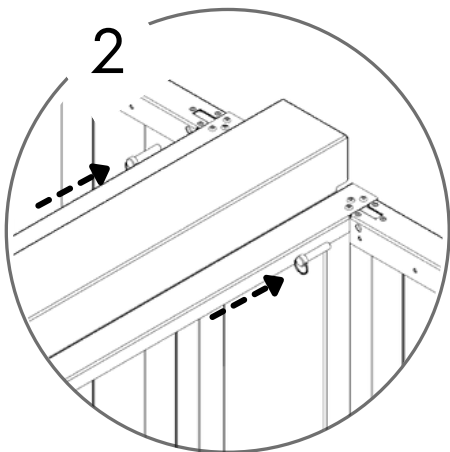
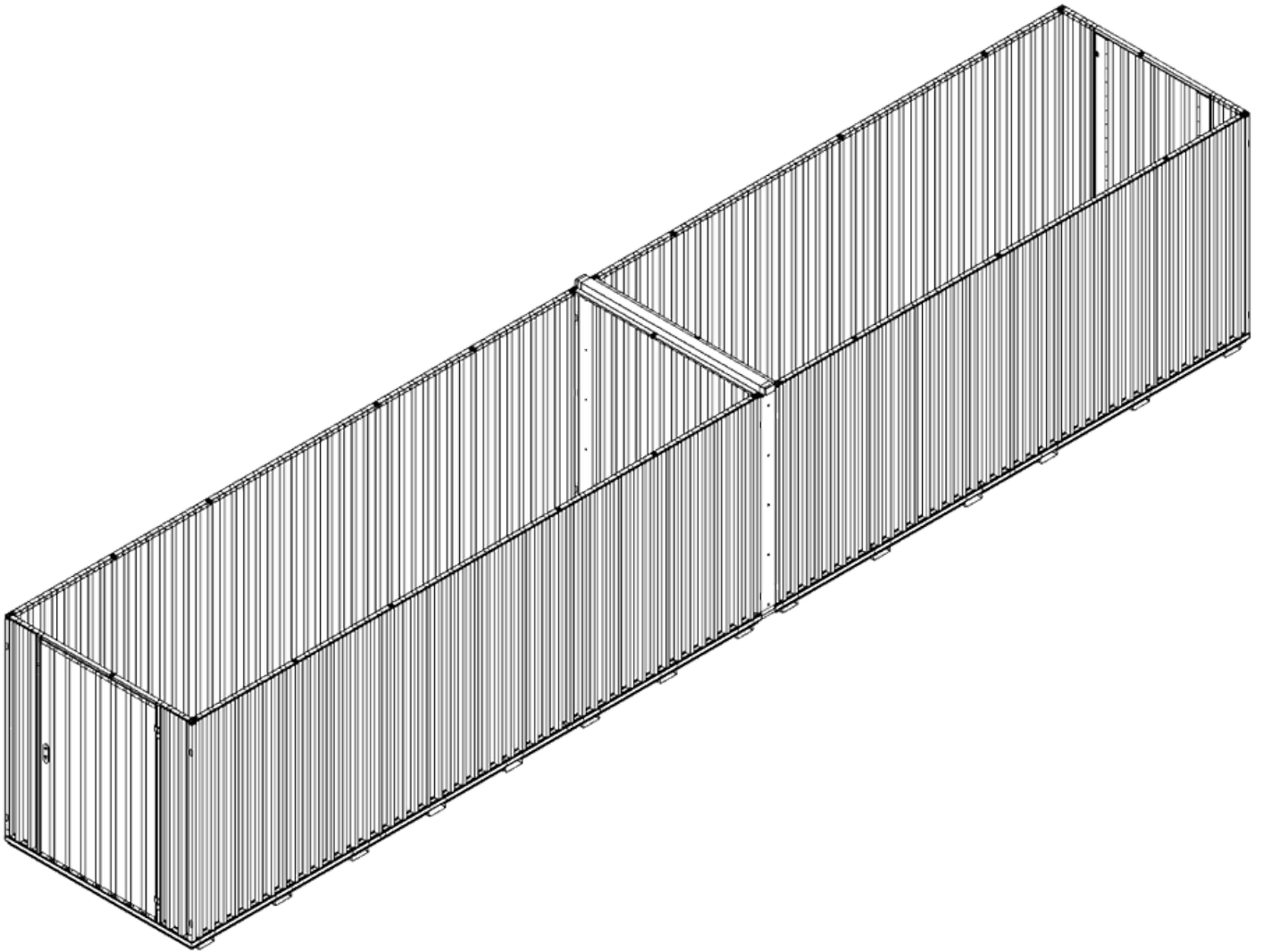
9











10

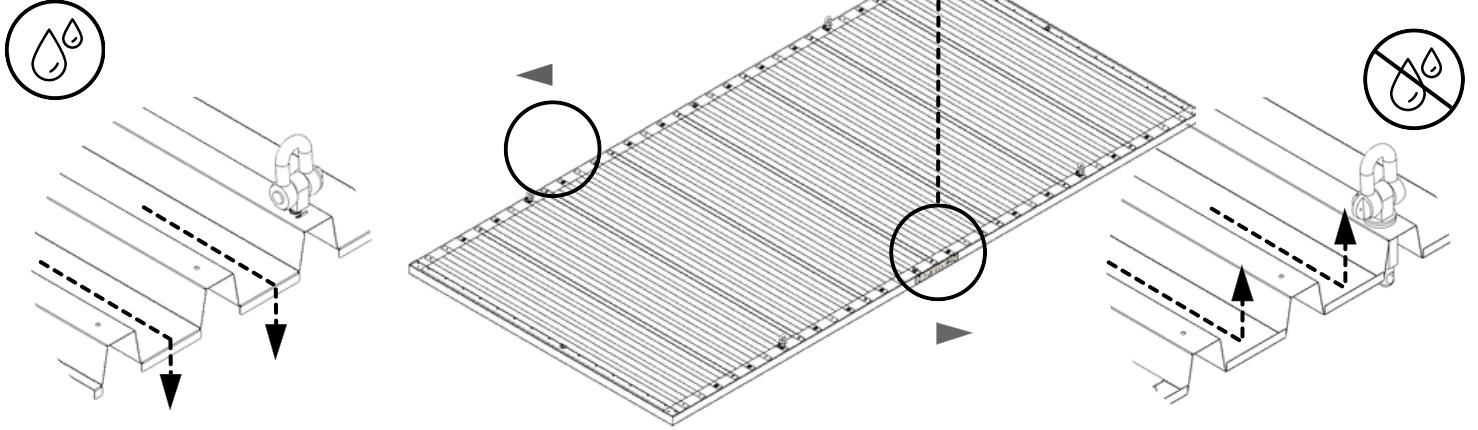


11

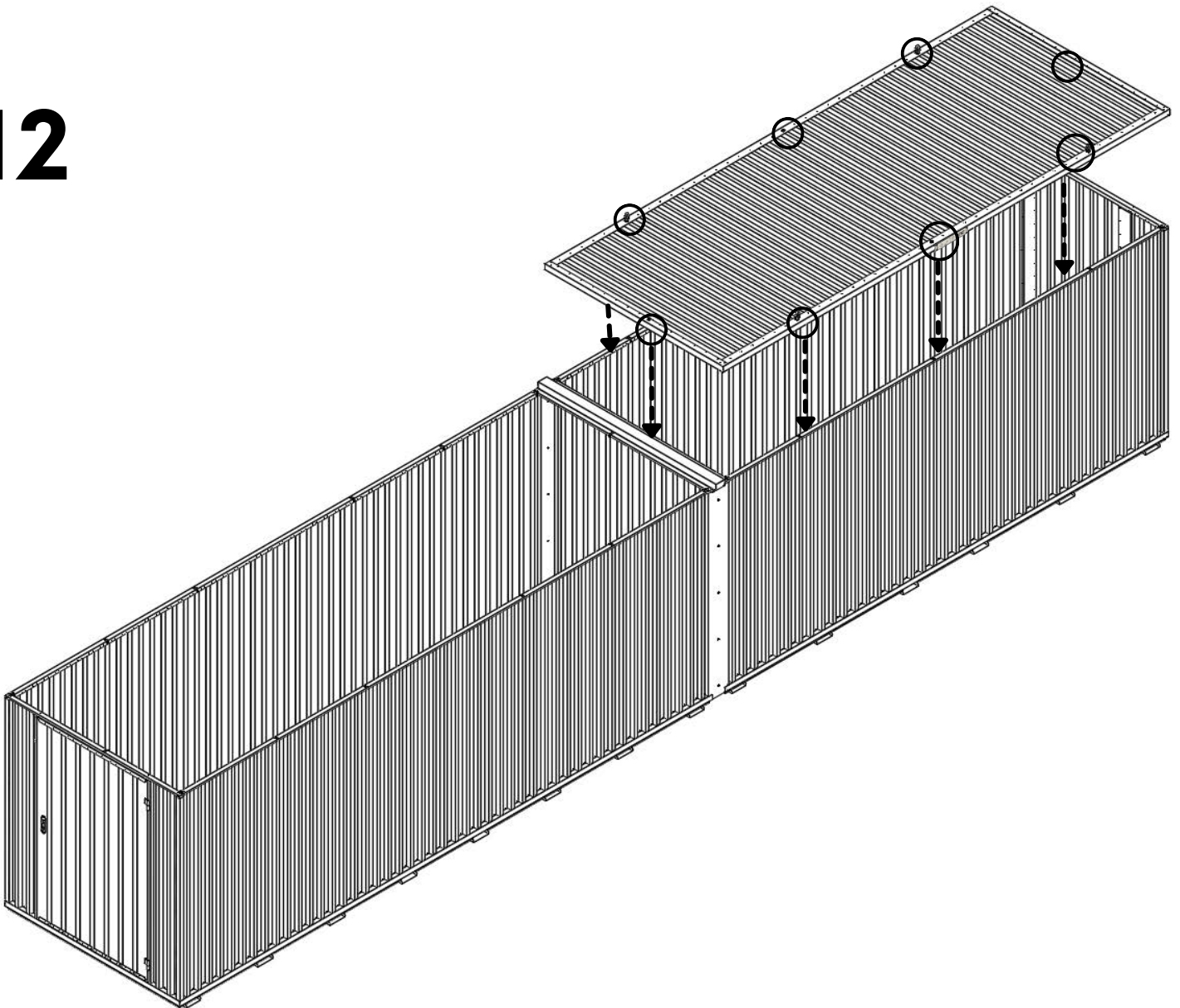




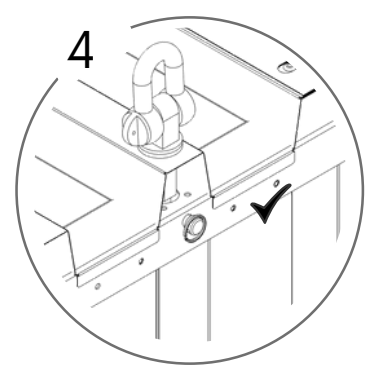
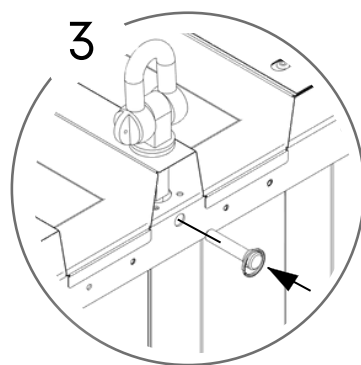
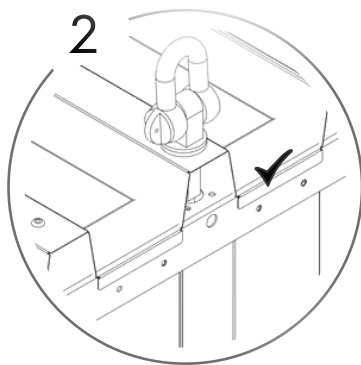
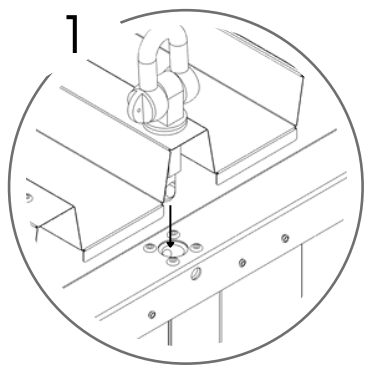
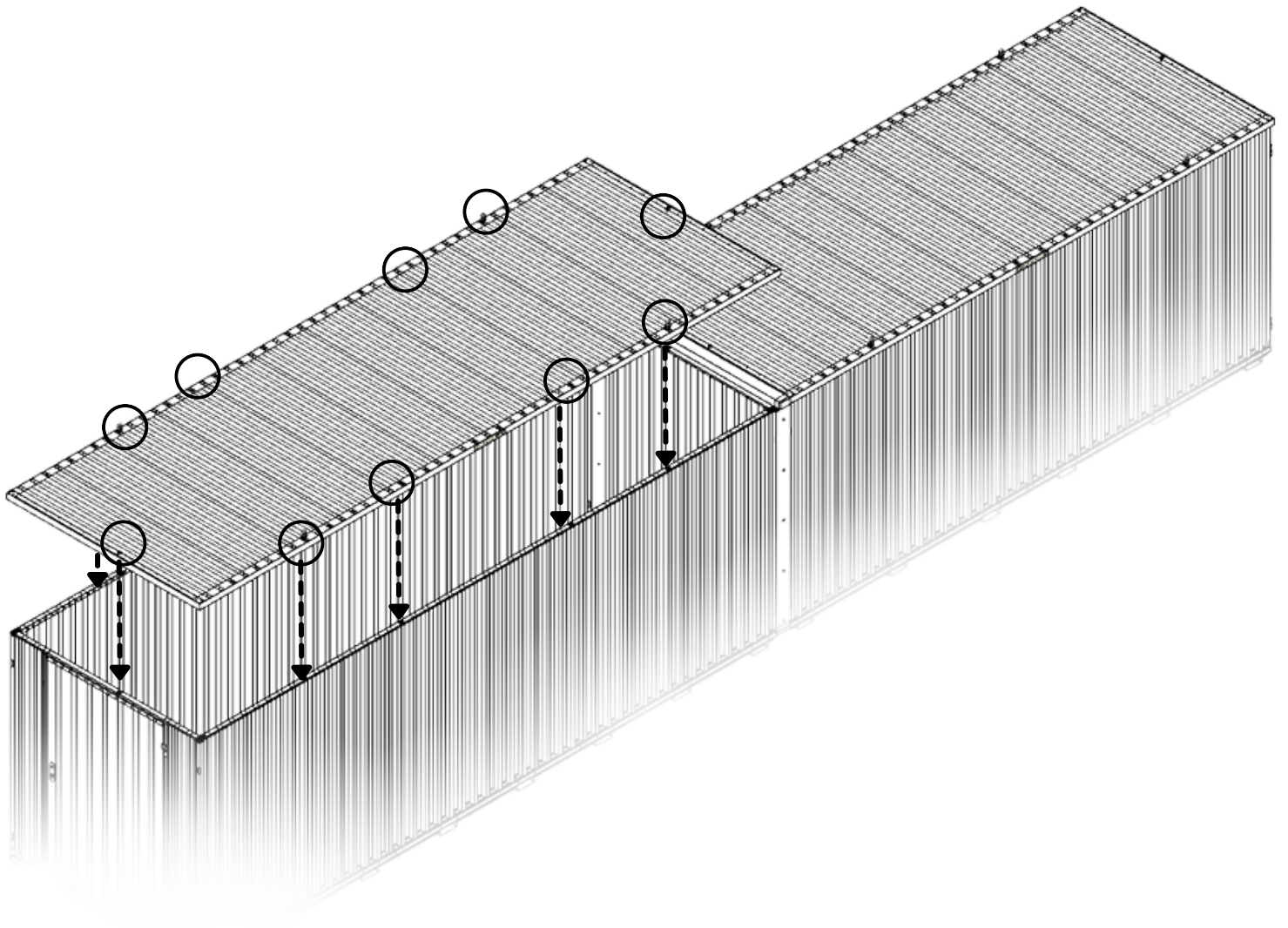
 1042 KG	 1640 MM	Model Code: 6050.110.320.321 Production Tracking Code:/X09.1.6050.320.321	 9001	 14001	 50001			
--	--	---	---	--	--	---	---	---



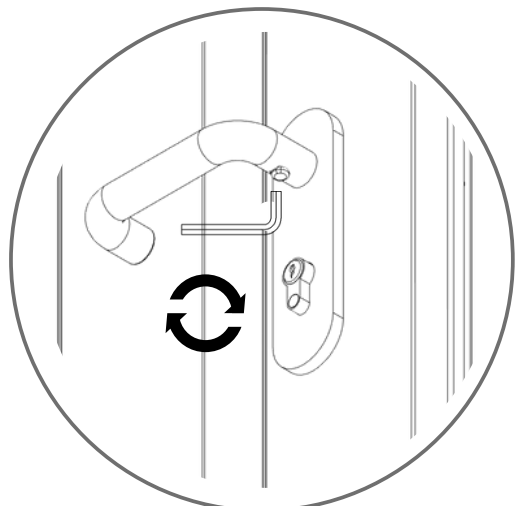
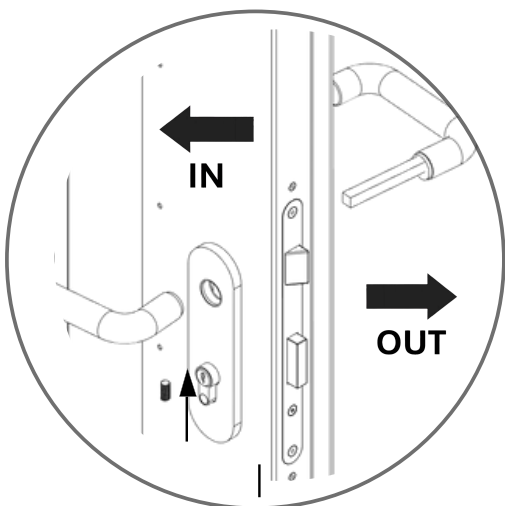
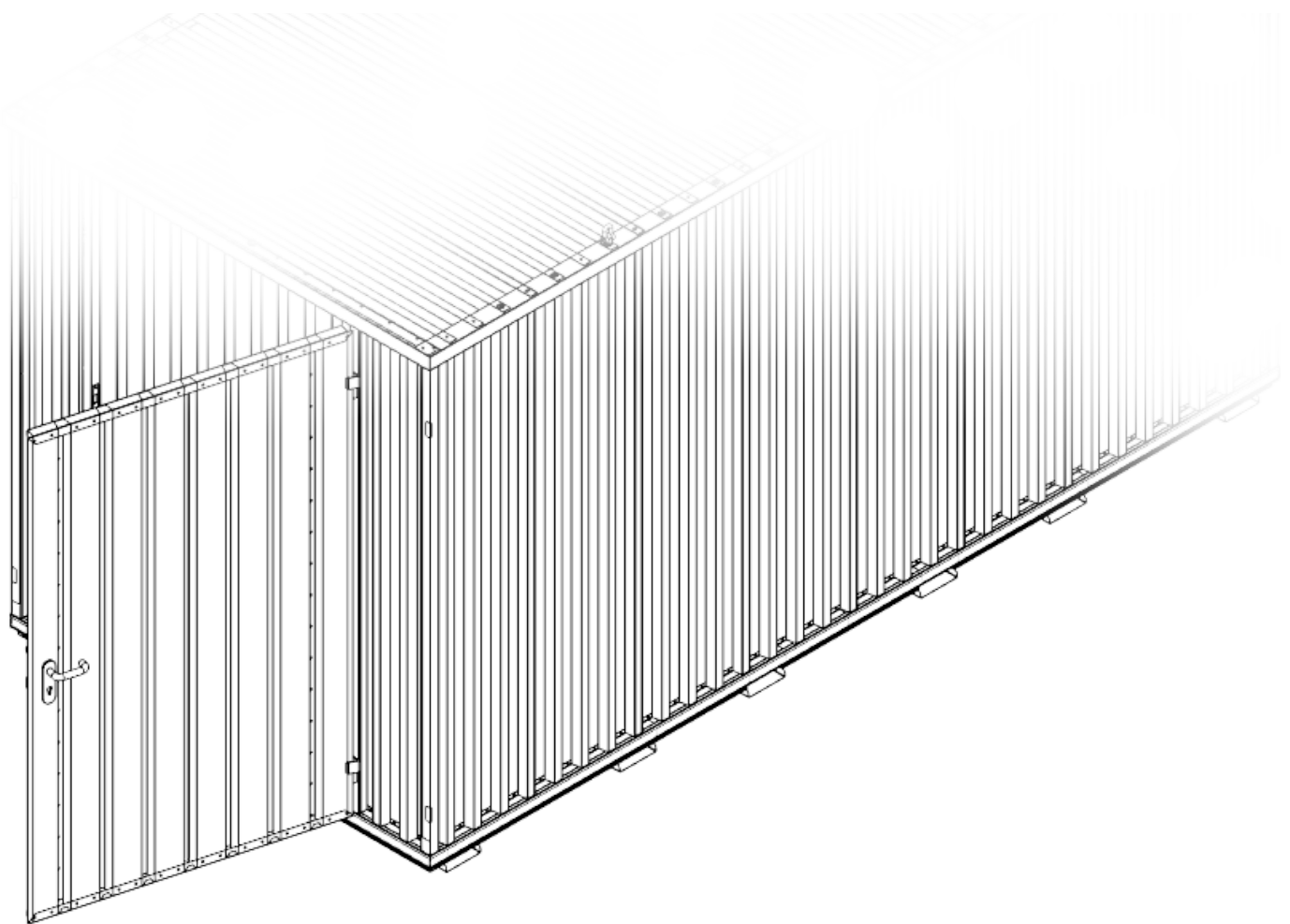
12



13



14



15

