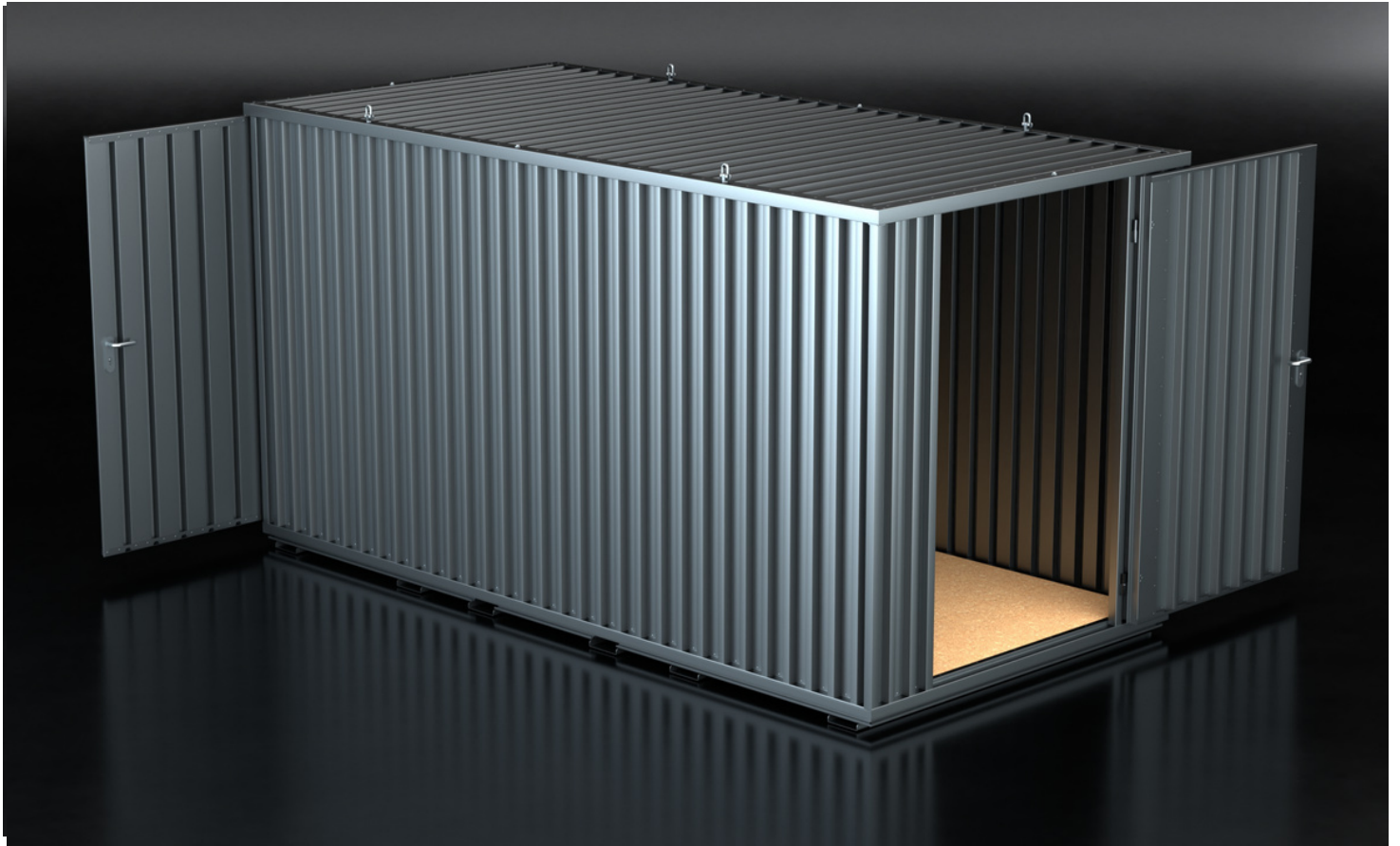


PRODUCT CODE: 40.110.320.321

prefabase
Quick Build Solutions

Instructions and User Guide



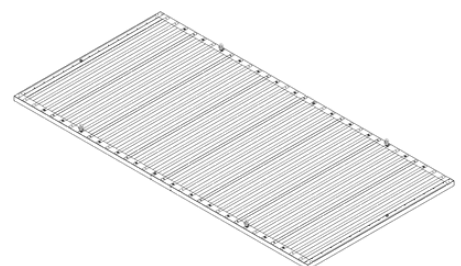
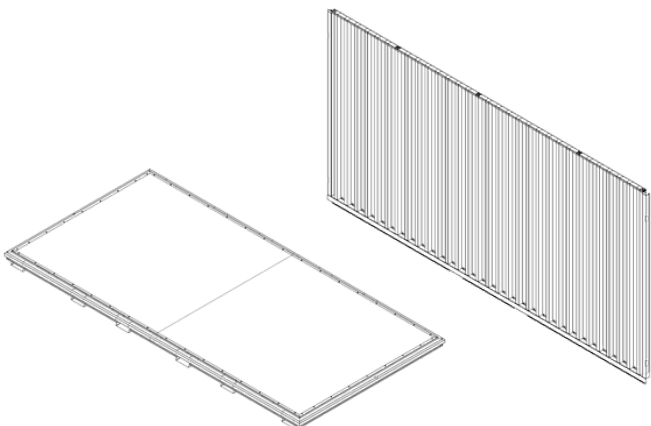
40.0110
1x

40.0410
2x

0320/0210
2x

40.0510
1x

0099.61.101
4x





12x



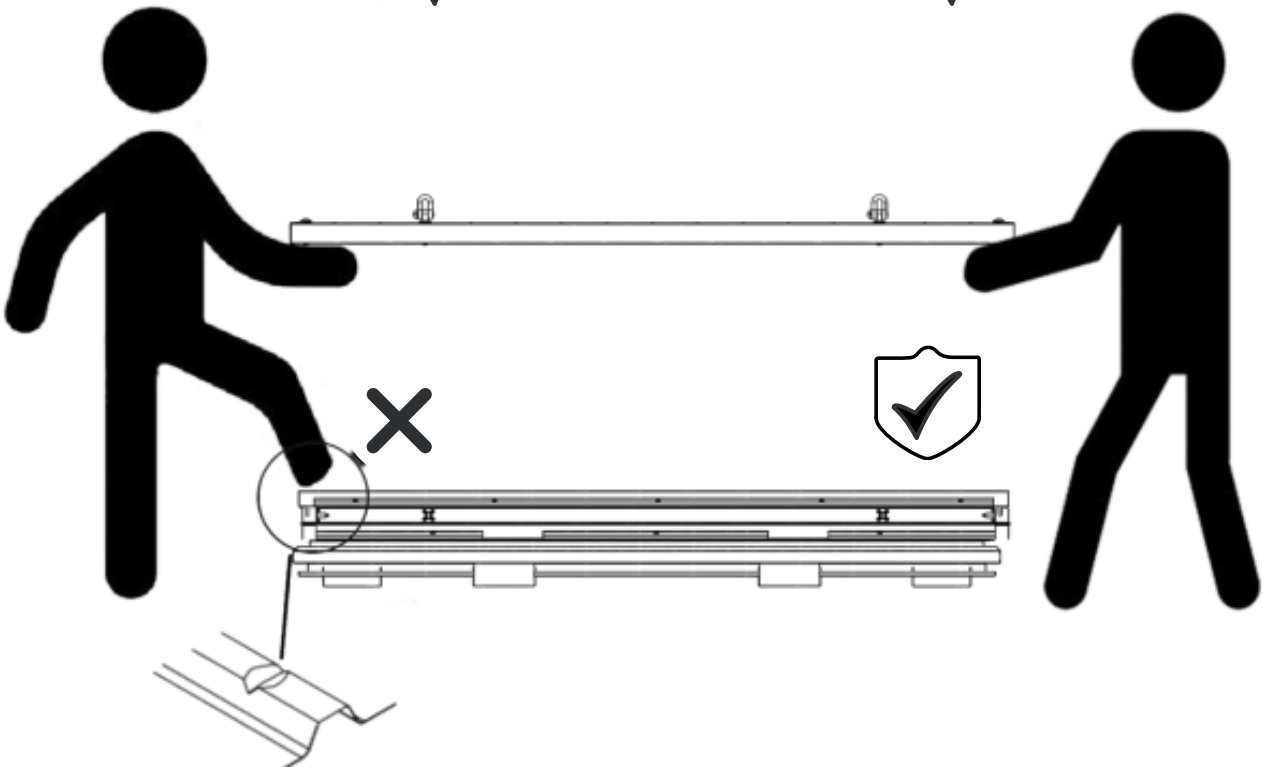
2x



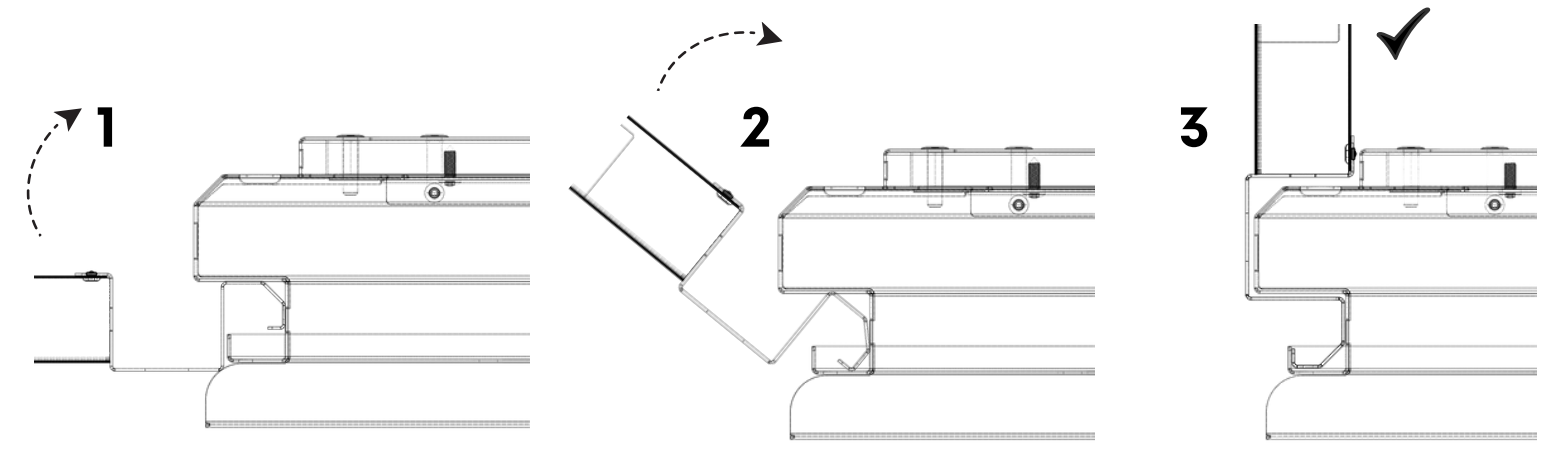
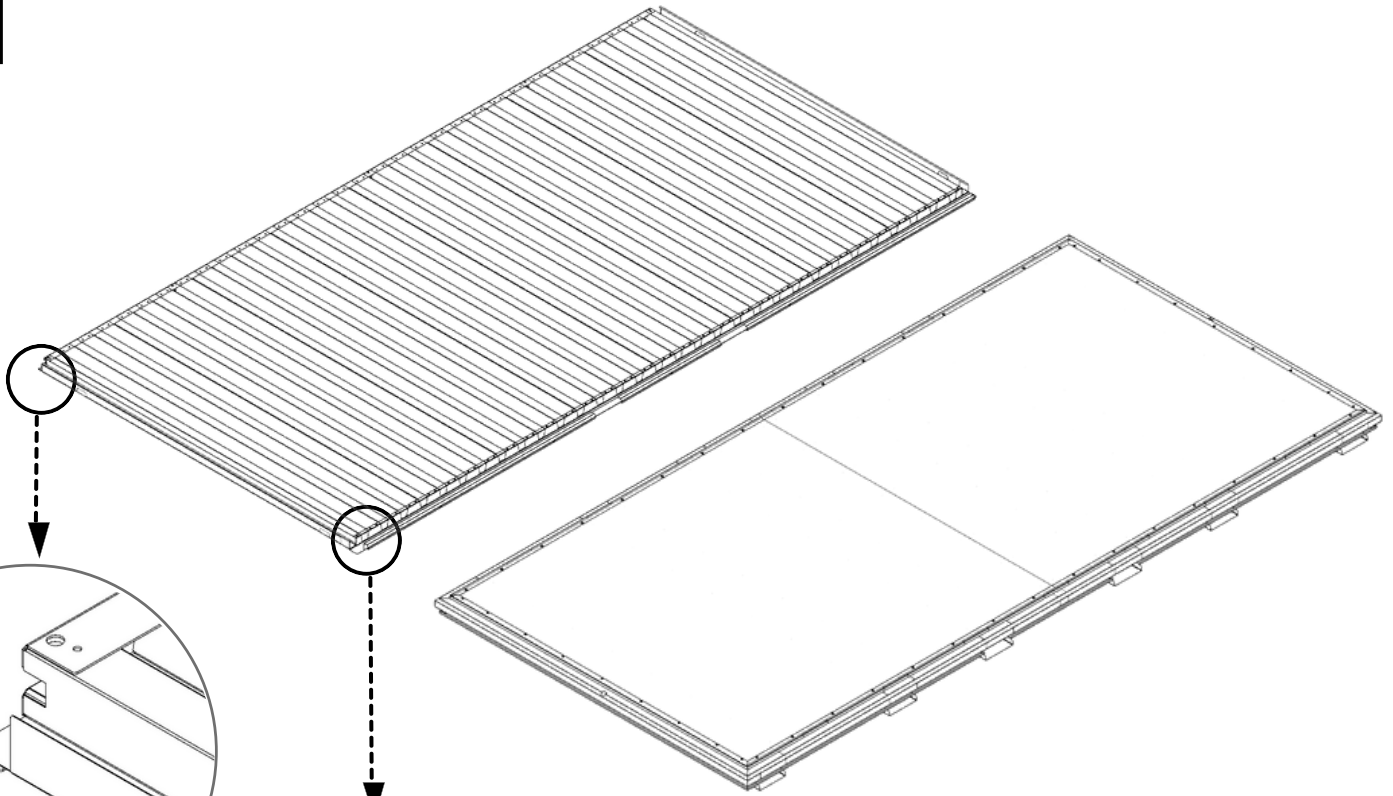
1x



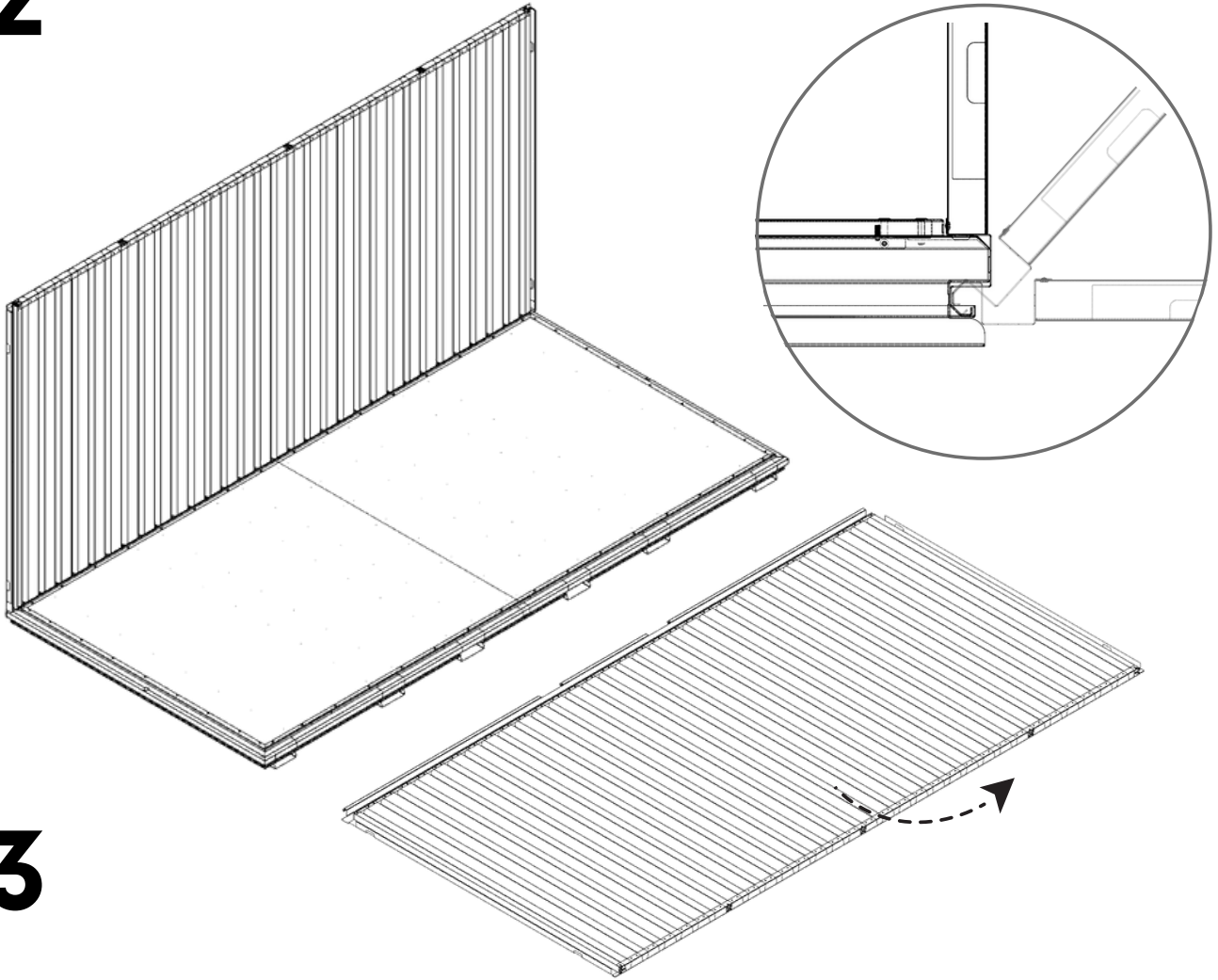
2x



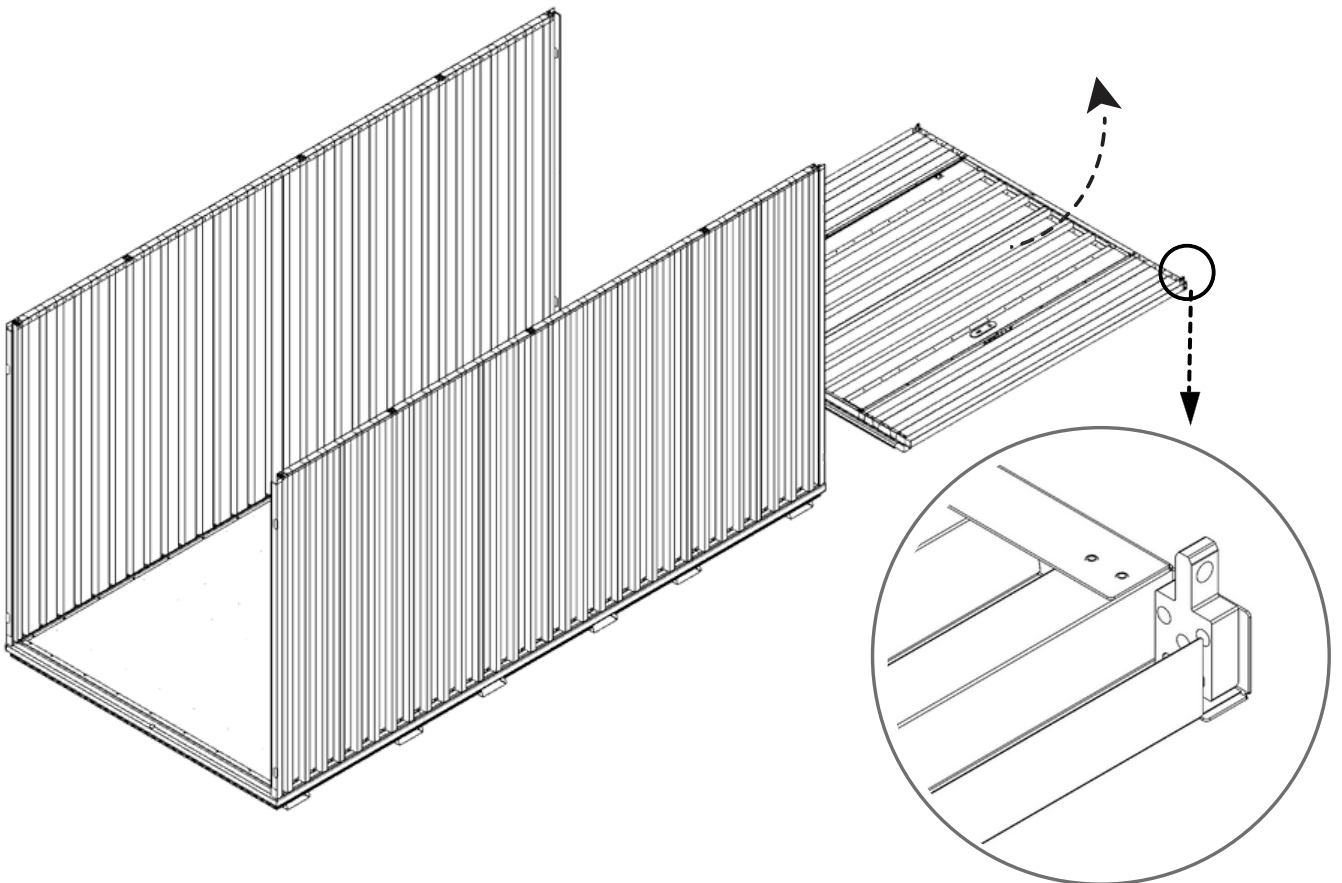
1



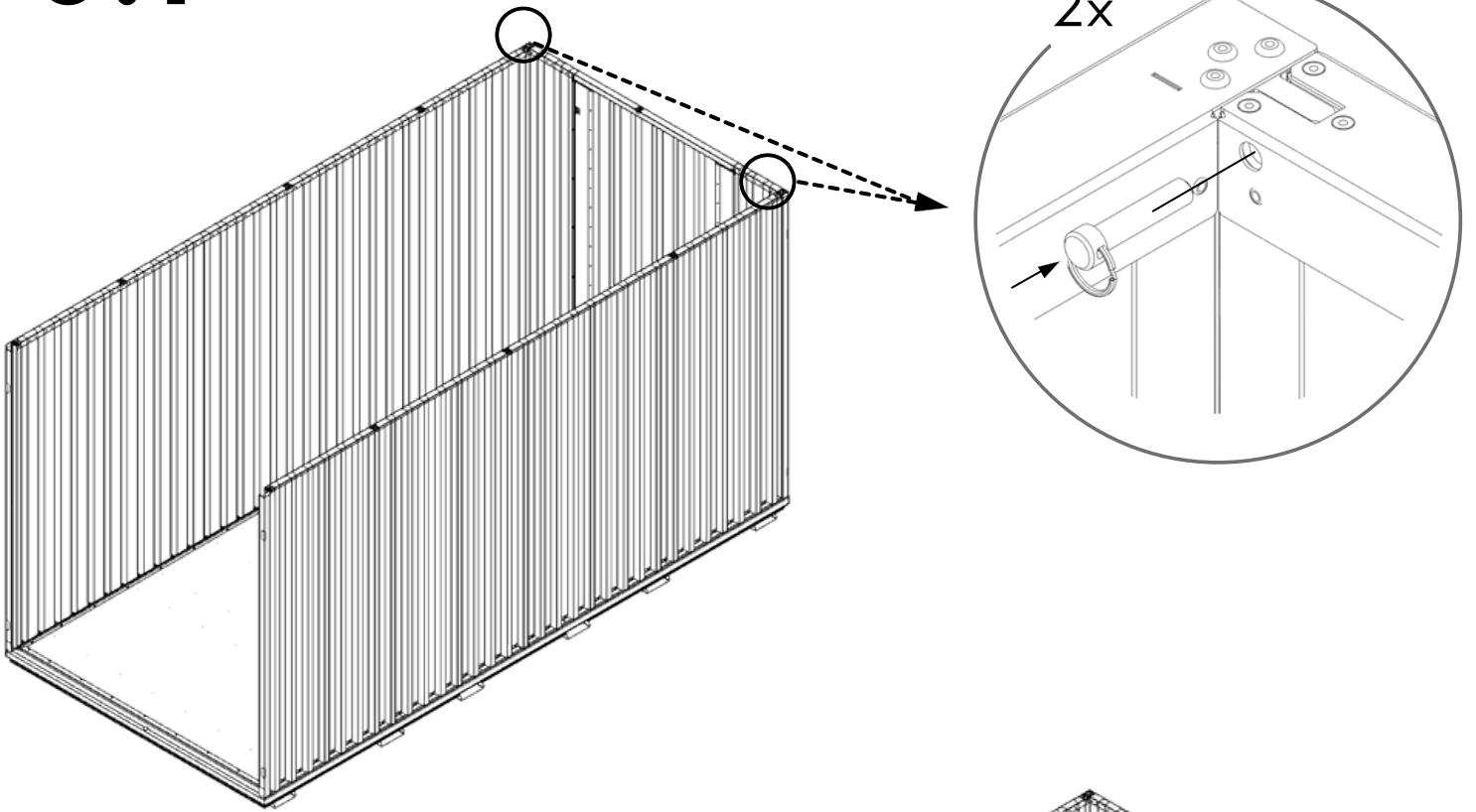
2



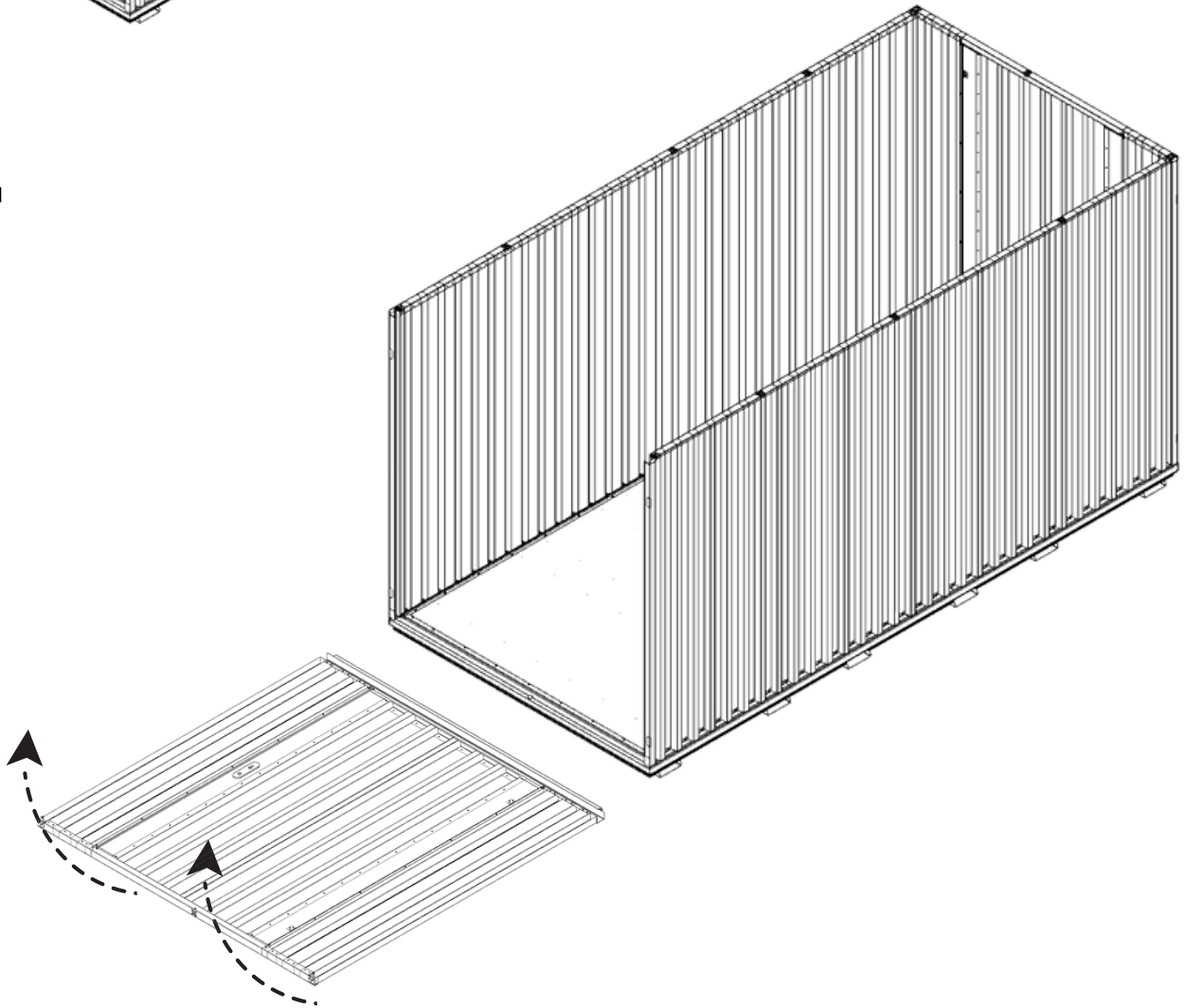
3



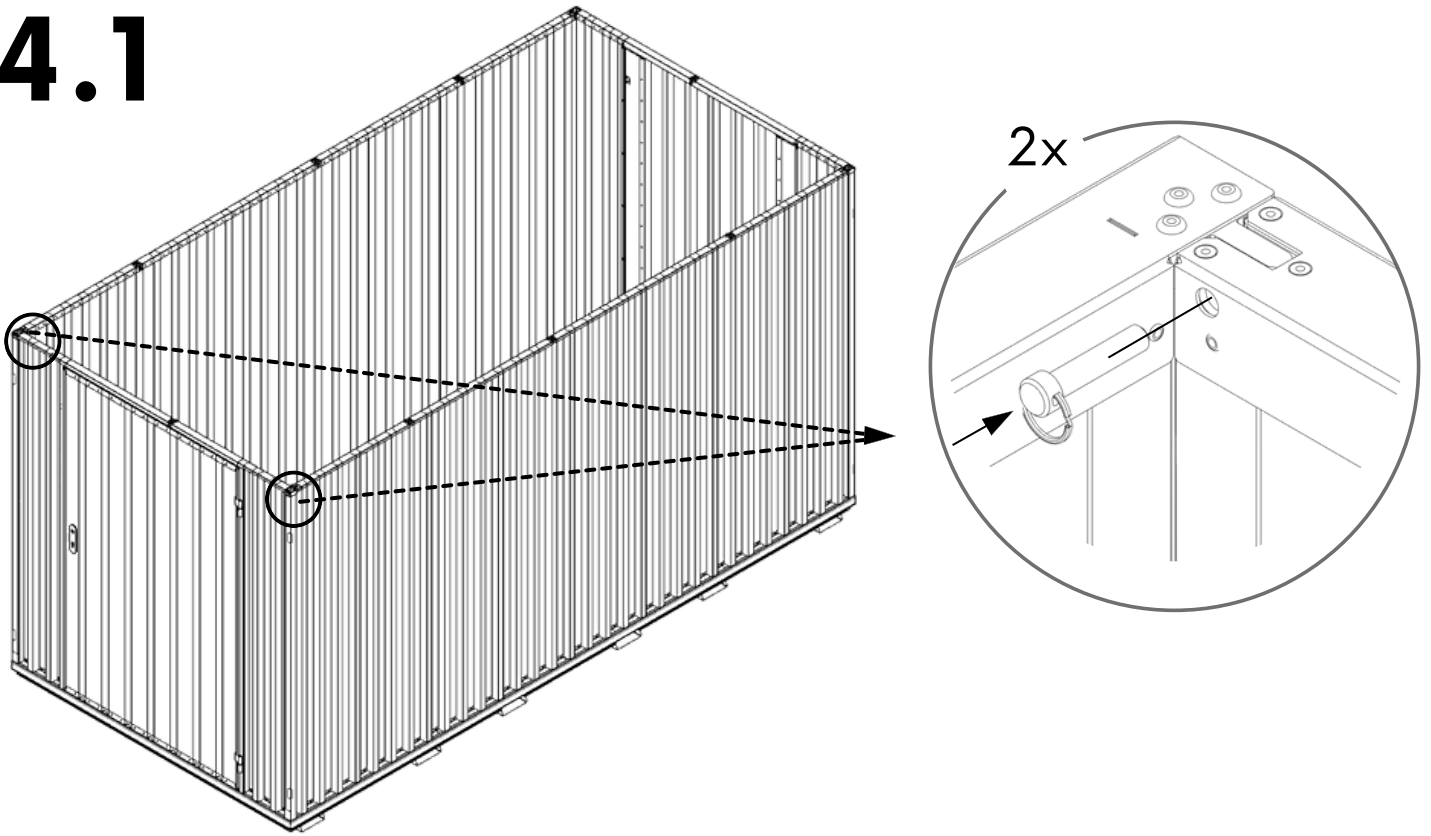
3.1












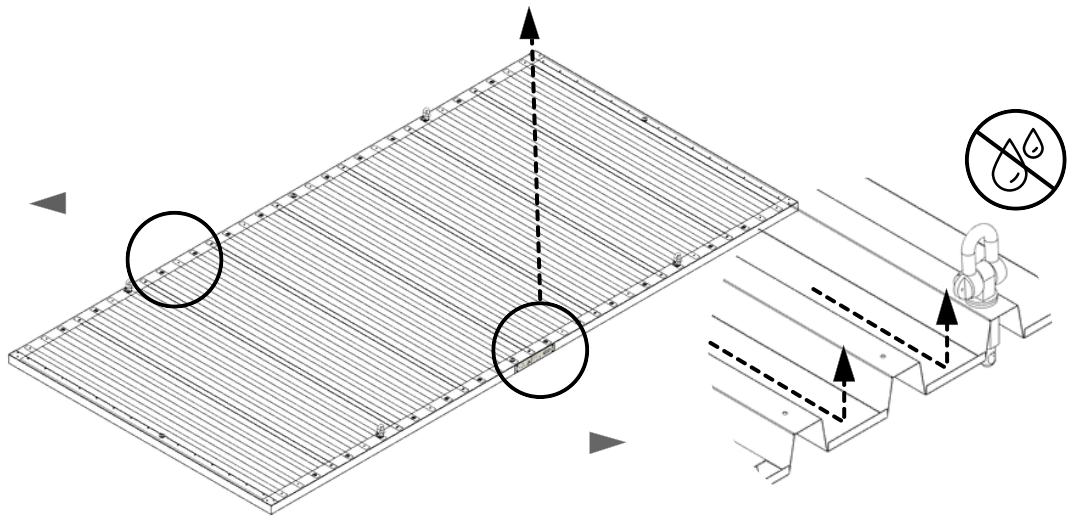
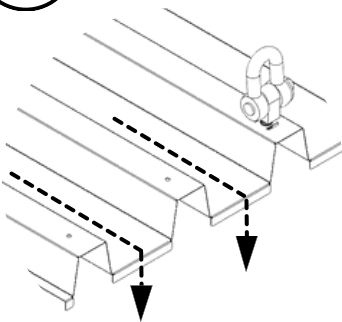
4



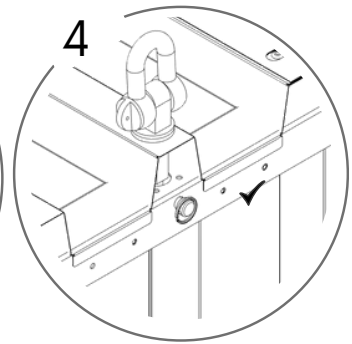
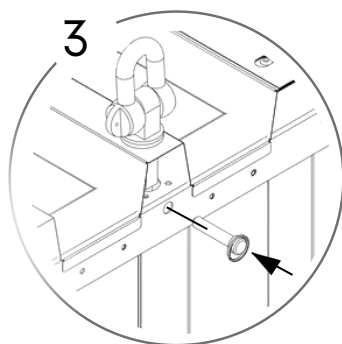
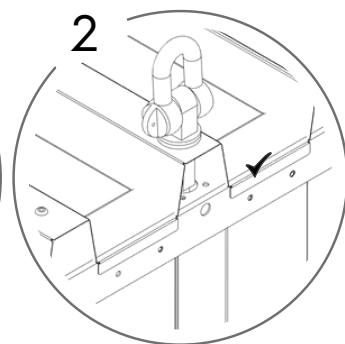
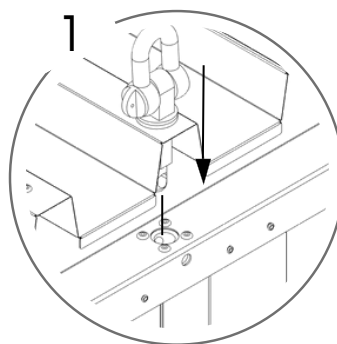
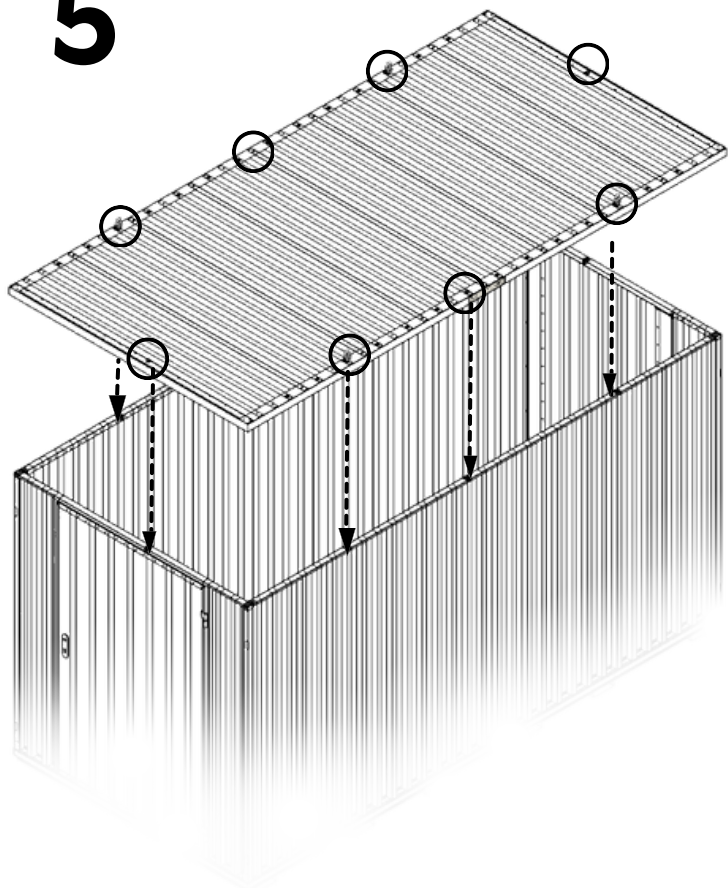
4.1



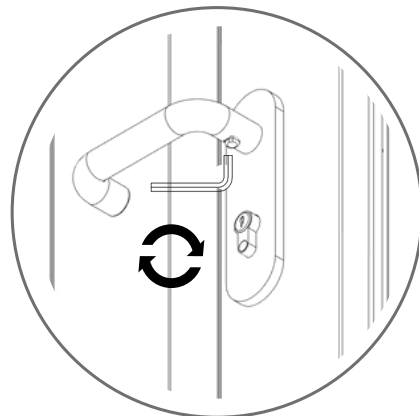
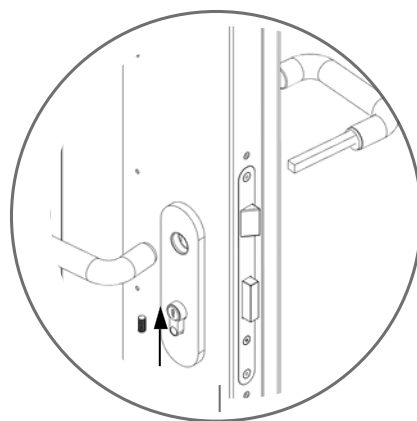
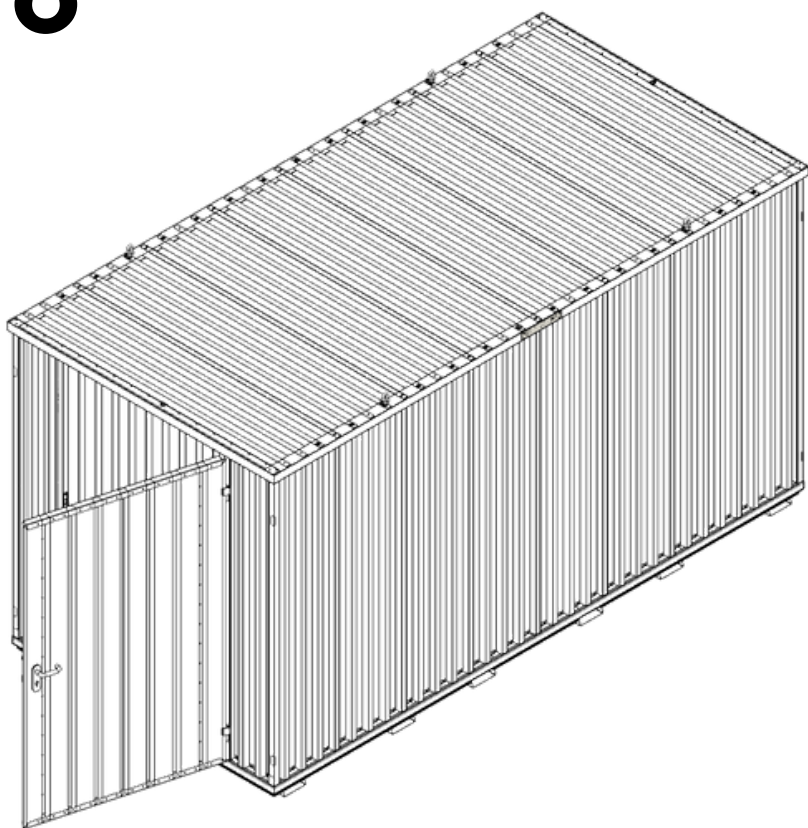
 336 KG	 3 TON	 1640 MM	Model Code: 30.110.440 Production Tracking Code:X09.130.440  9001  14001  50001	  
---	--	--	--	---



5



6



7

