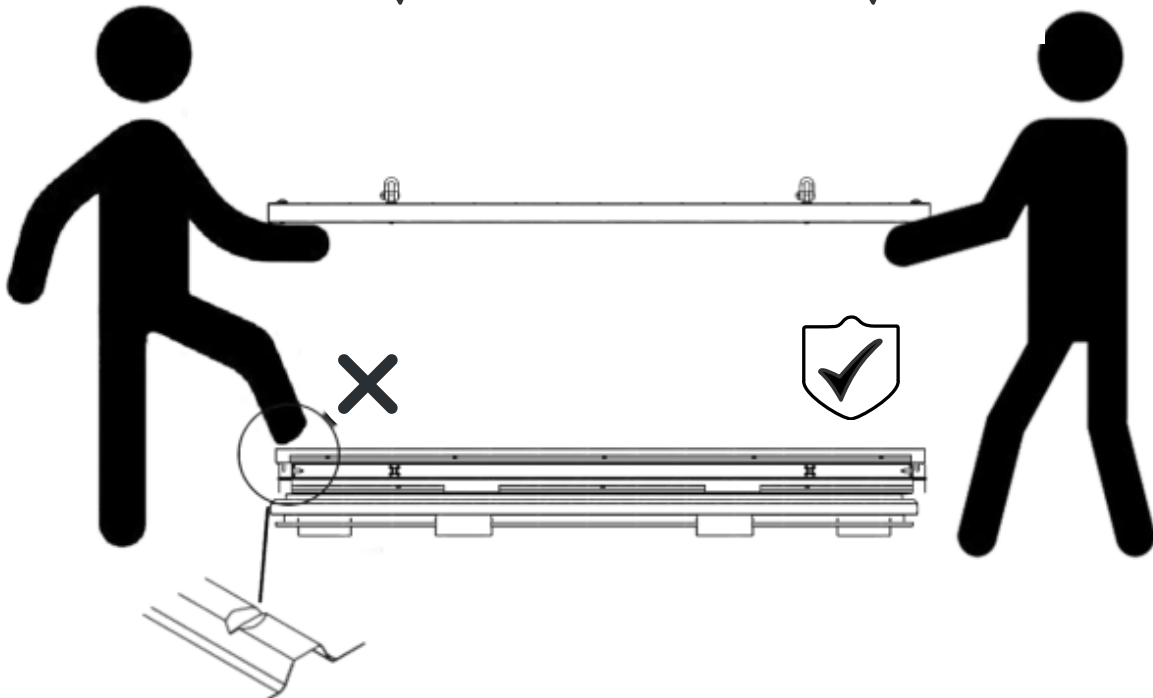
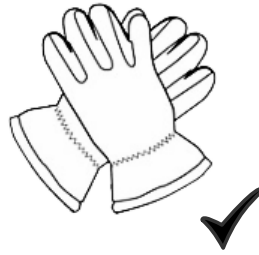


PRODUCT CODE:303.110.430.431

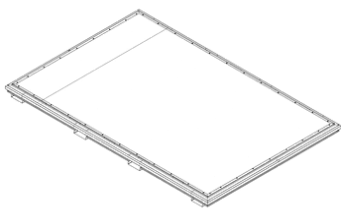
**prefabase**  
Quick Build Solutions

Instructions and User Guide



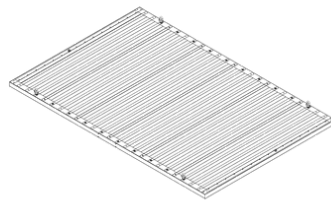
30.0110

2x



30.0510

2x



303.0110

1x



303.0510

1x



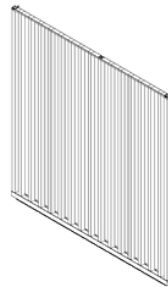
30.0430

2x



0310

4x



305.20.08

2x



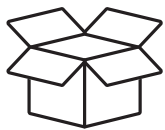
305.20.09

2x



61.101

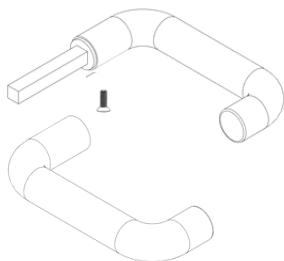
4x



20x



2x



10x



10x



10x



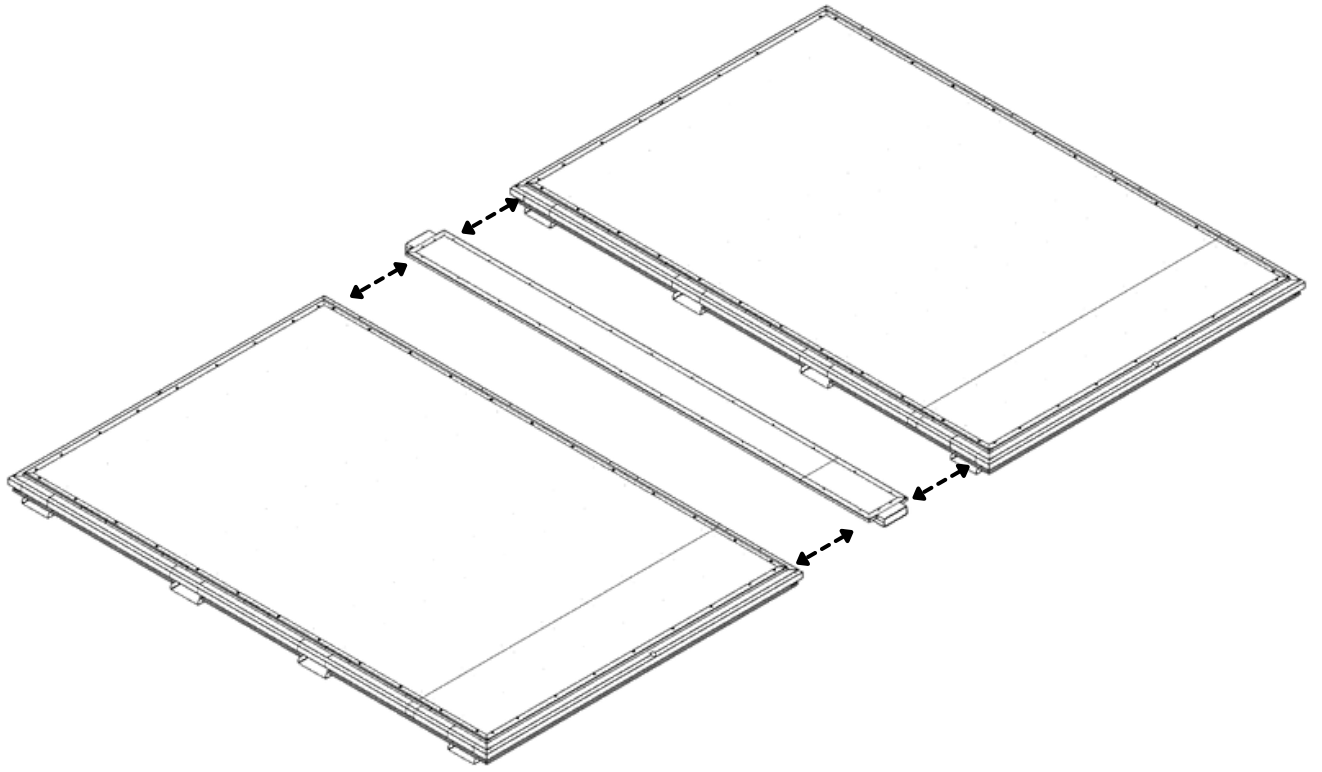
1x



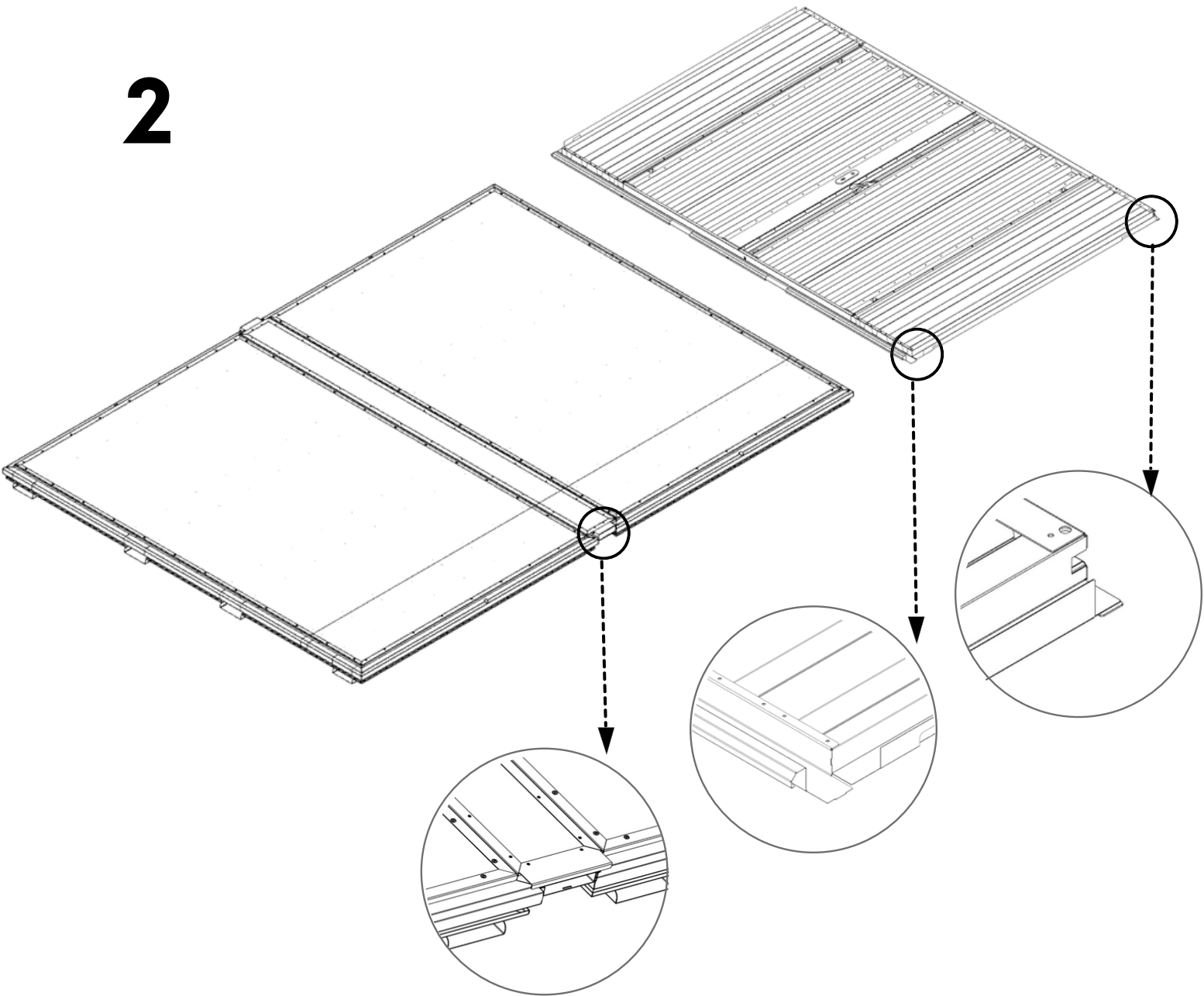
2x

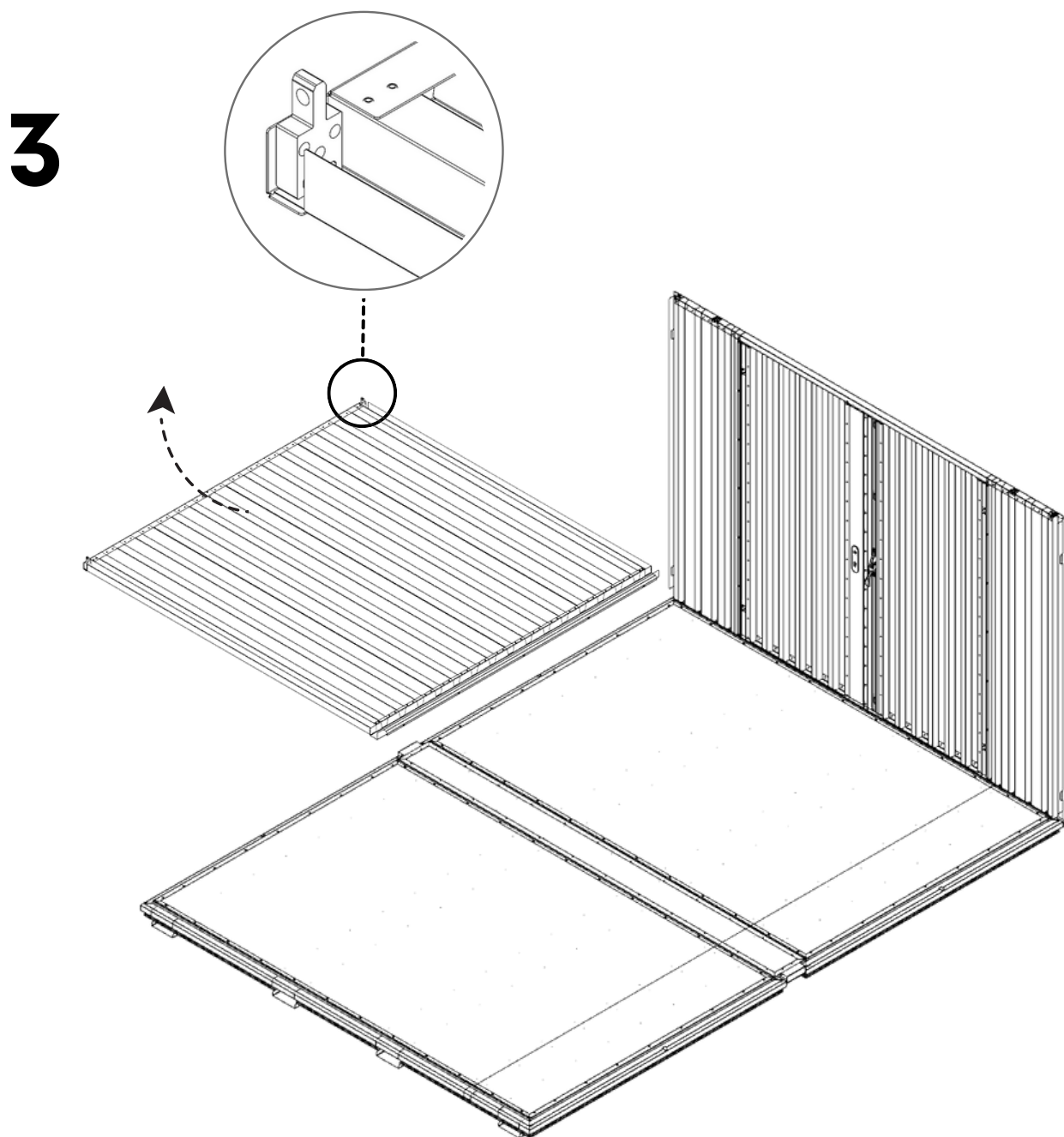
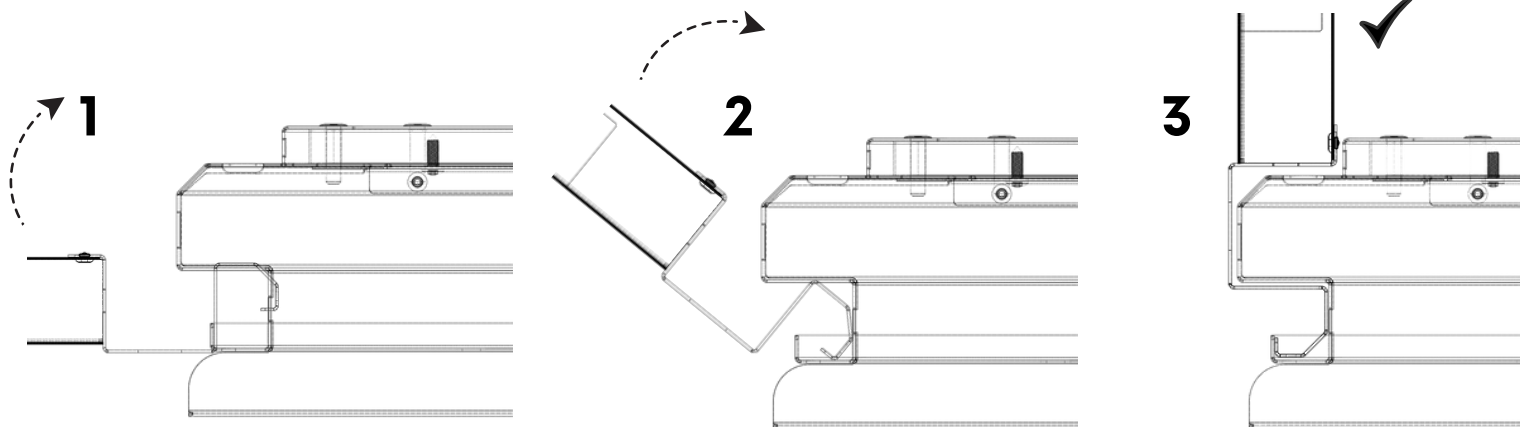


1

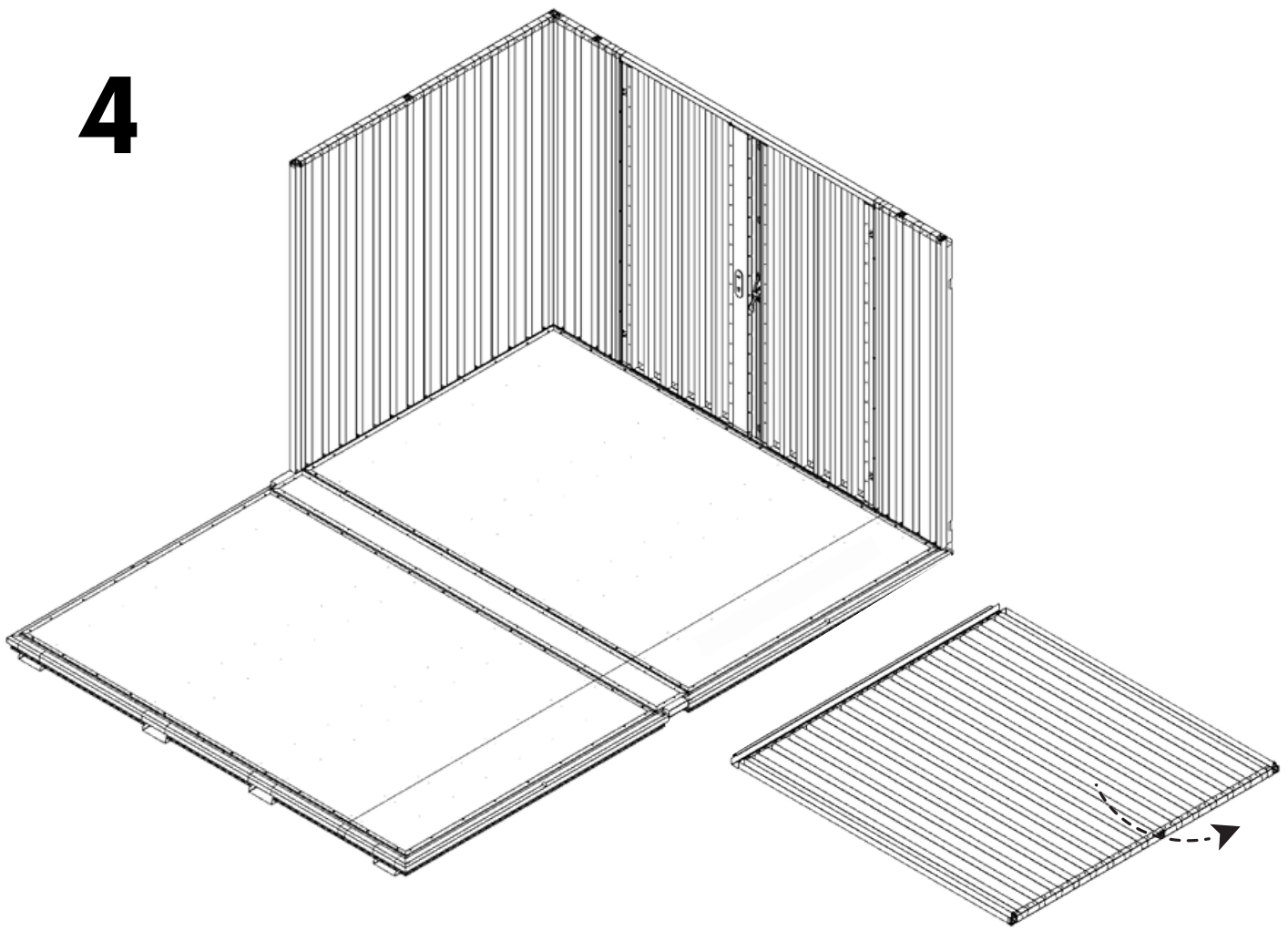


2

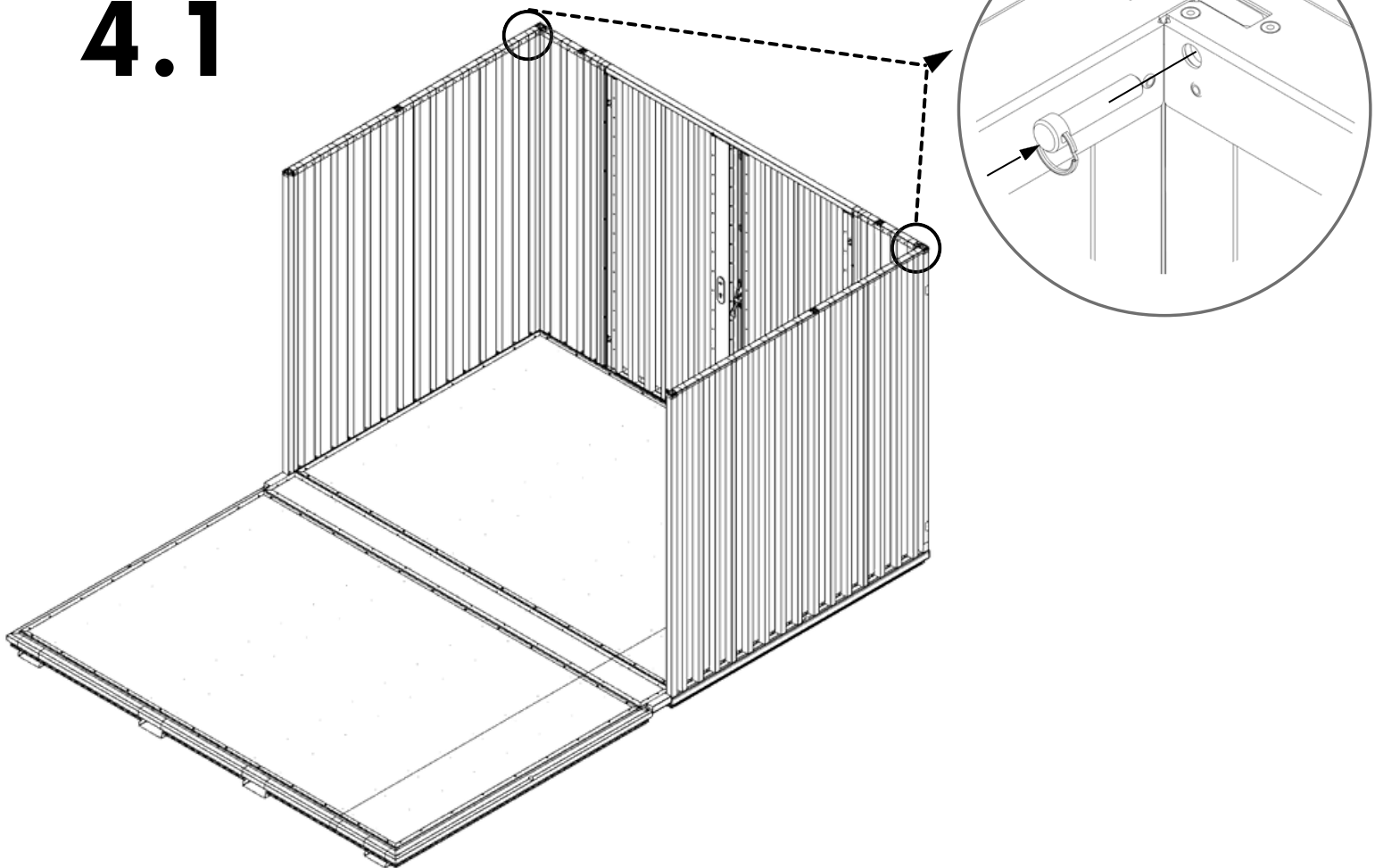




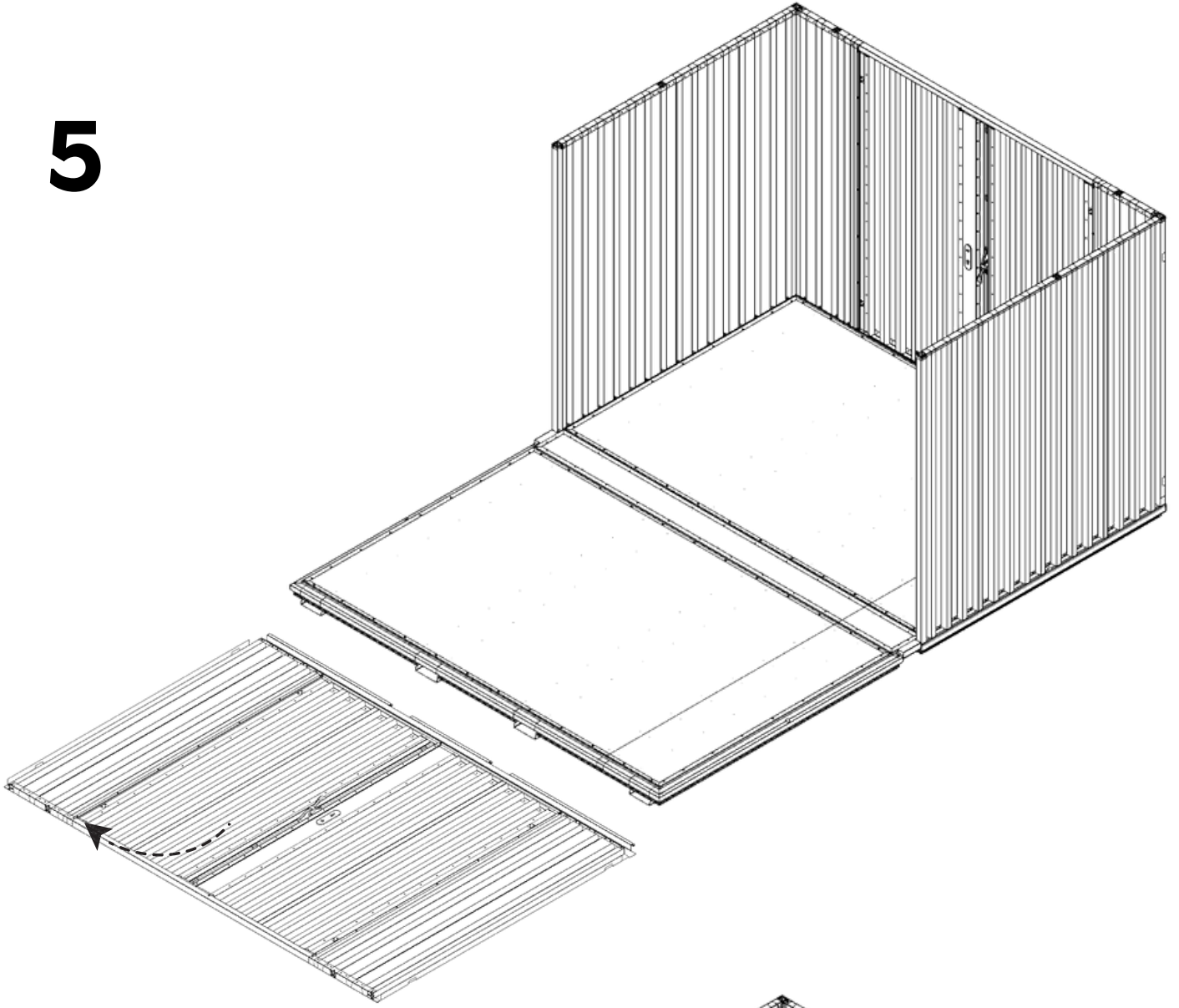
**4**



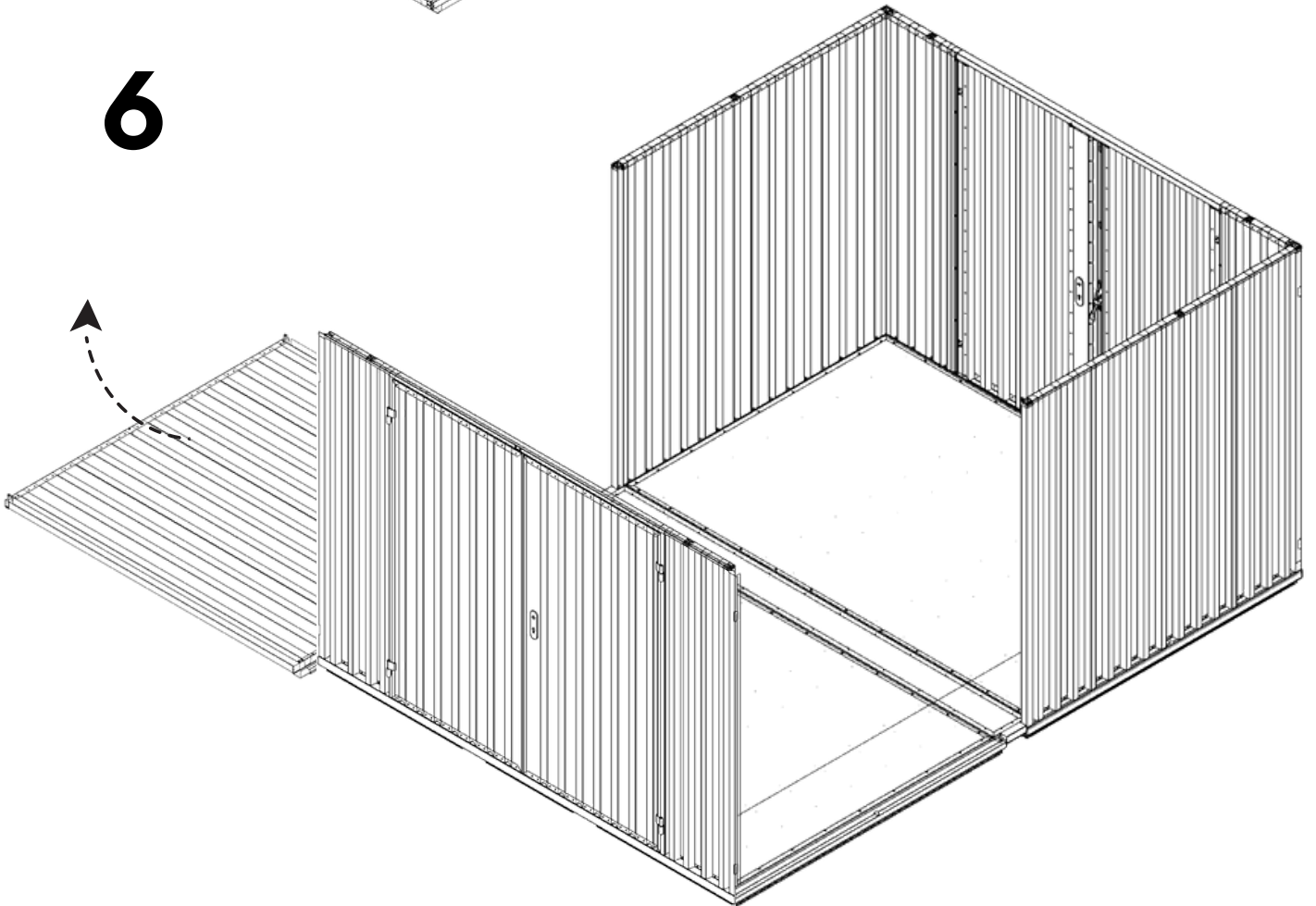
**4.1**



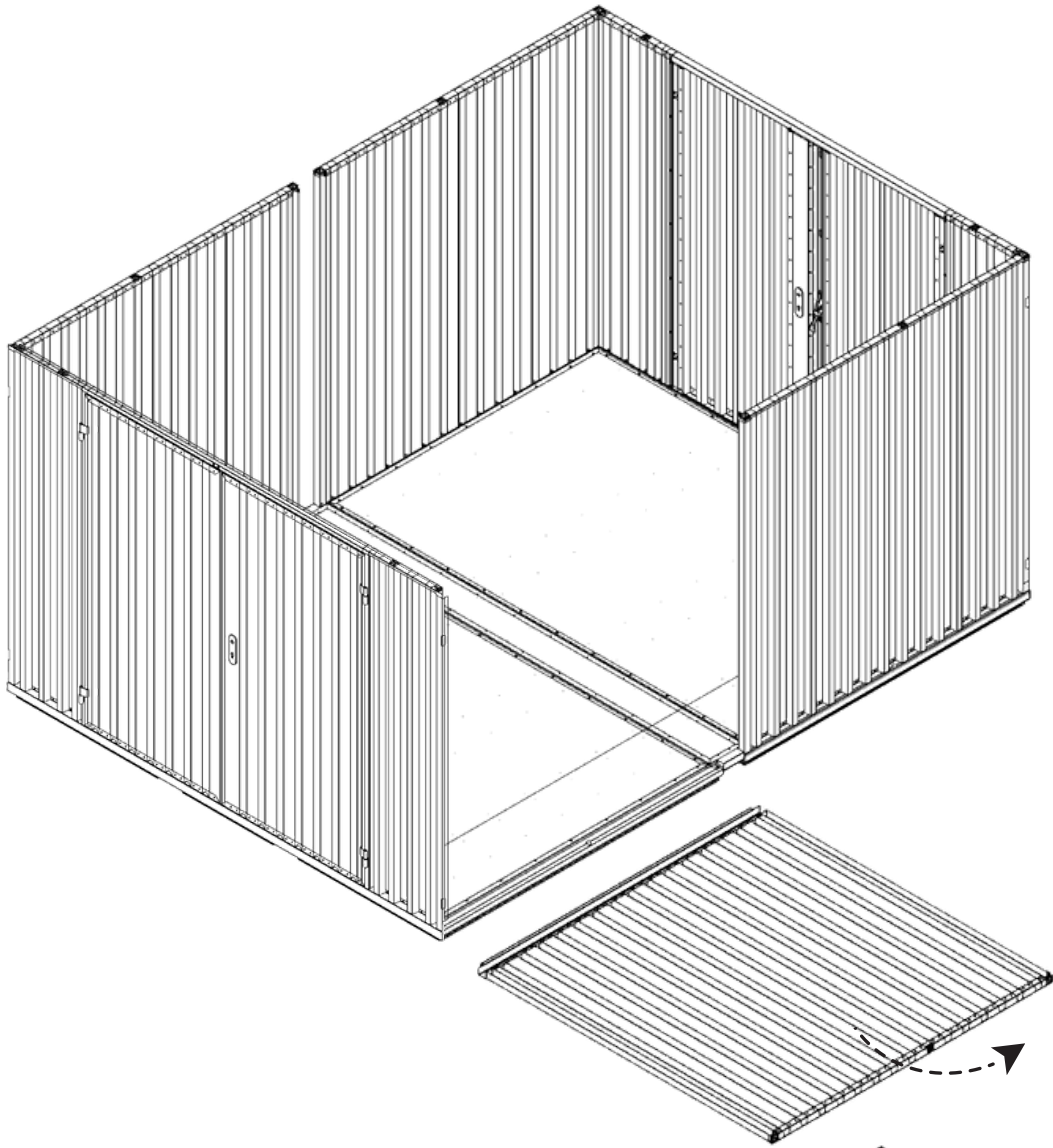
5



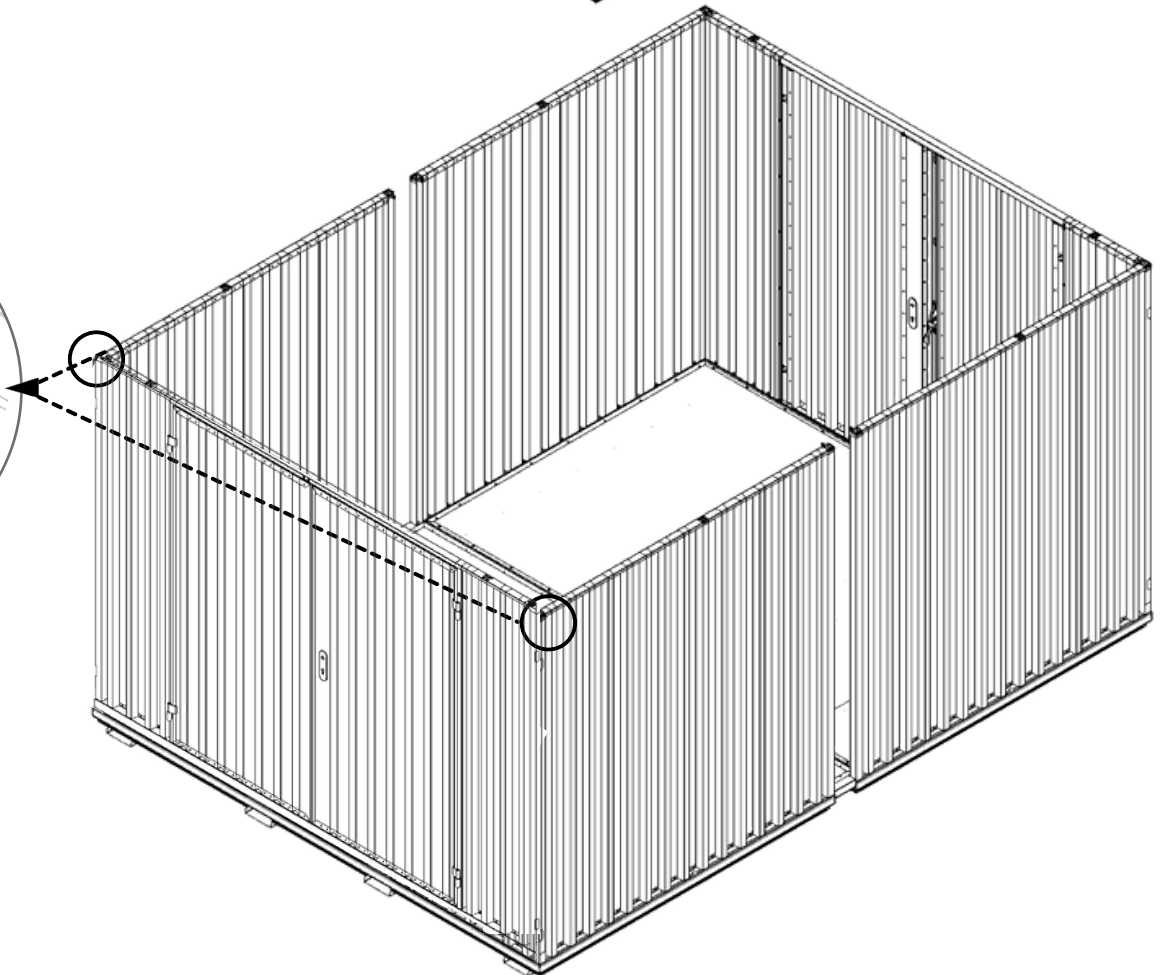
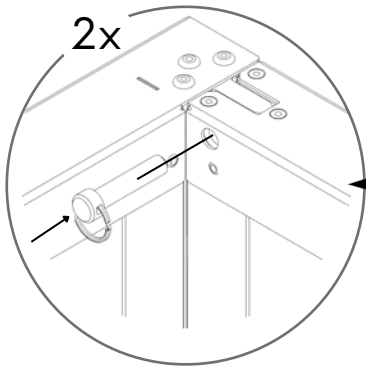
6



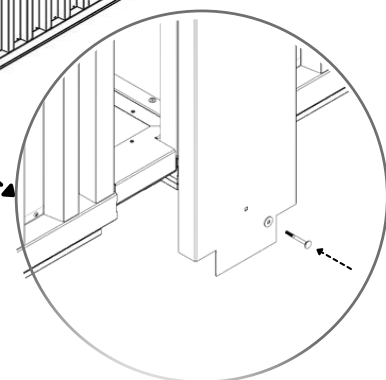
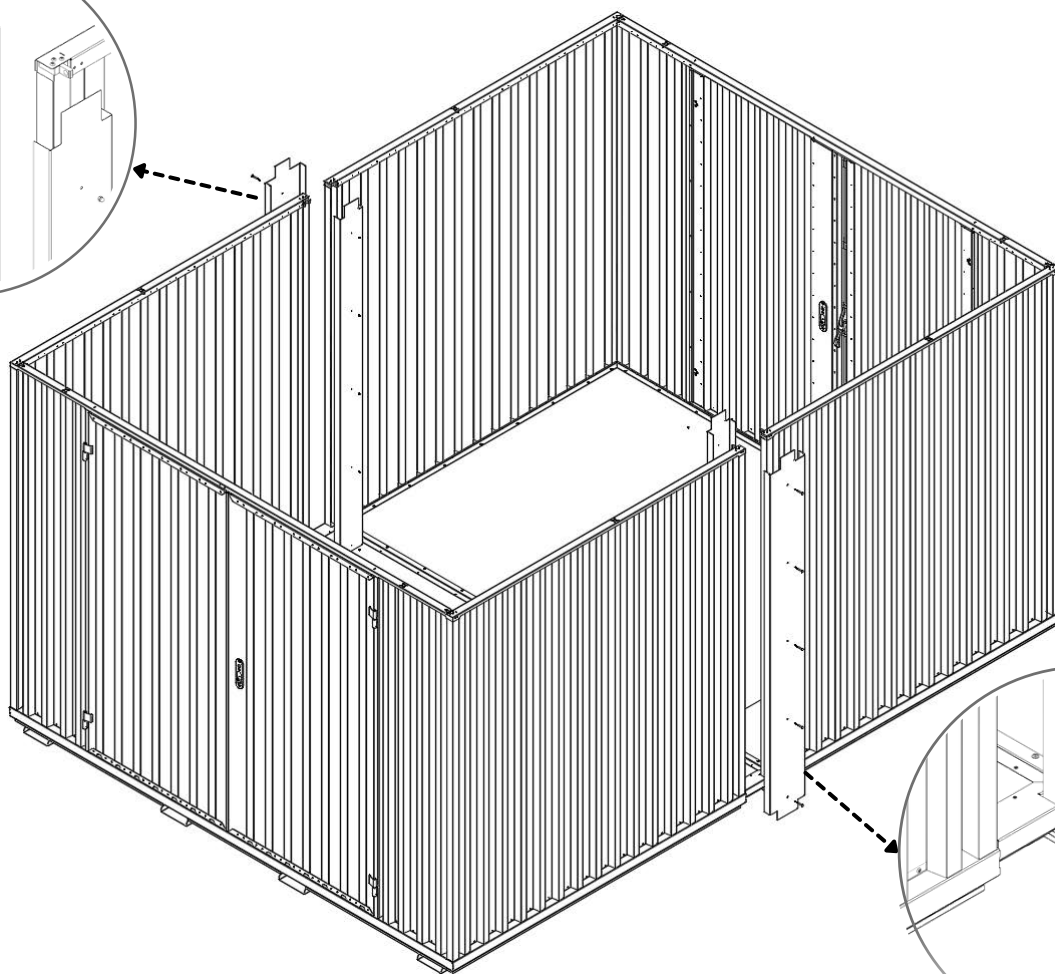
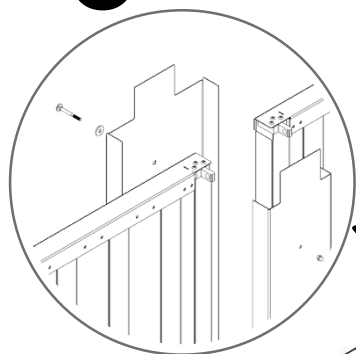
# 7



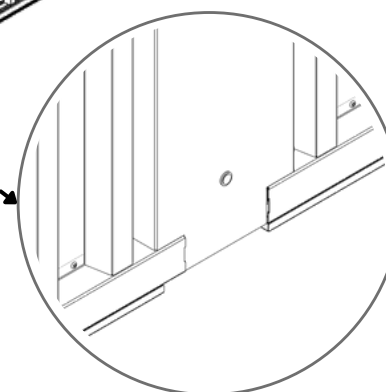
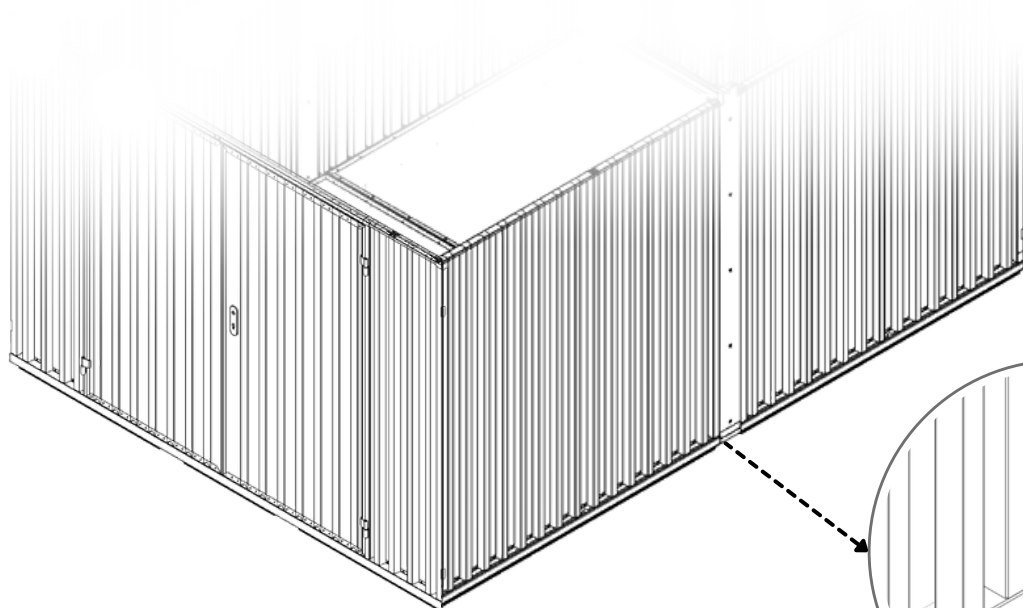
# 7.1



# 8

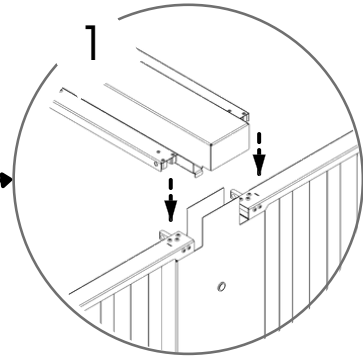
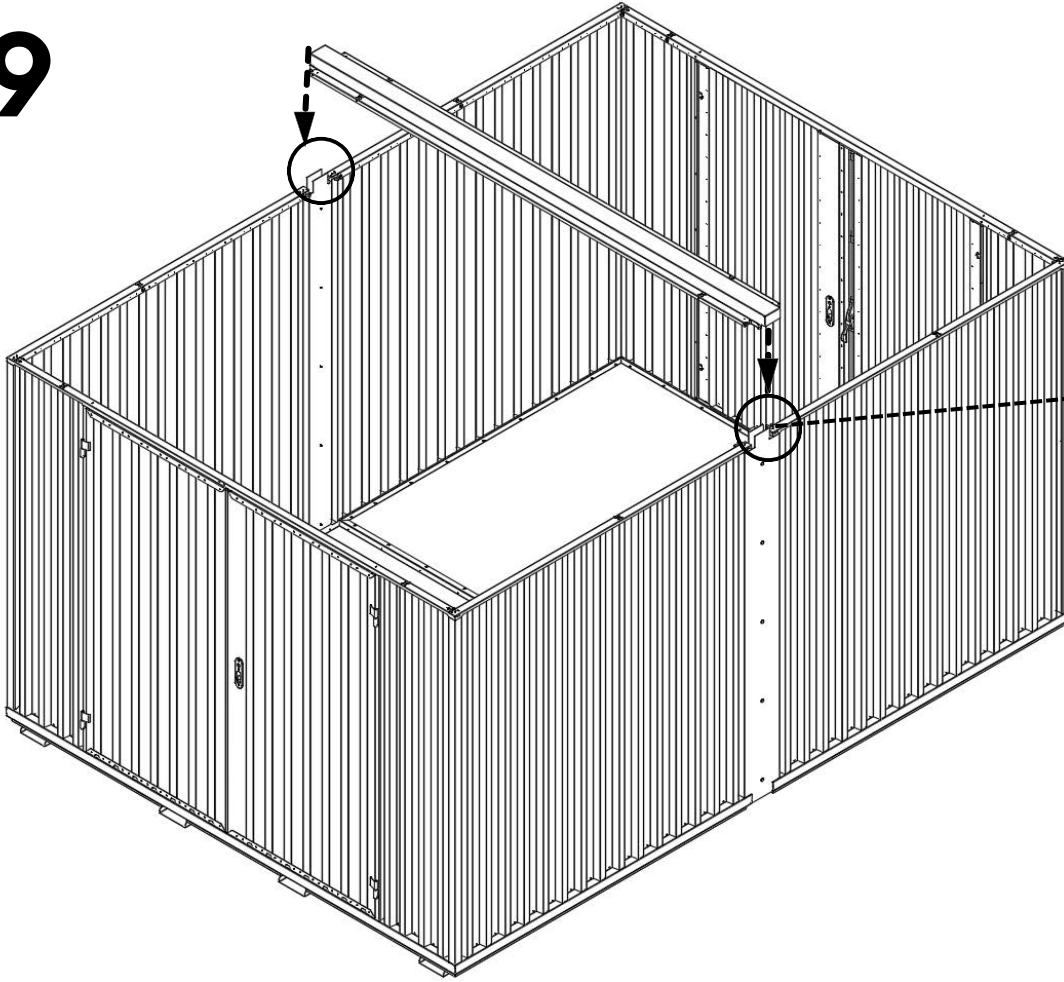


# 8.1

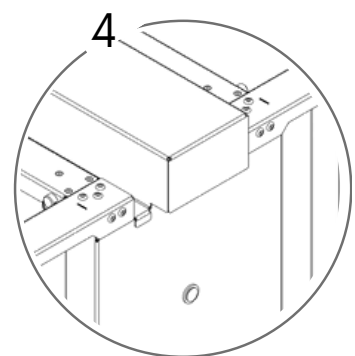
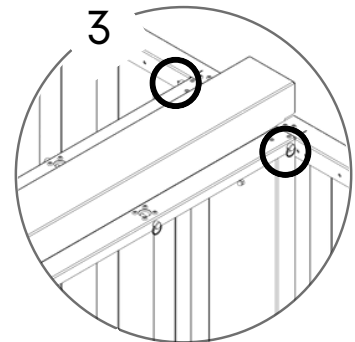
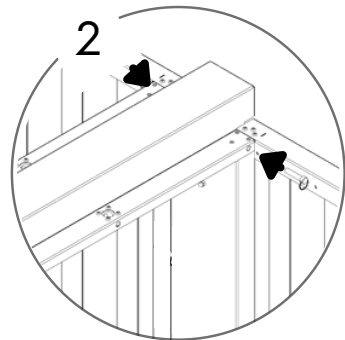
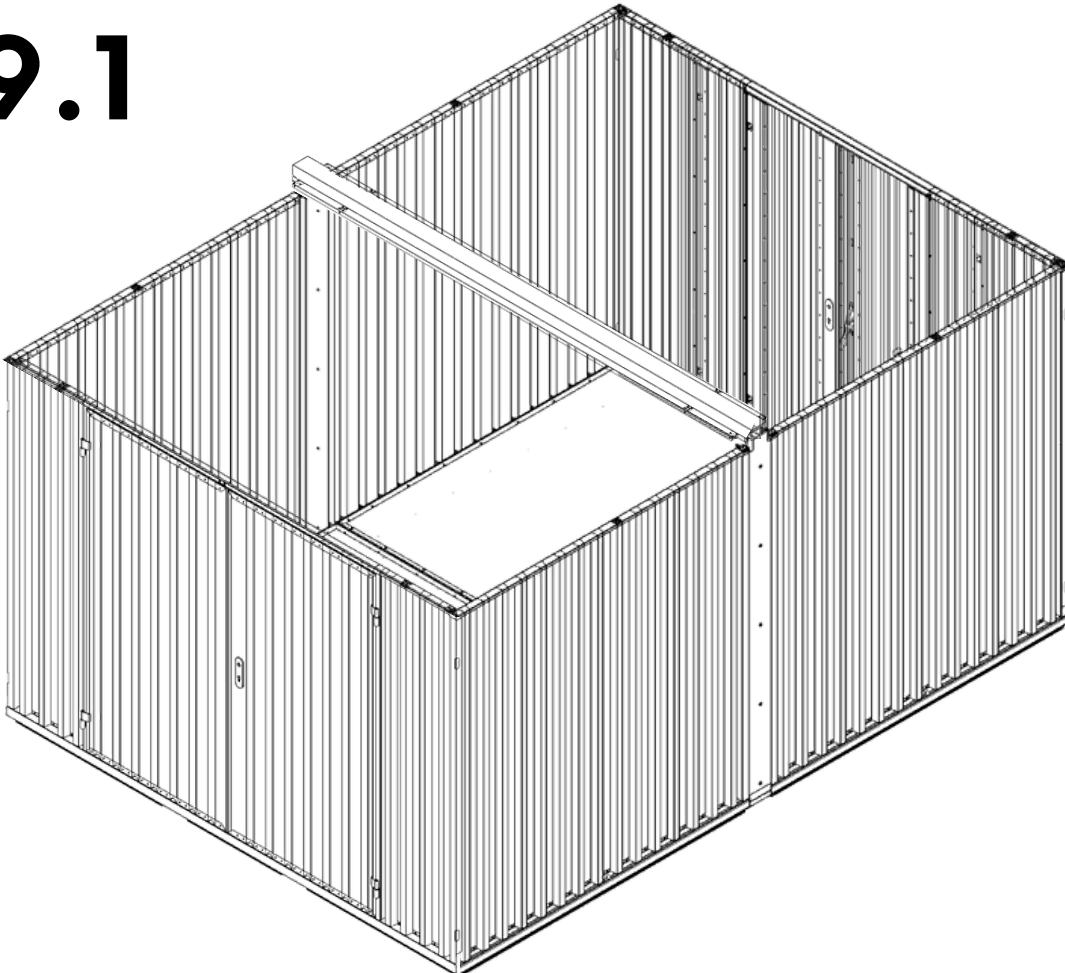












# 9

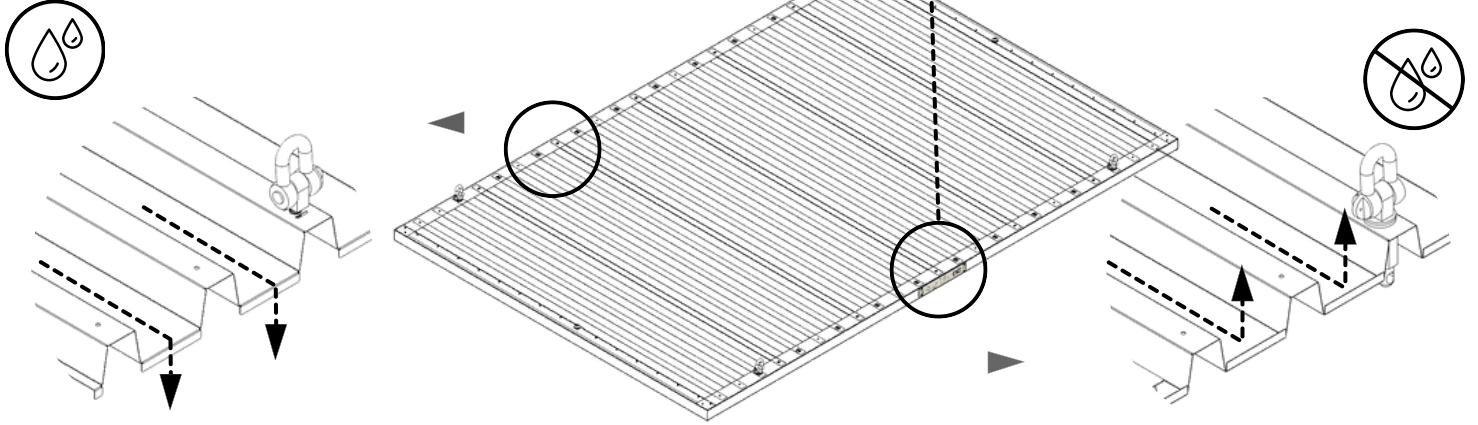


# 9.1

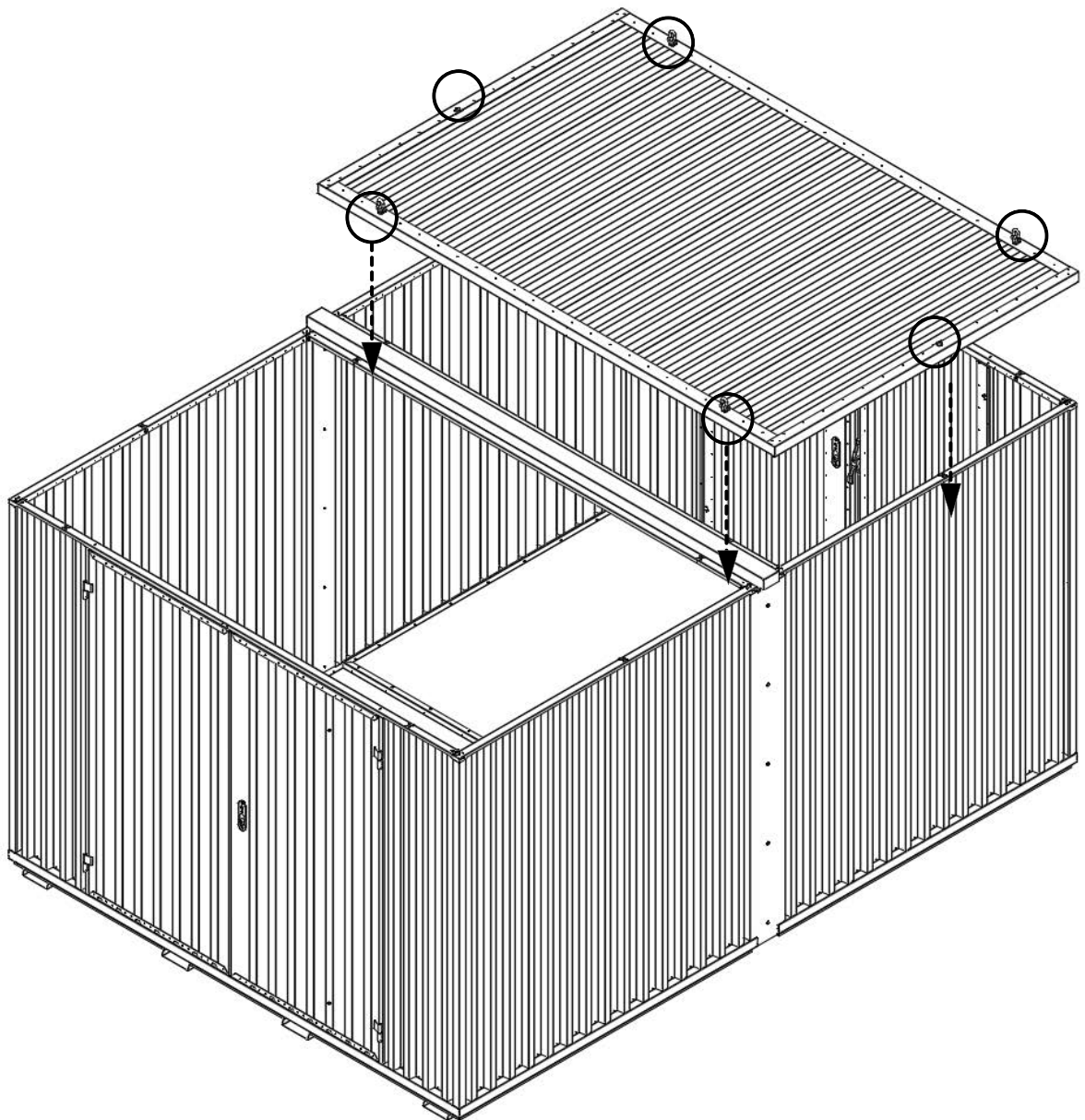




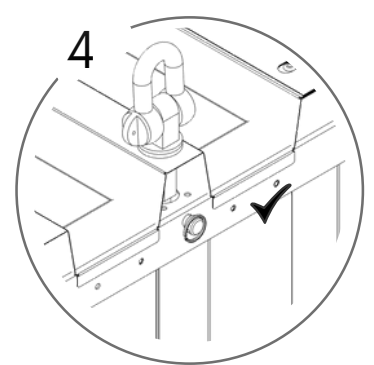
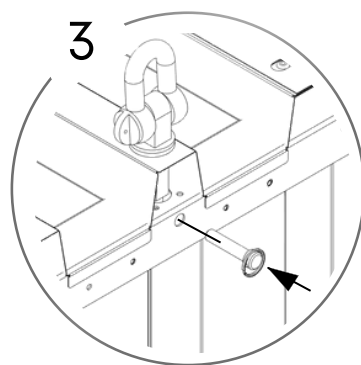
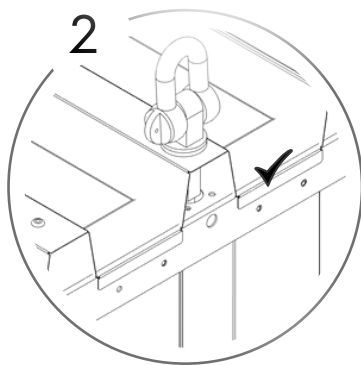
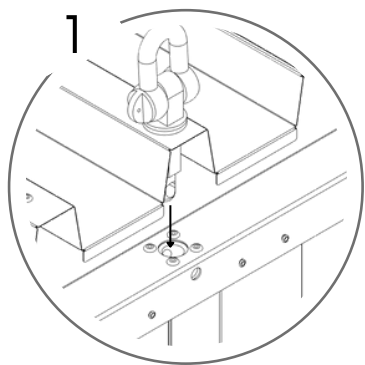
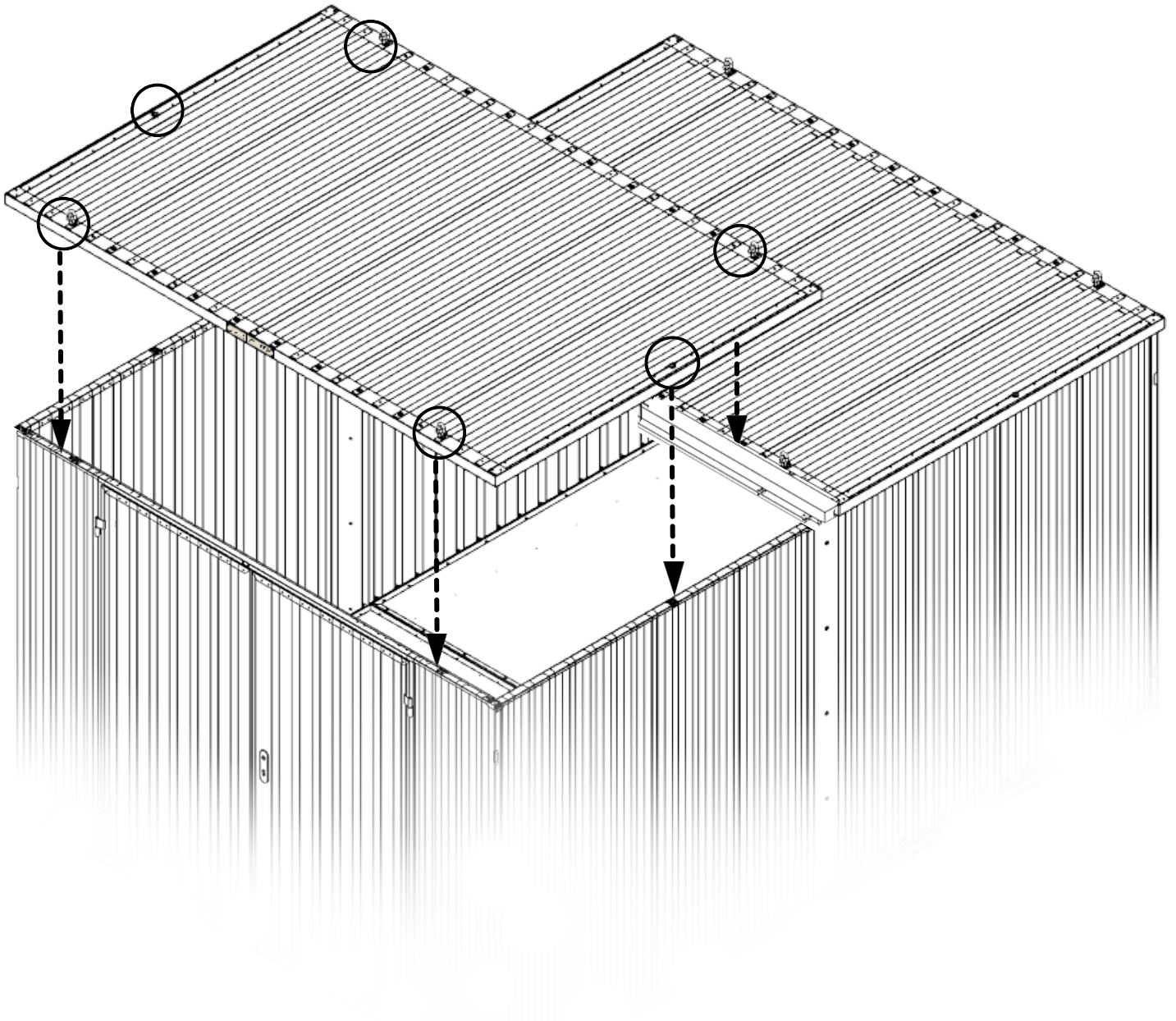
 644 KG	 1640 MM	Model Code: 303.110.430.431 Production Tracking Code: ...../X09.1.303.430.431	 9001	 14001	 50001			
---	--	---	---	--	---	---	---	---



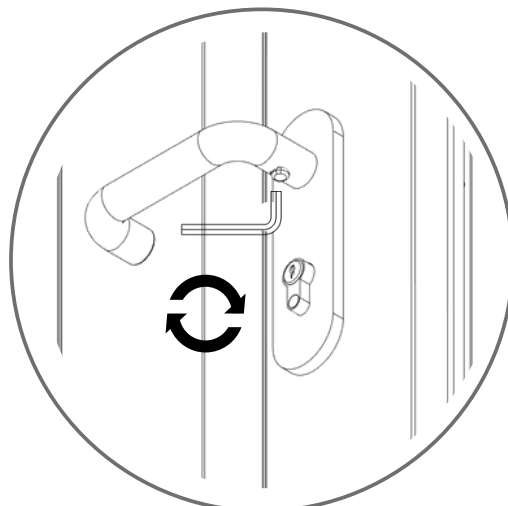
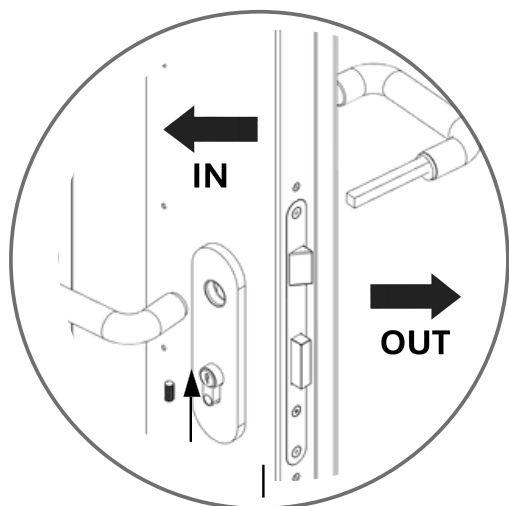
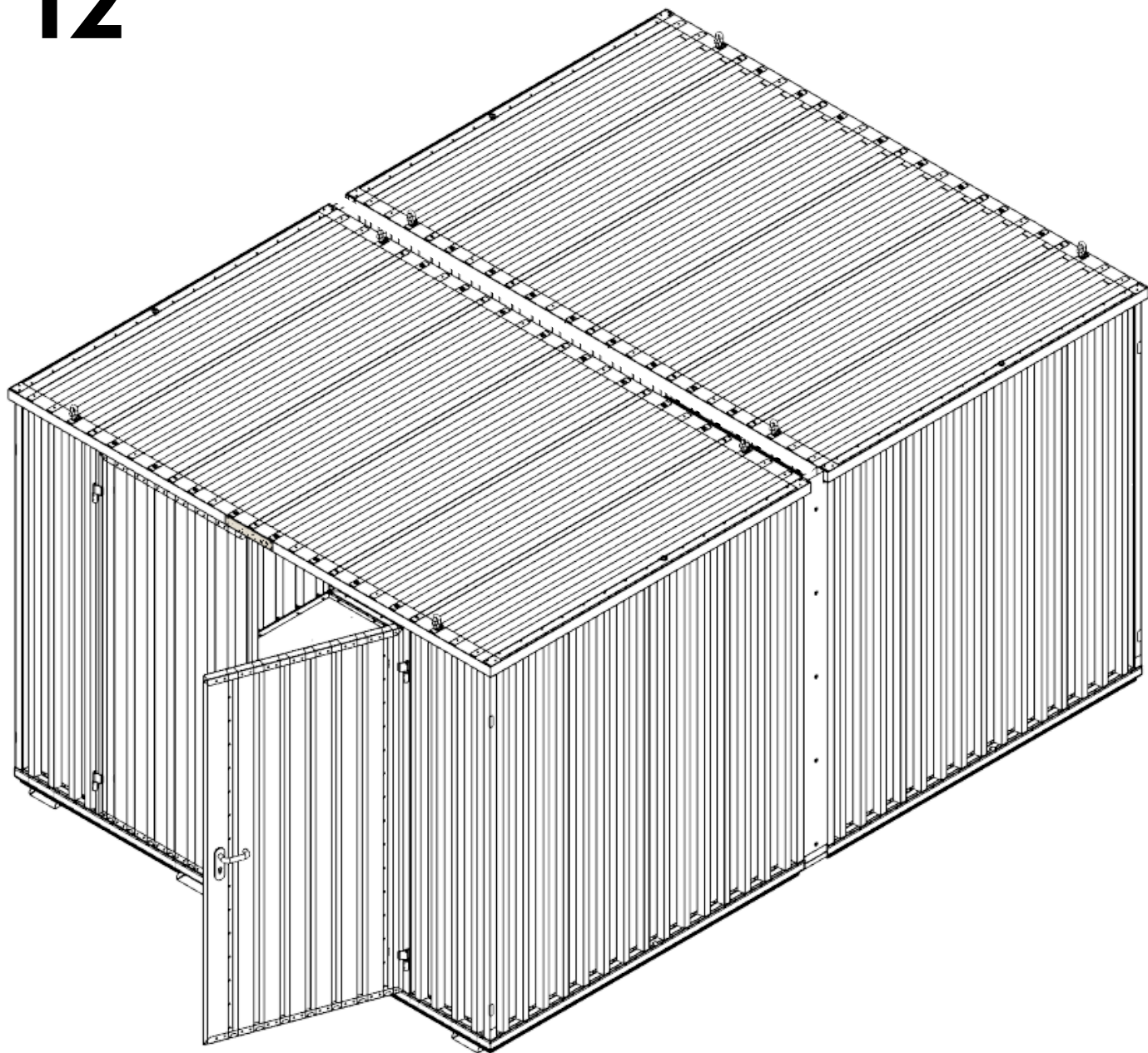
10



# 11



# 12



13

