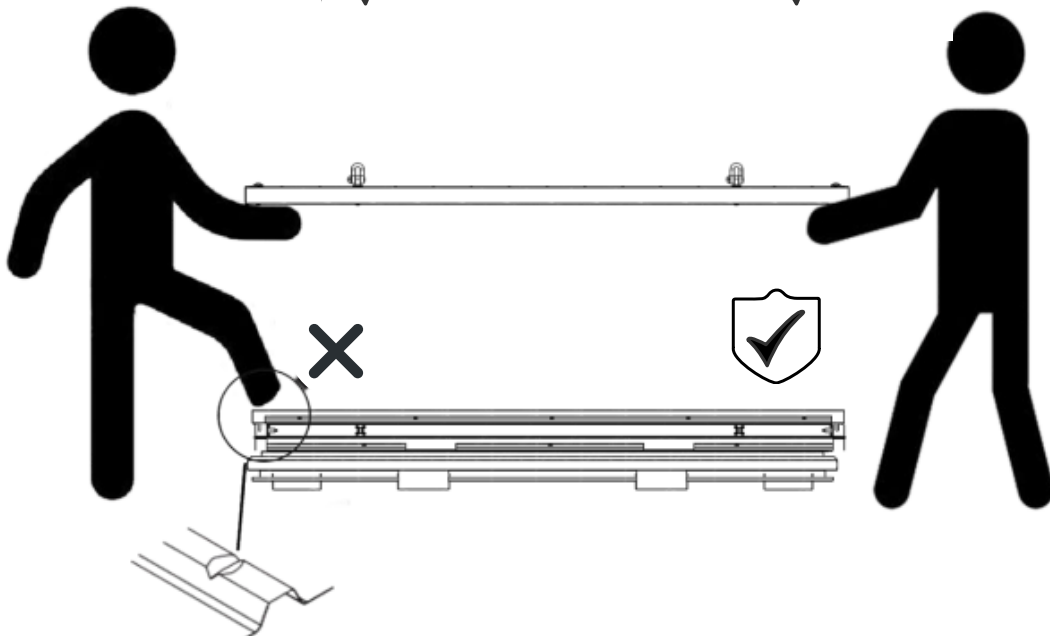
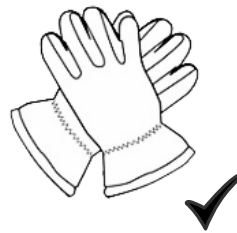


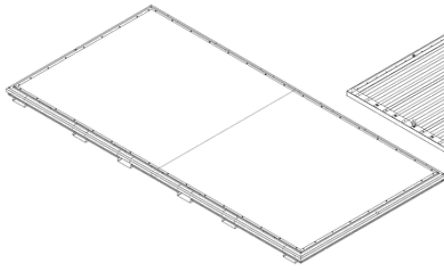
PRODUCT CODE: 40.110.320.321

prefabase
Quick Build Solutions

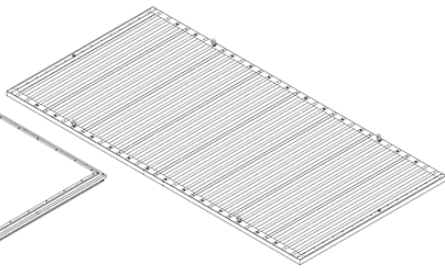
Instructions and User Guide



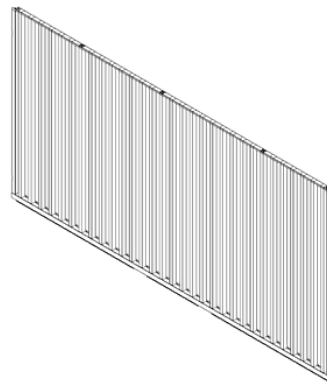
40.0110
1x



40.0510
1x



40.0410
2x



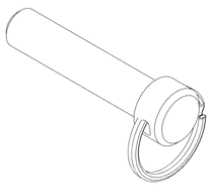
0320
2x



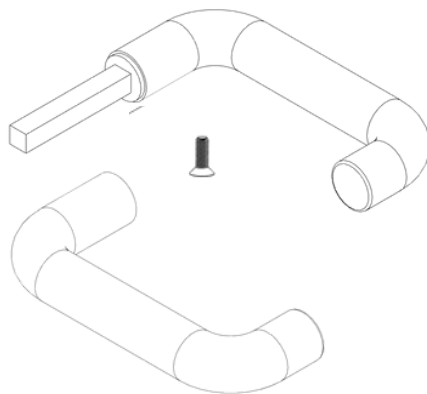
61.101
4x



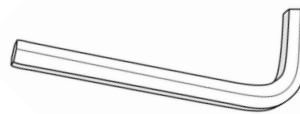
12x



2x



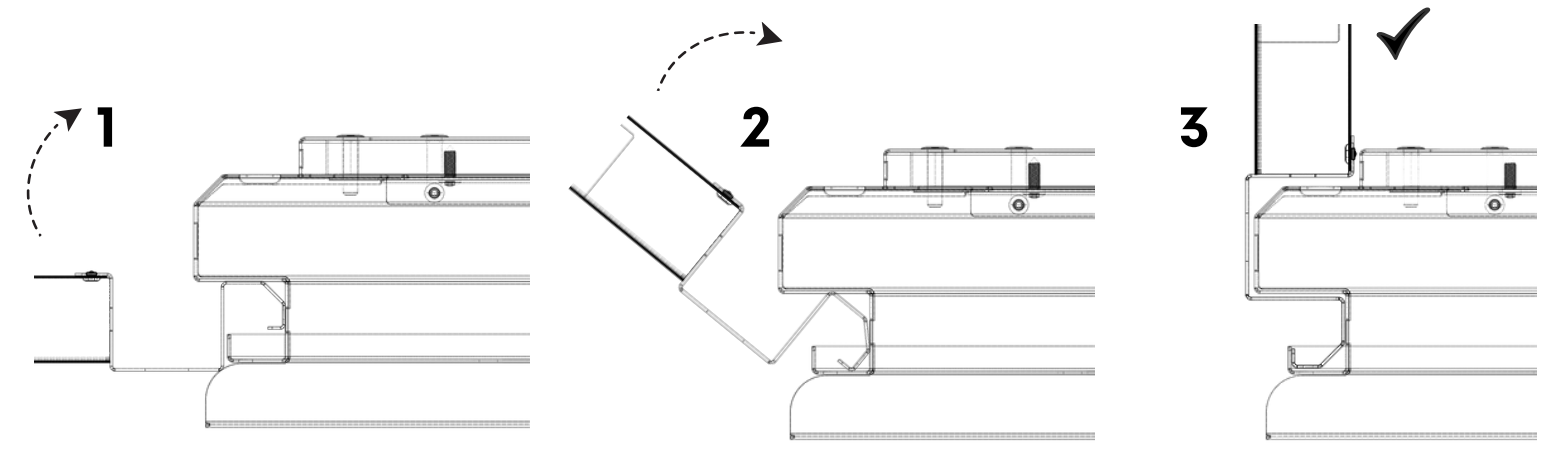
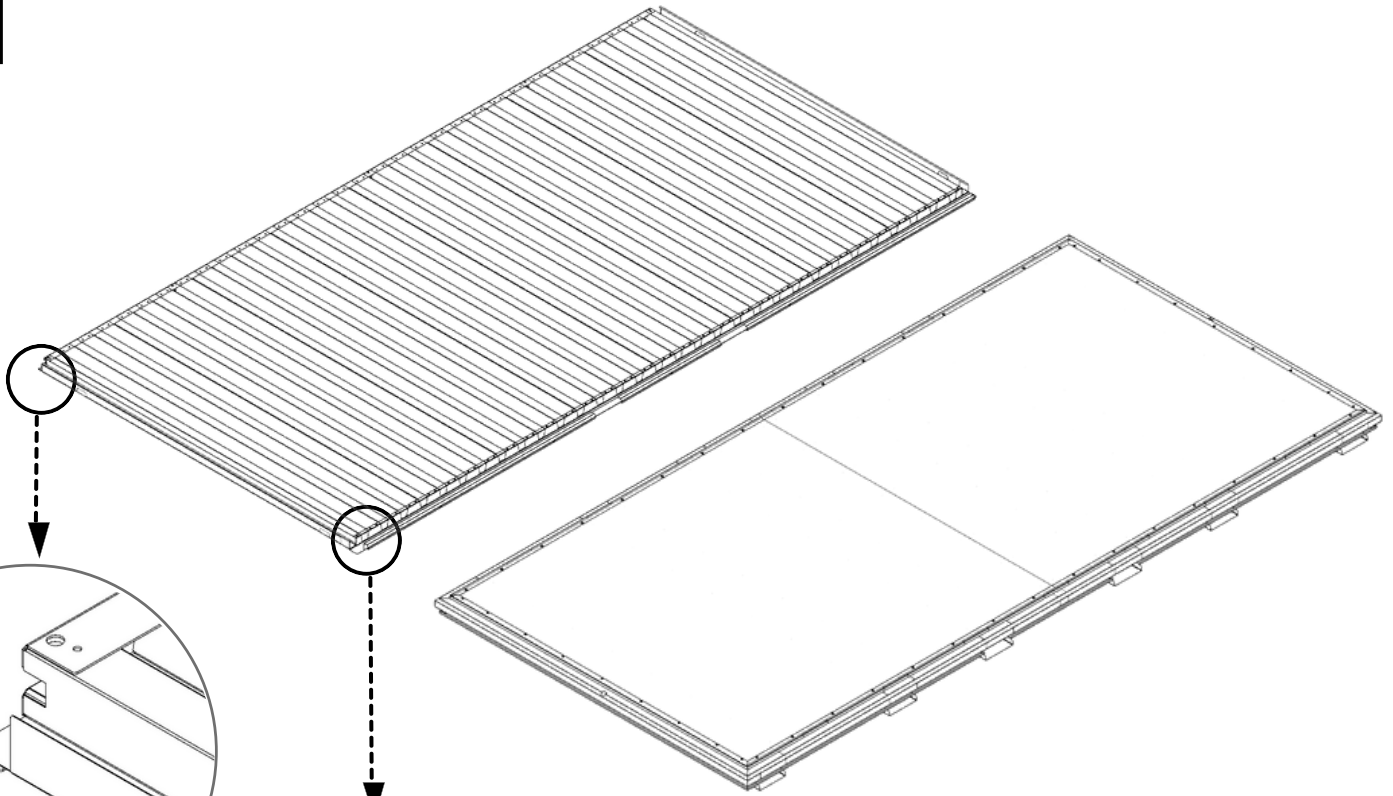
1x



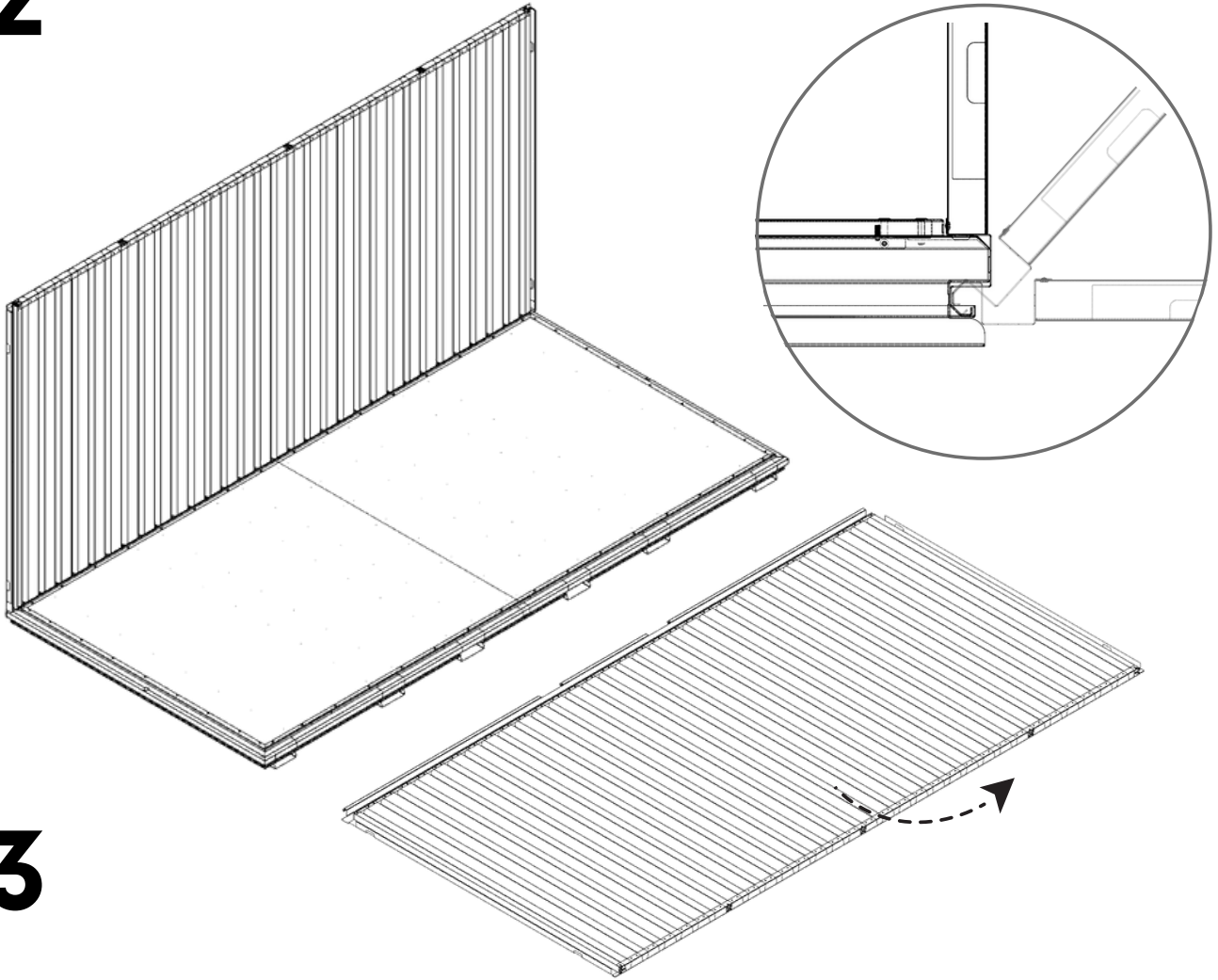
2x



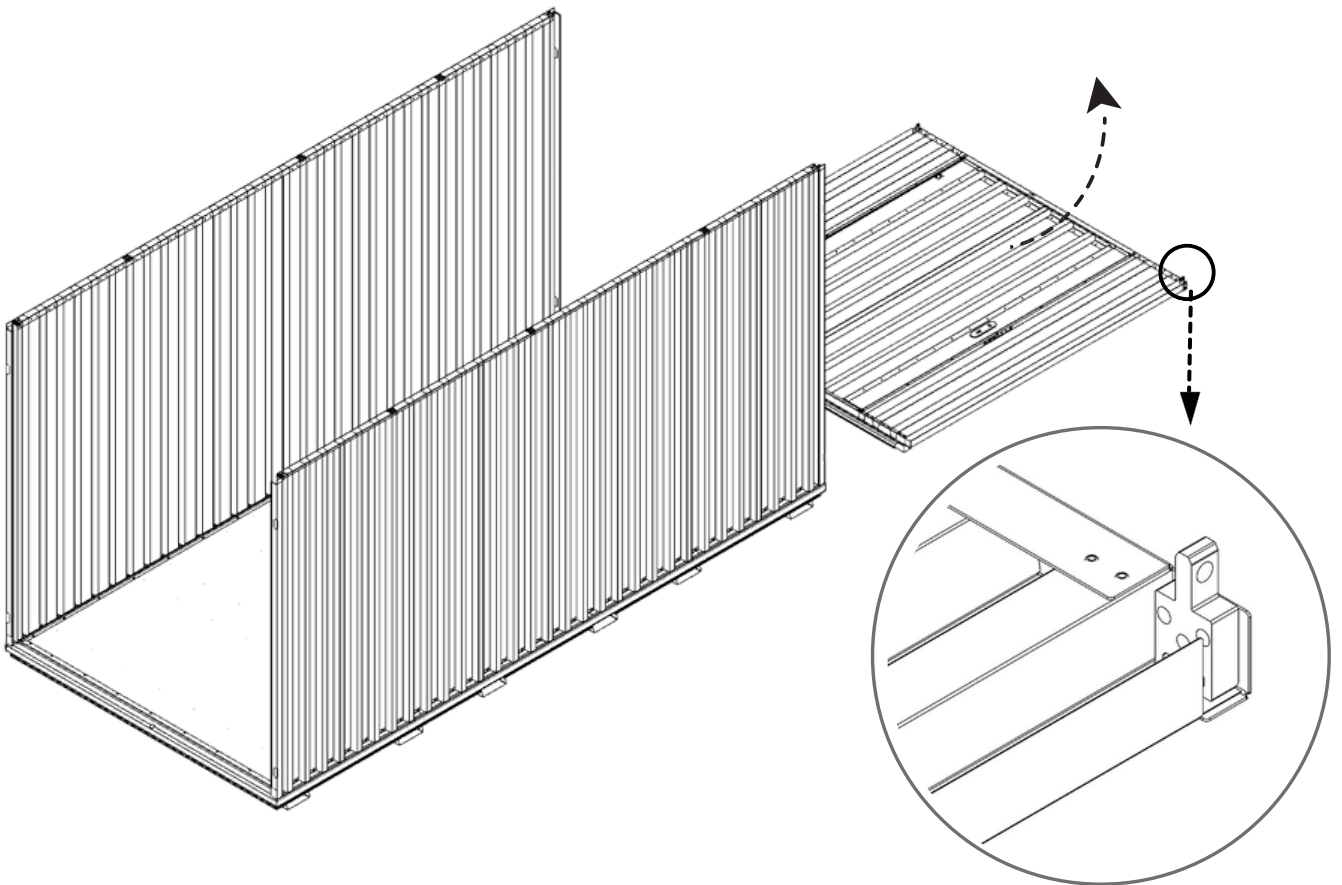
1



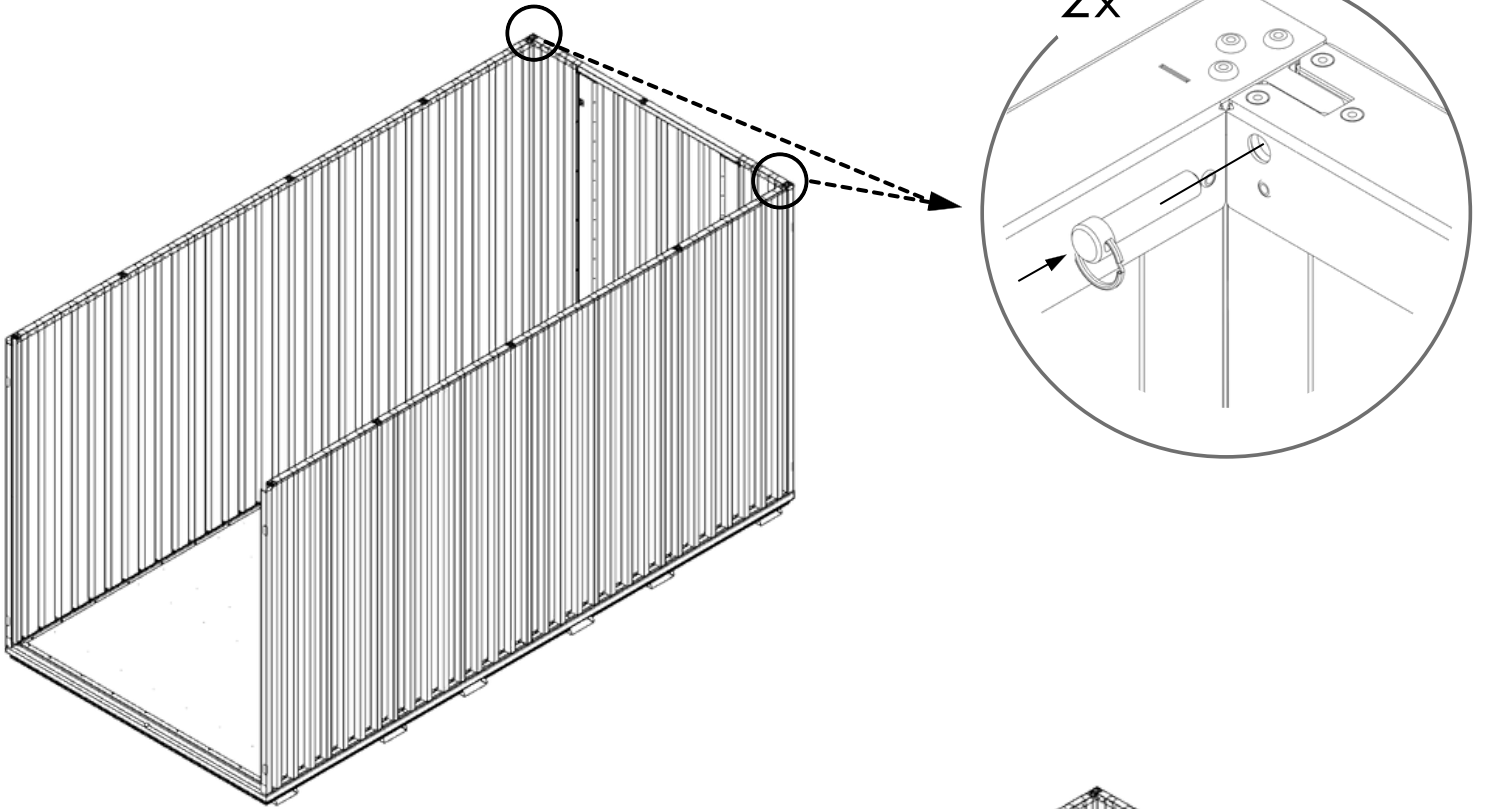
2



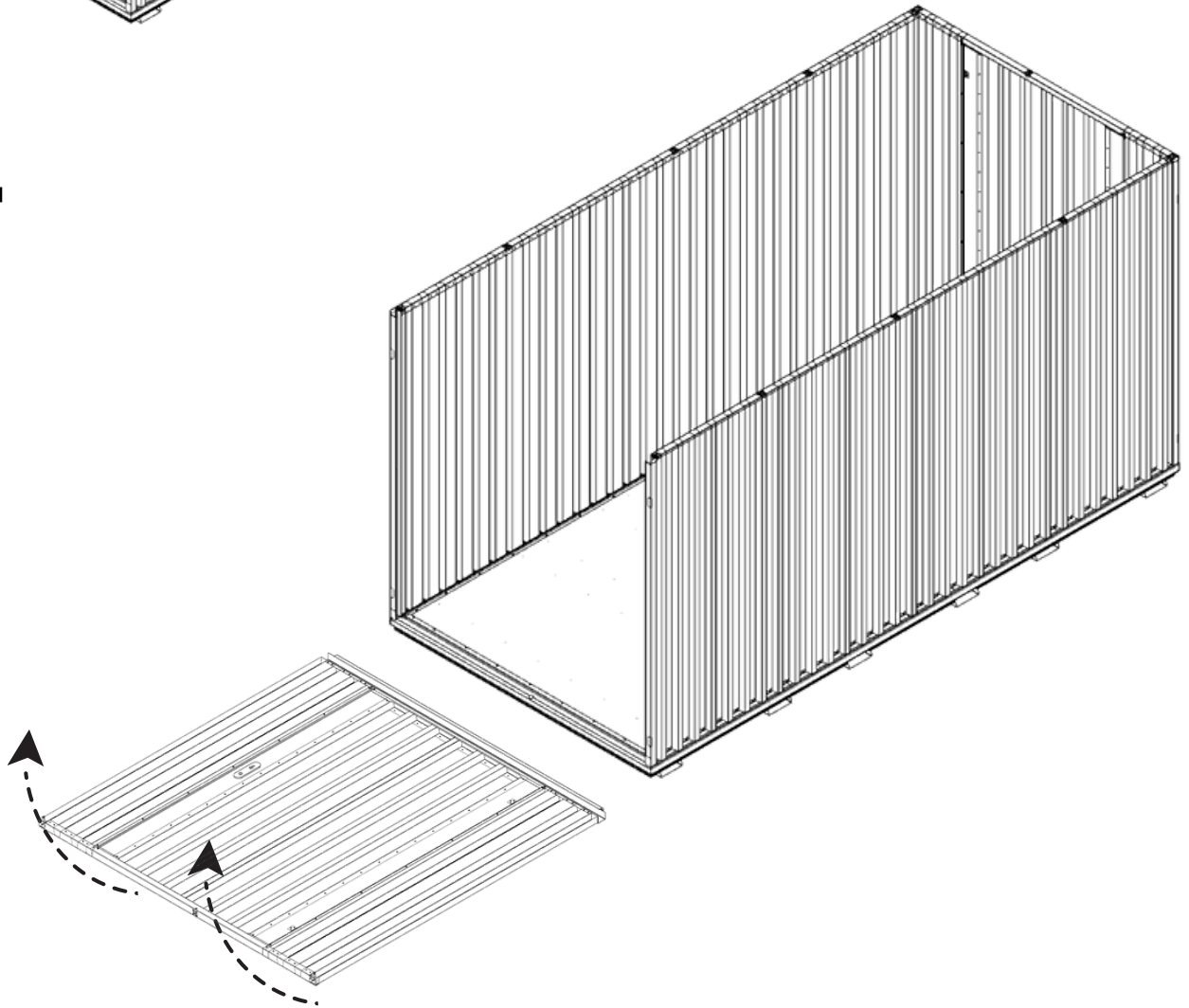
3



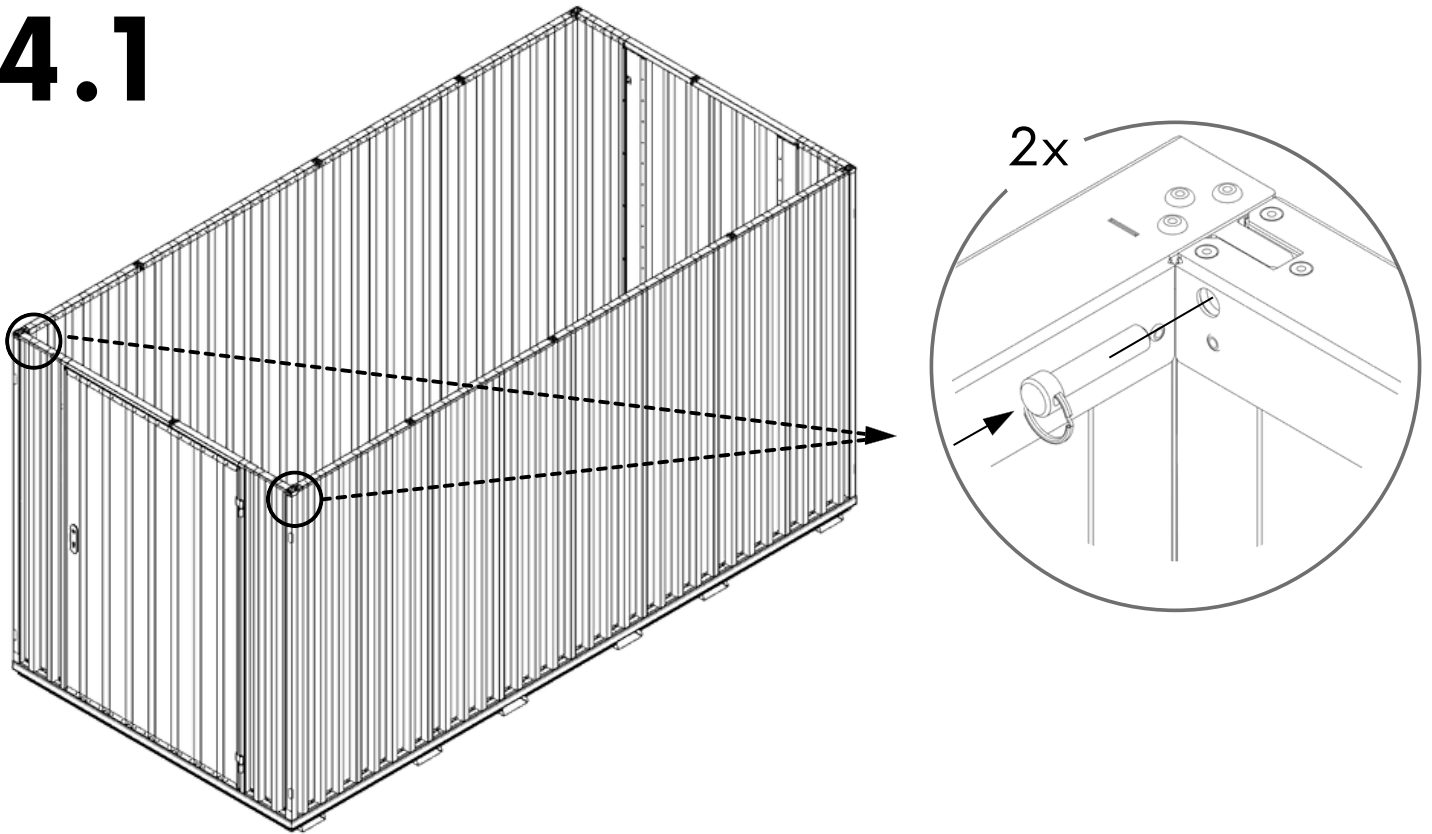
3.1











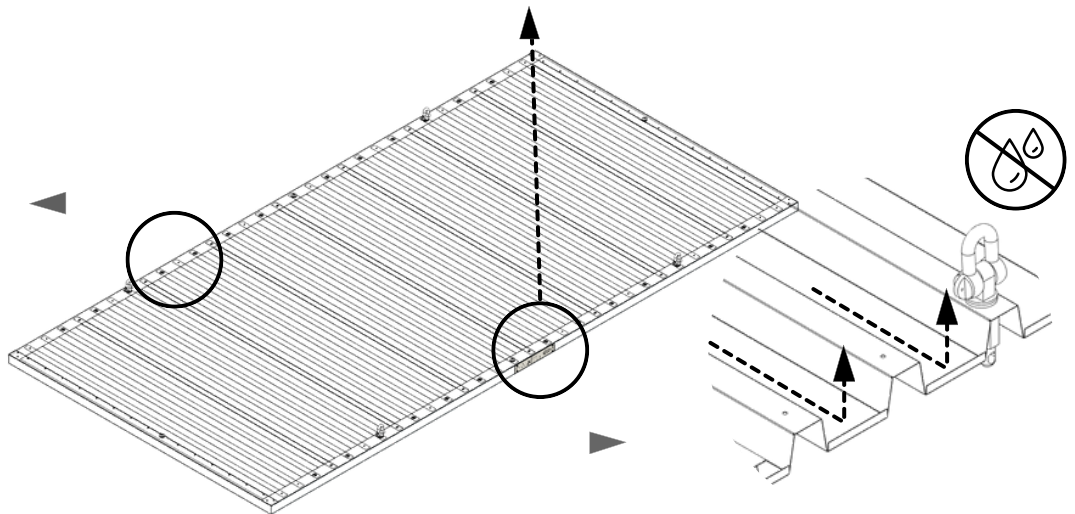
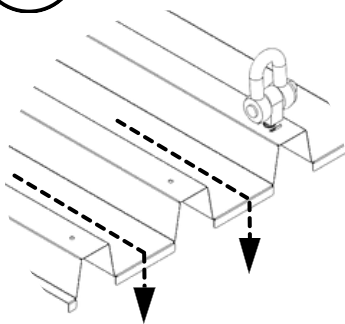
4



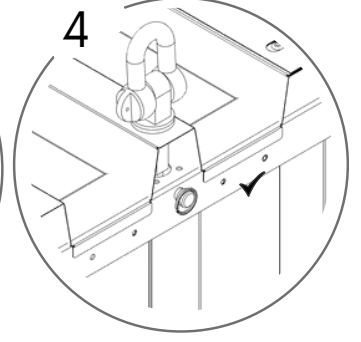
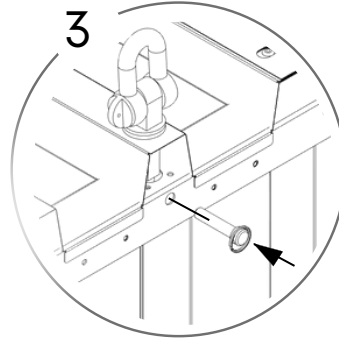
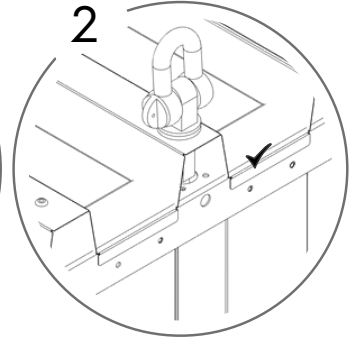
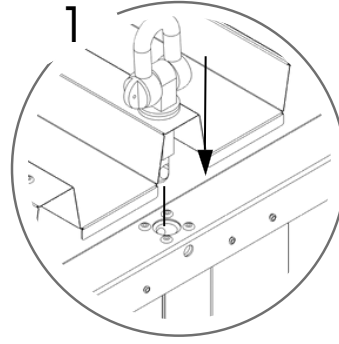
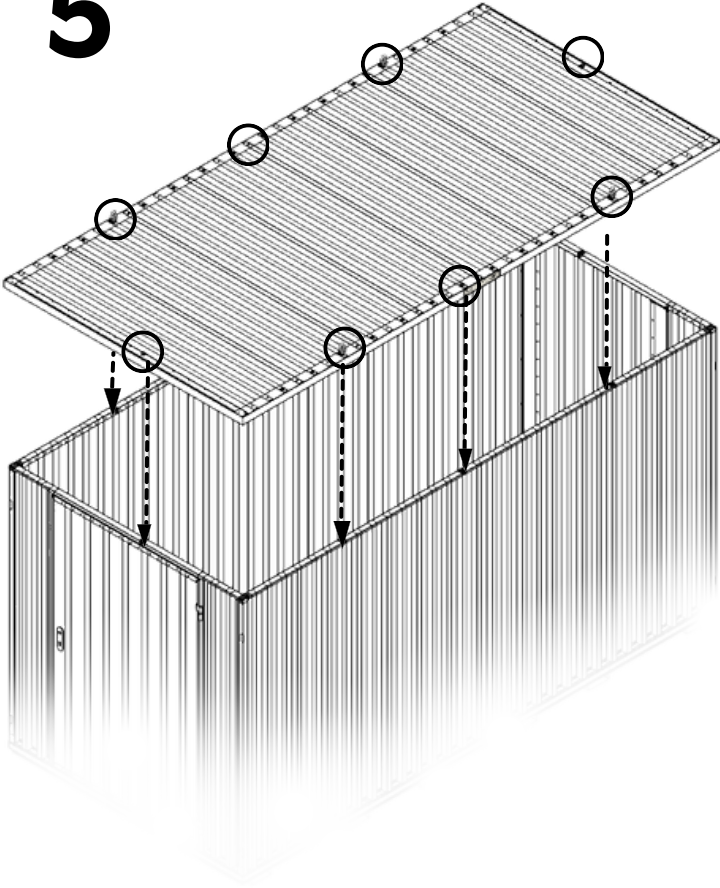
4.1



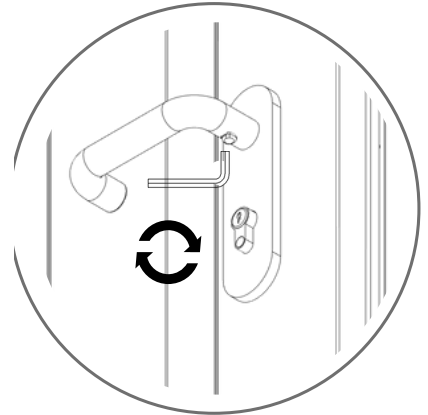
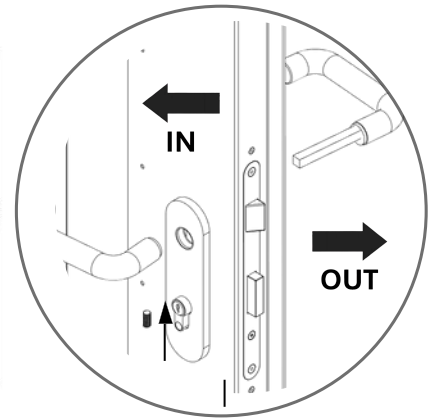
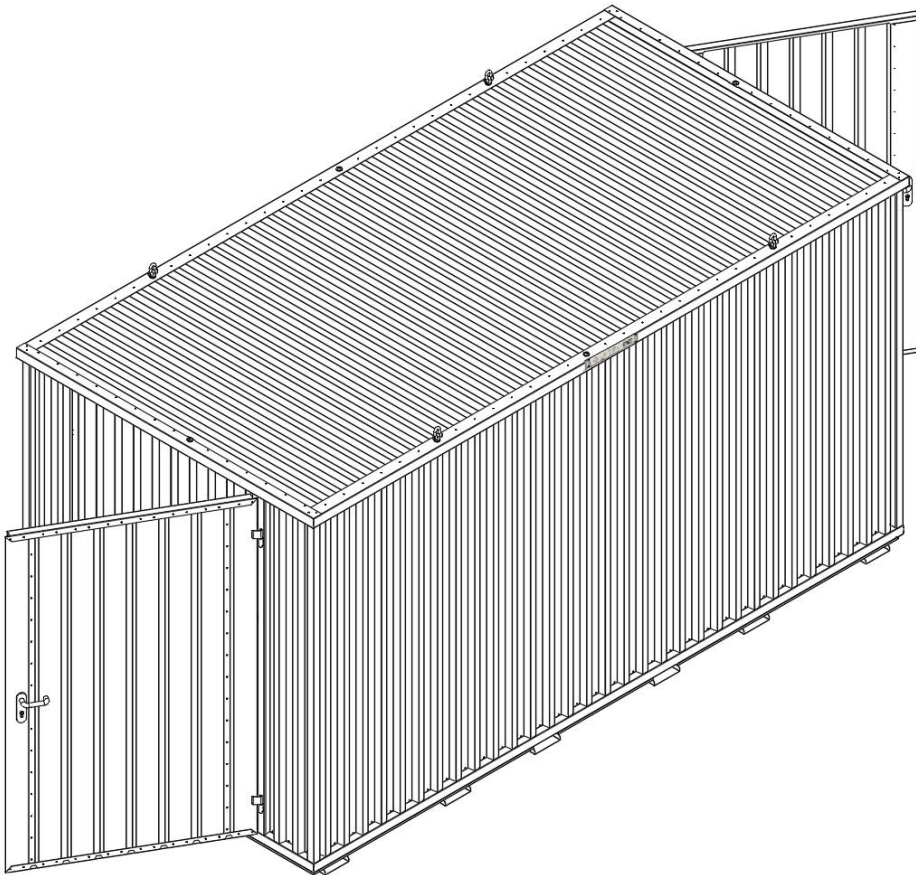
 438 KG	 1640 MM	Model Code: 40.110.320.321 Production Tracking Code:/X09.1.40.320.321    9001 14001 50001	 	
---	--	--	---	---



5



6



7

