



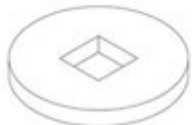

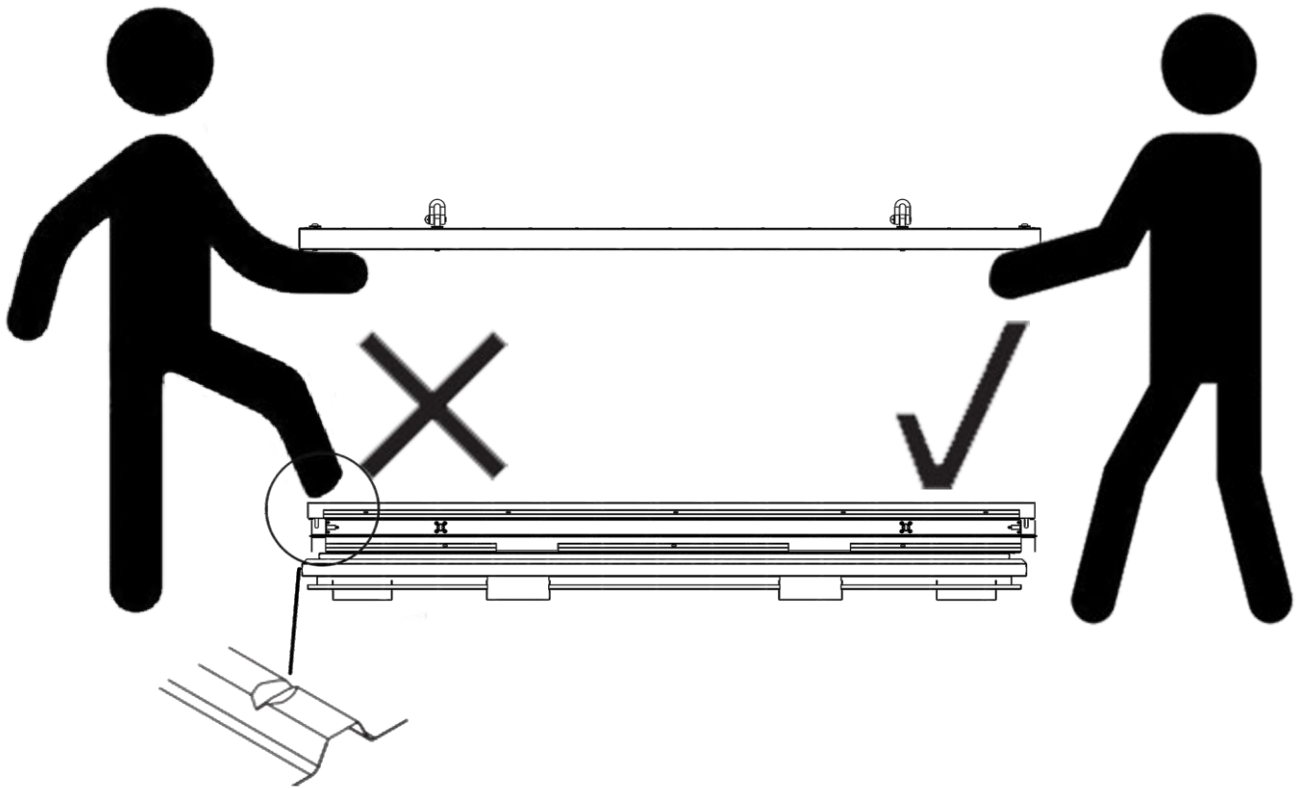
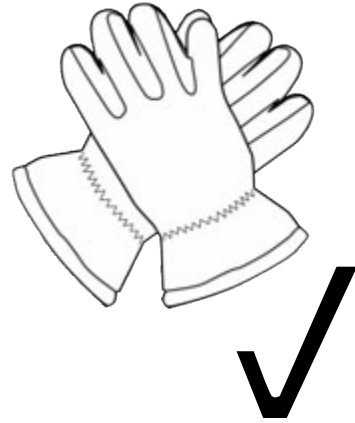


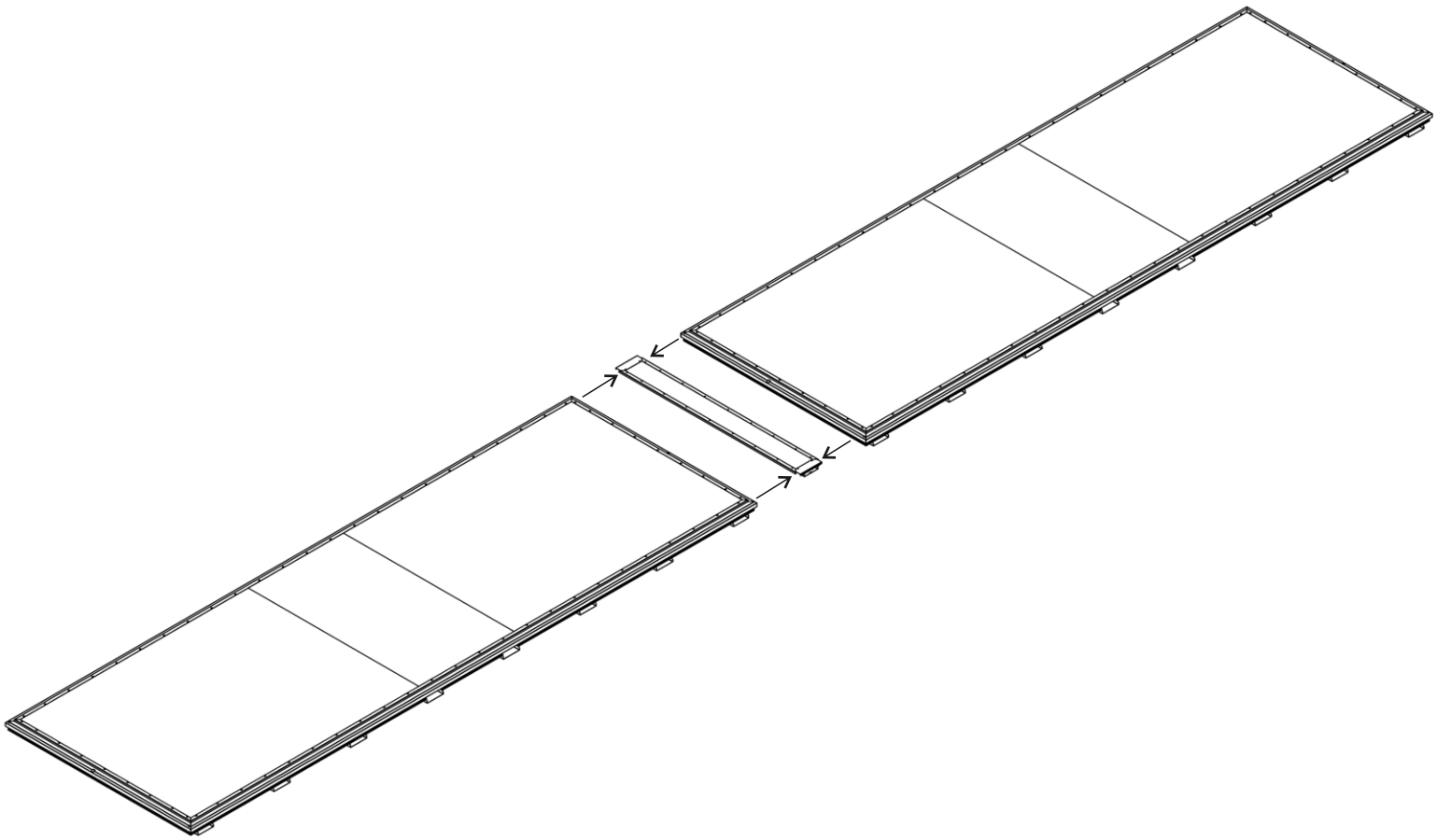
**PRODUCT CODE : 6060.110.450.330**



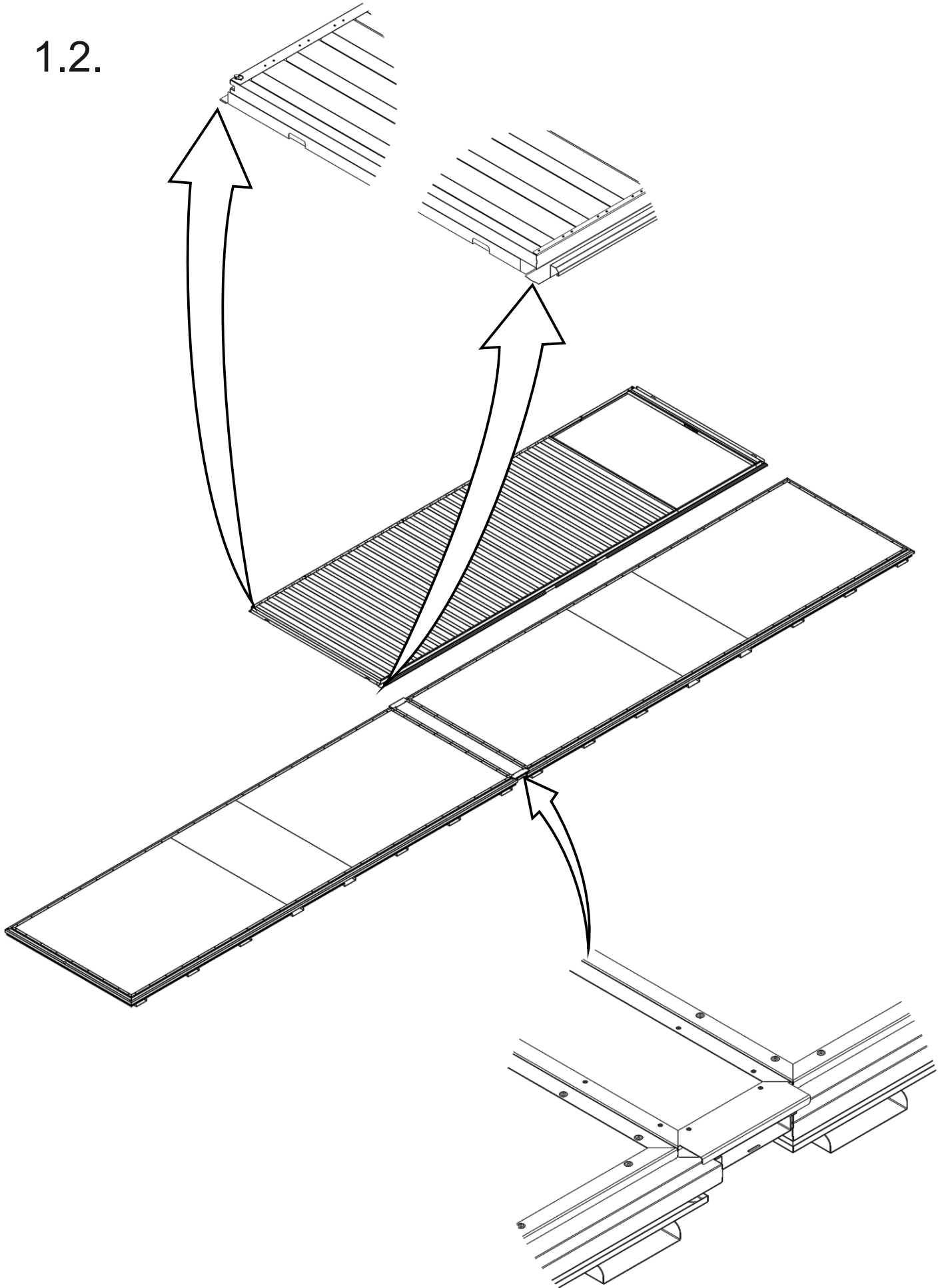
	28 pcs.
	2 pcs.
	2 pcs.
	10 pcs.
	10 pcs.
	10 pcs.



1.1.

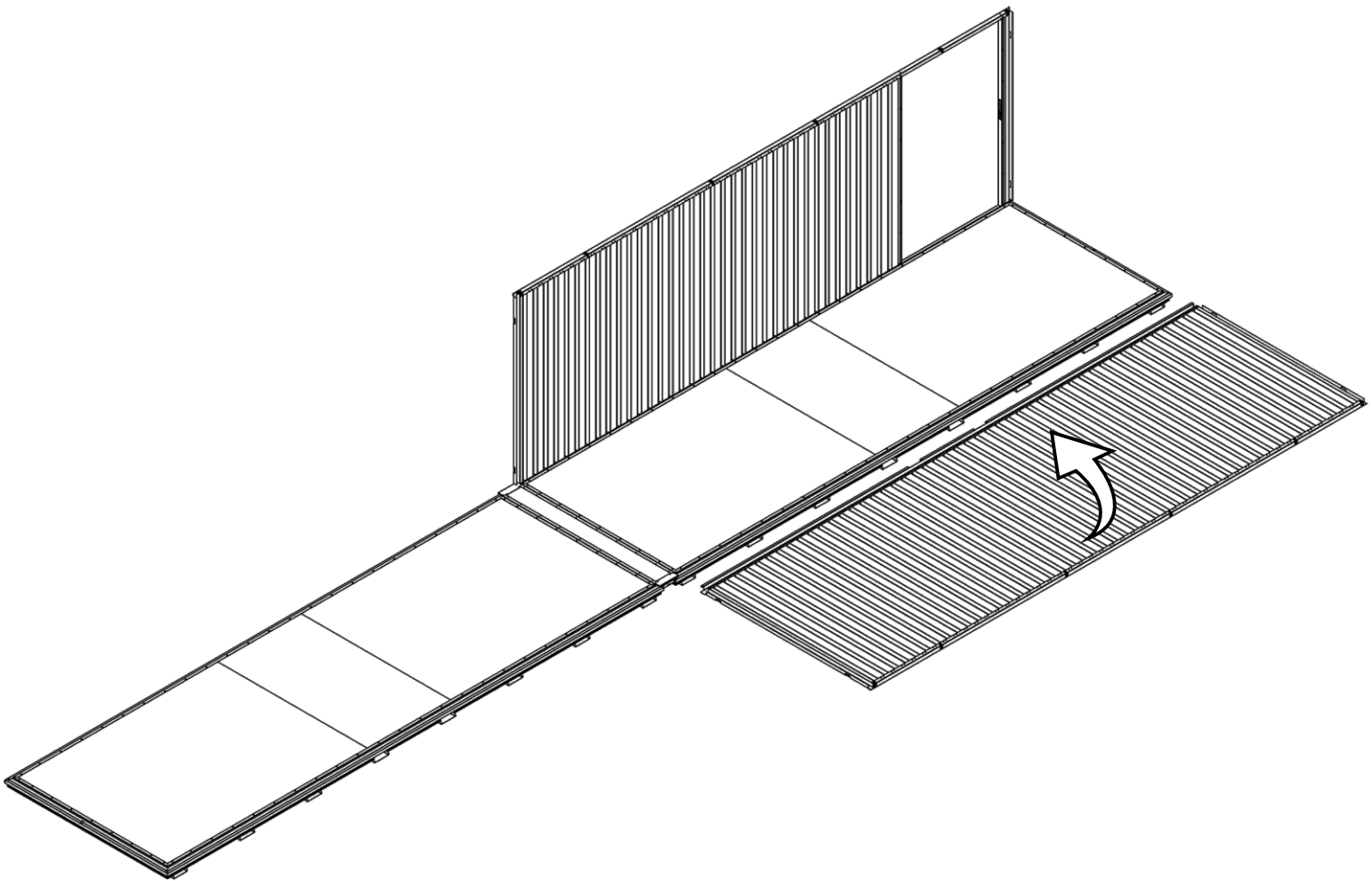


1.2.

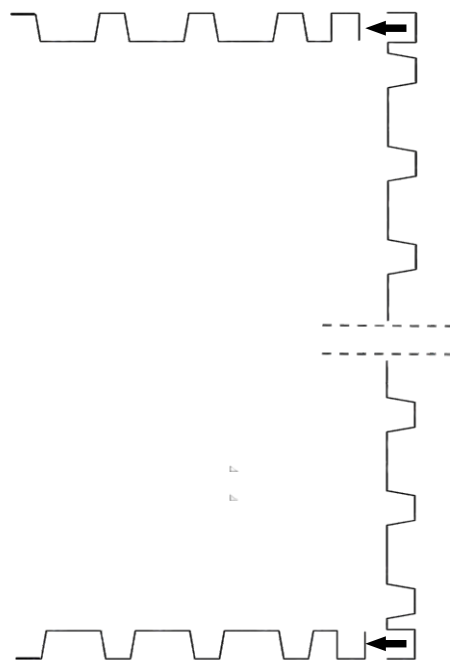
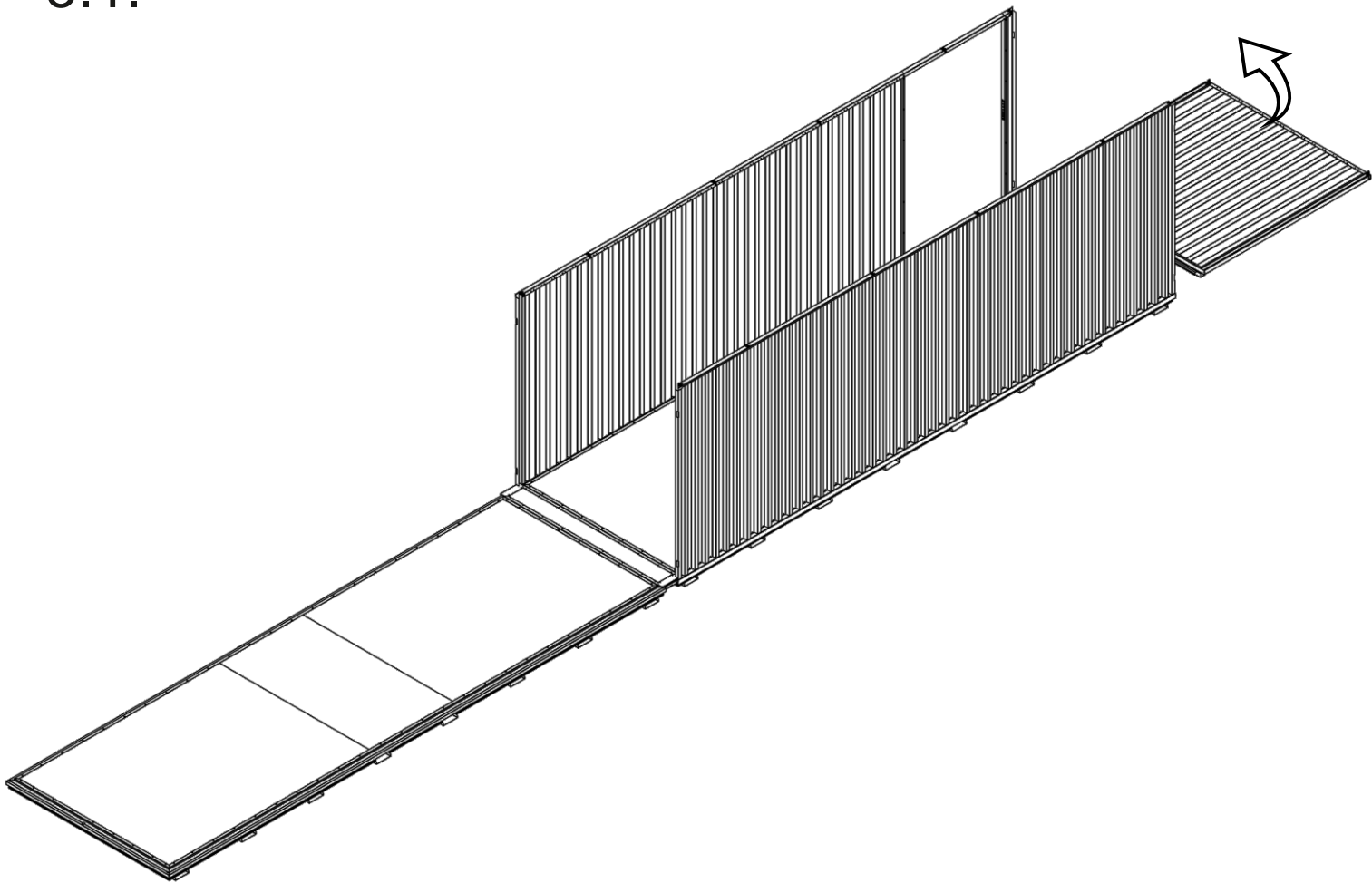




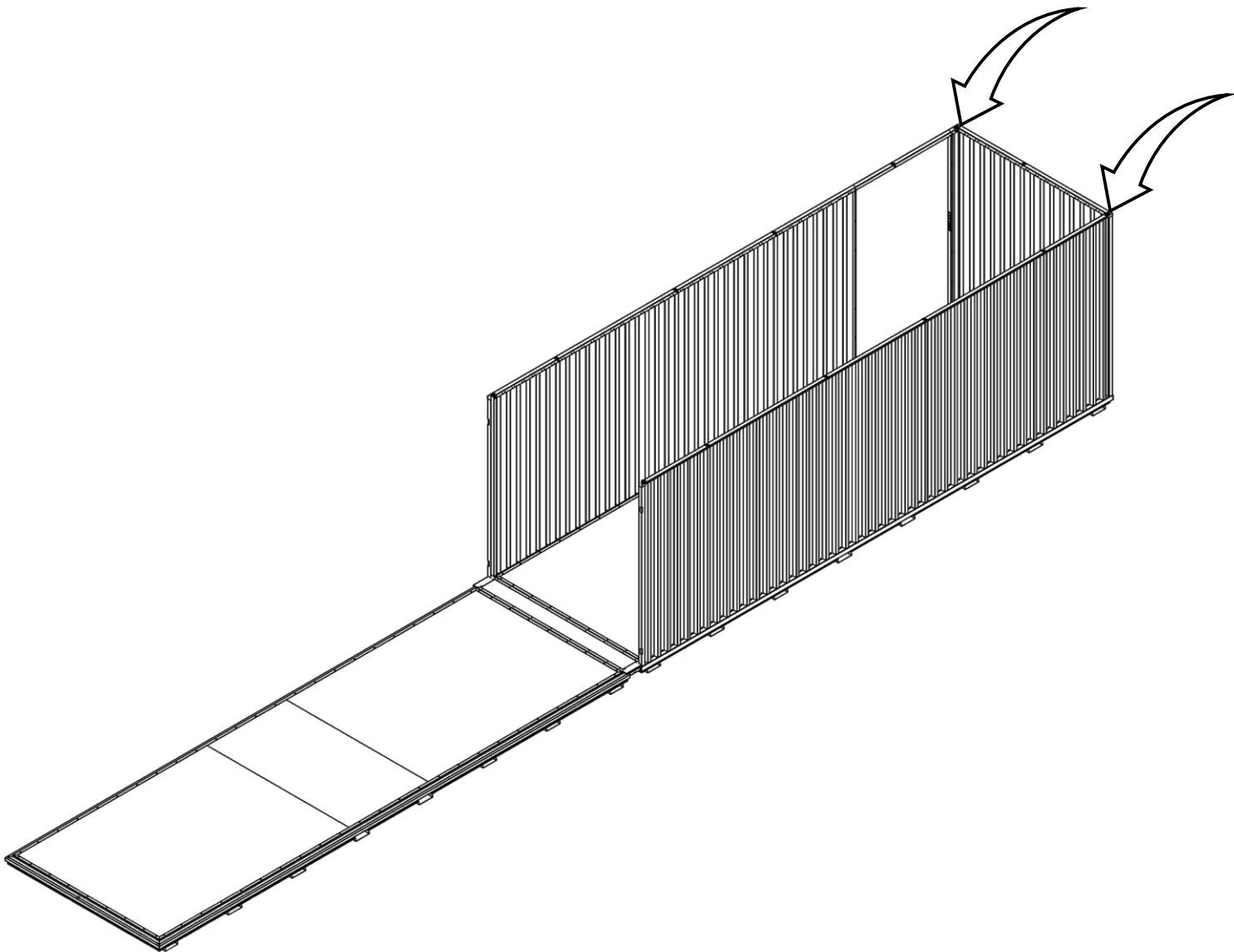
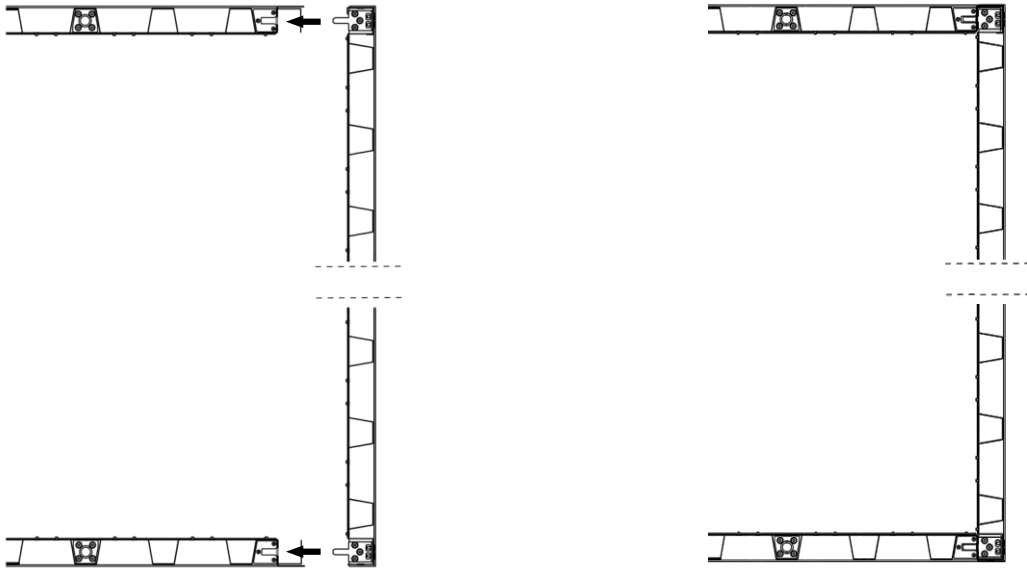
2.1.



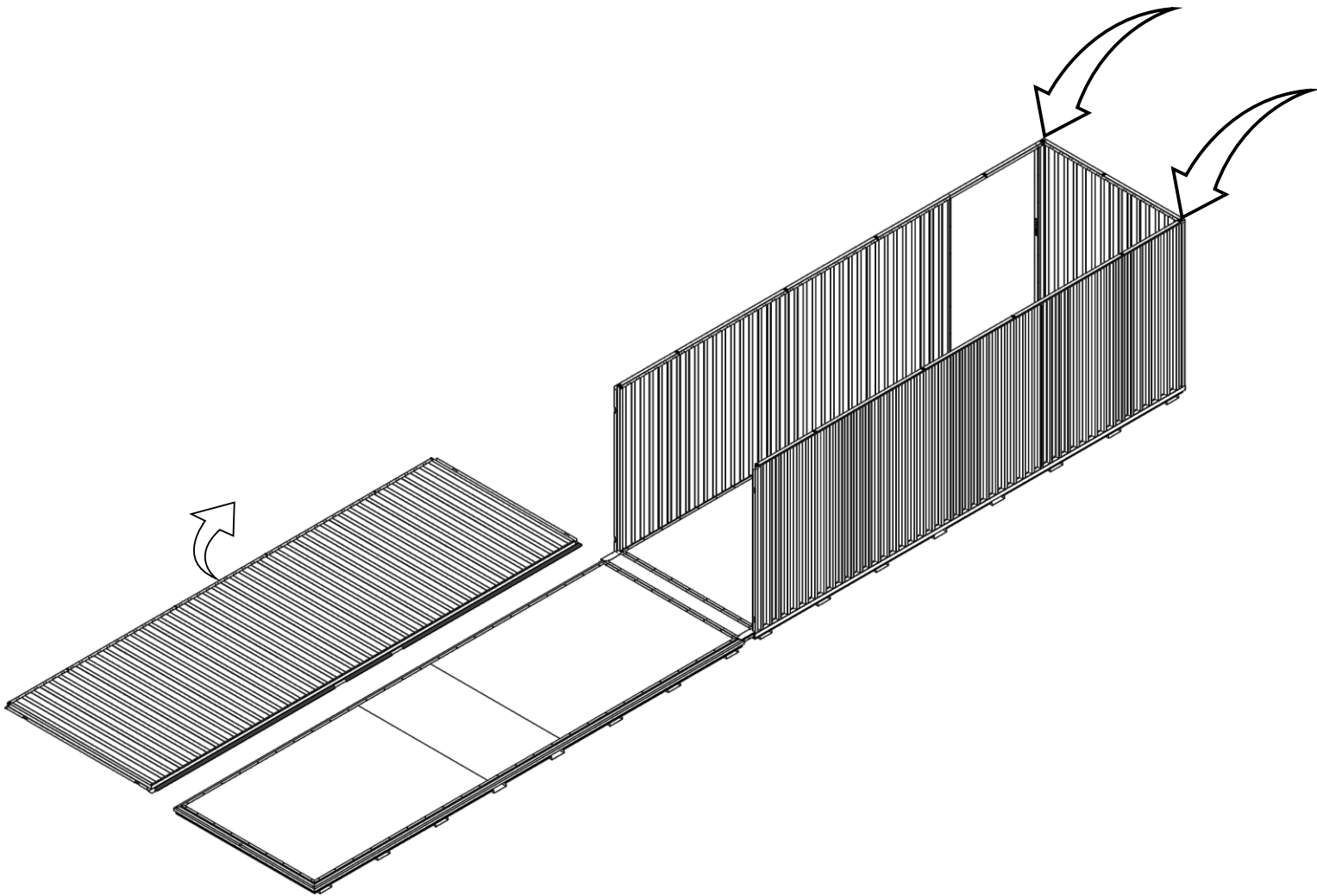
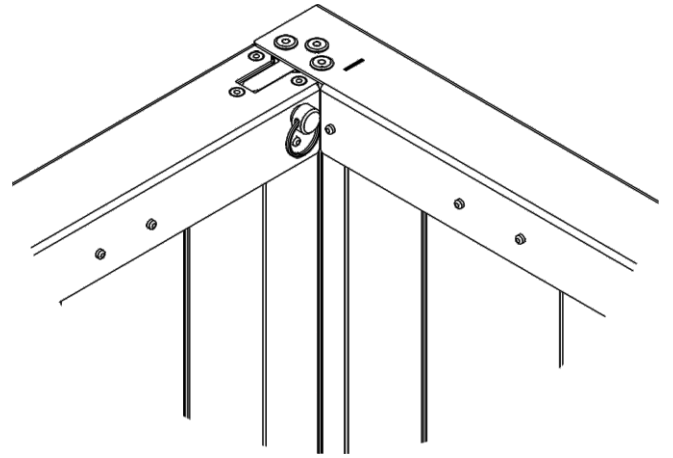
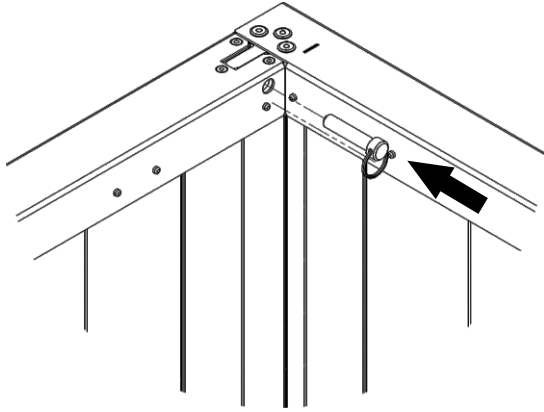
3.1.



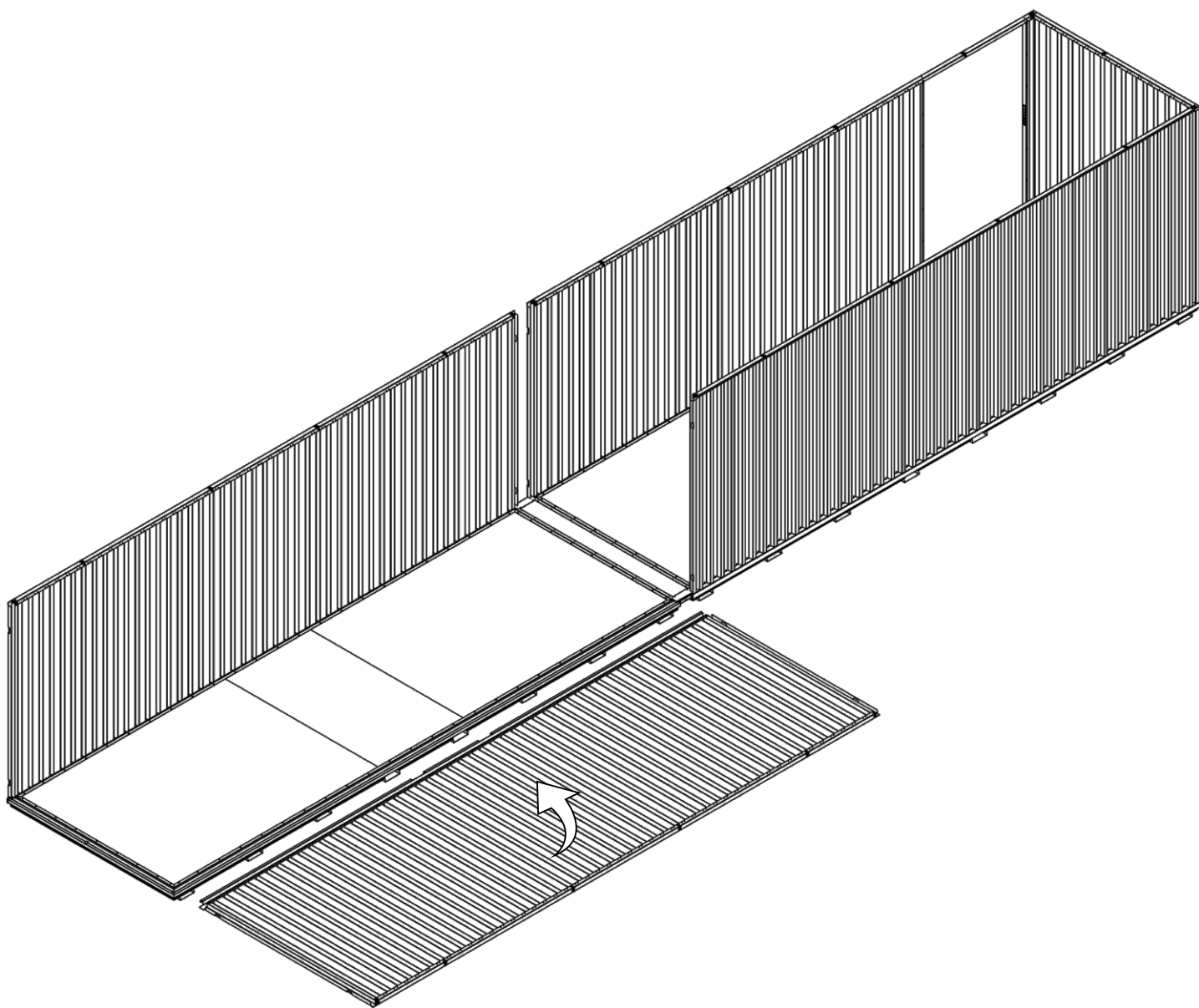
3.2.



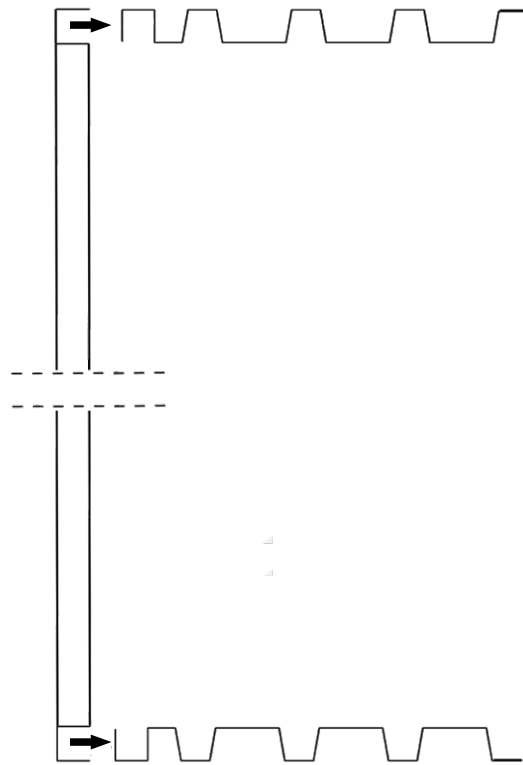
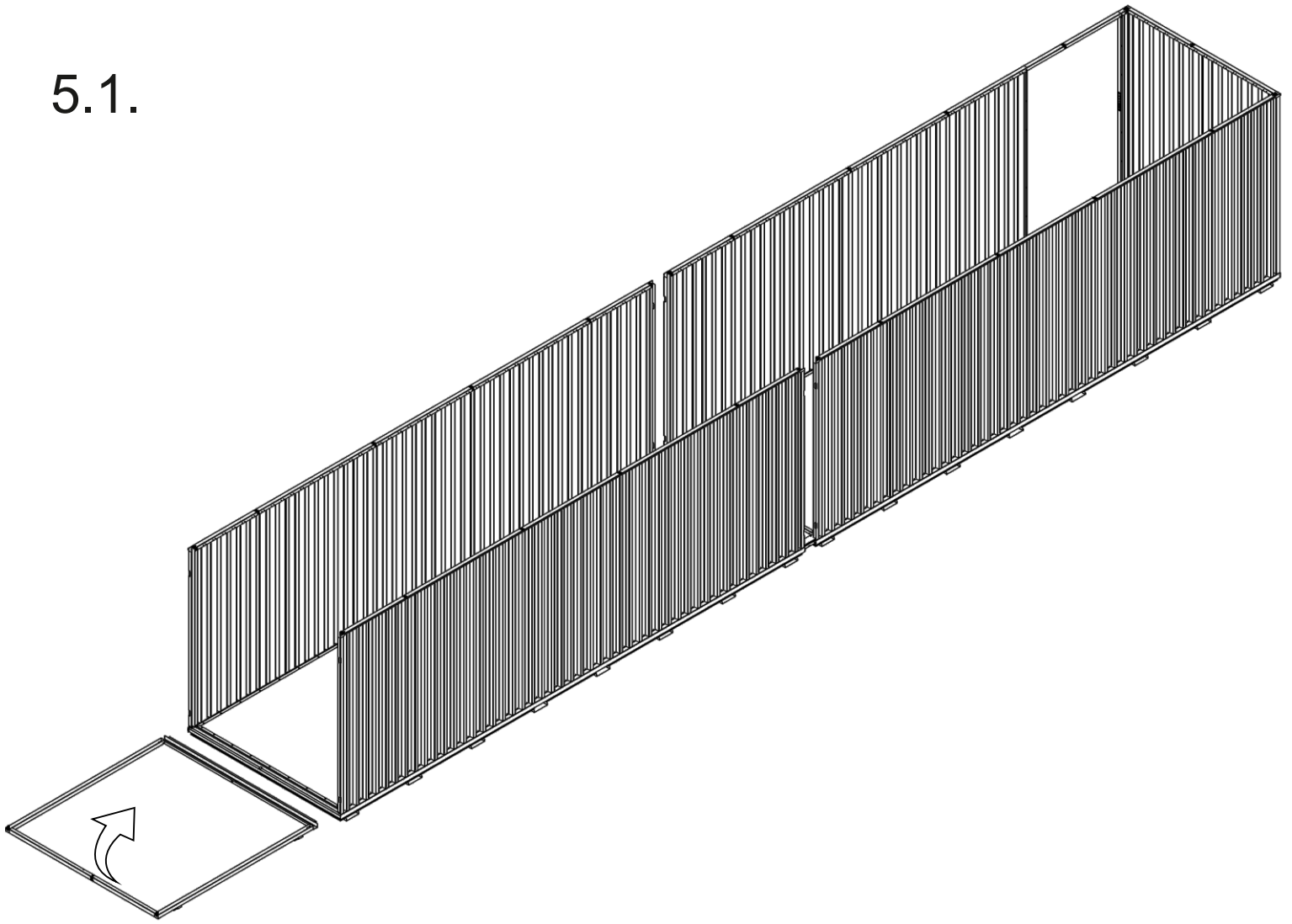
3.3.



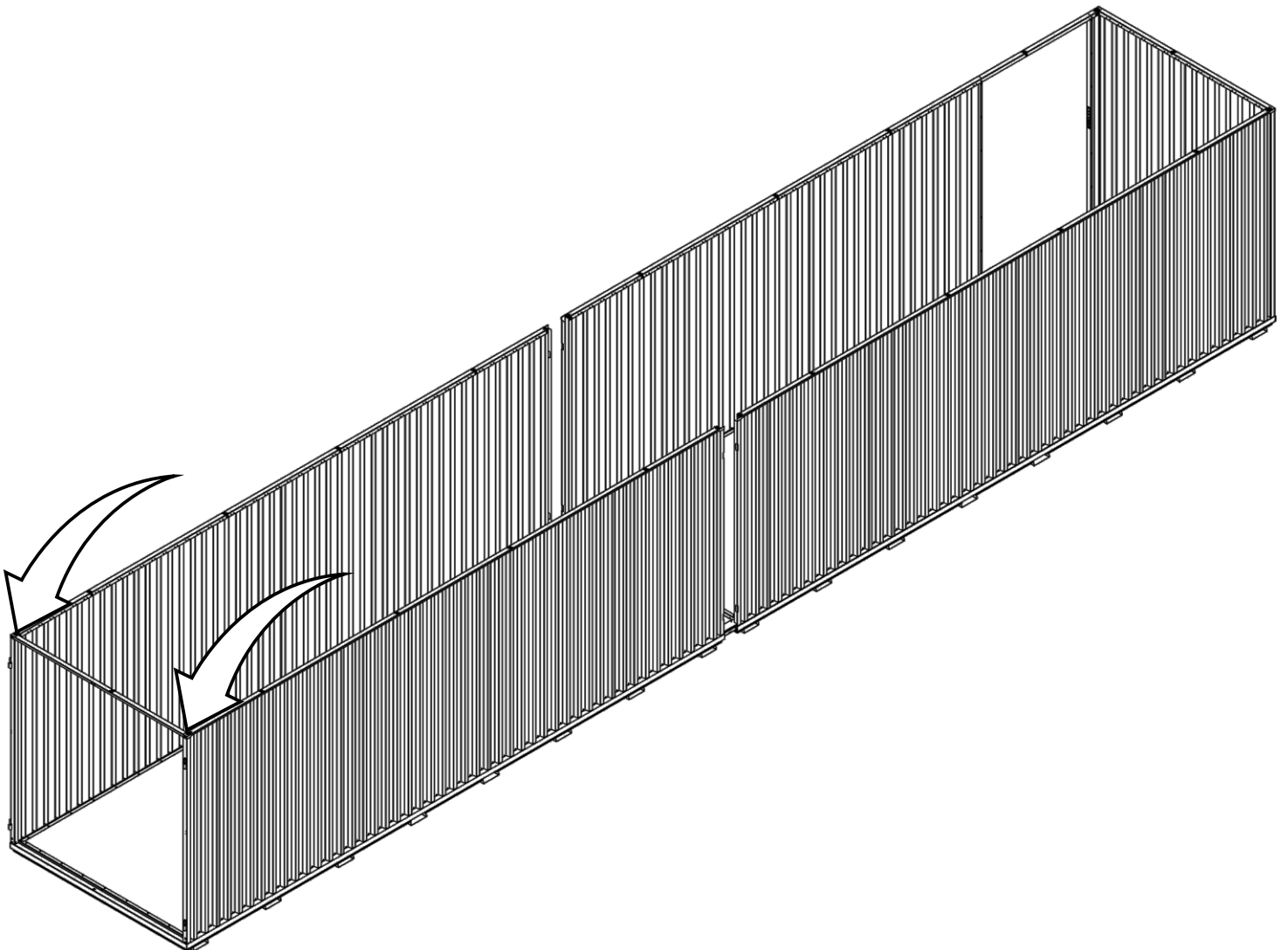
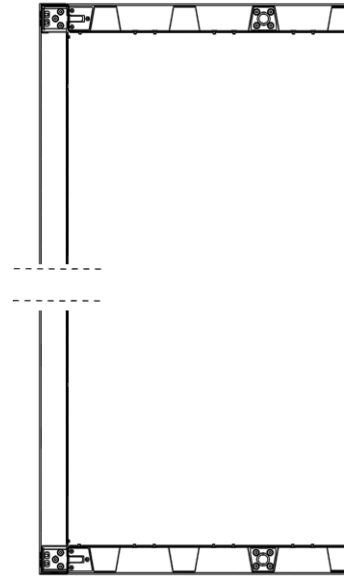
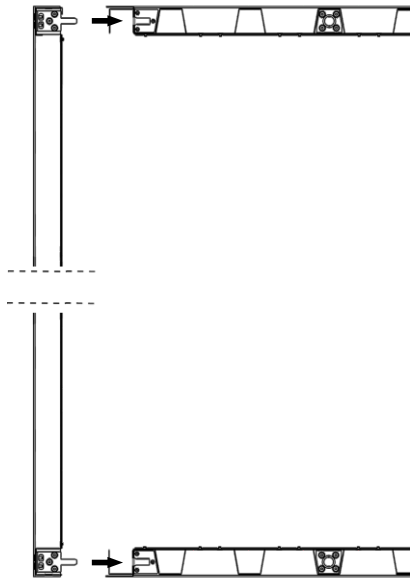
4.1.



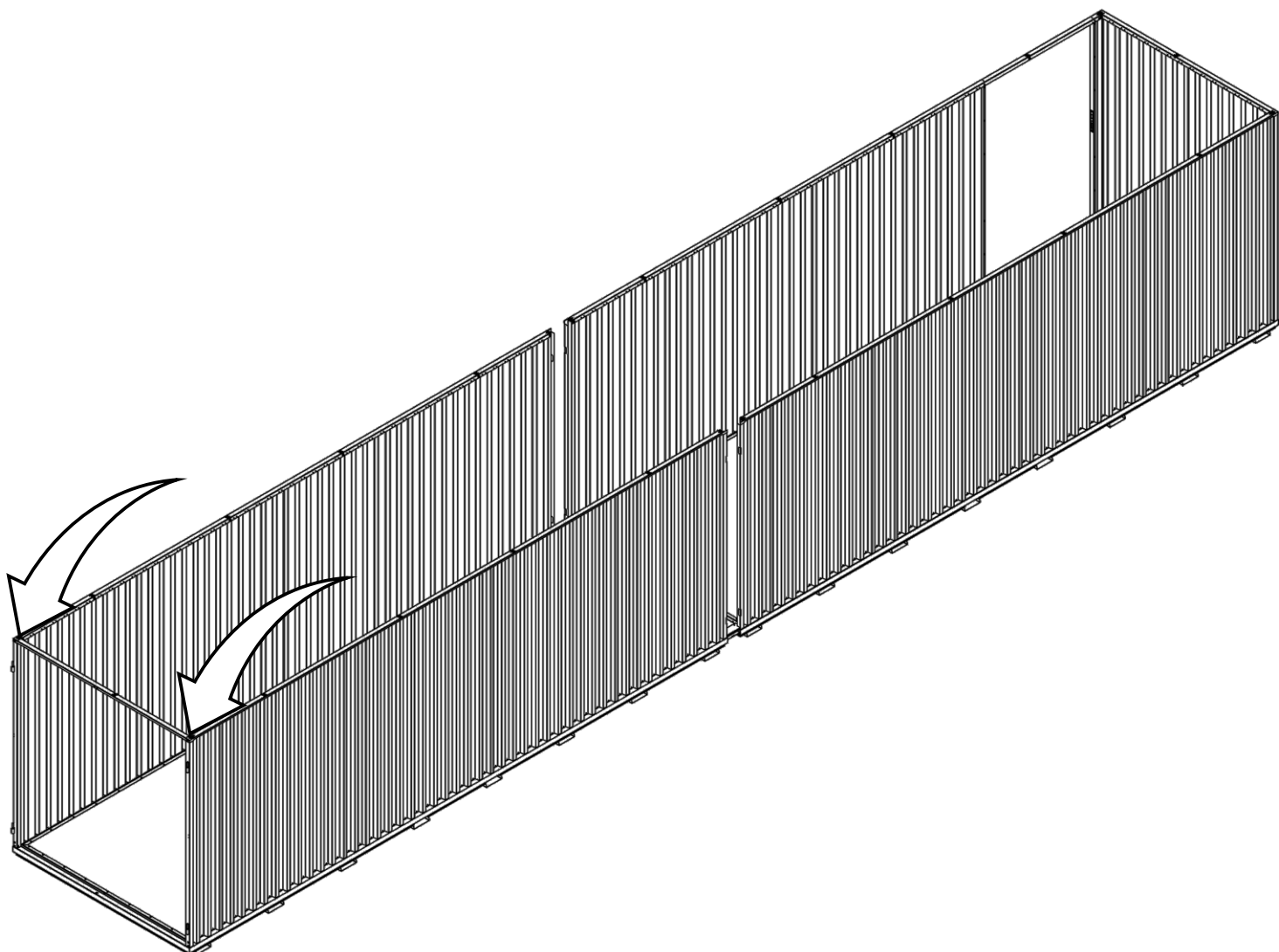
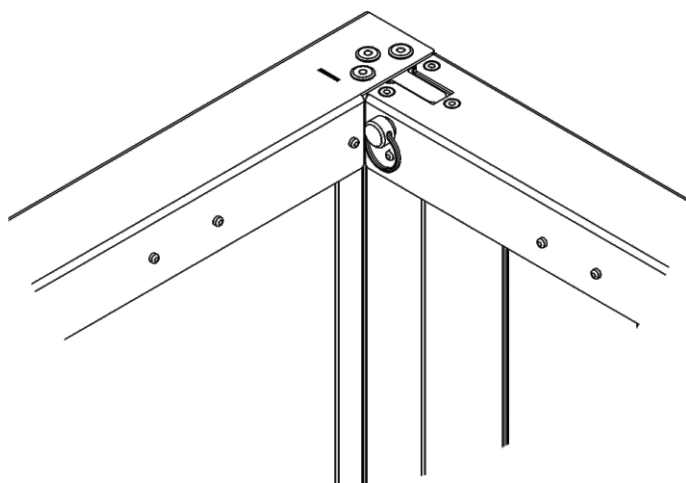
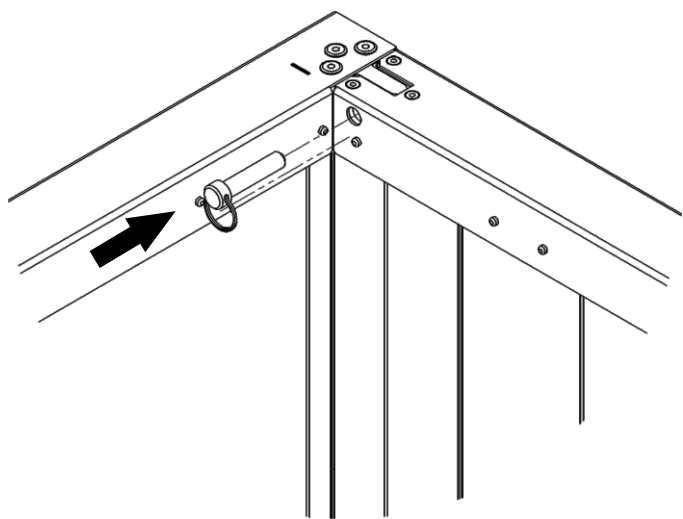
5.1.



5.2.

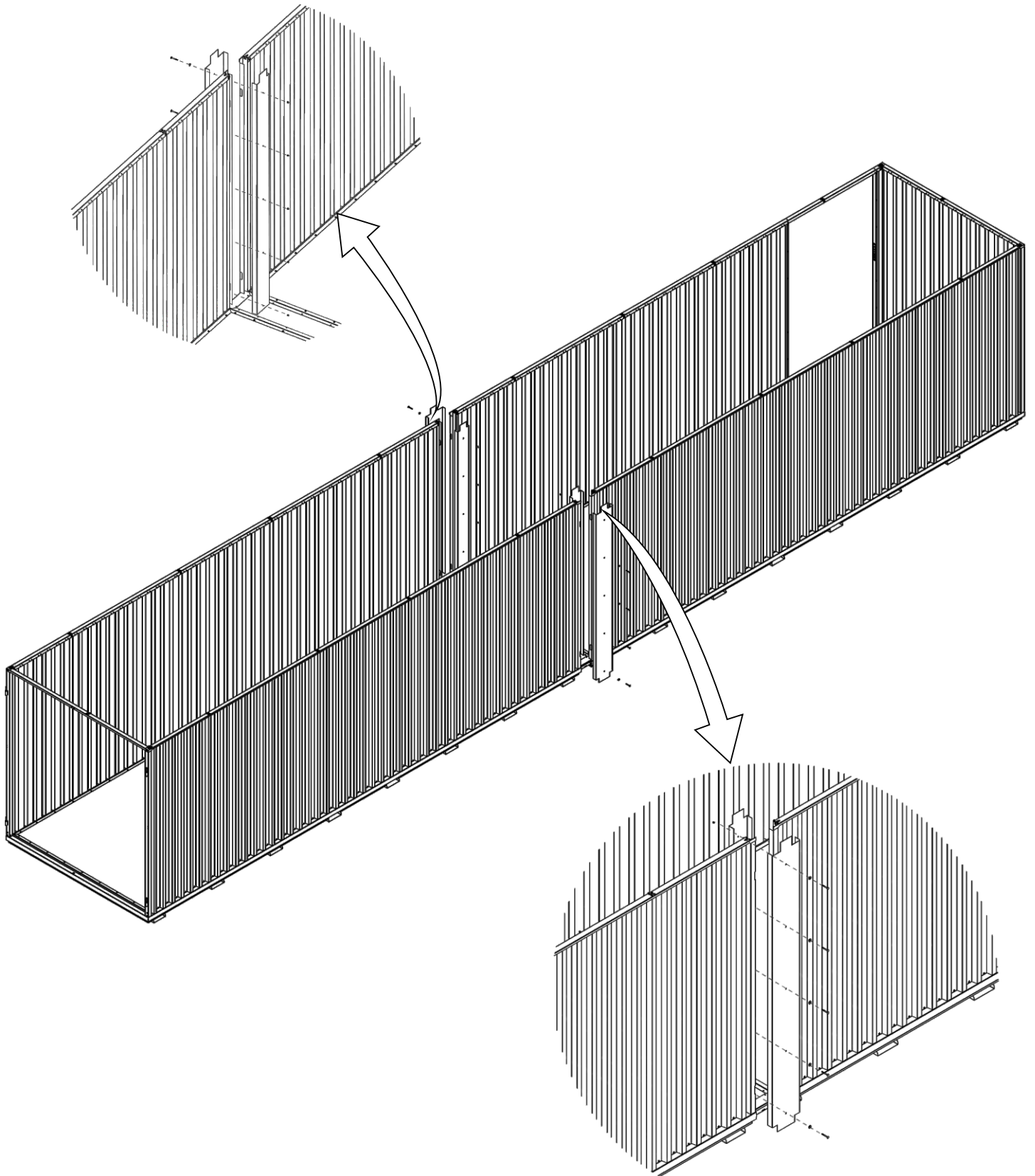


5.3.

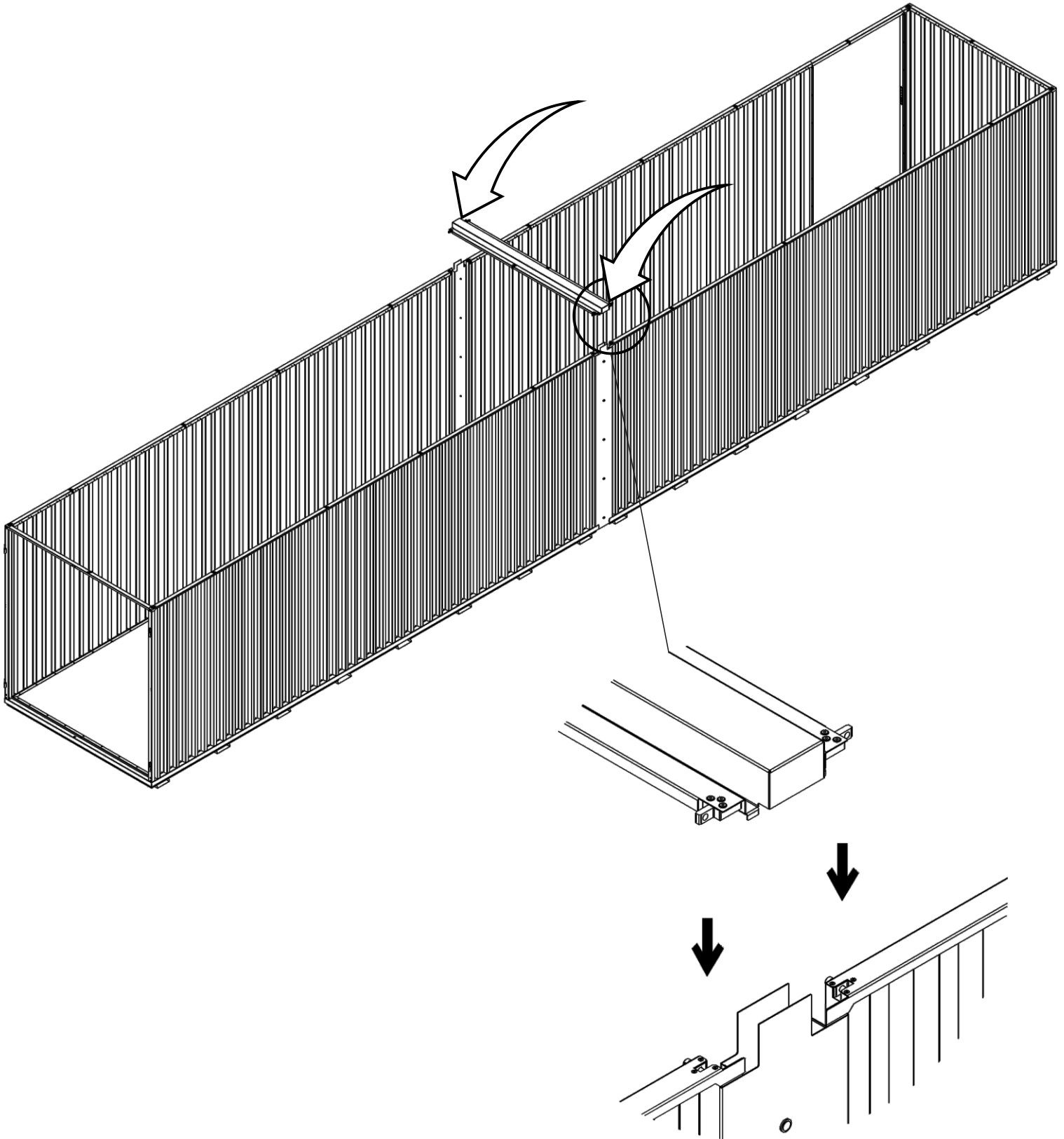




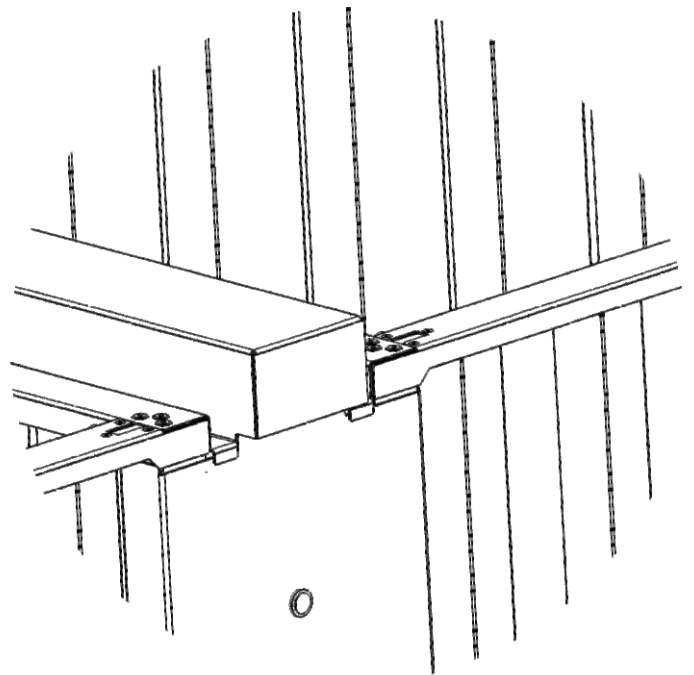
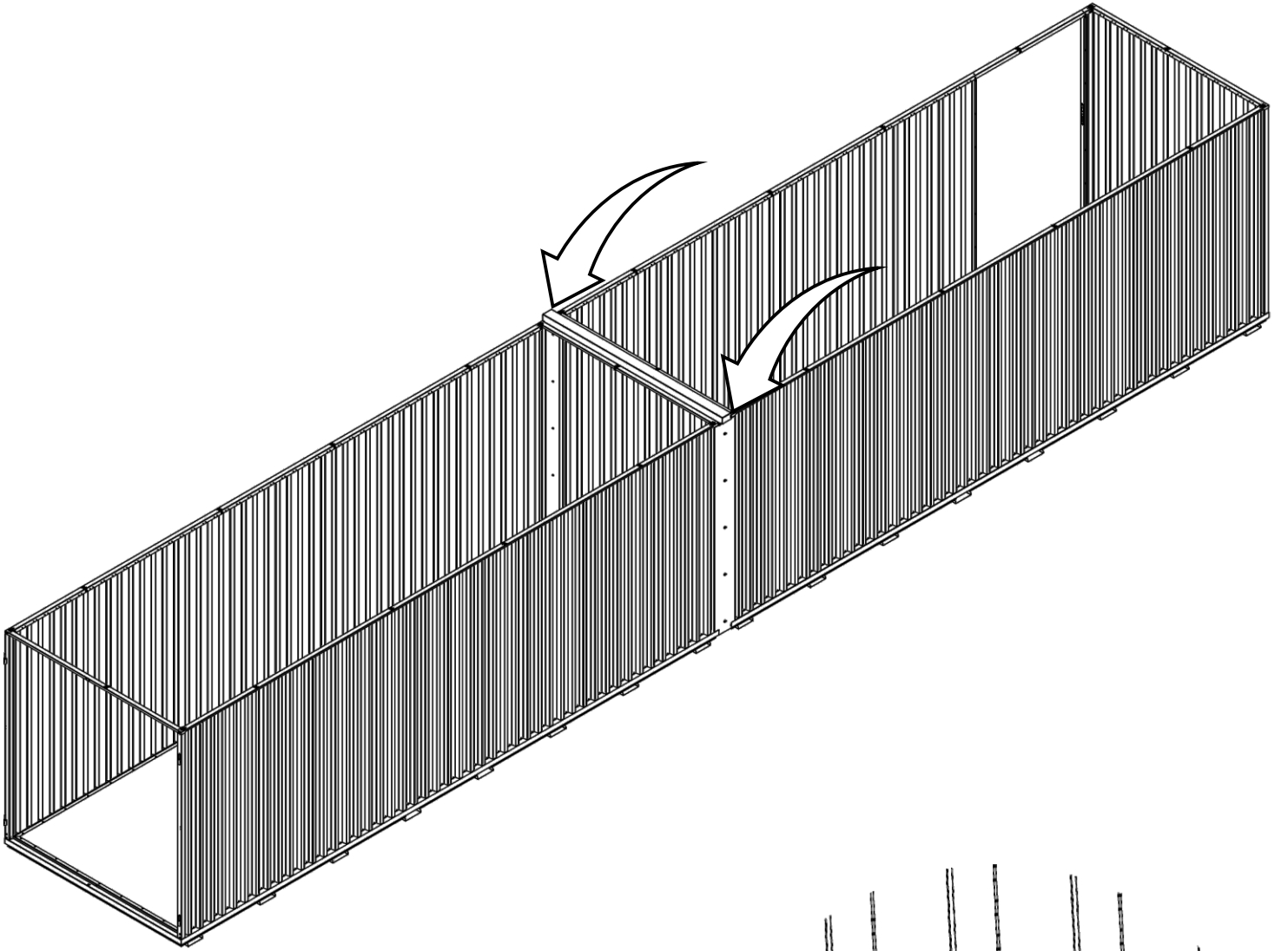
6.1.



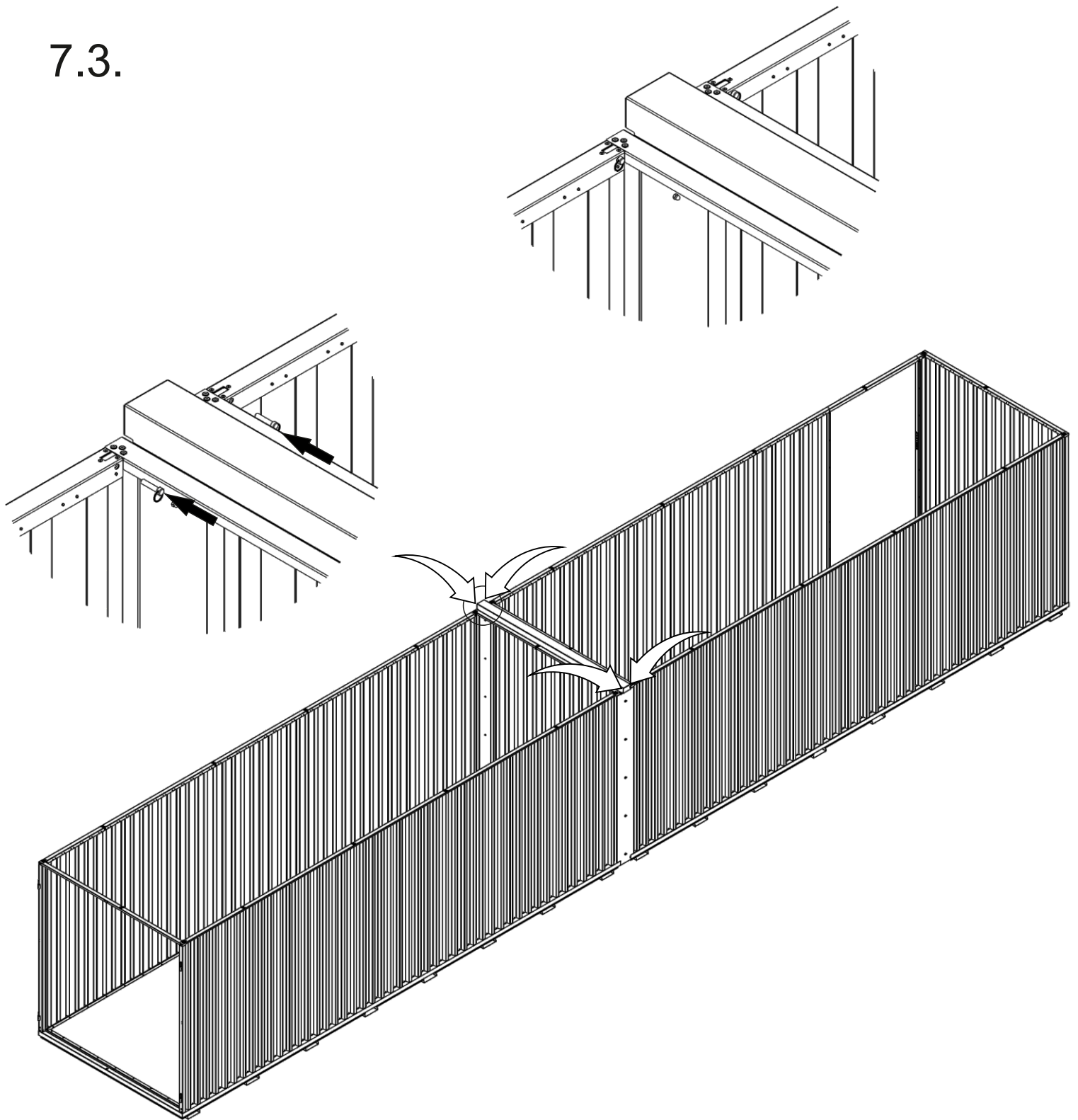
7.1.



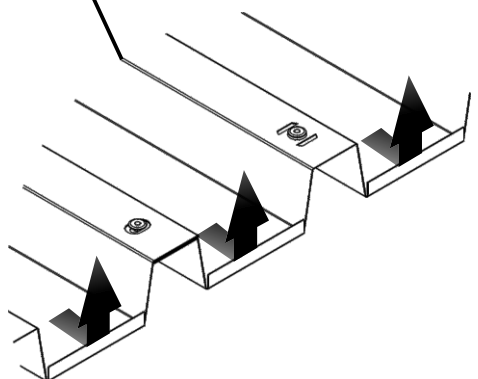
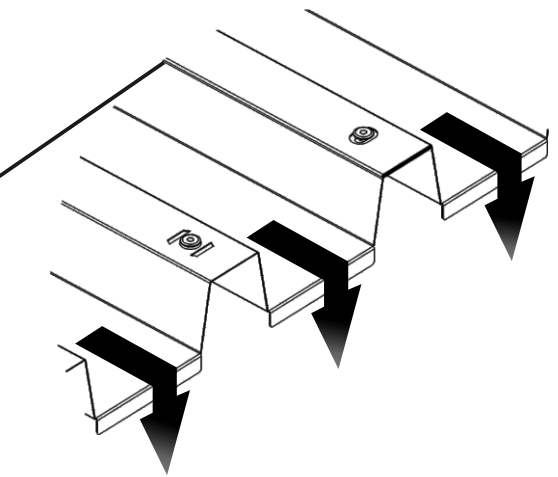
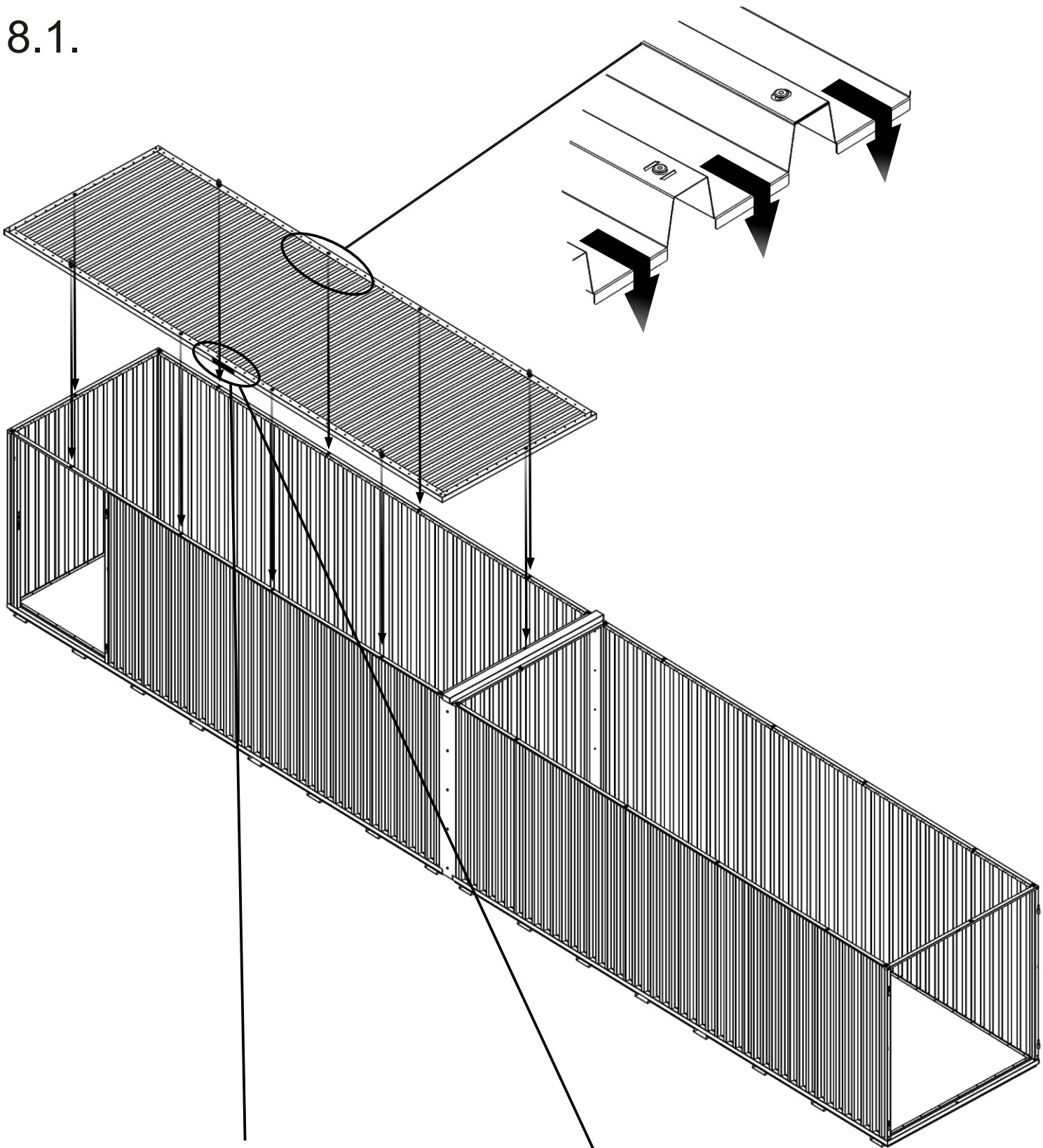
7.2.



7.3.

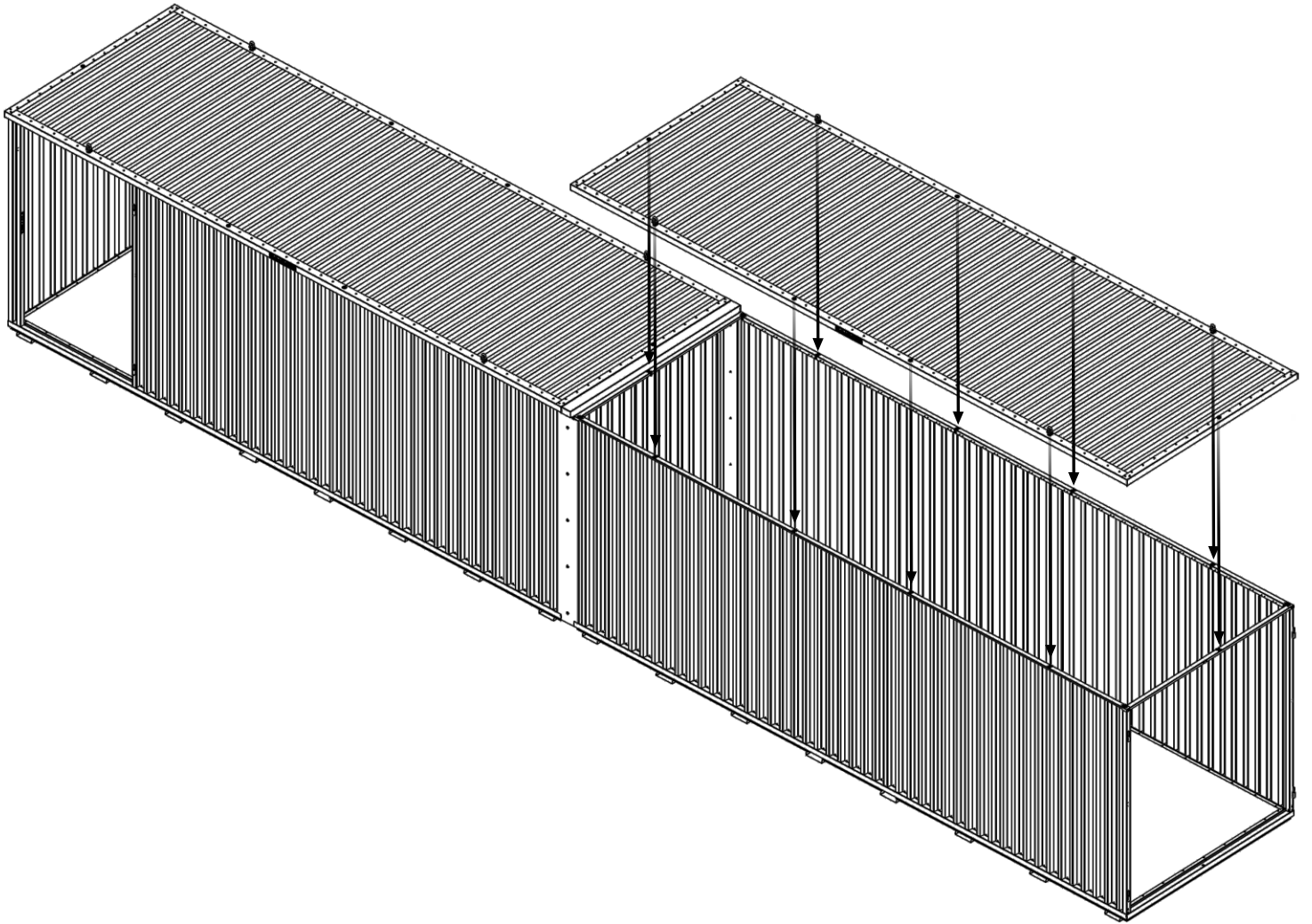


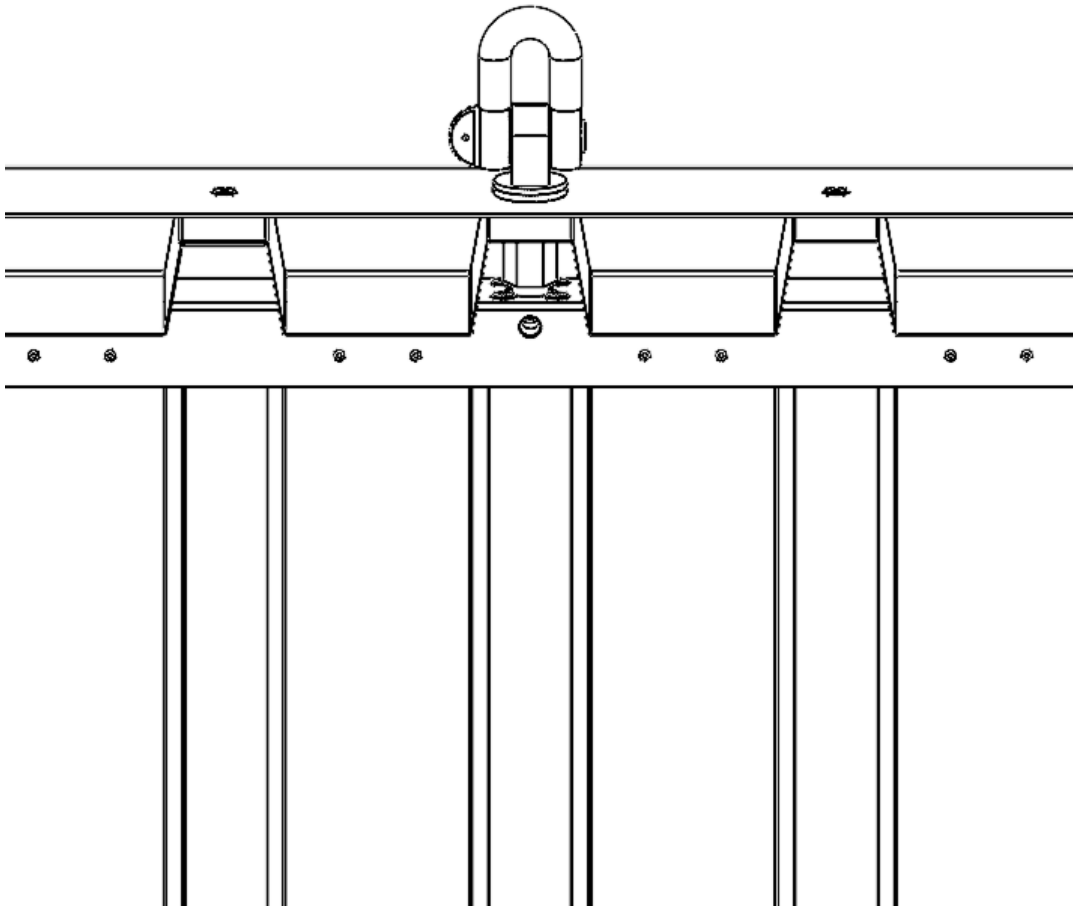
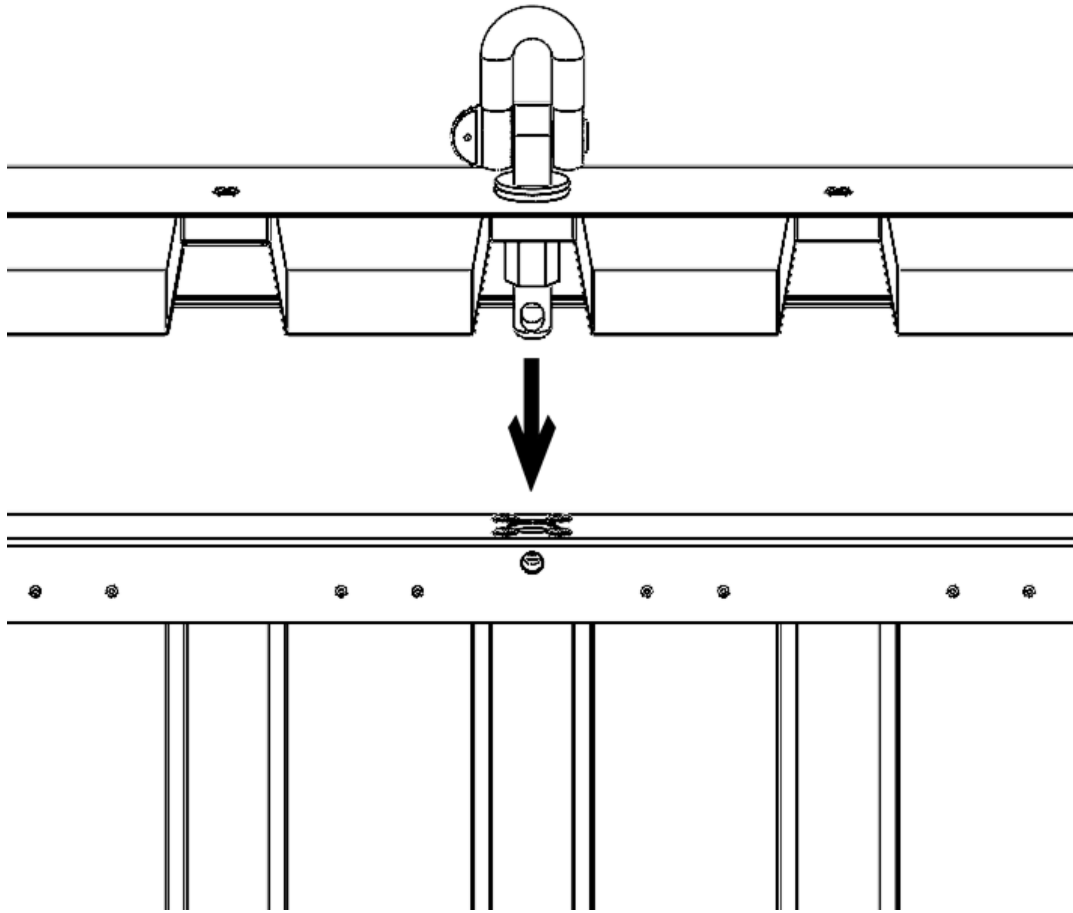
# 8.1.



 Mass ...Kg.	 Total ... Kg.	 1640 MM	Model Code Production Tracking Code   	 
--	--	--	---	---

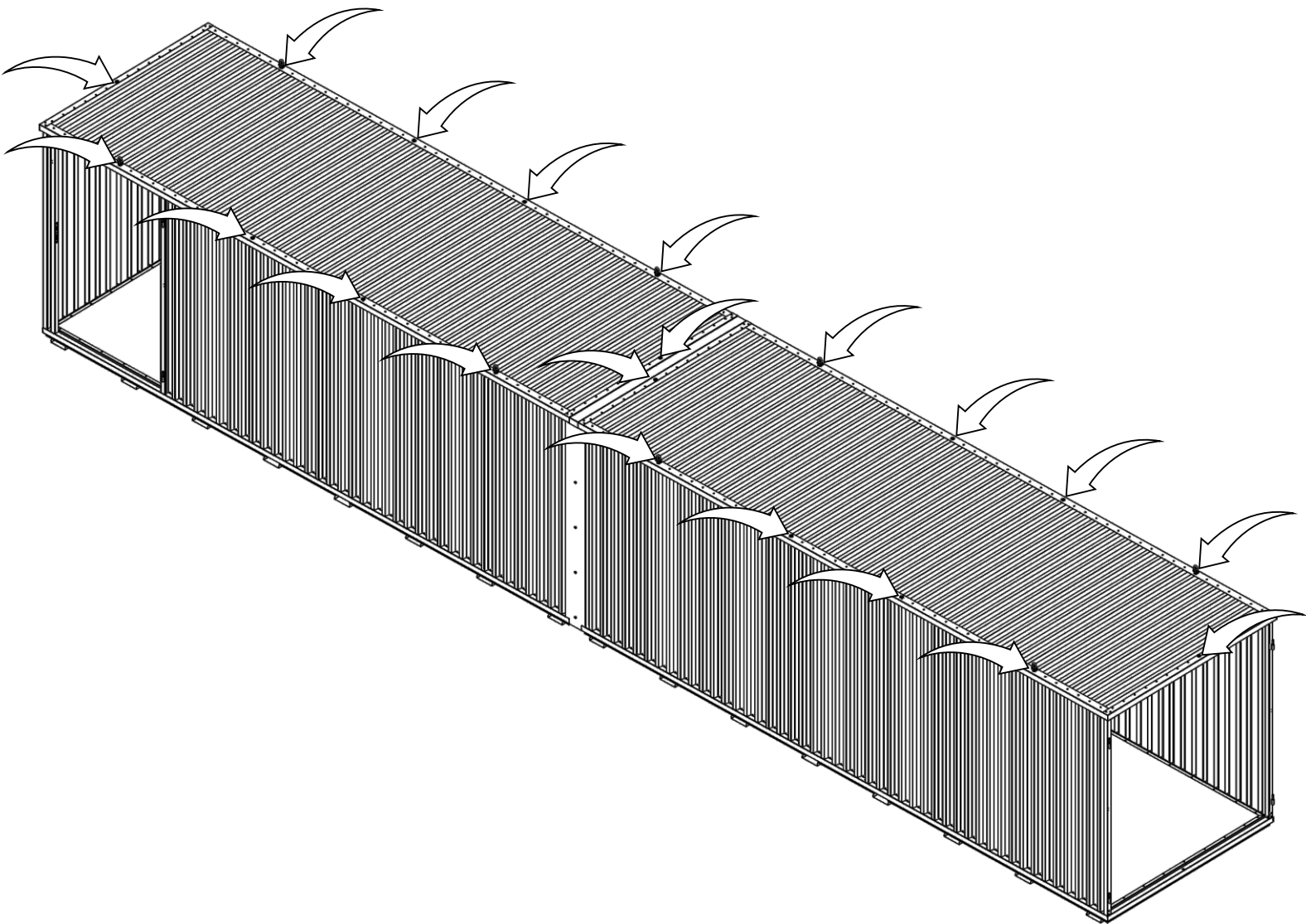
8.2.



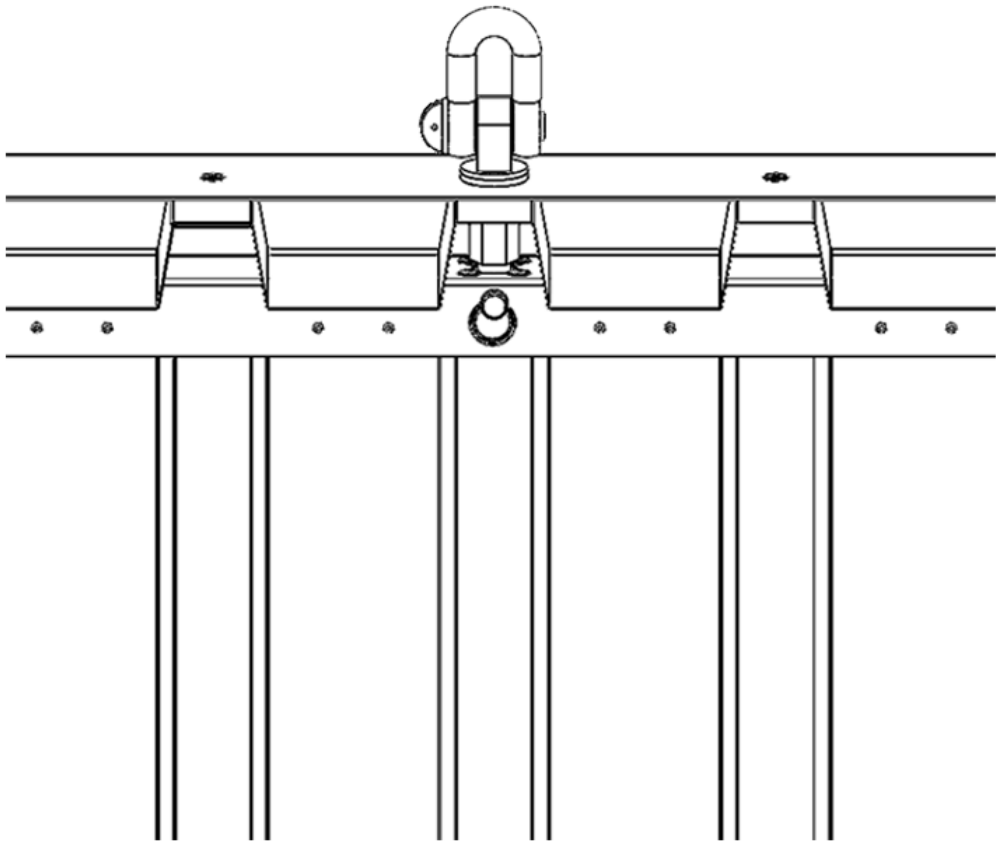
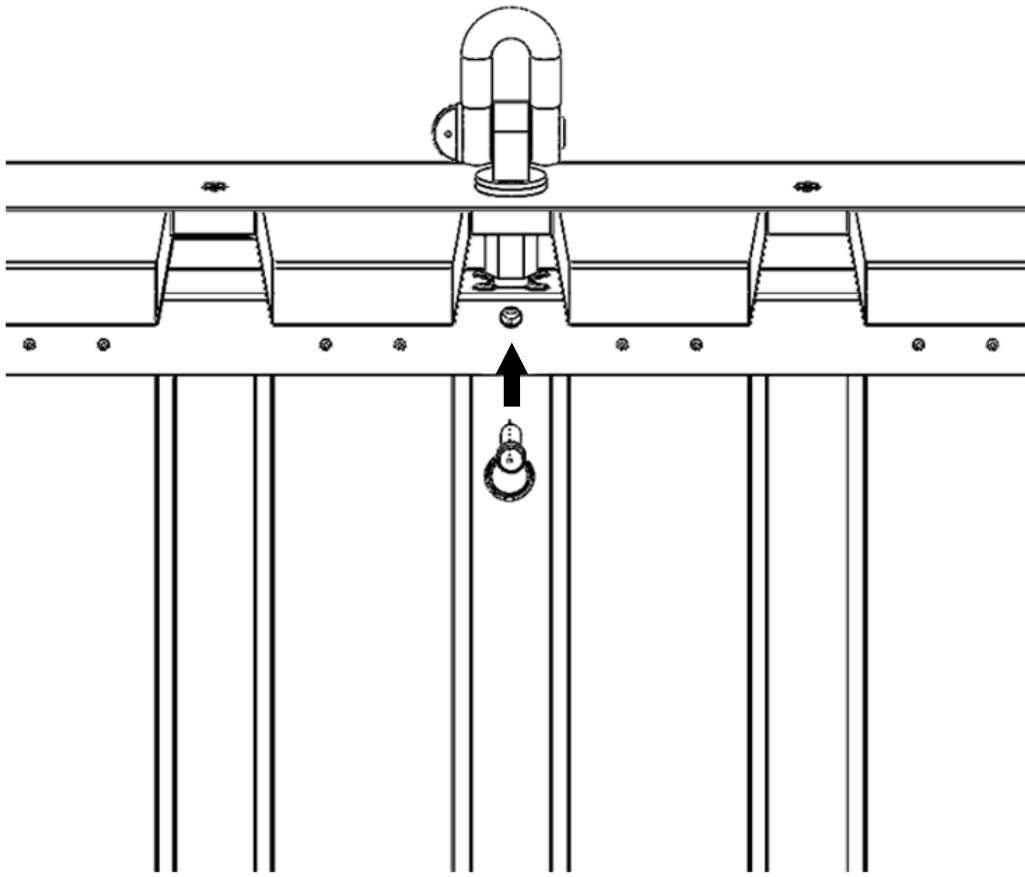




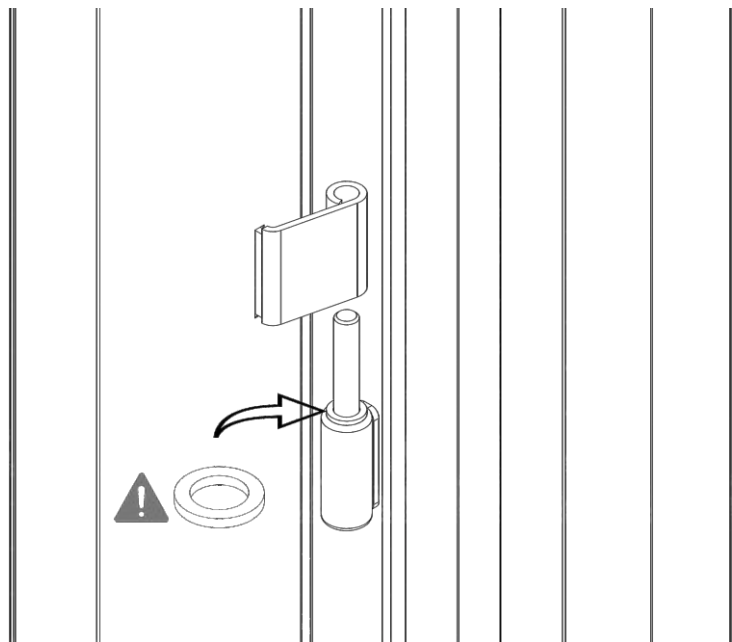
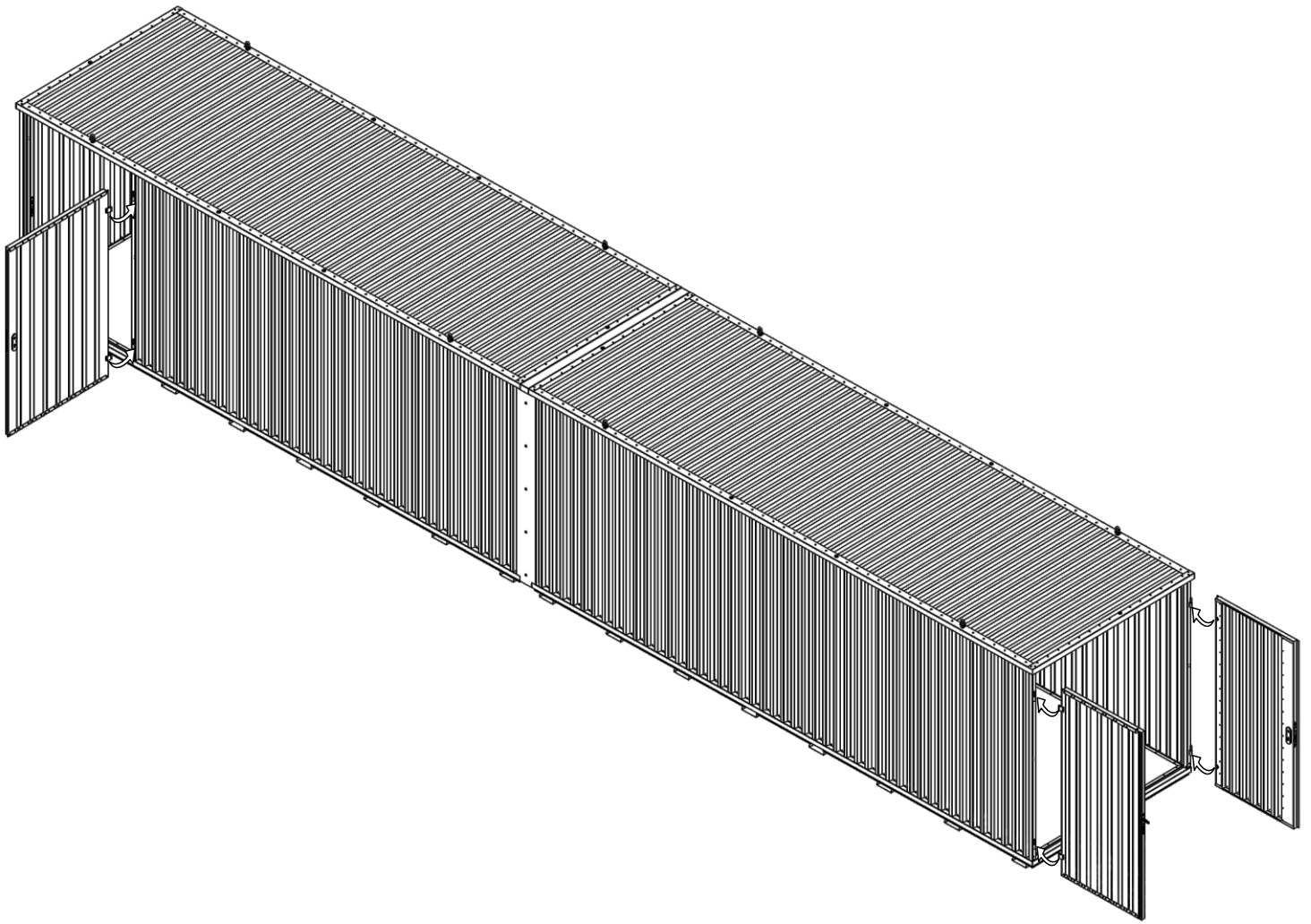
8.3.



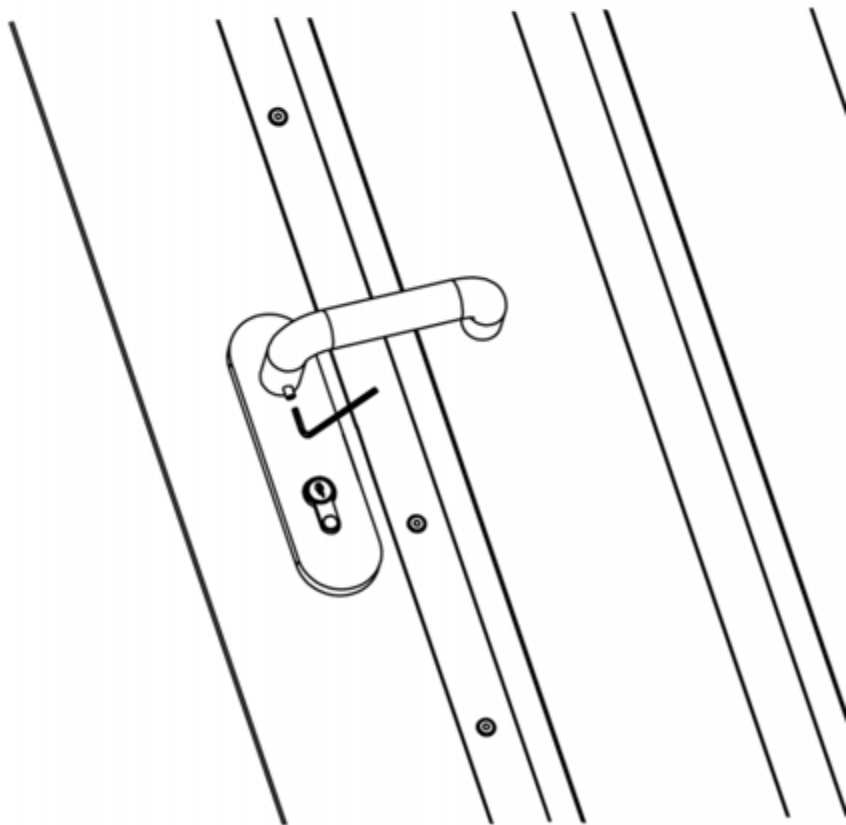
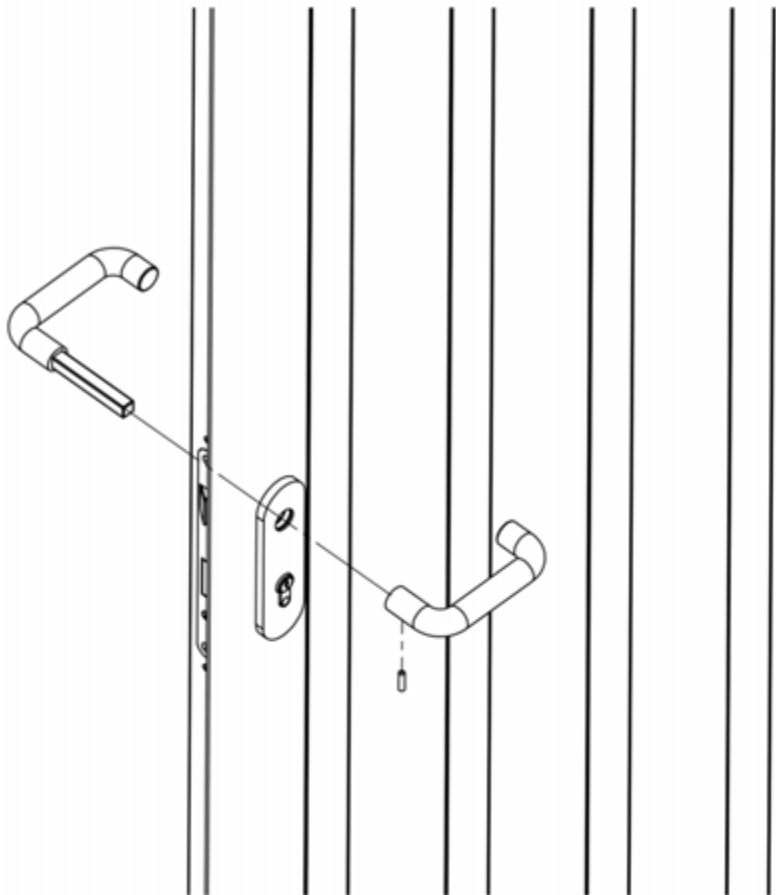




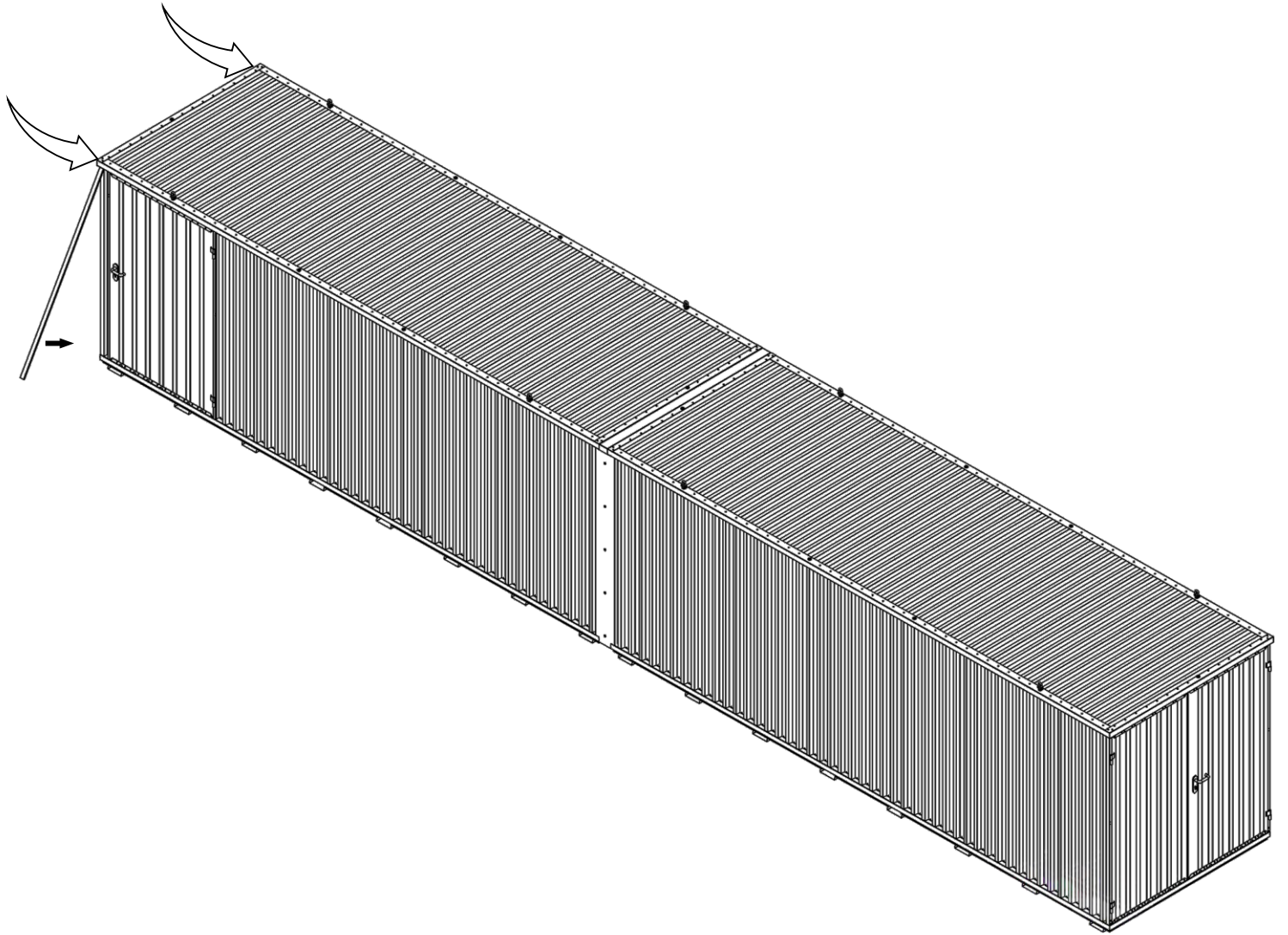
9.1.



9.2.



10.1.



11.1.

