



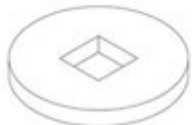

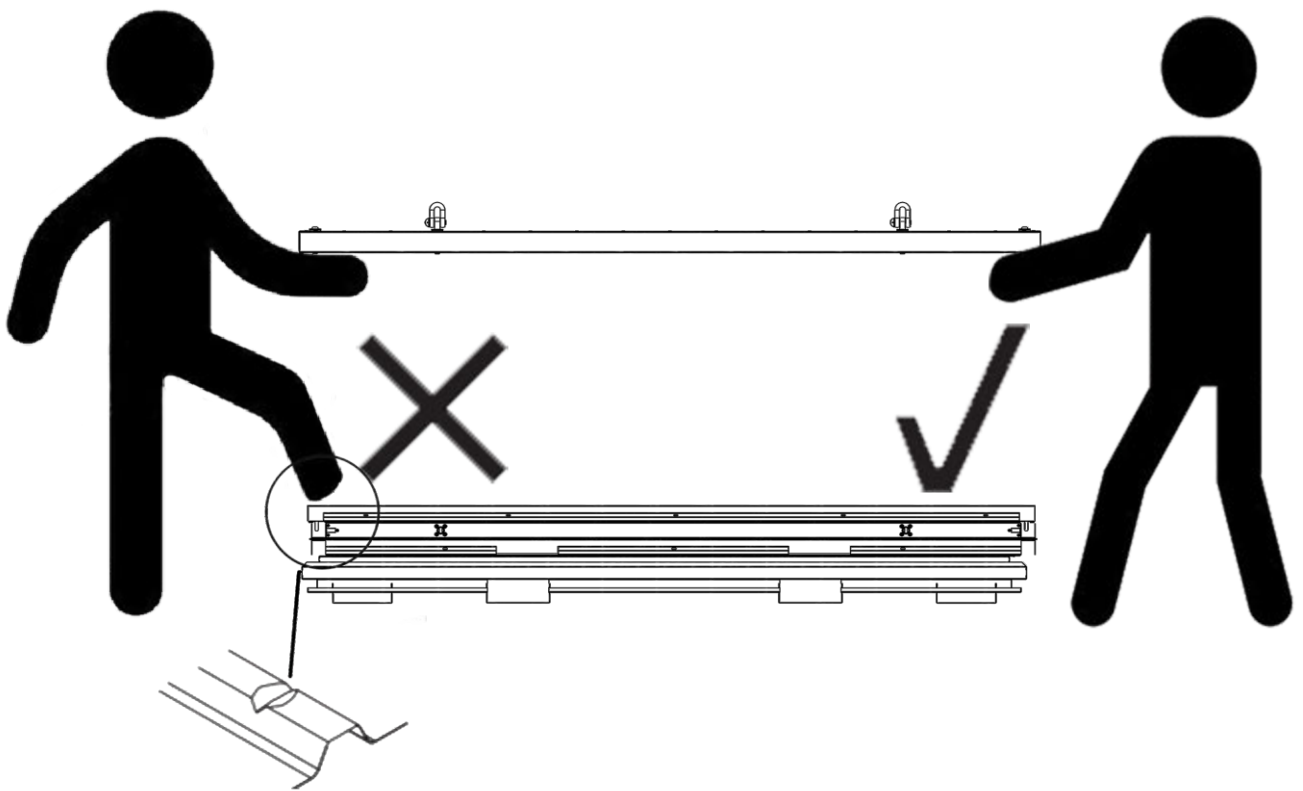
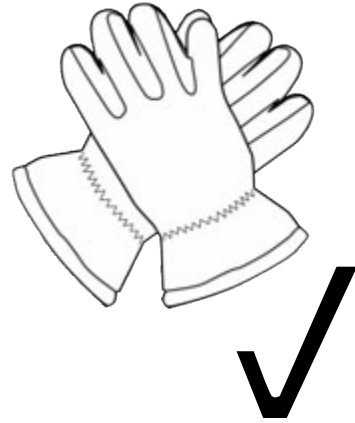


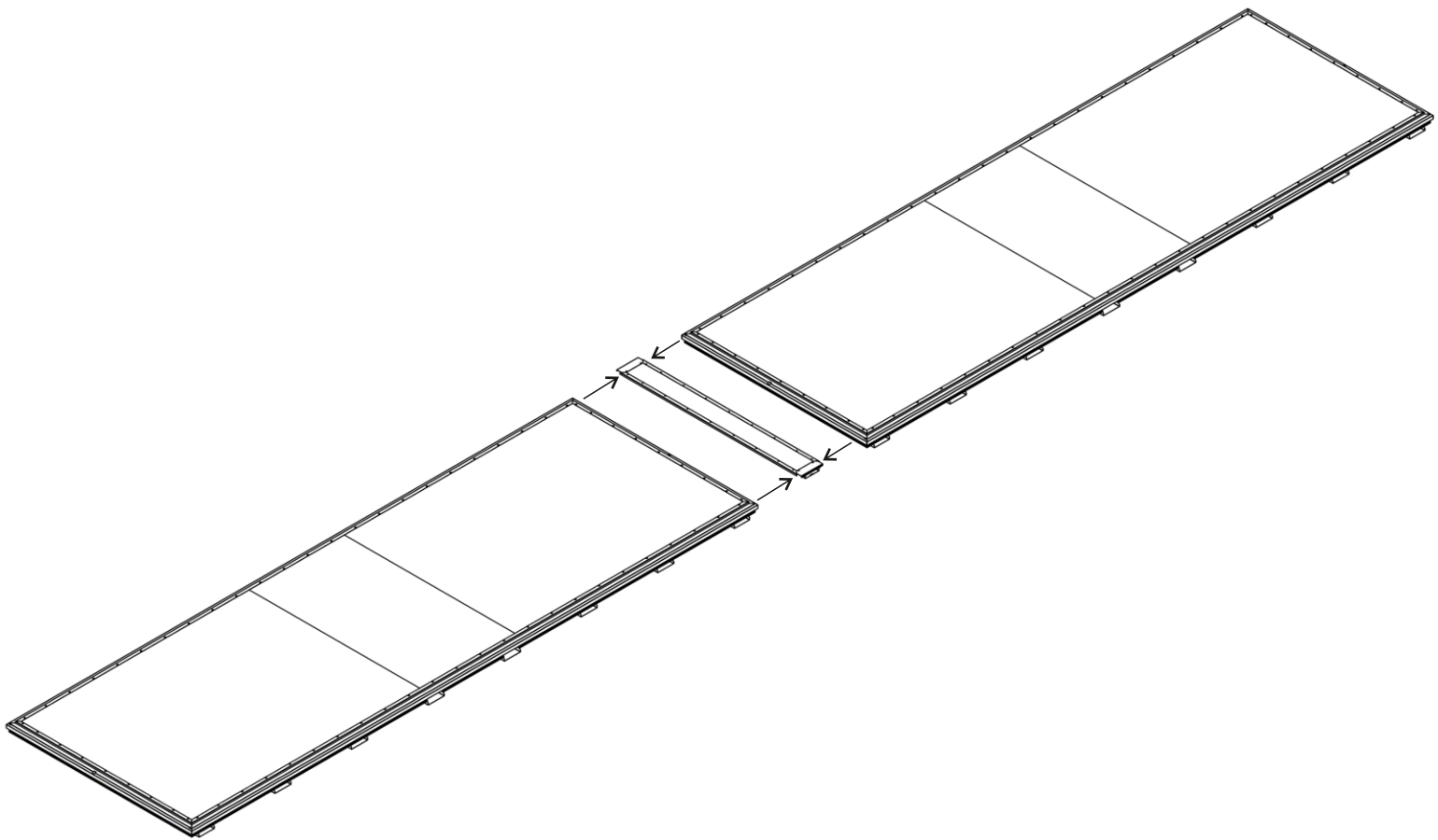
PRODUCT CODE : 6060.110.450.320



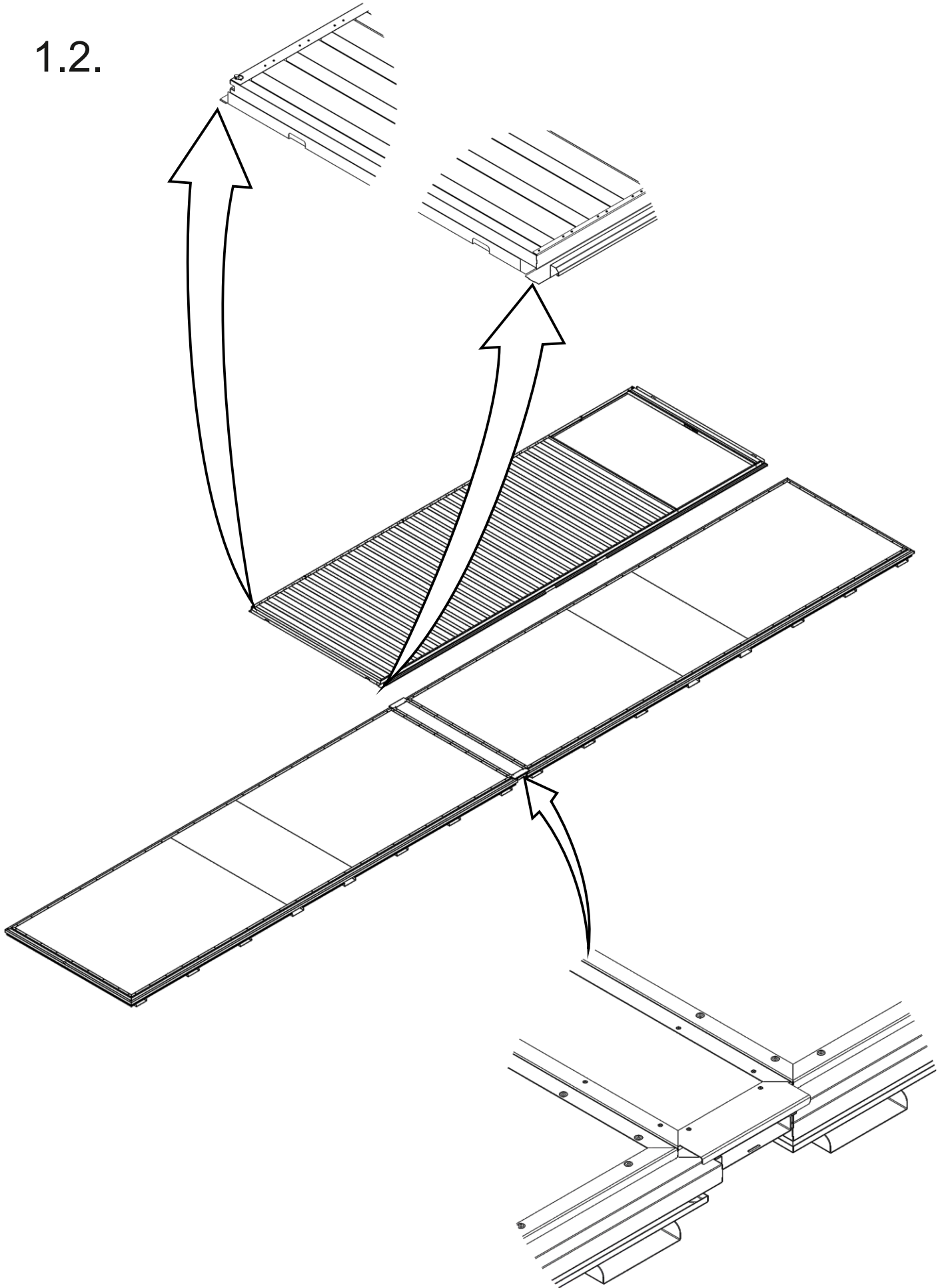
	28 pcs.
	2 pcs.
	2 pcs.
	10 pcs.
	10 pcs.
	10 pcs.



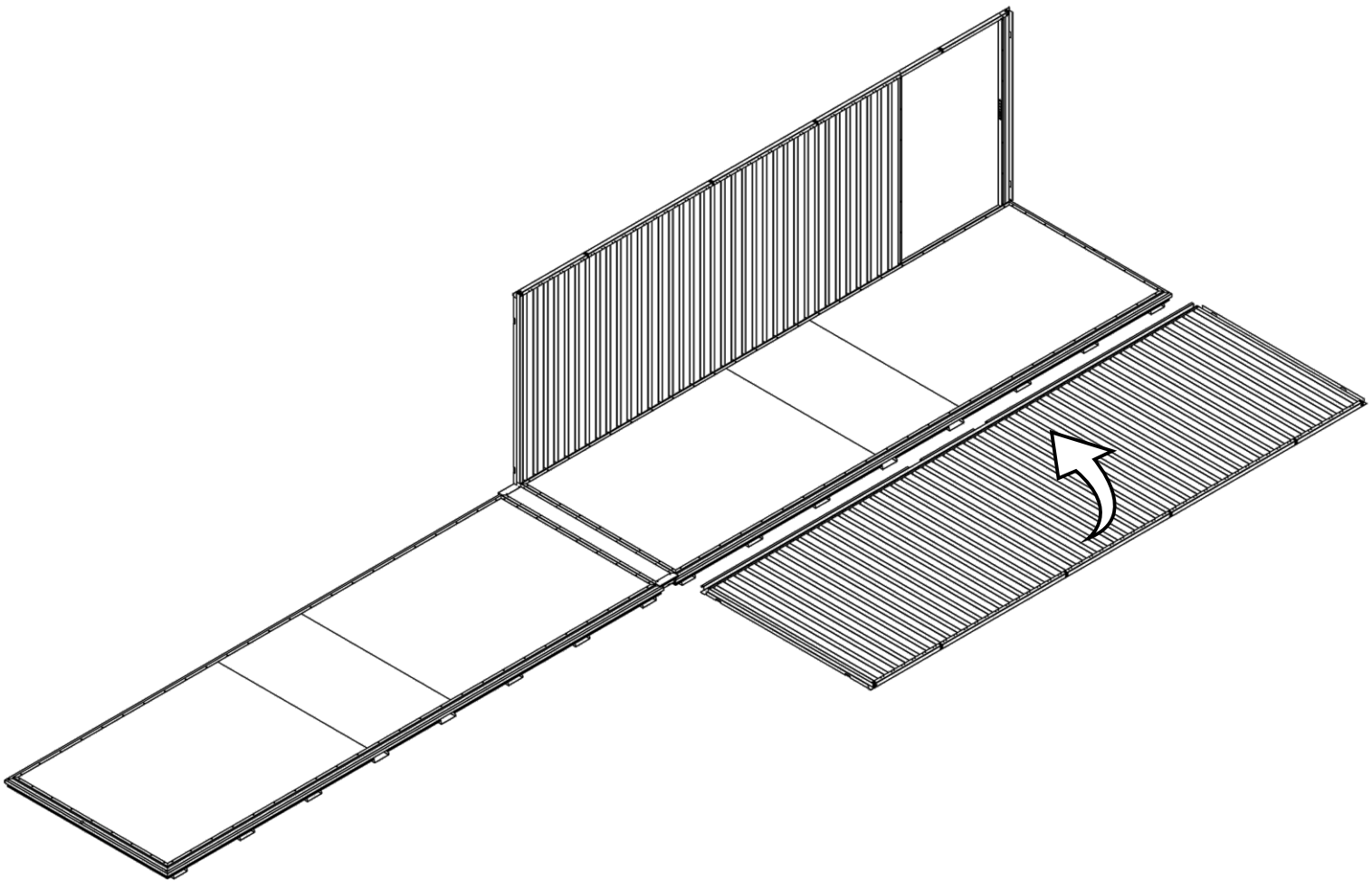
1.1.



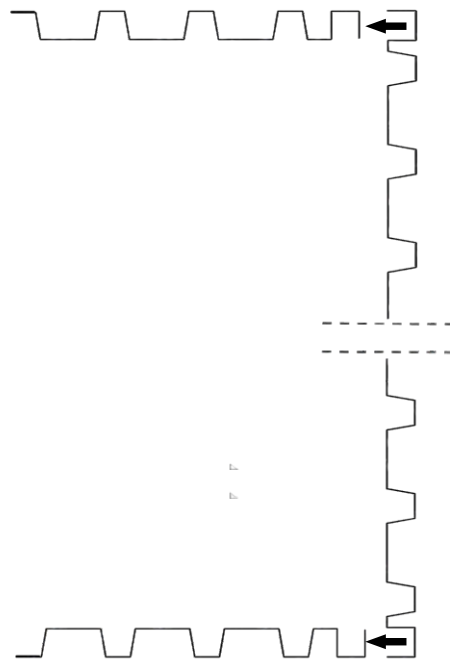
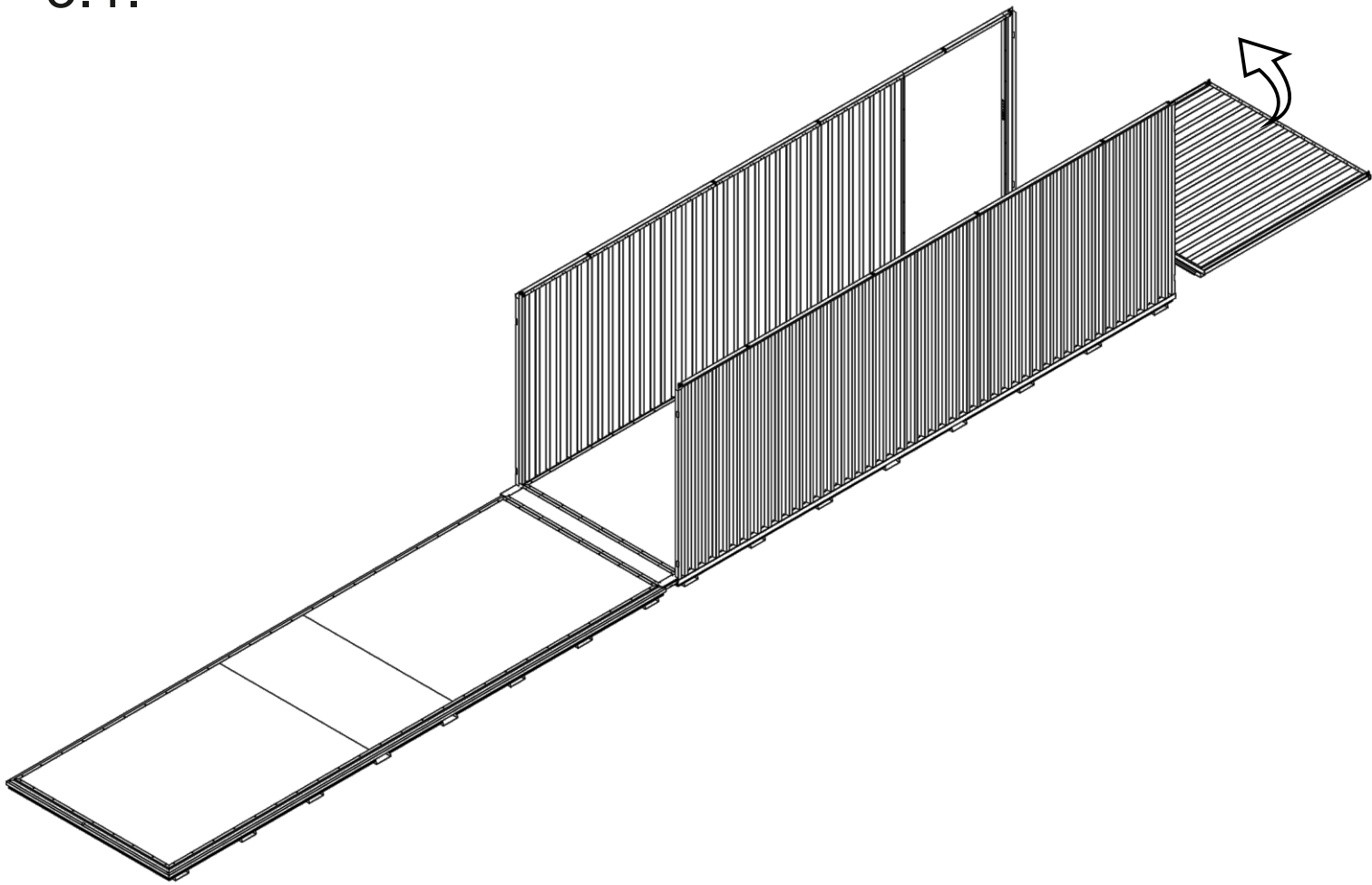
1.2.



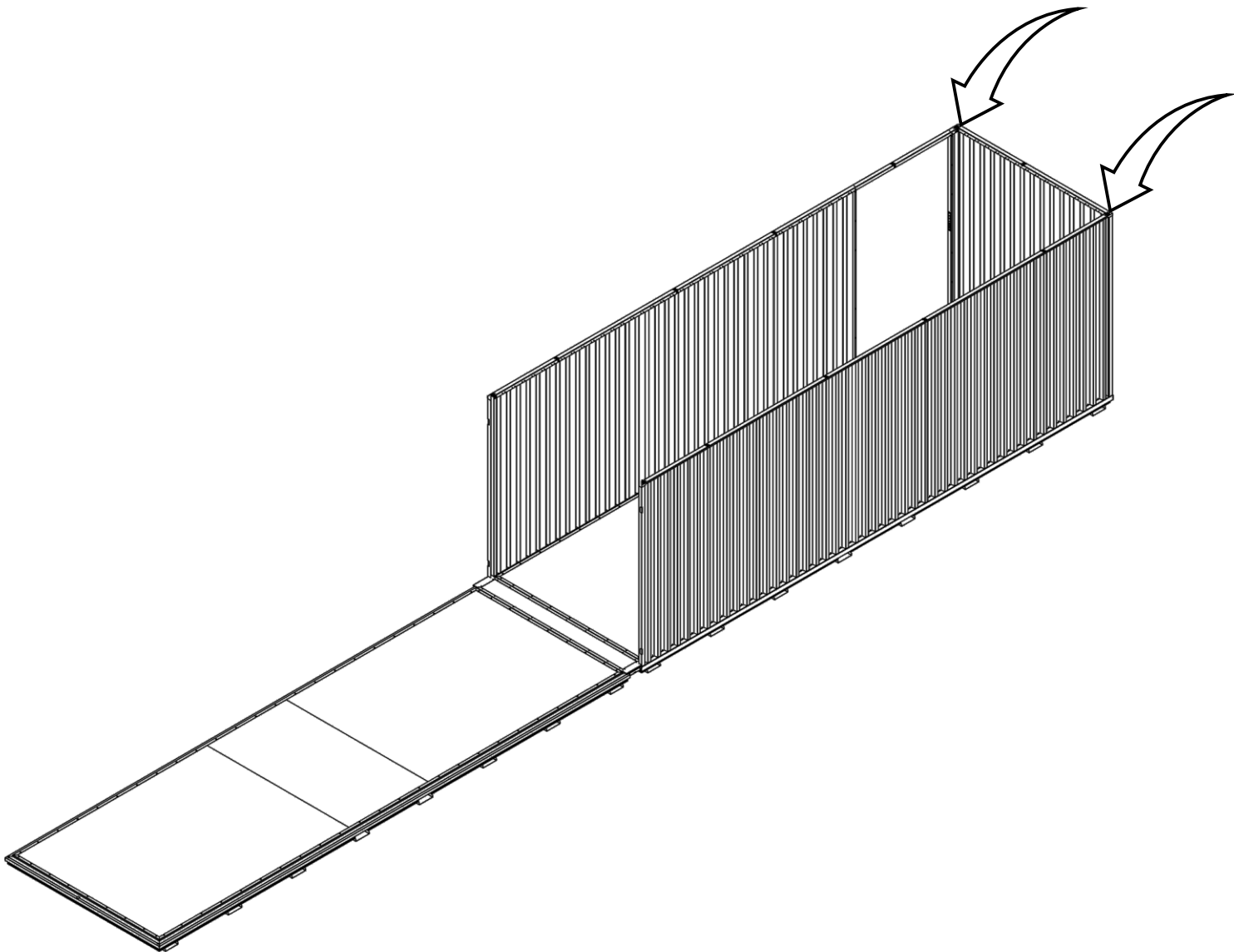
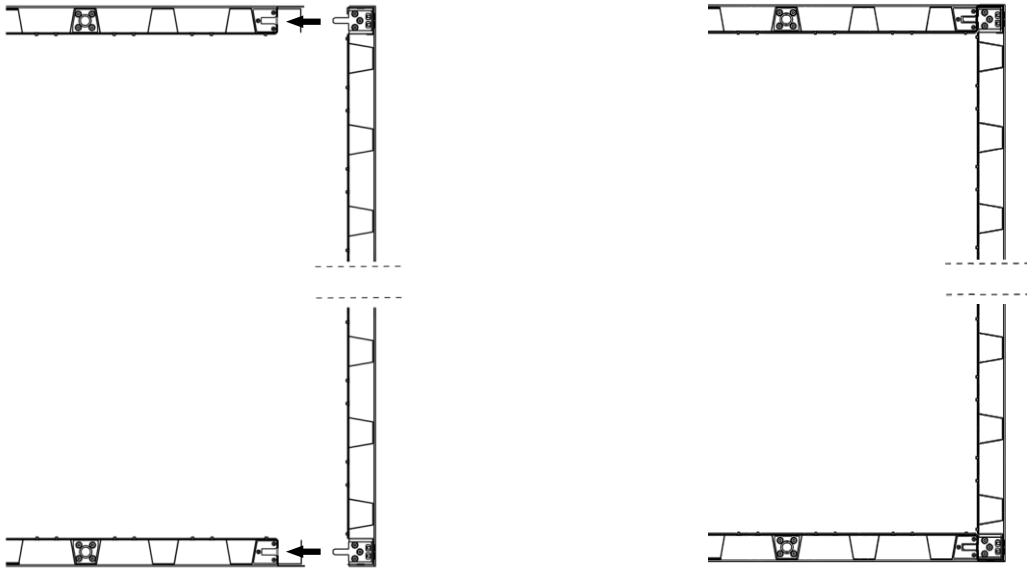
2.1.



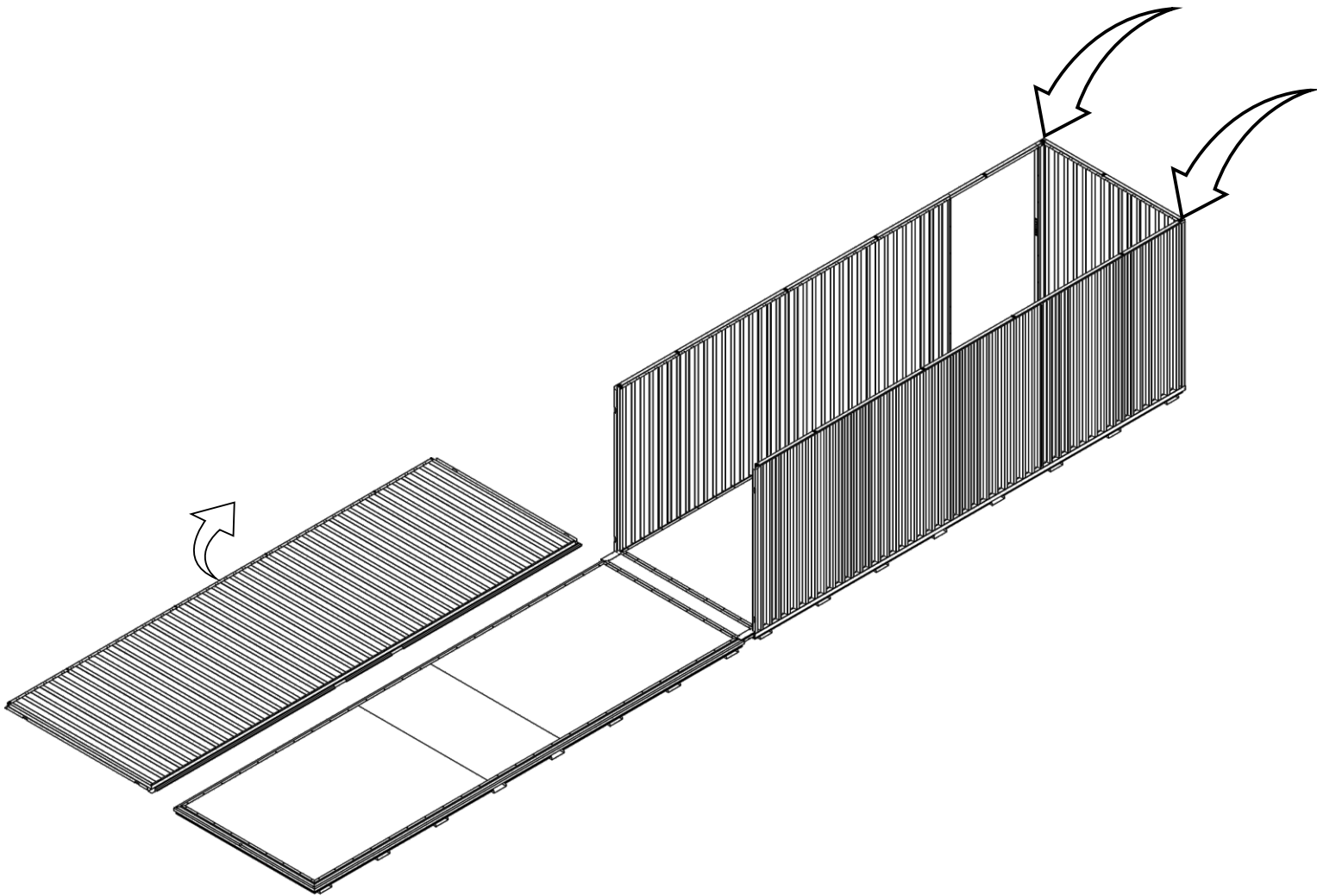
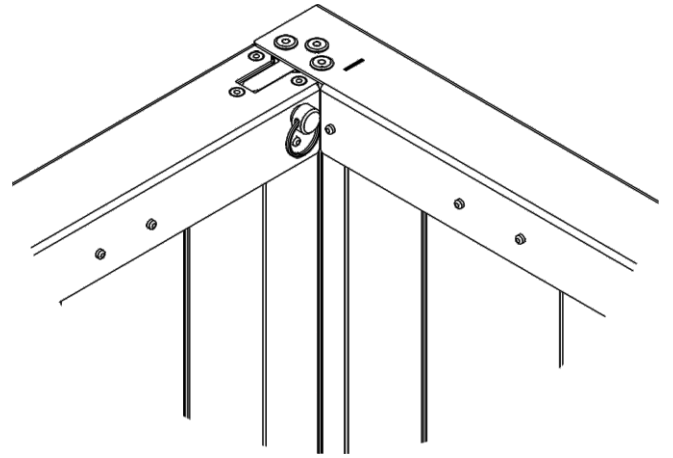
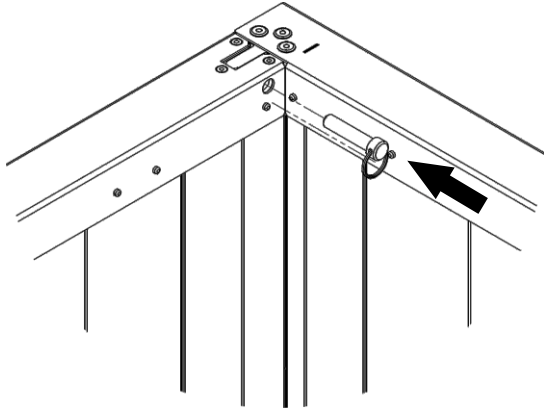
3.1.



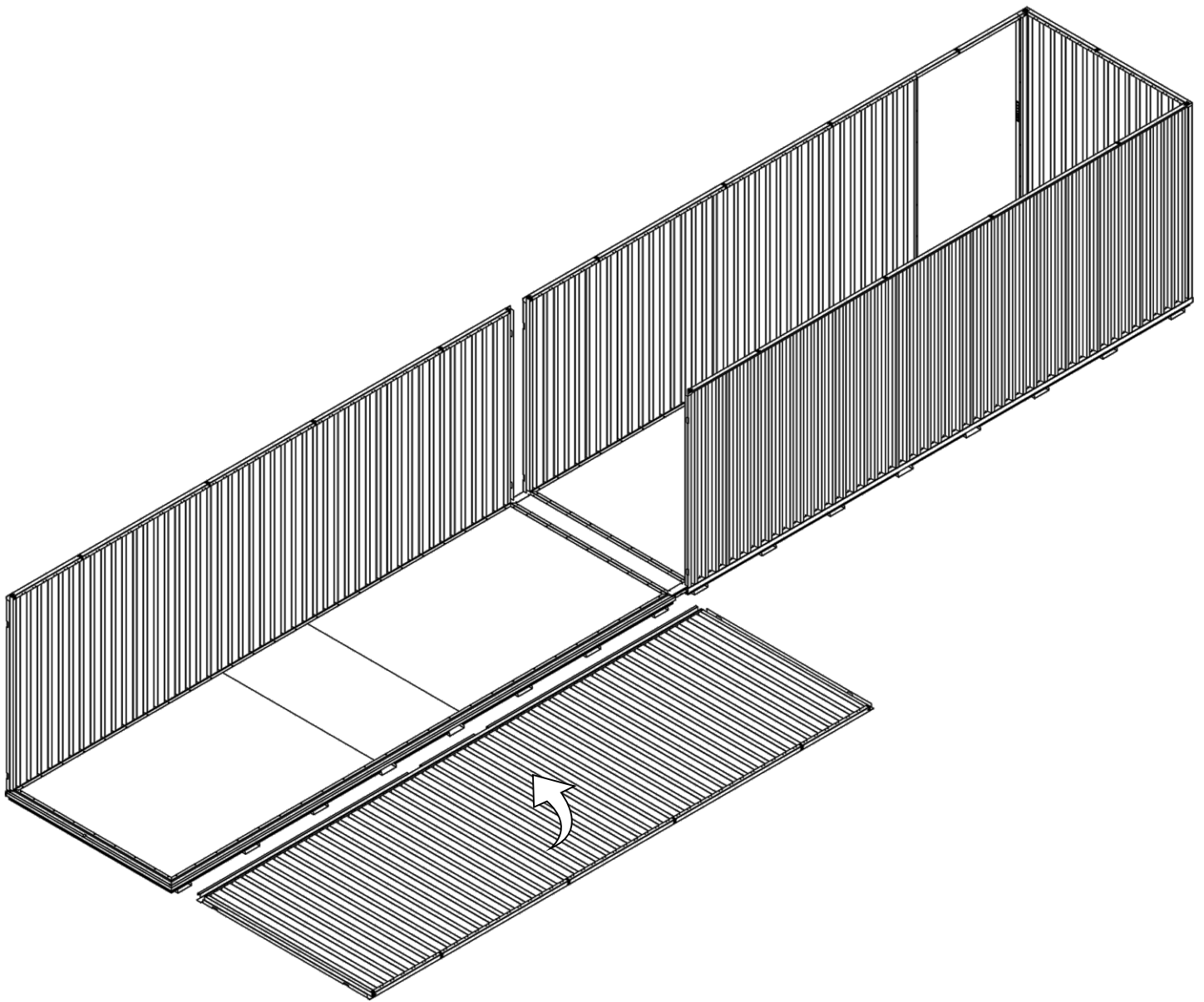
3.2.



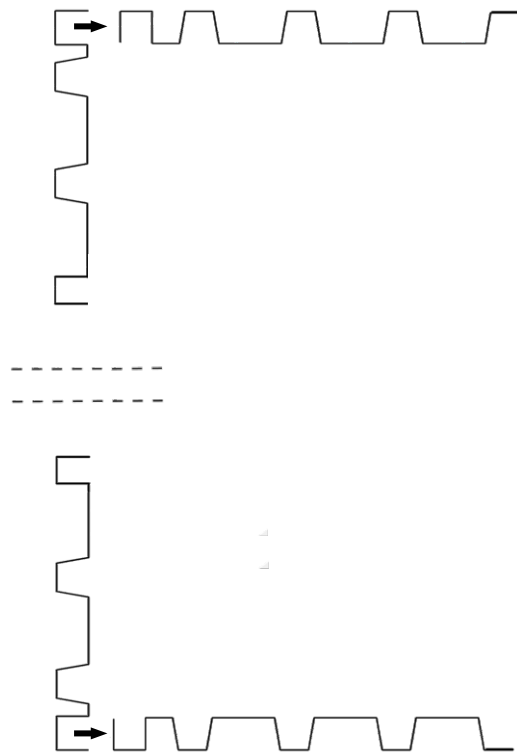
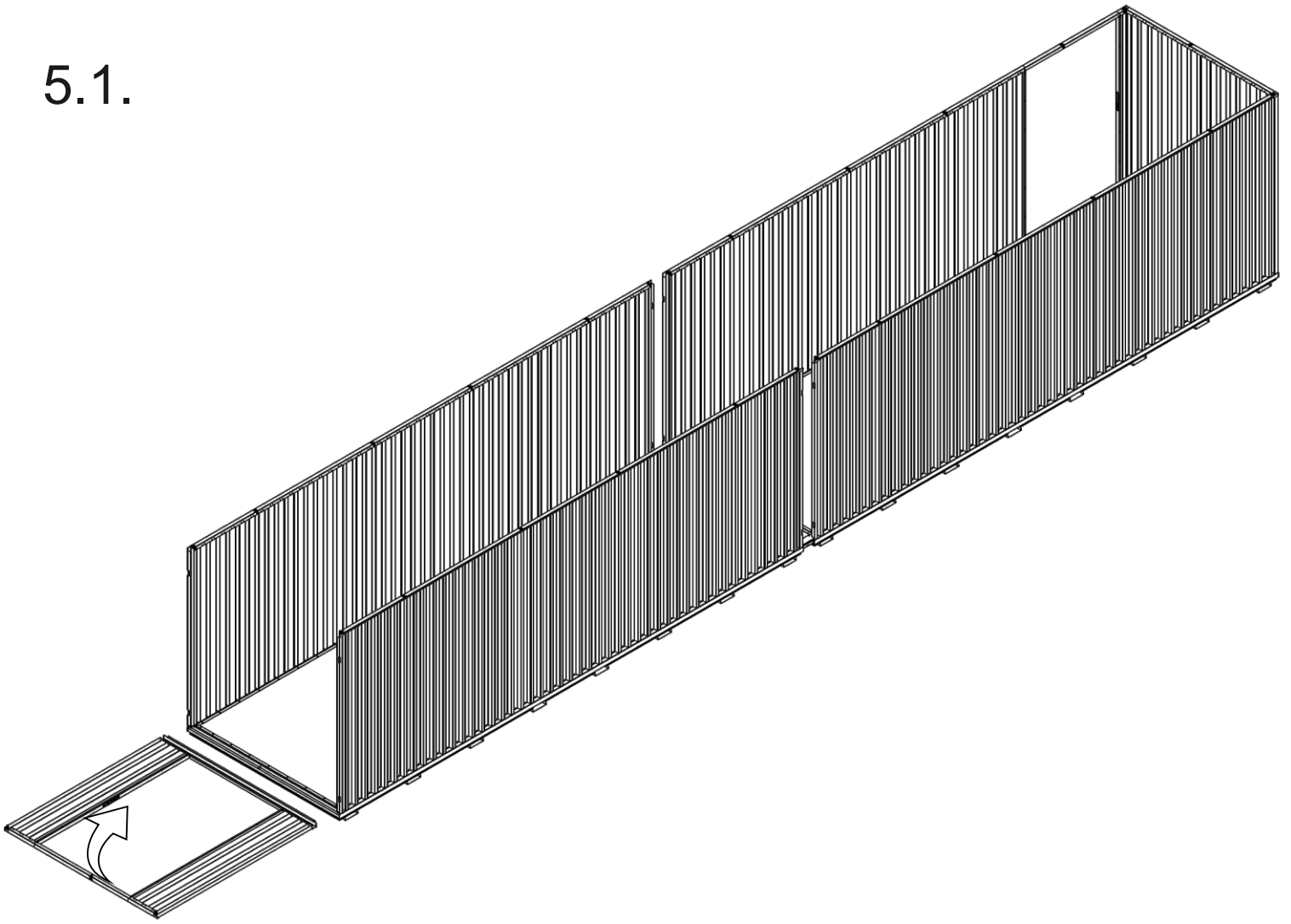
3.3.



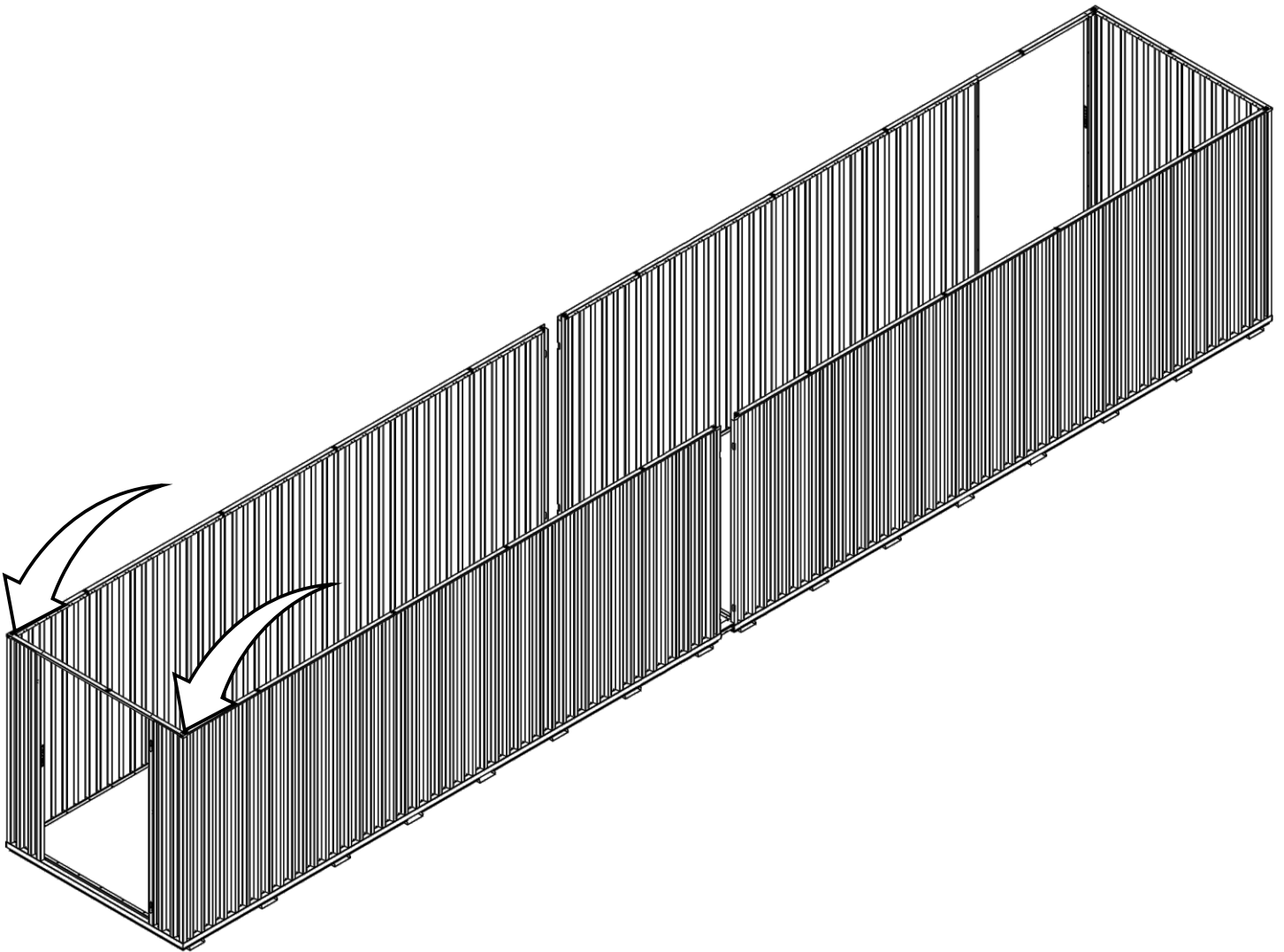
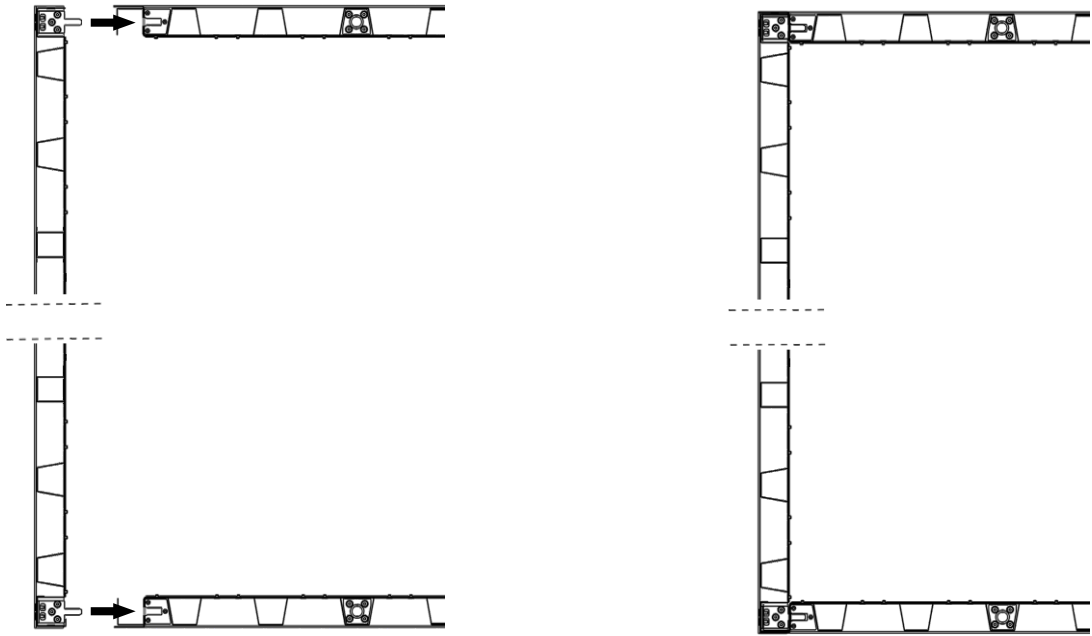
4.1.



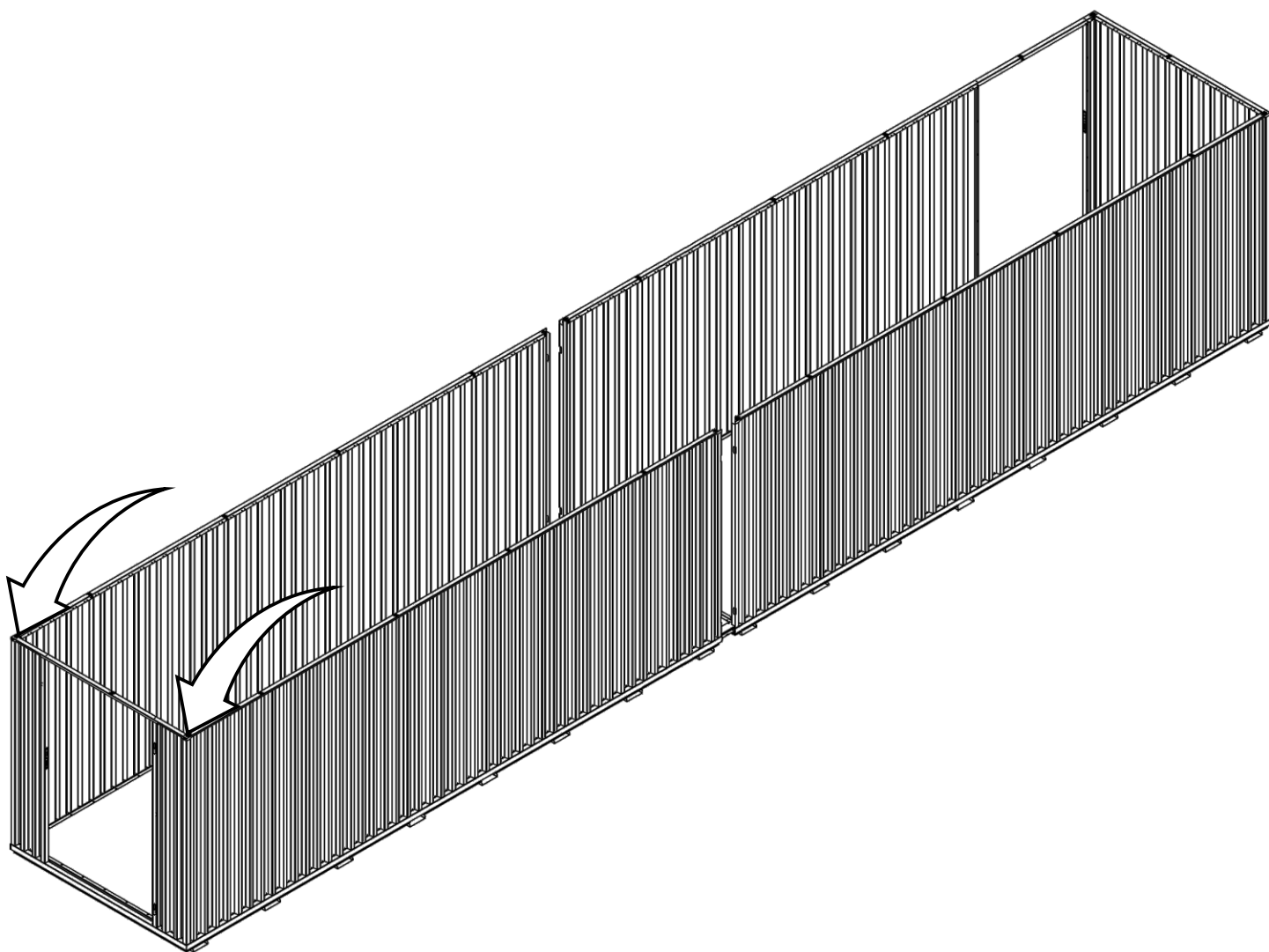
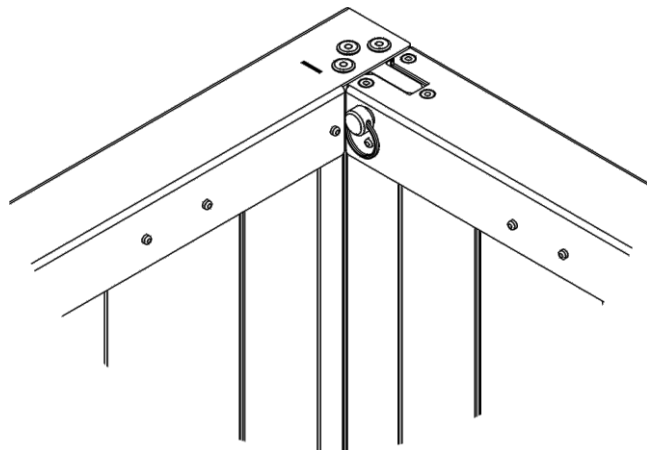
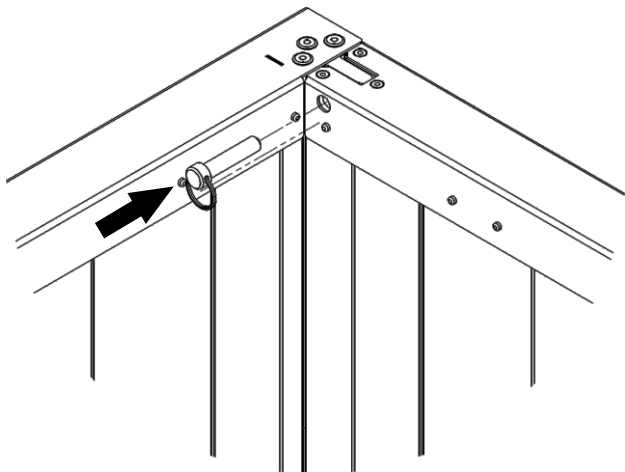
5.1.



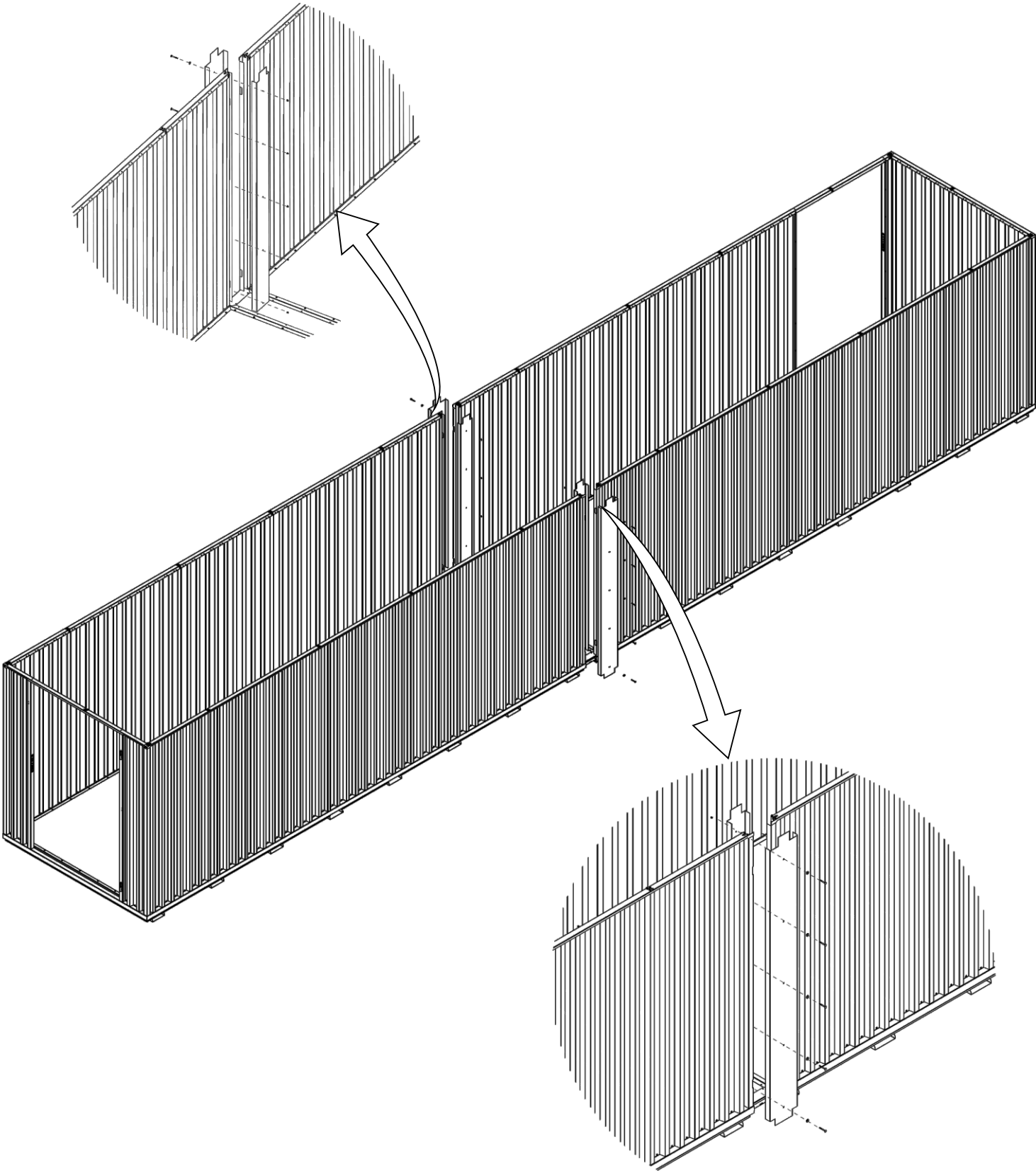
5.2.



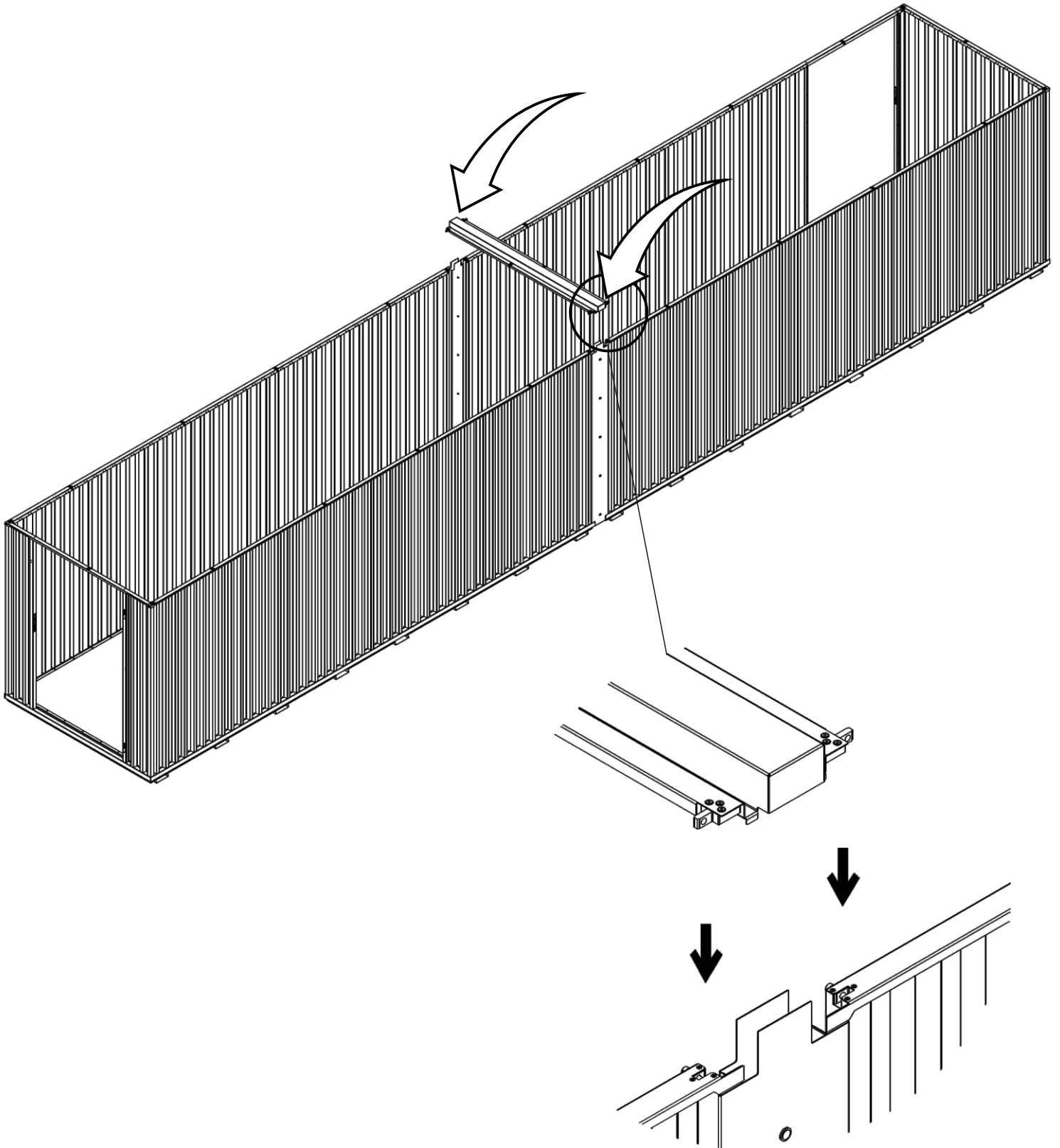
5.3.



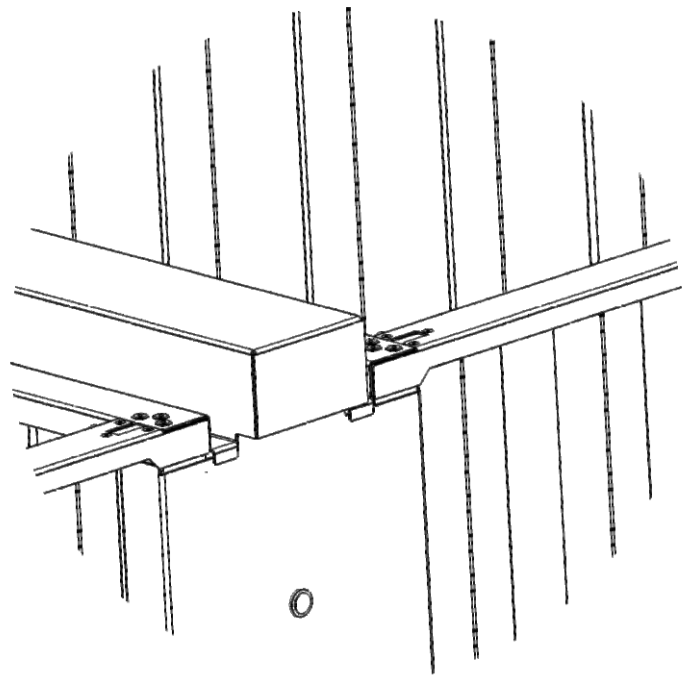
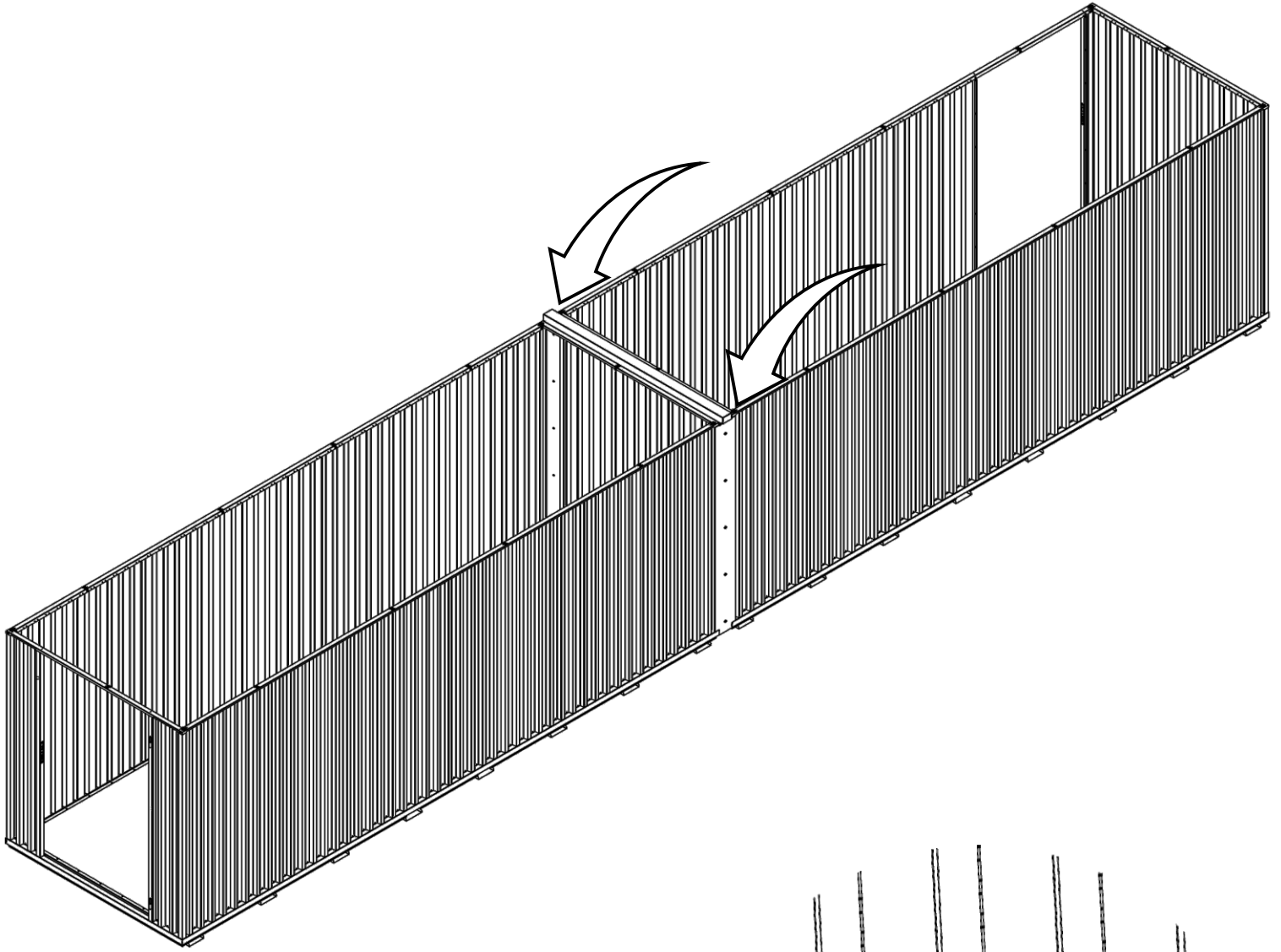
6.1.



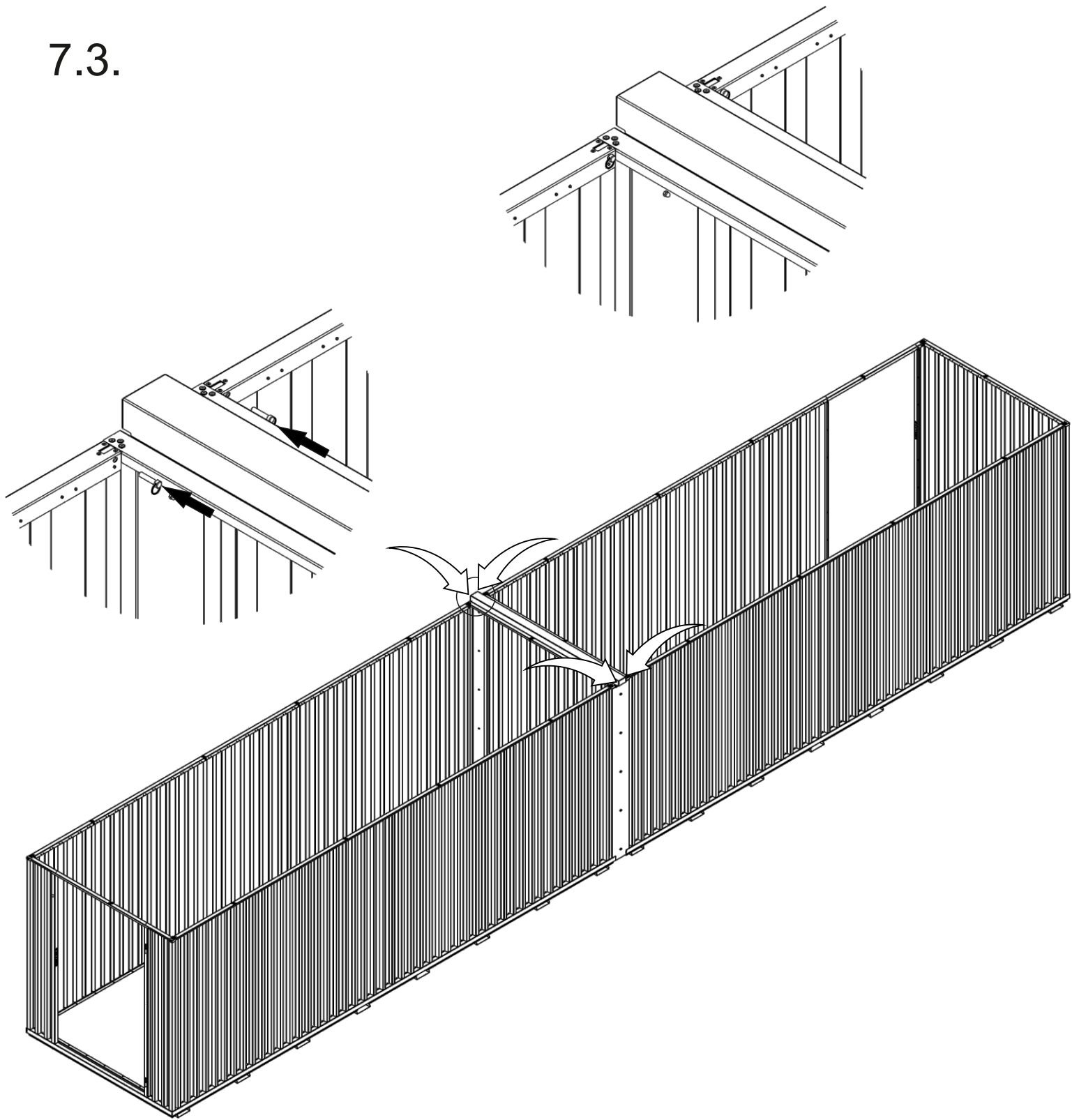
7.1.



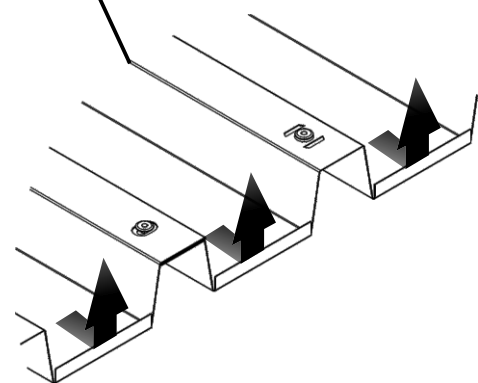
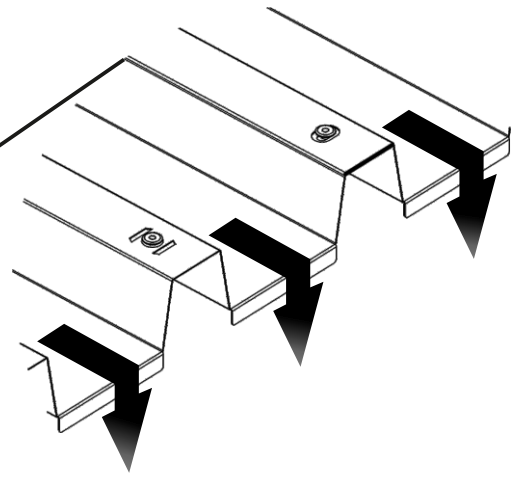
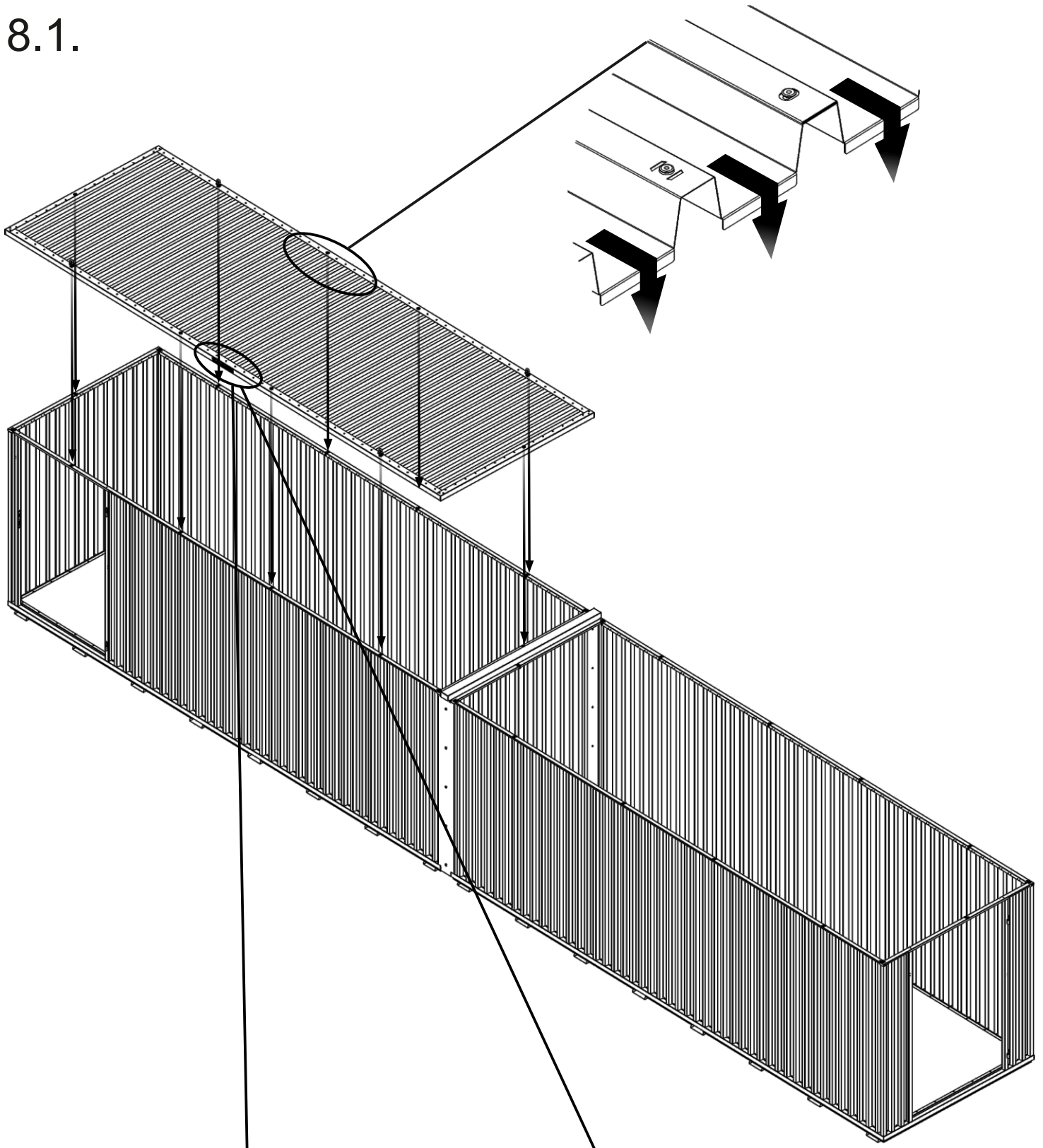
7.2.





7.3.

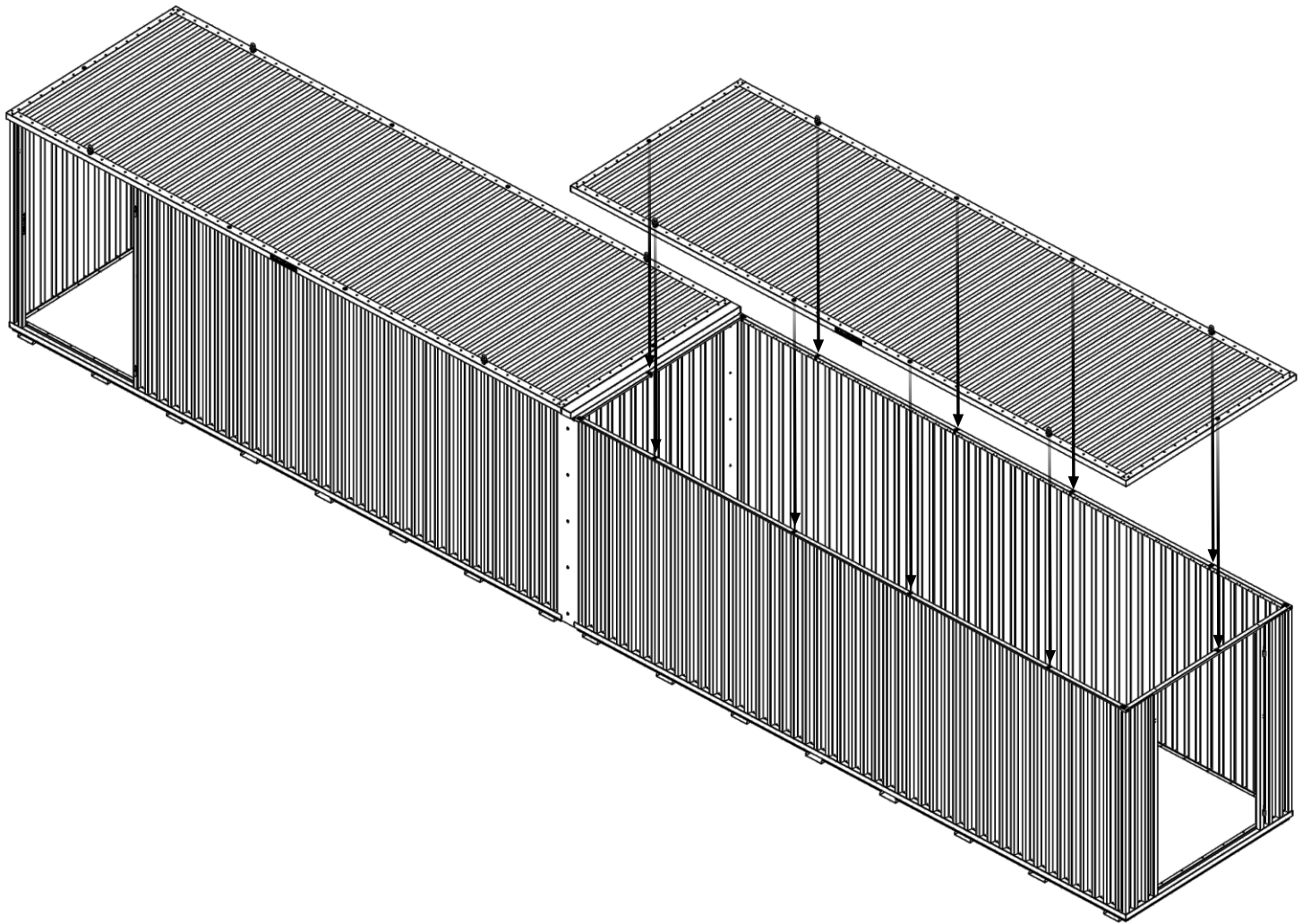


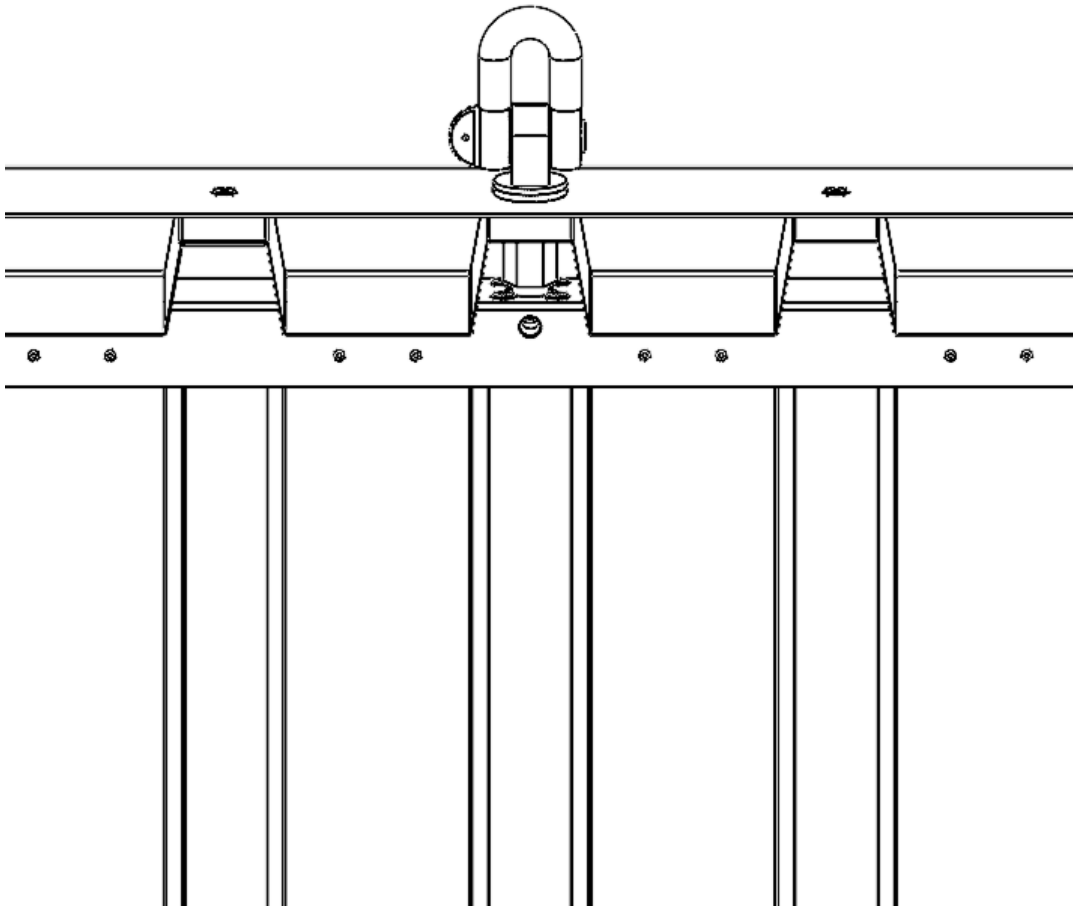
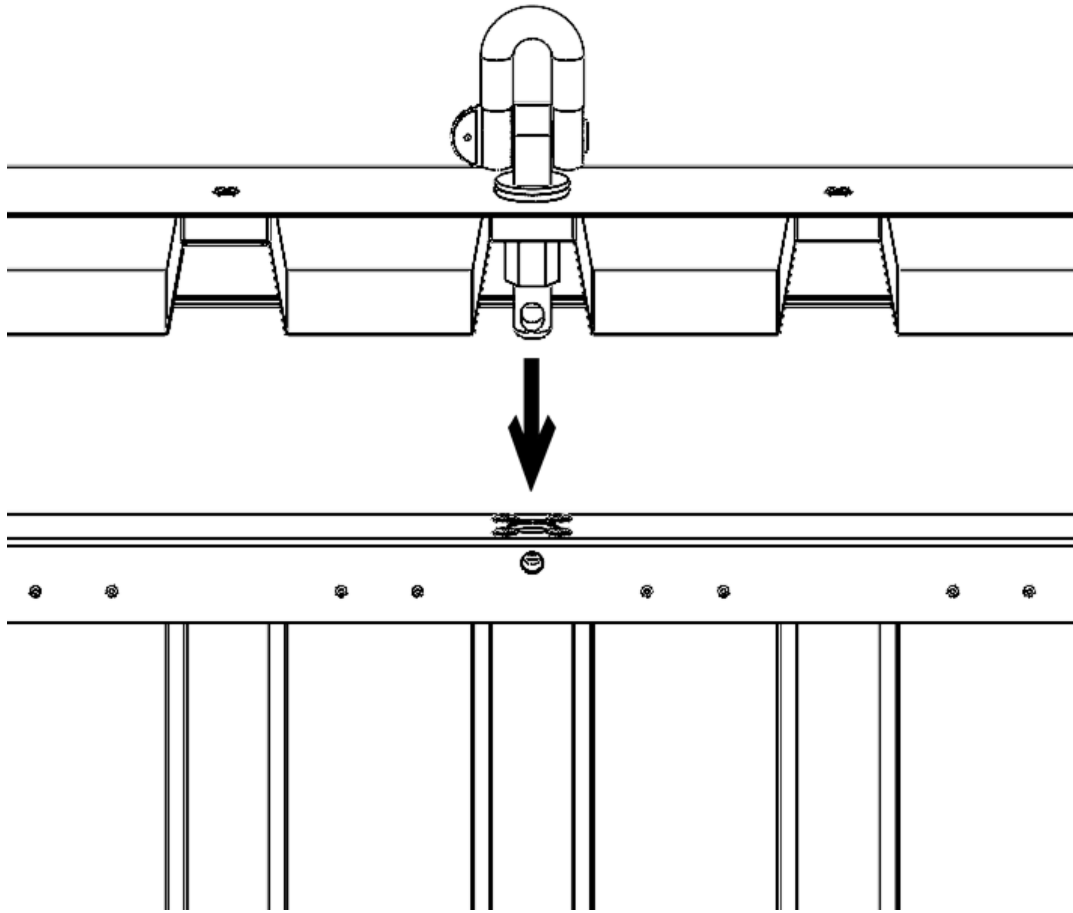
8.1.



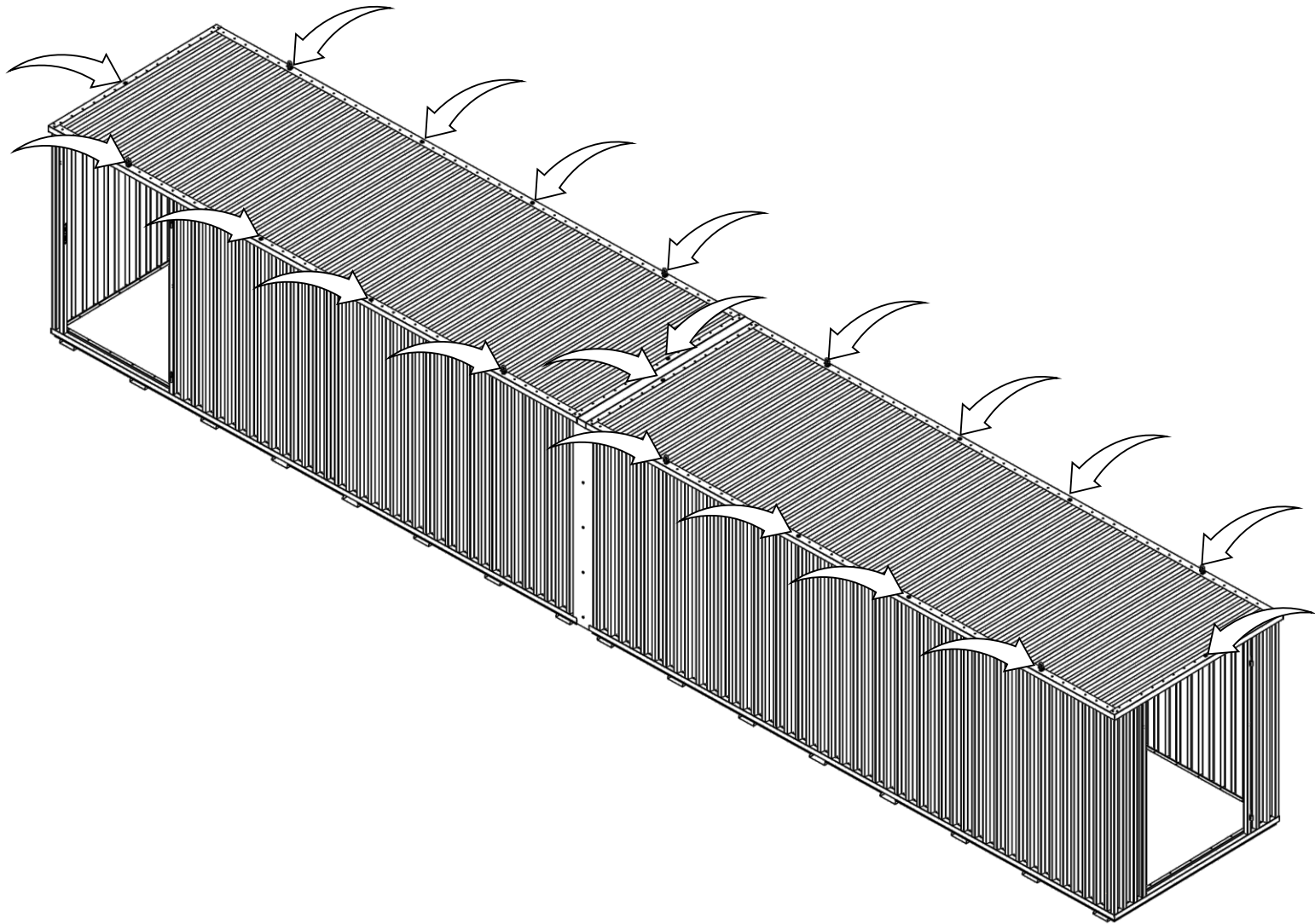
 Mass ...Kg.	 Total ... Kg.	 1640 MM	Model Code Production Tracking Code			
			9001 14001 50001			

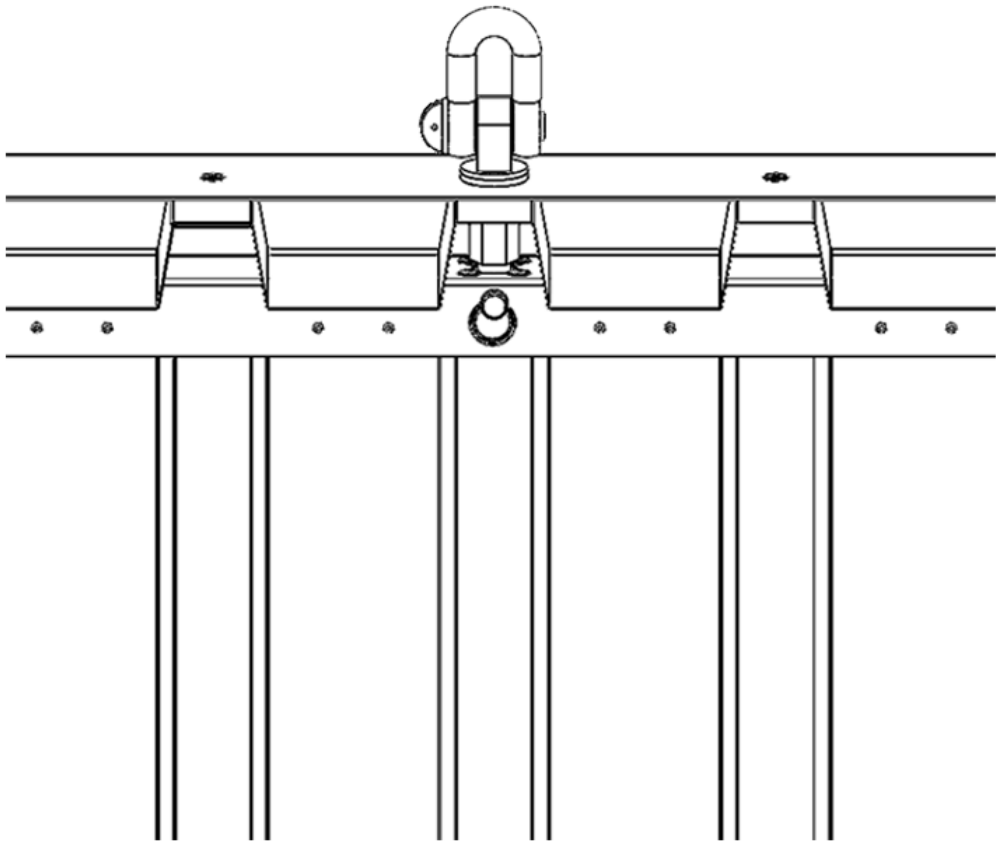
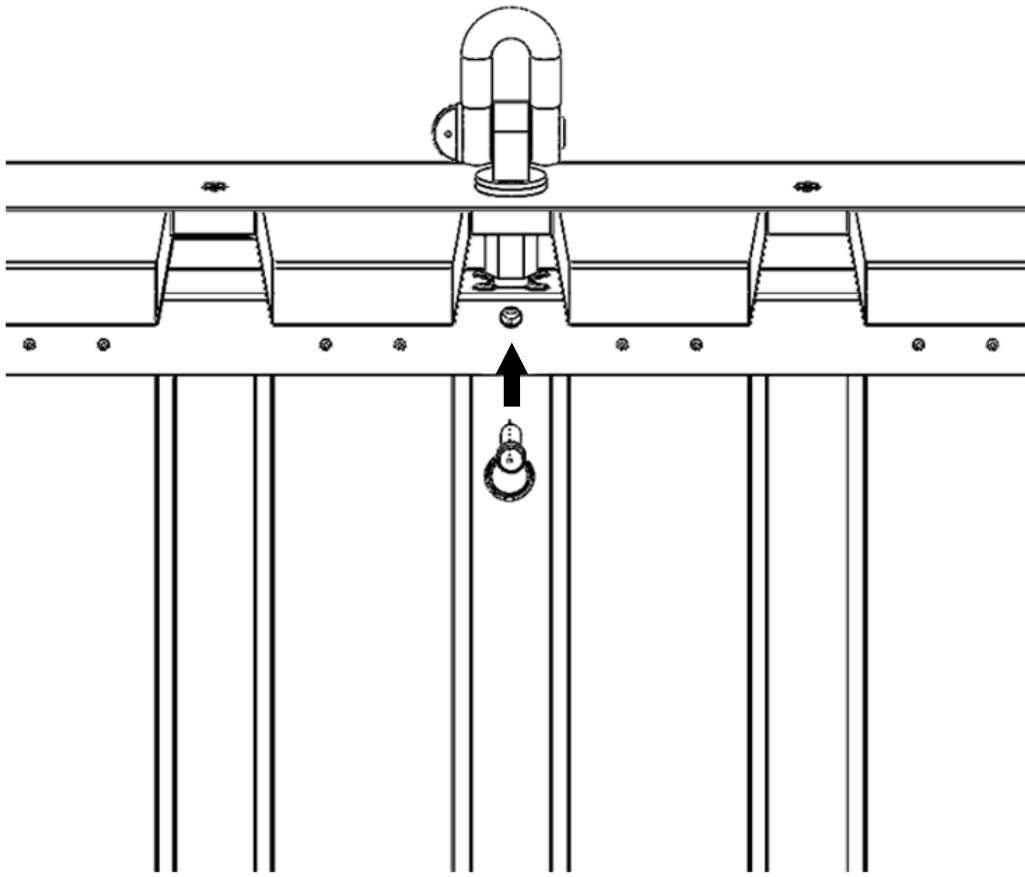
8.2.



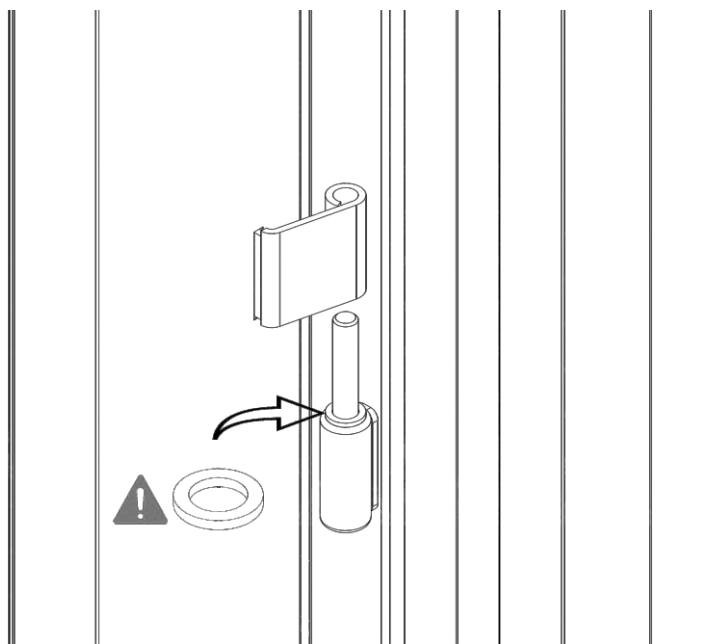
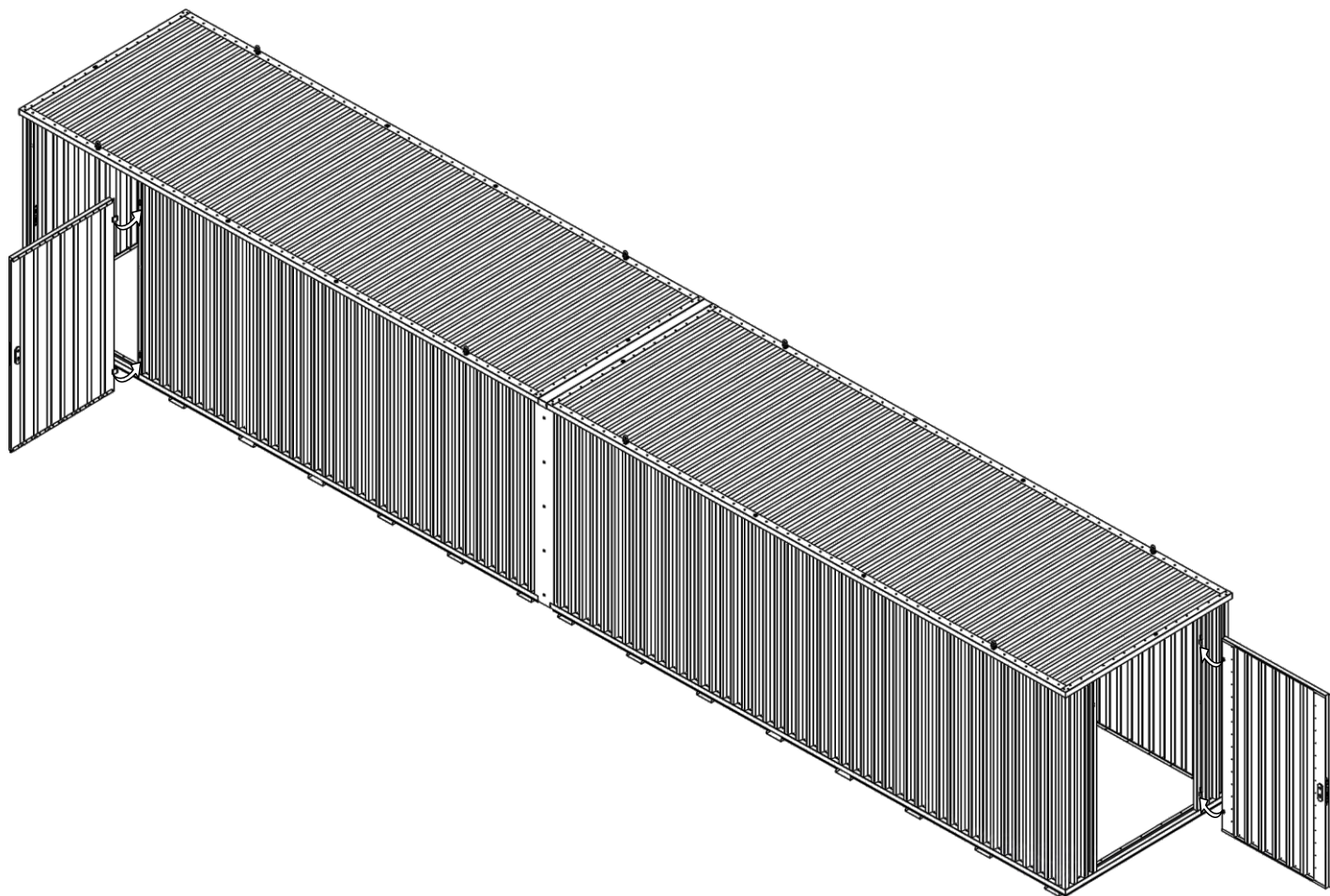


8.3.

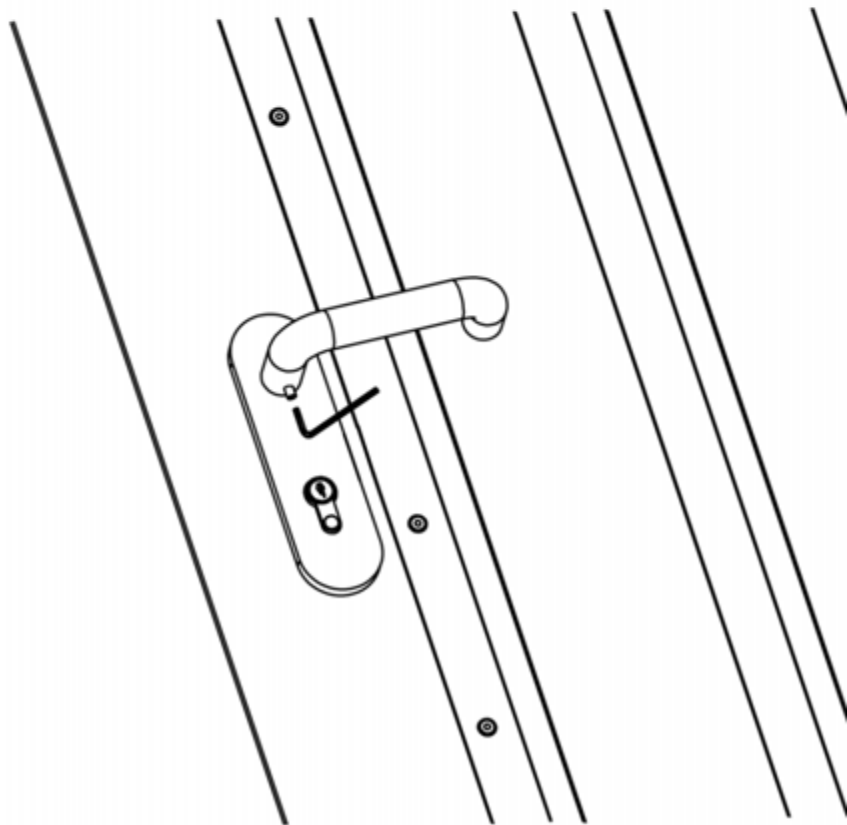
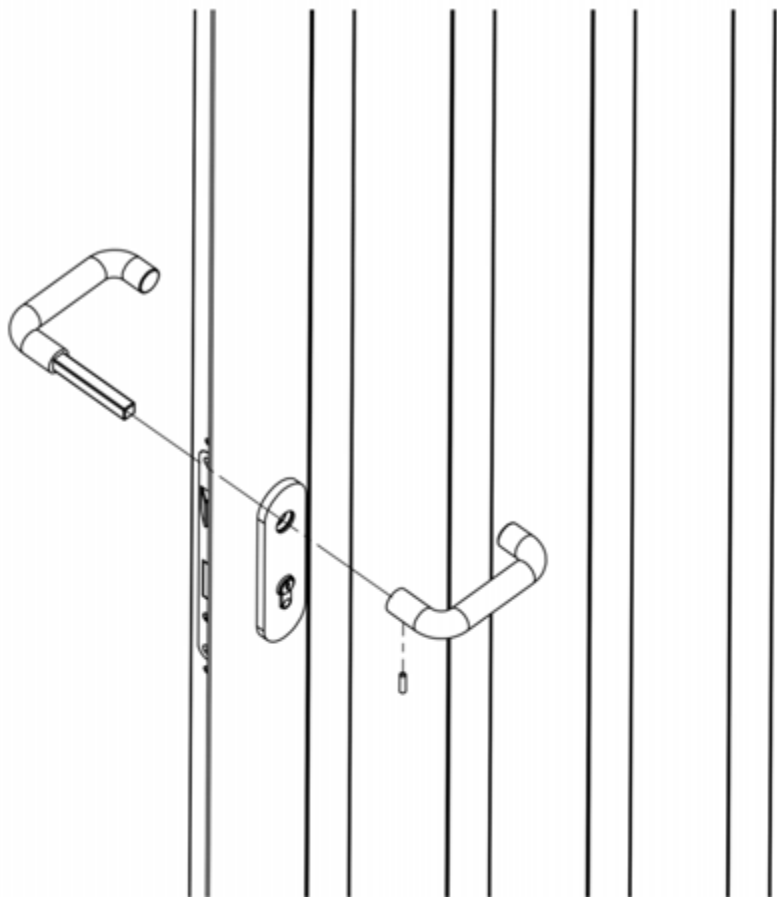




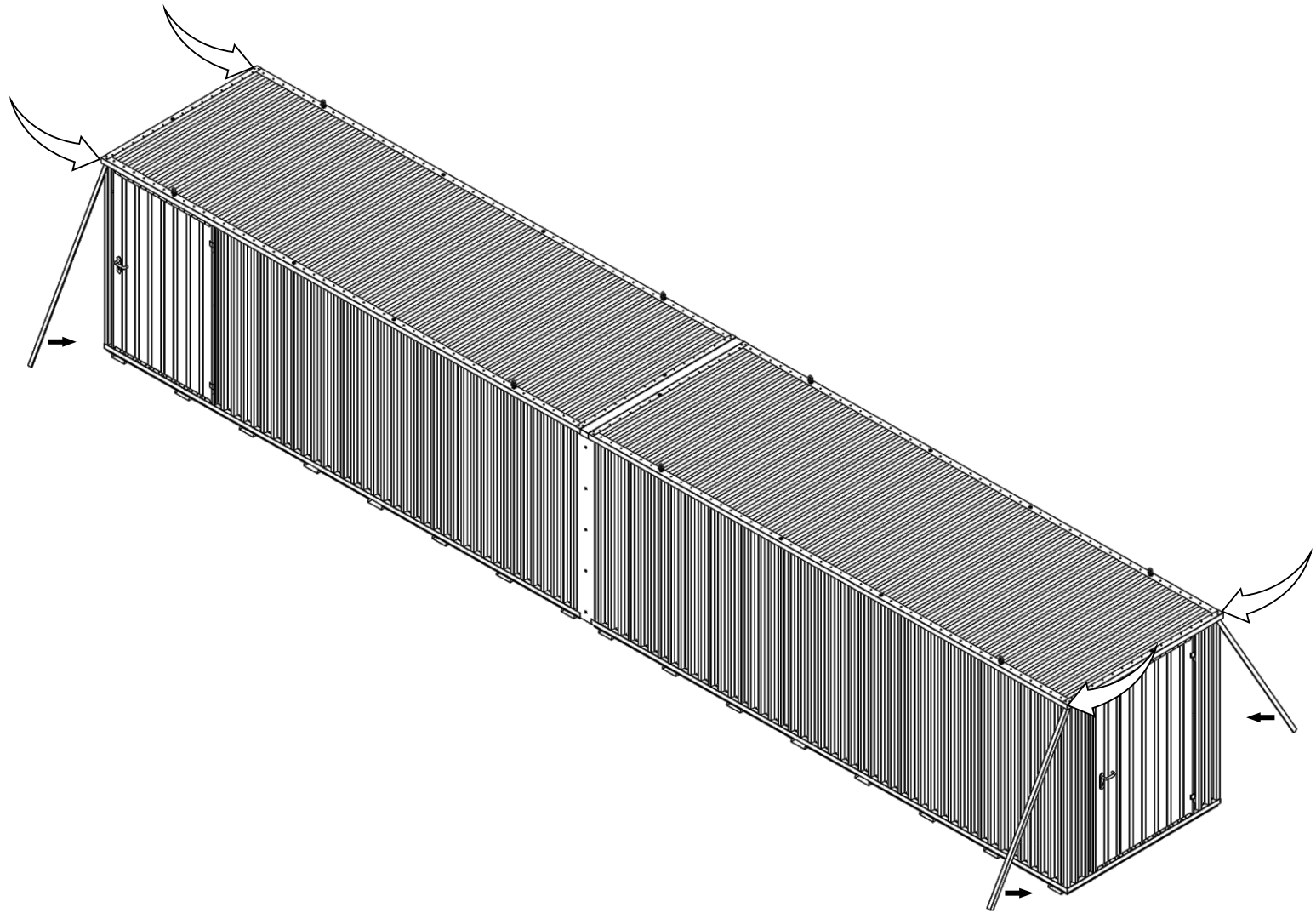
9.1.



9.2.



10.1.



11.1.

