
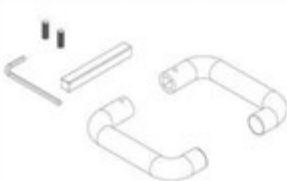




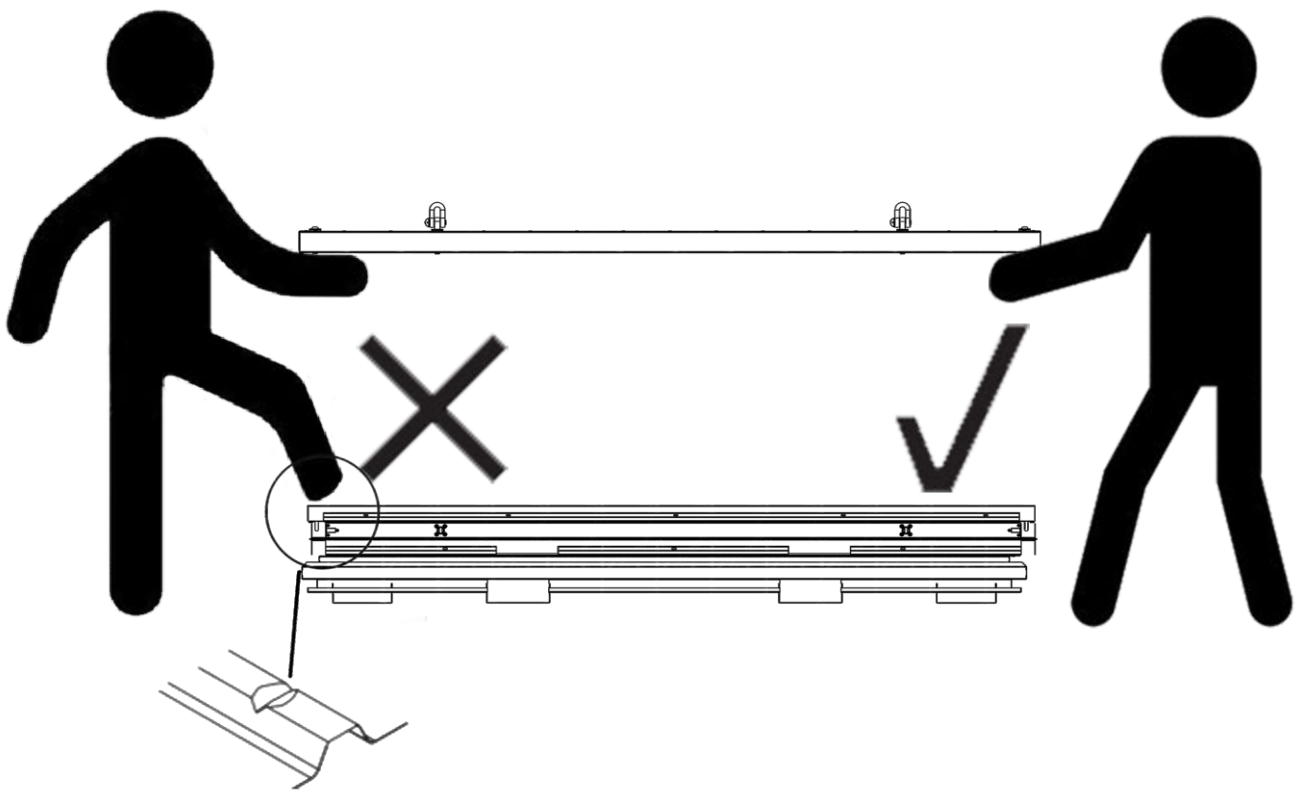
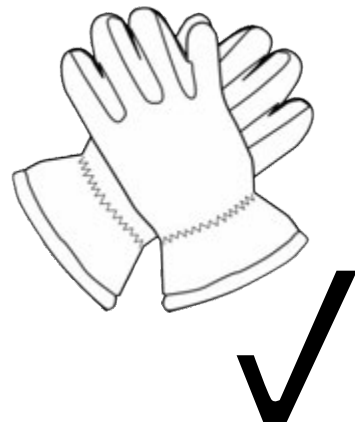
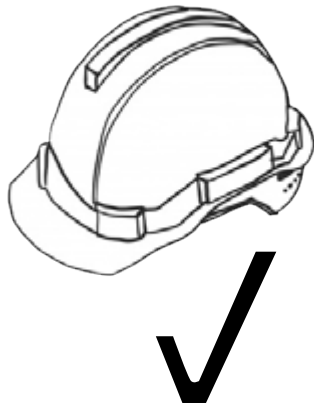


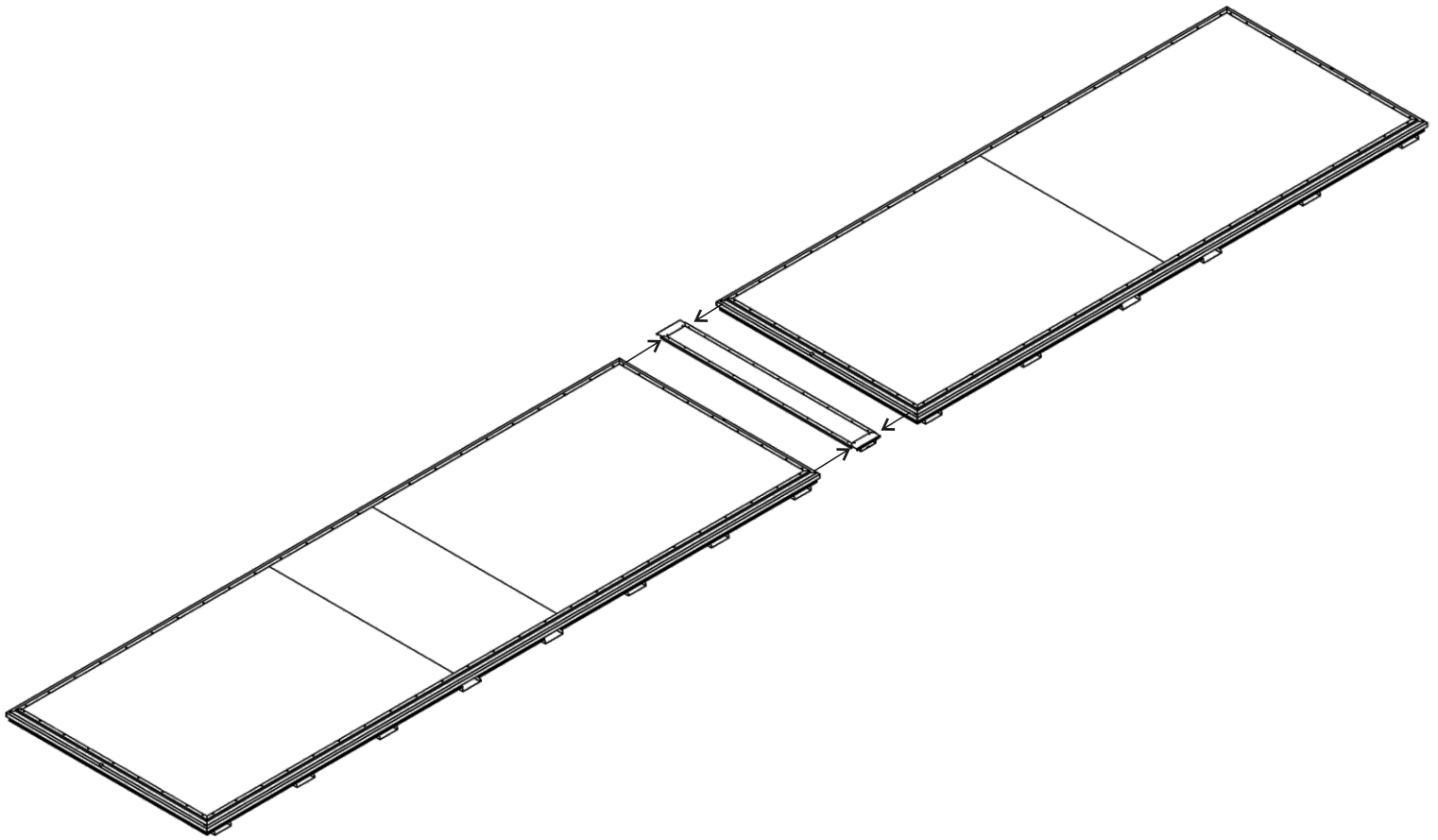
PRODUCT CODE : 6050.110.450.320



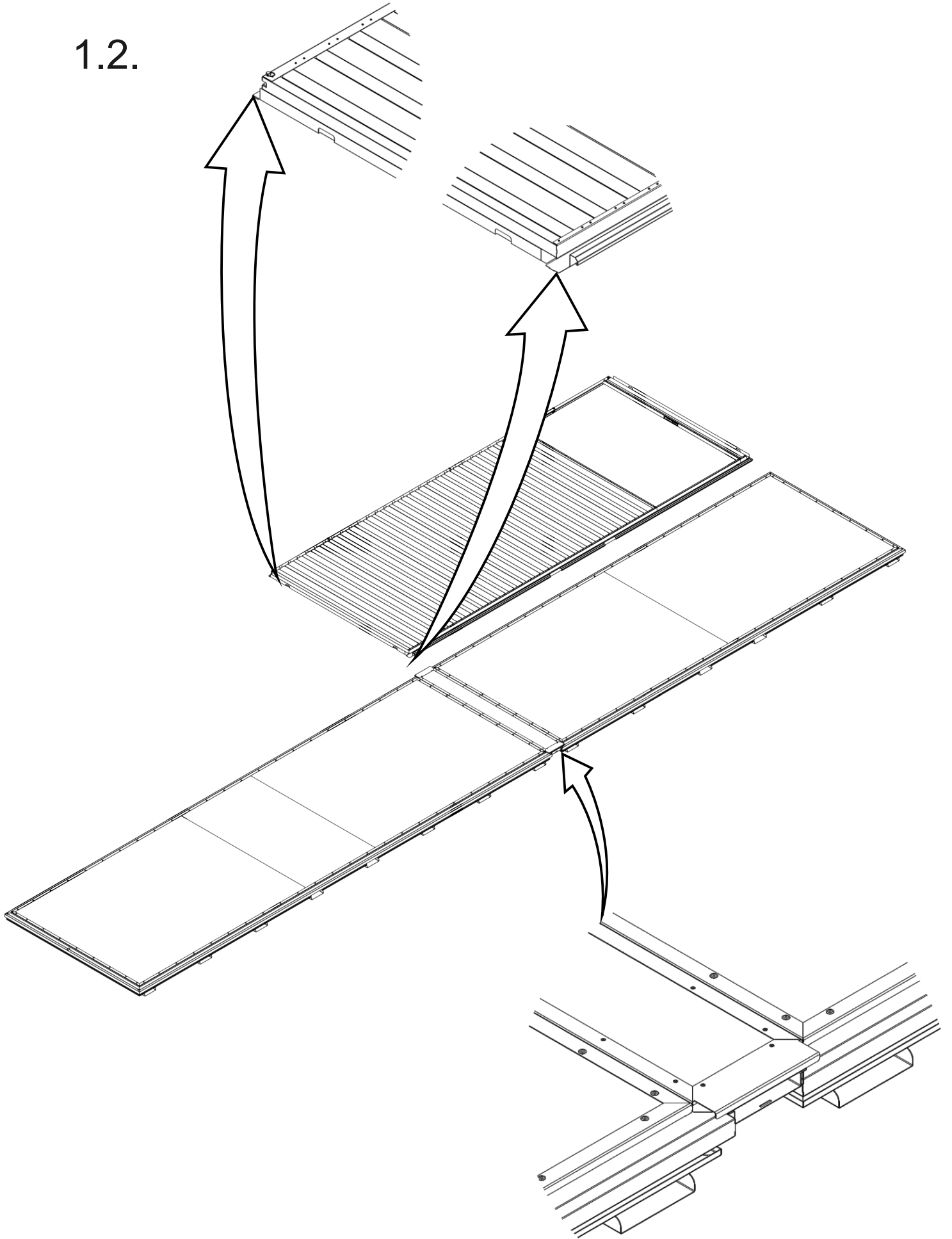
| | |
|-------------------------------------------------------------------------------------|---------|
|  | 26 pcs. |
|  | 2 pcs. |
|  | 2 pcs. |
|  | 10 pcs. |
|  | 10 pcs. |
|  | 10 pcs. |



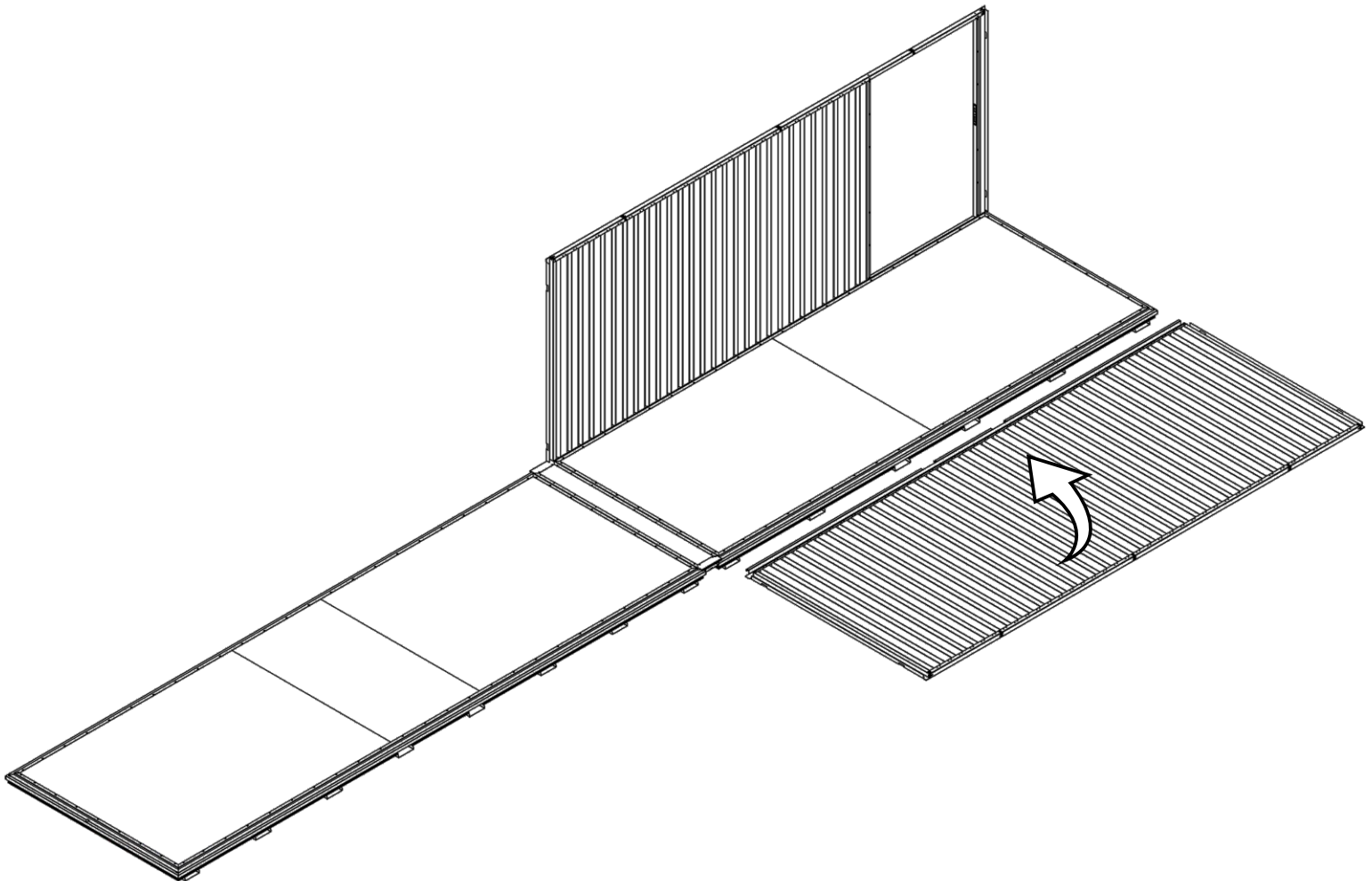
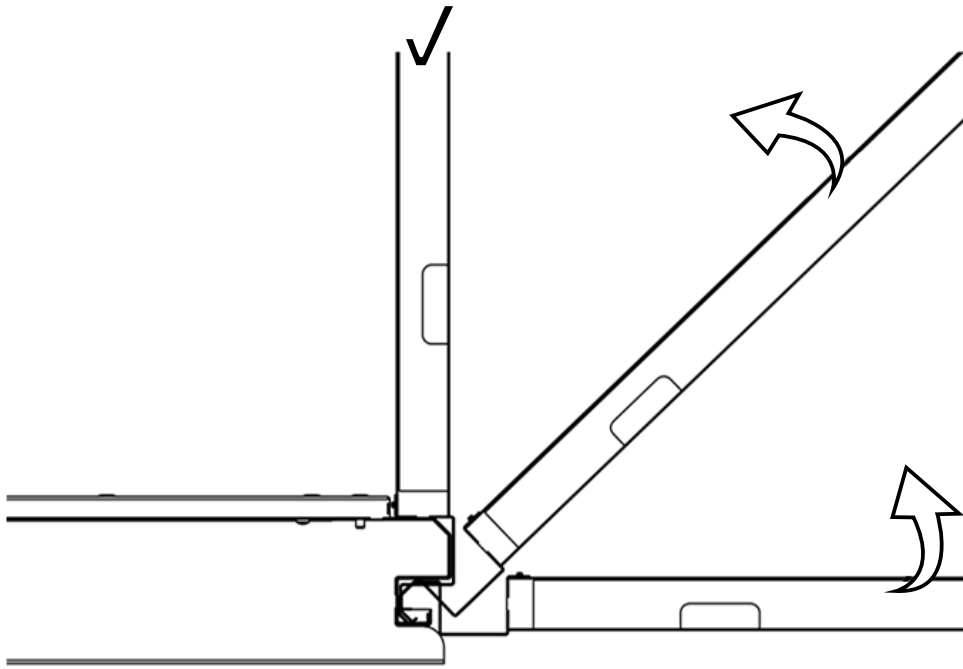
1.1.



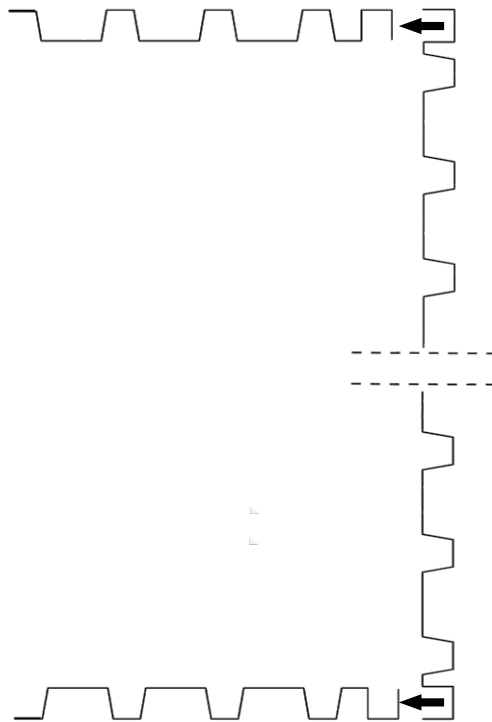
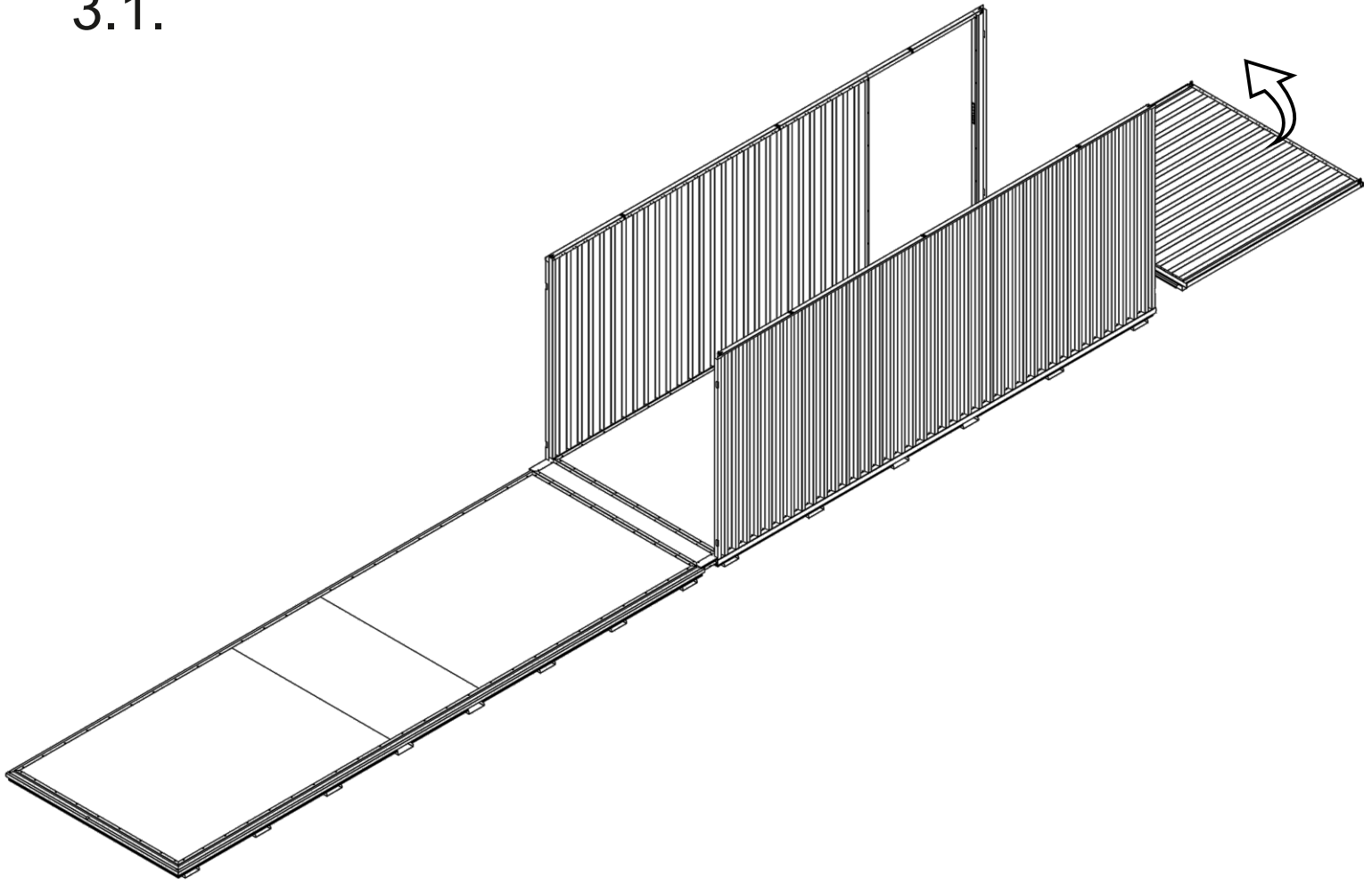
1.2.



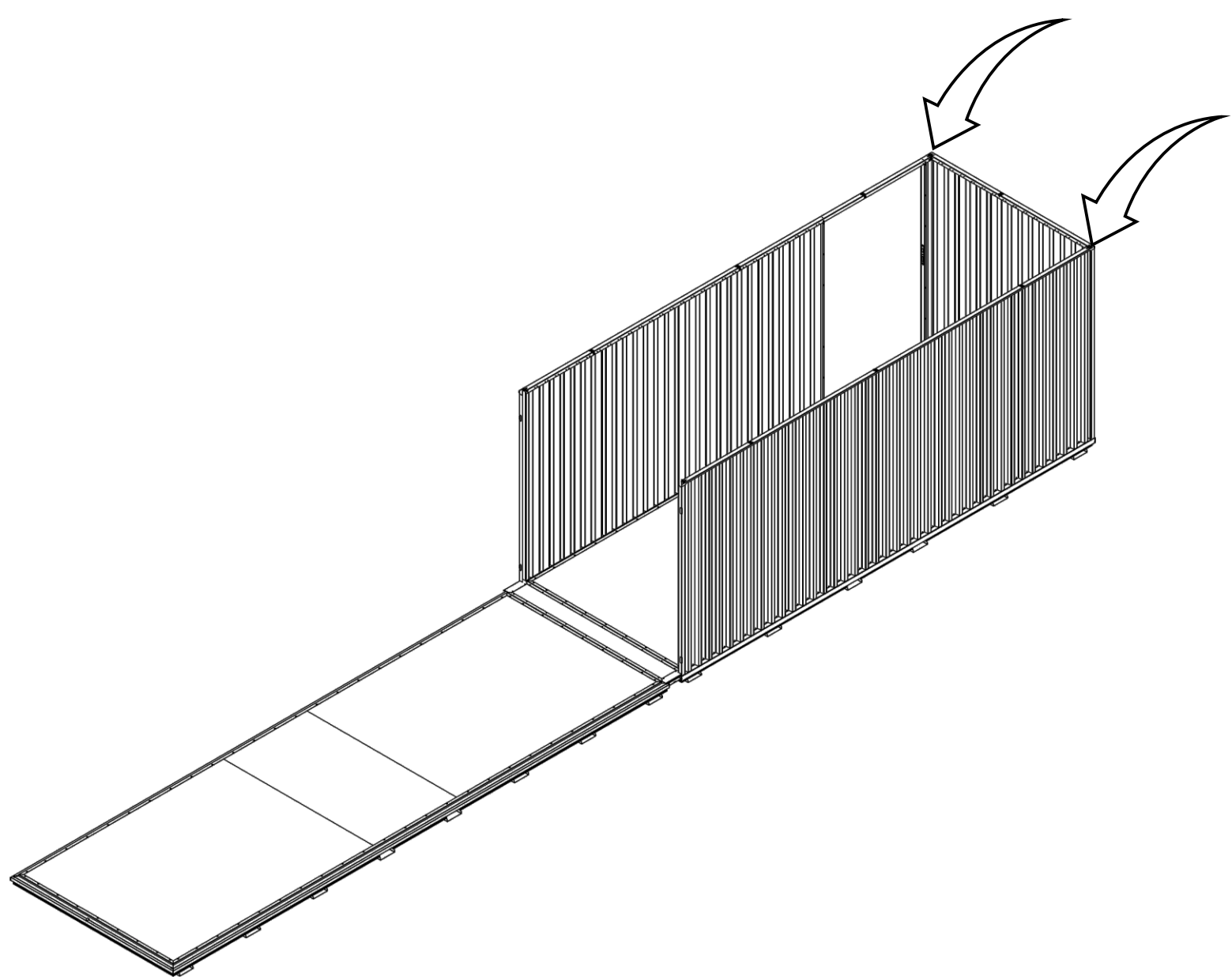
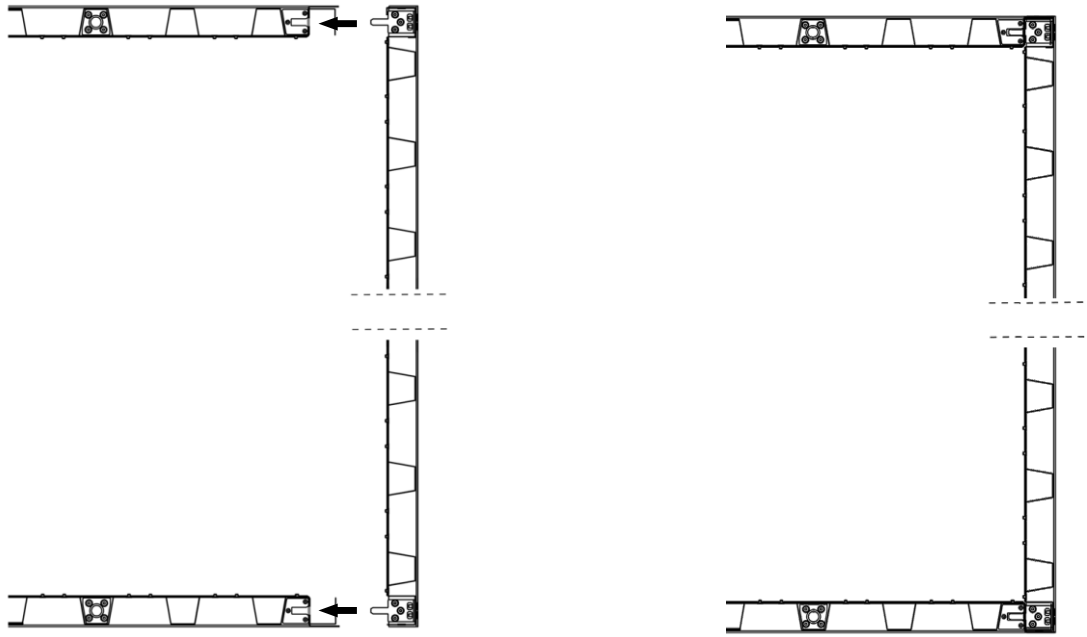
2.1.



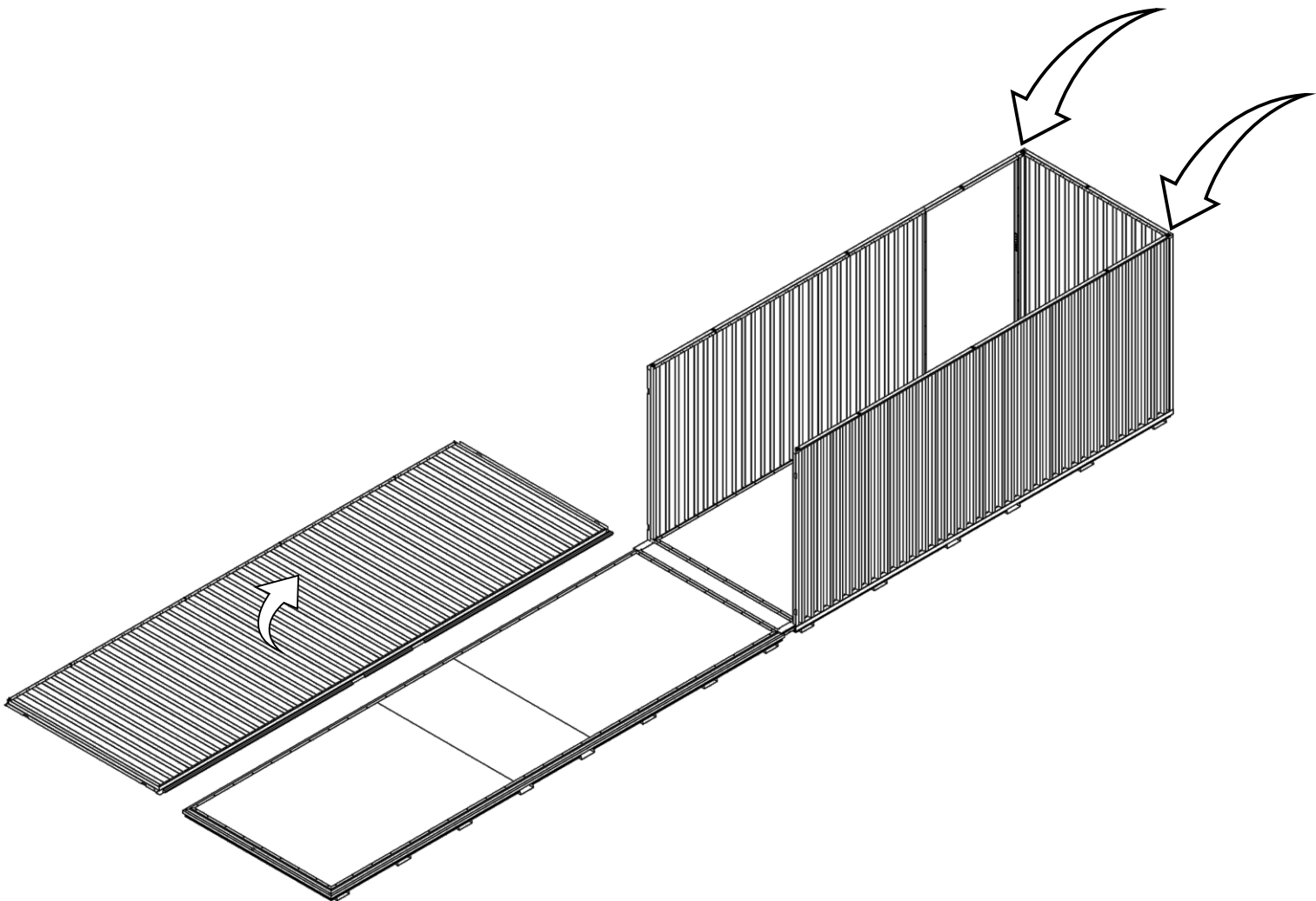
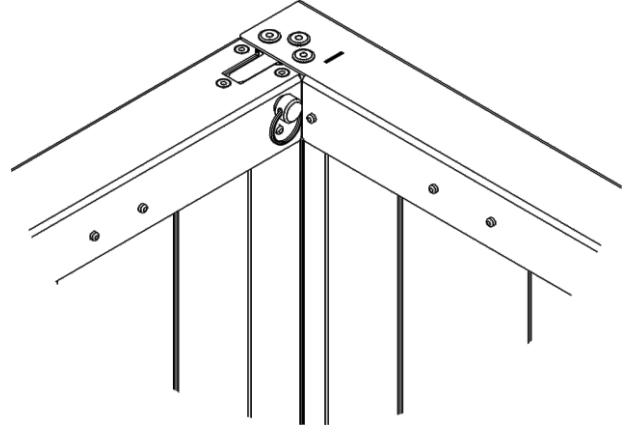
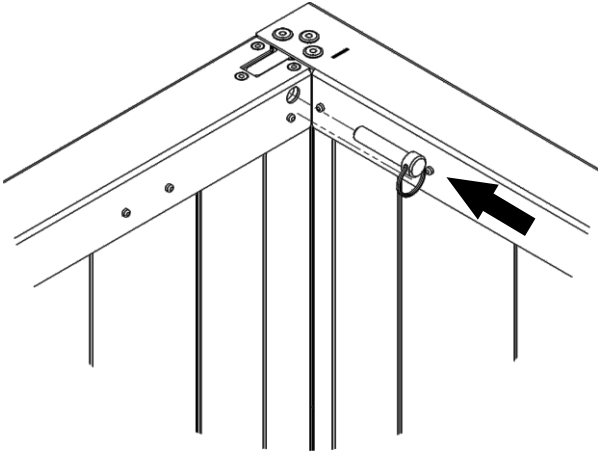
3.1.



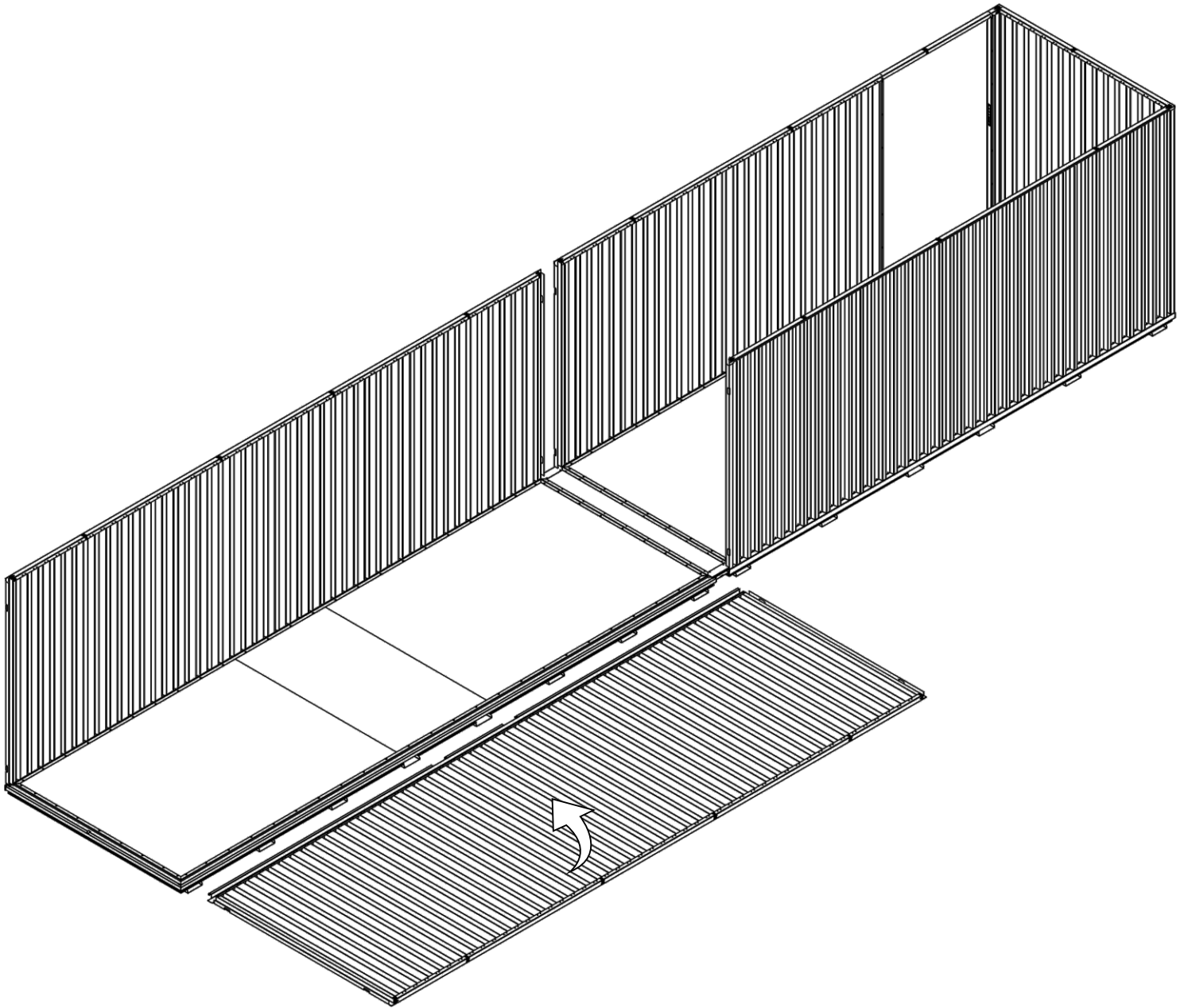
3.2.



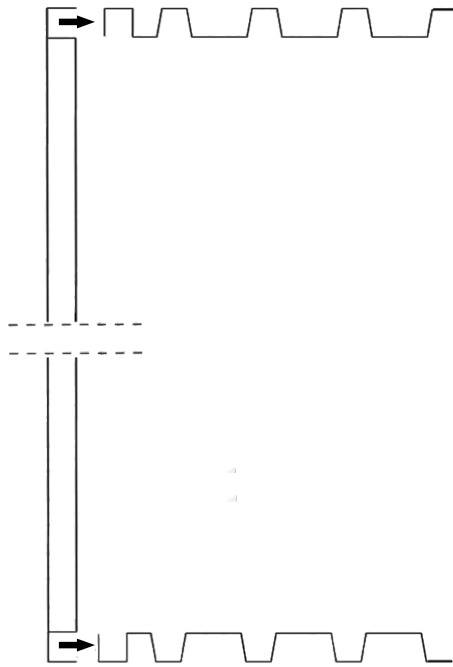
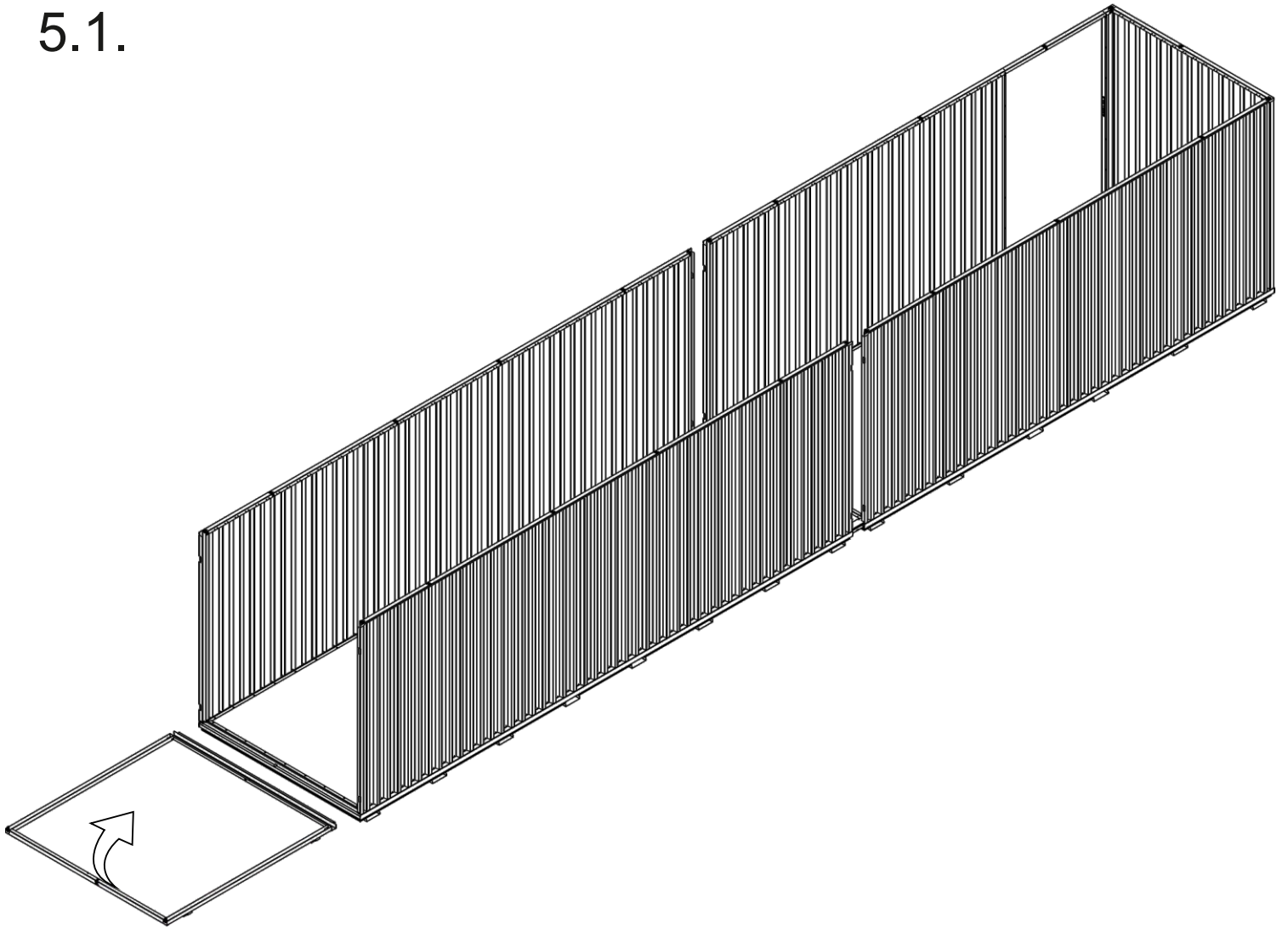
3.3.



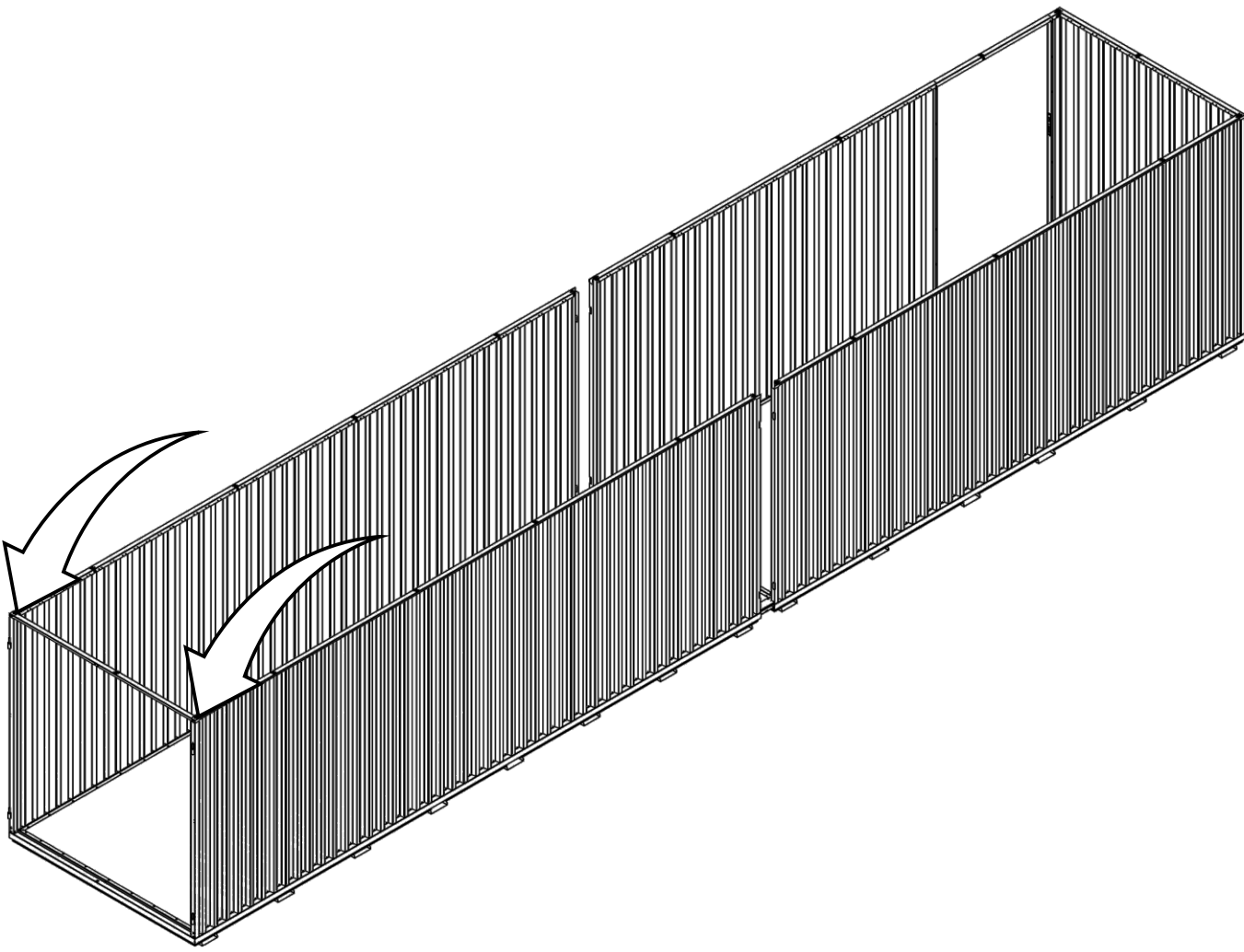
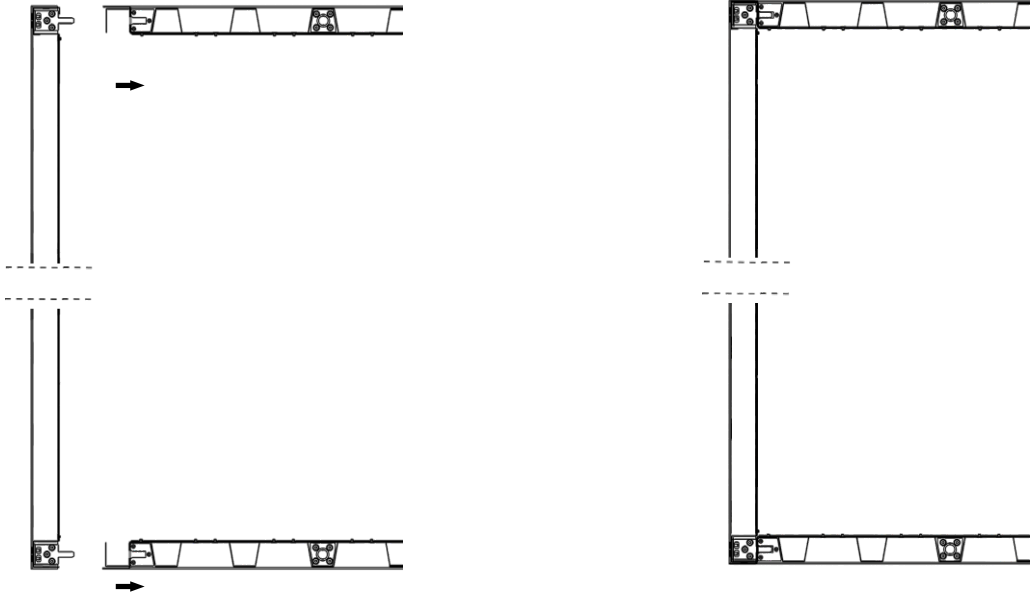
4.1.



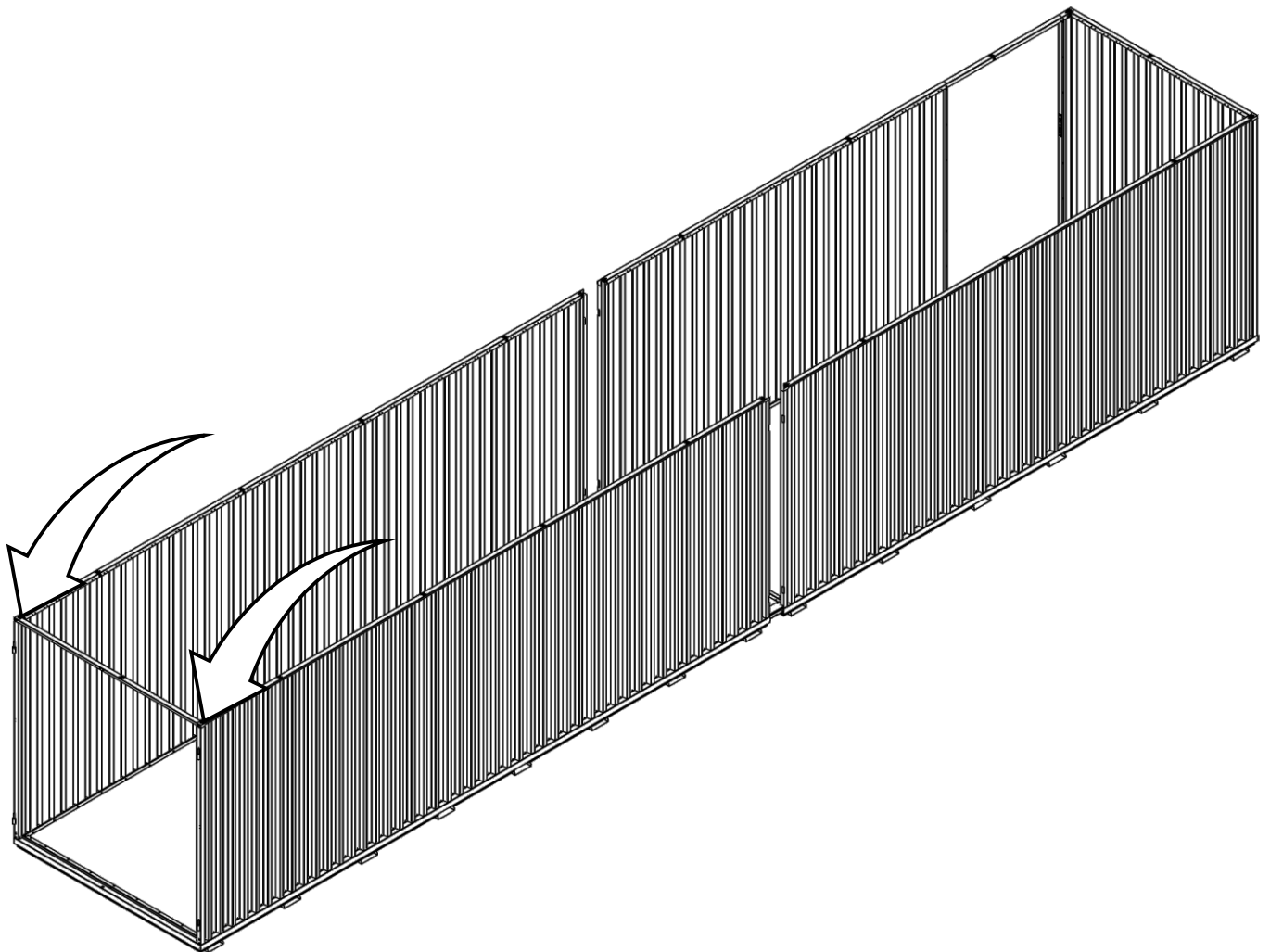
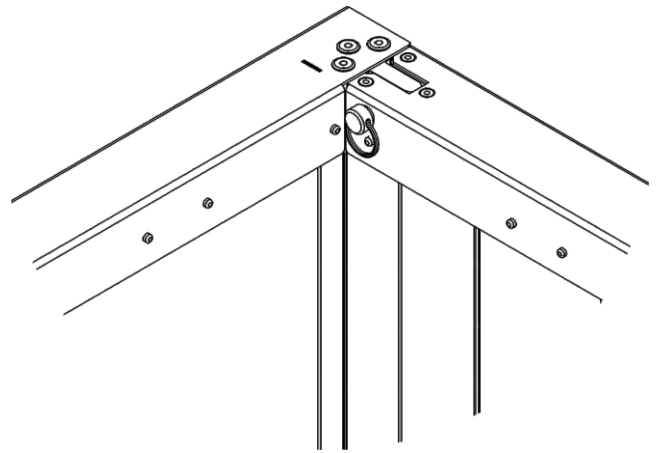
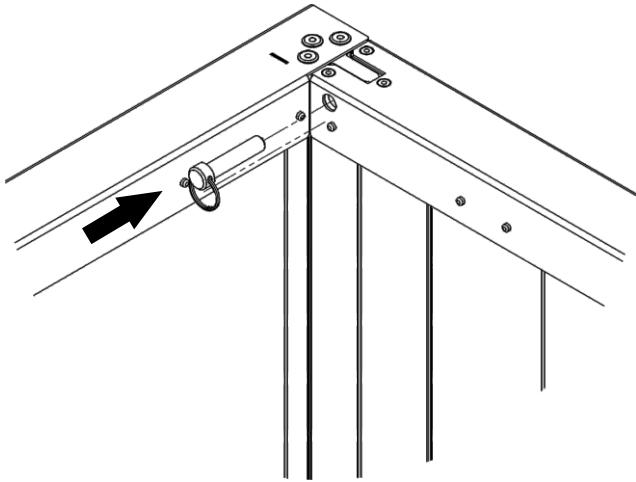
5.1.



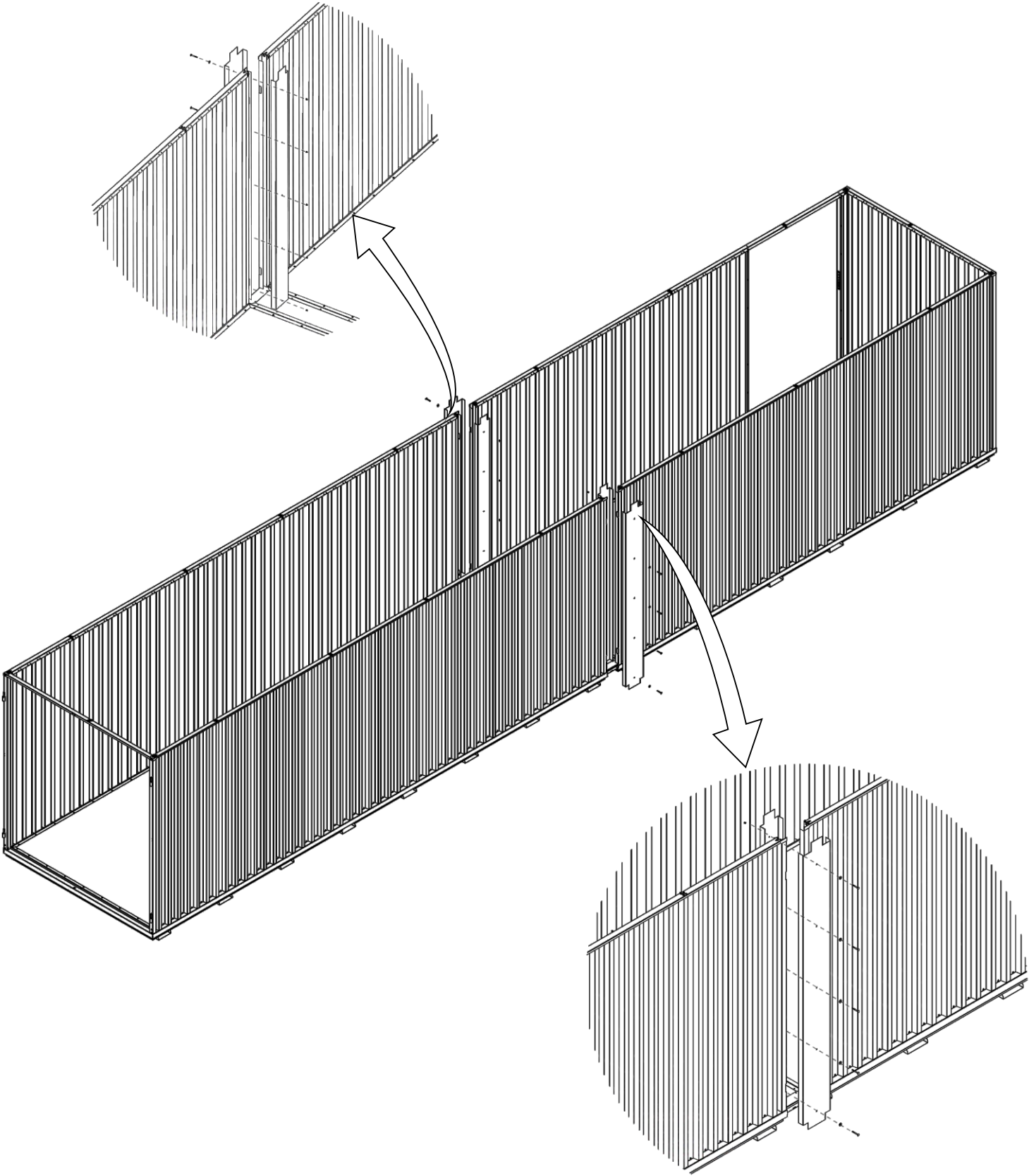
5.2.



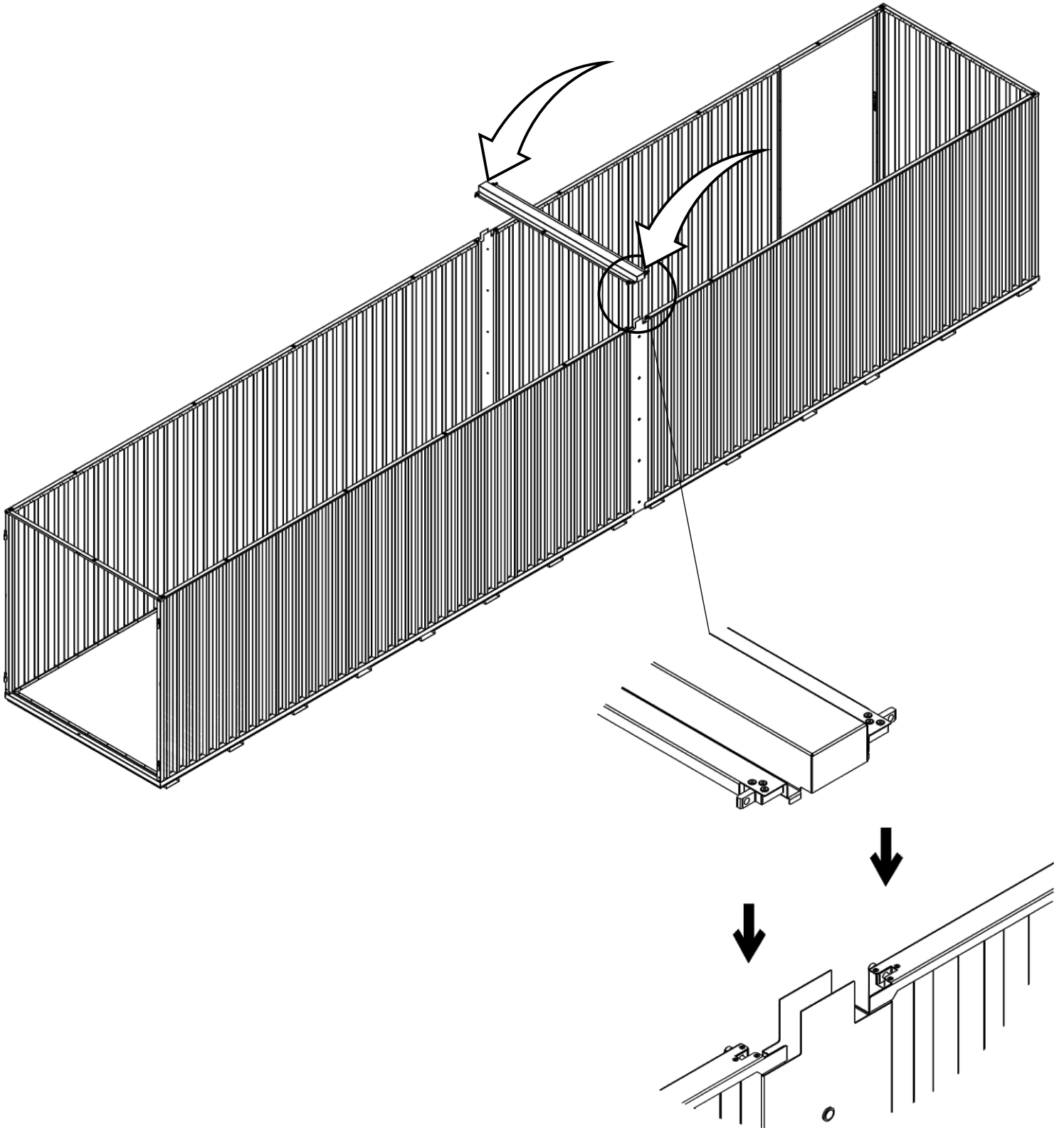
5.3.



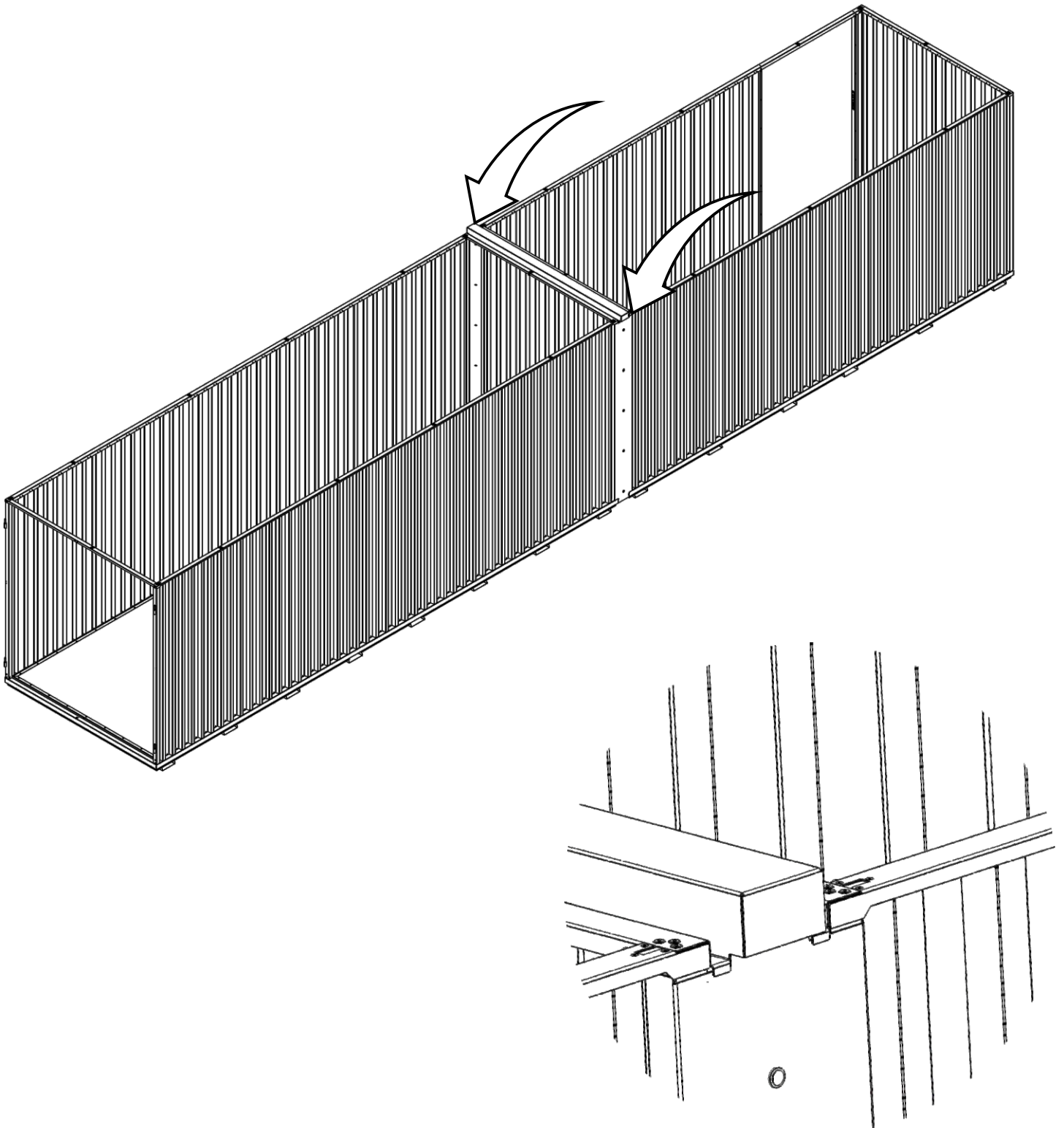
6.1.



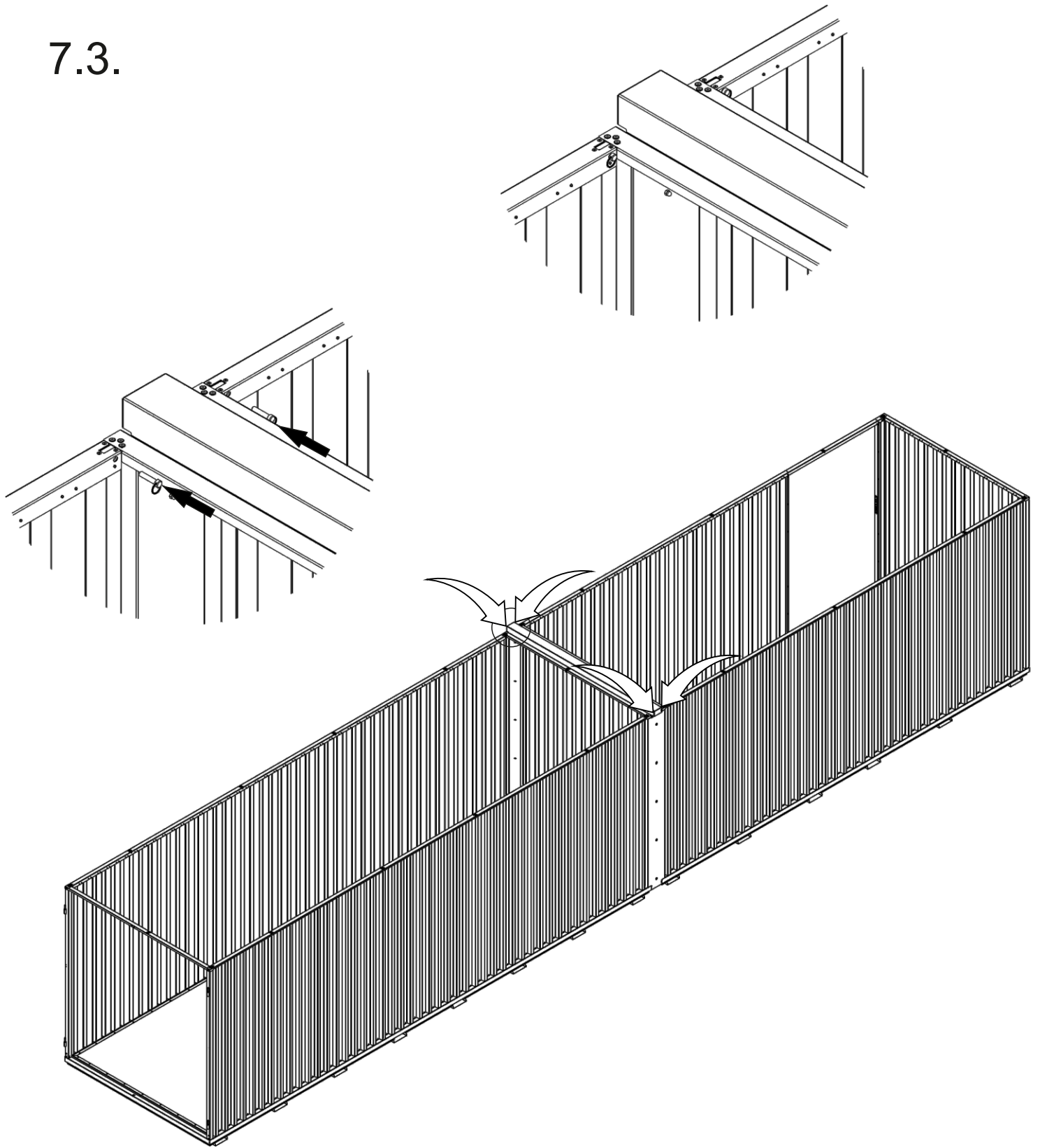
7.1.



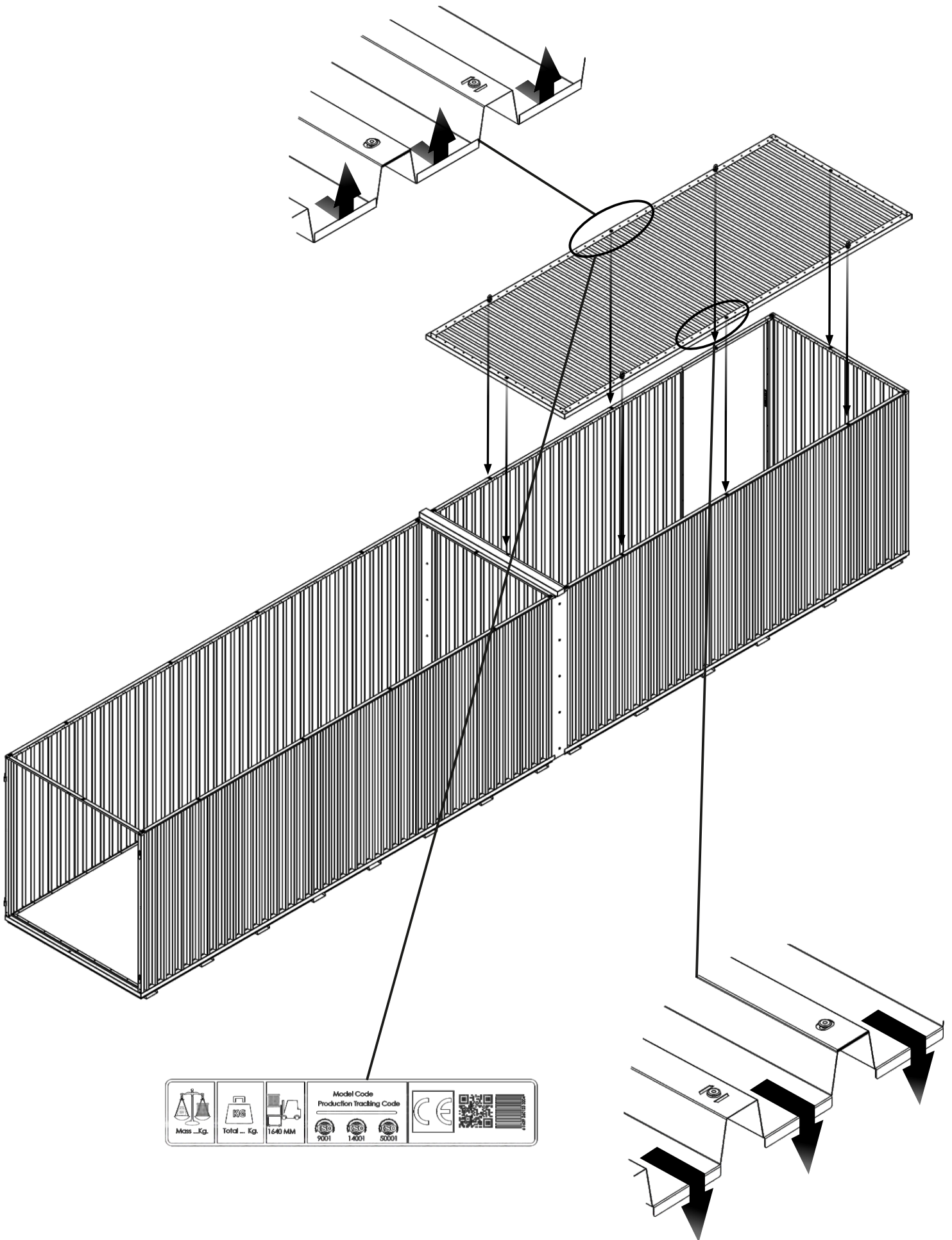
7.2.



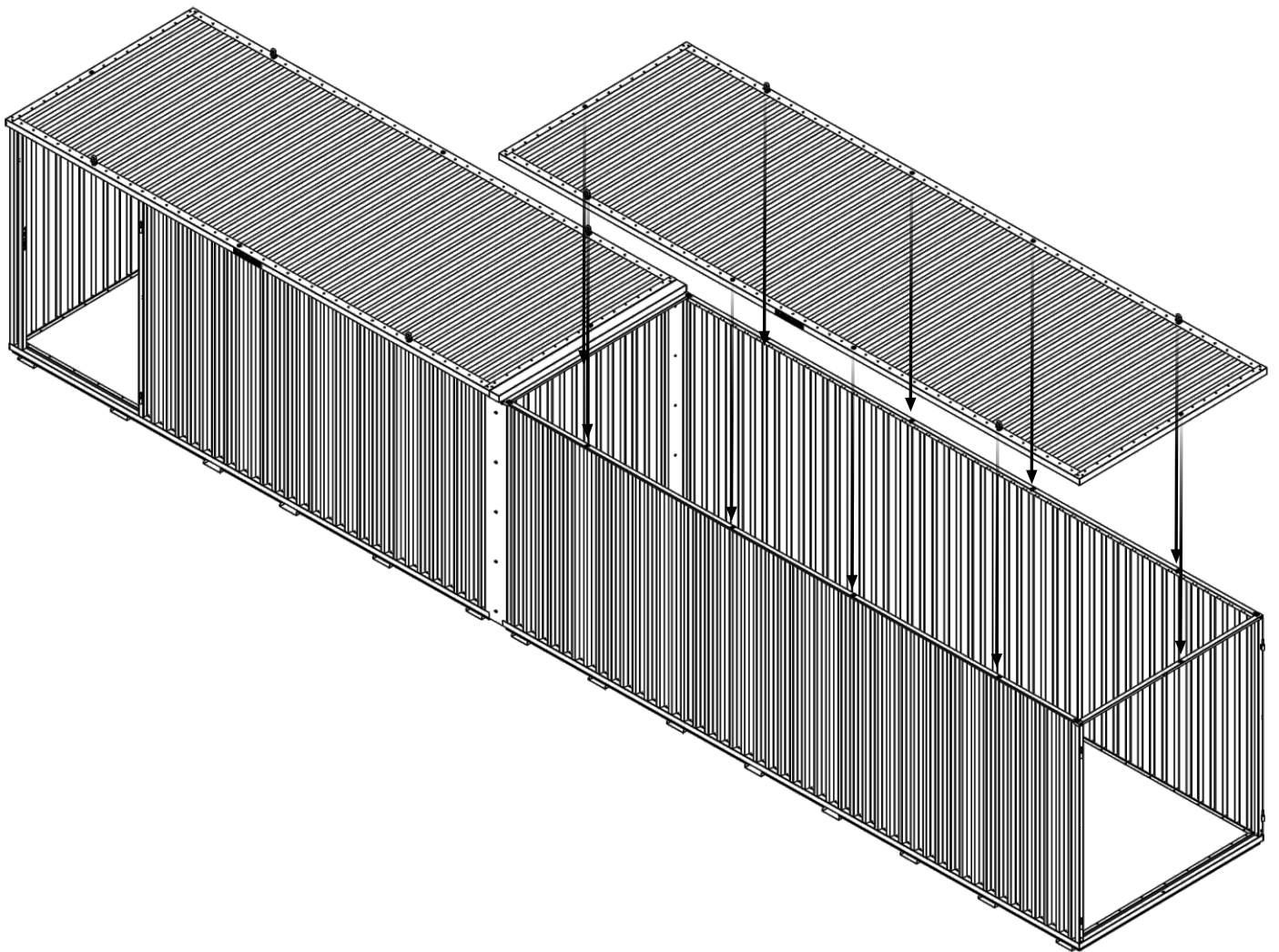
7.3.

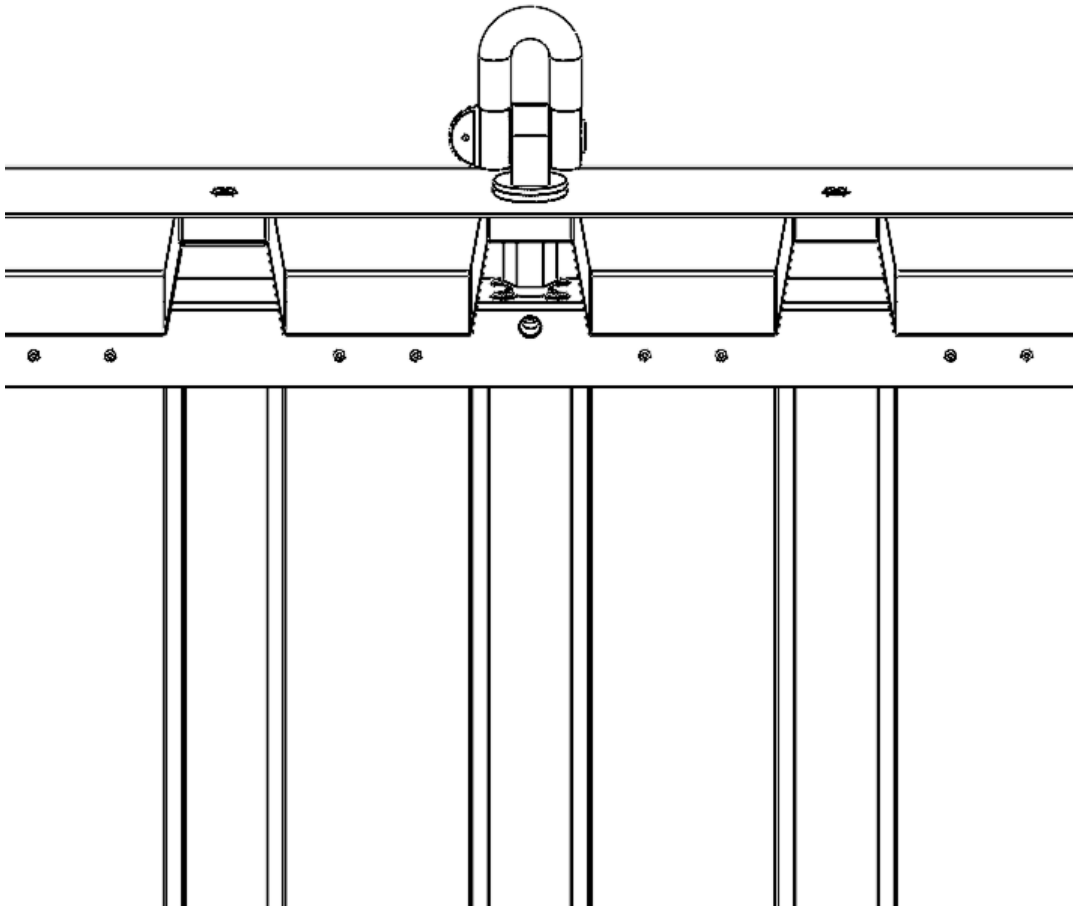
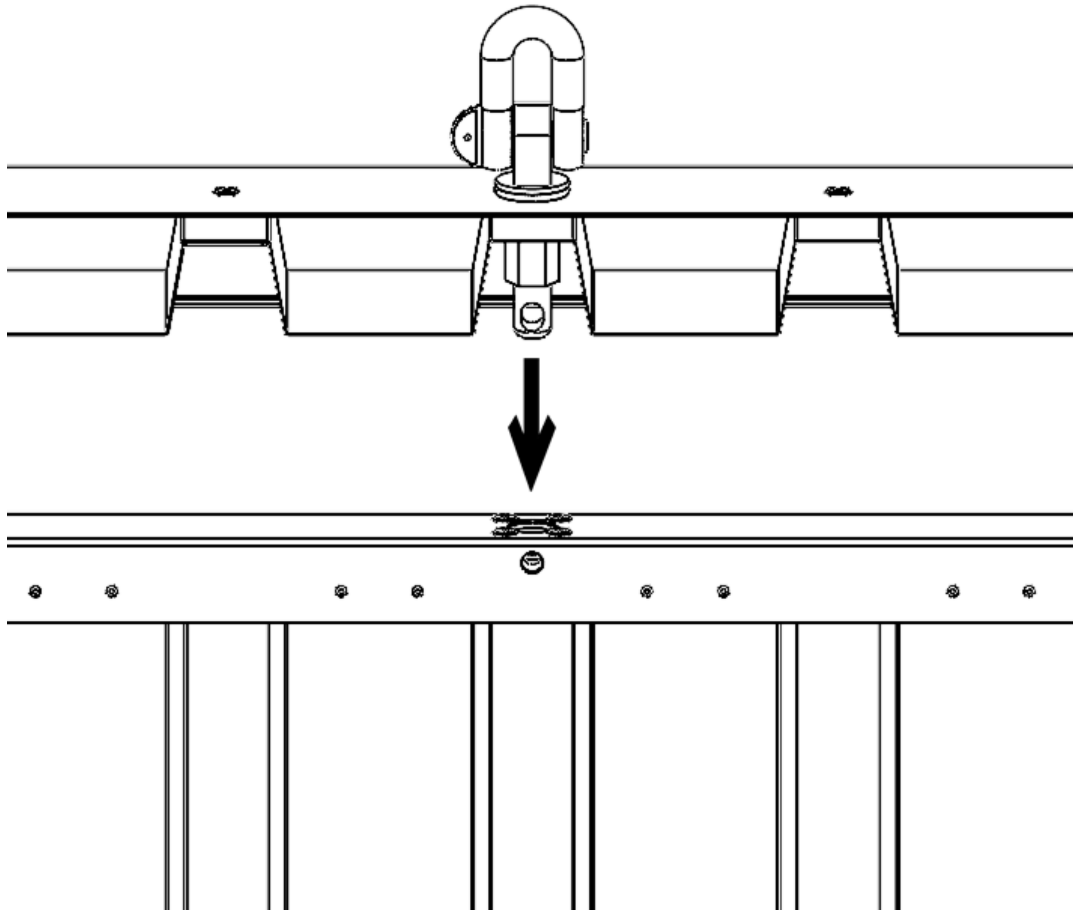


8.1.

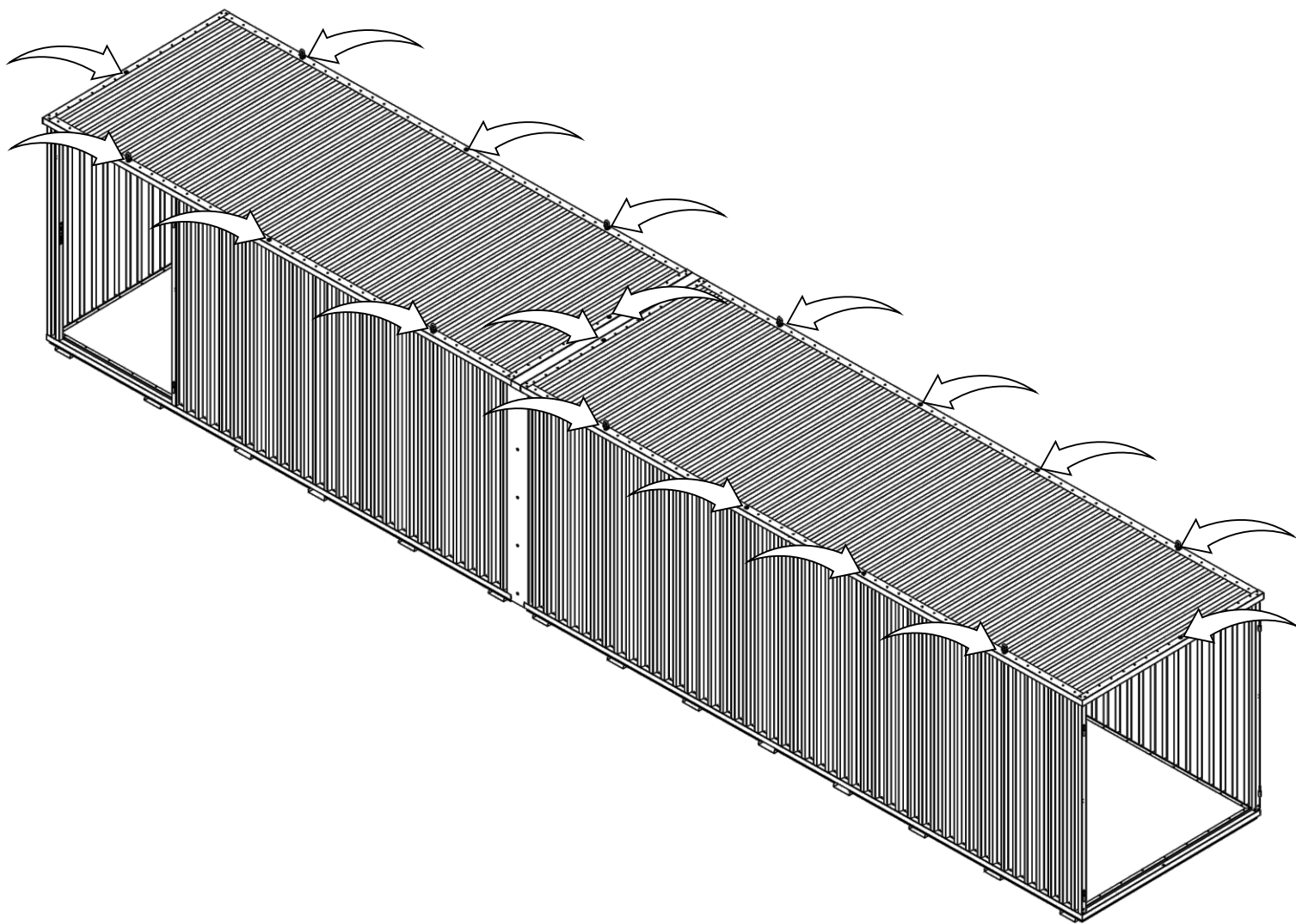


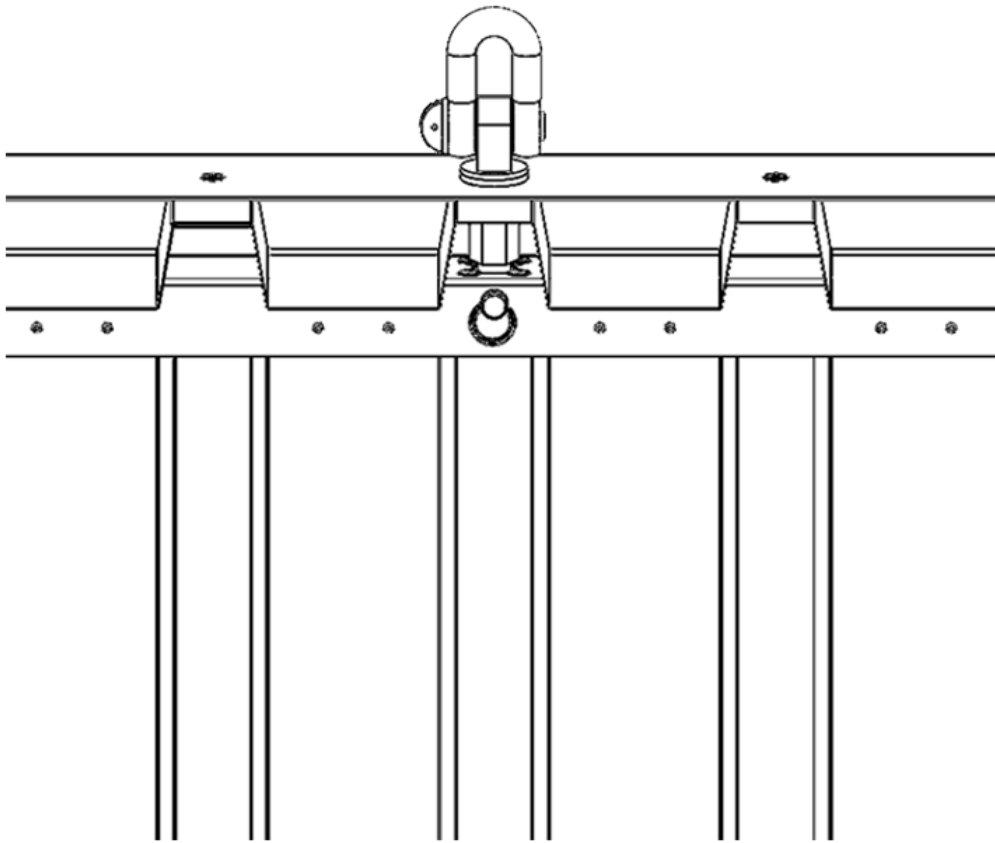
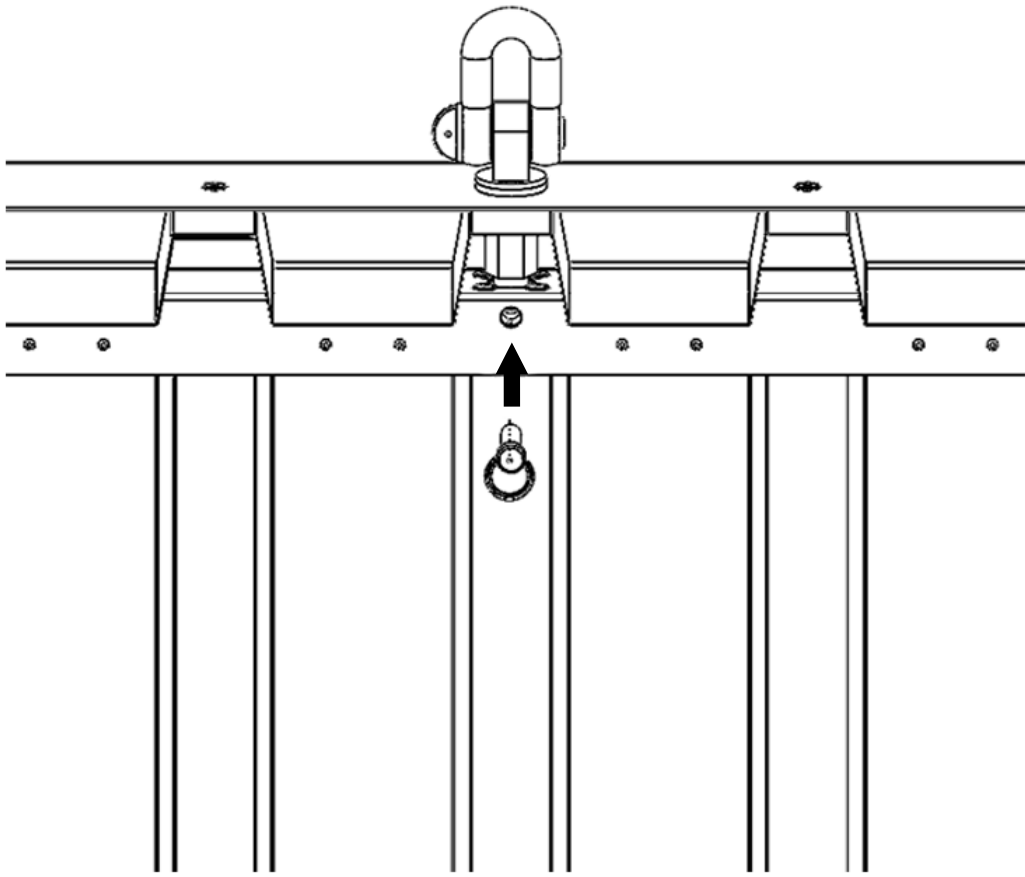
8.2.



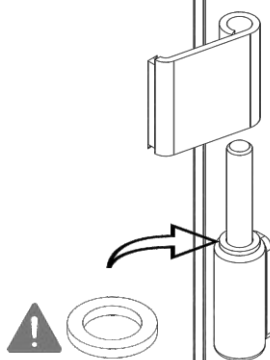
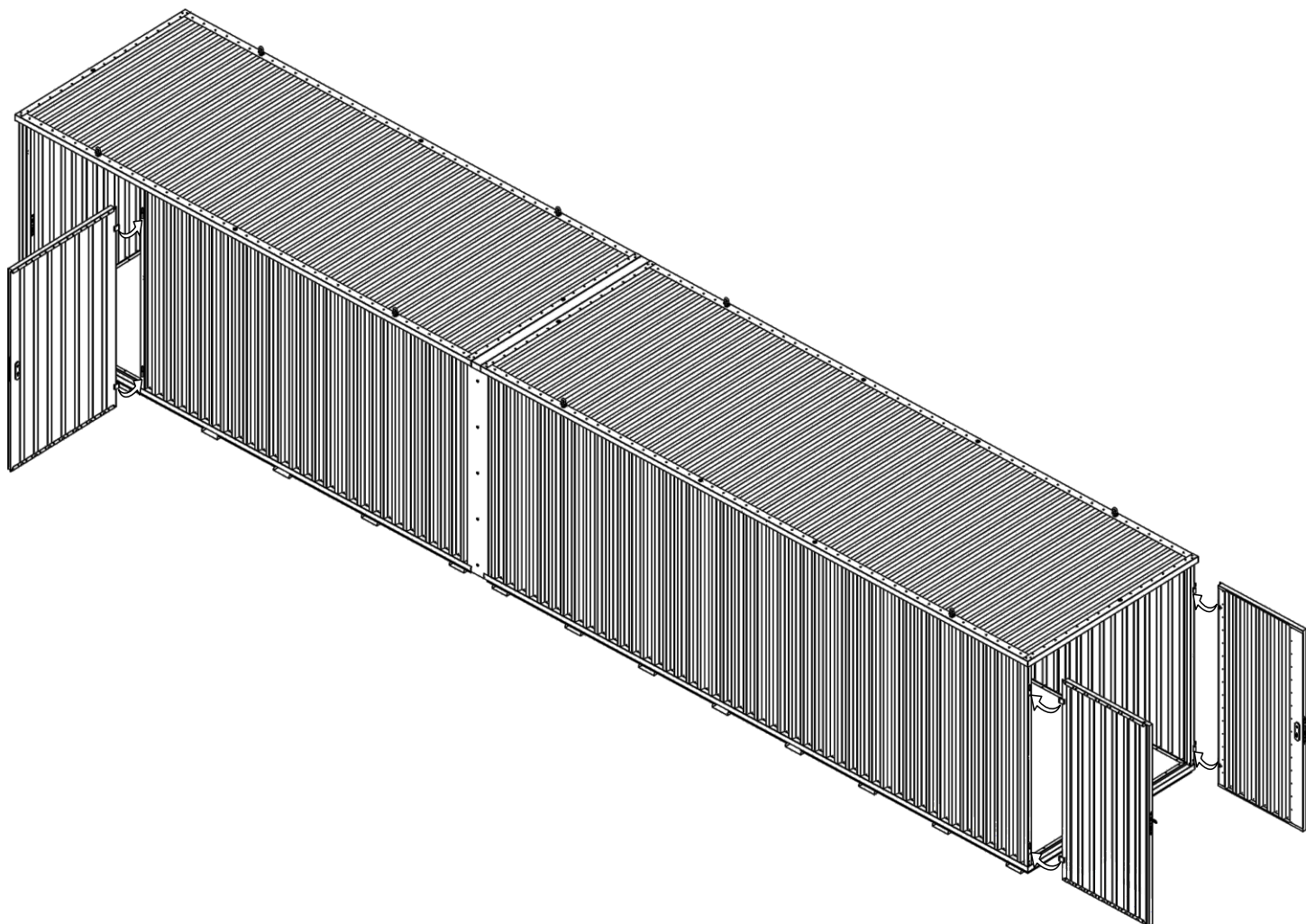


8.3.

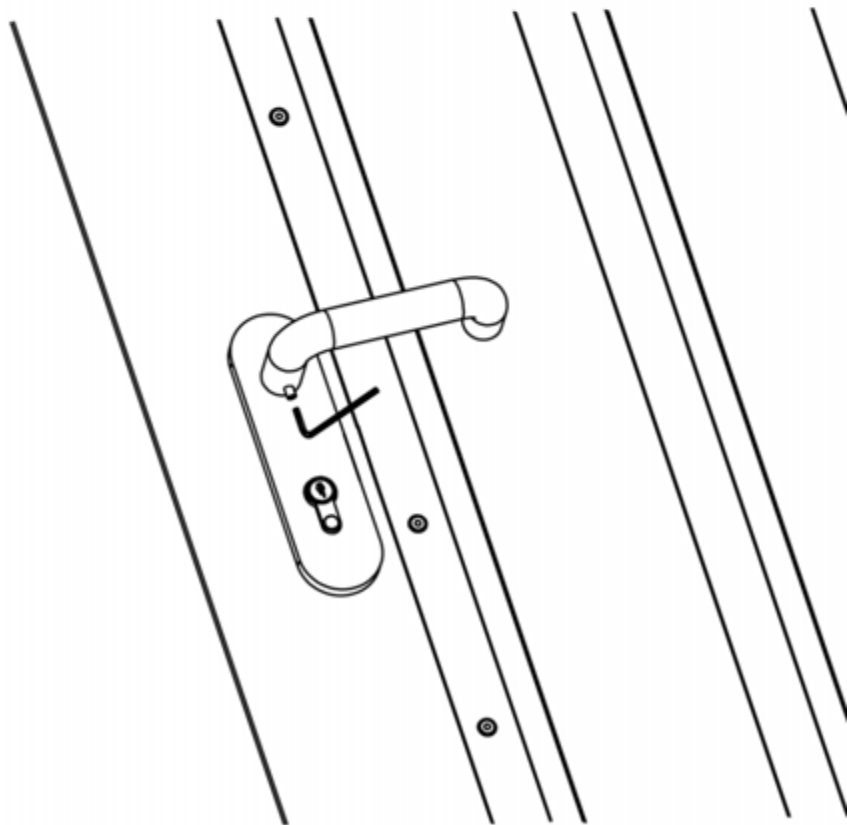
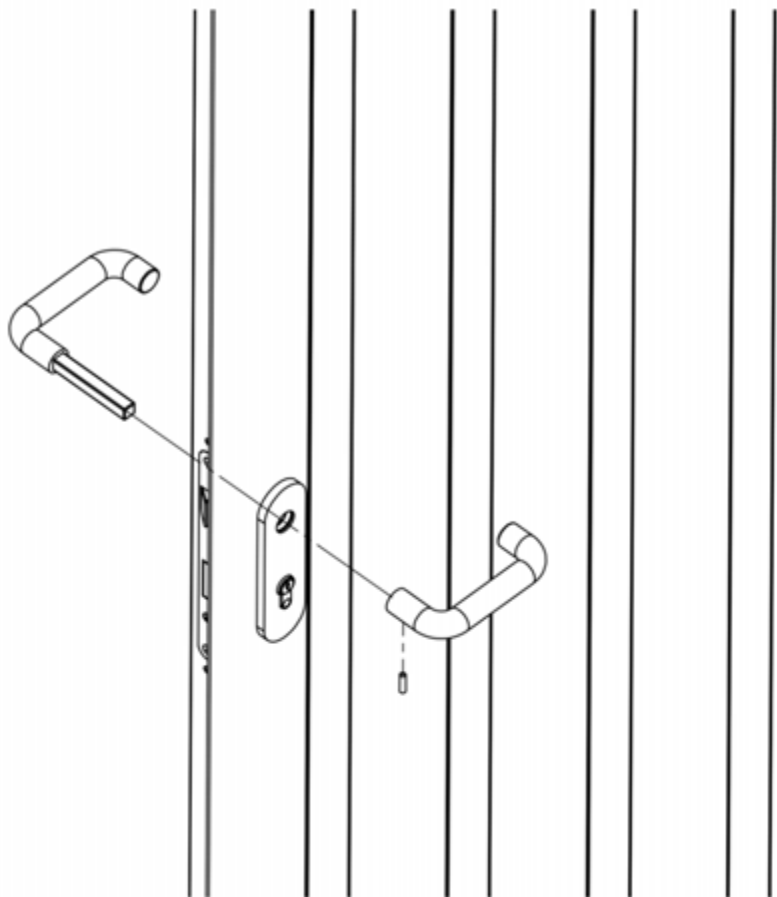




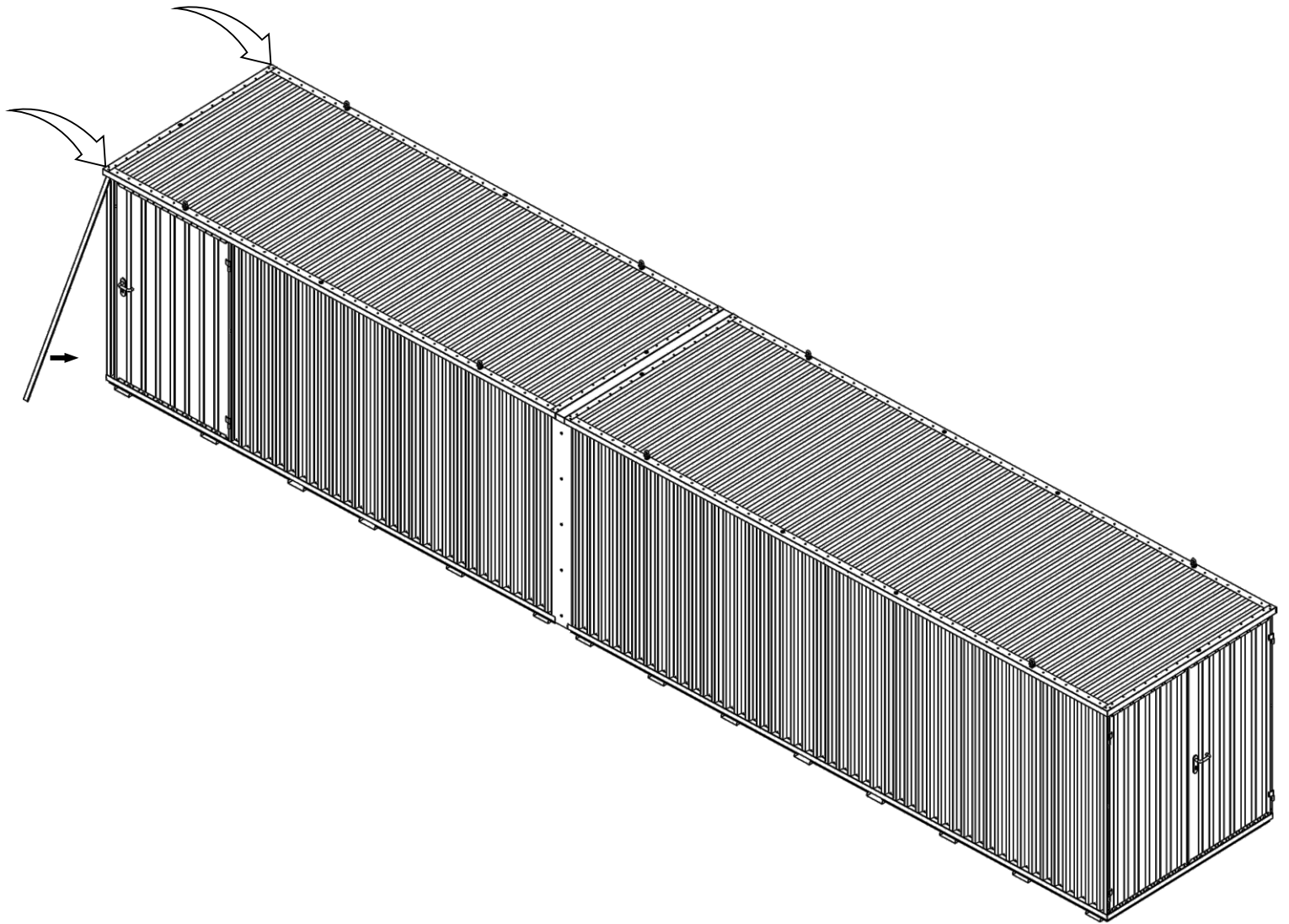
9.1.



9.2.



10.1.



11.1.

