
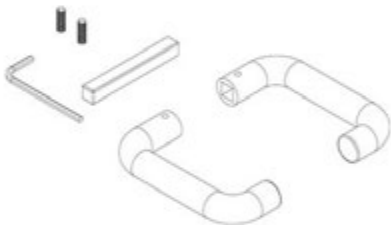

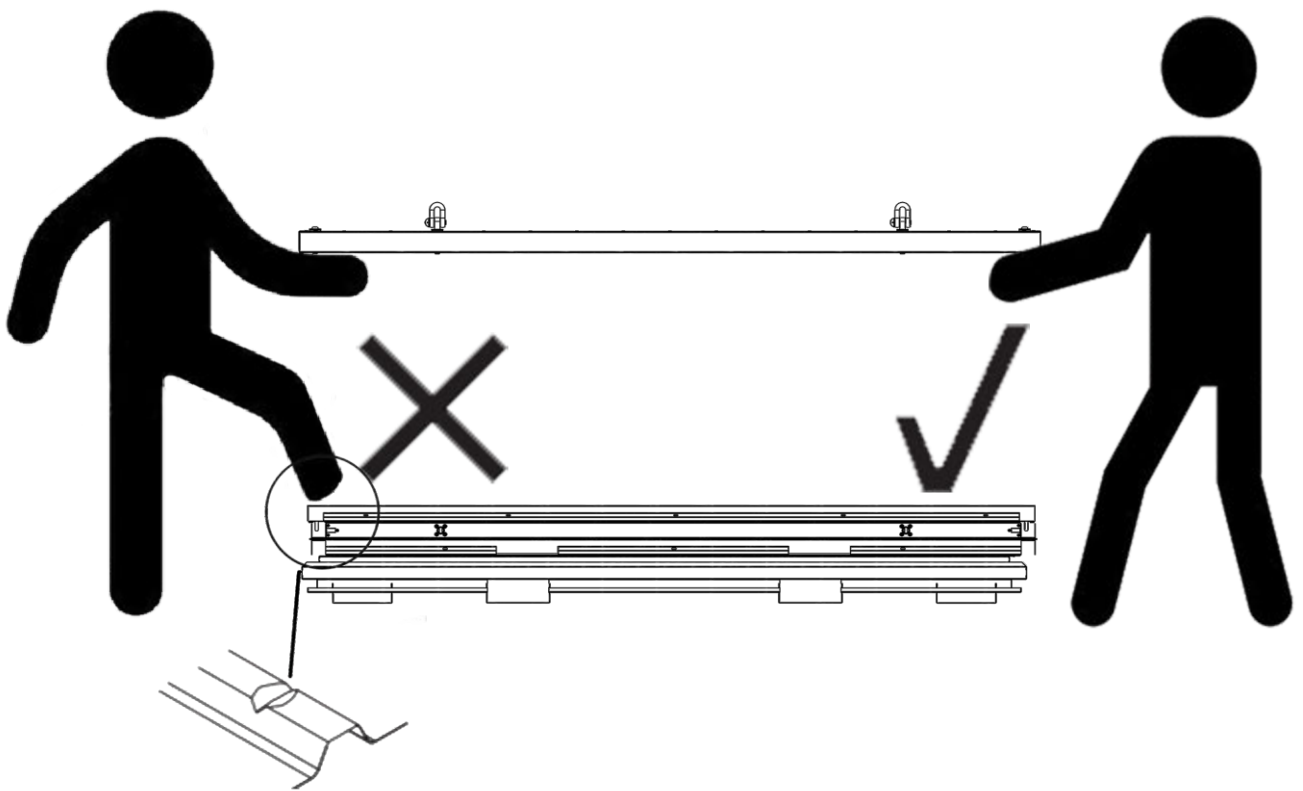
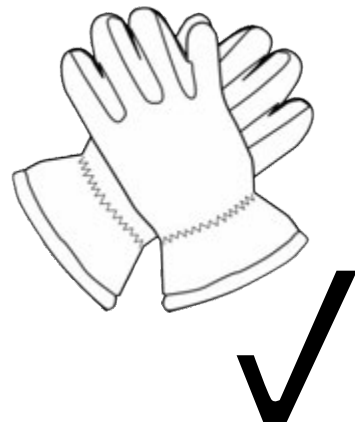
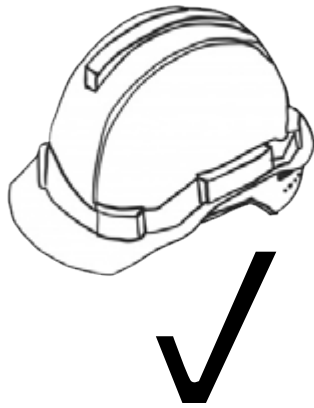


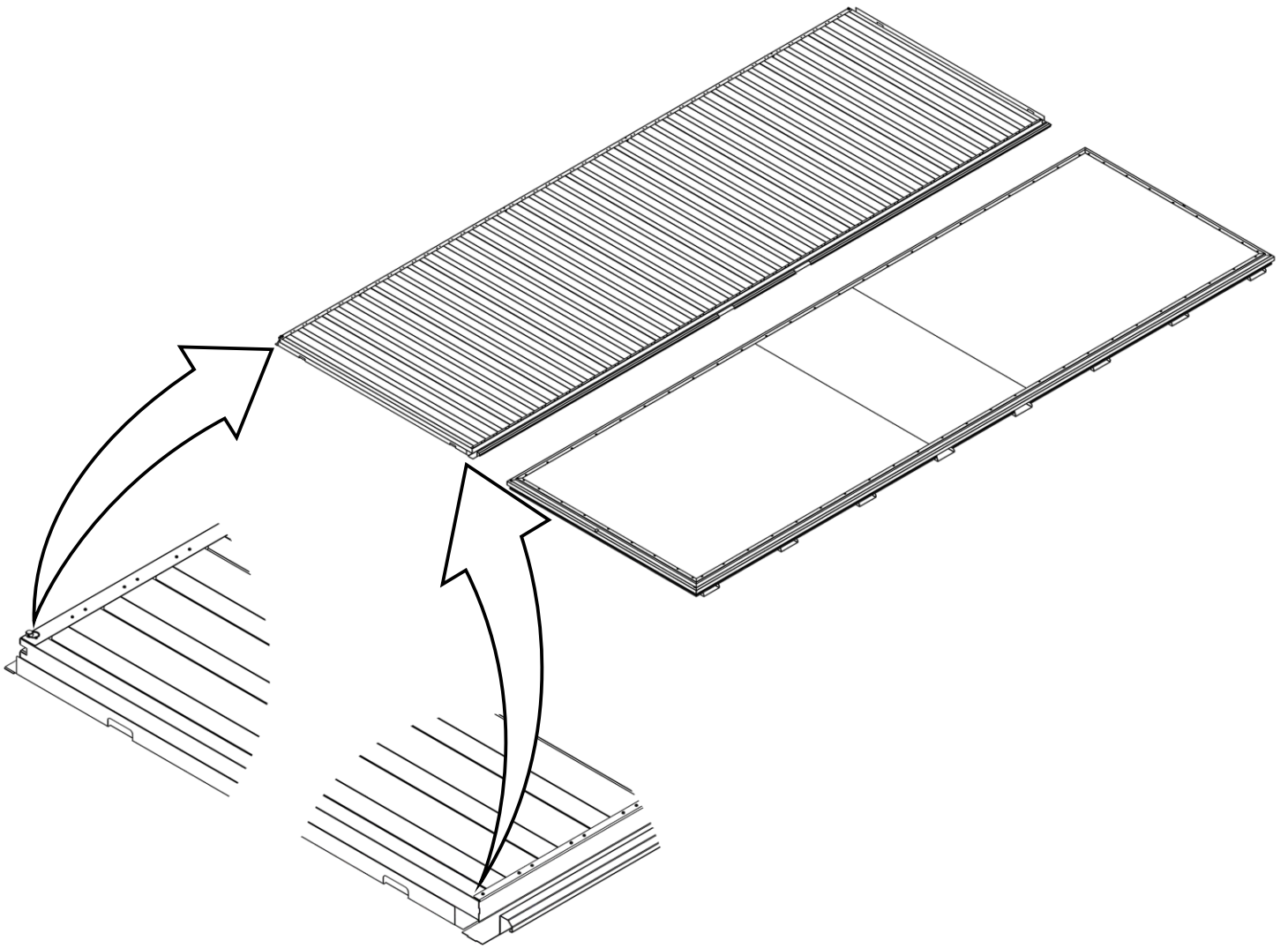
PRODUCT CODE : 60.110.330.331

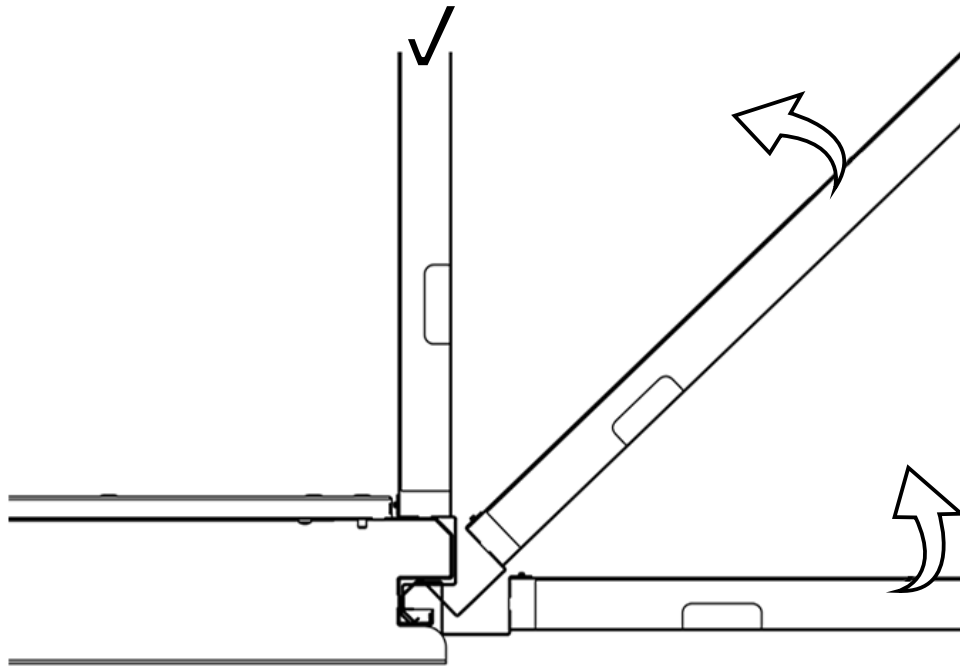


	14 pcs.
	2 pcs.
	2 pcs.

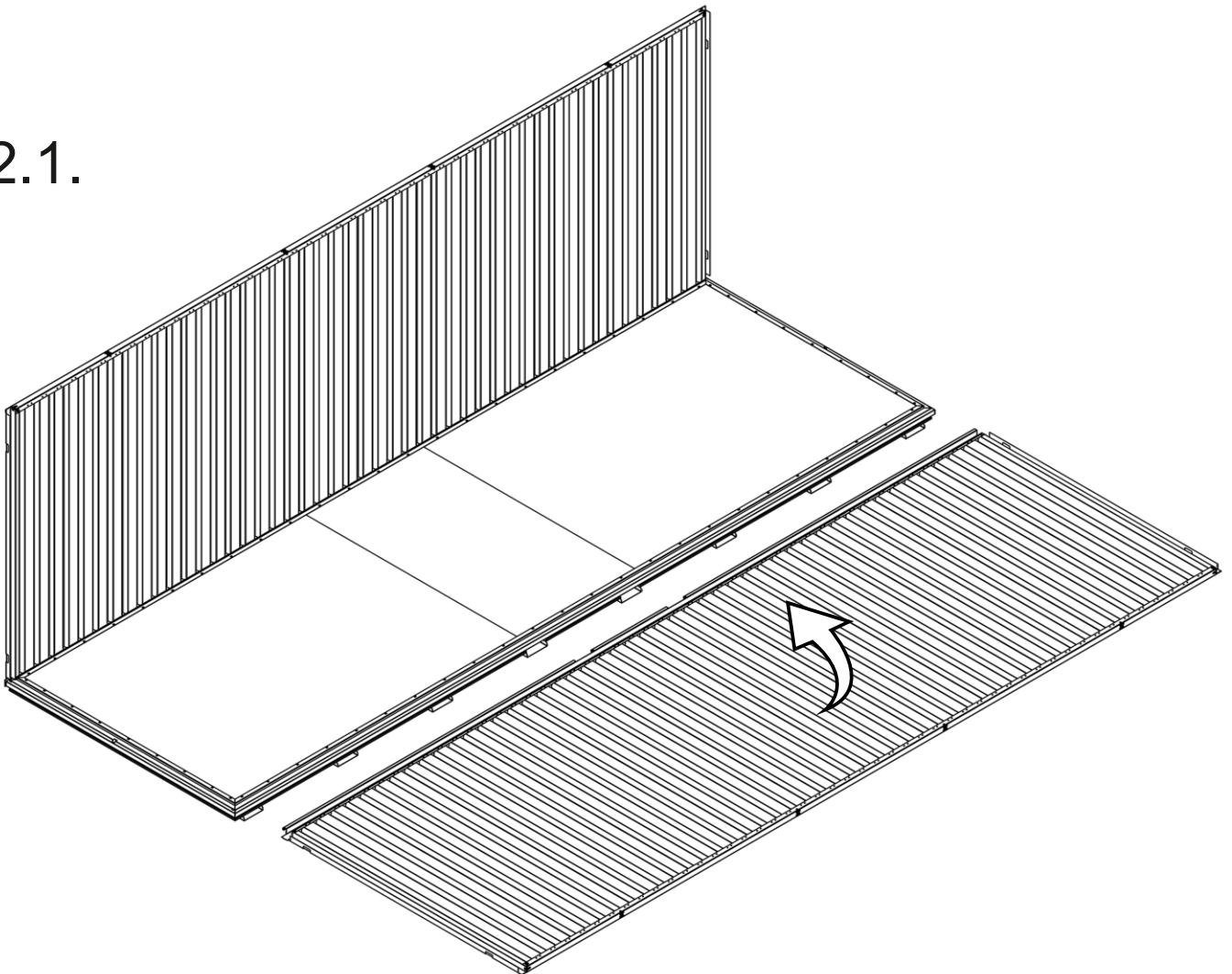


1.1.

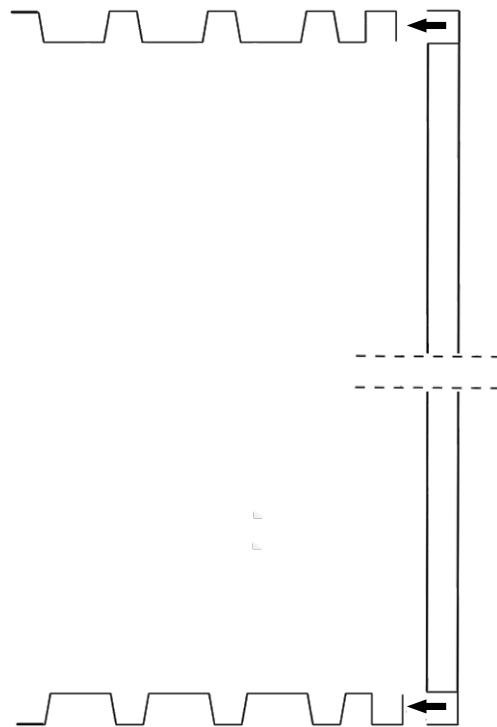
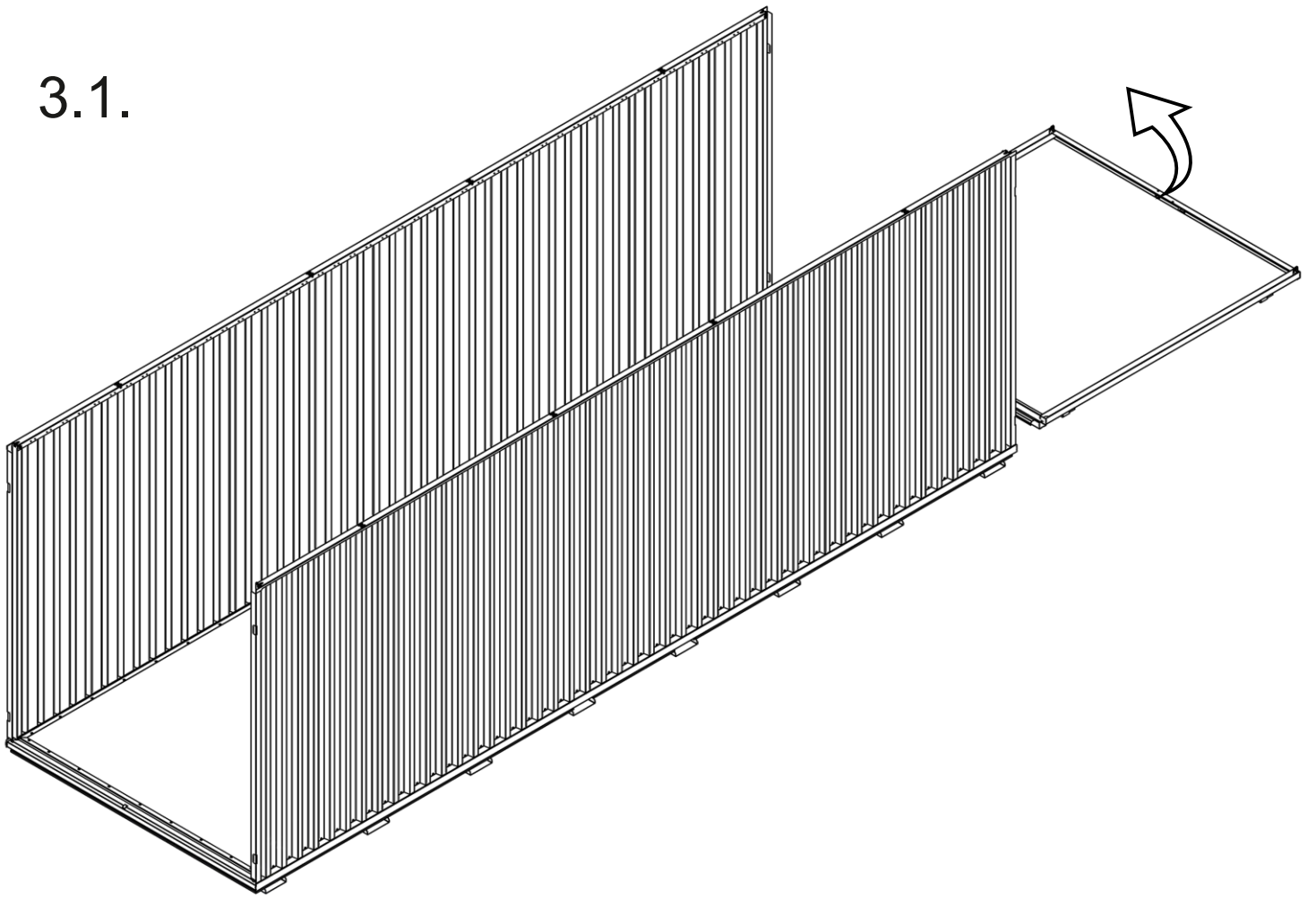




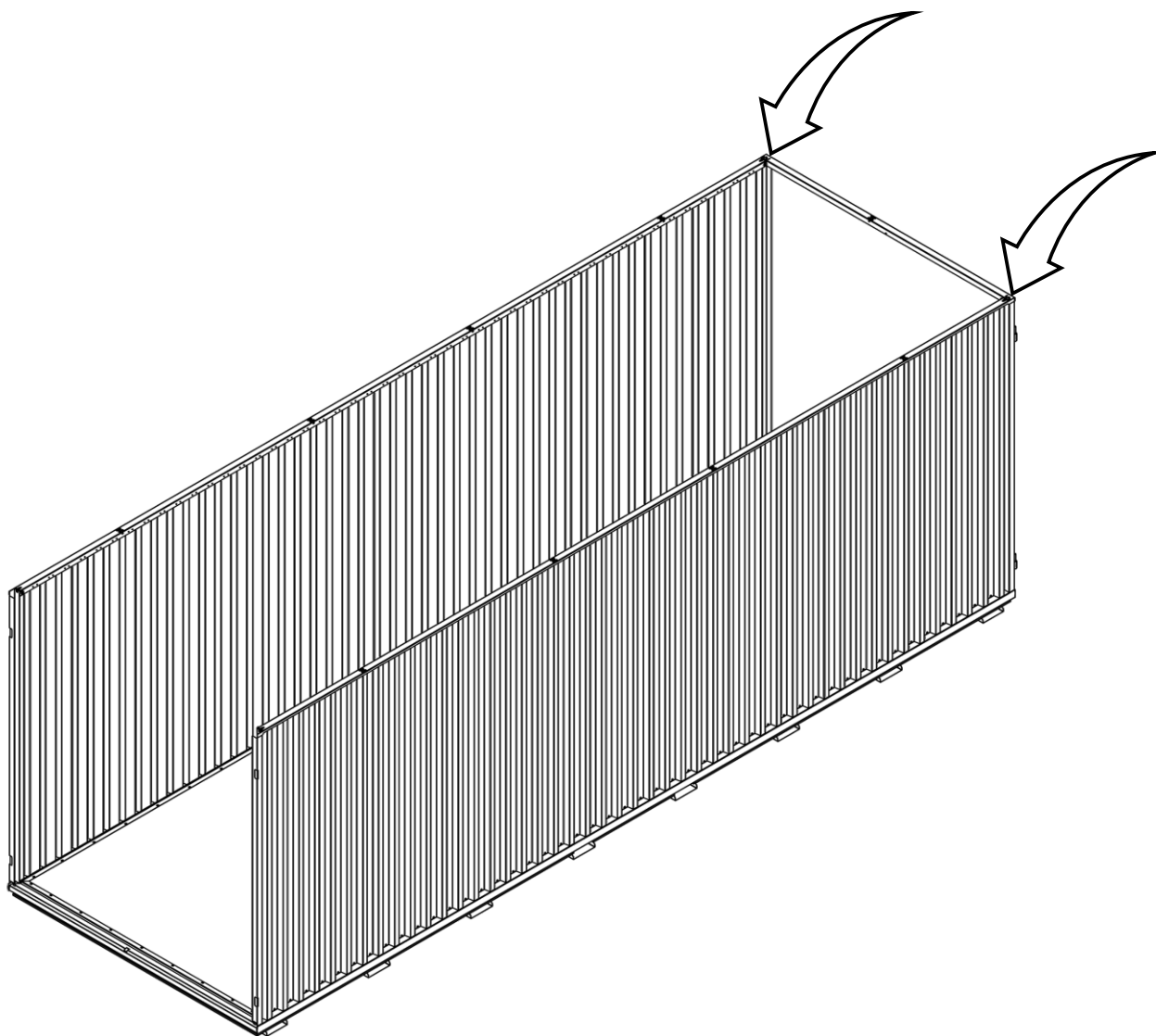
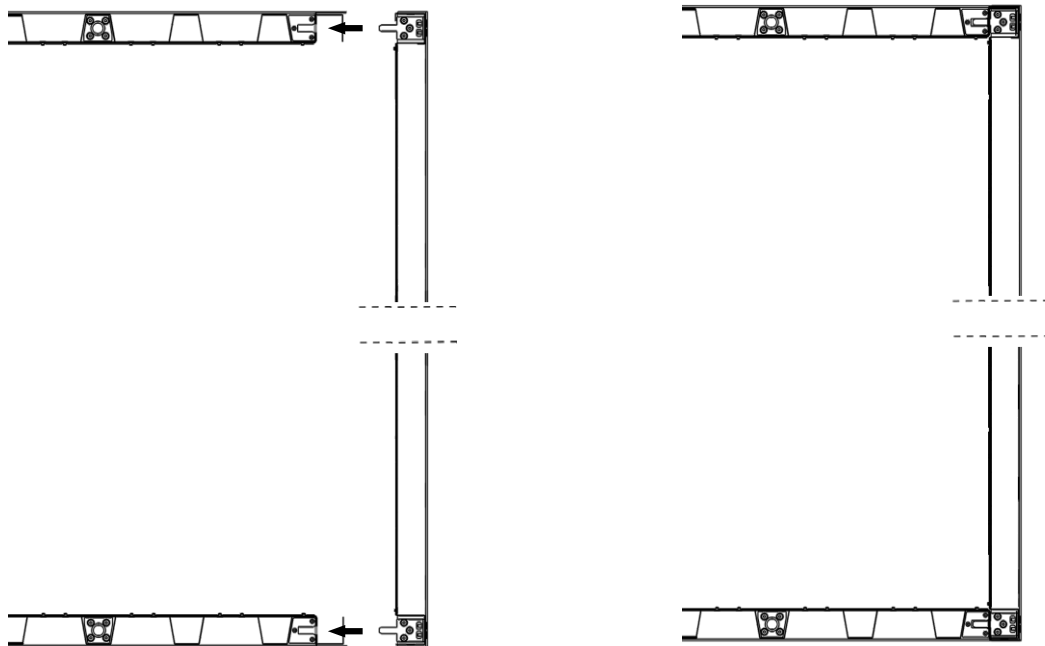
2.1.



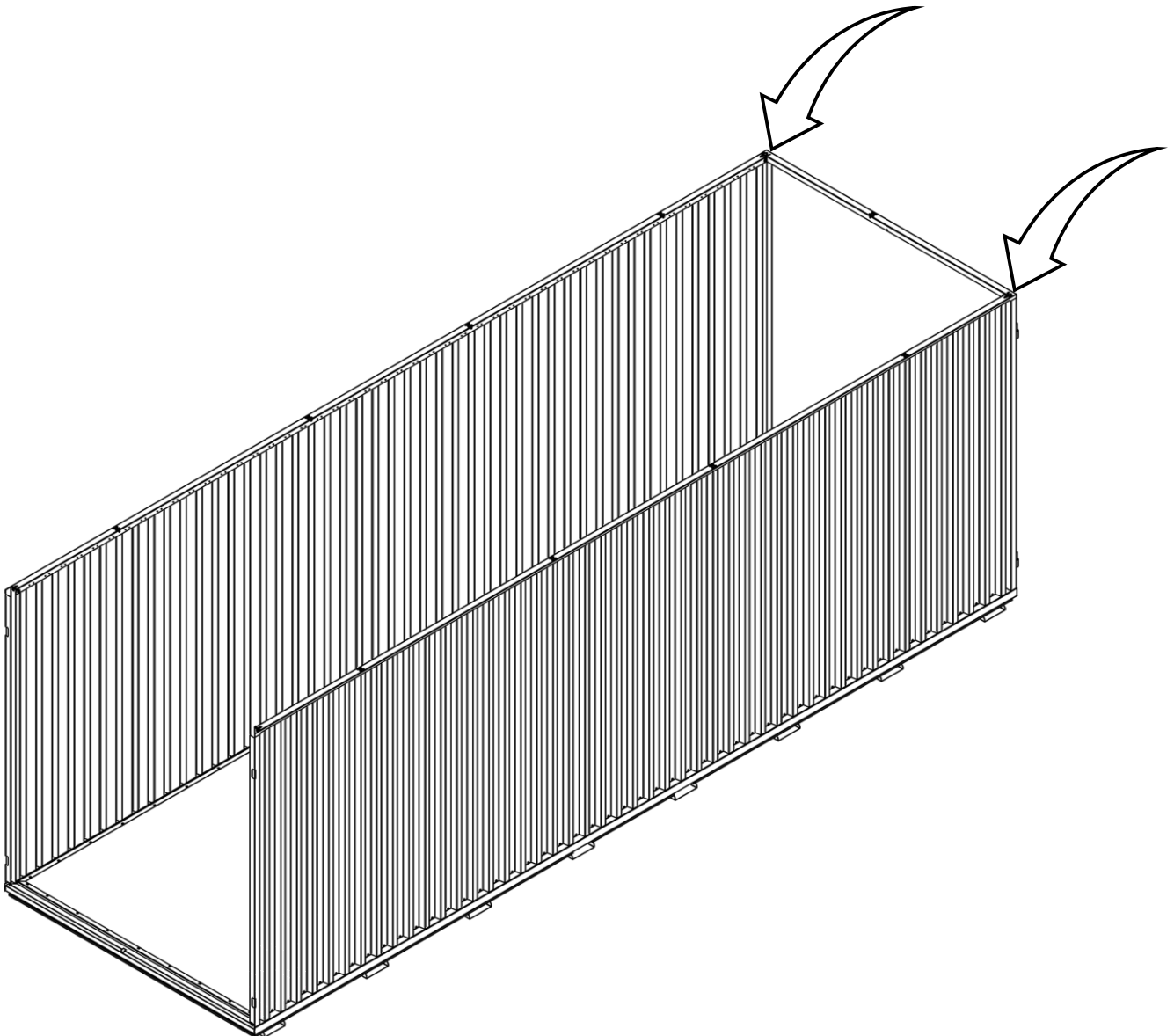
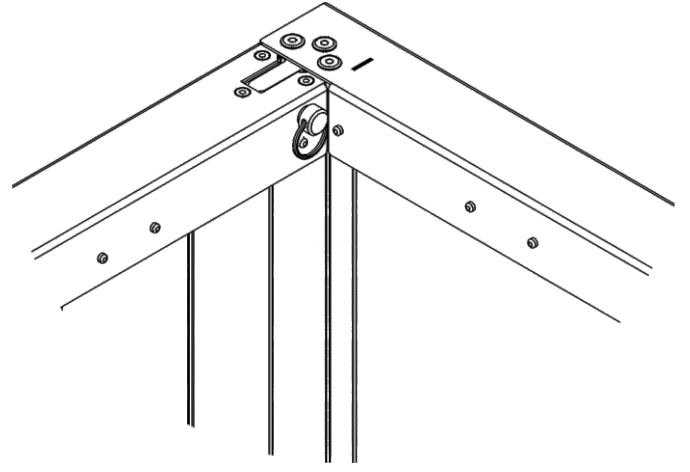
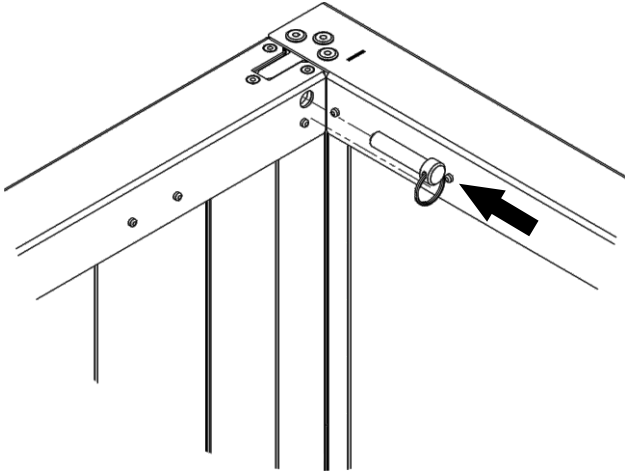
3.1.



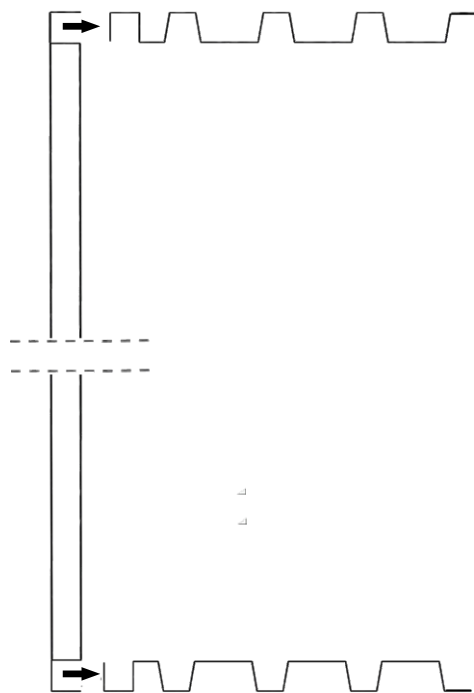
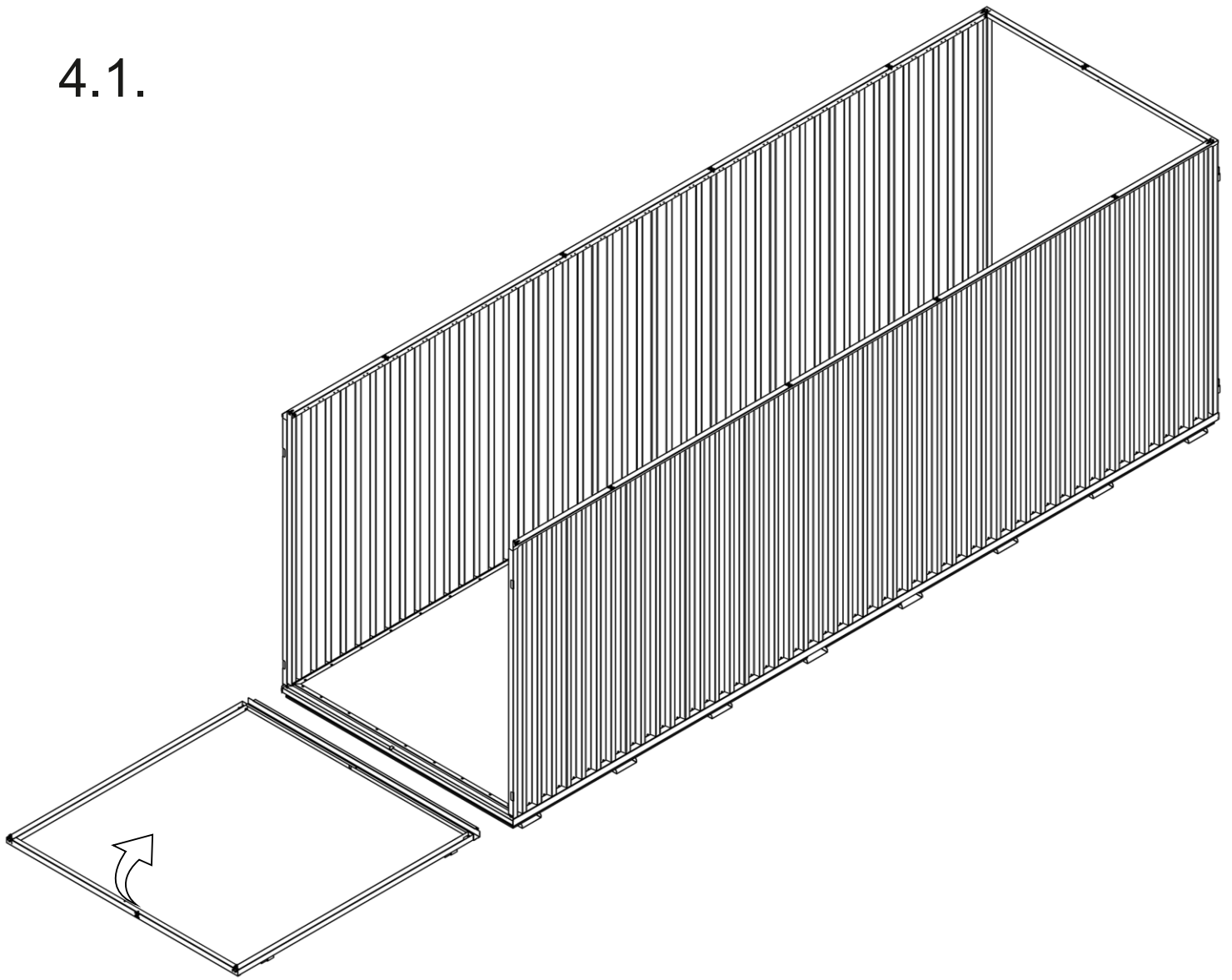
3.2.



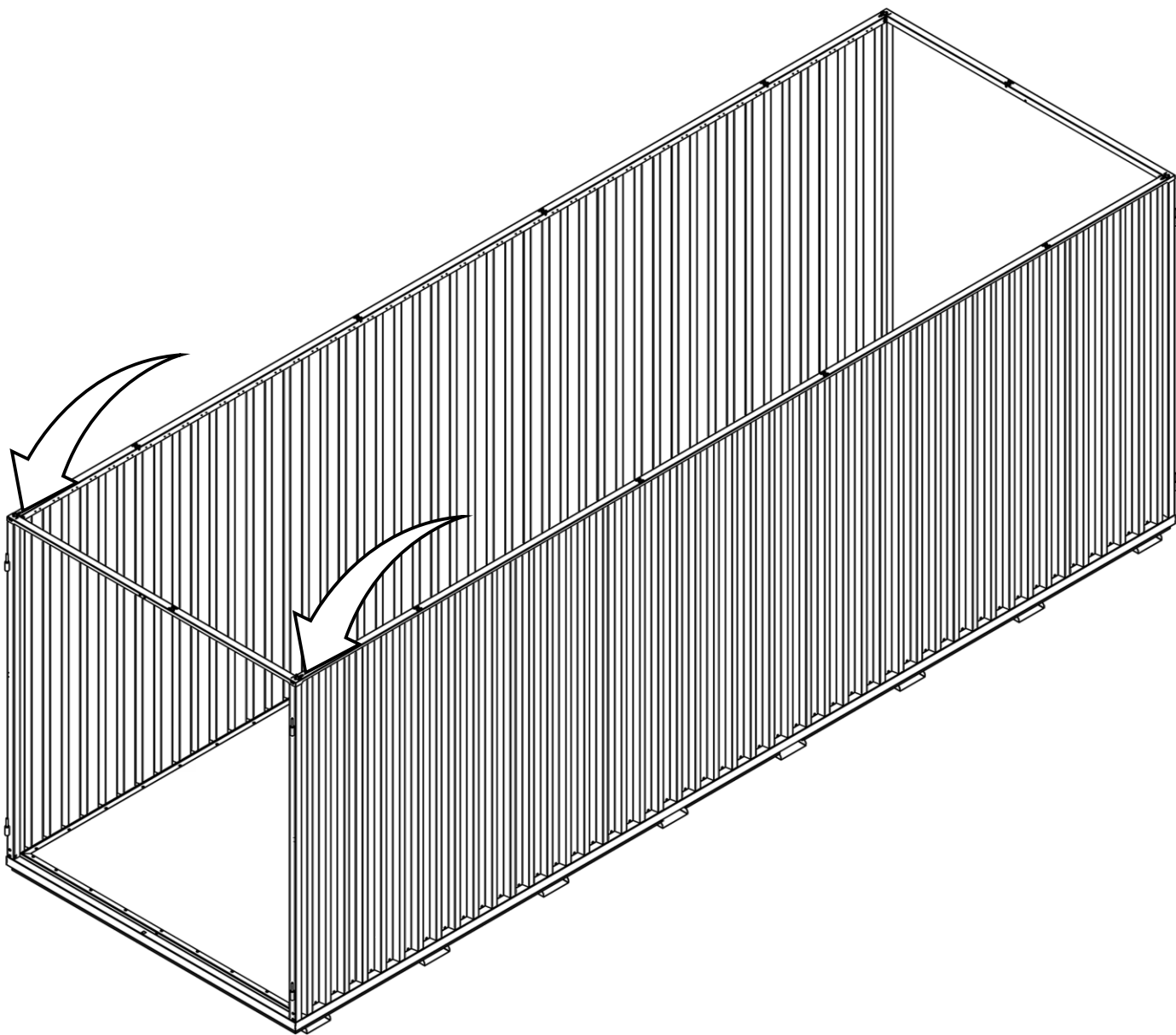
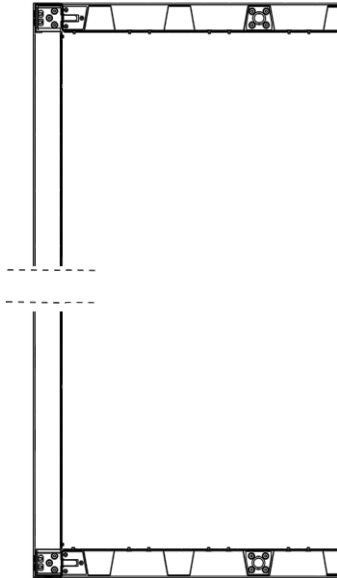
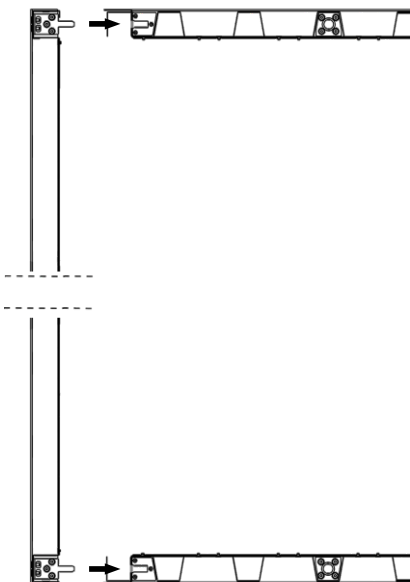
3.3.



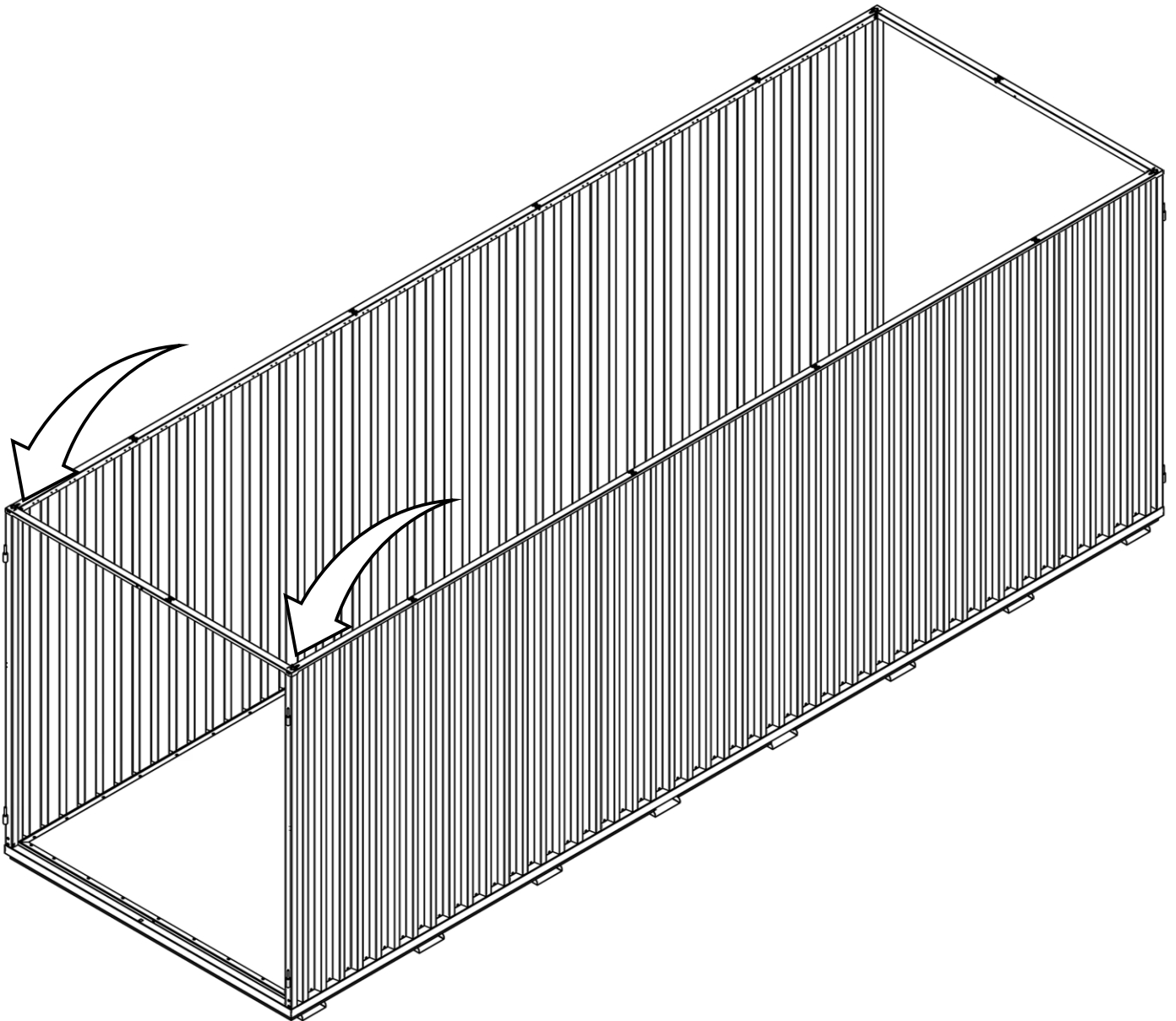
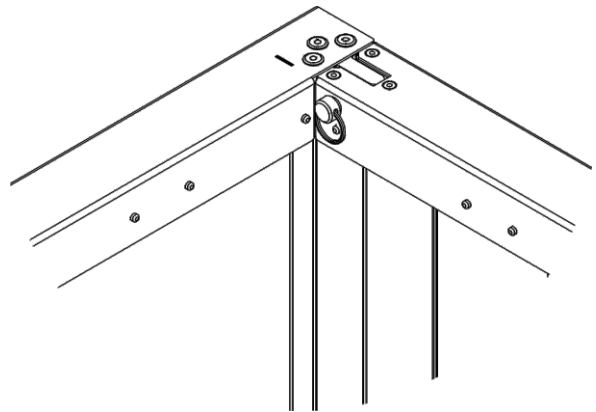
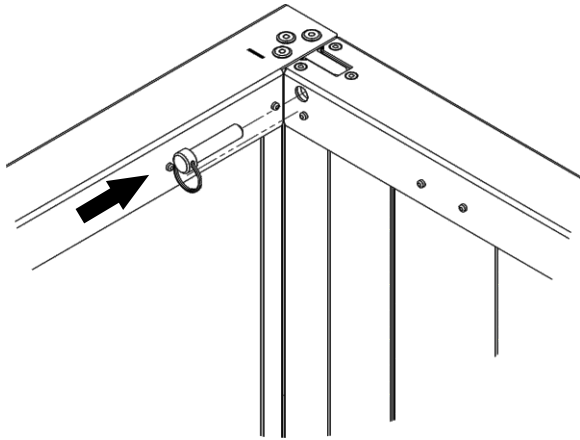
4.1.



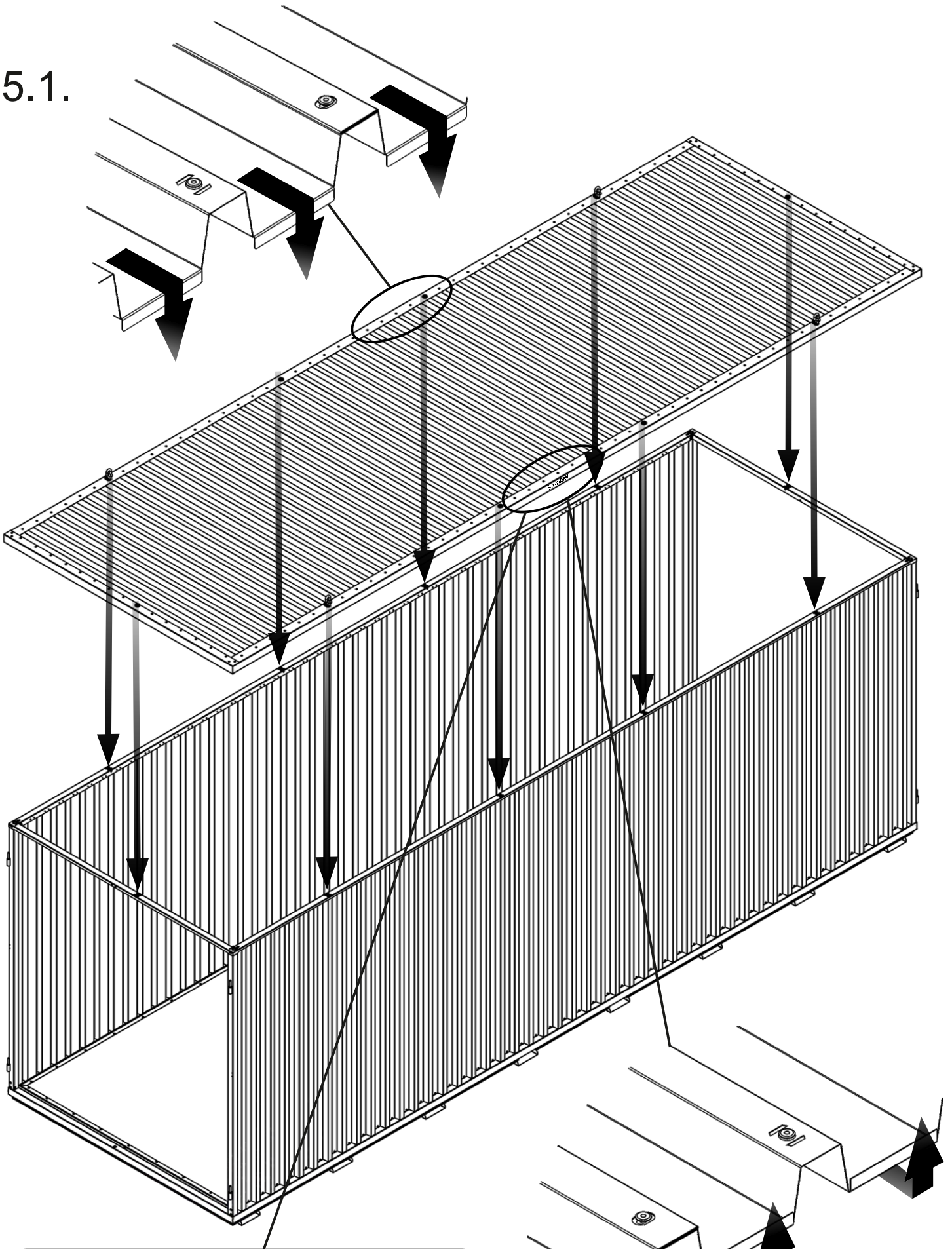
4.2.












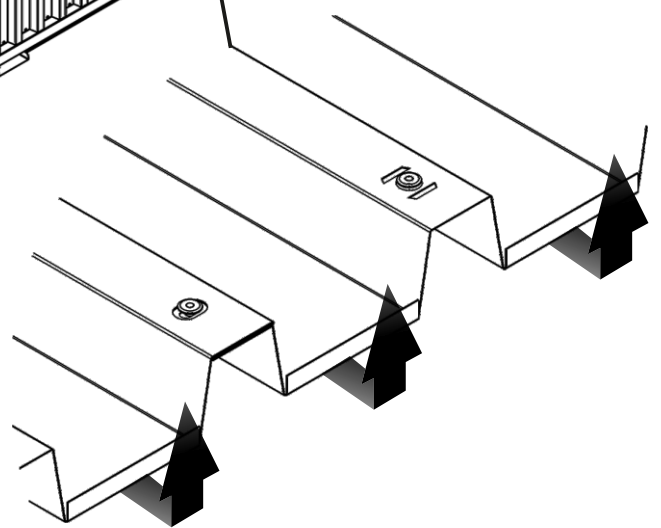
4.3.

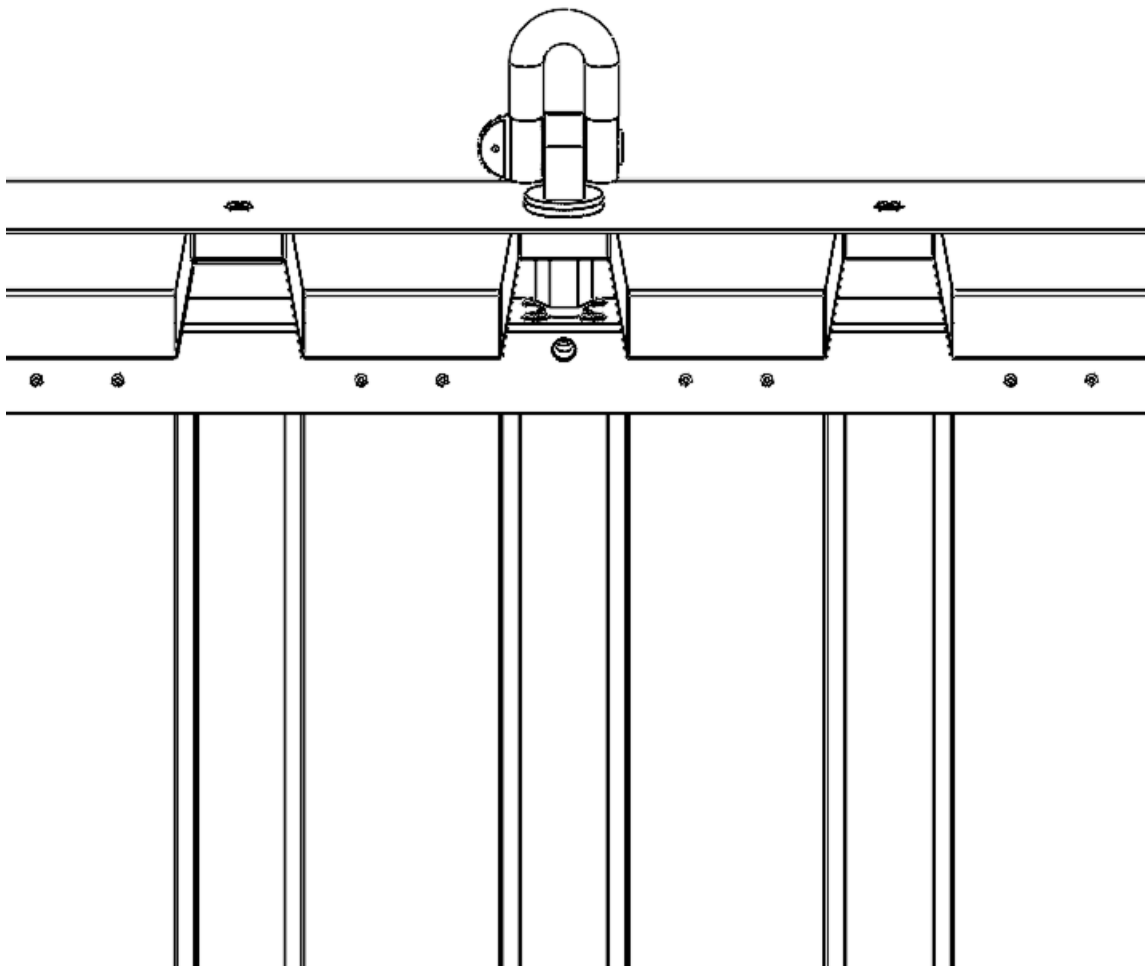
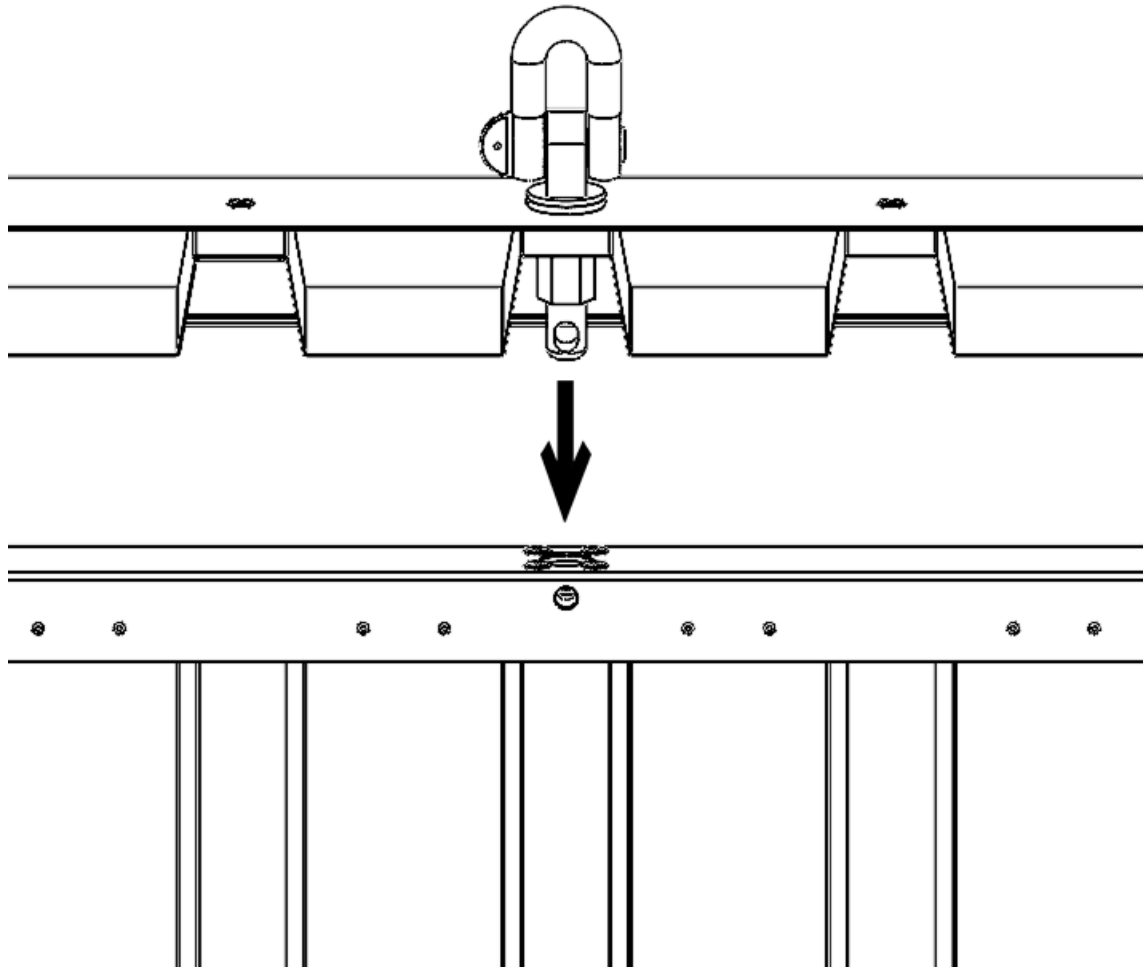


5.1.

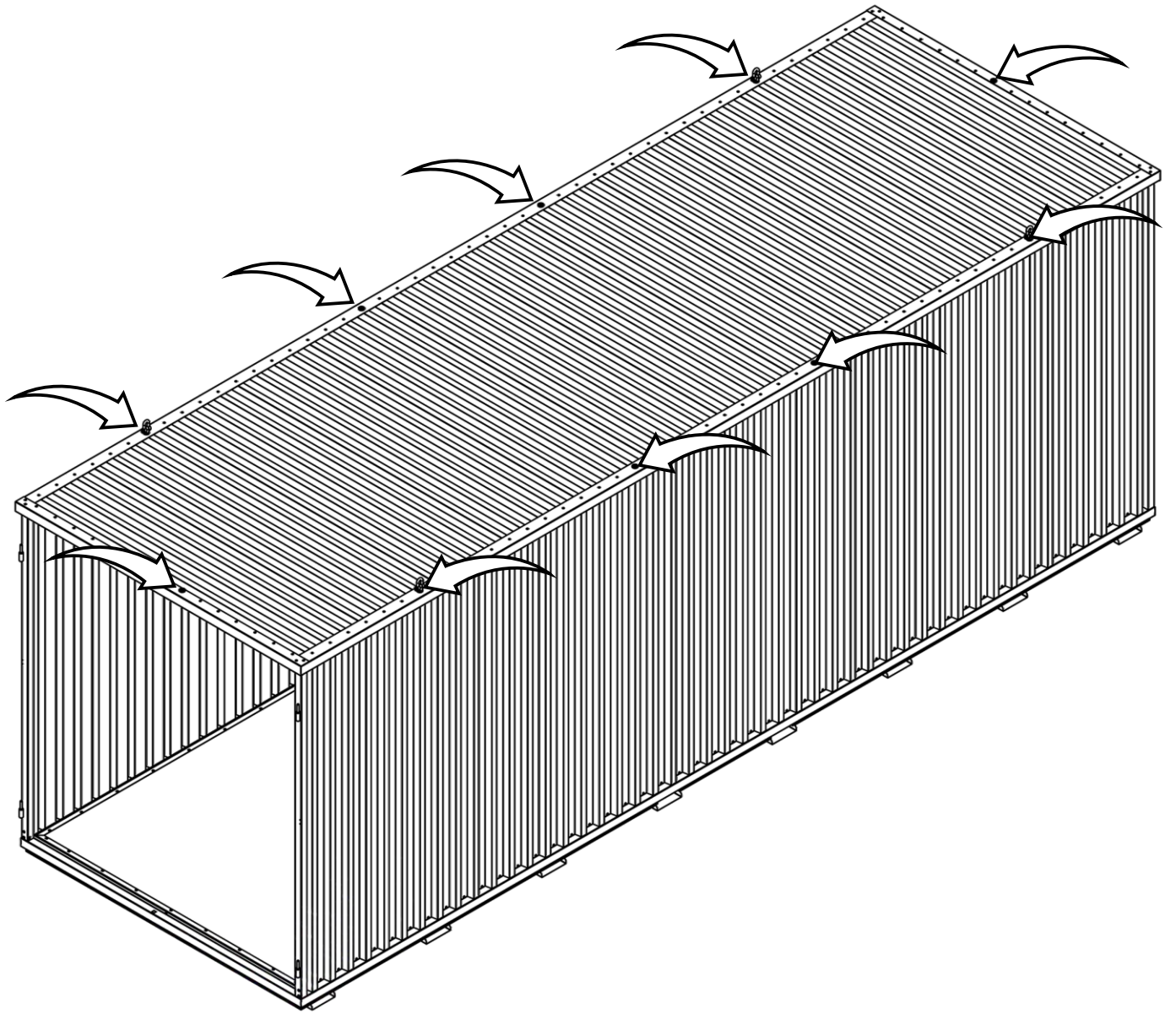


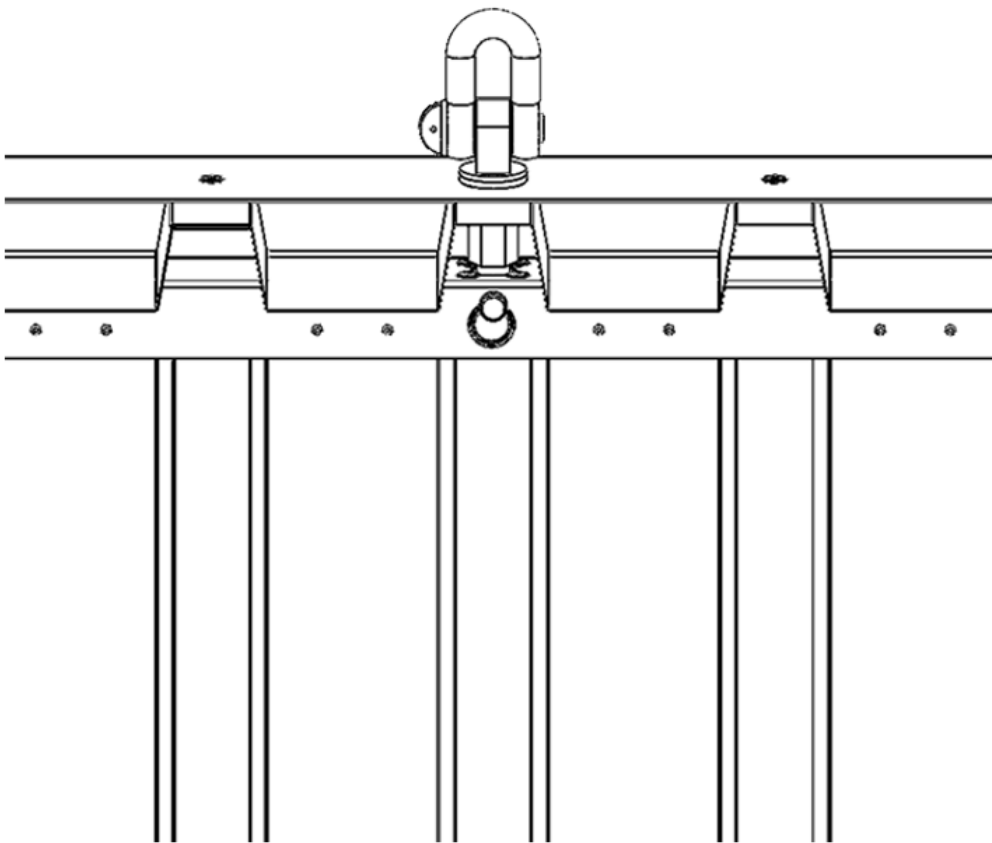
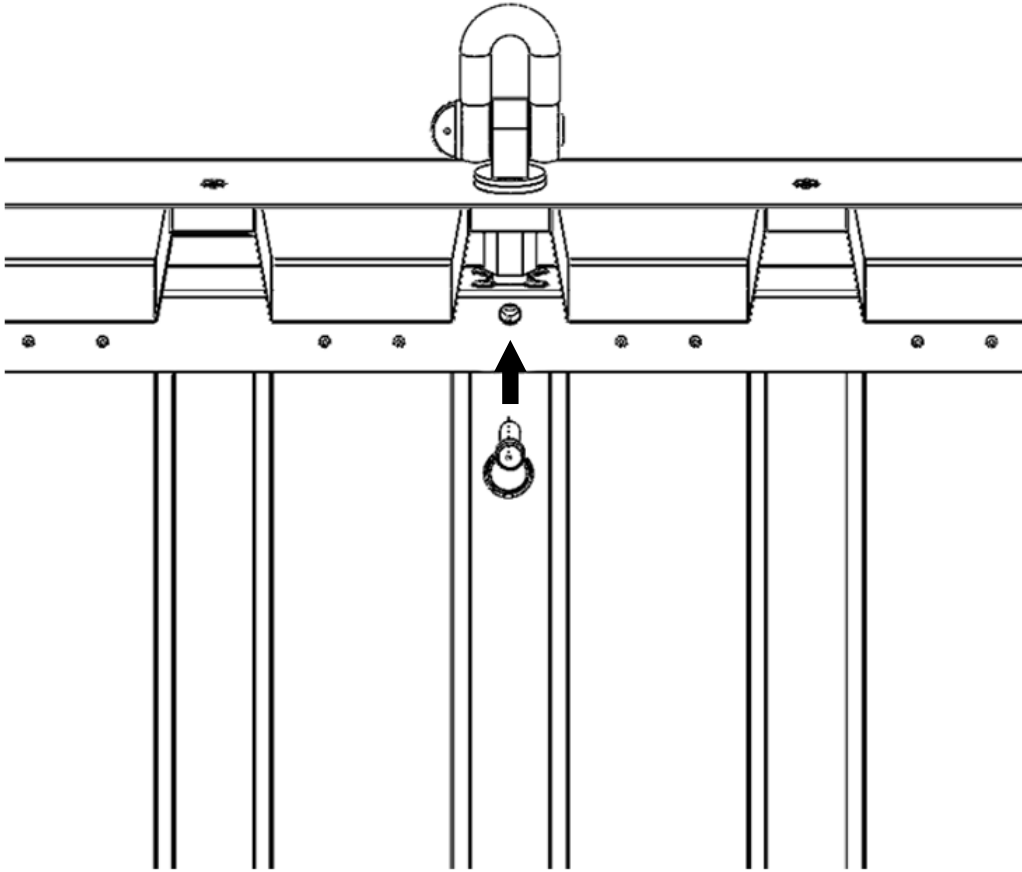
 Mass ...Kg.	 Total ... Kg.	 1640 MM	Model Code Production Tracking Code			
			  			



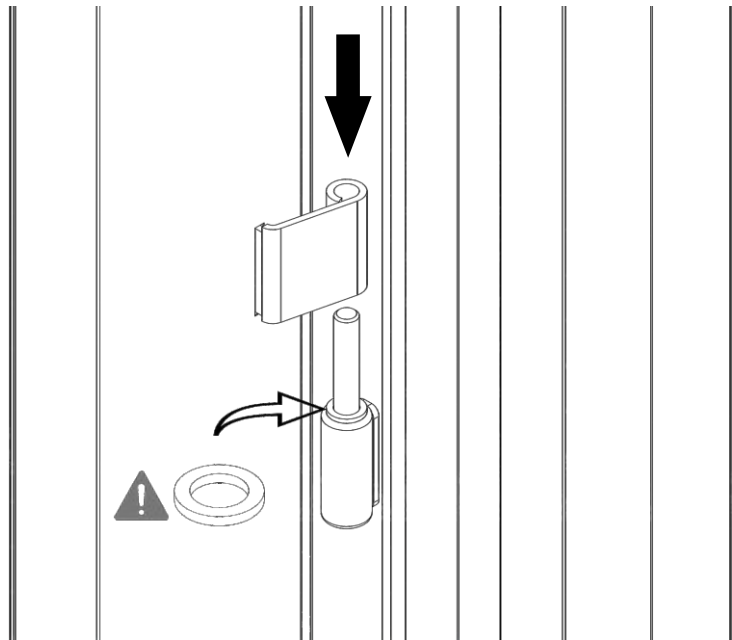
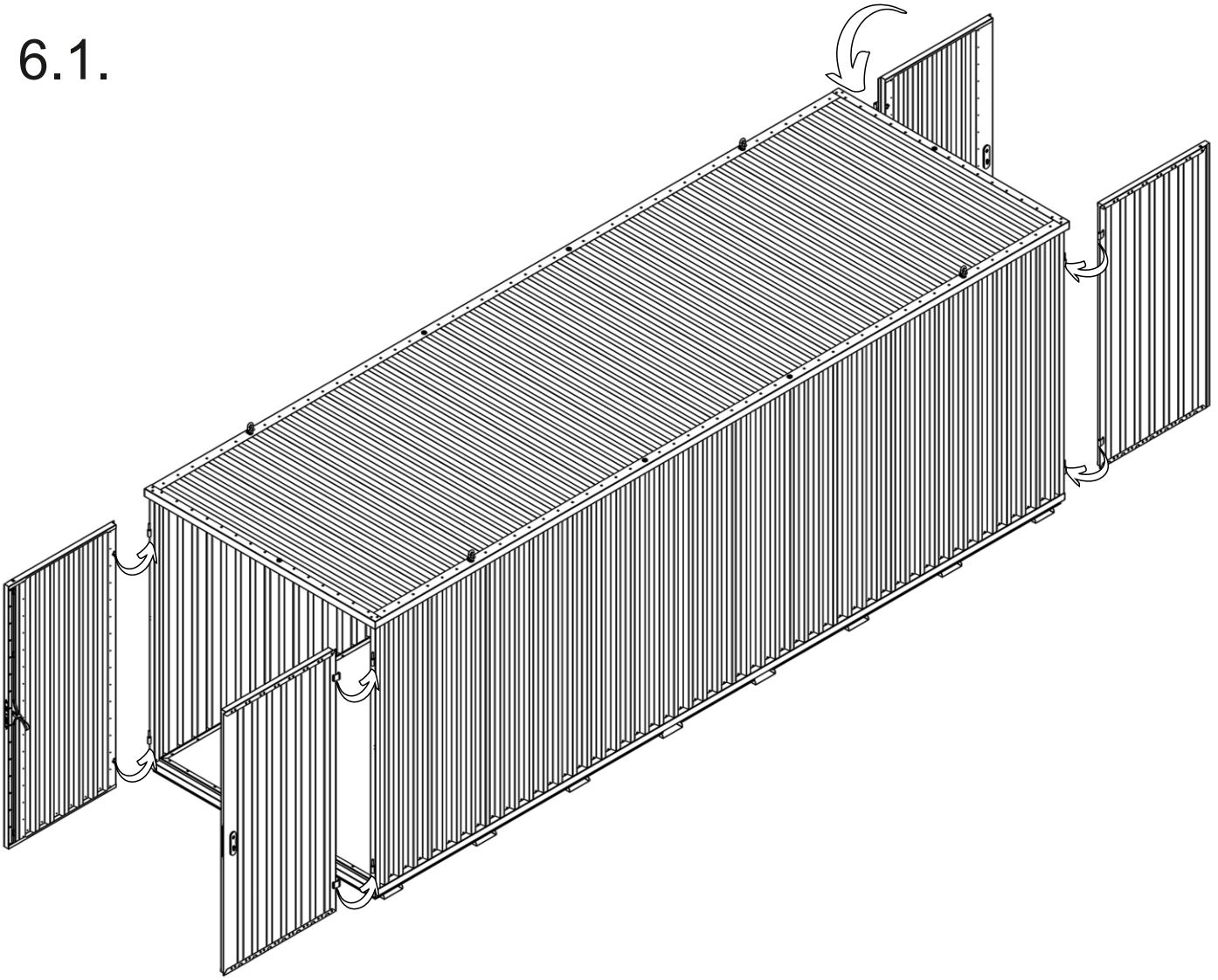


5.2.

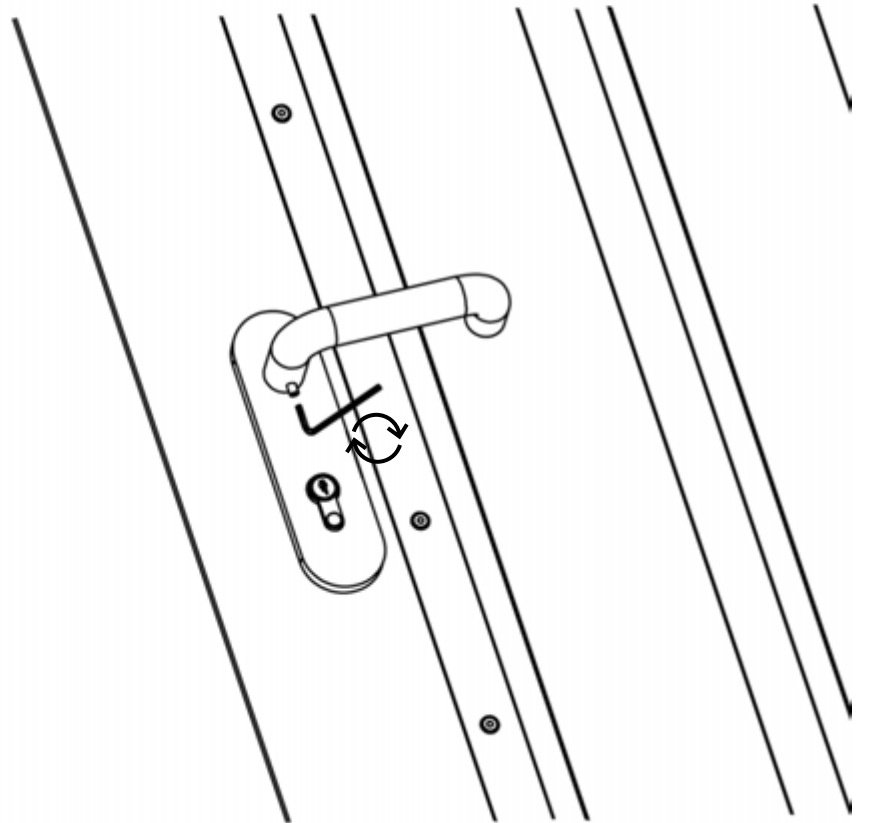
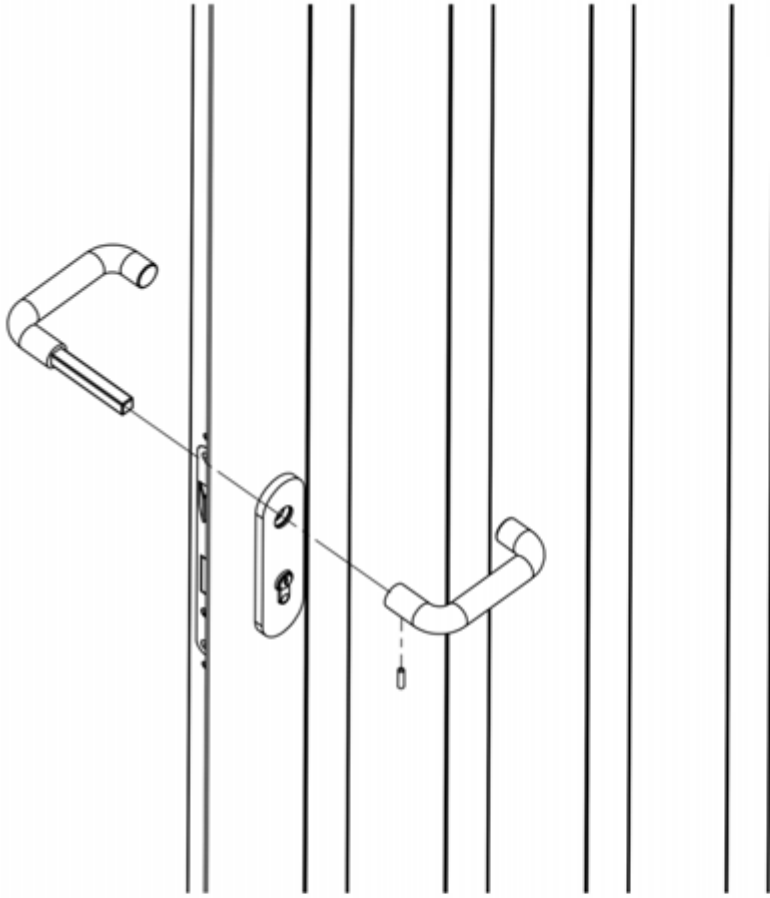




6.1.



6.2.



7.1.

