
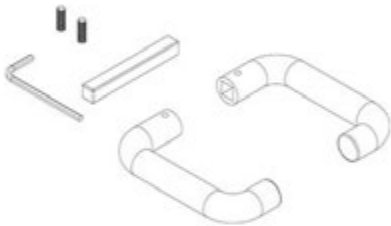

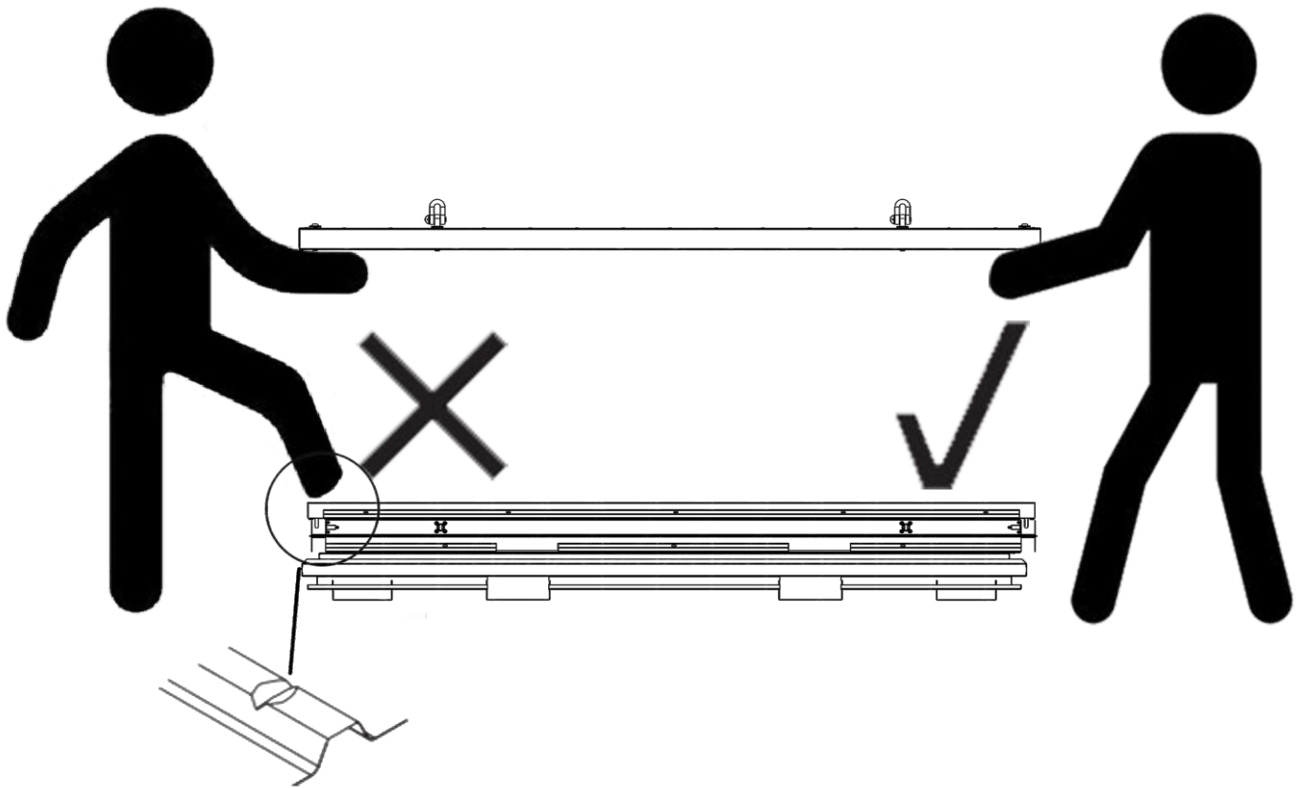
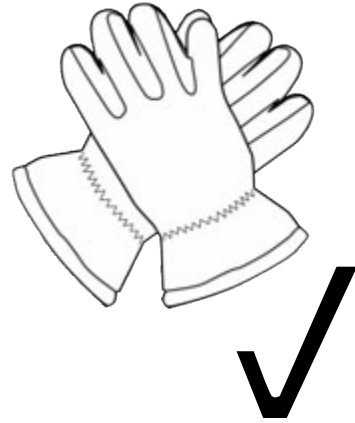


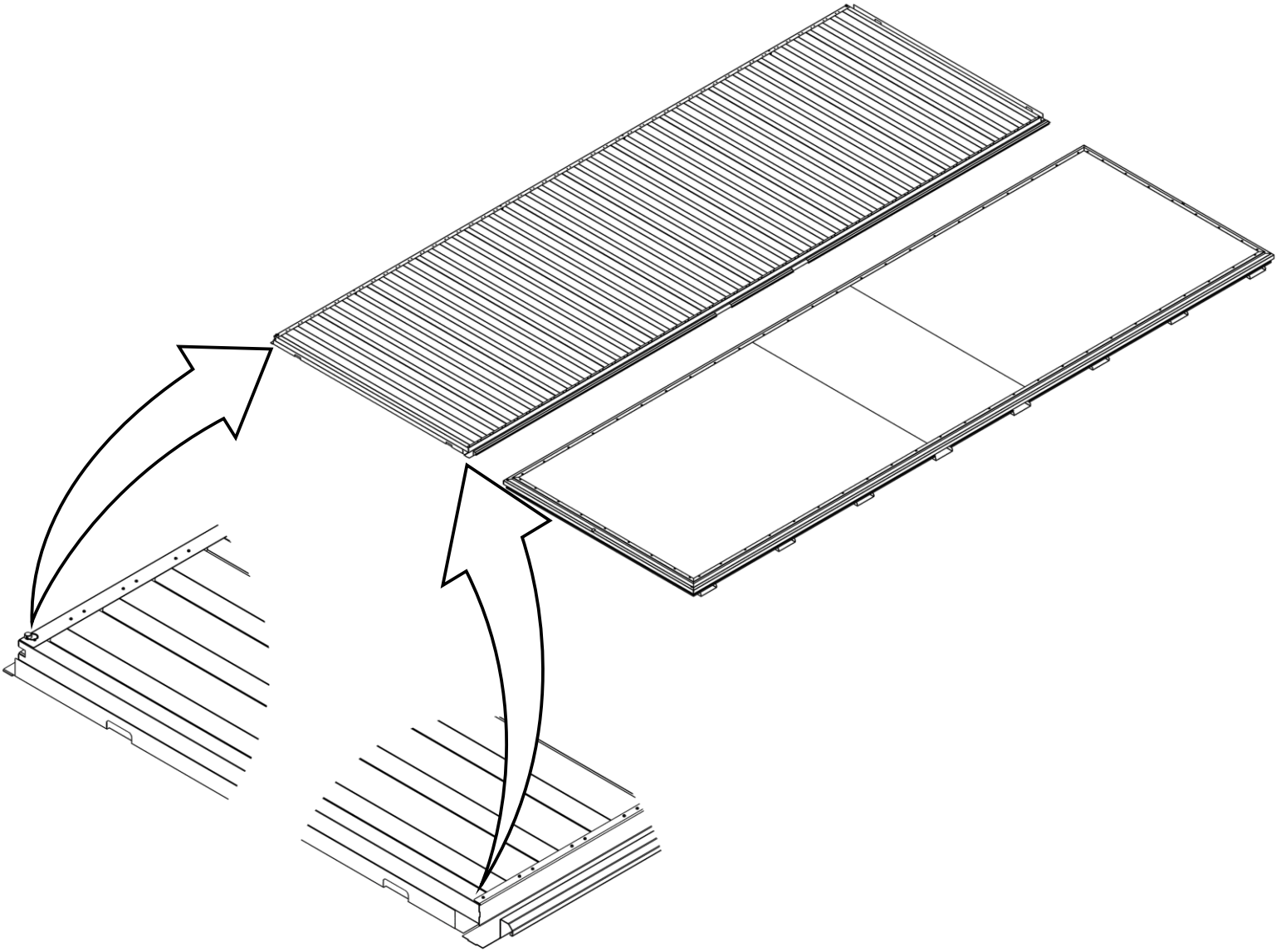
**PRODUCT CODE : 60.110.330**

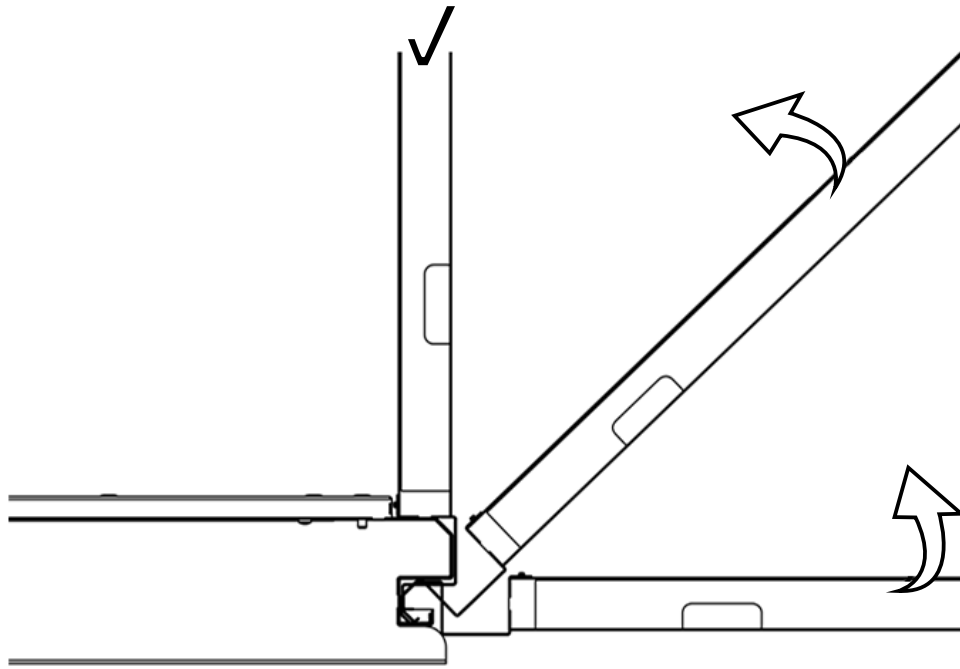


	14 pcs.
	1 pcs.
	1 pcs.

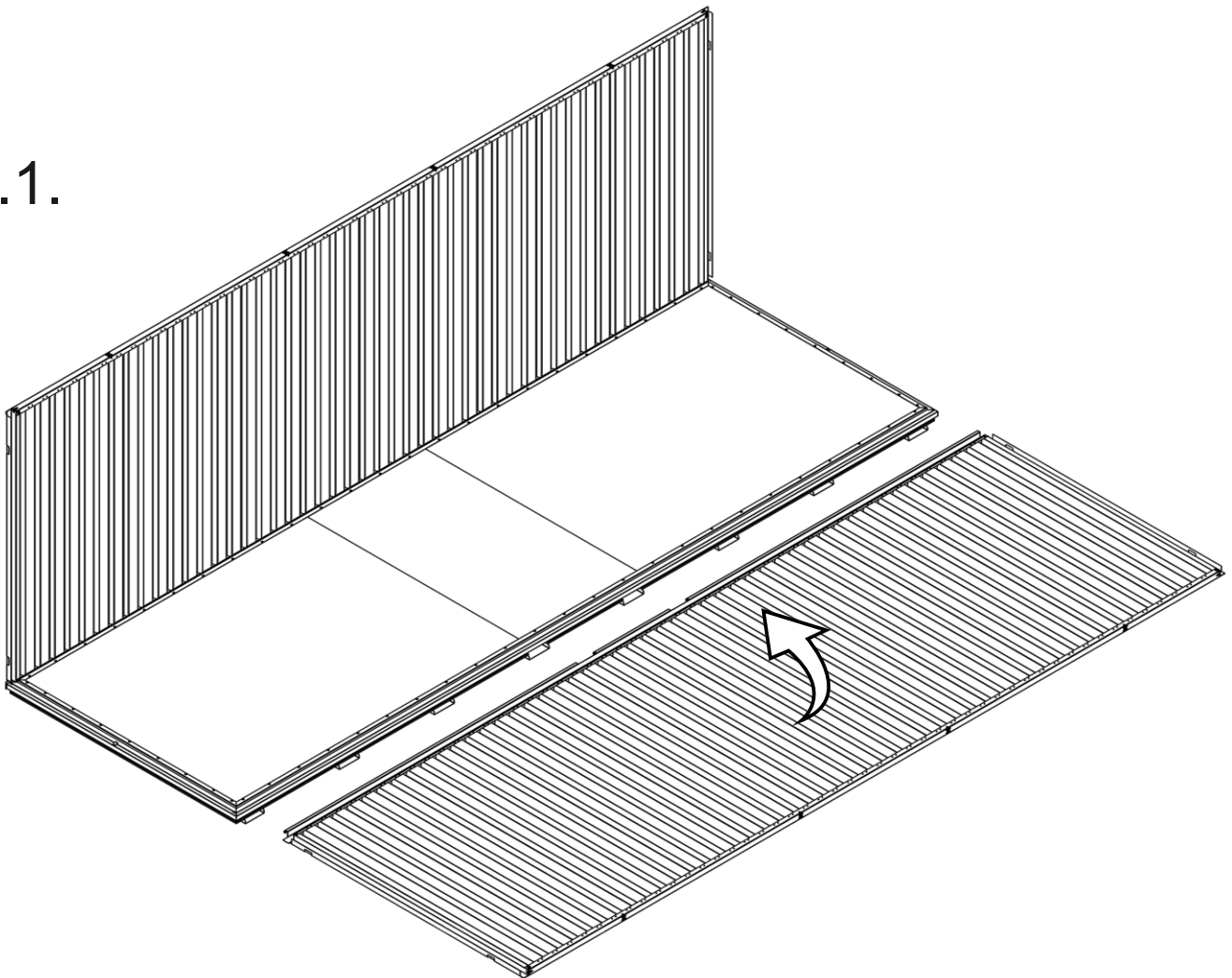


1.1.

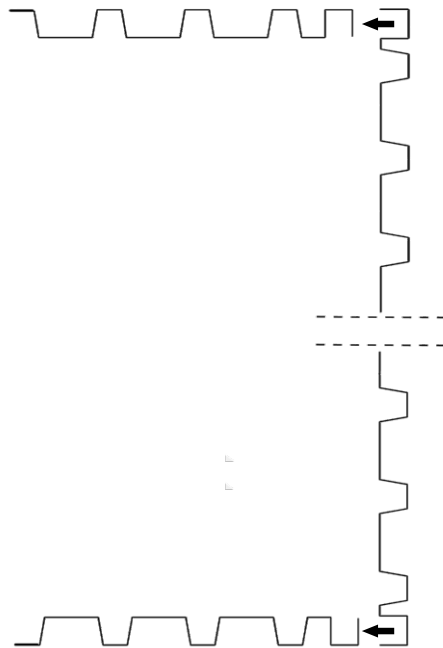
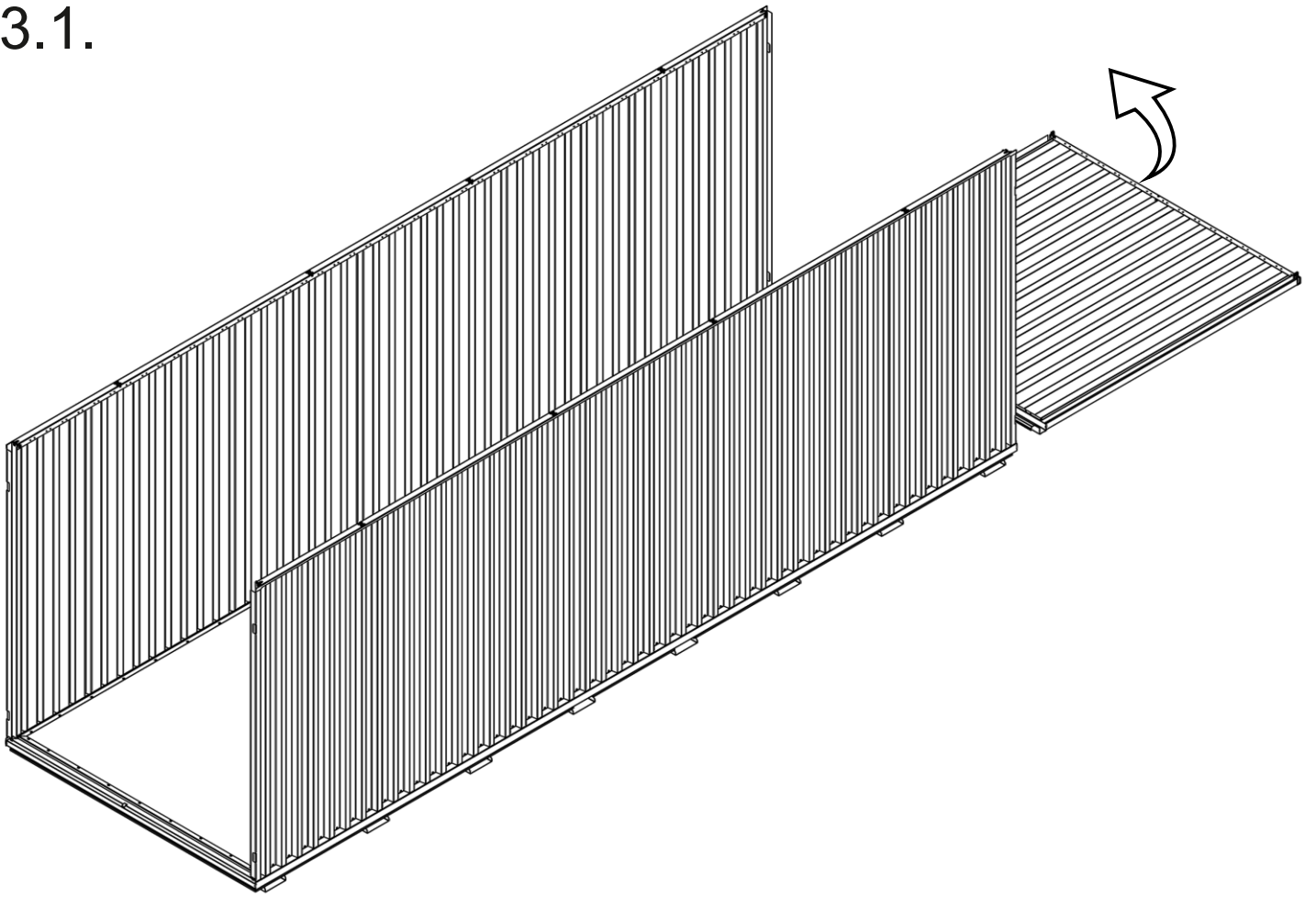




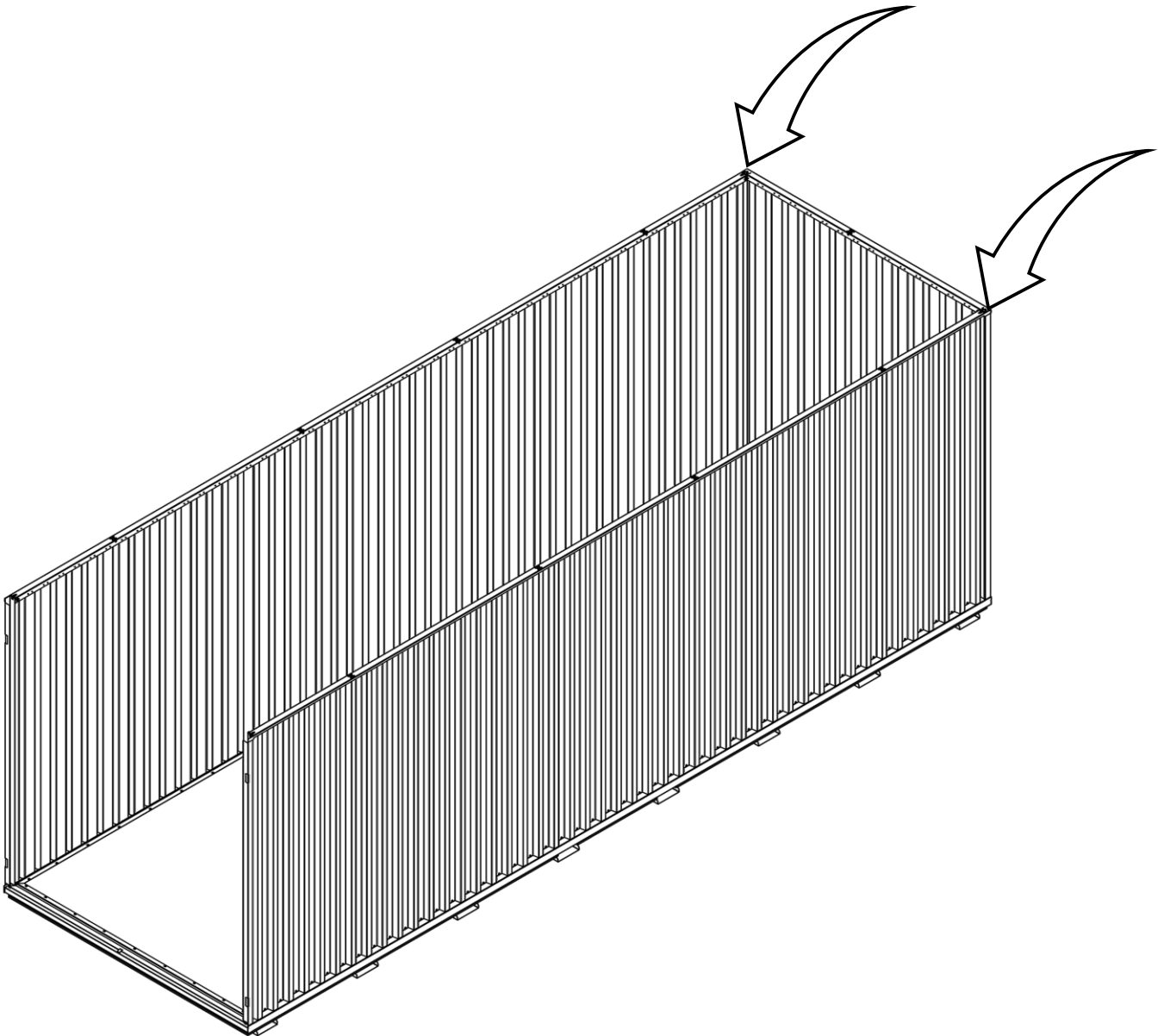
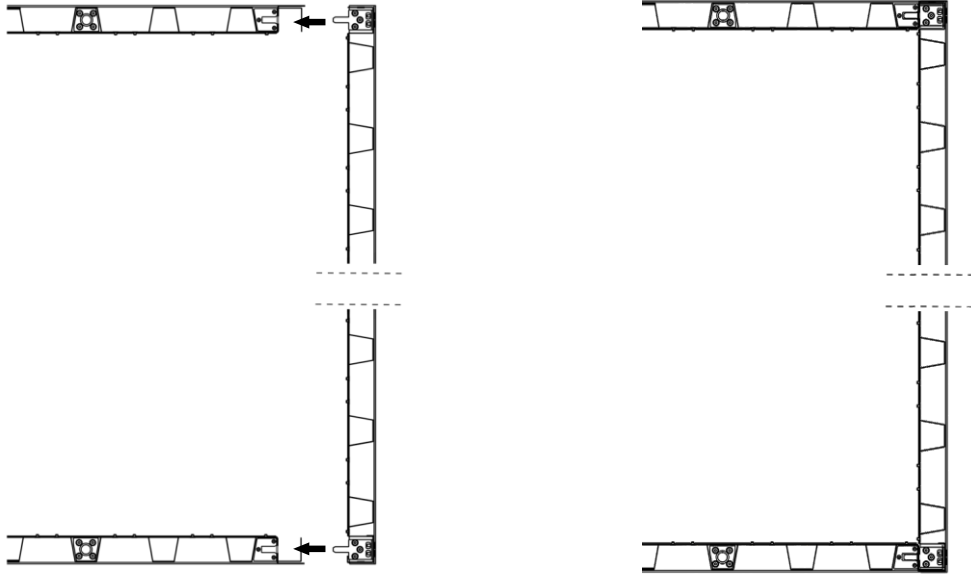
2.1.



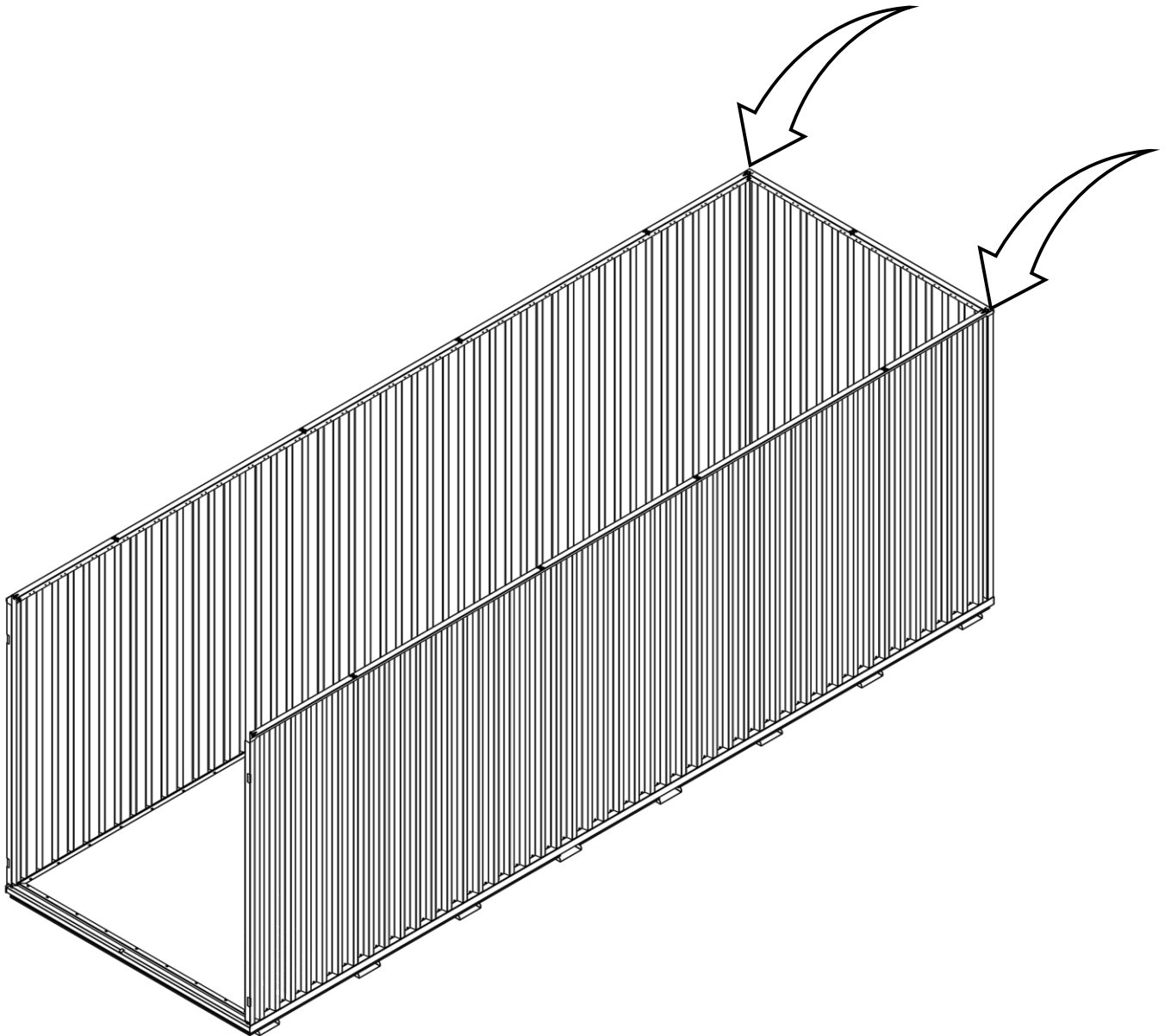
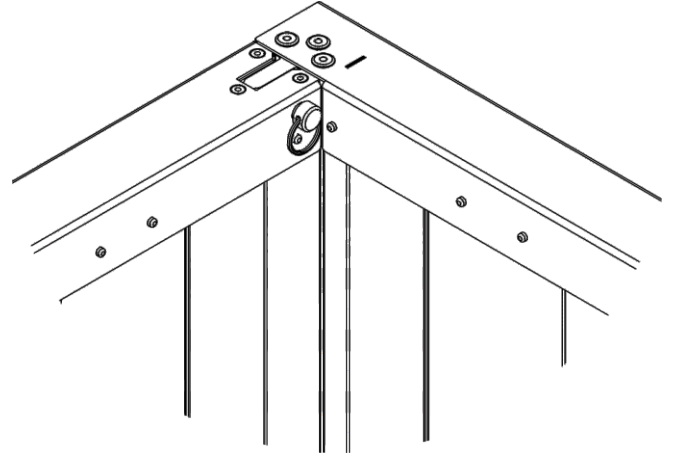
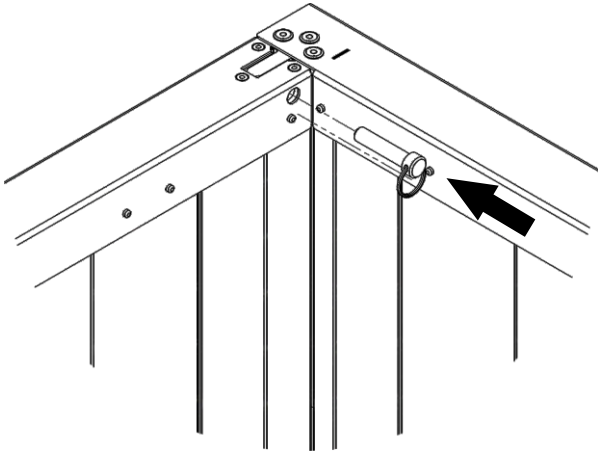
3.1.



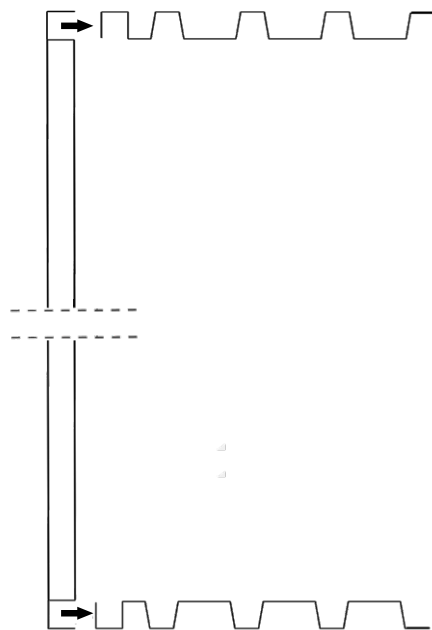
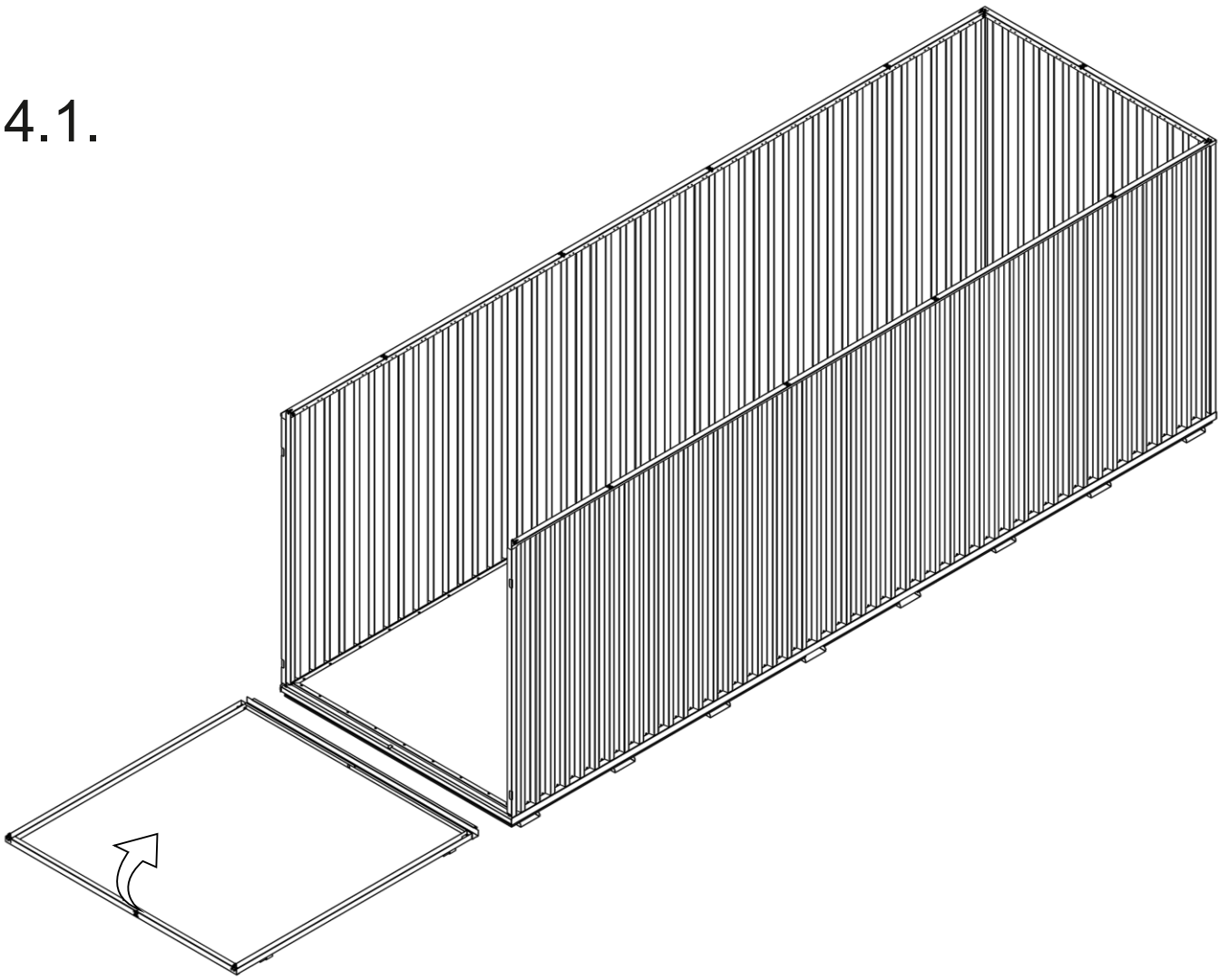
3.2.



3.3.

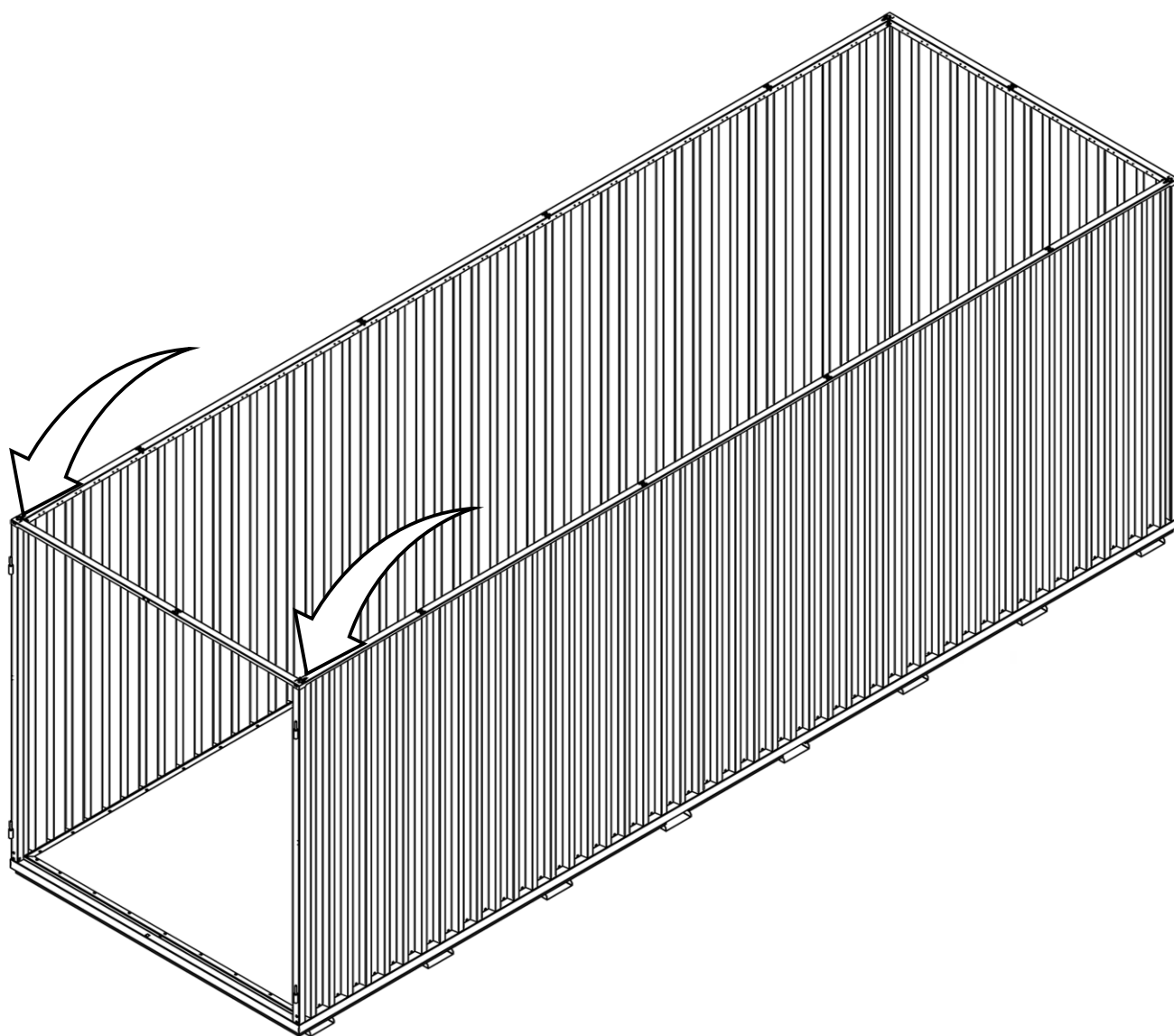
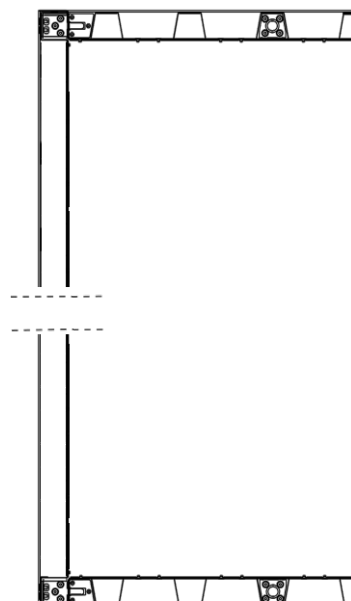
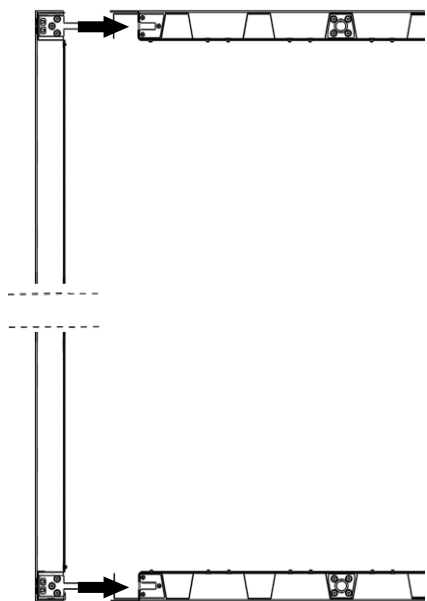


4.1.

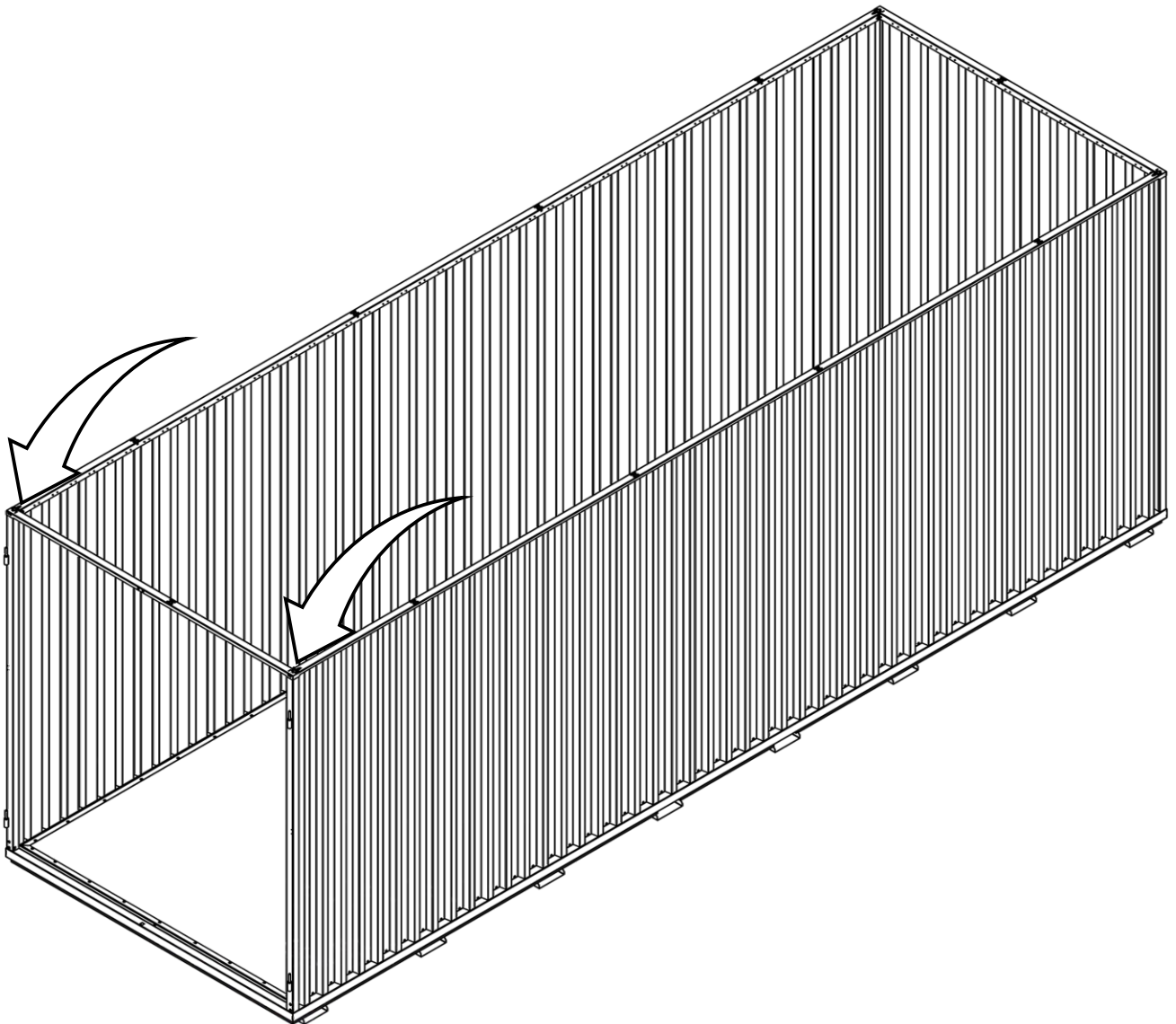
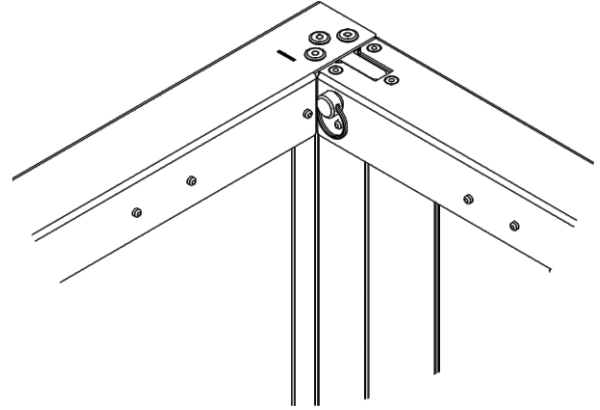
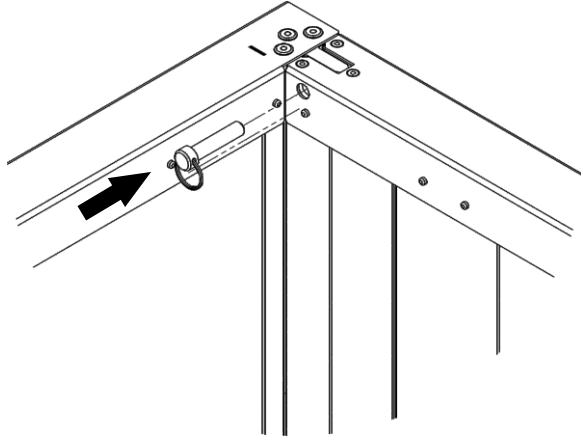




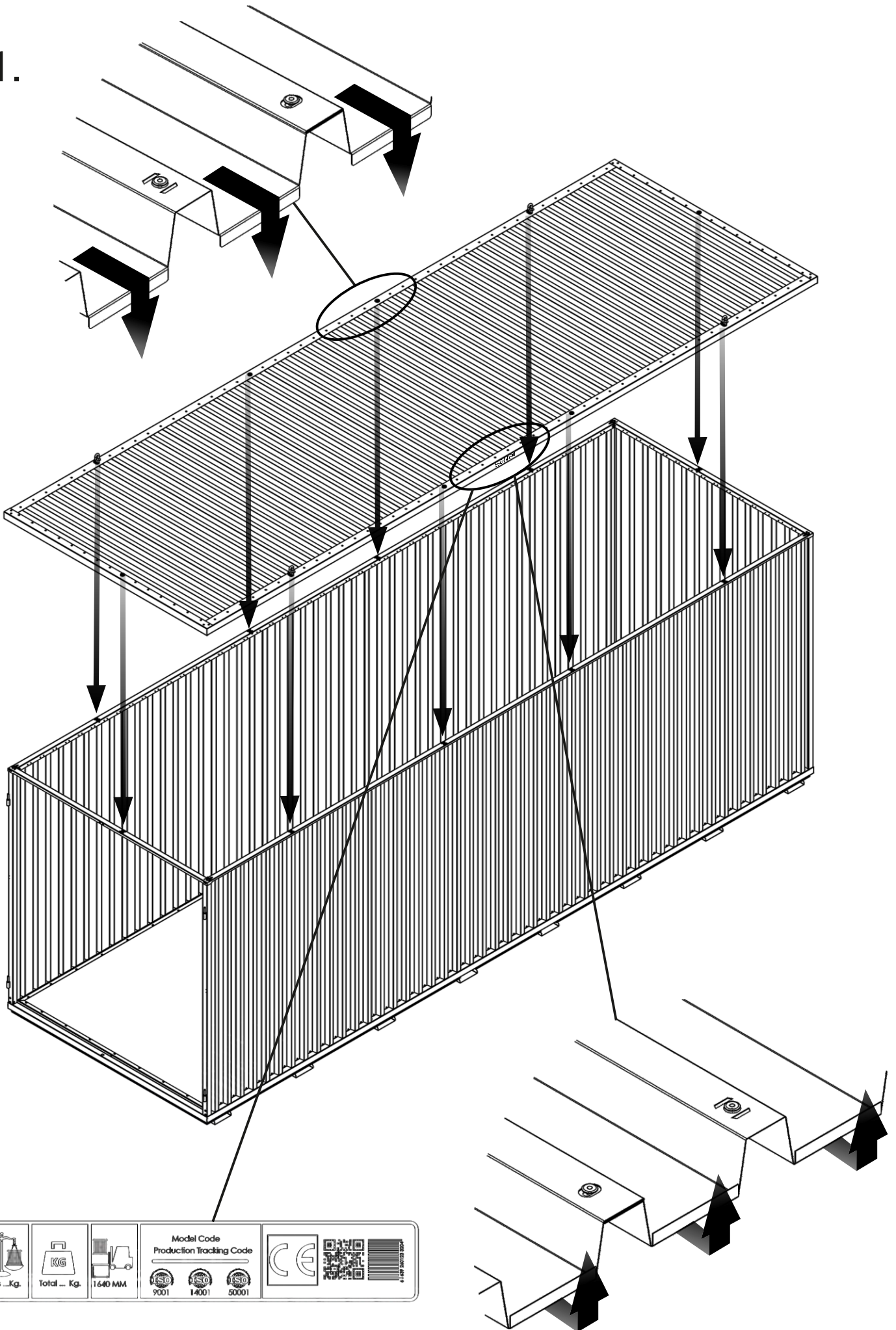
4.2.






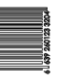





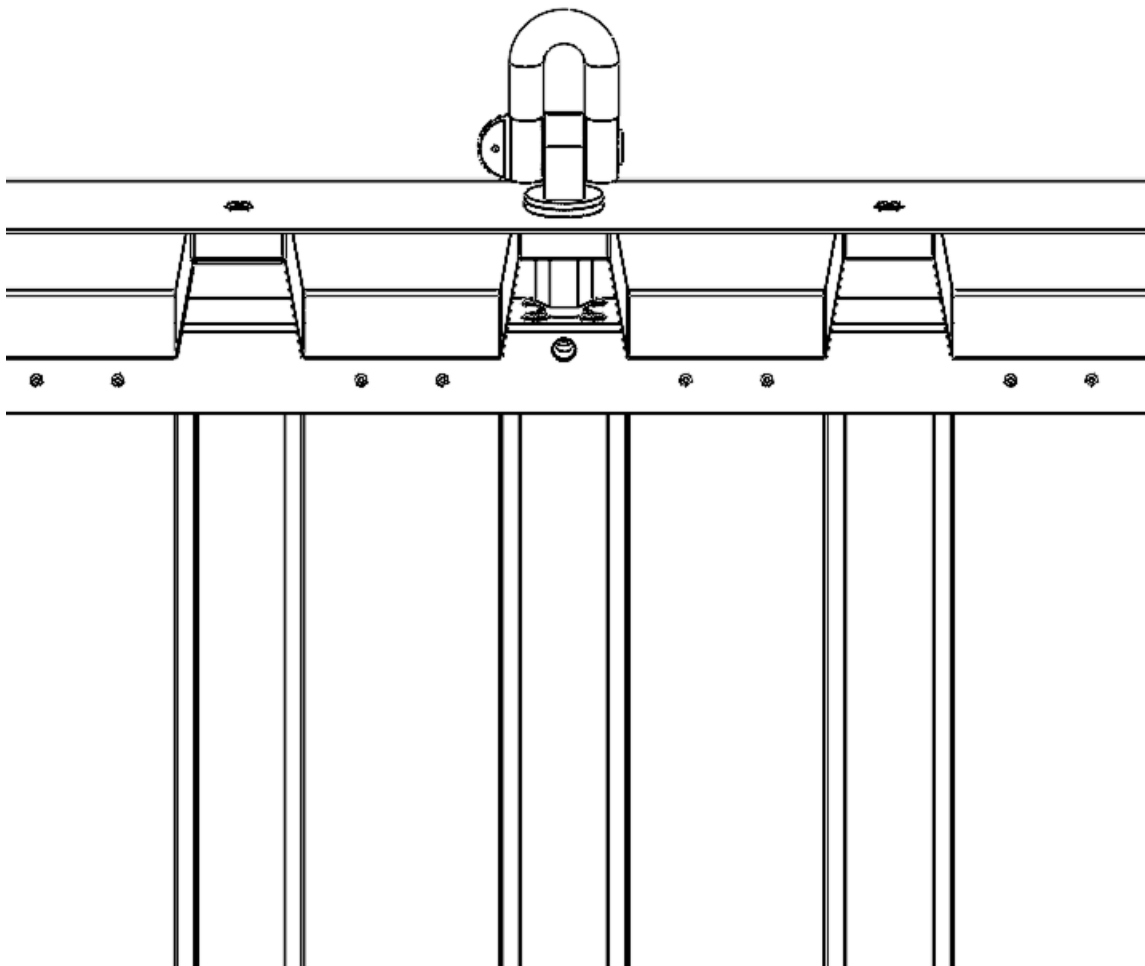
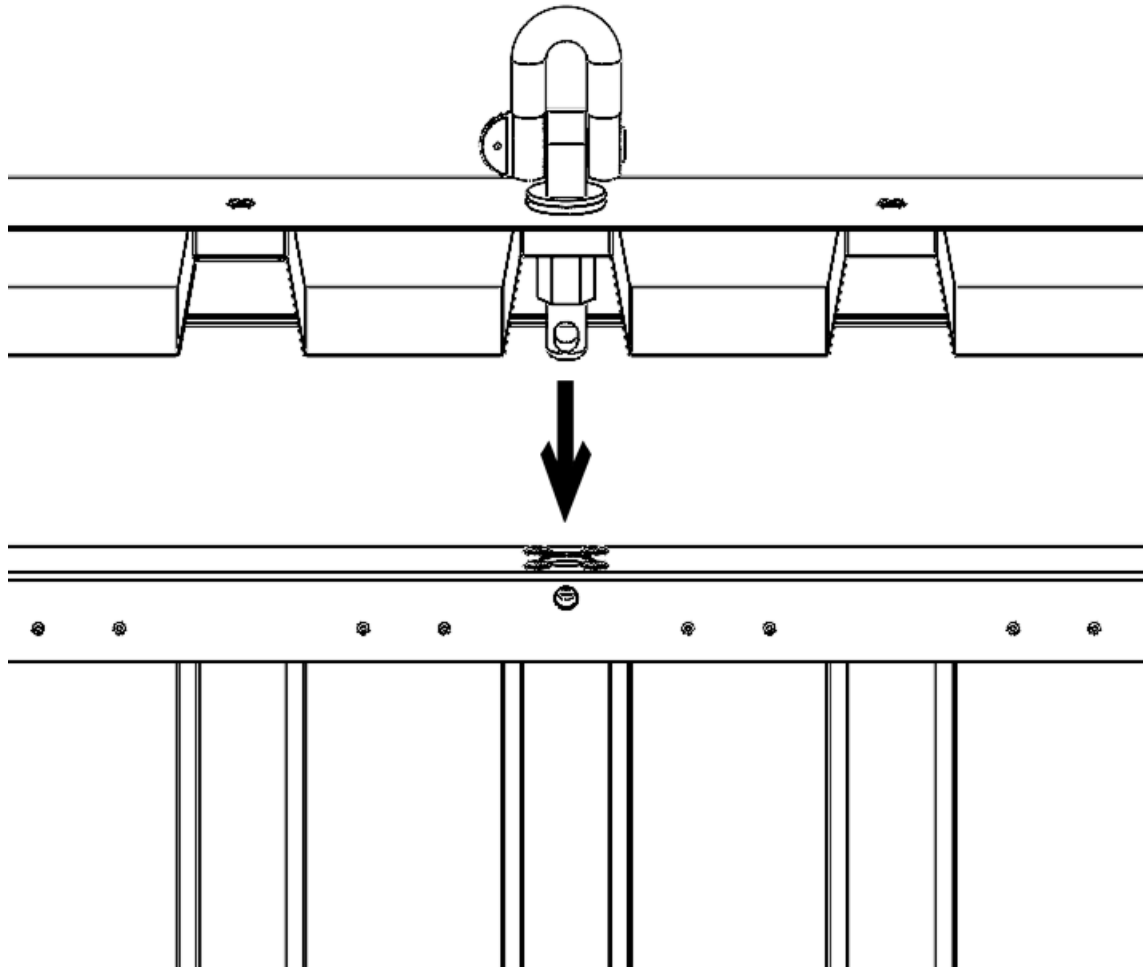
4.3.



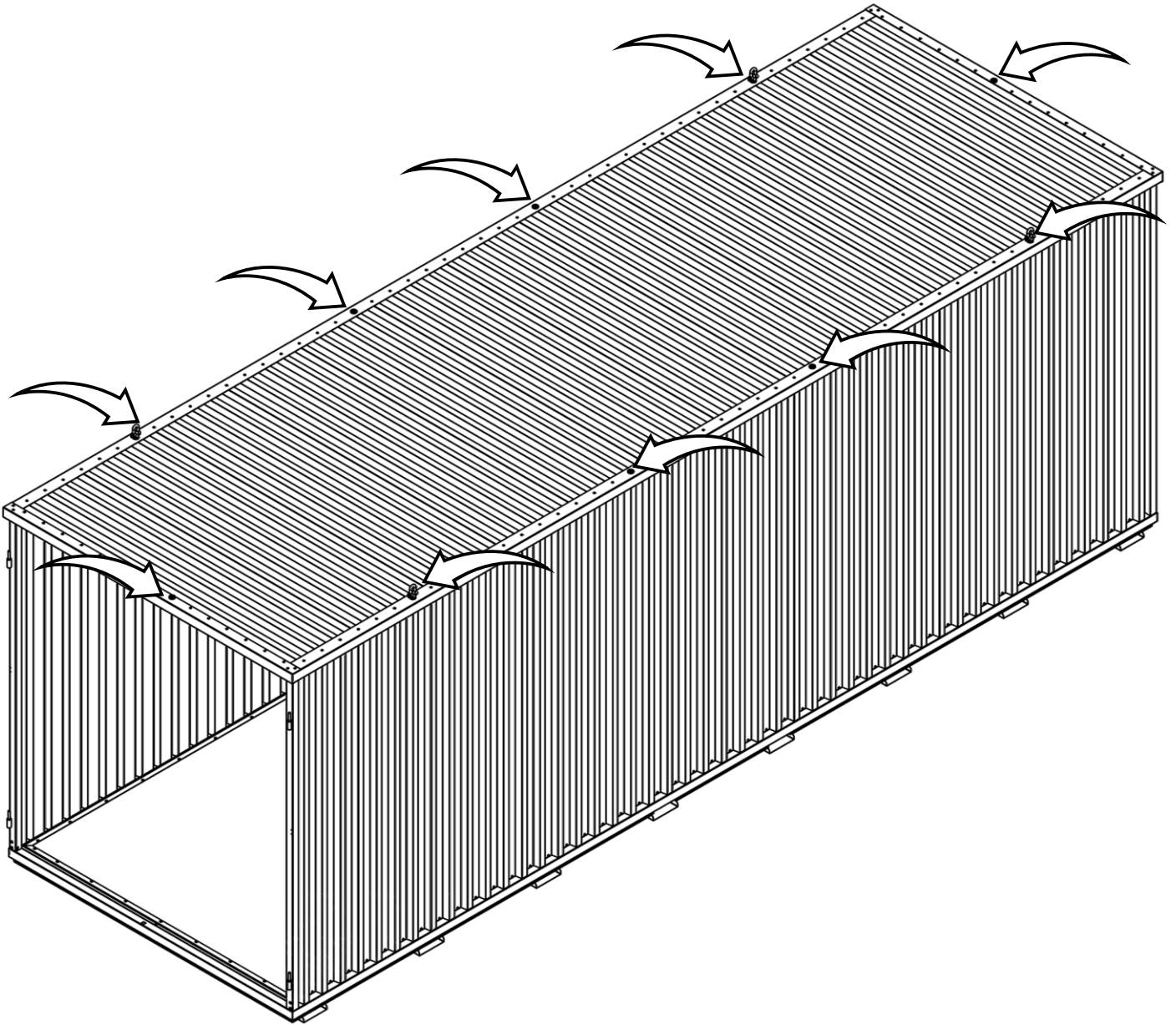
5.1.

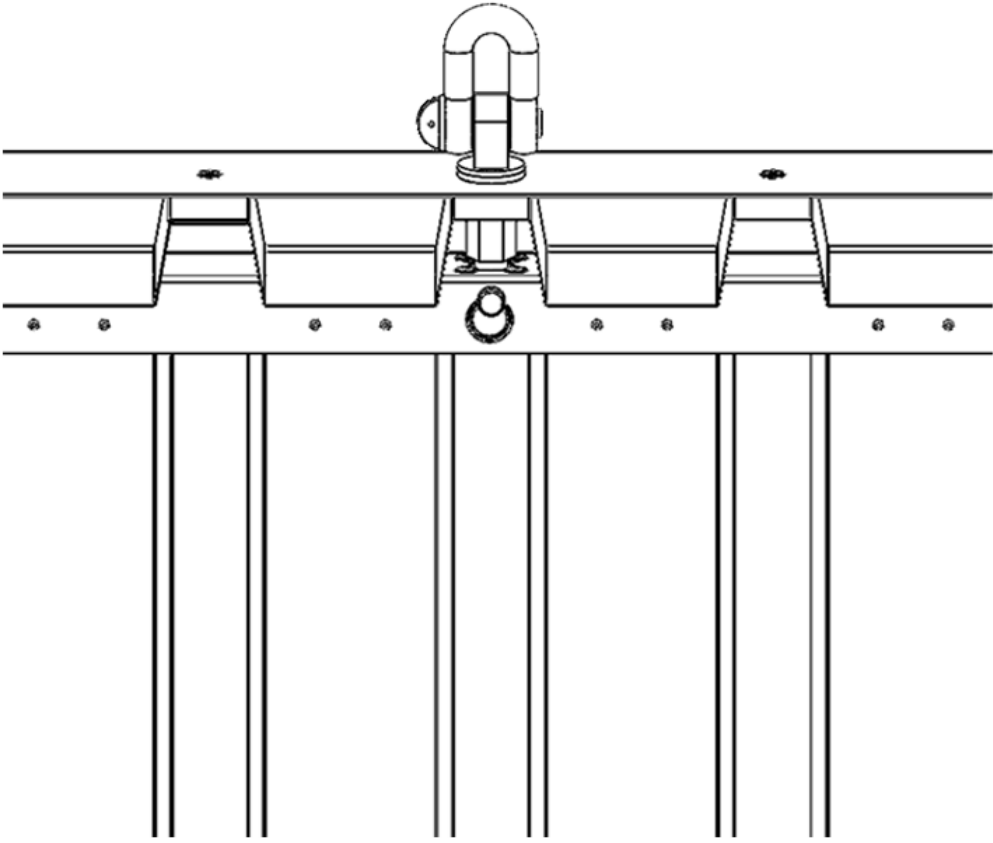
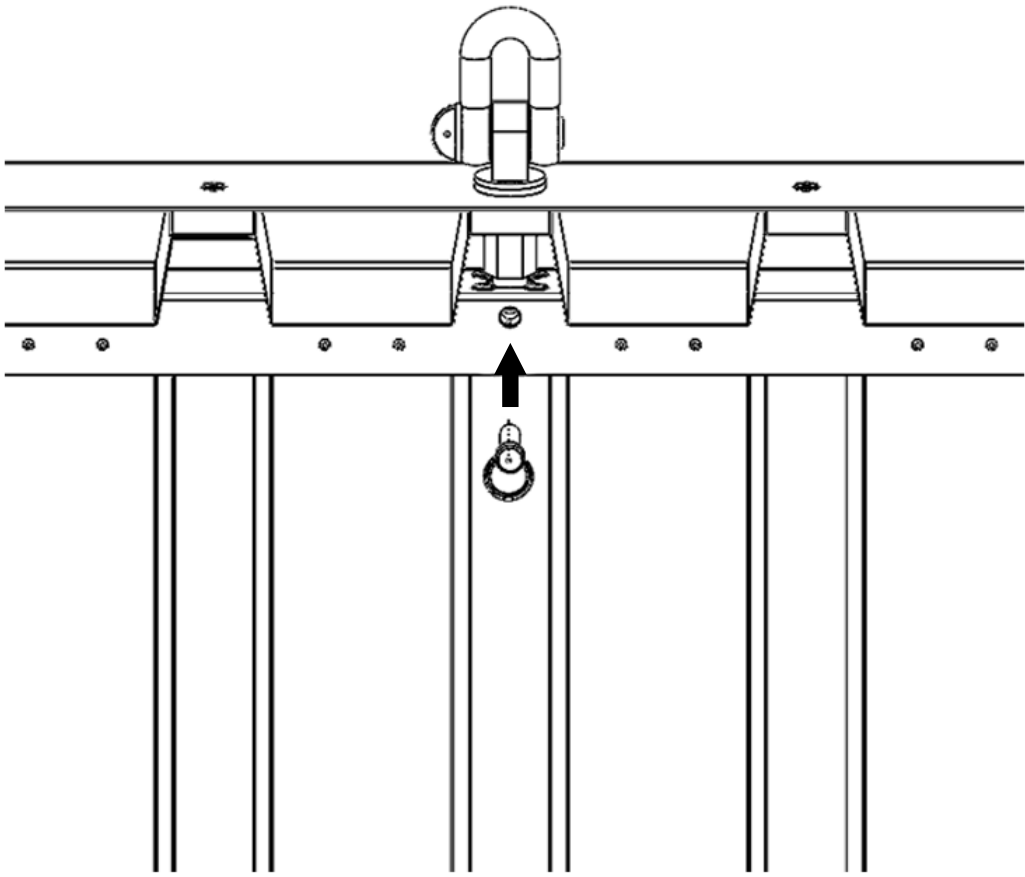


 Mass ...Kg.	 Total ... Kg.	 1640 MM	Model Code Production Tracking Code			
			  			

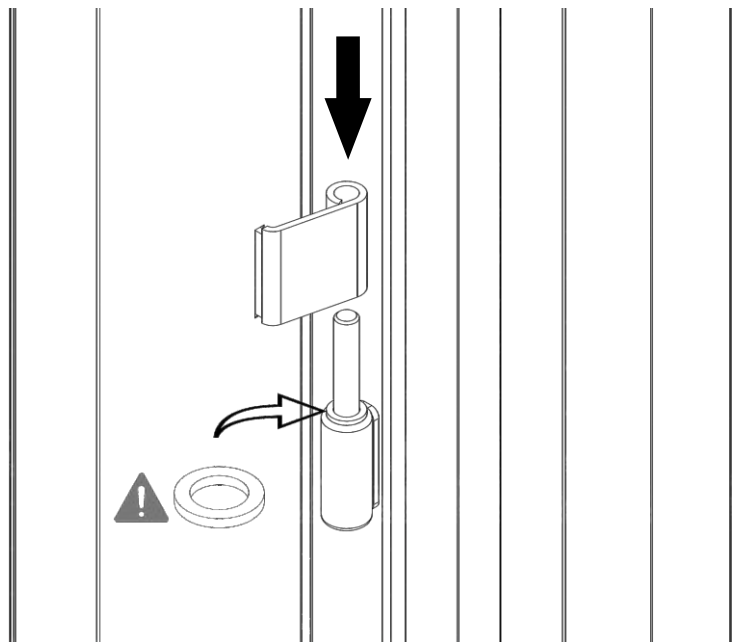
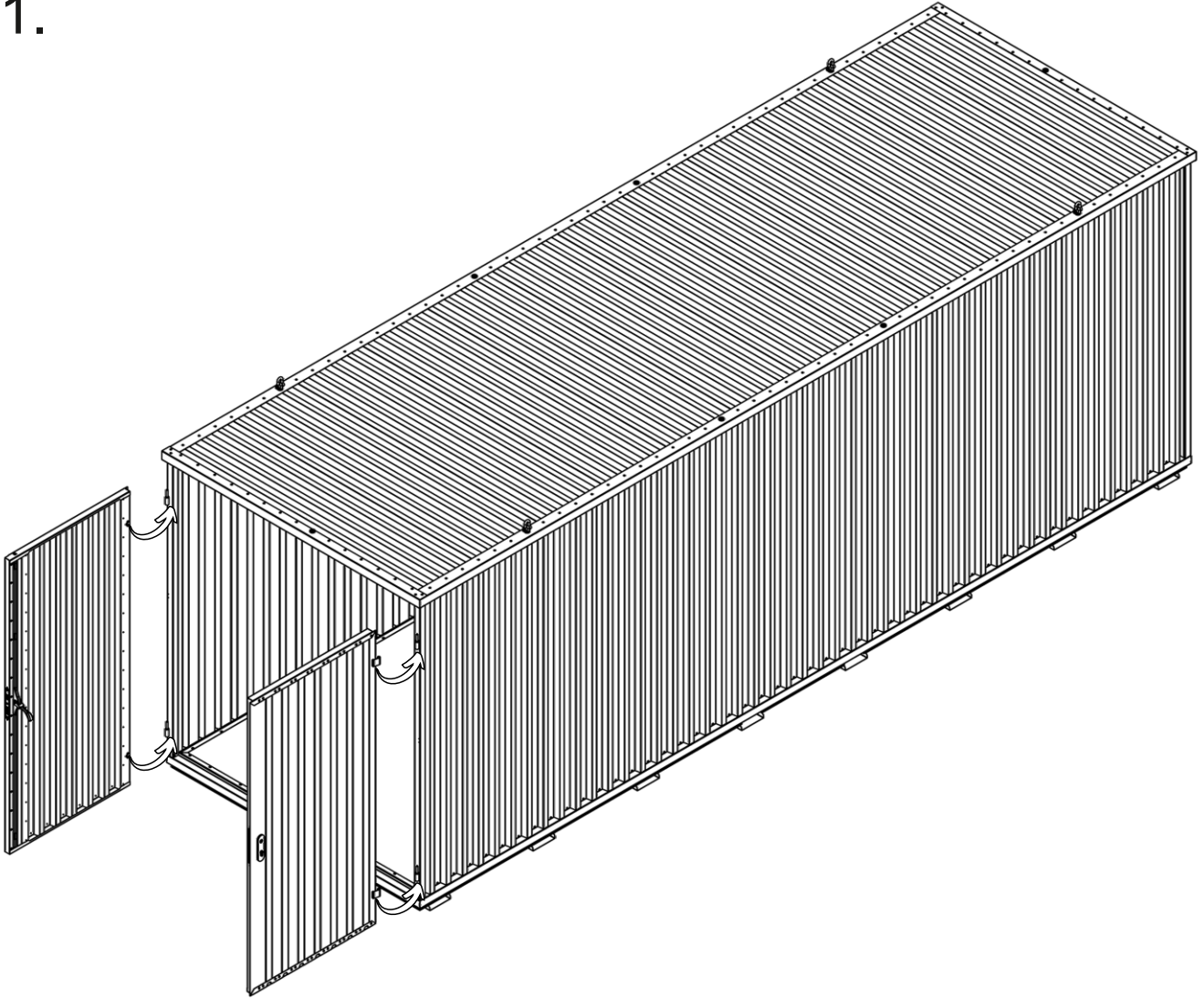


5.2.

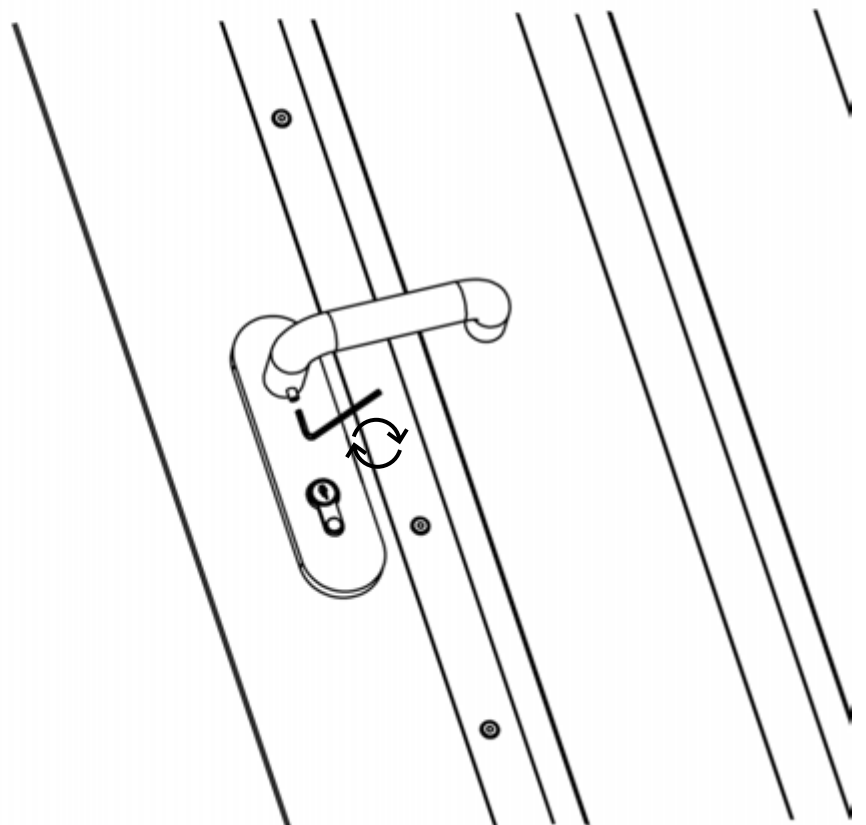
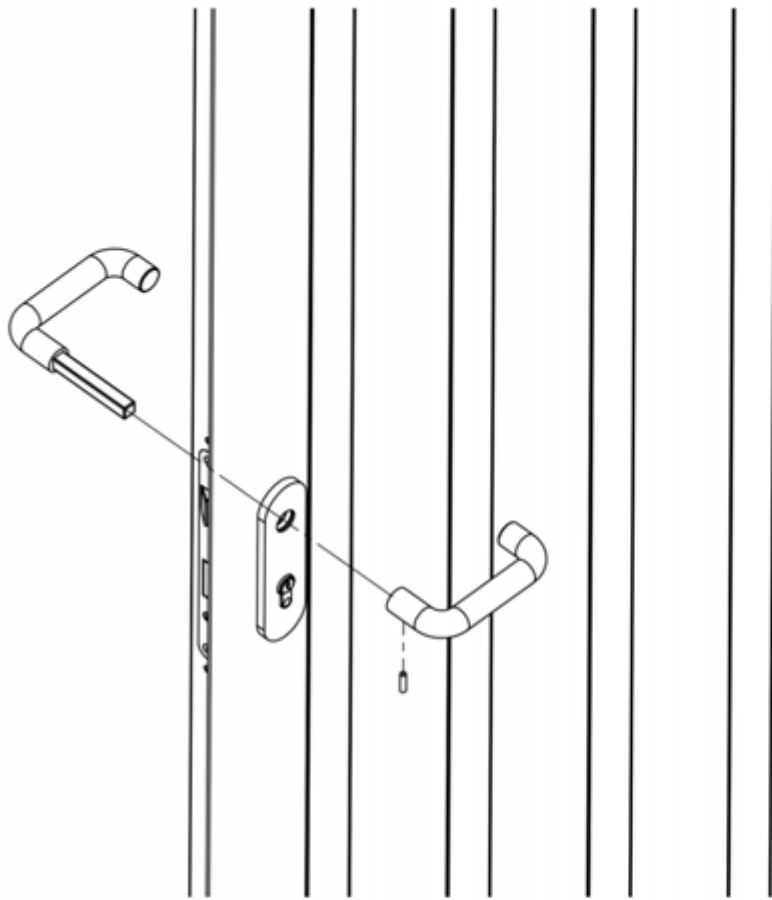




6.1.

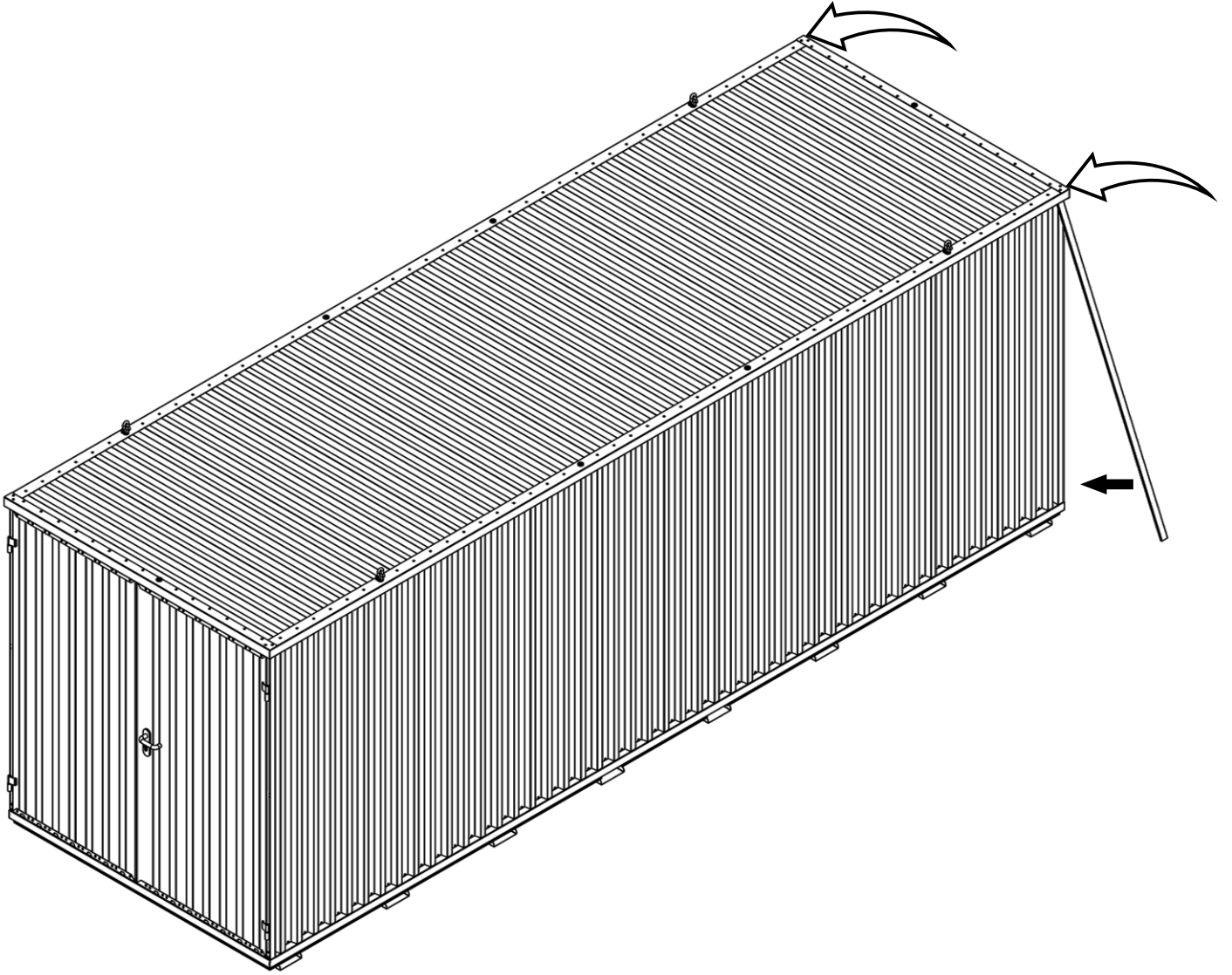


## 6.2.





7.1.



8.1.

