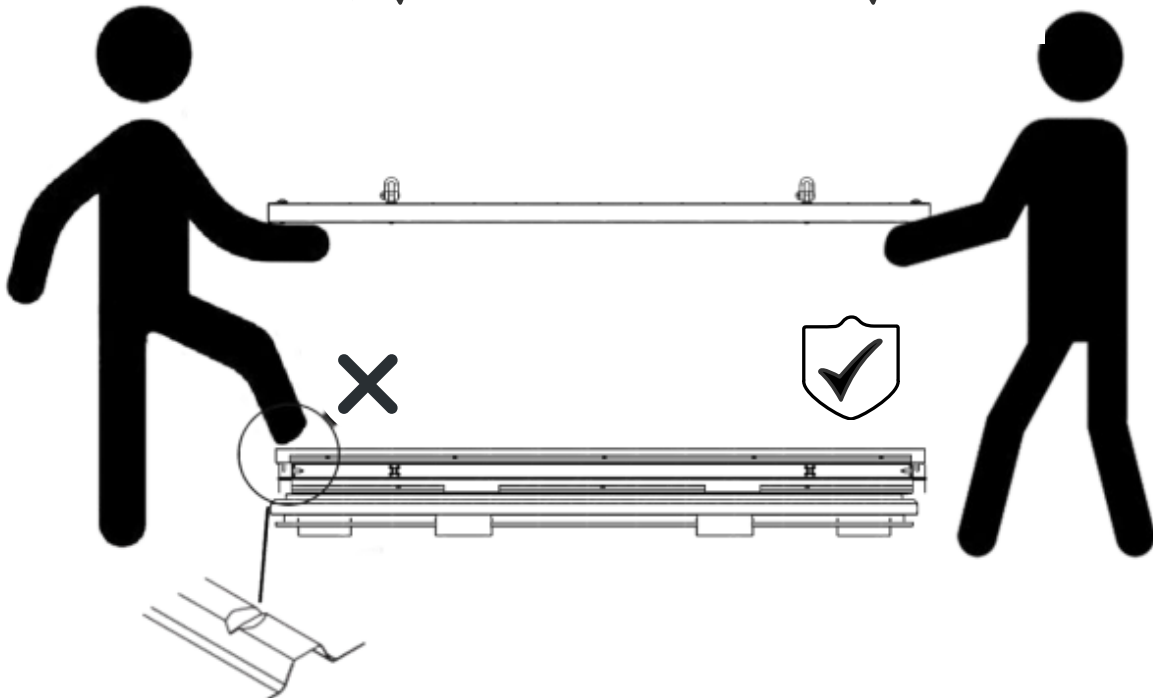
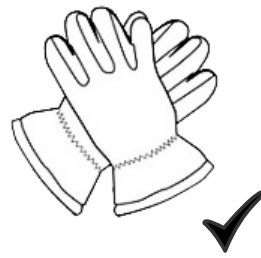
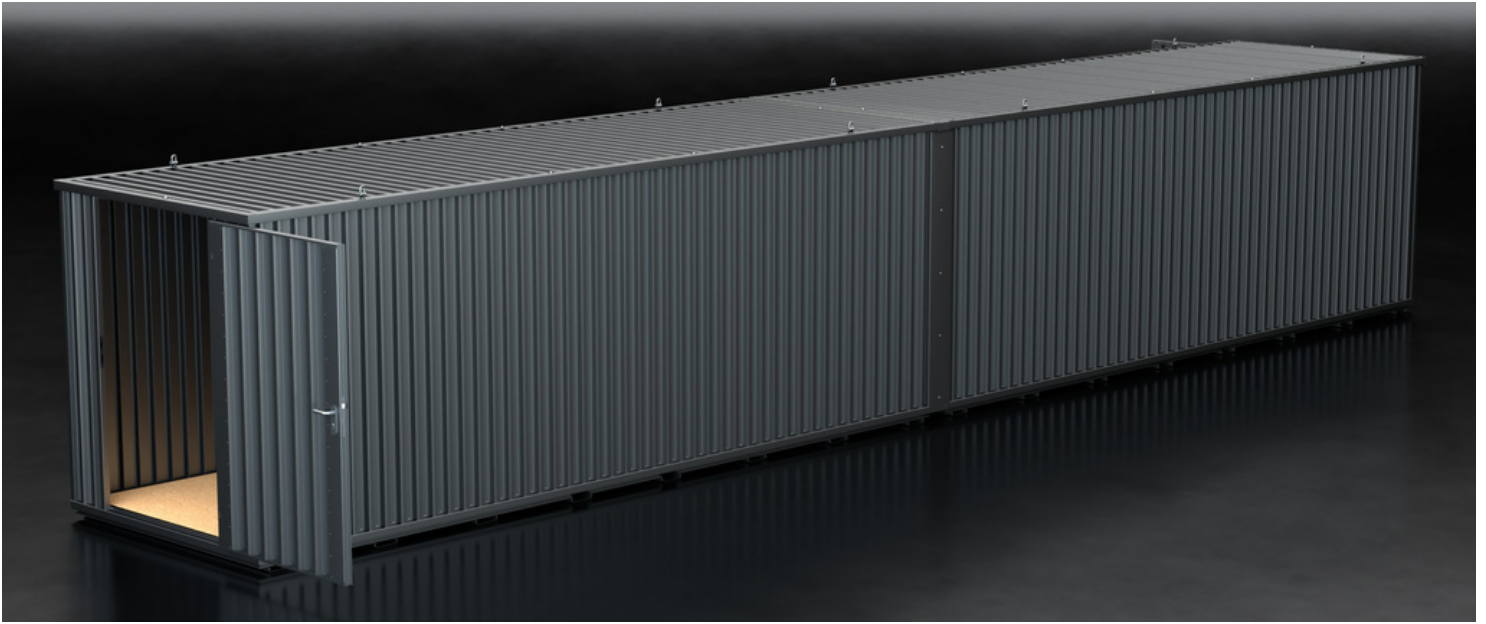


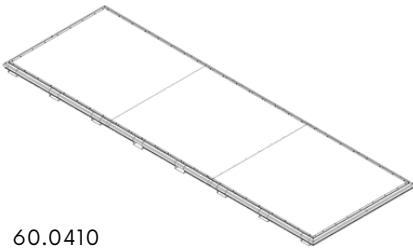
PRODUCT CODE:6060.110.320.321

prefabase
Quick Build Solutions

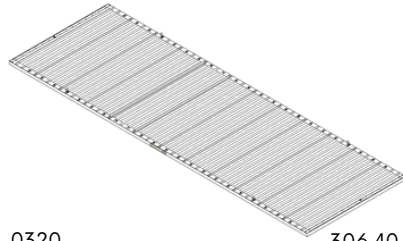
Instructions and User Guide



60.0110
2x



60.0510
2x



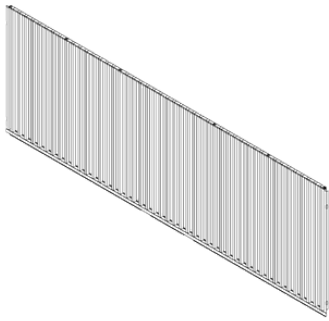
306.0110
1x



306.0510
1x



60.0410
4x



0320
2x



306.40.05
2x



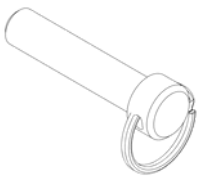
306.40.04
2x



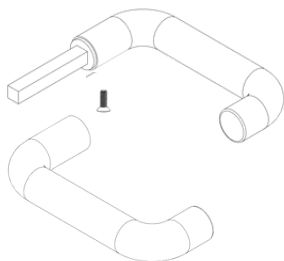
61.101
4x



28x



2x



10x



10x



10x



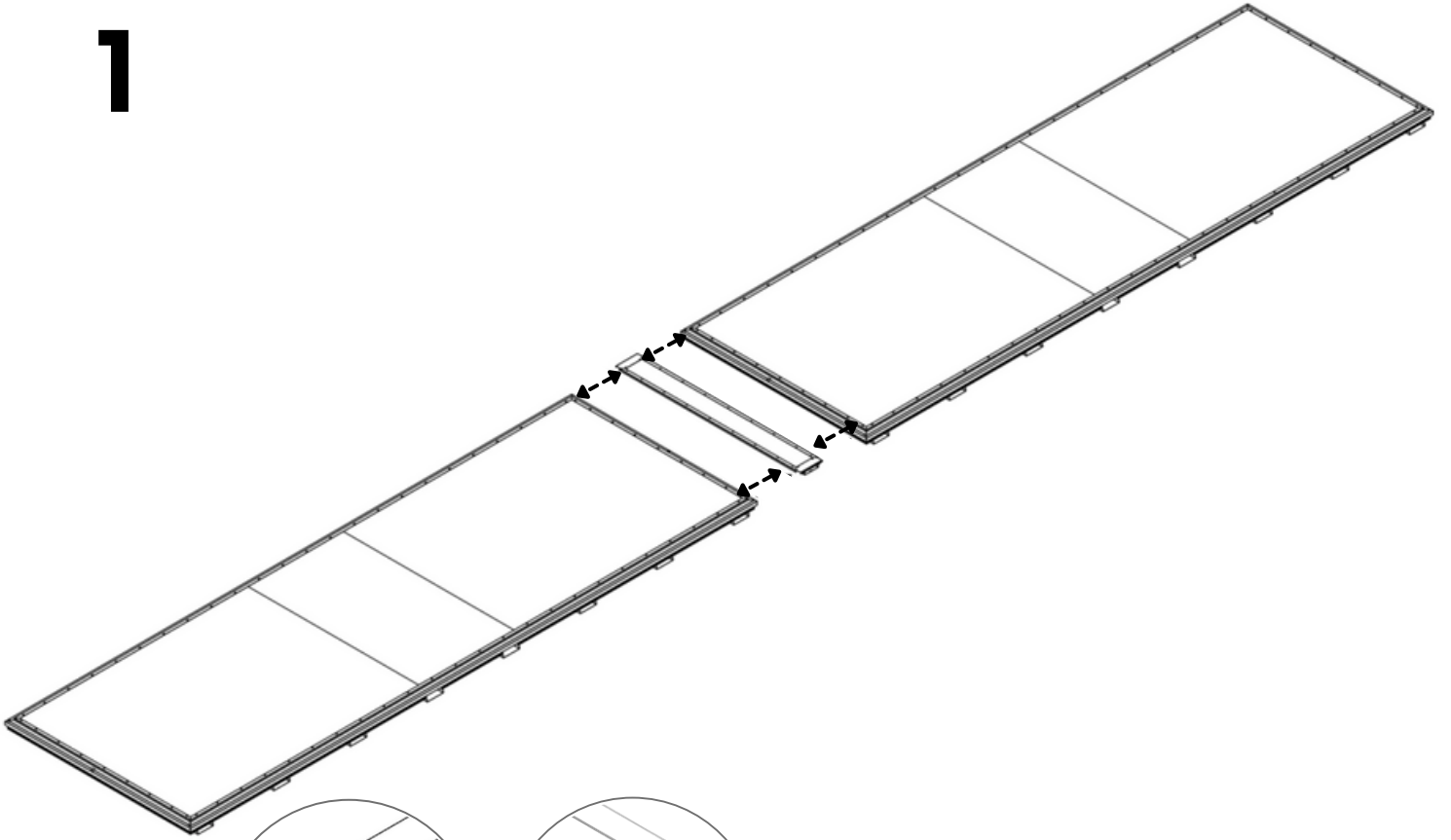
1x



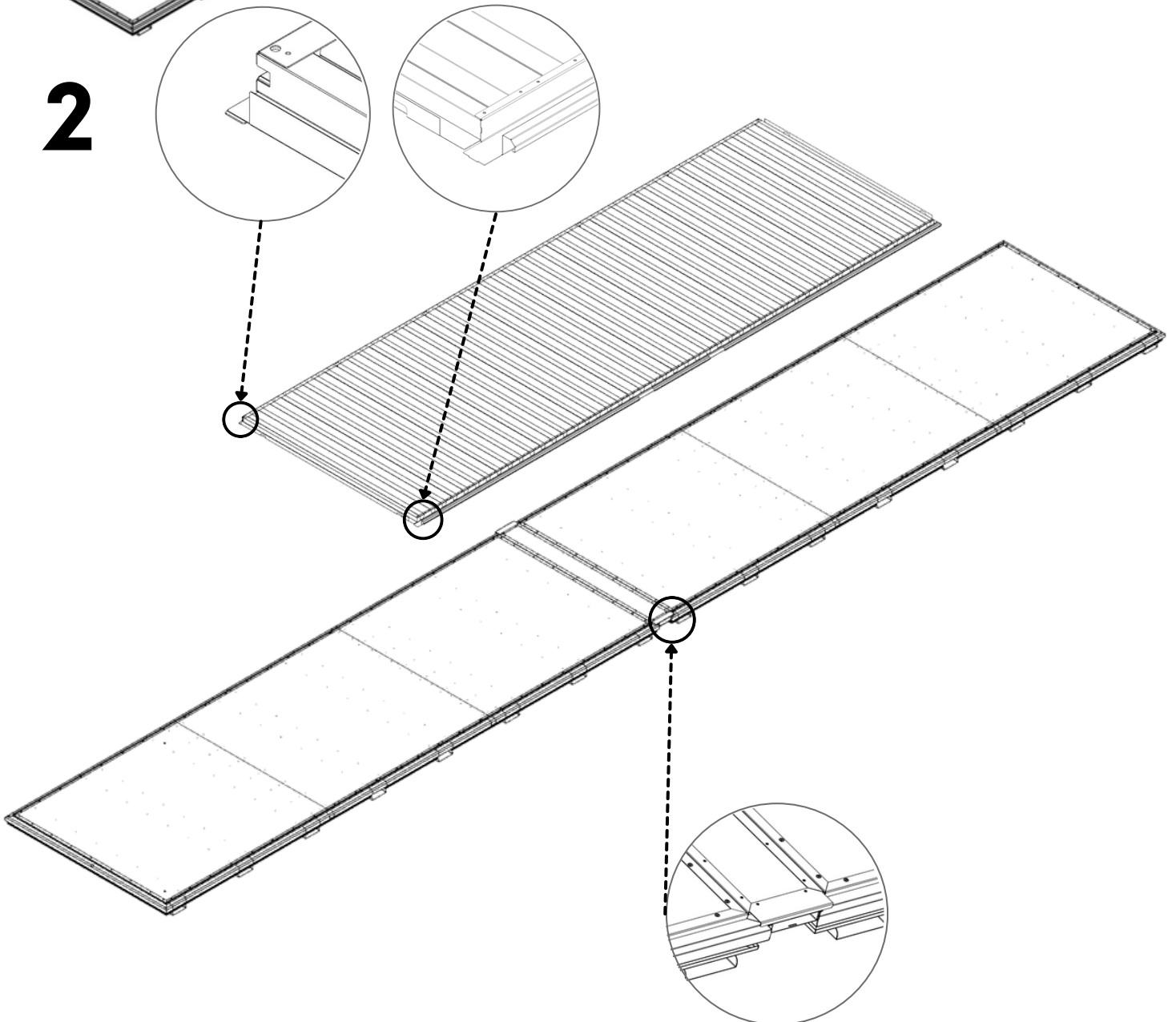
2x

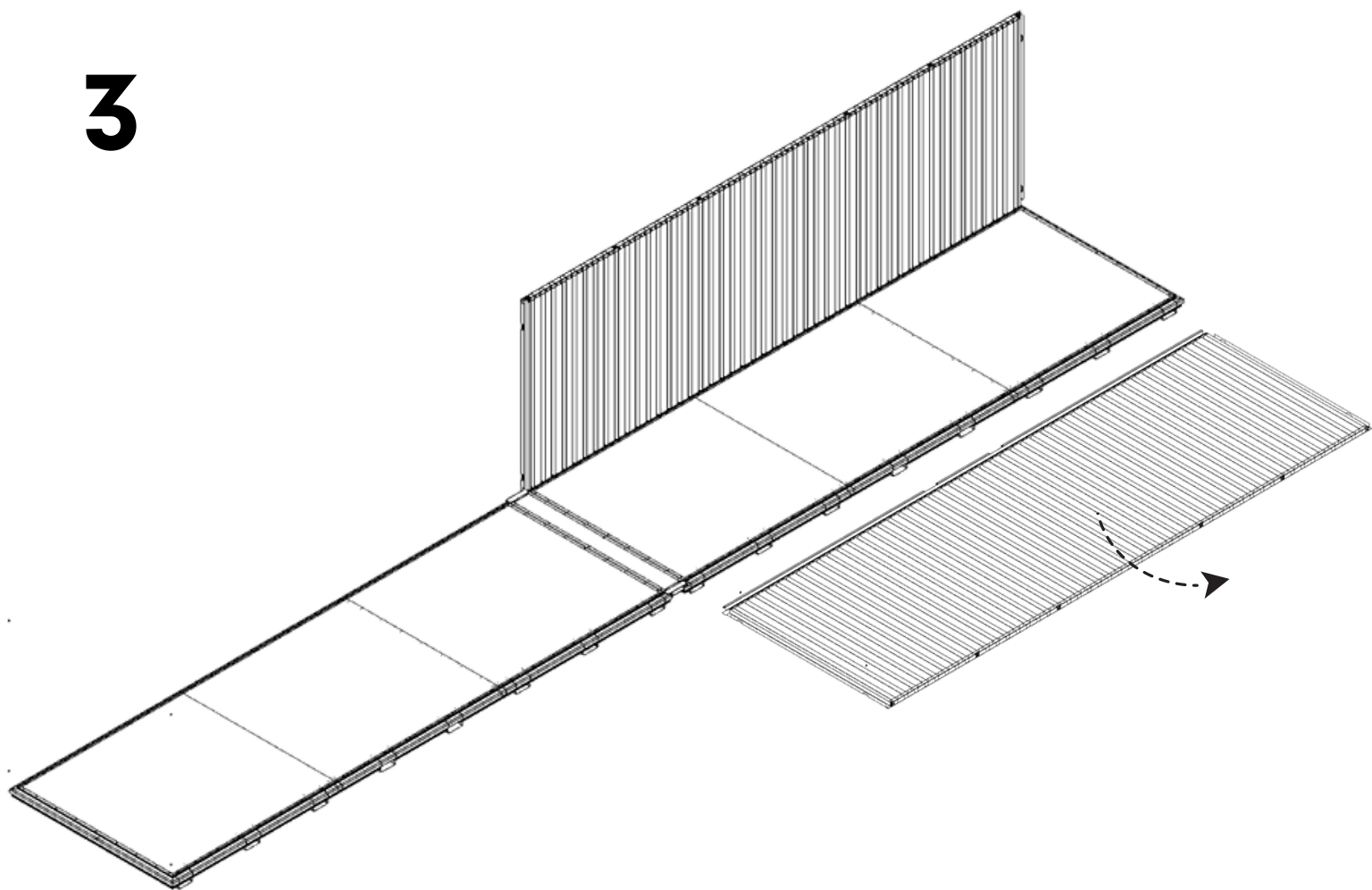
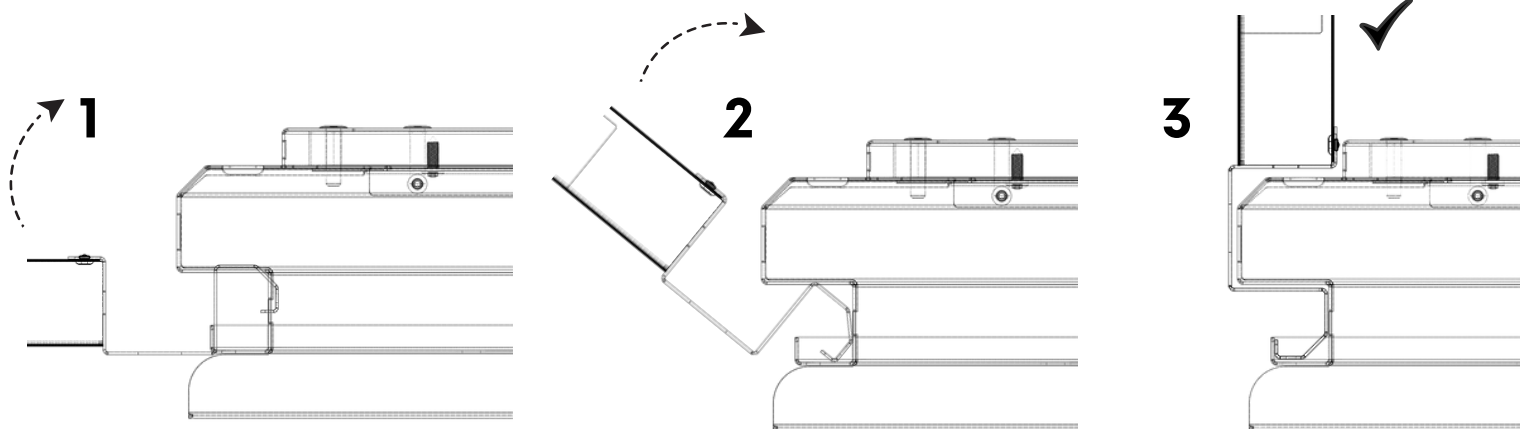


1

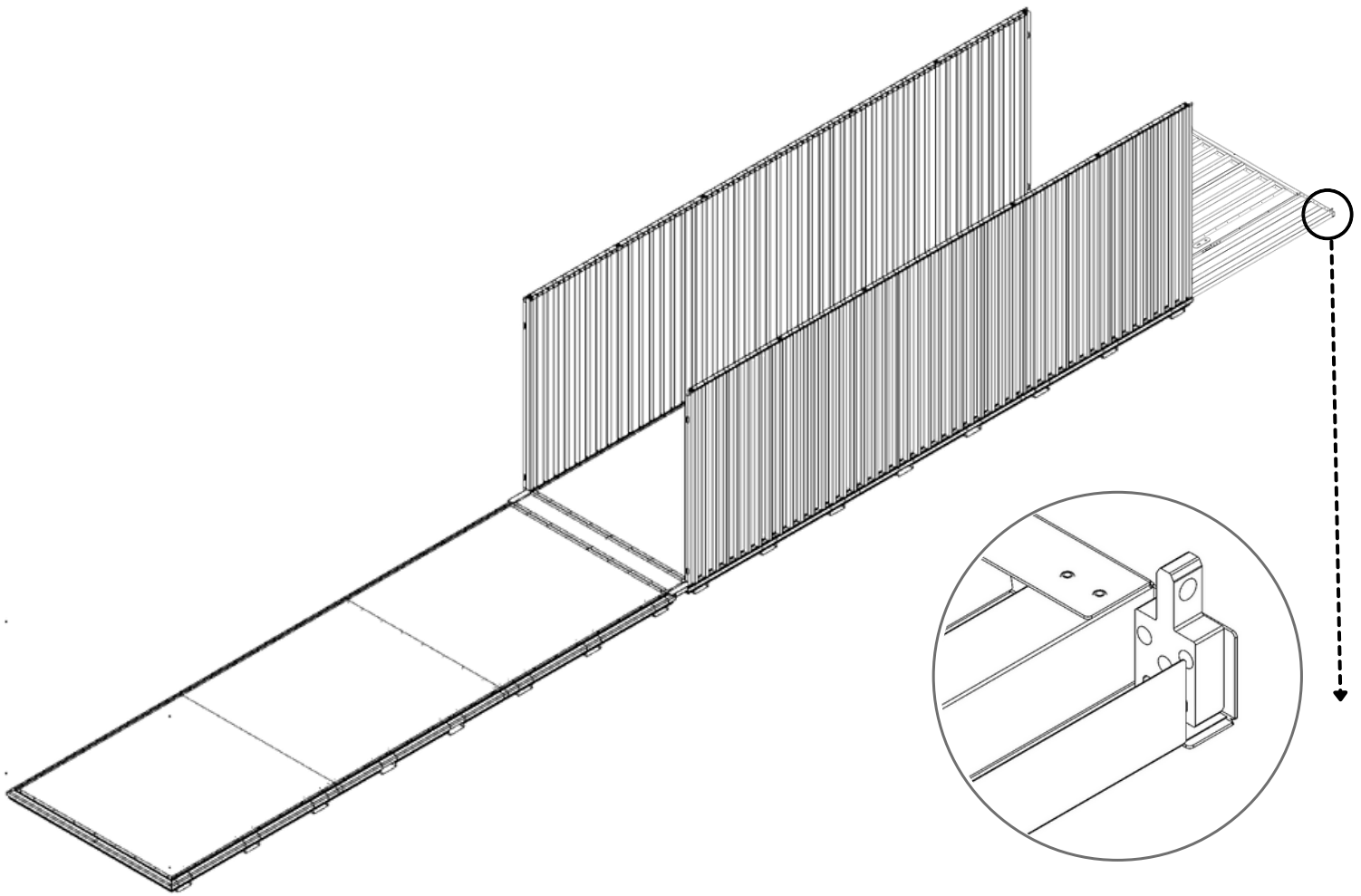


2

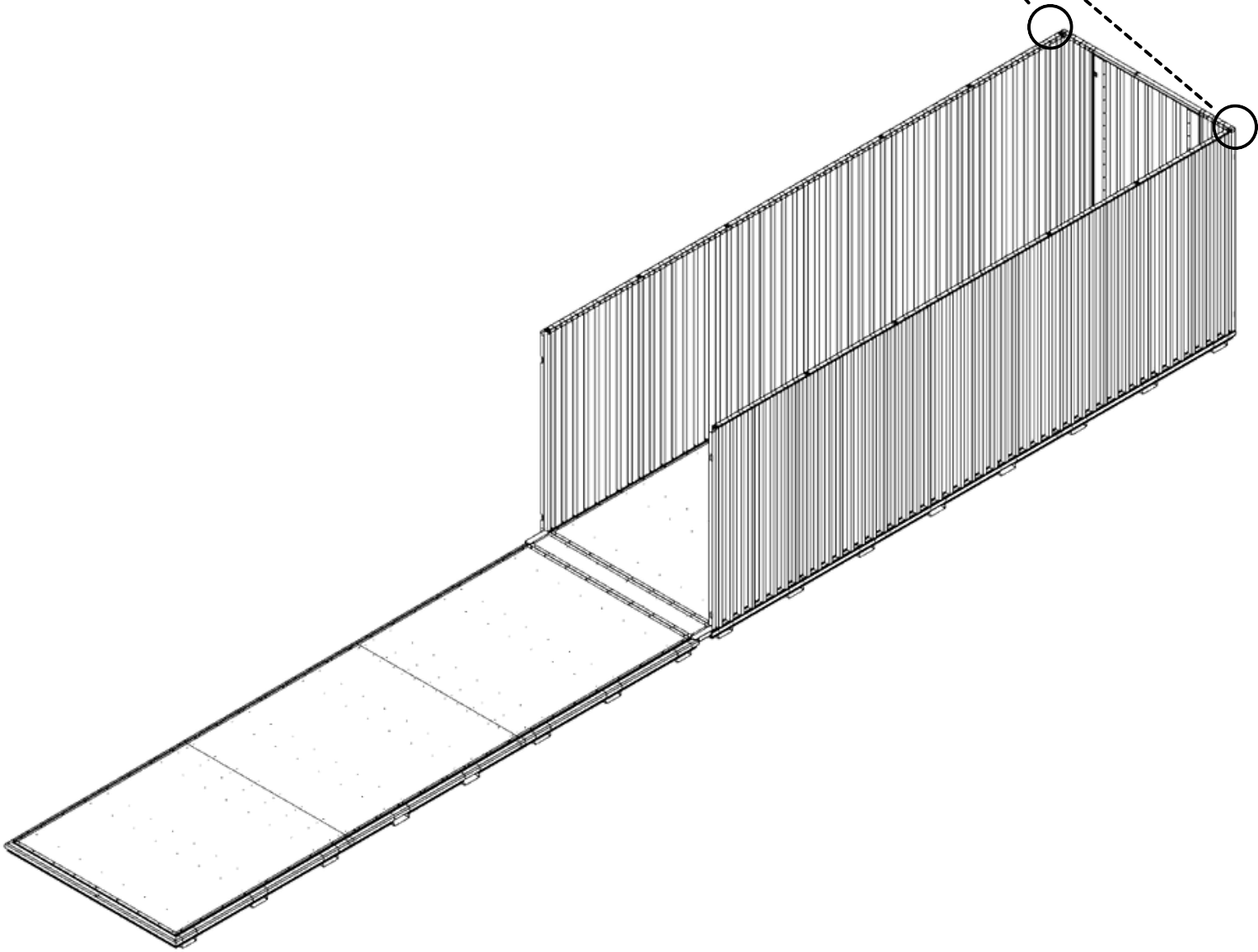
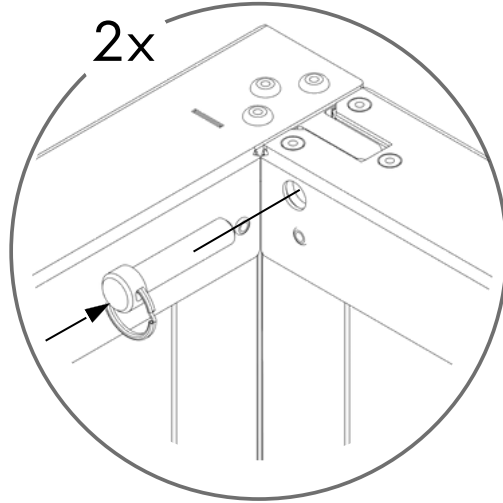




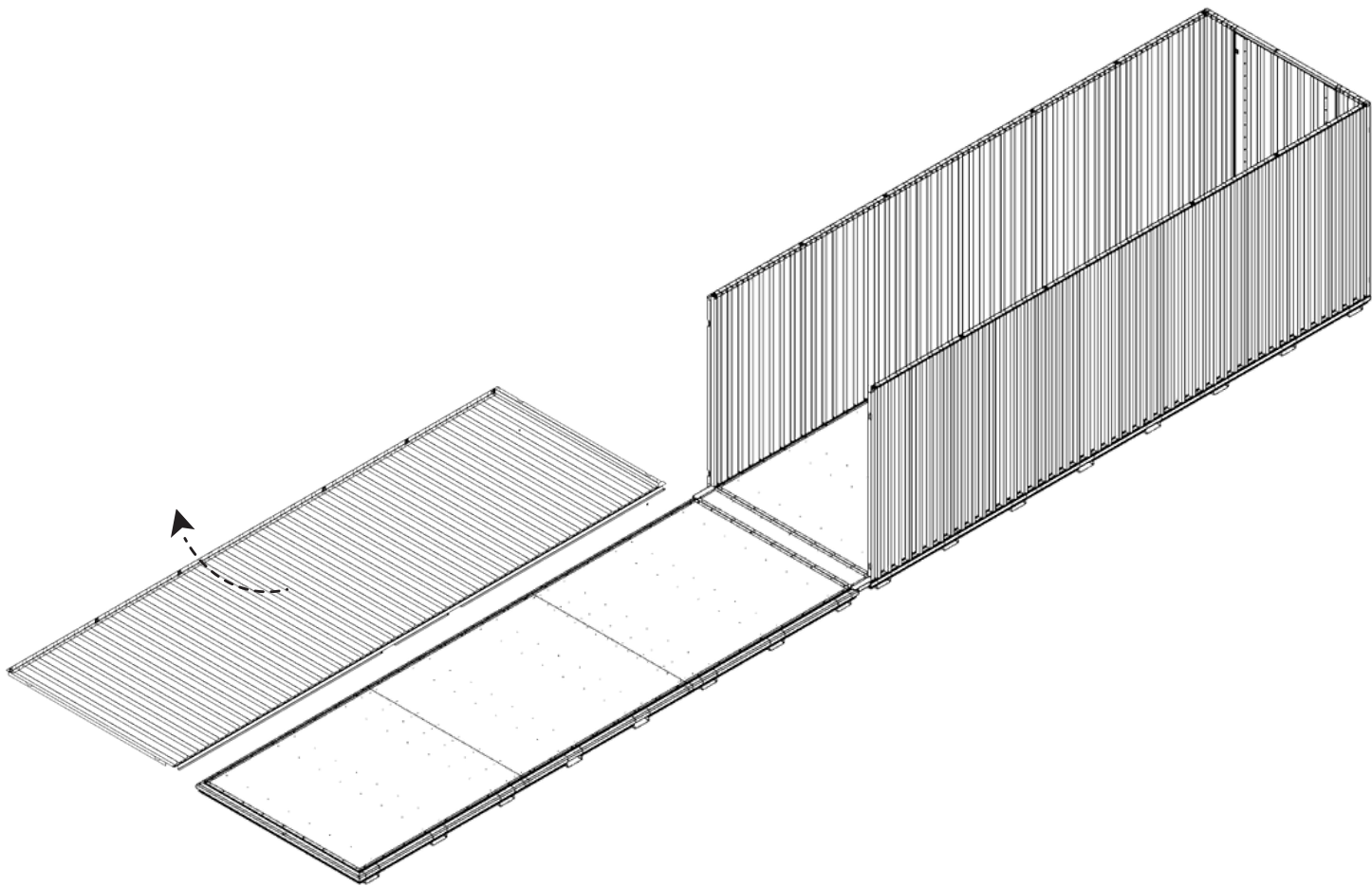
4



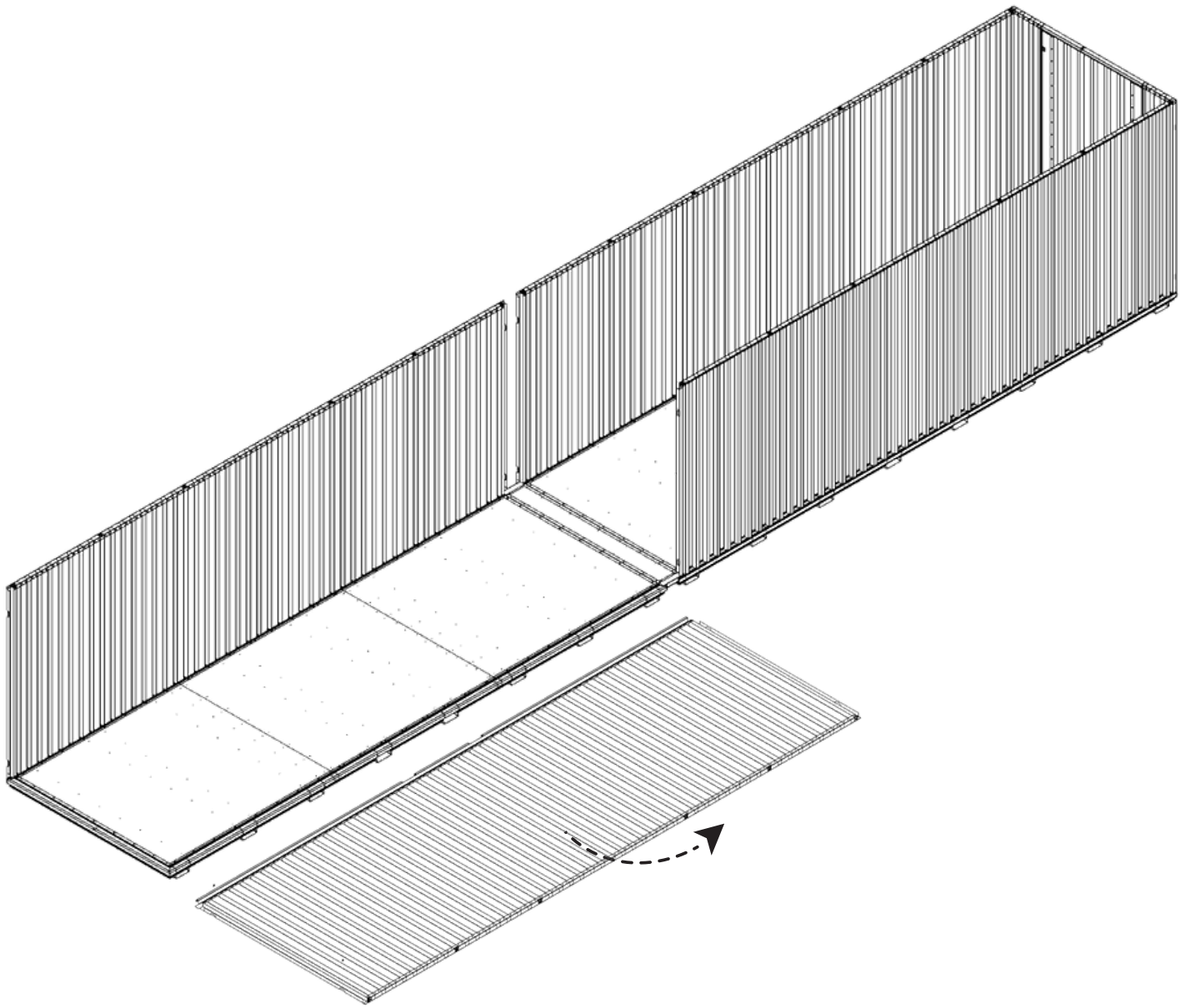
4.1



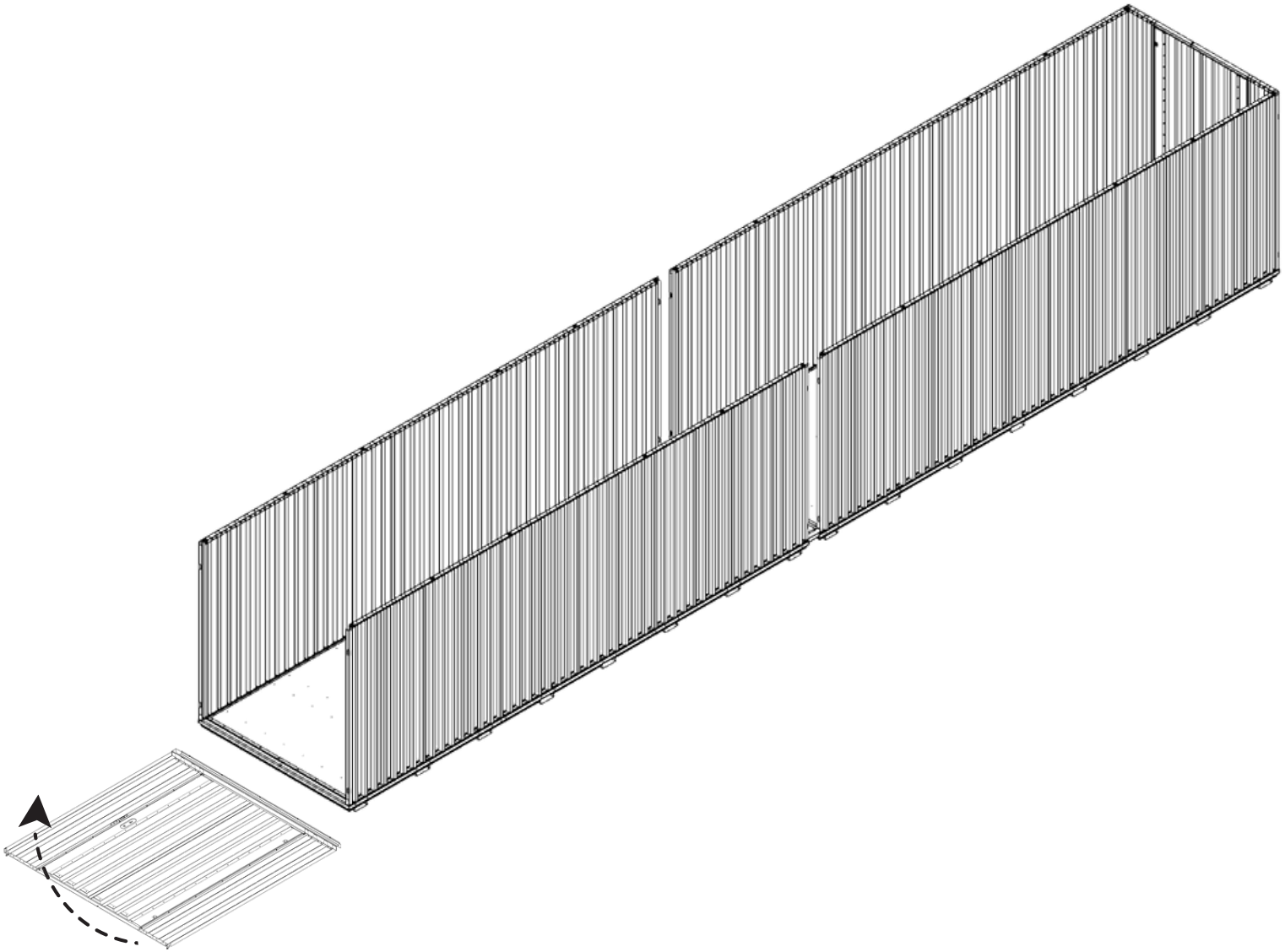
5



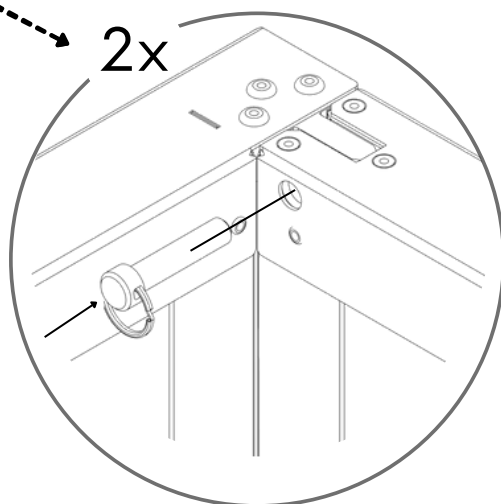
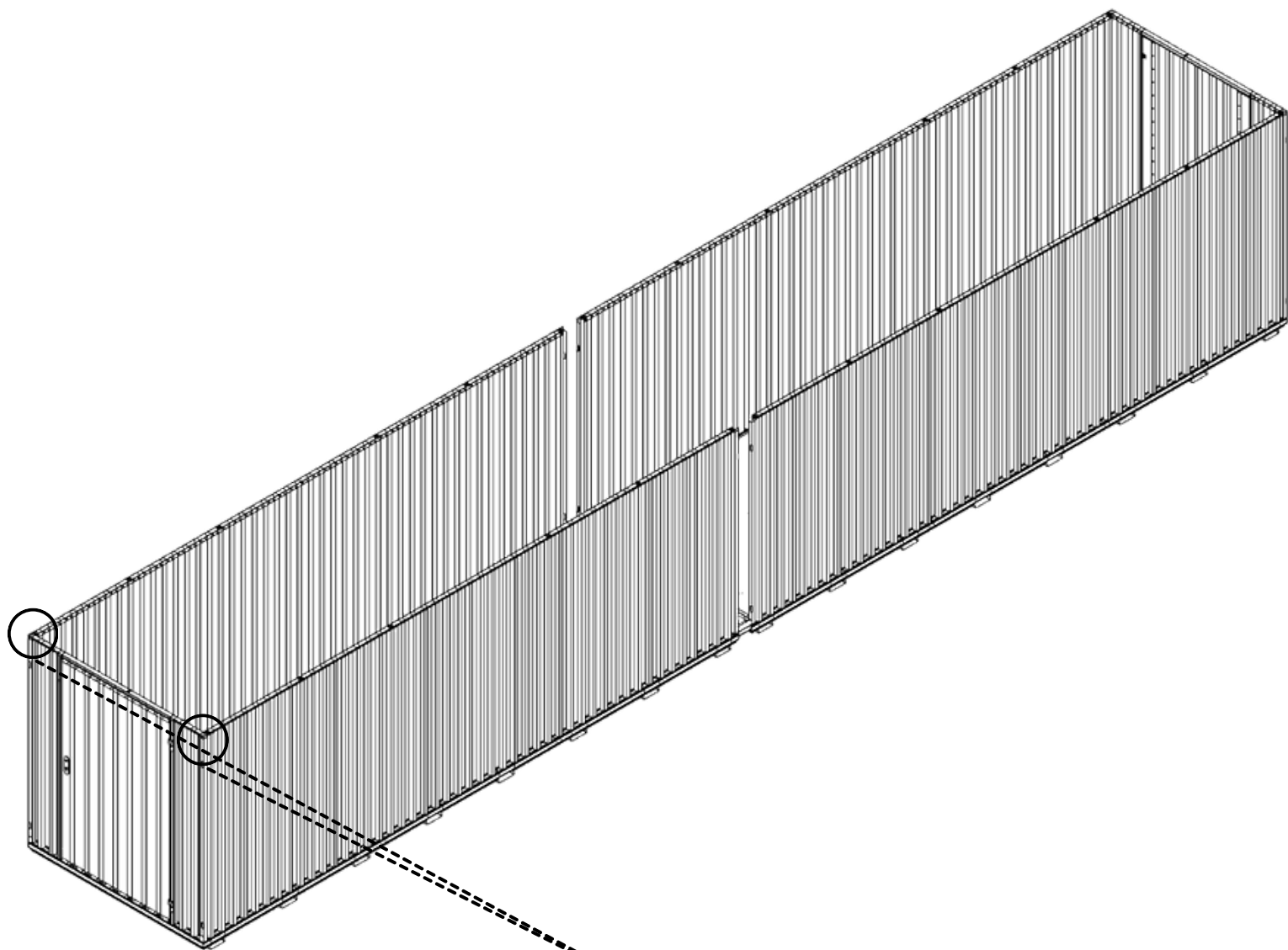
6



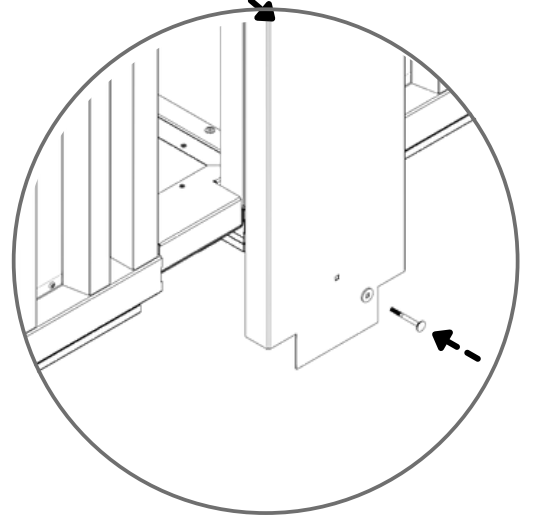
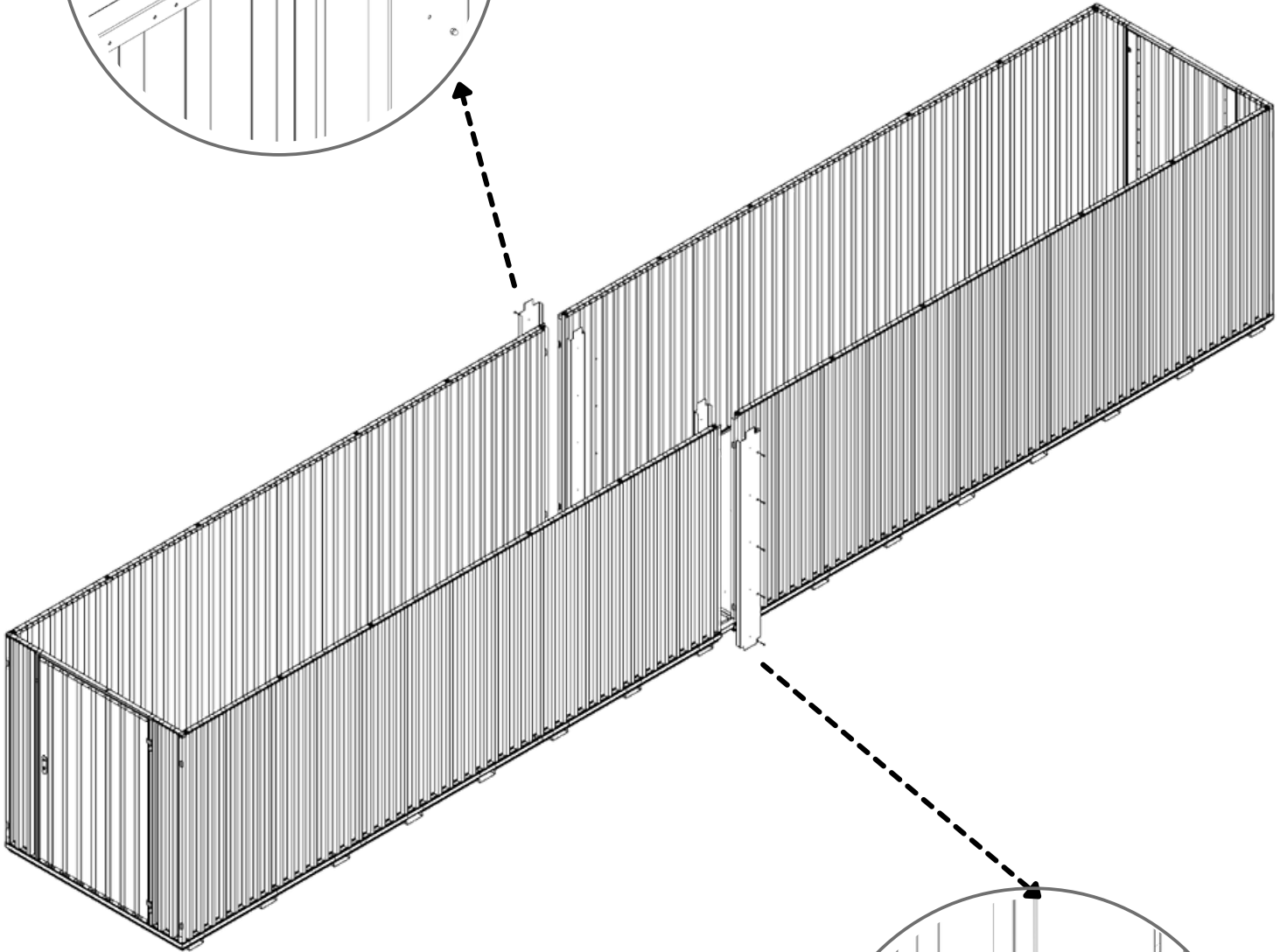
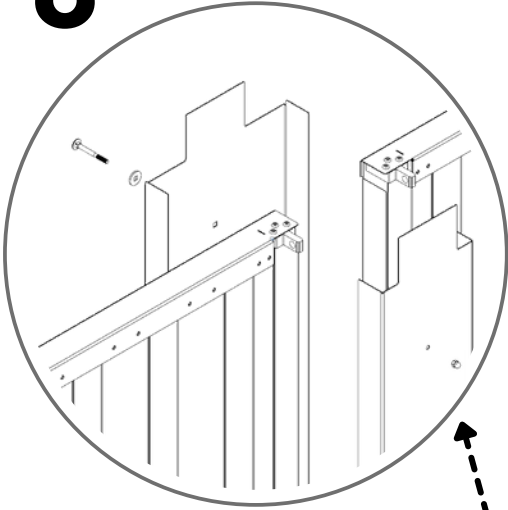
7



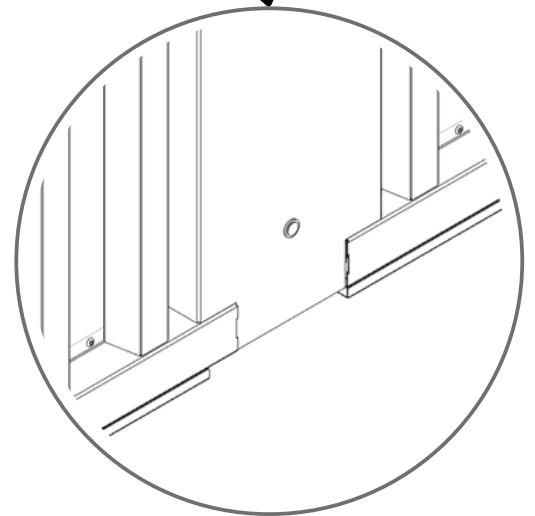
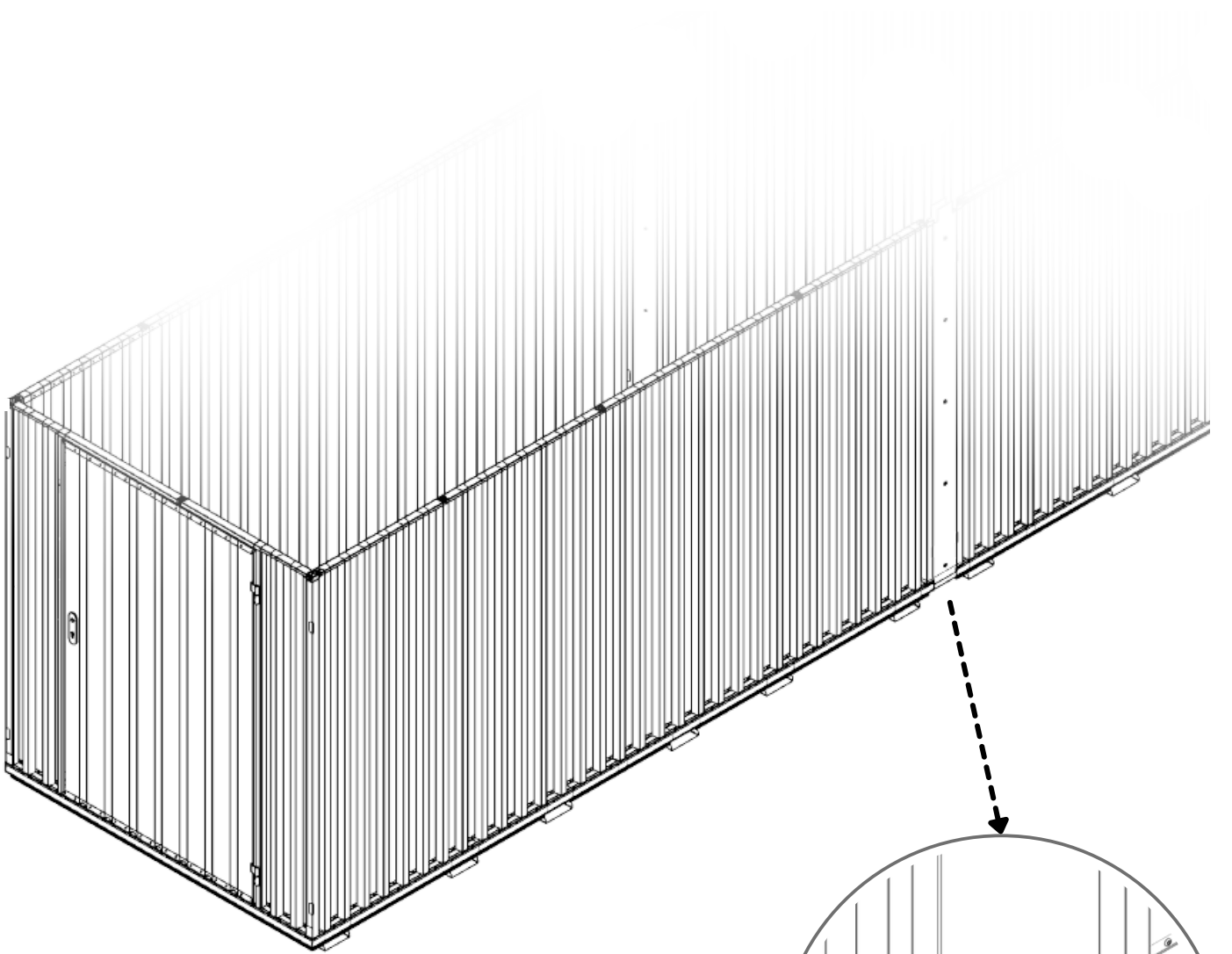
7.1



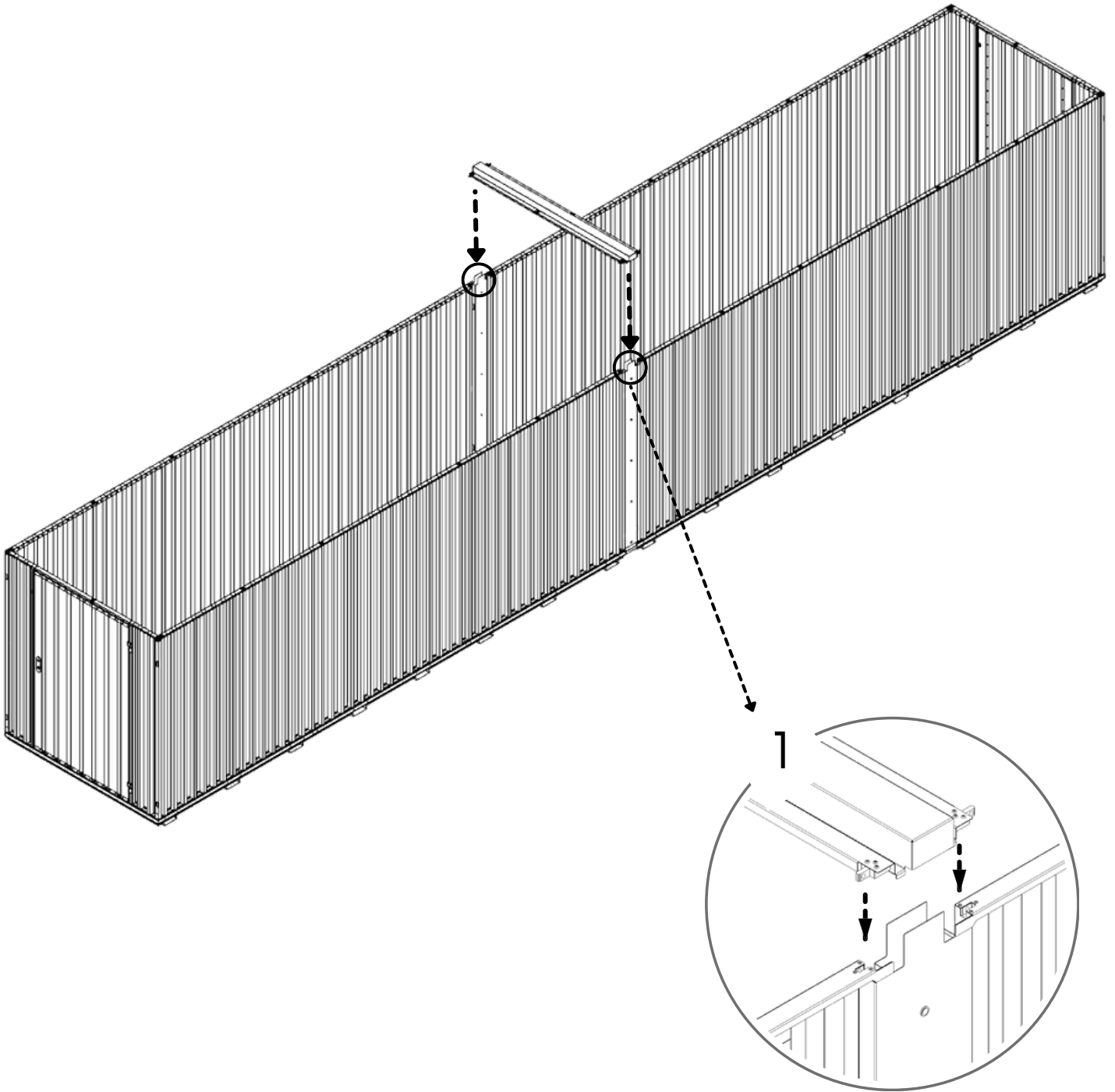
8



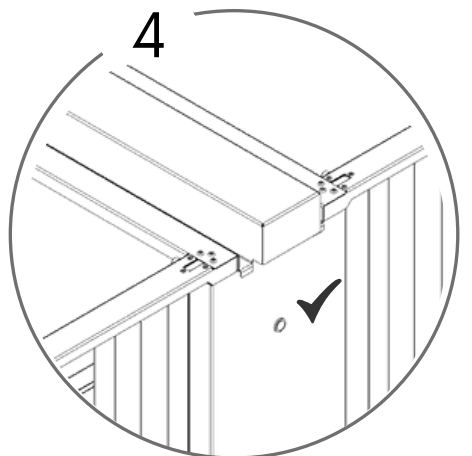
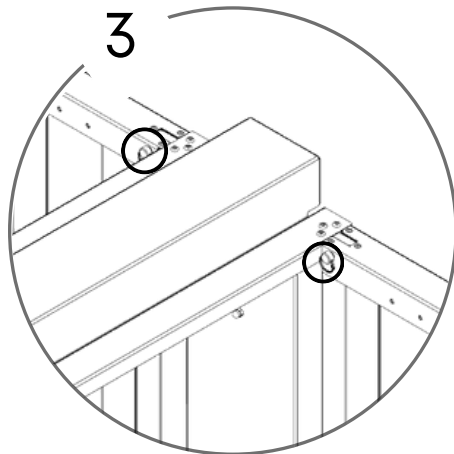
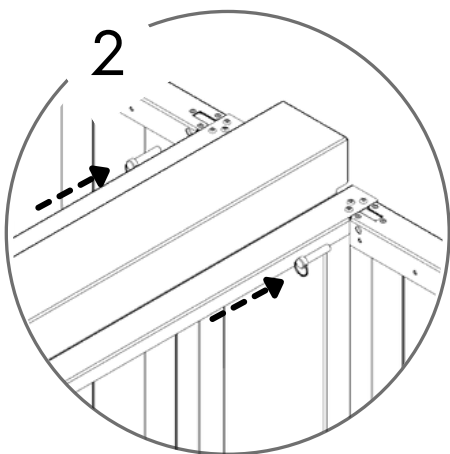
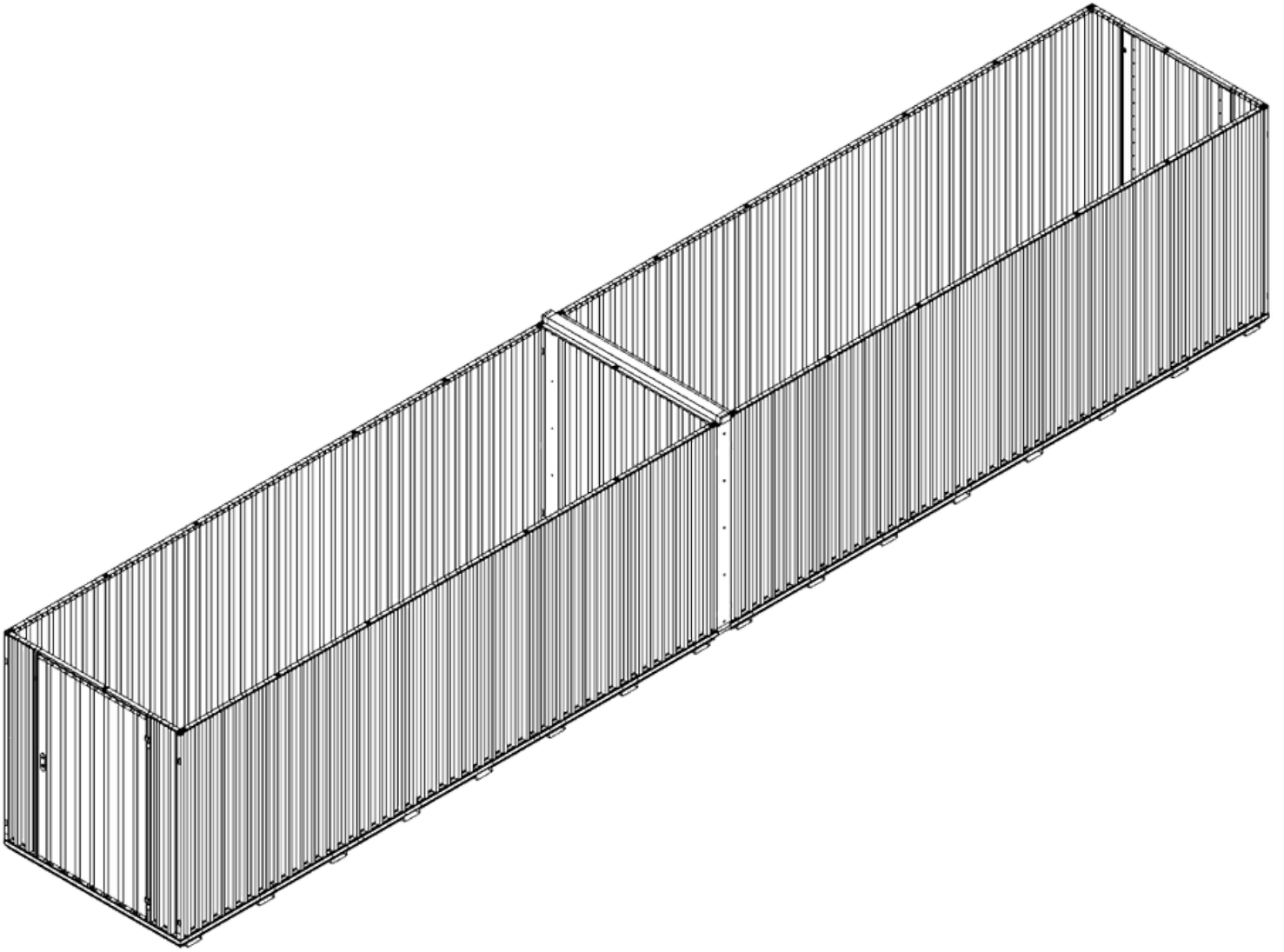
9











10

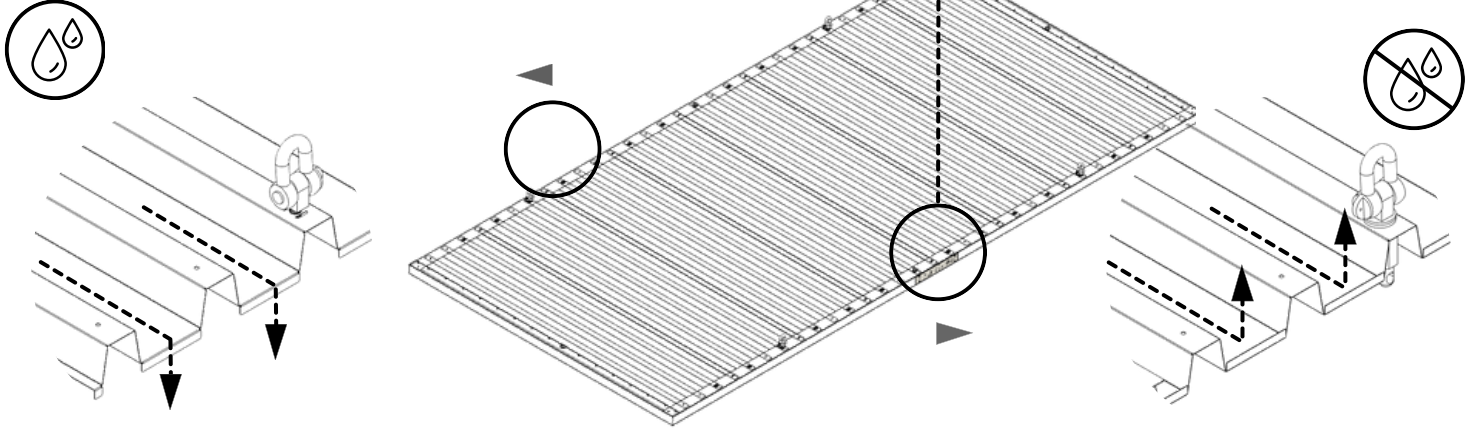


11

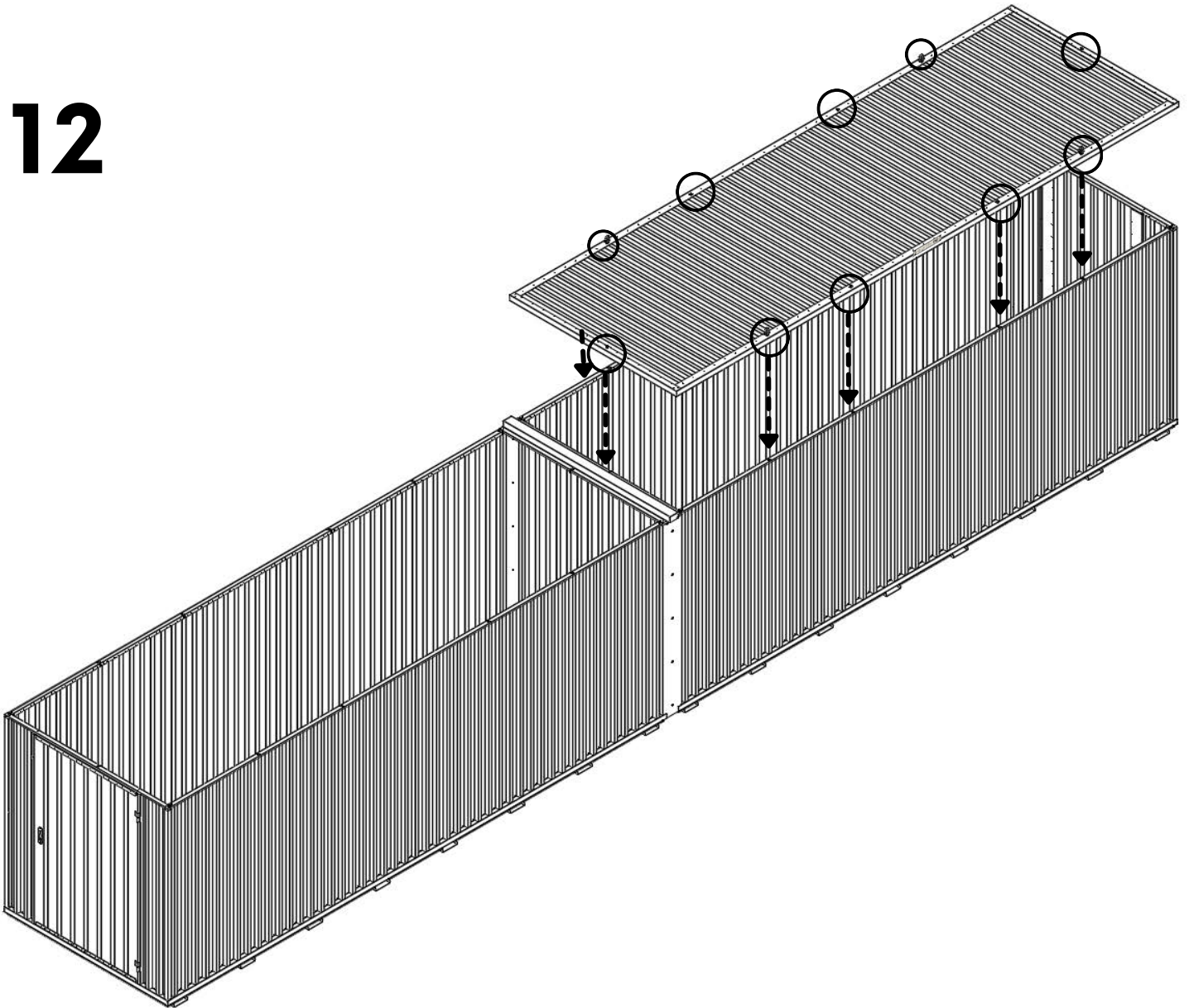




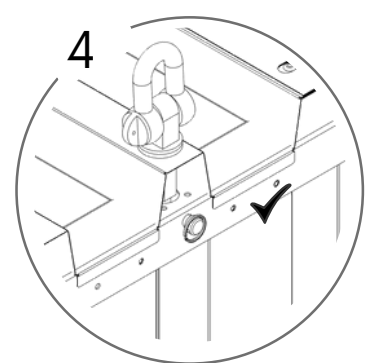
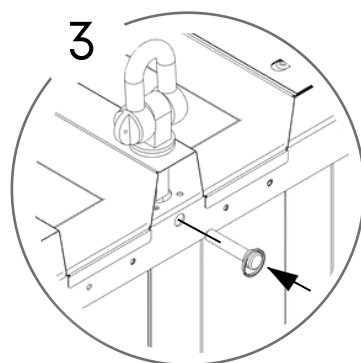
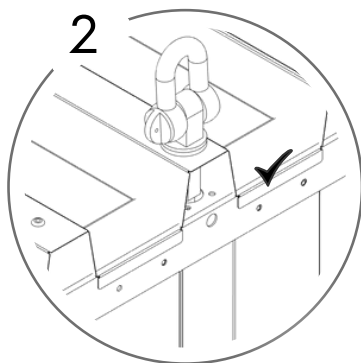
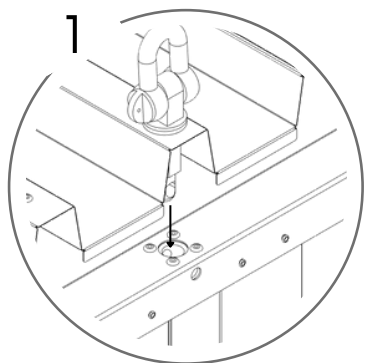
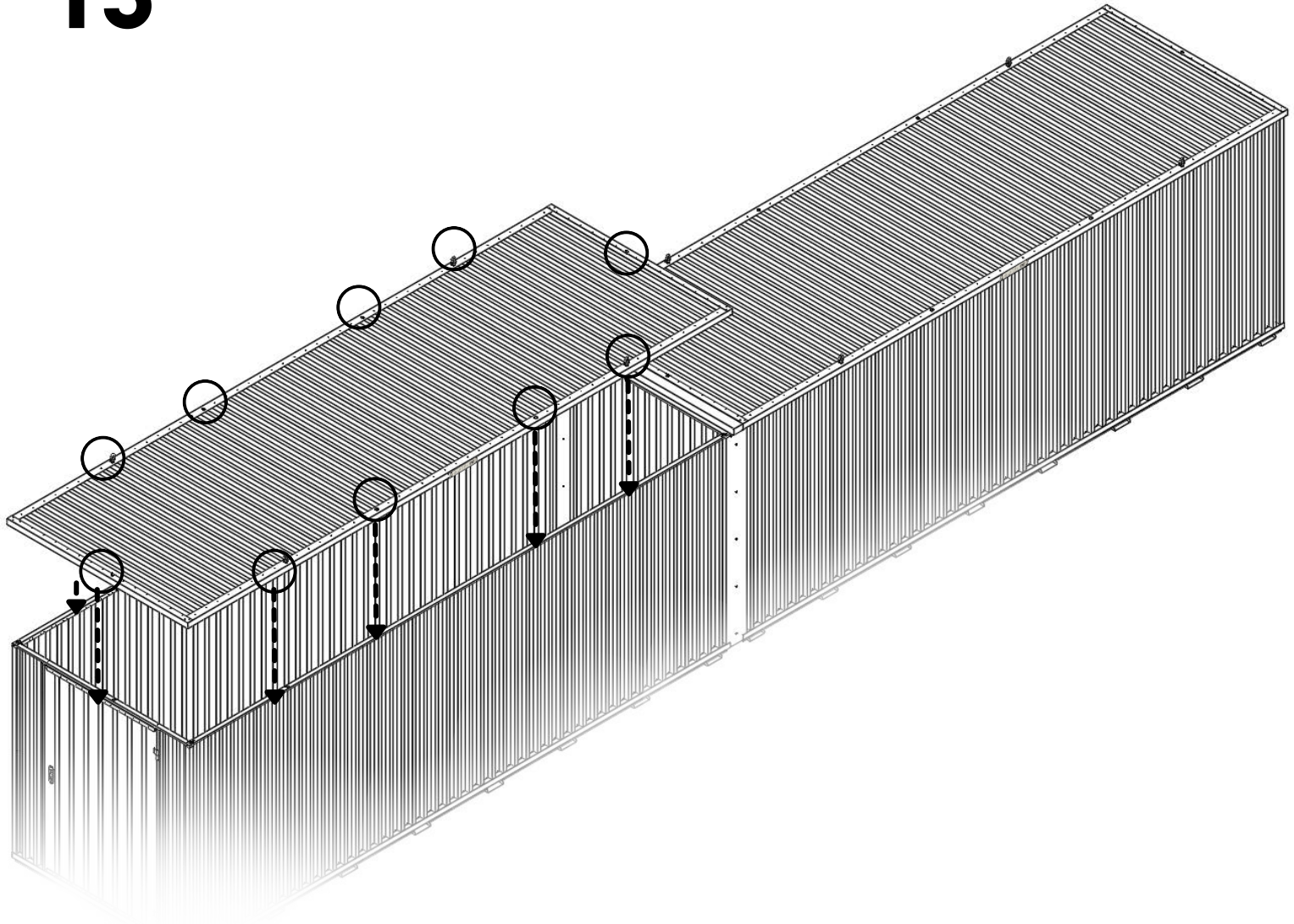
 1129 KG	 1640 MM	Model Code: 6060.110.320.321 Production Tracking Code:/X09.1.6060.320.321	 9001	 14001	 50001			
--	--	---	---	--	---	---	---	---



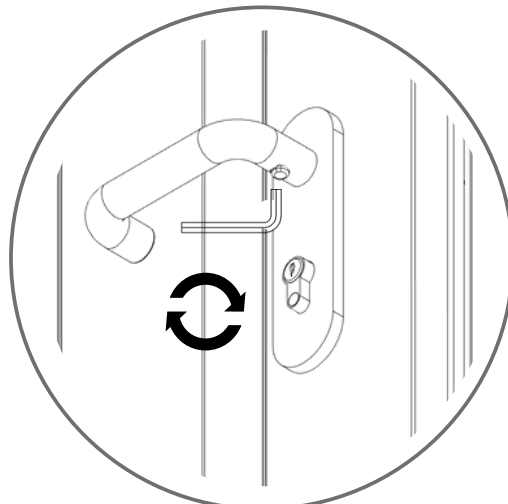
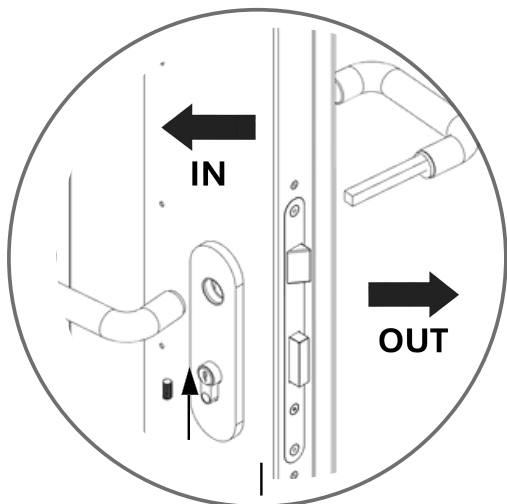
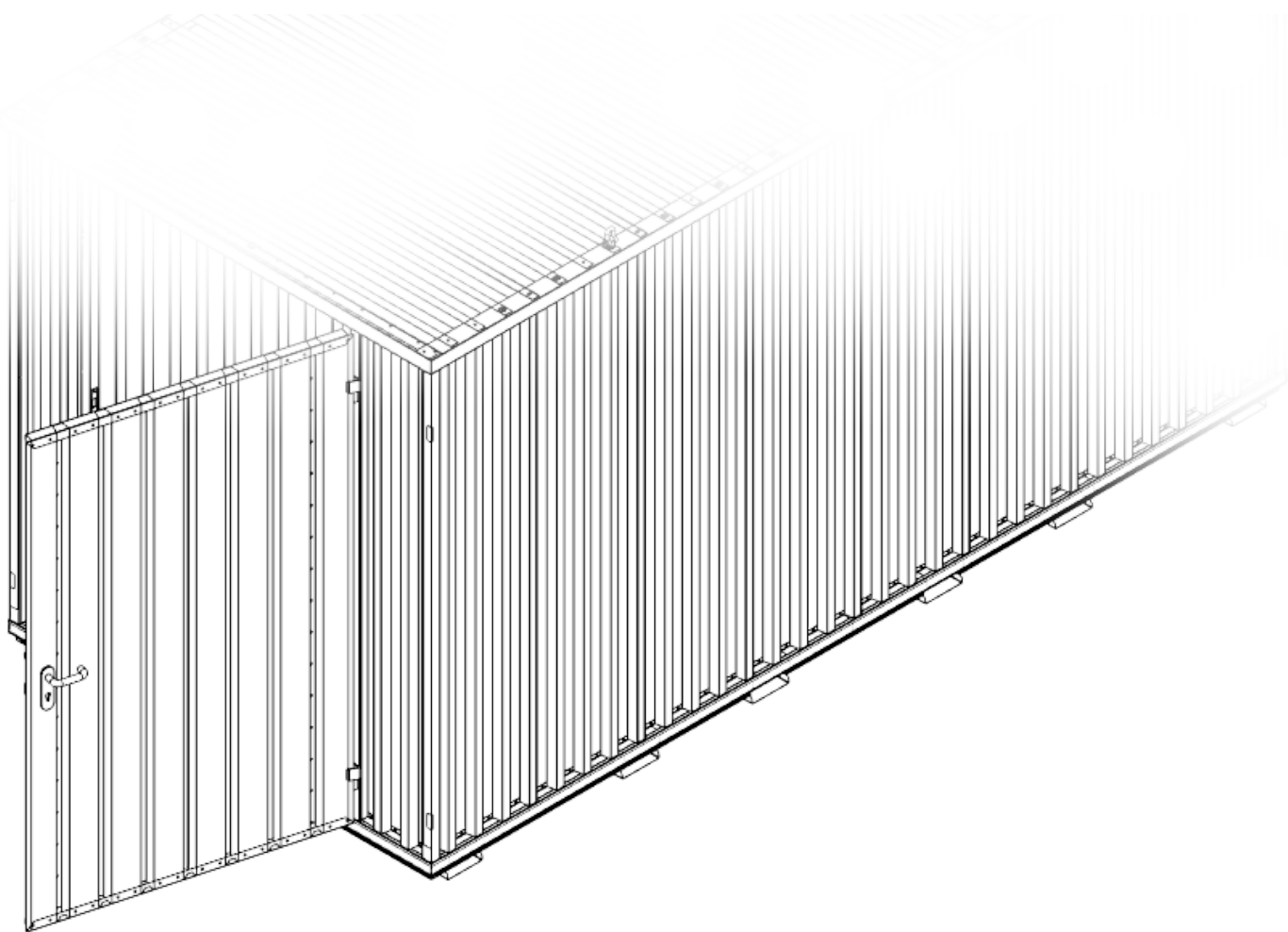
12



13



14



15

