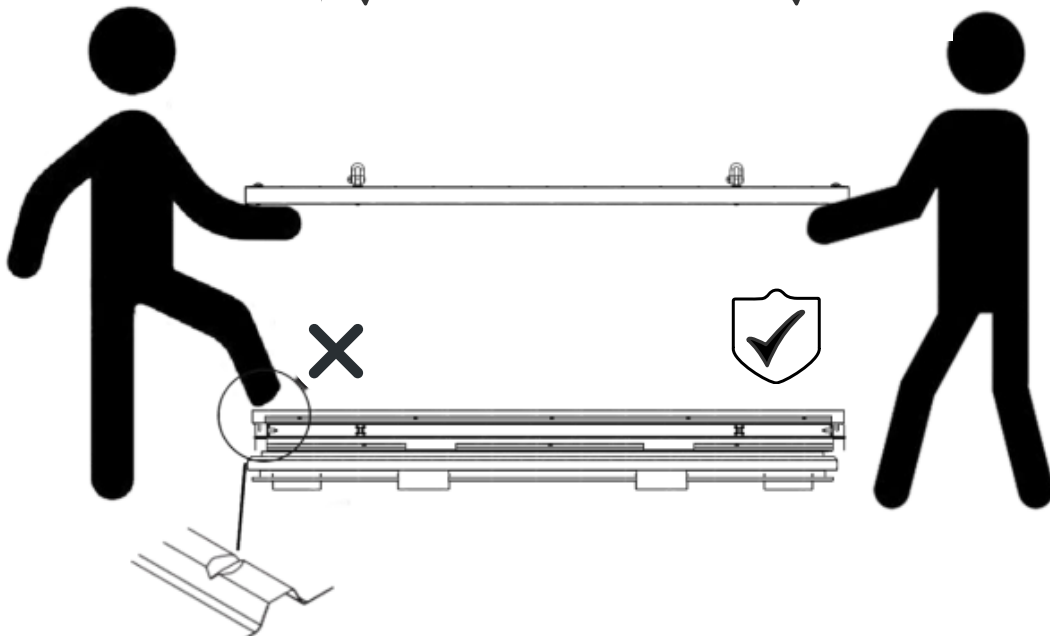
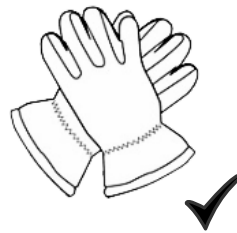
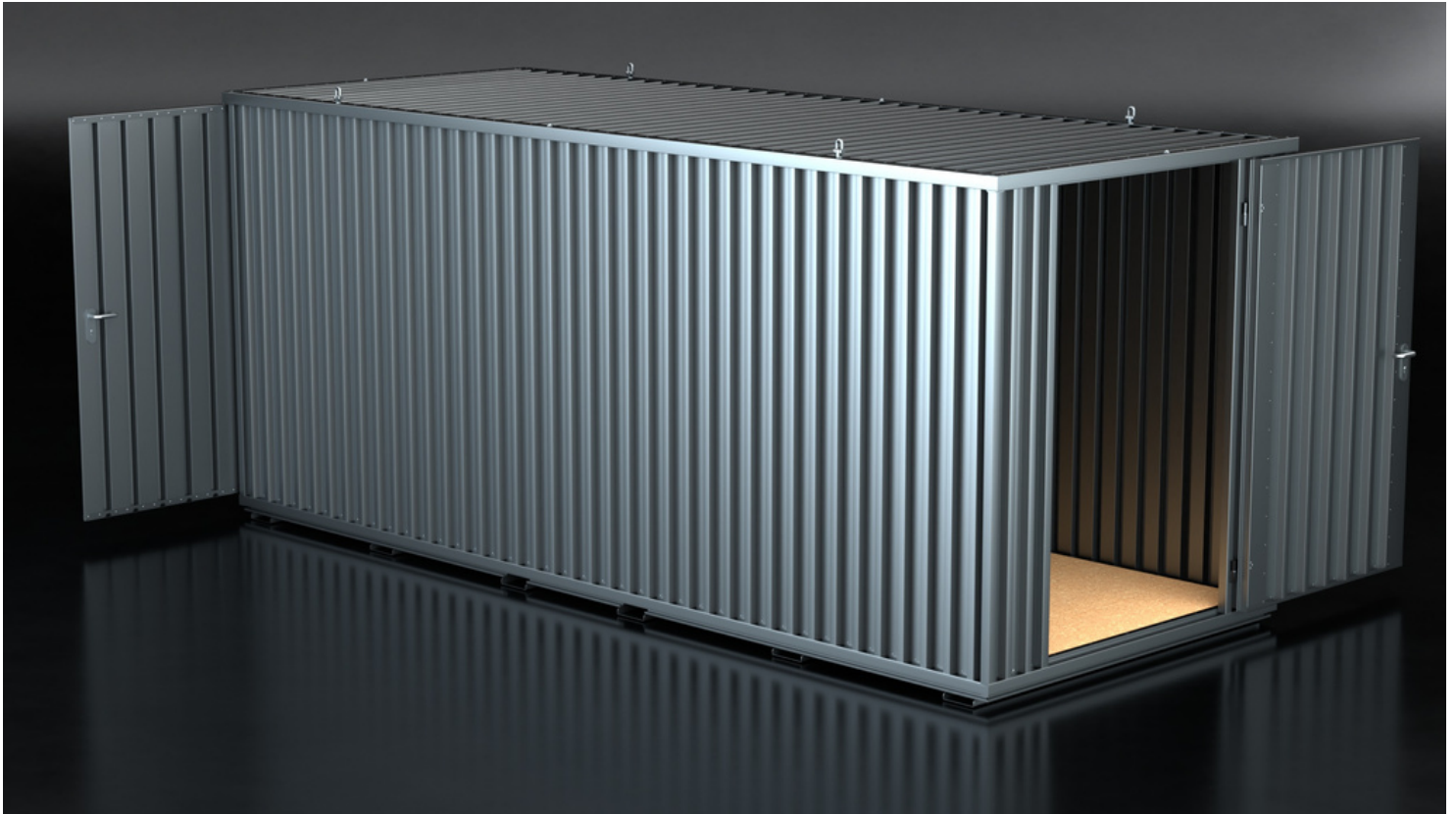


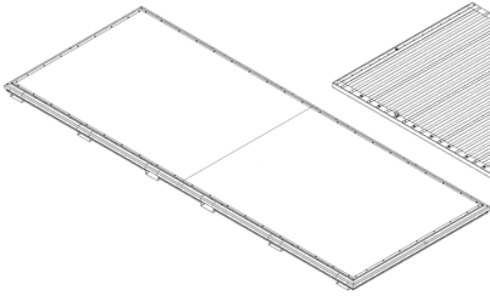
PRODUCT CODE:50.110.320.321

**prefabase**  
Quick Build Solutions

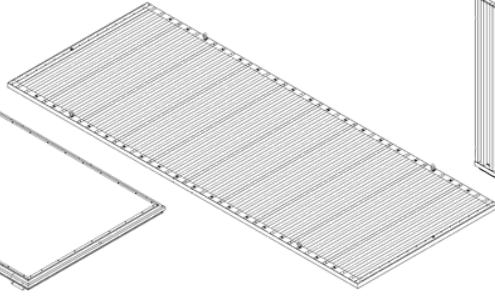
Instructions and User Guide



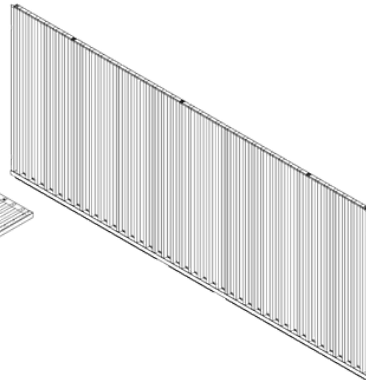
50.0110  
1x



50.0510  
1x



50.0410  
2x



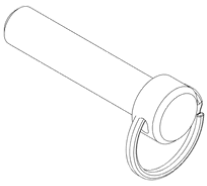
0320  
2x



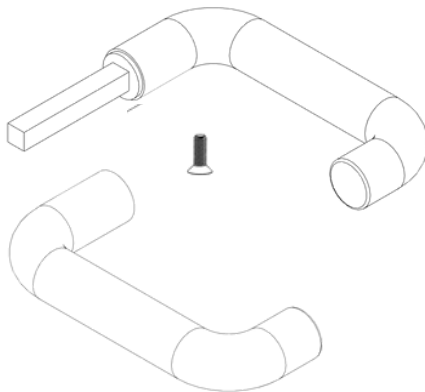
61.101  
4x



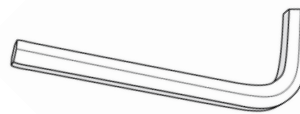
12x



2x



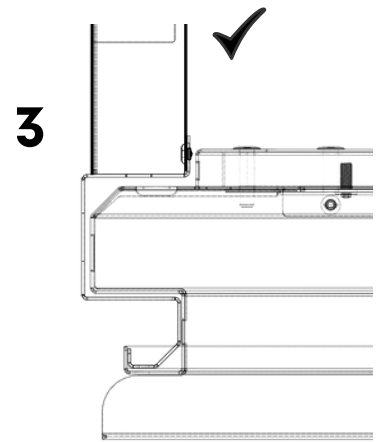
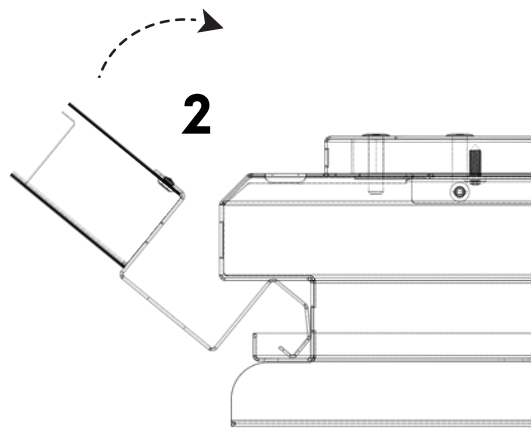
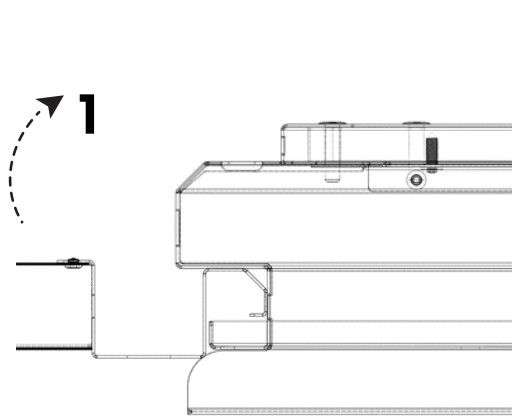
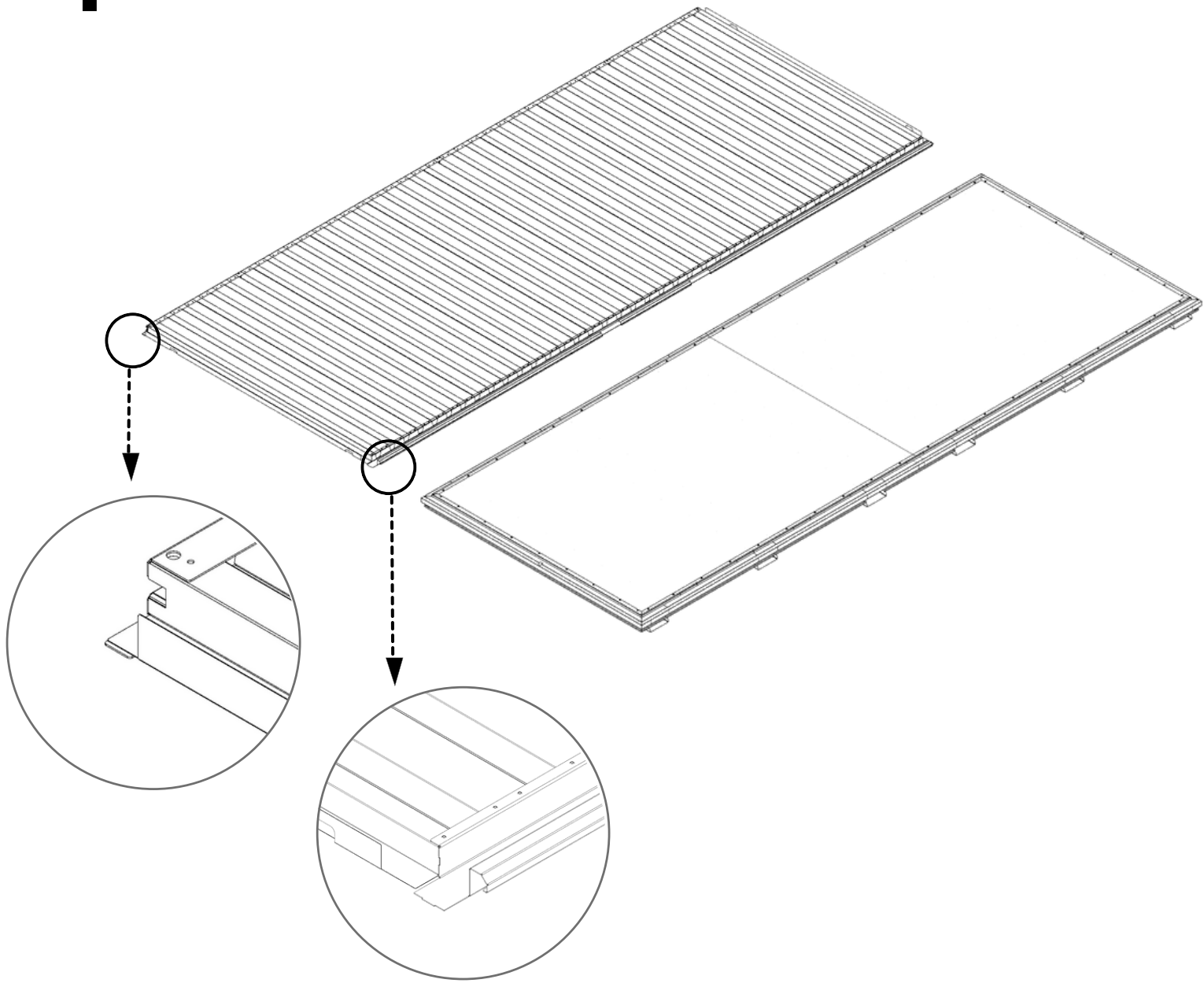
1x



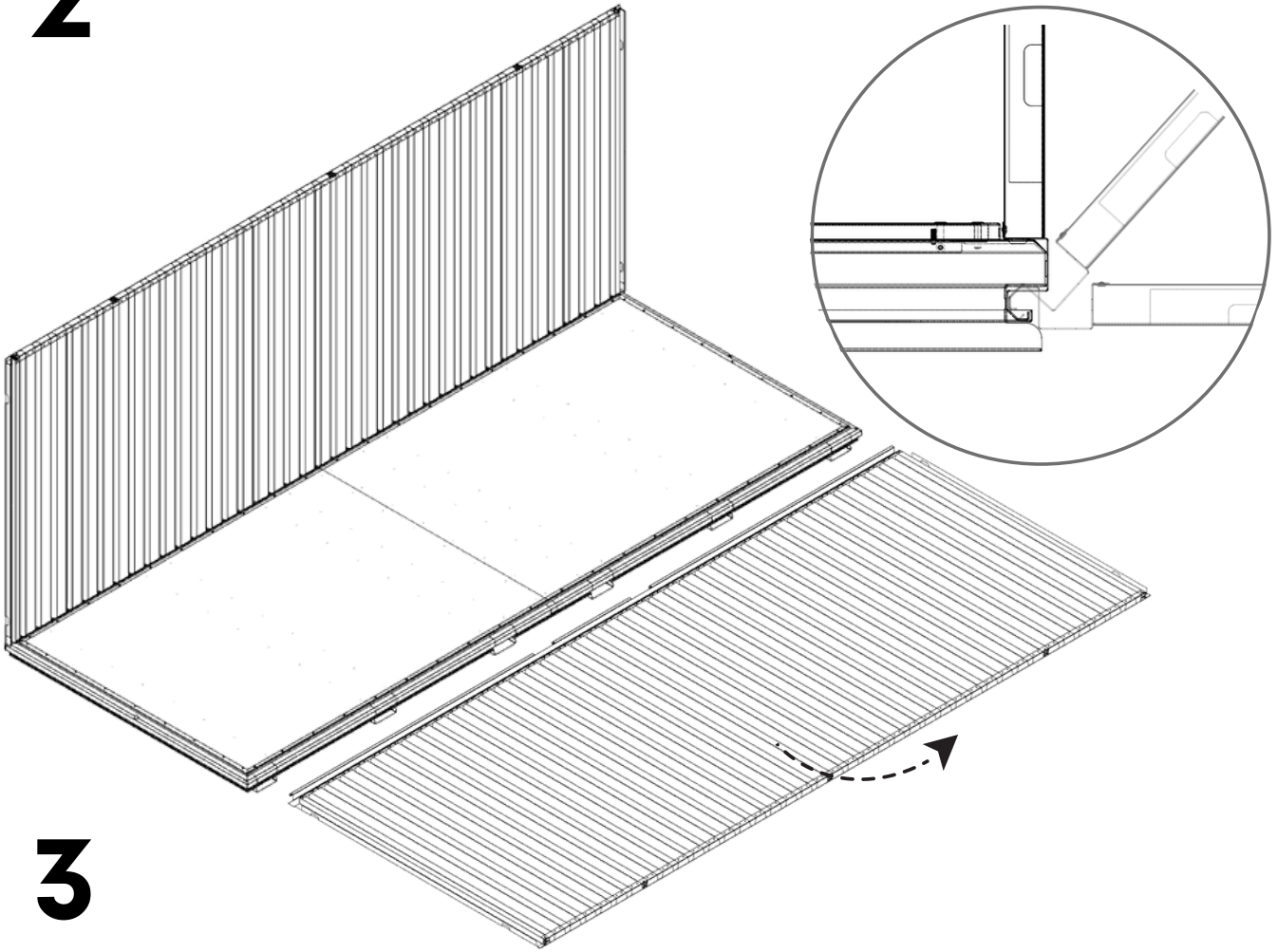
2x



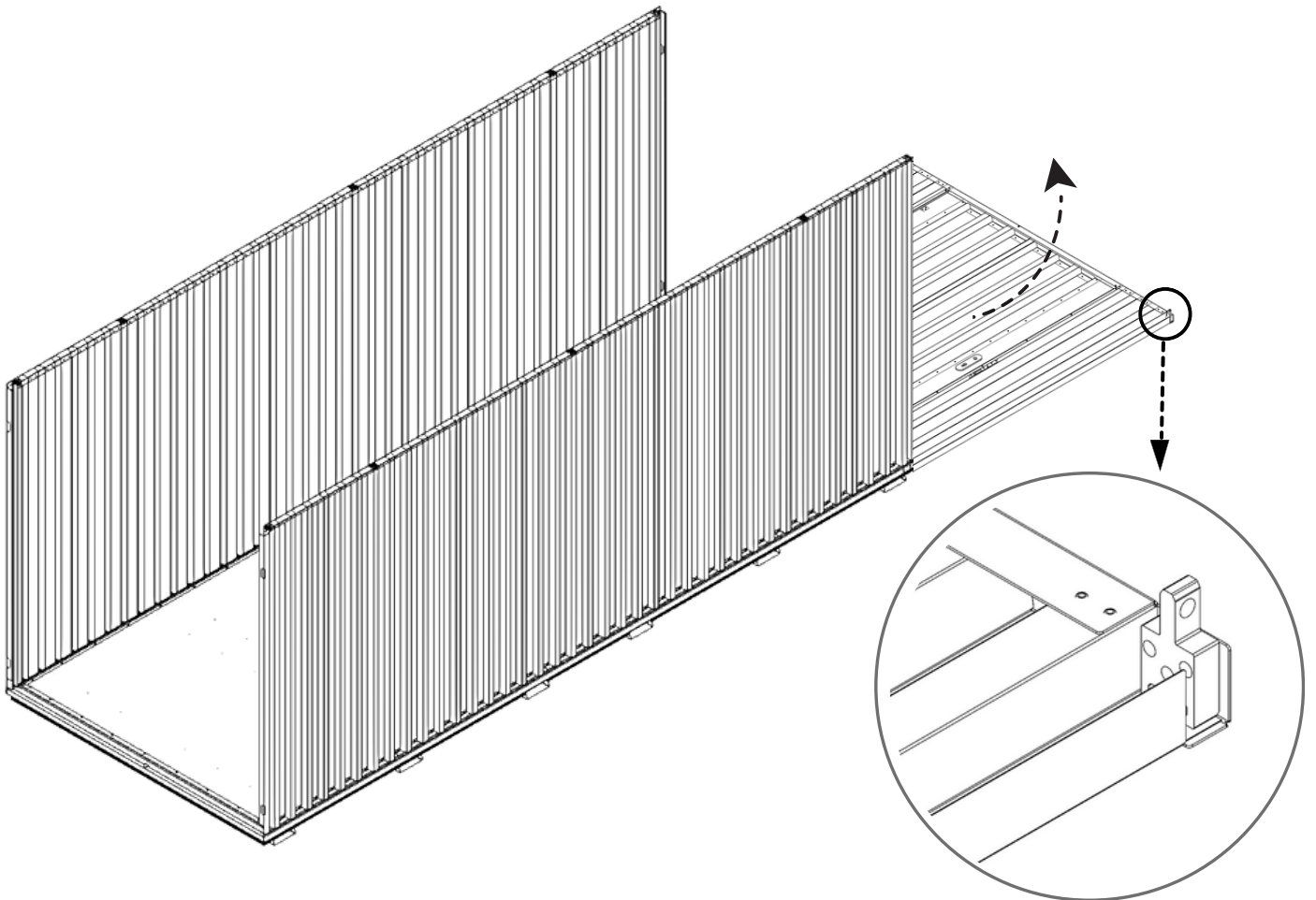
# 1



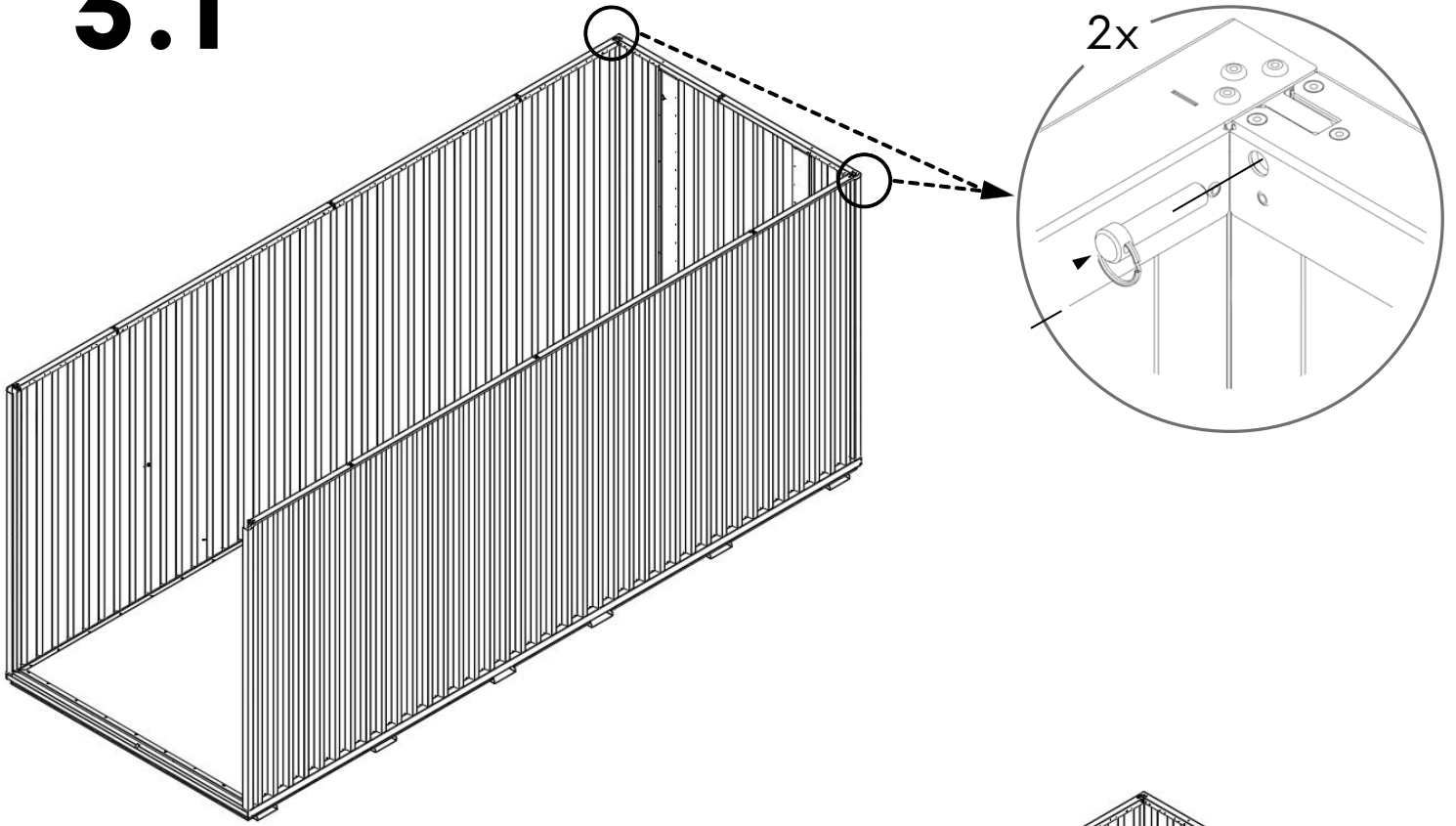
**2**



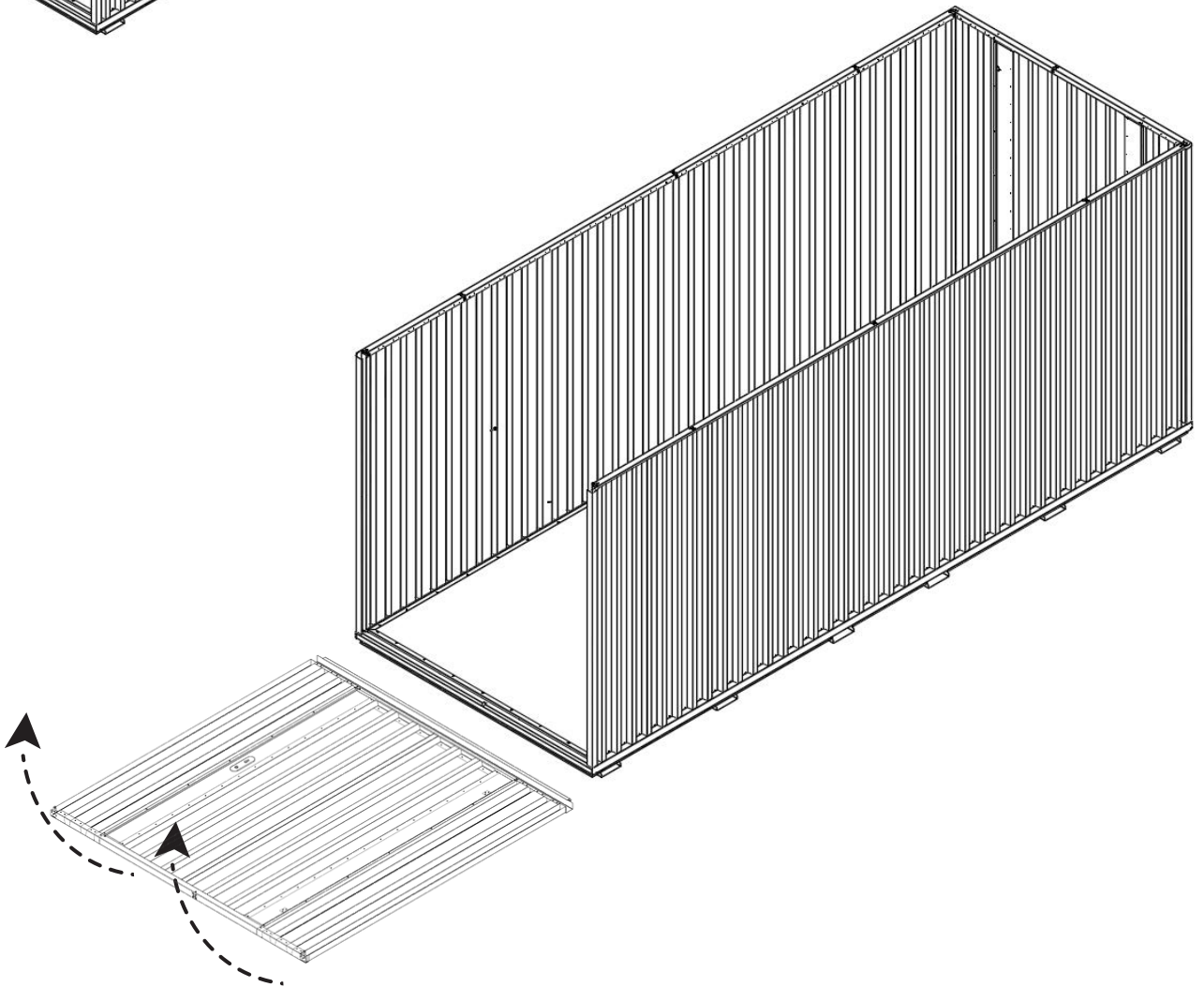
**3**



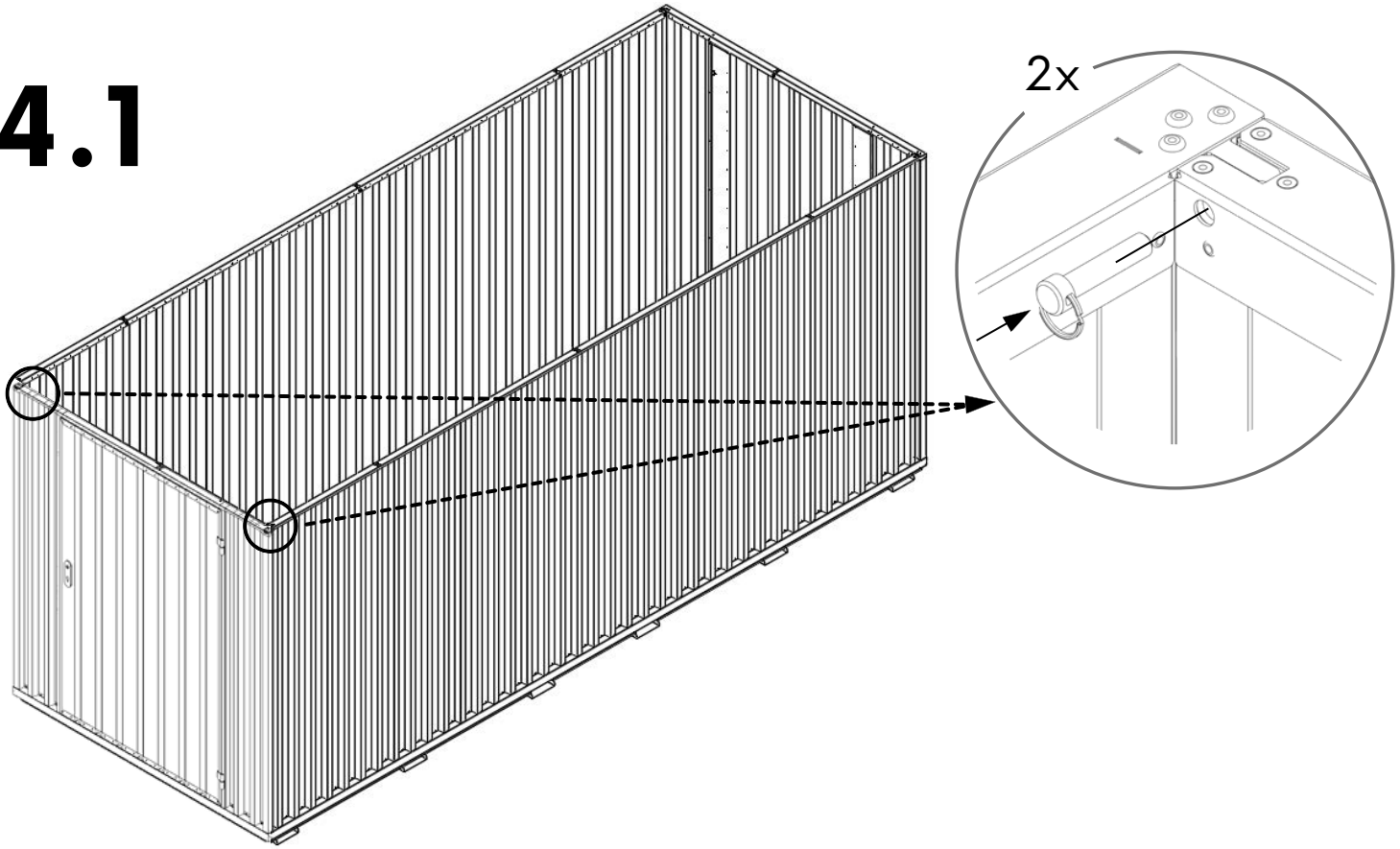
# 3.1











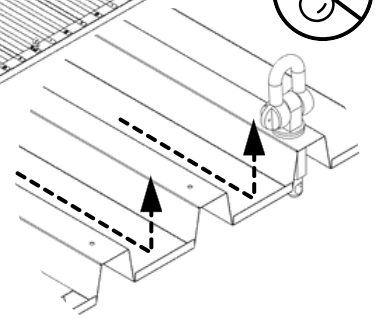
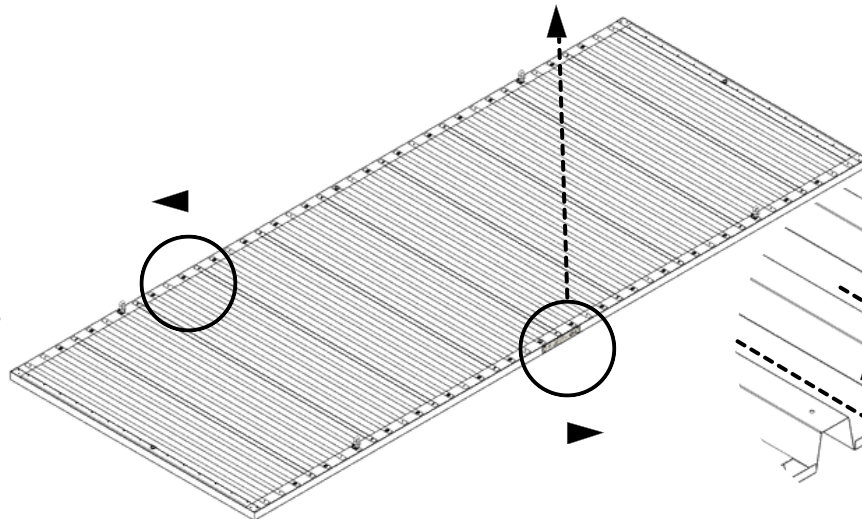
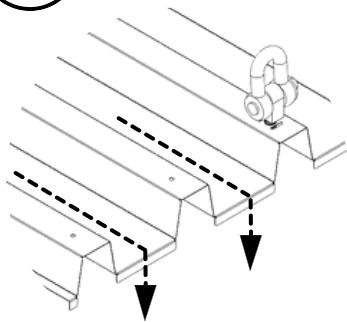
# 4



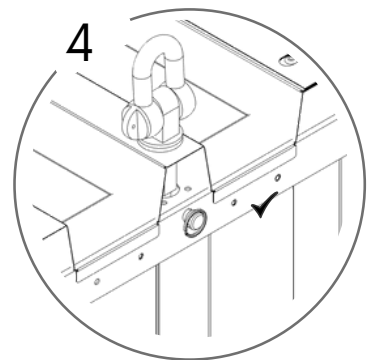
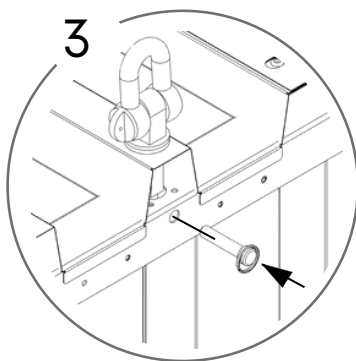
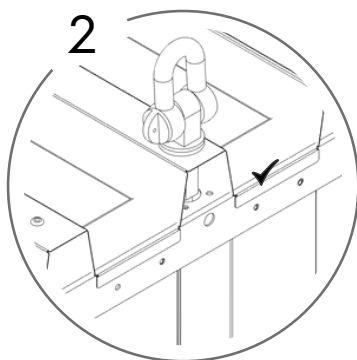
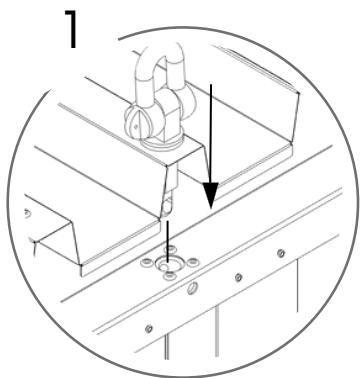
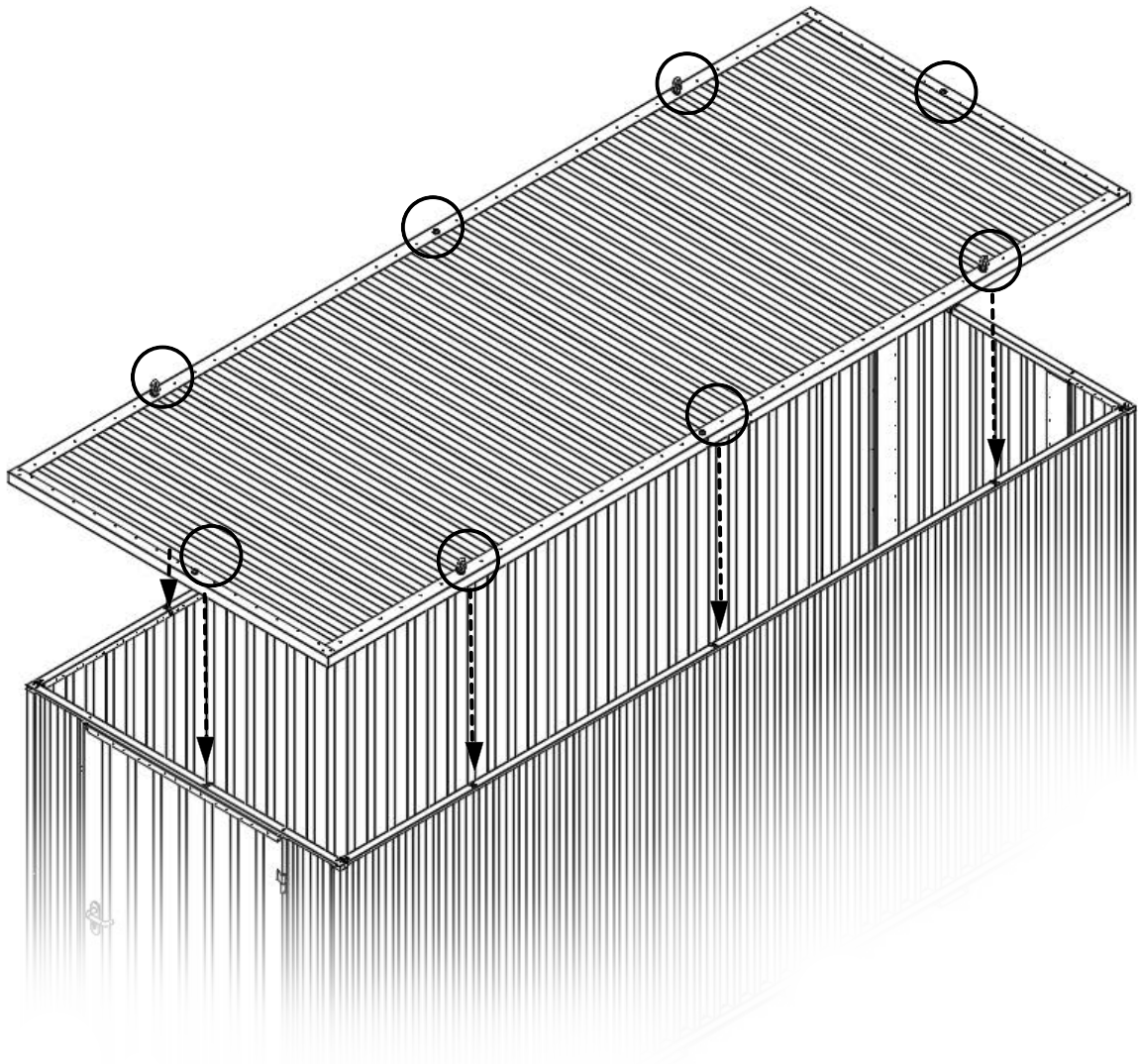
# 4.1



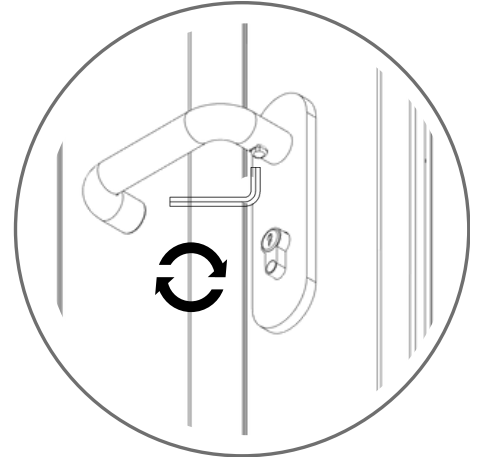
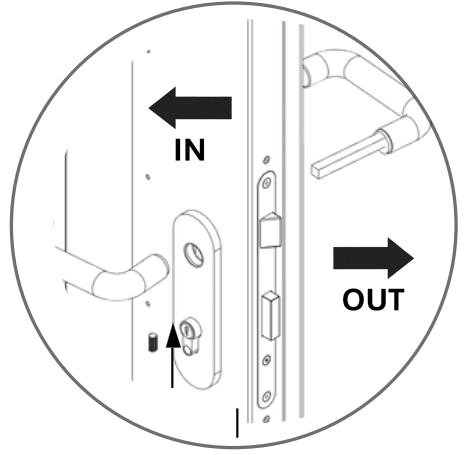
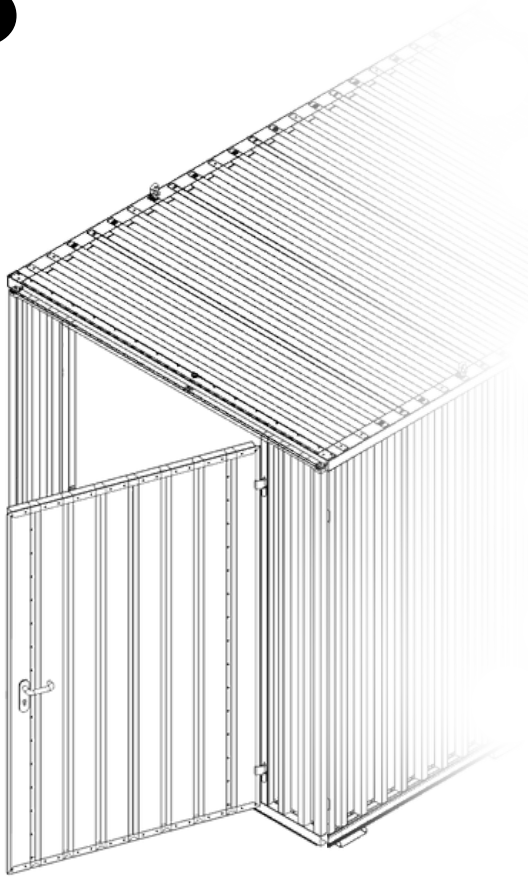
 509 KG	 1640 MM	Model Code: 50.110.320.321 Production Tracking Code: ...../X09.1.50.320.321	 9001  14001  50001	 	
---	--	---	--	---	---



# 5



6



7

