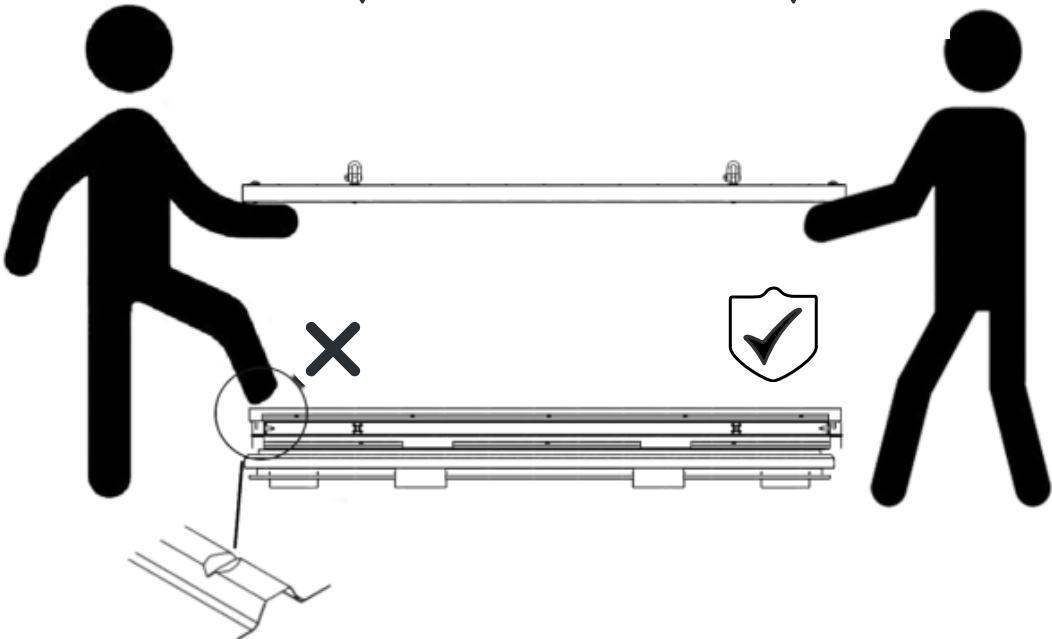
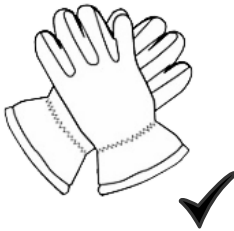


PRODUCT CODE: 40.110.330.331

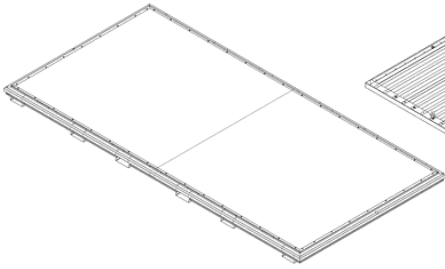
prefabase
Quick Build Solutions

Instructions and User Guide



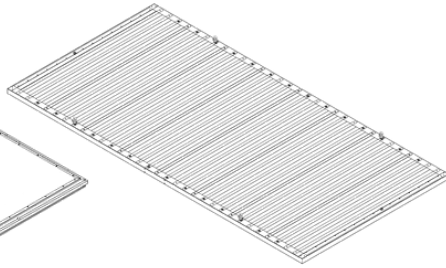
40.0110

1x



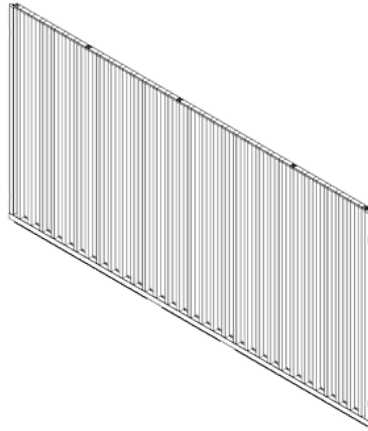
40.0510

1x



40.0410

2x

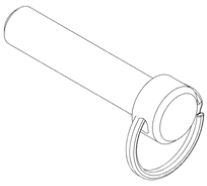


0330

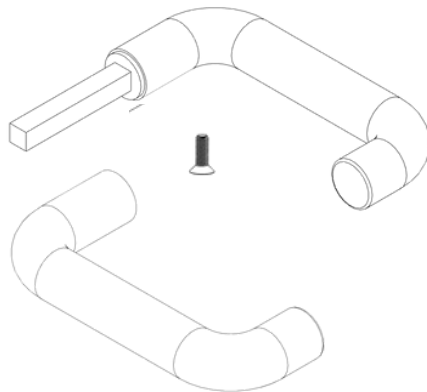
2x



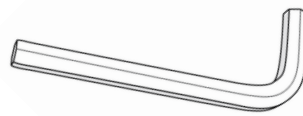
12x



2x



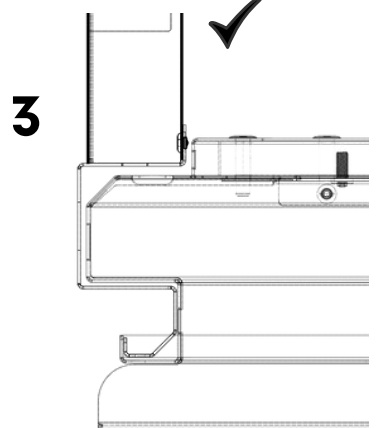
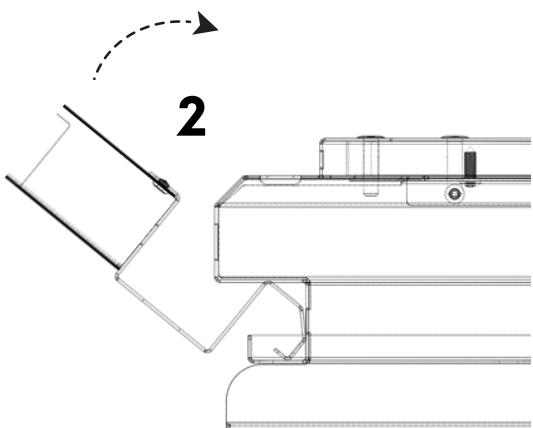
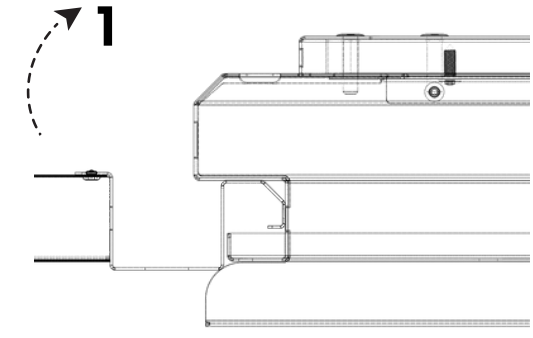
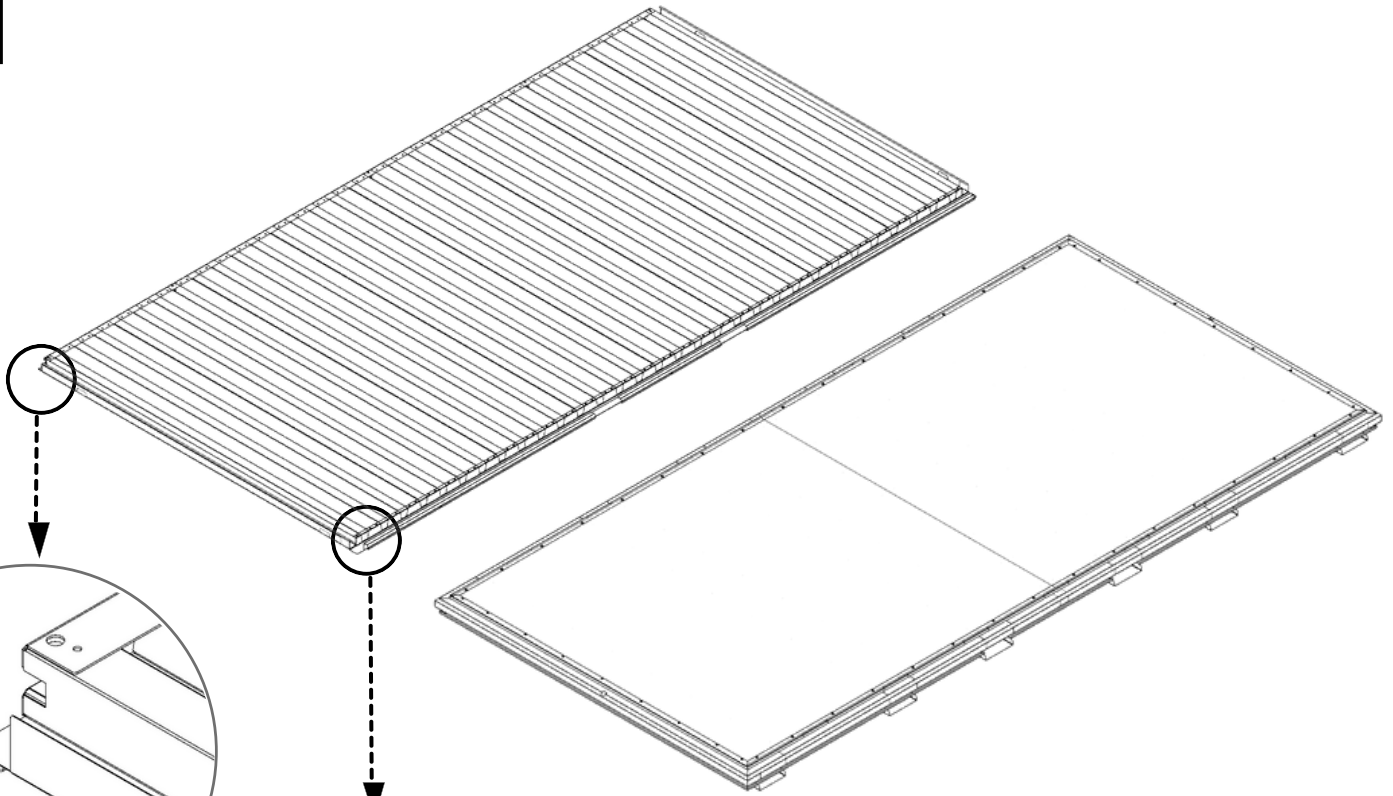
1x



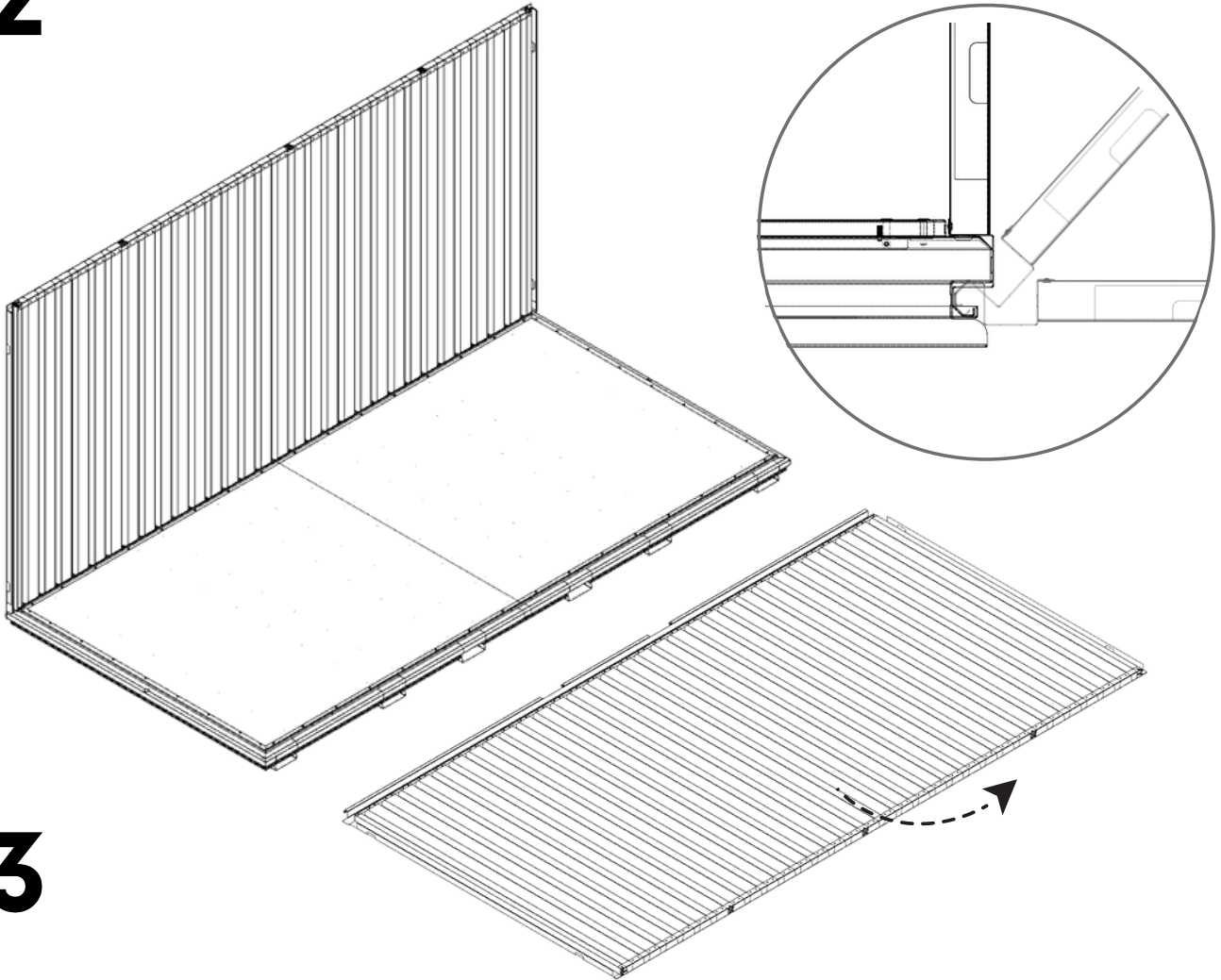
2x



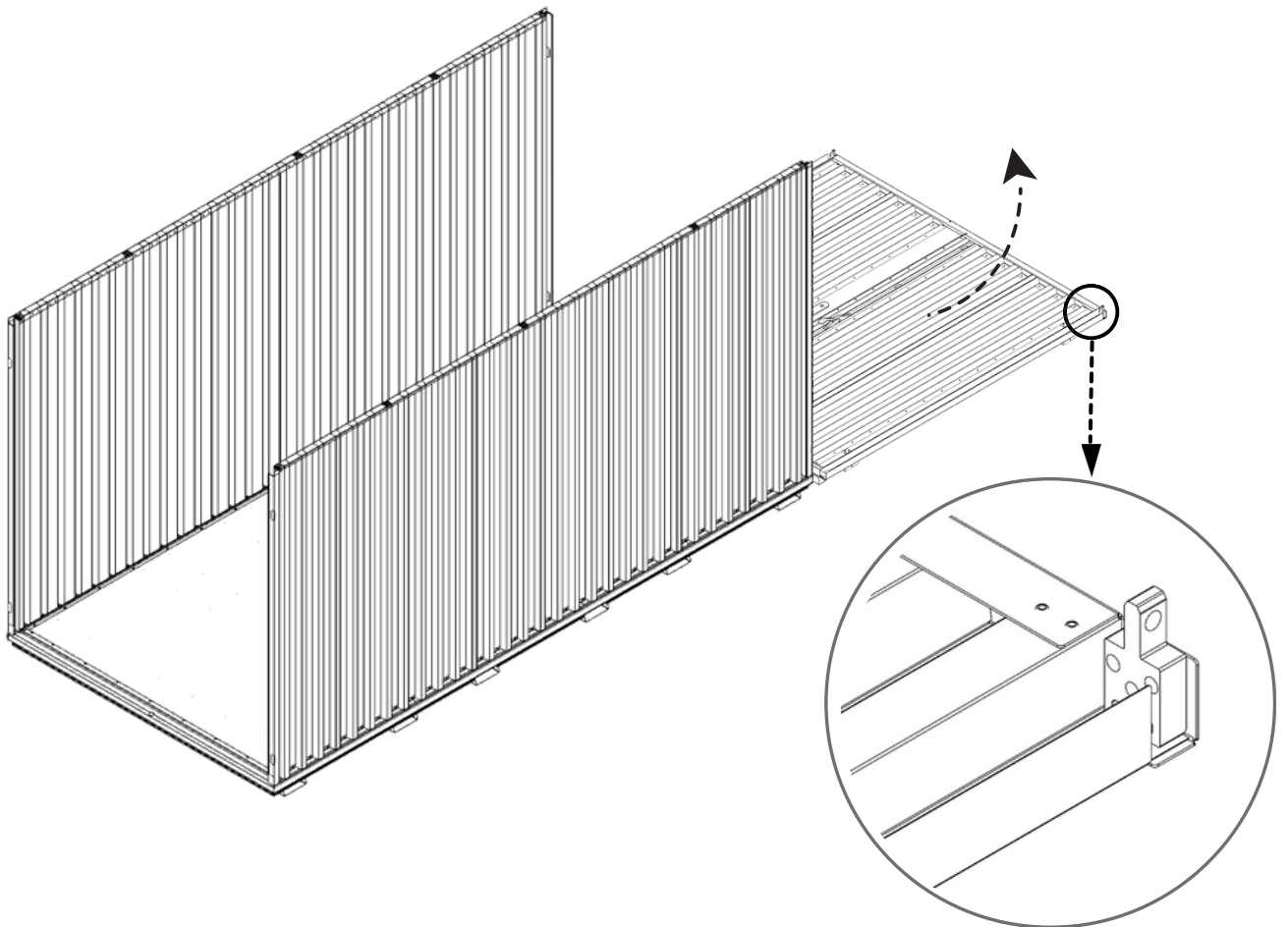
1



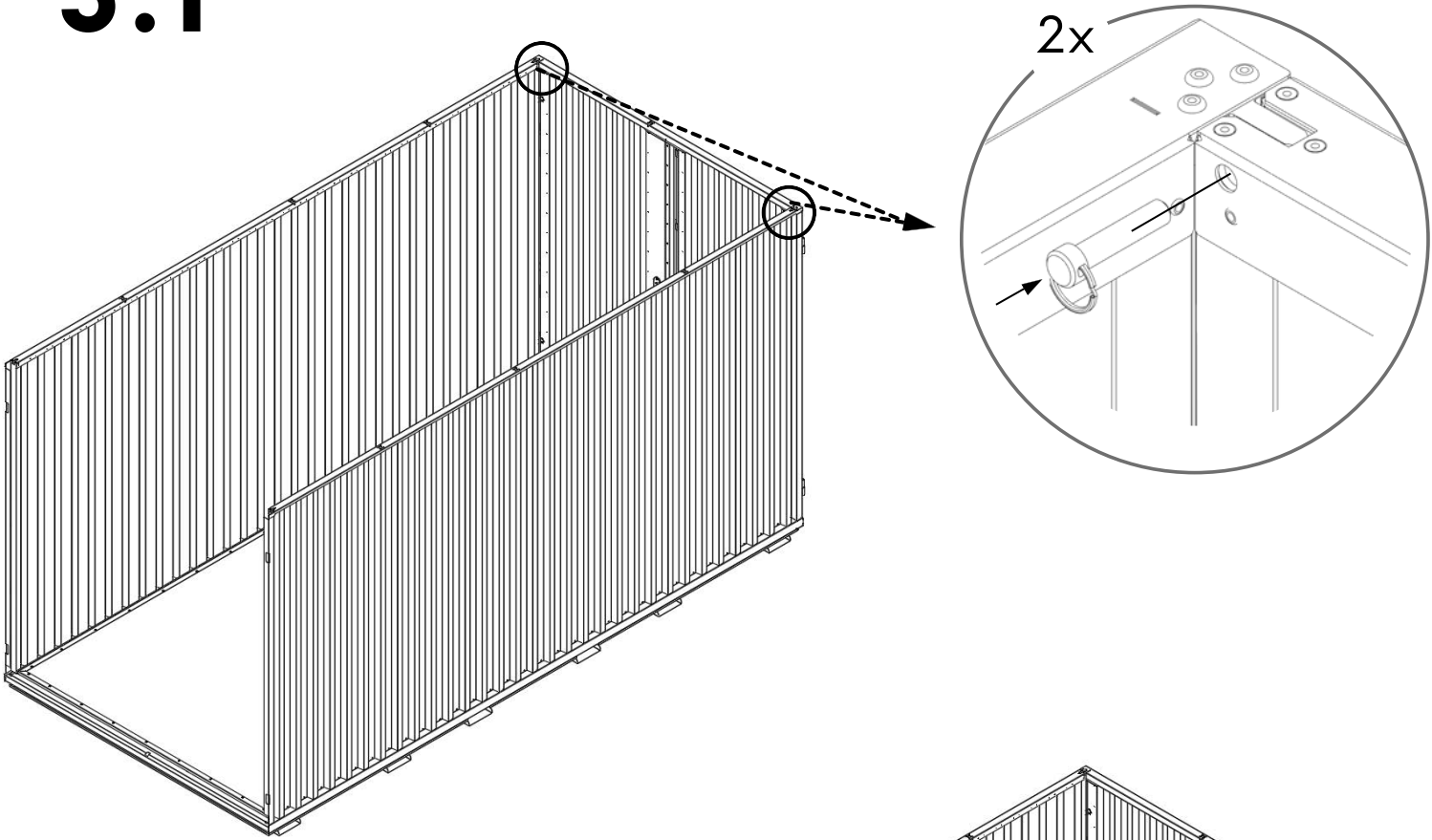
2



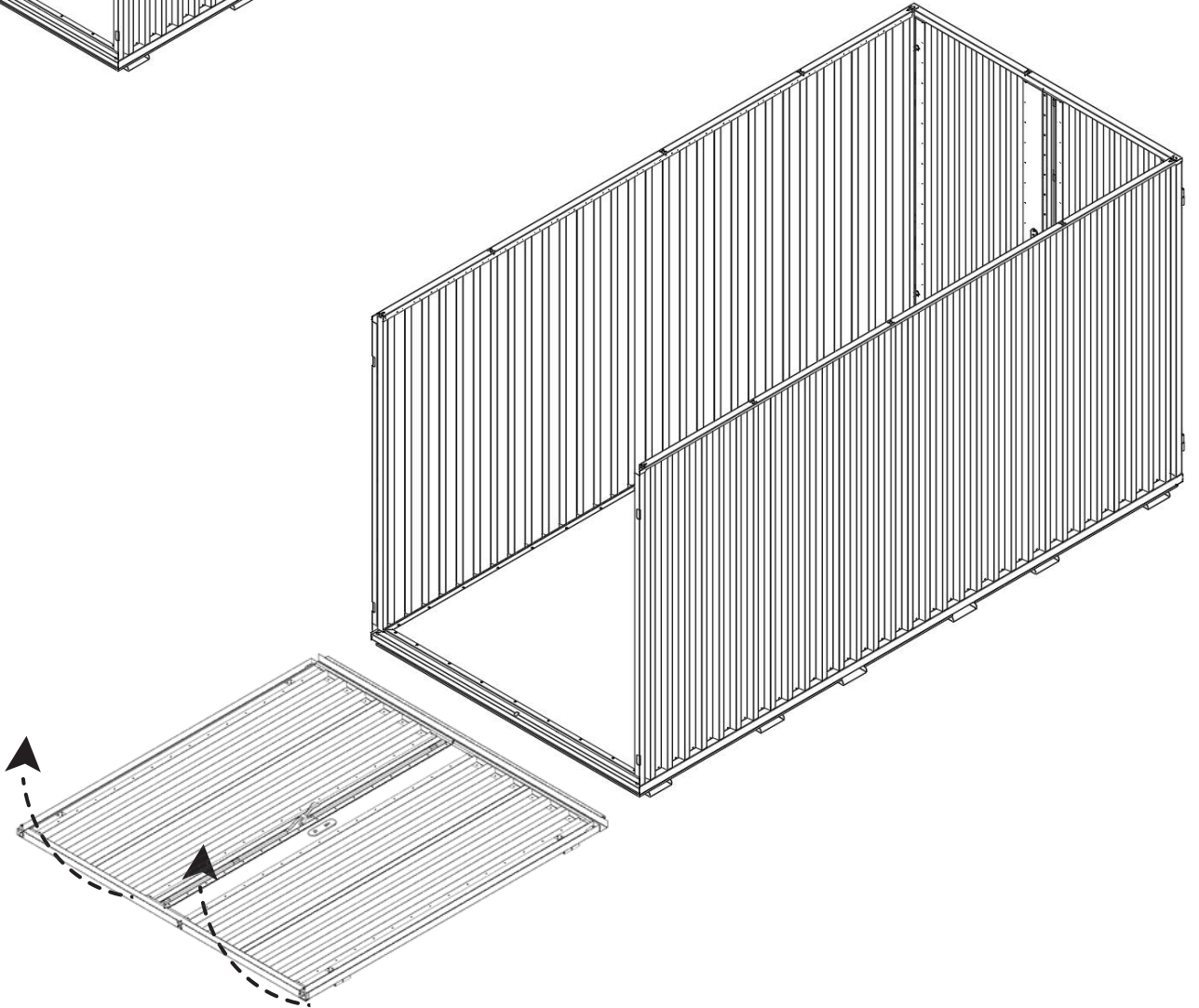
3



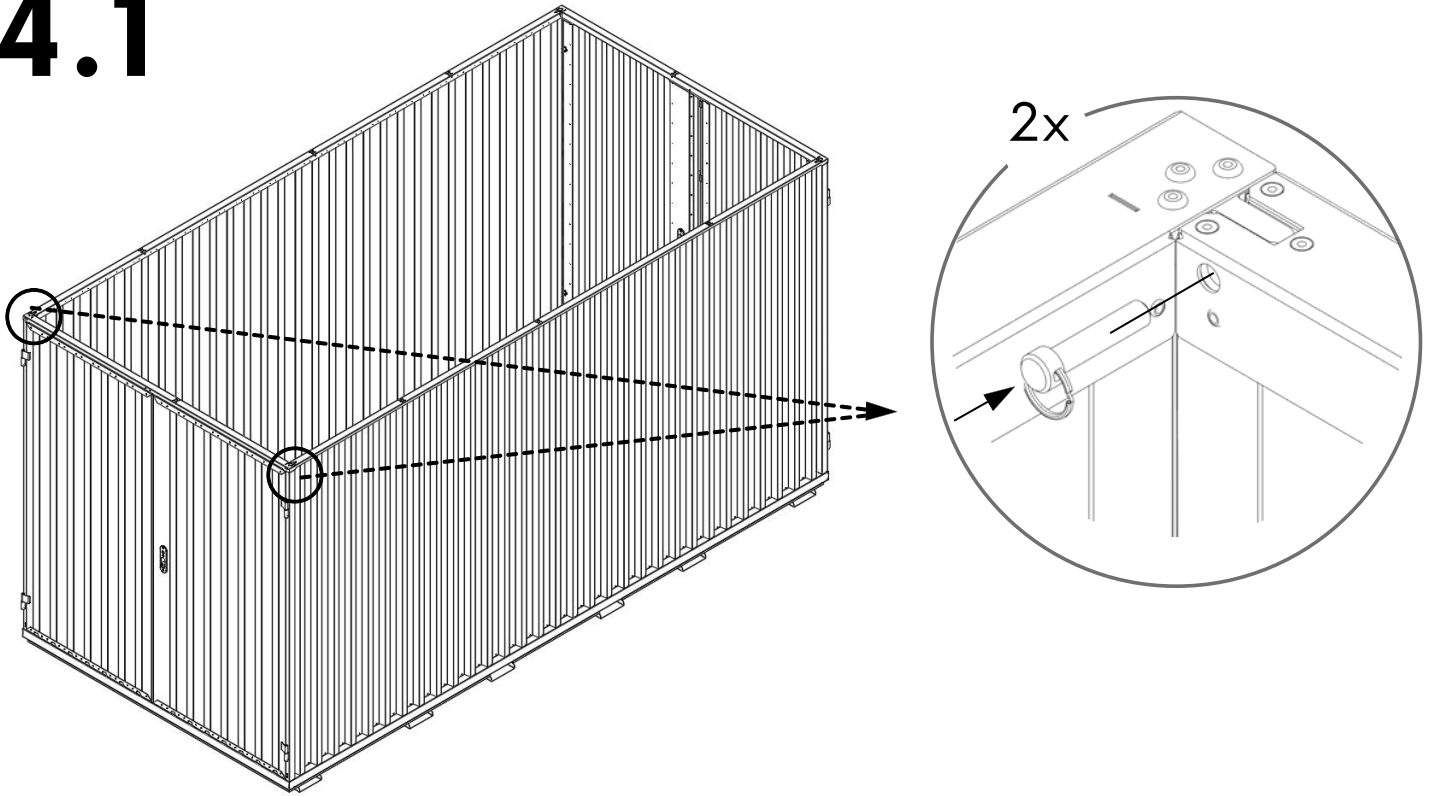
3.1











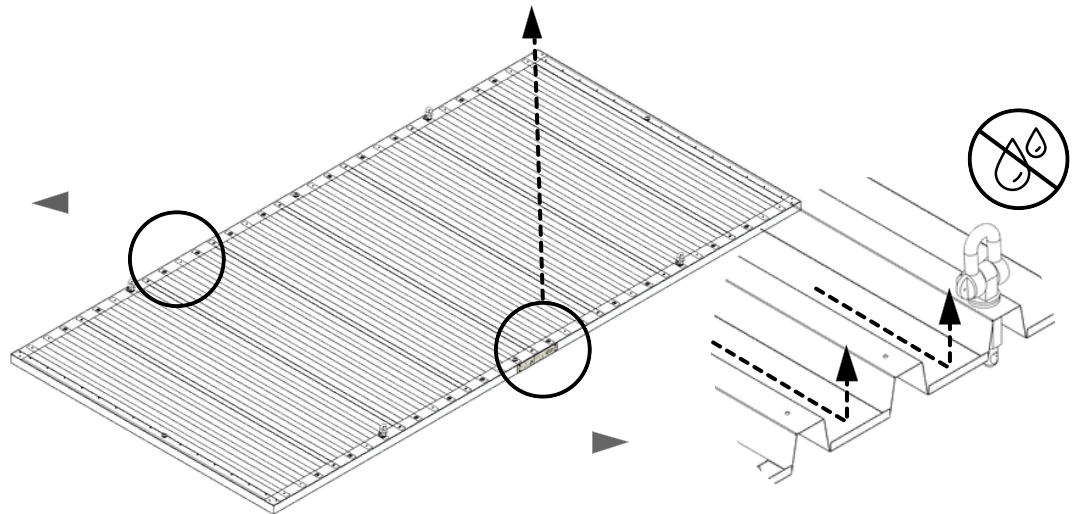
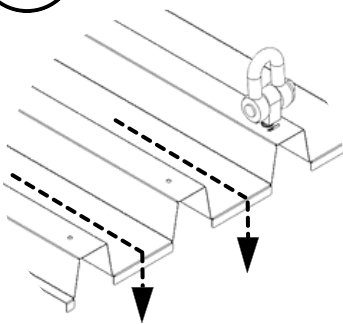
4



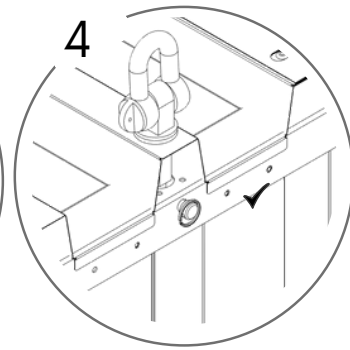
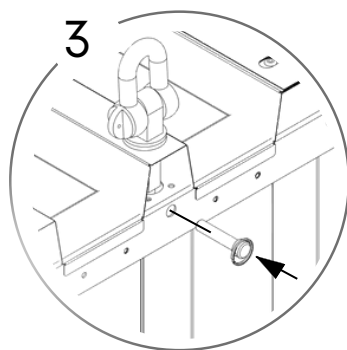
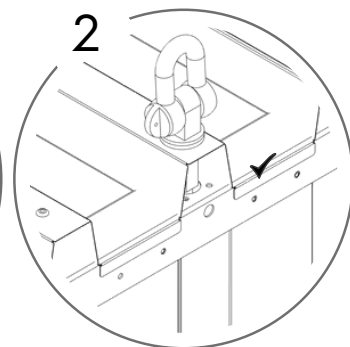
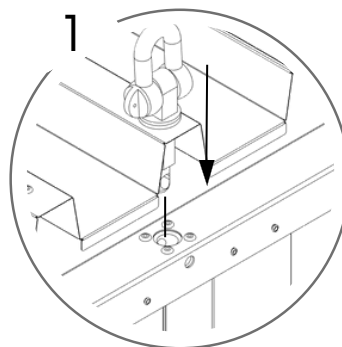
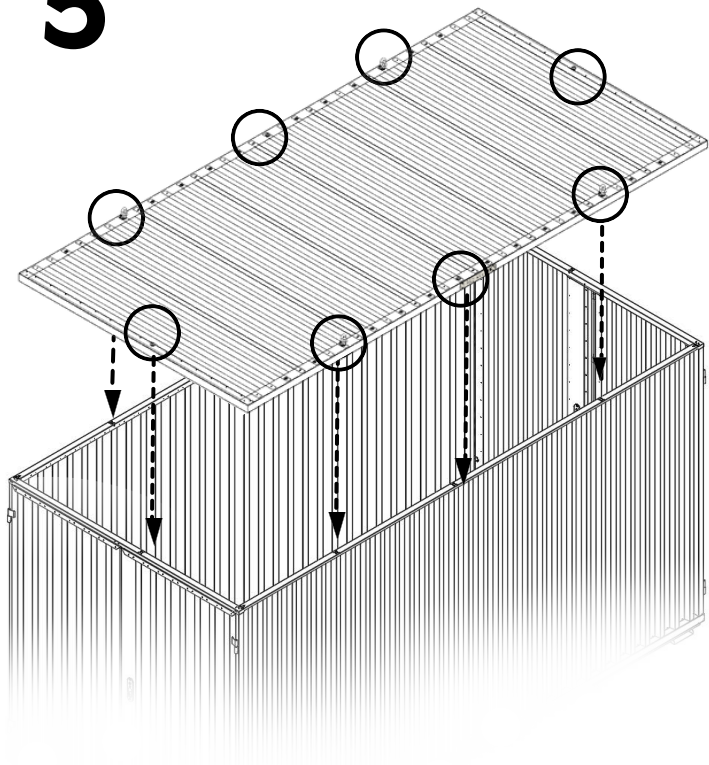
4.1



 453 KG	 1640 MM	Model Code: 40.110.330.331 Production Tracking Code: /X09.1.40.330.331    9001 14001 50001	 	
---	--	---	---	---



5



6

