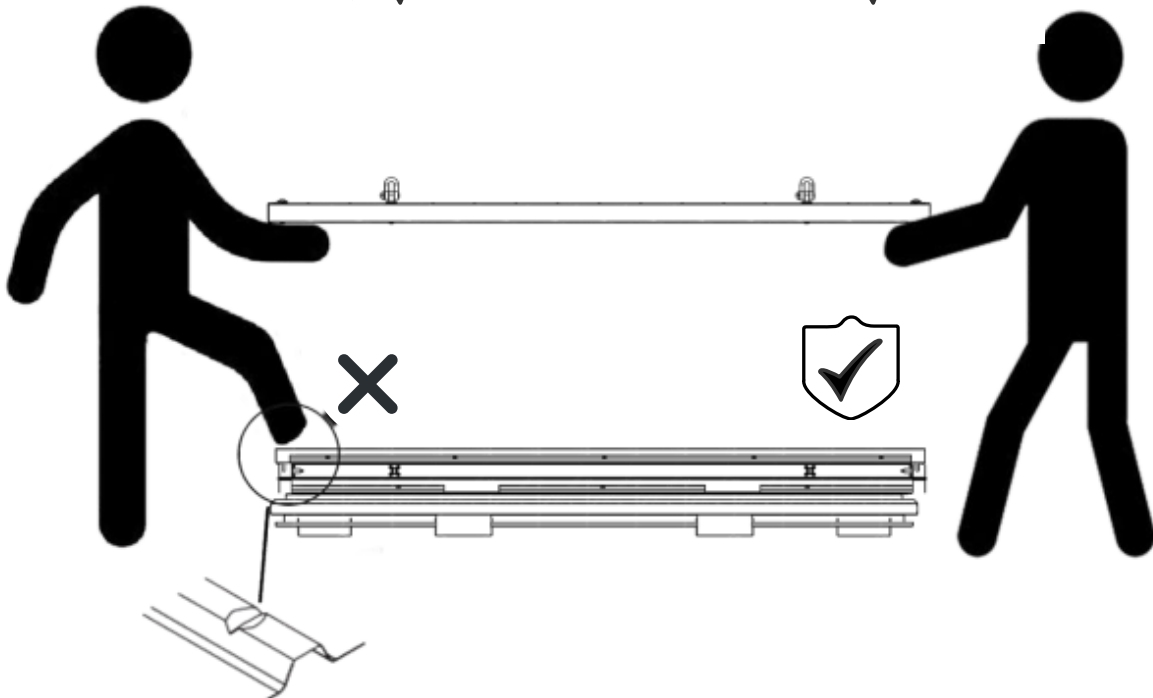
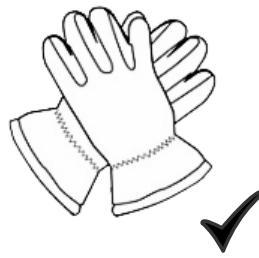
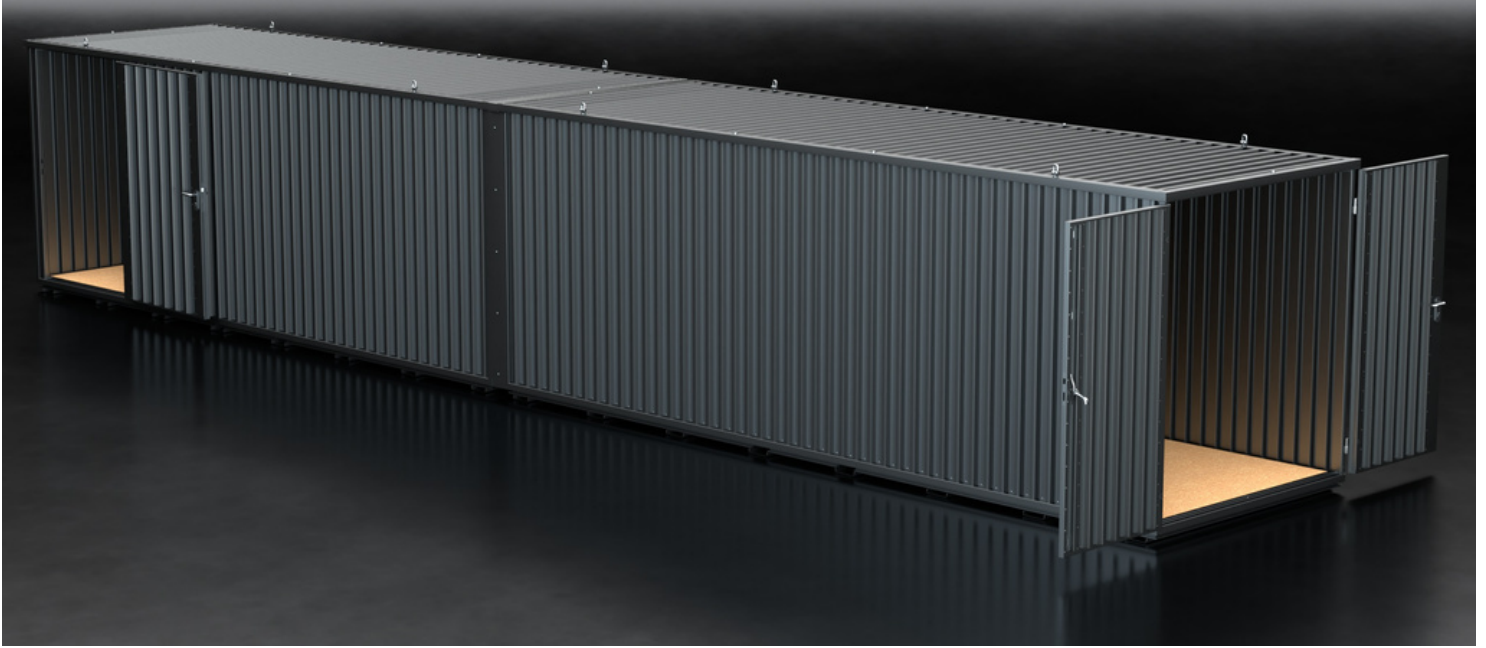


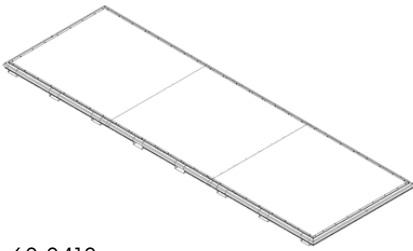
PRODUCT CODE:6060.110.450.330

prefabase
Quick Build Solutions

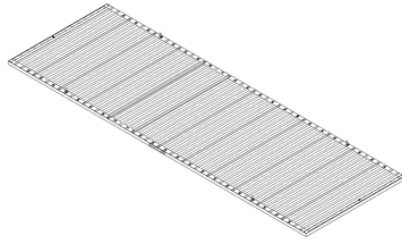
Instructions and User Guide



60.0110
2x



60.0510
2x



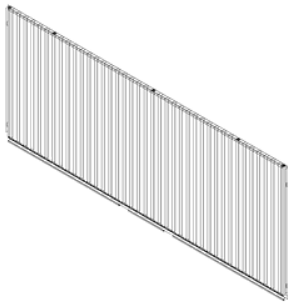
306.0110
1x



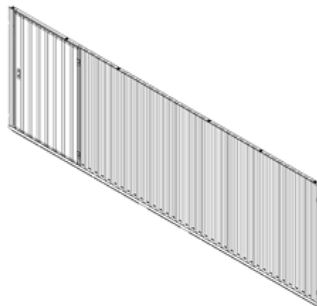
306.0510
1x



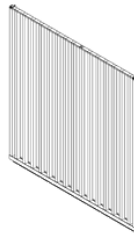
60.0410
3x



60.0450
1x



0310
1x



0330
1x



306.40.05
2x



306.40.04
2x



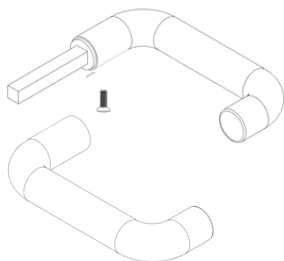
61.101
2x



28x



2x



10x



10x



10x



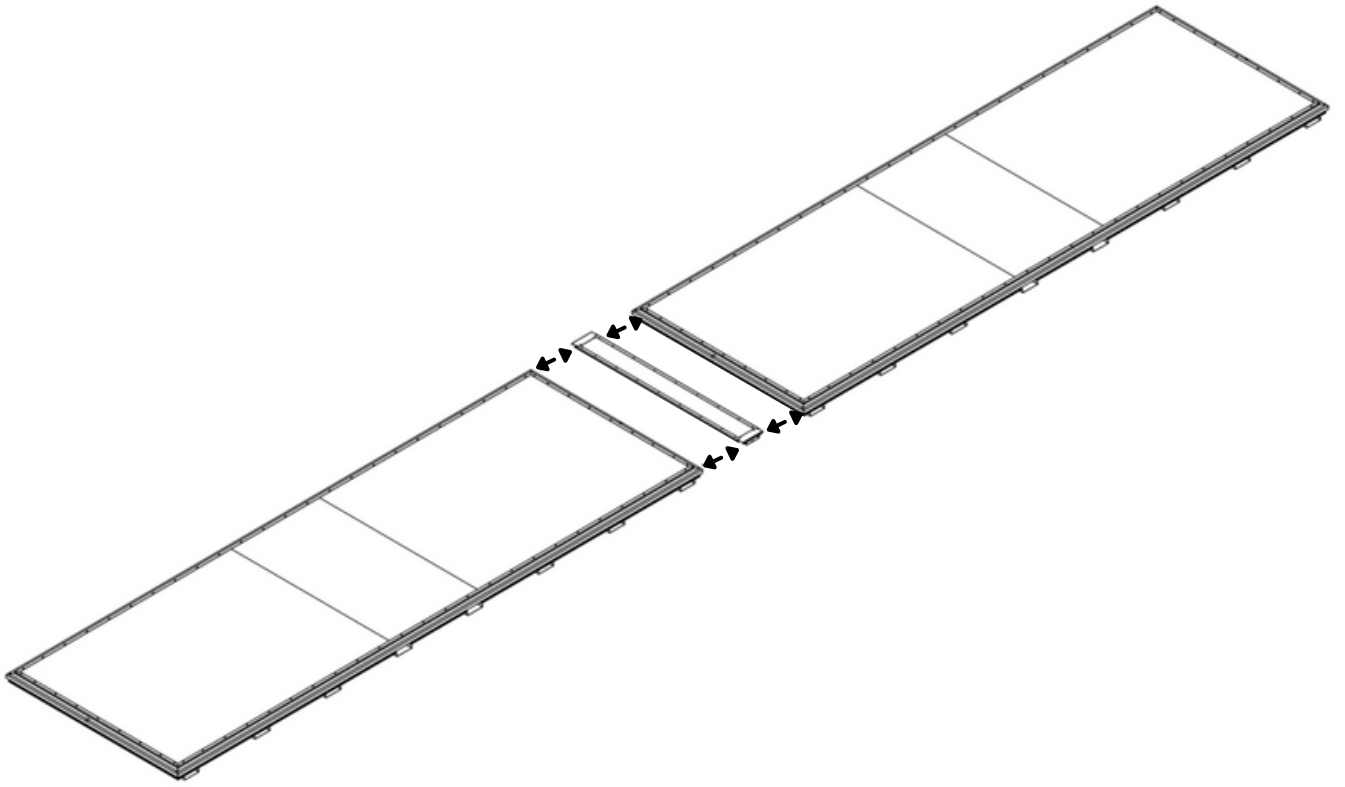
1x



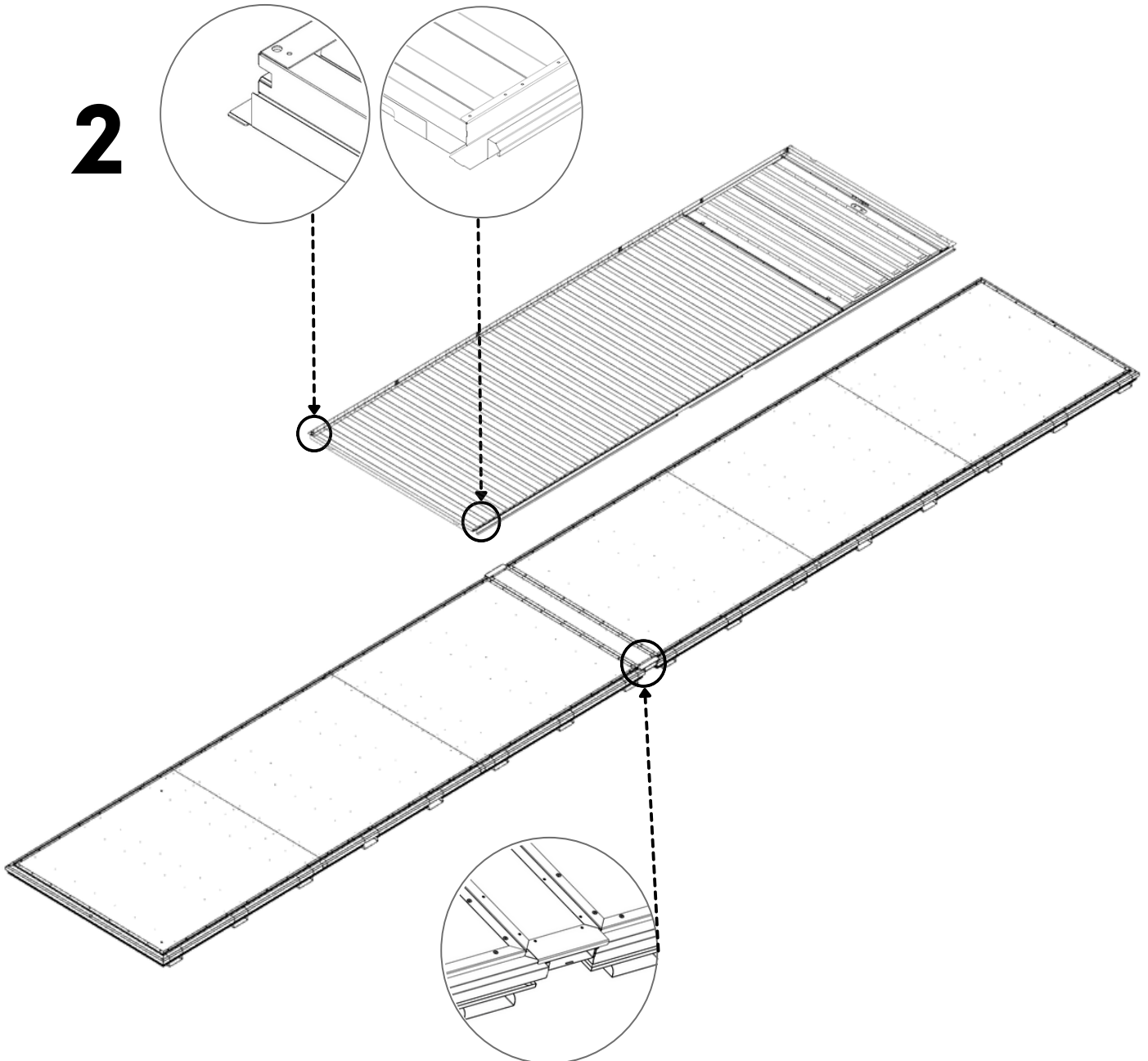
2x

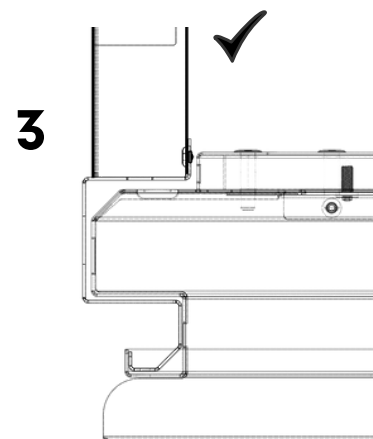
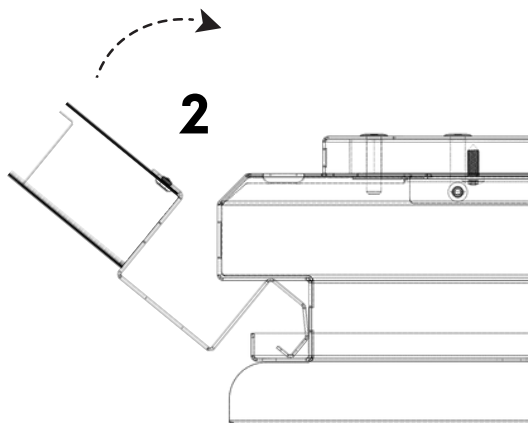
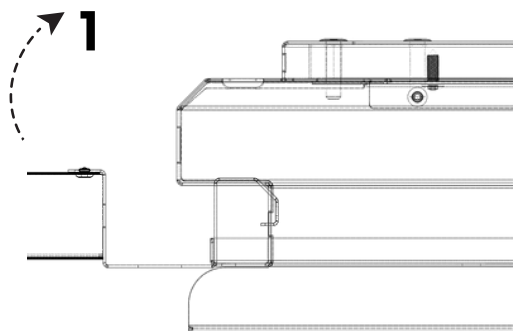


1

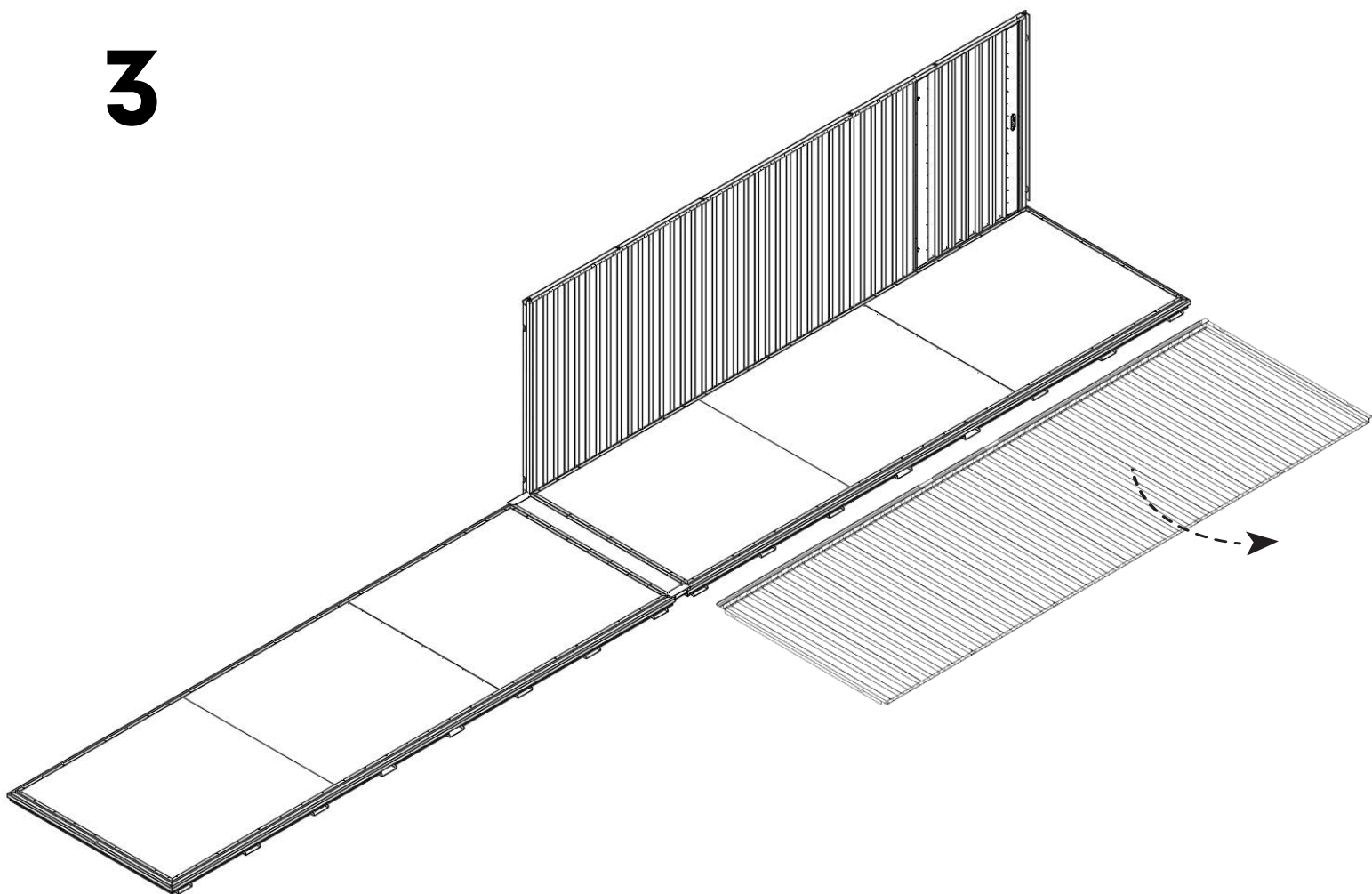


2

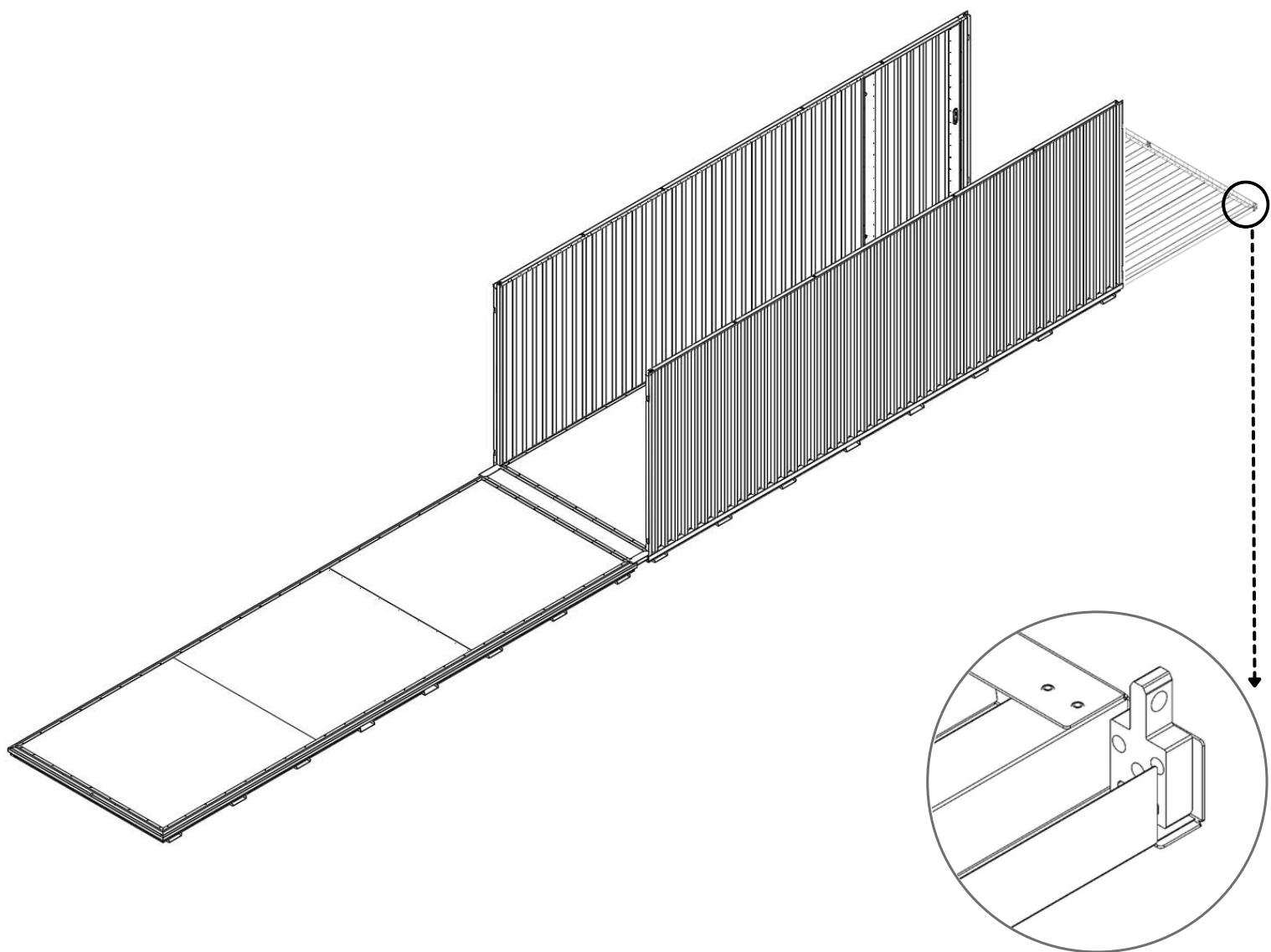




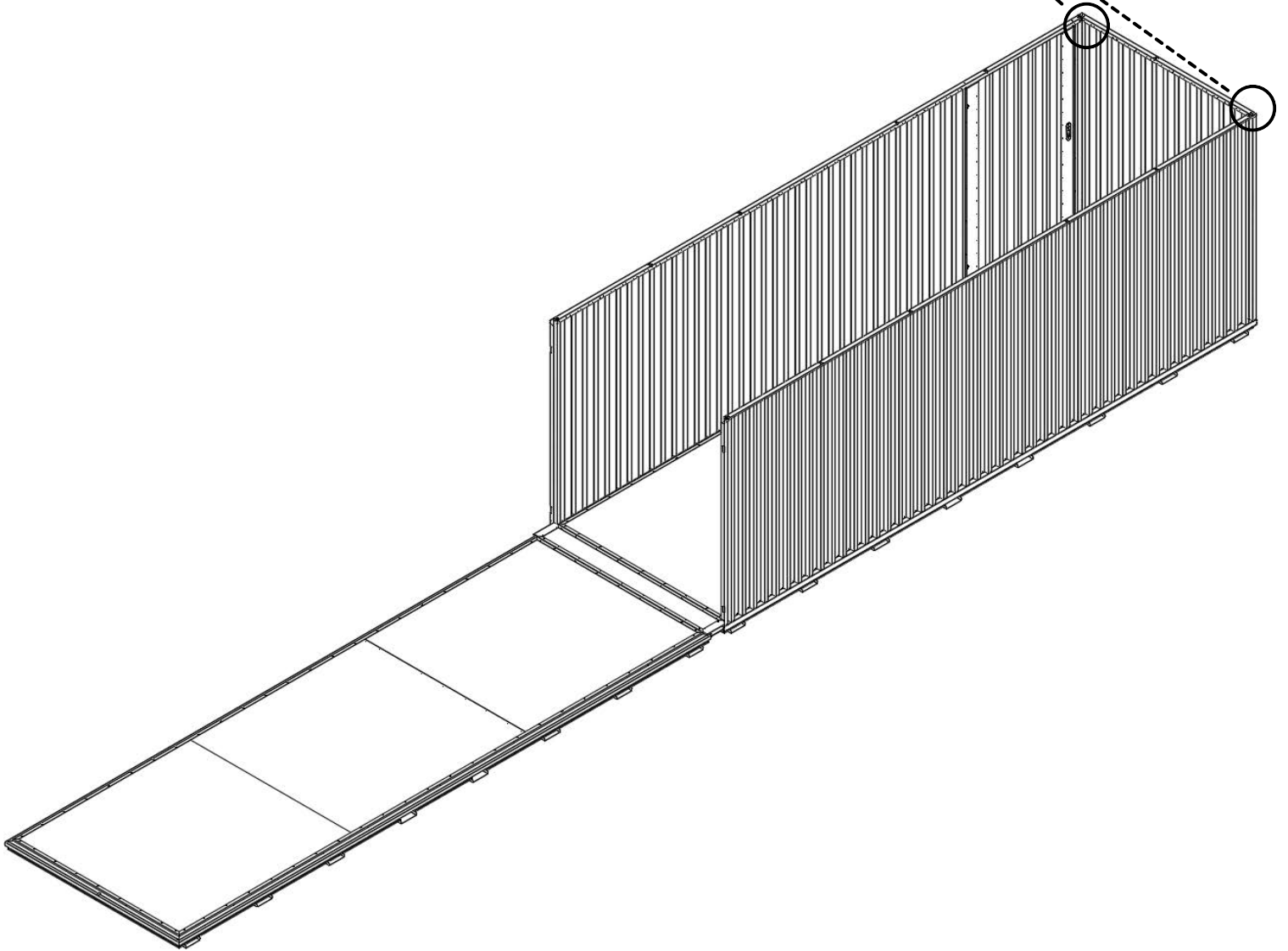
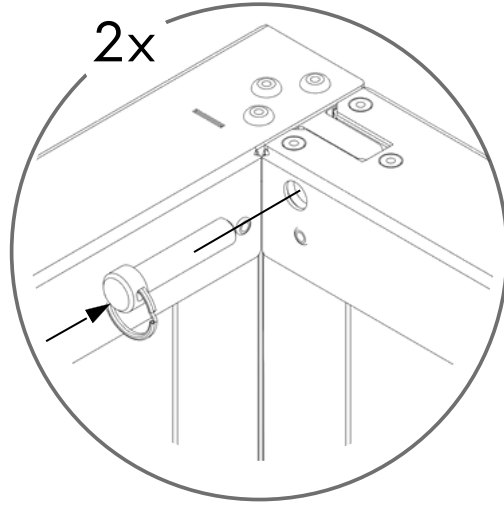
3



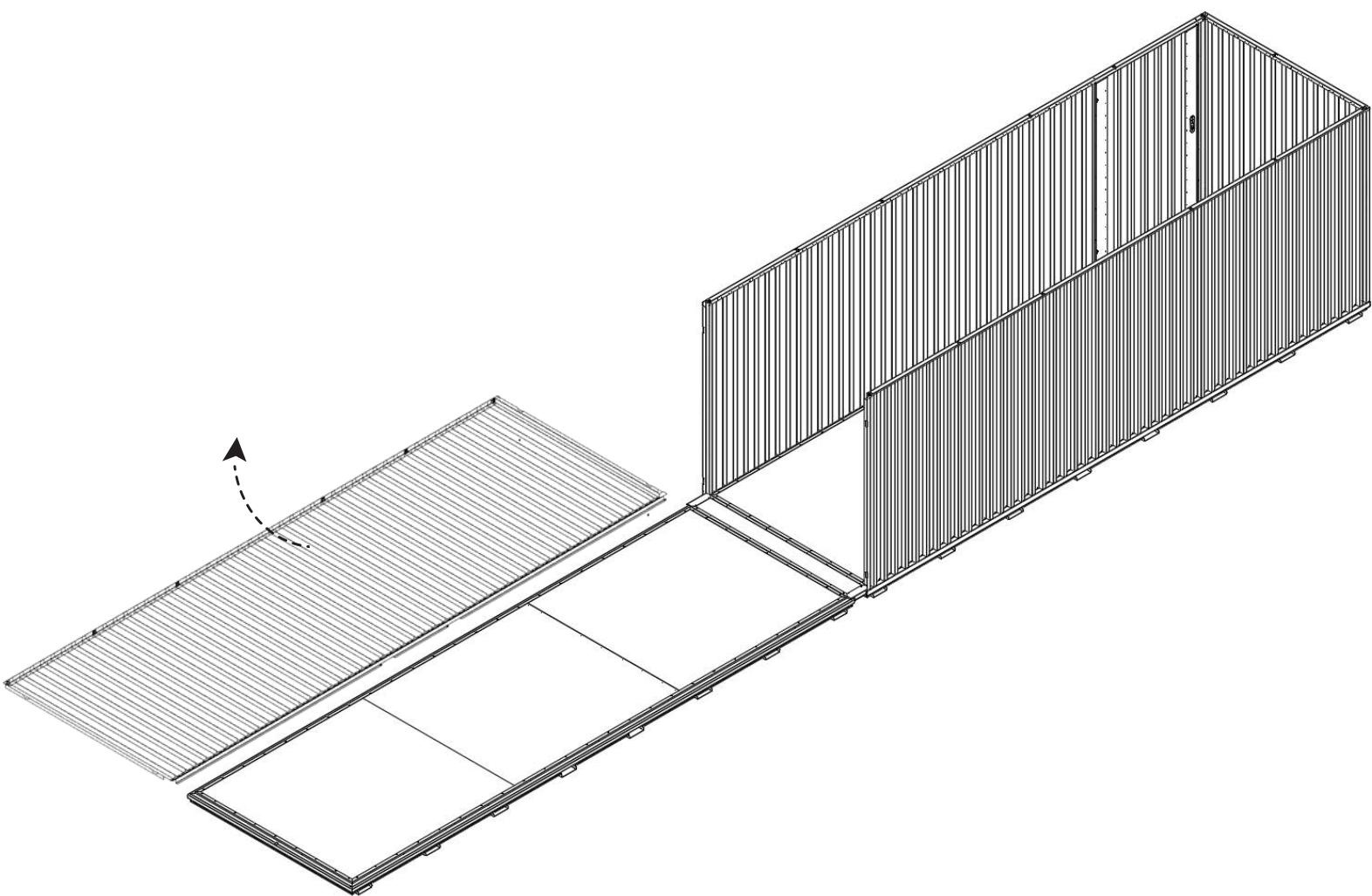
4



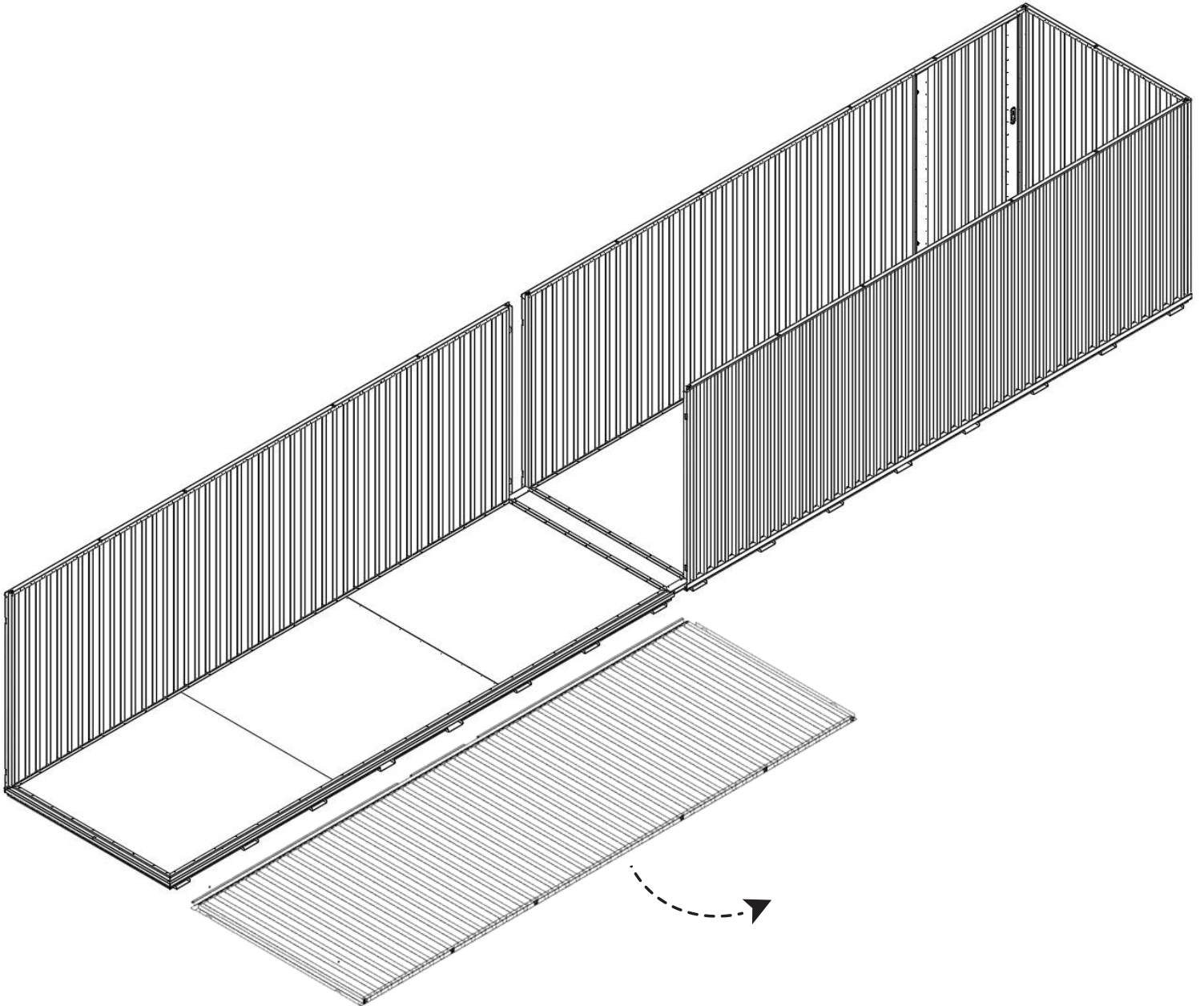
4.1



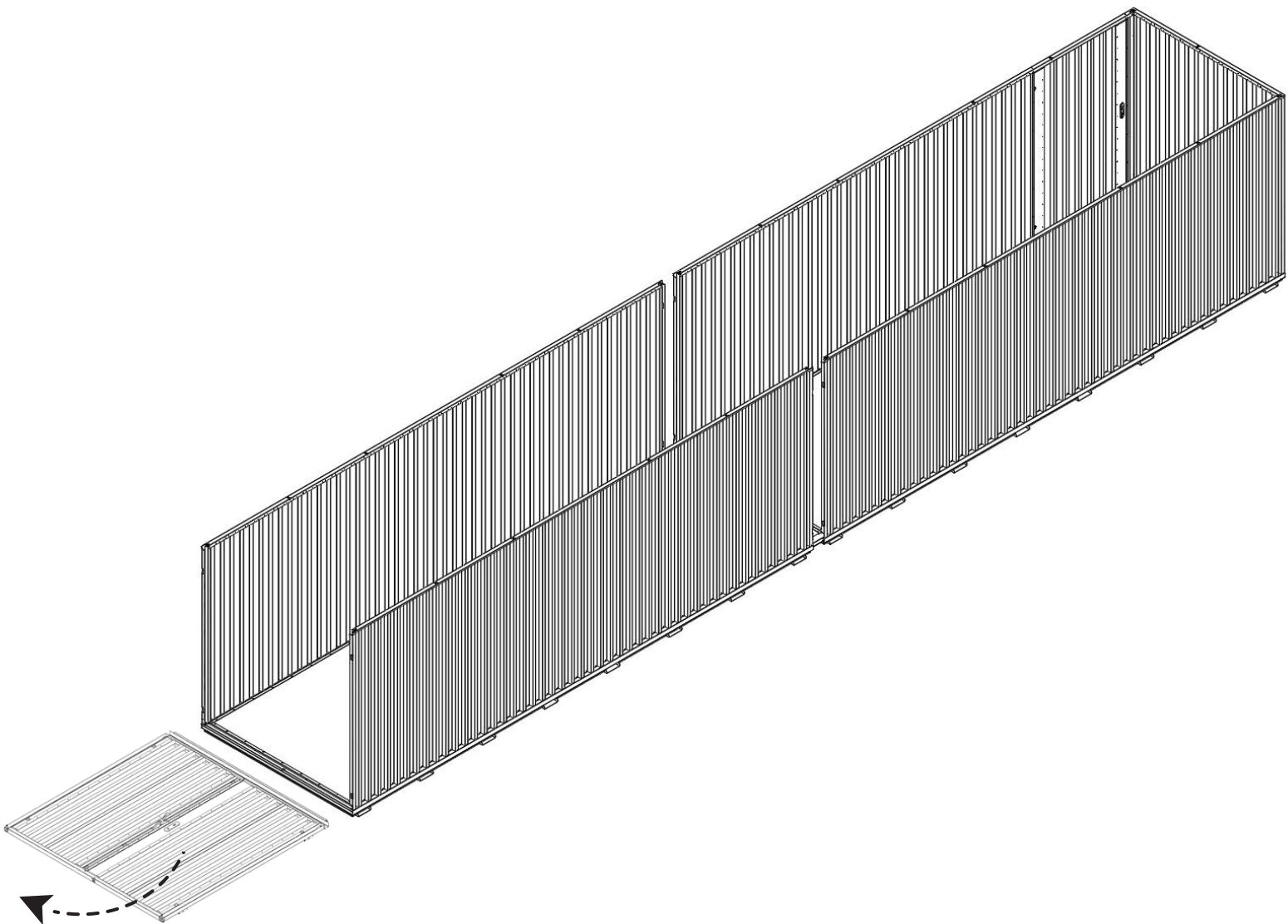
5



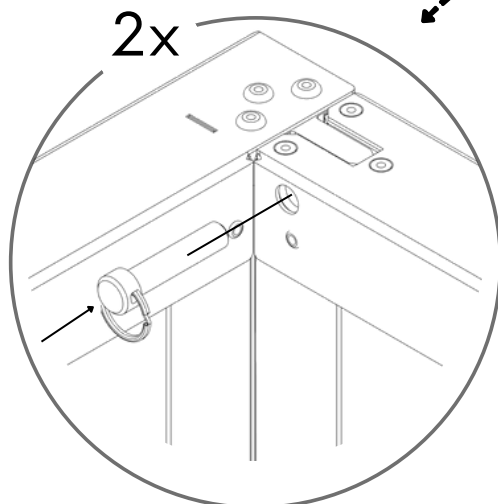
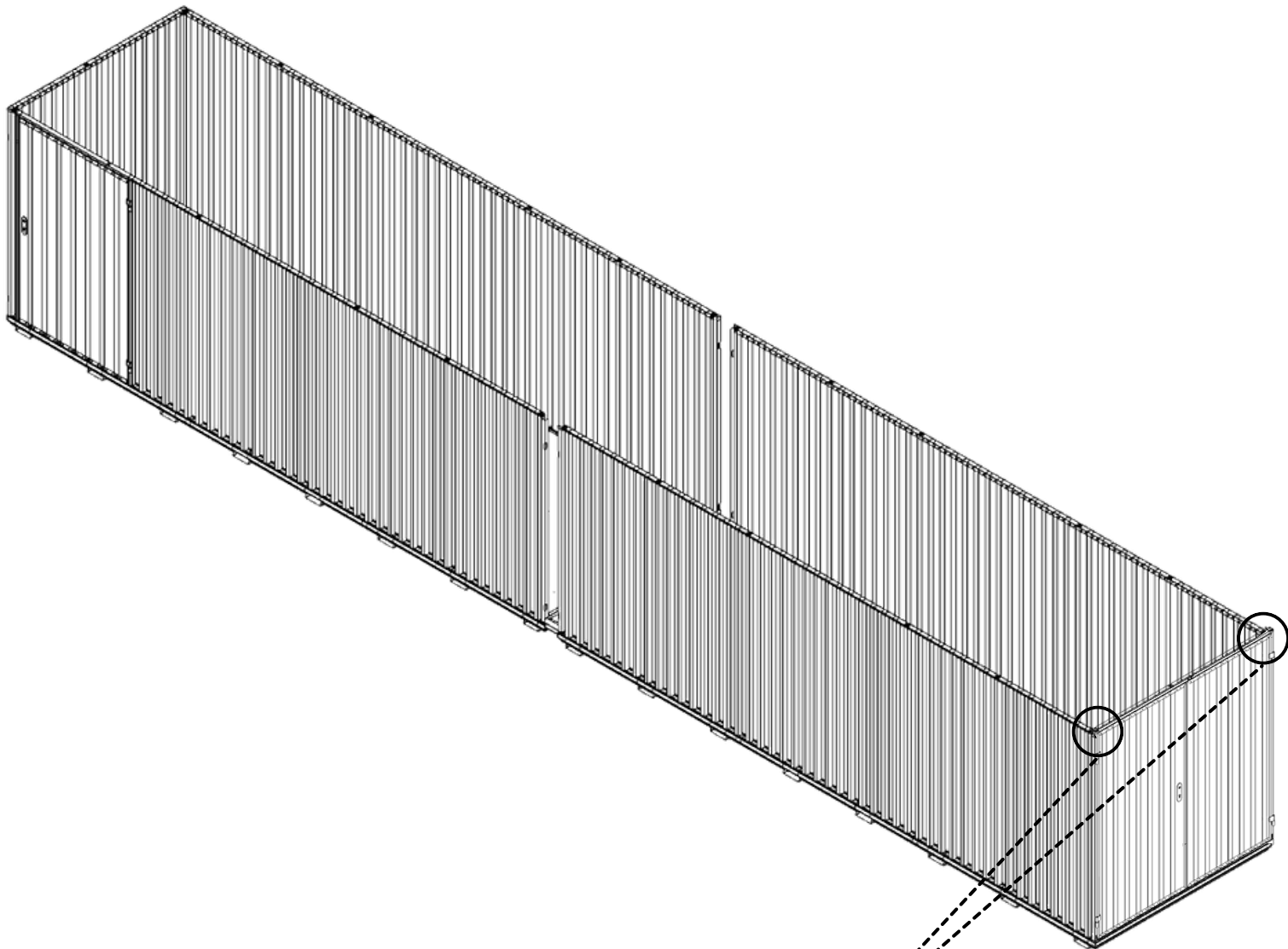
6



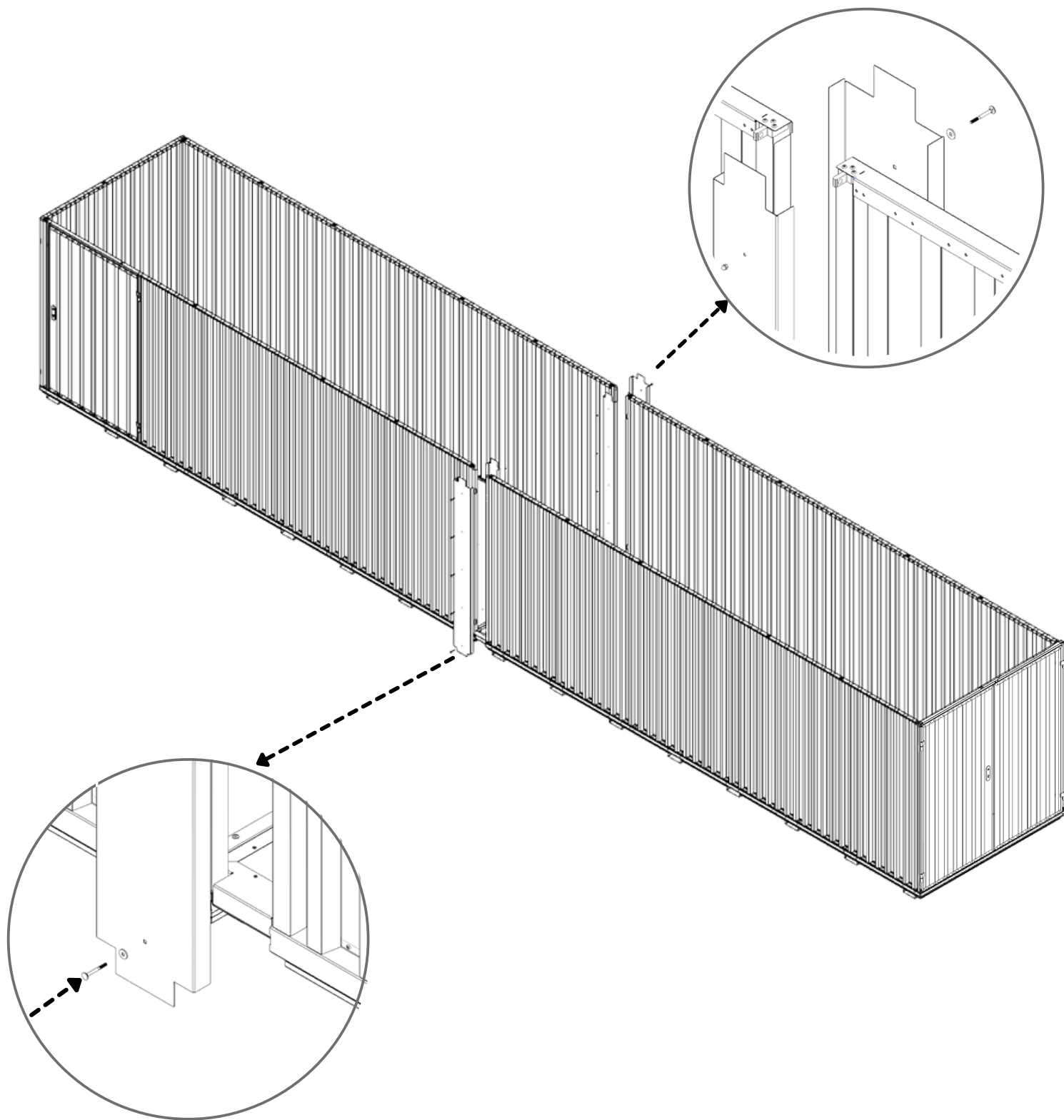
7



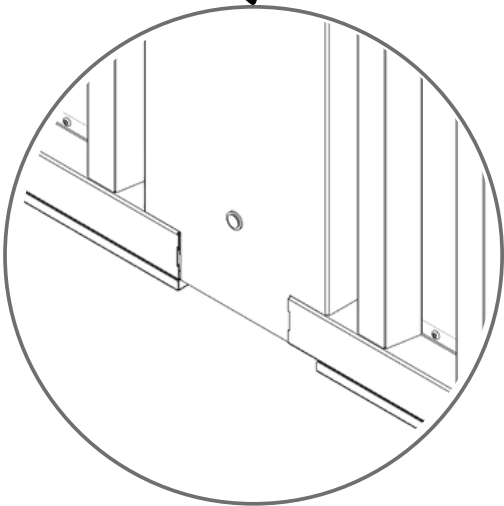
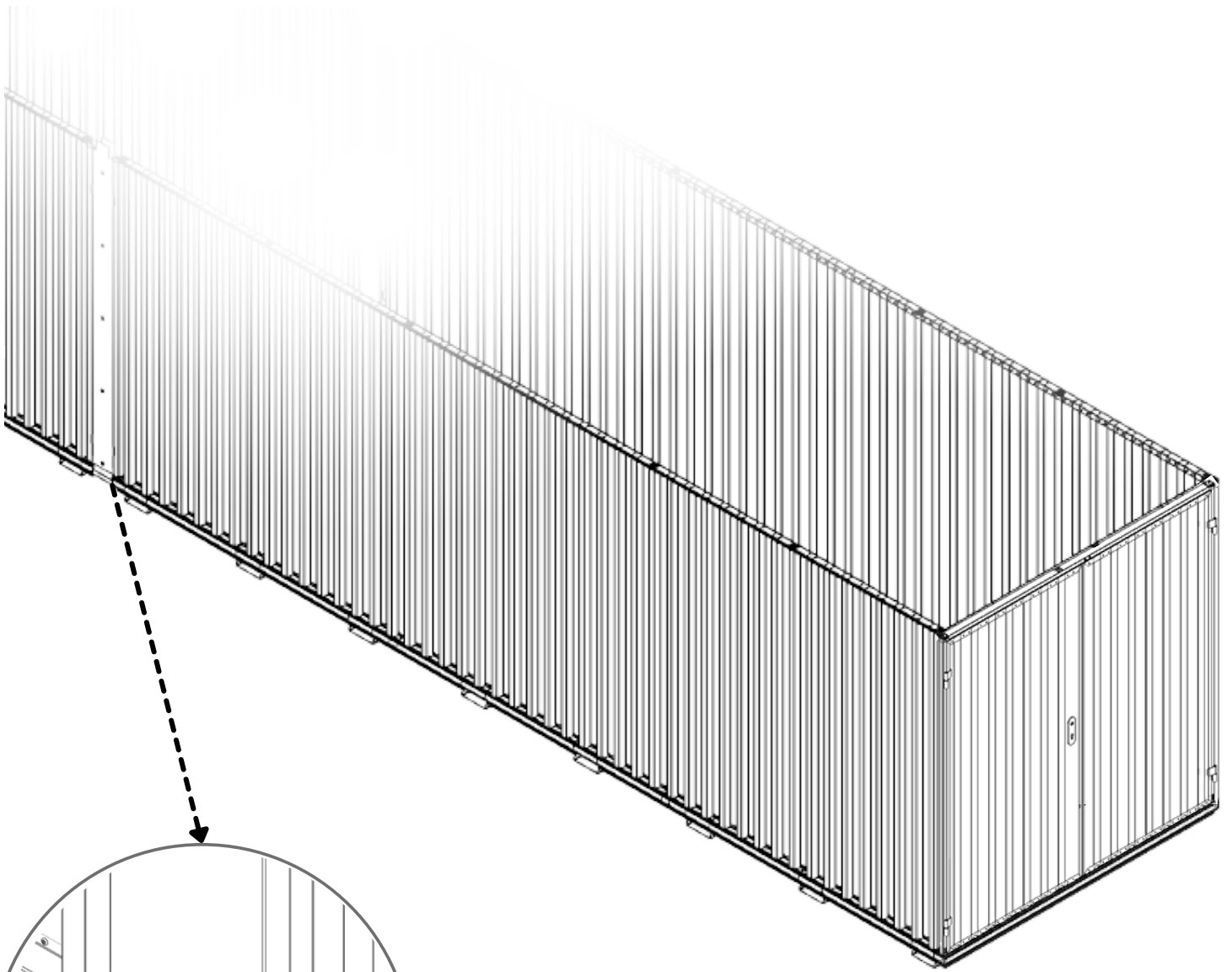
7.1



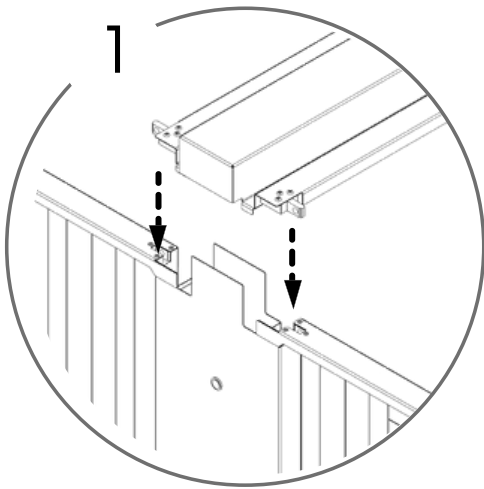
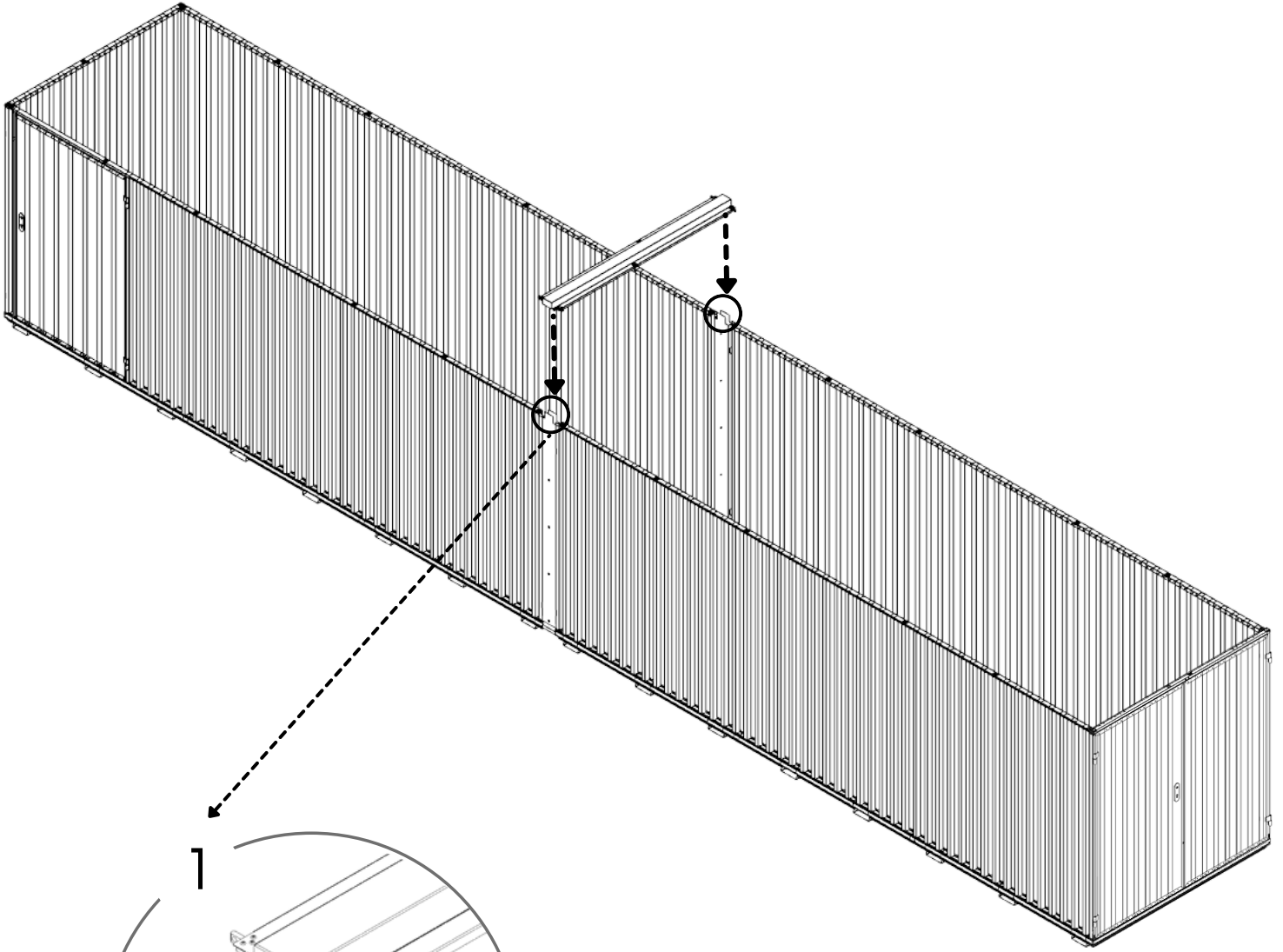
8



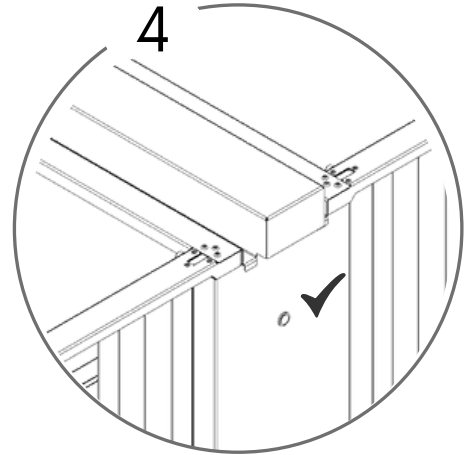
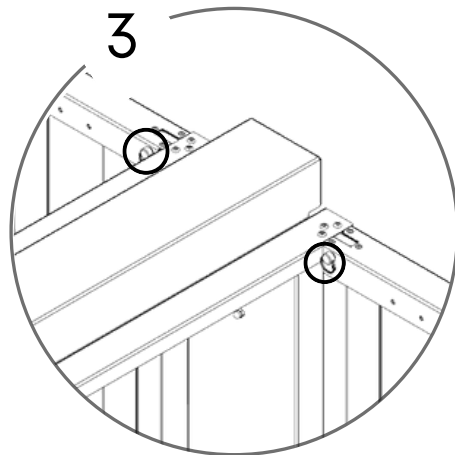
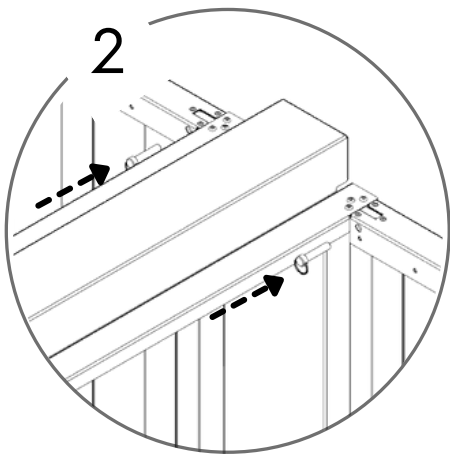
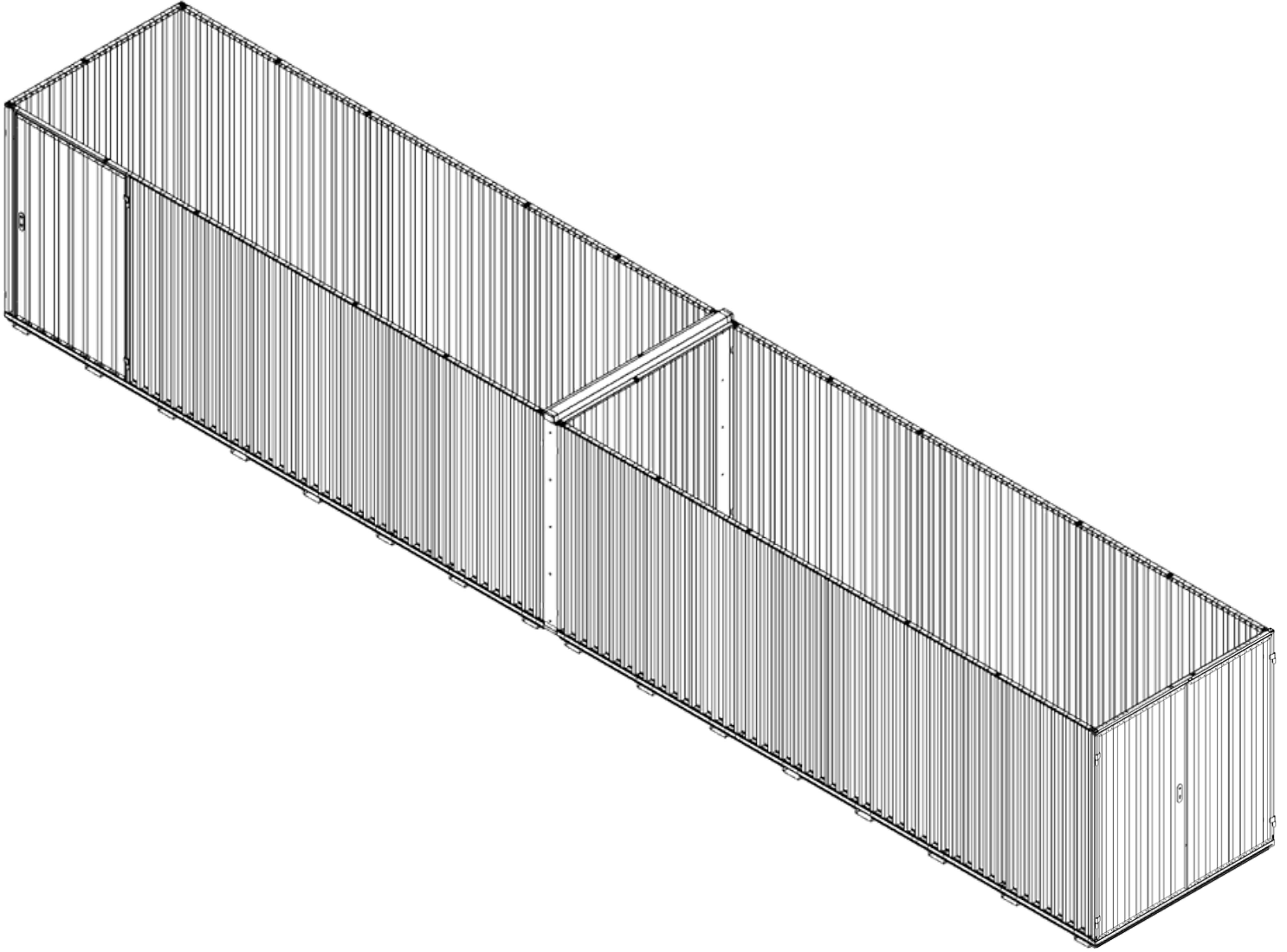
9











10

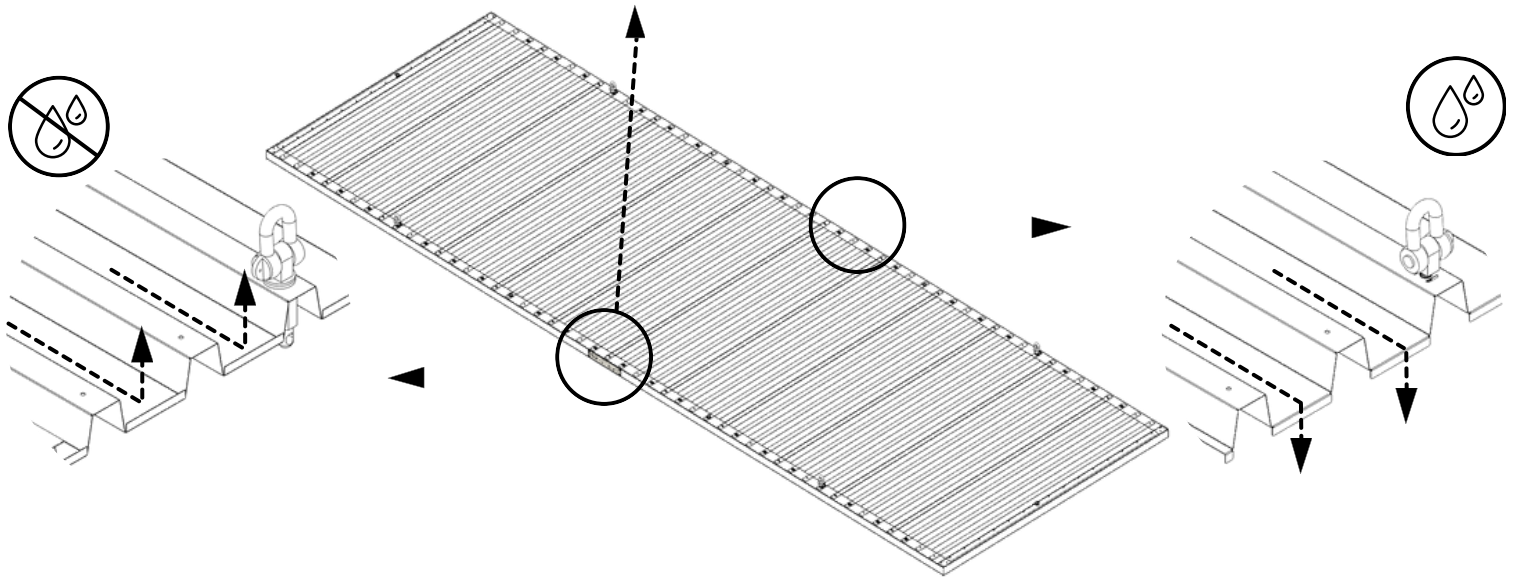


11

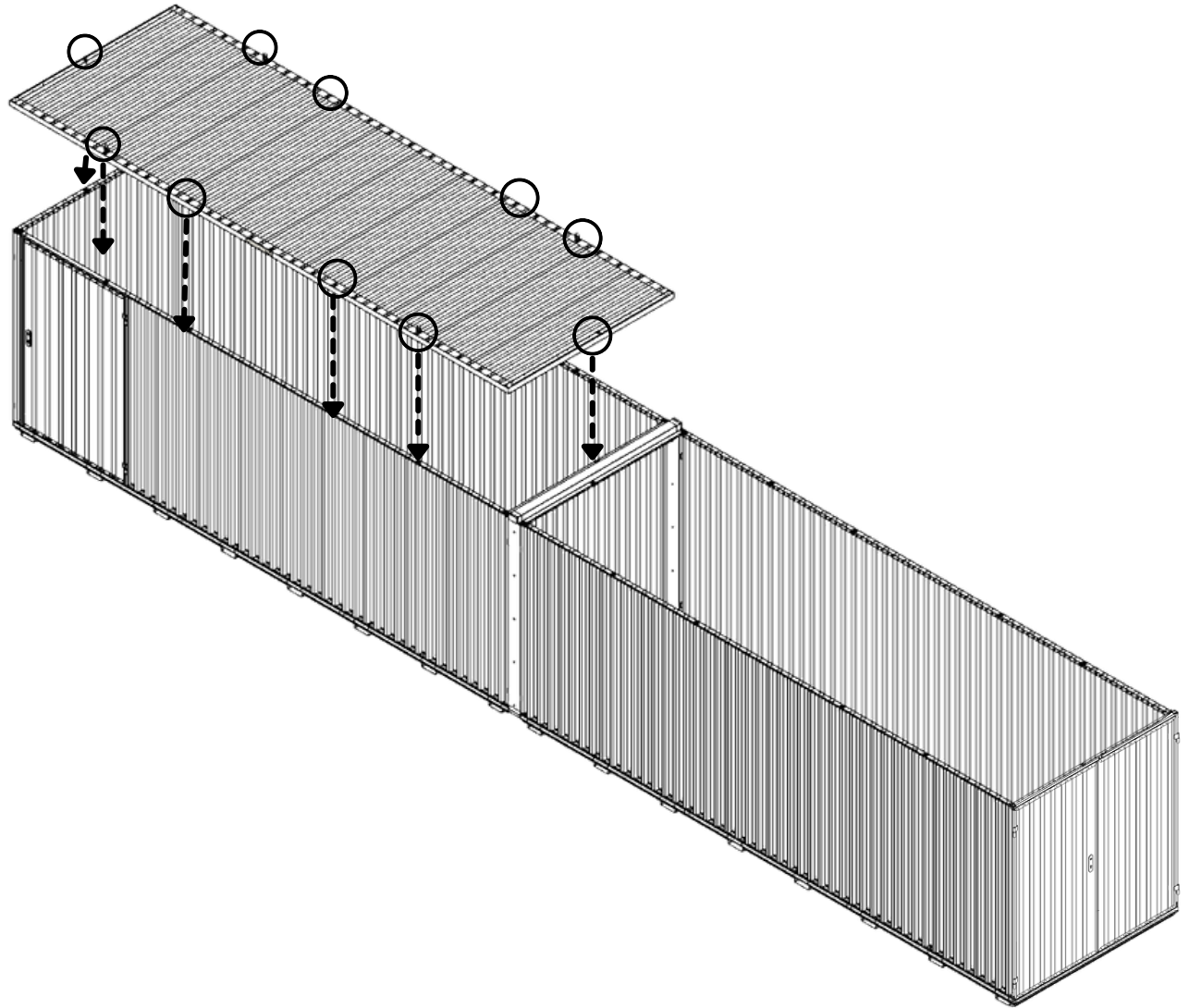




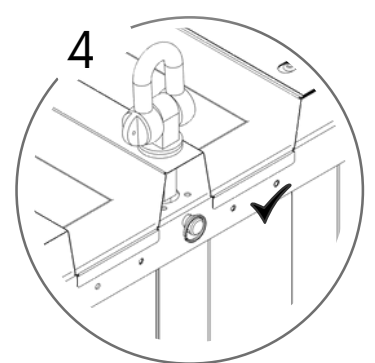
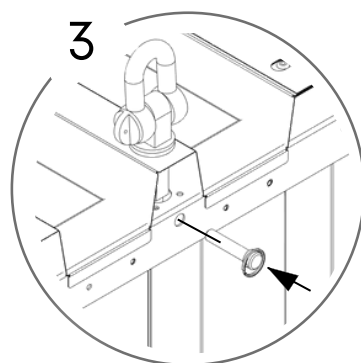
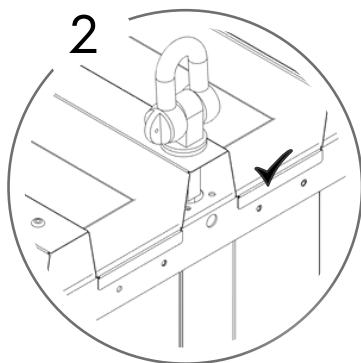
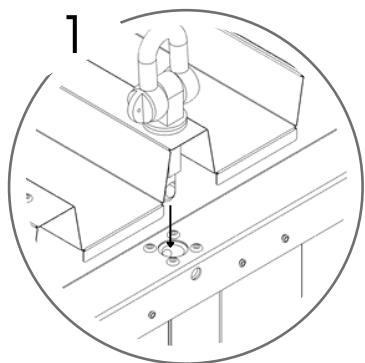
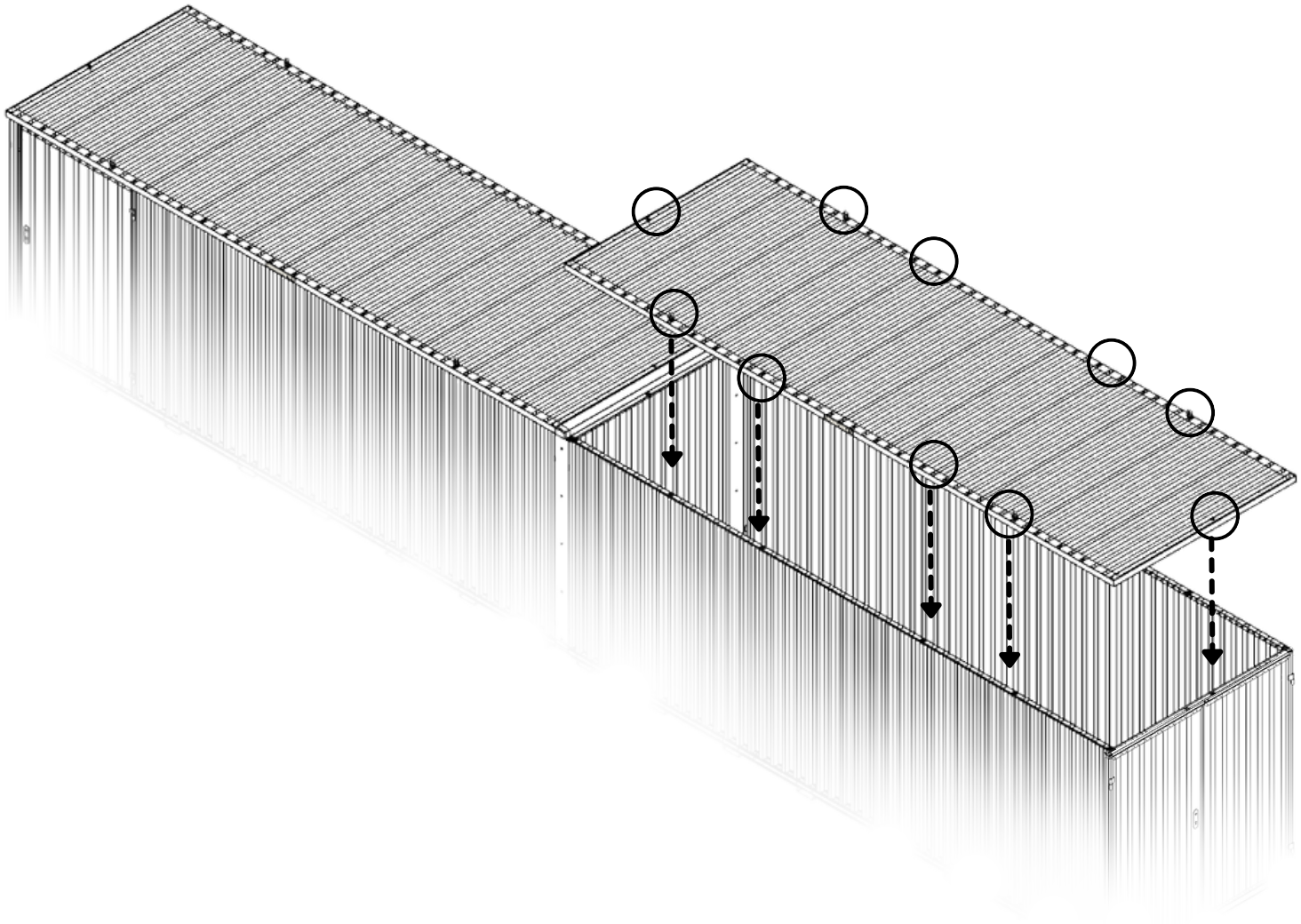
 1135 KG	 1640 MM	Model Code: 6060.110.450.330 Production Tracking Code:/X09.1.6060.450.330	 9001	 14001	 50001			
--	--	---	---	--	--	---	---	---



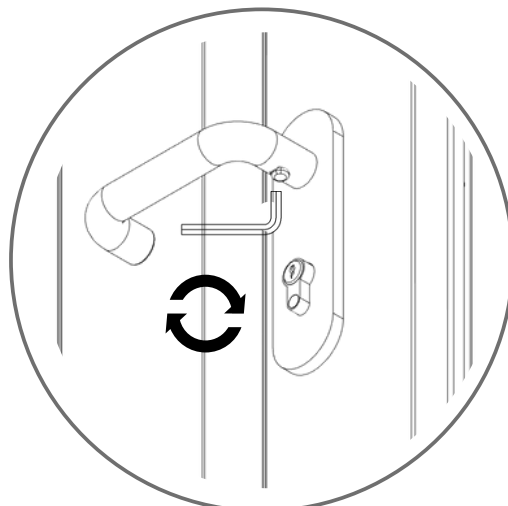
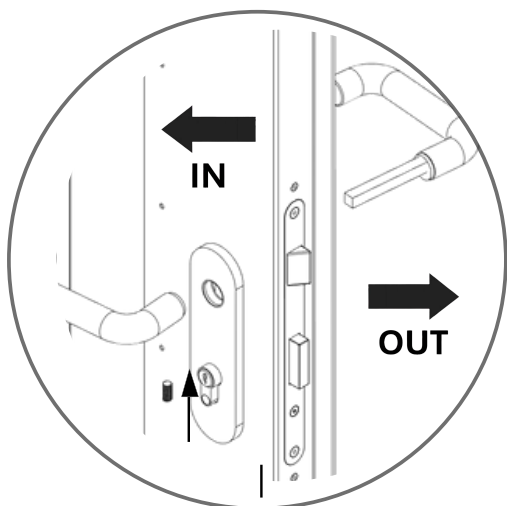
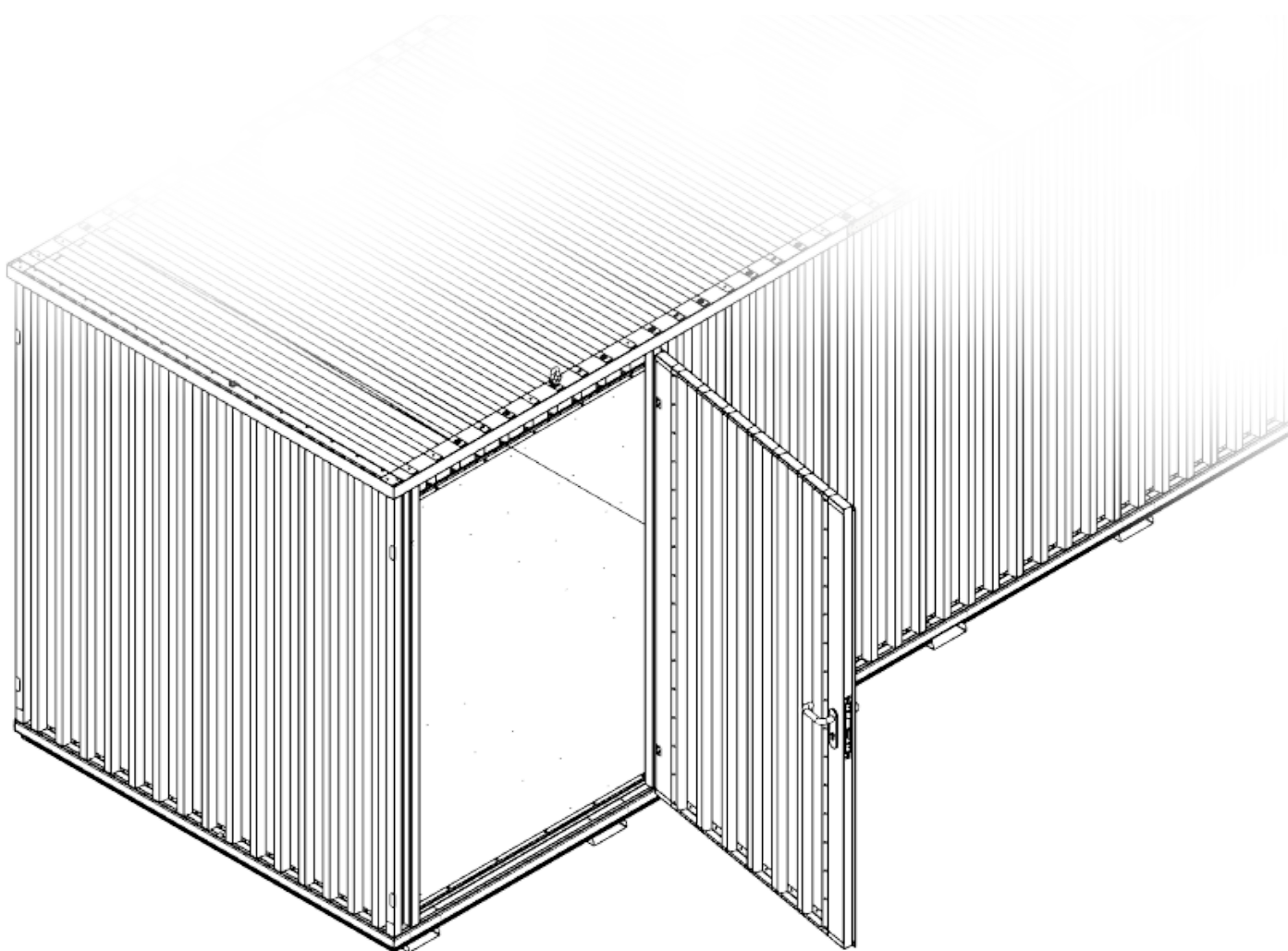
12



13



14



15

