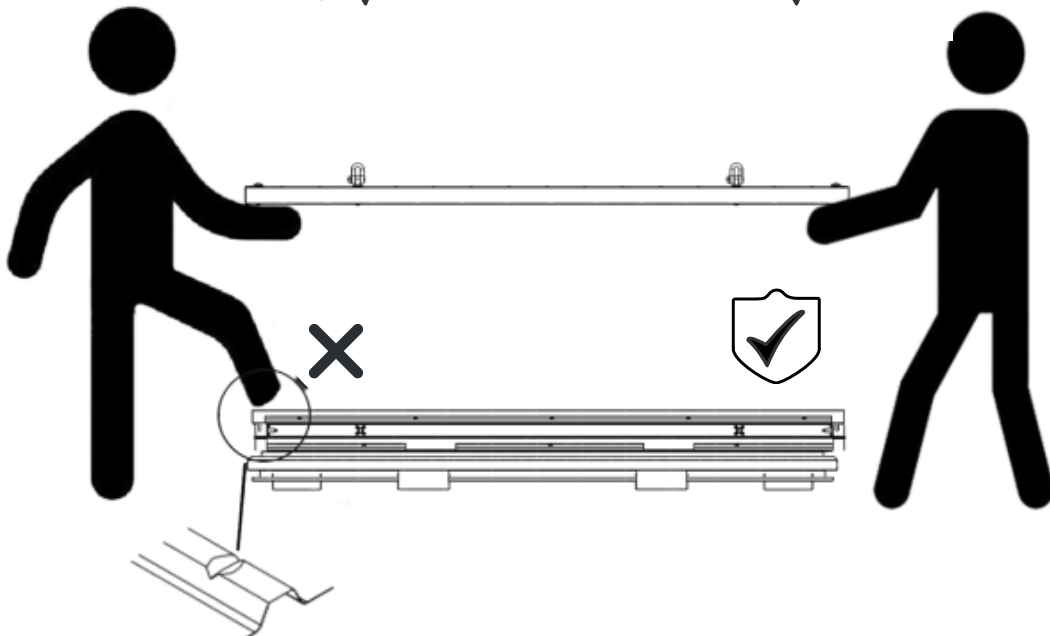
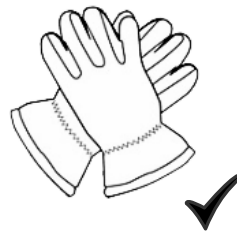


PRODUCT CODE:60.110.330.331

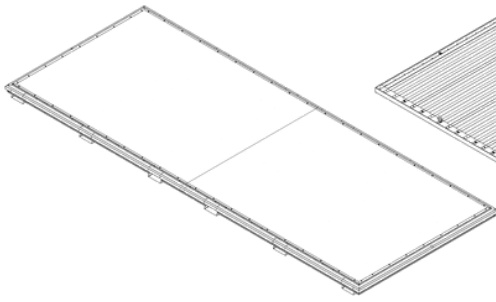
prefabase
Quick Build Solutions

Instructions and User Guide



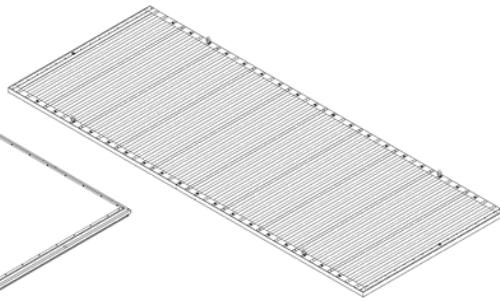
60.0110

1x



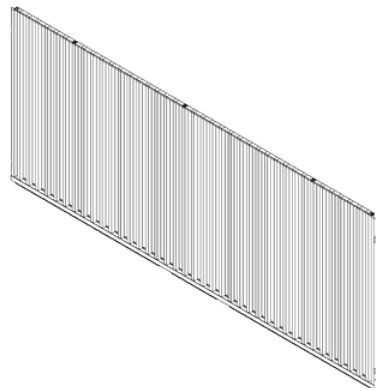
60.0510

1x



60.0410

2x

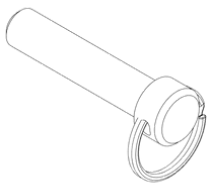


0330

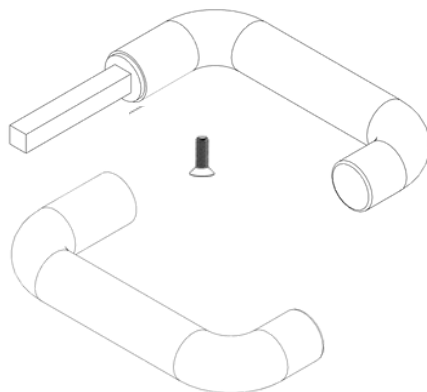
2x



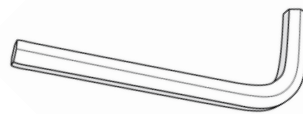
14x



2x



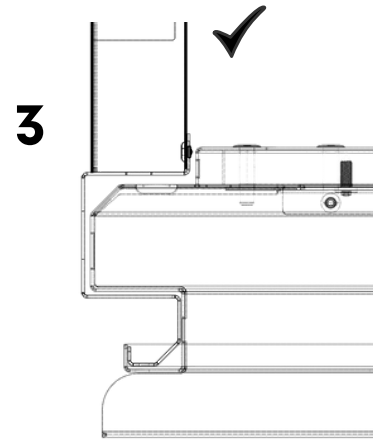
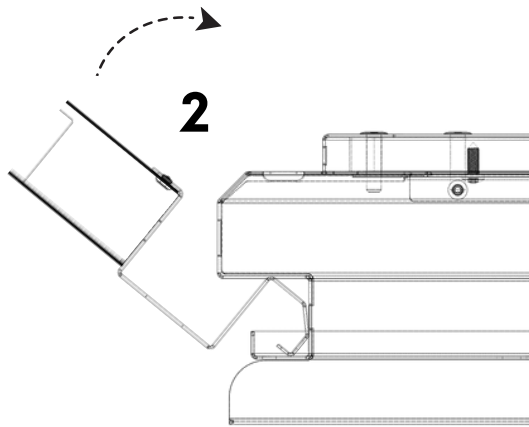
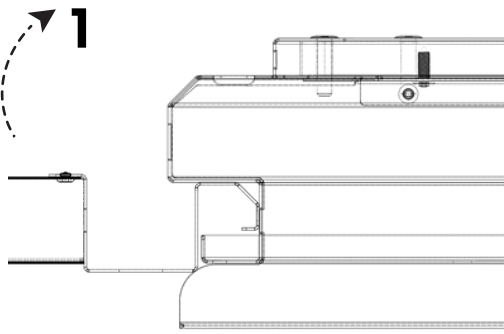
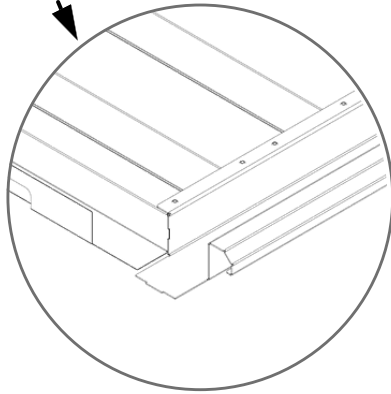
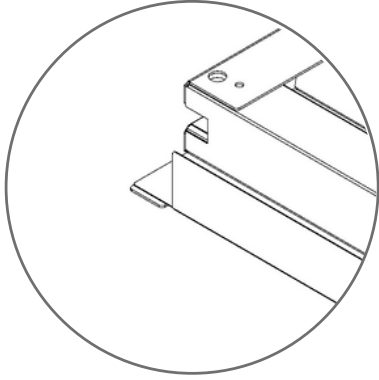
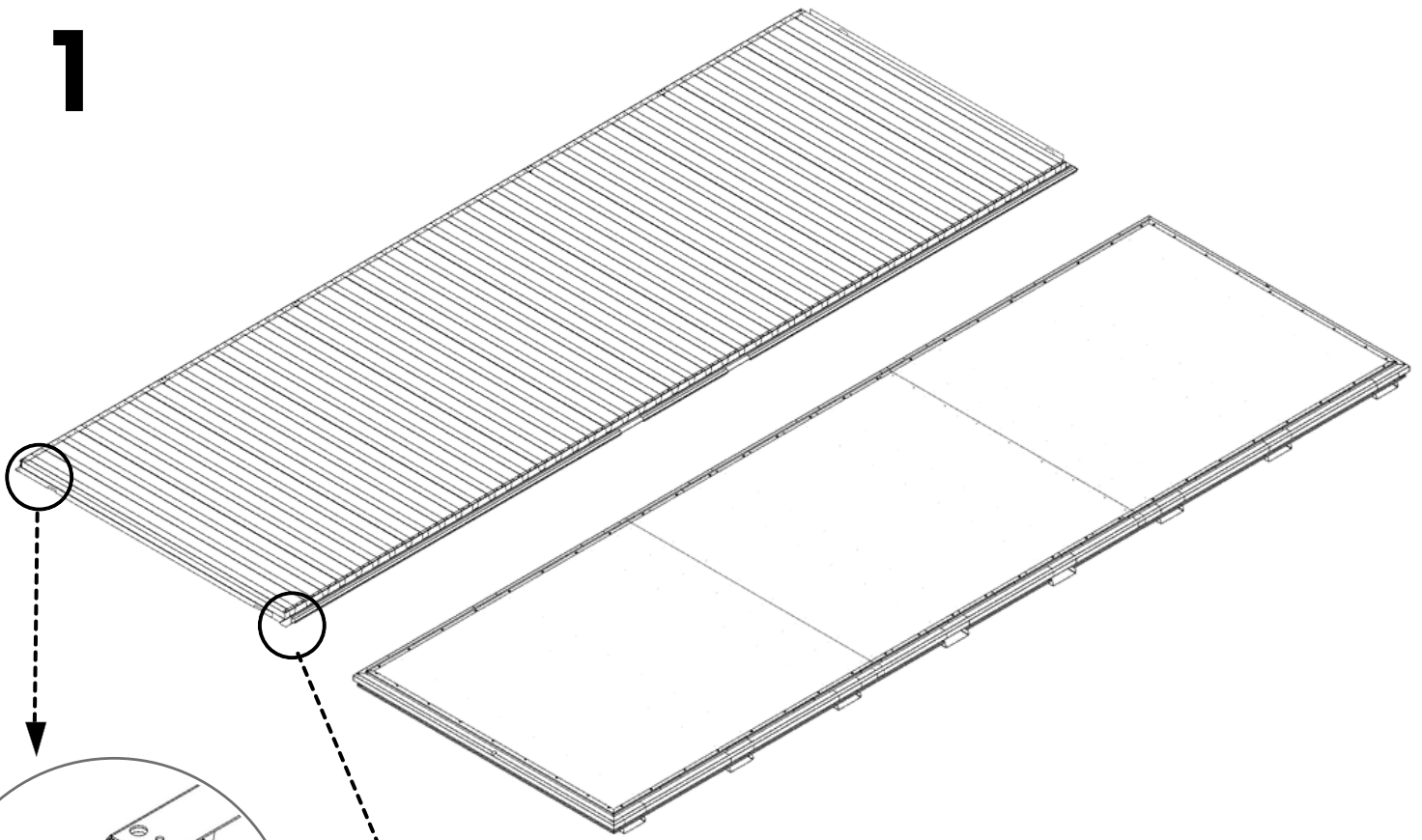
1x



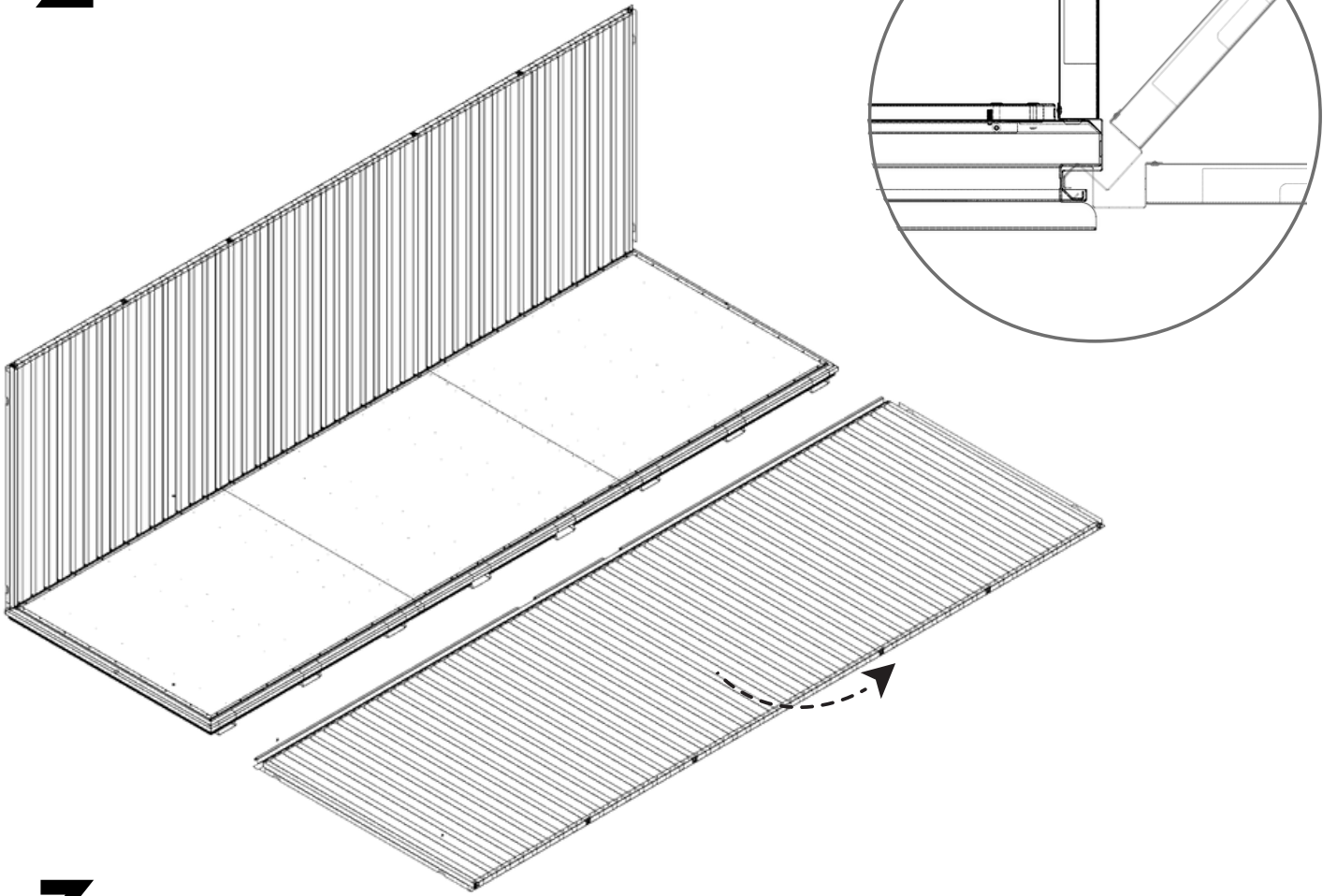
2x



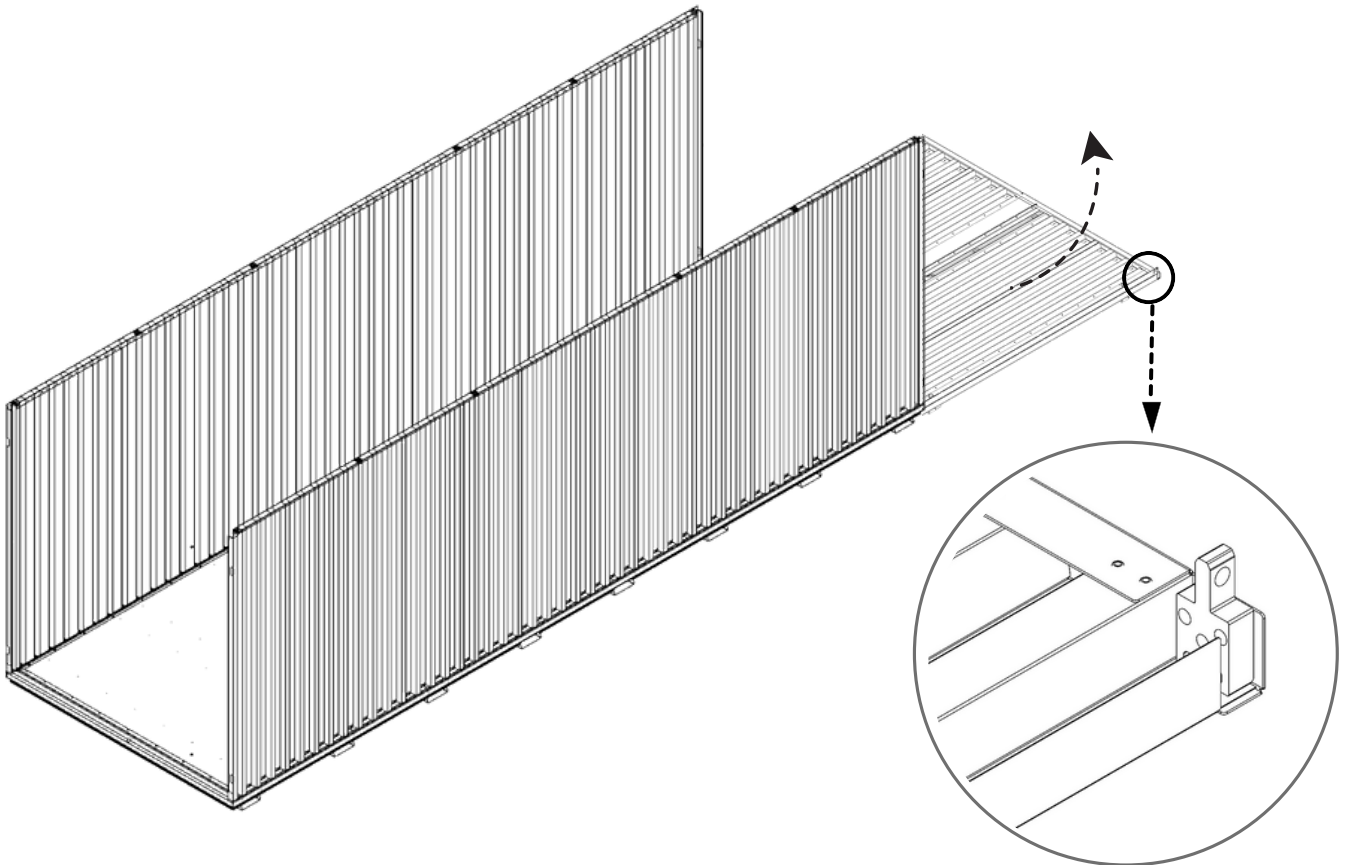
1



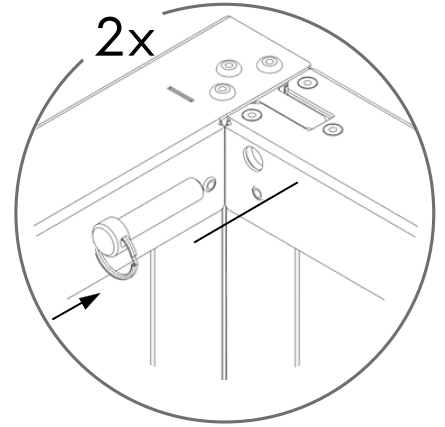
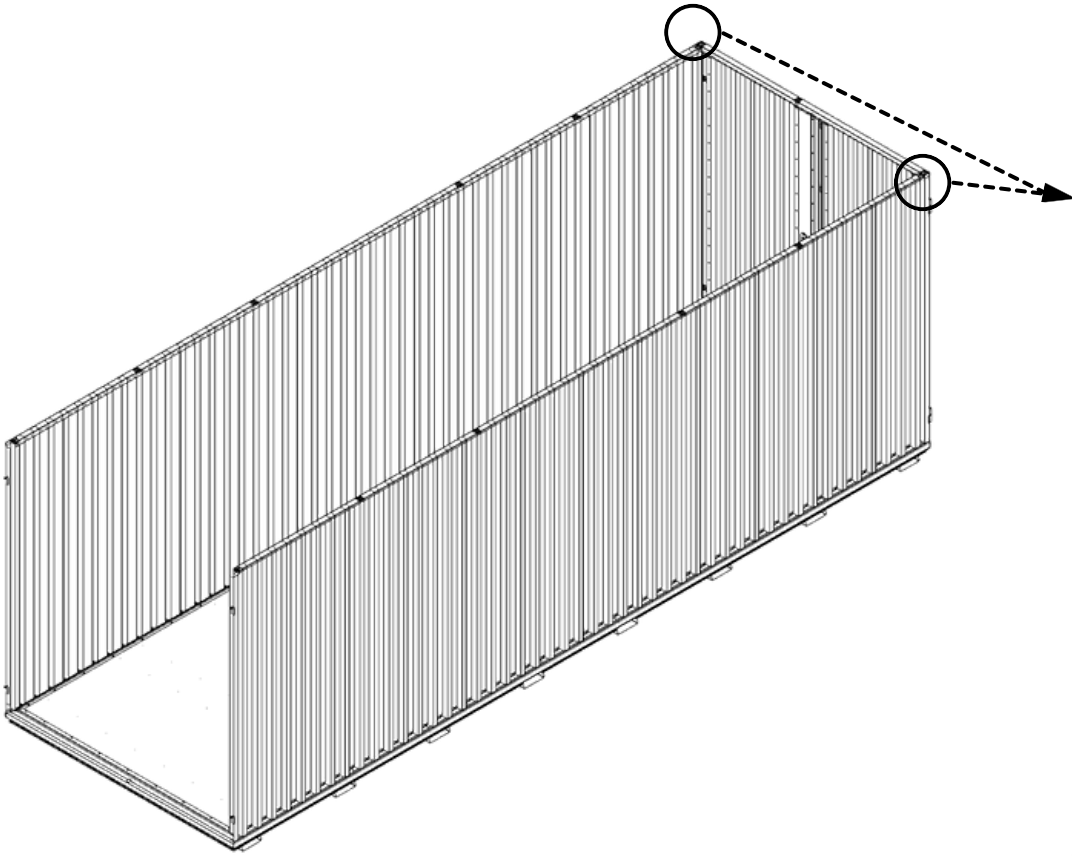
2



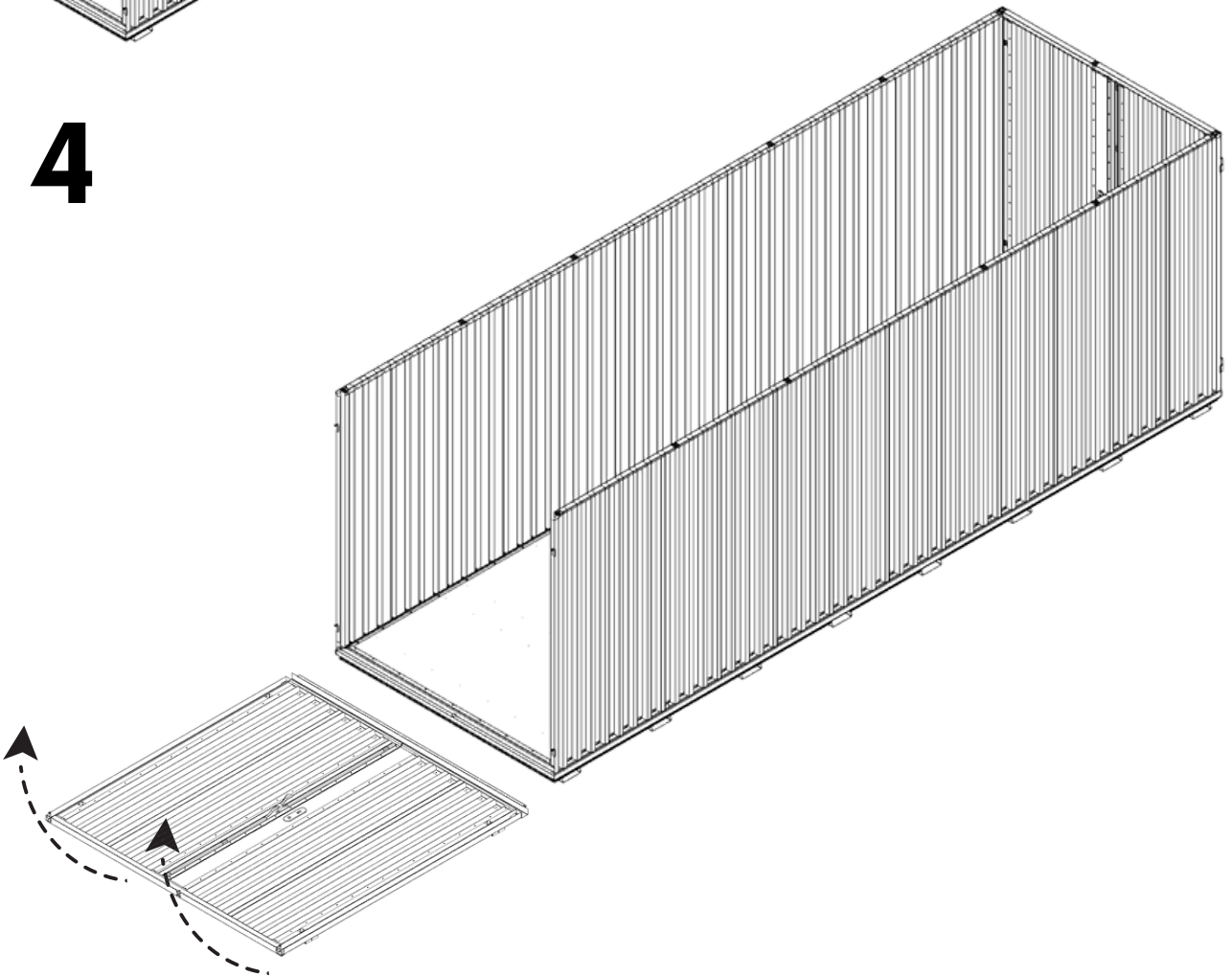
3



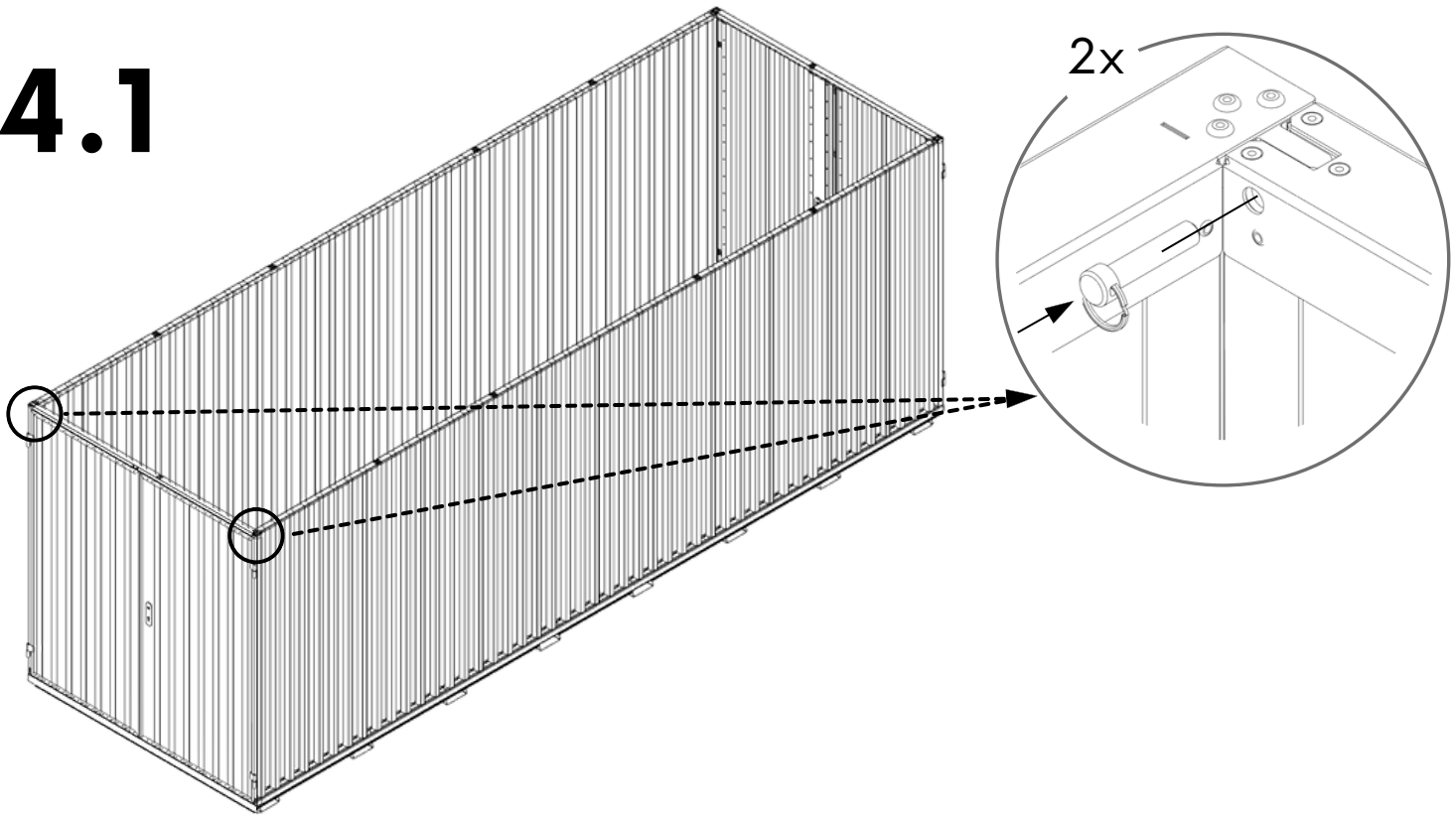
3.1











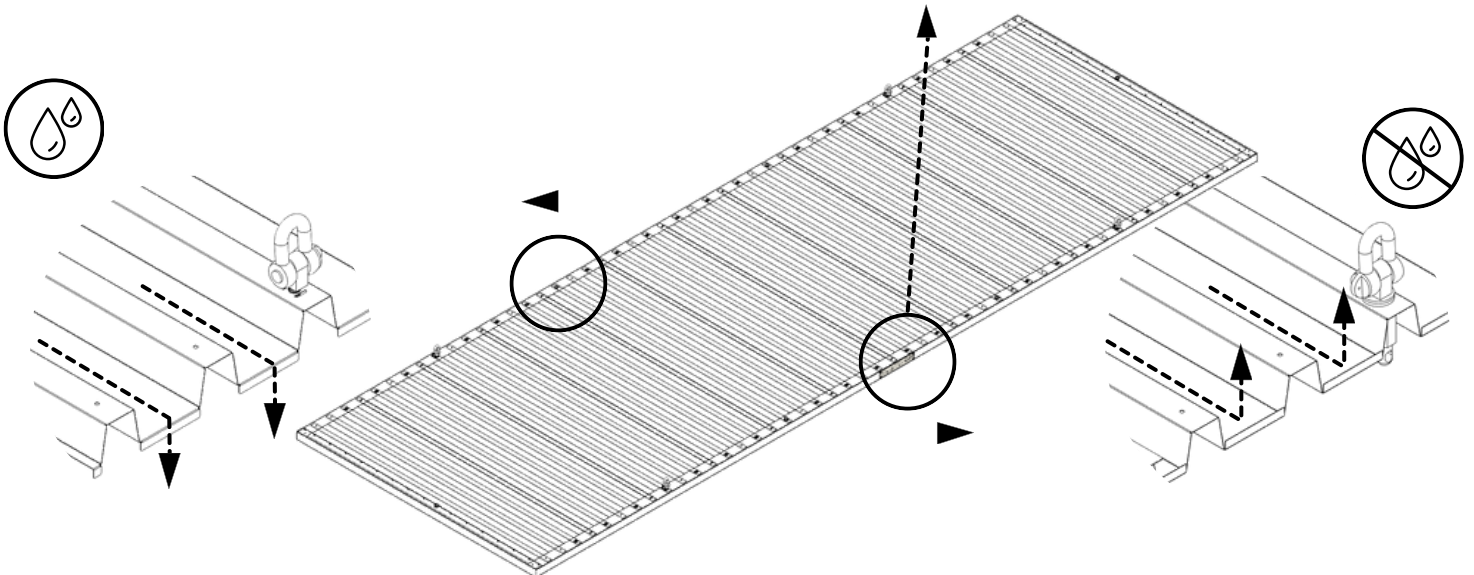
4



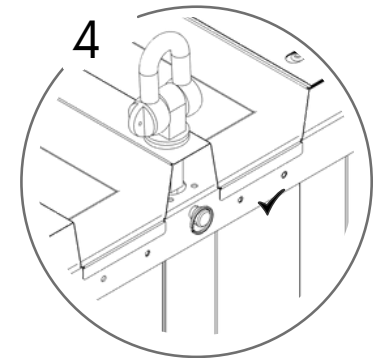
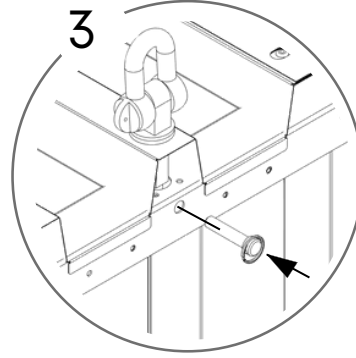
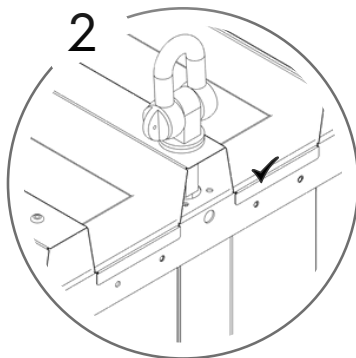
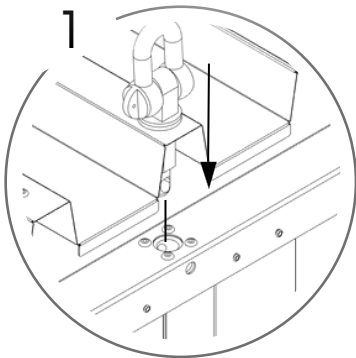
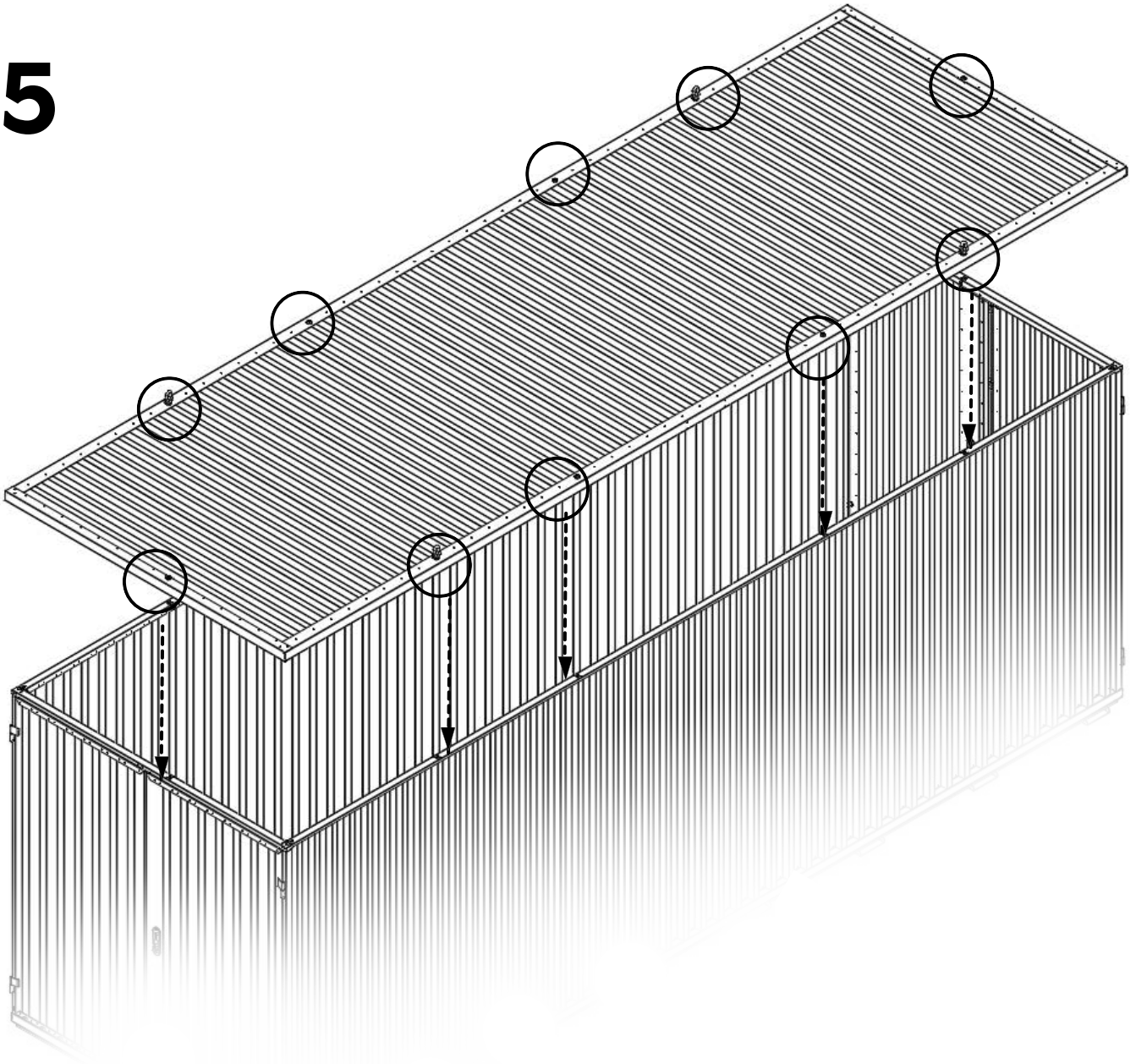
4.1



 610 KG	 1640 MM	Model Code: 60.110.330.331 Production Tracking Code:/X09.1.60.330.331    9001 14001 50001	 	
---	--	--	---	---



5



6

