

PRODUCT CODE: 20.110.320

prefabase
Quick Build Solutions

Instructions and User Guide



10.0110
1x

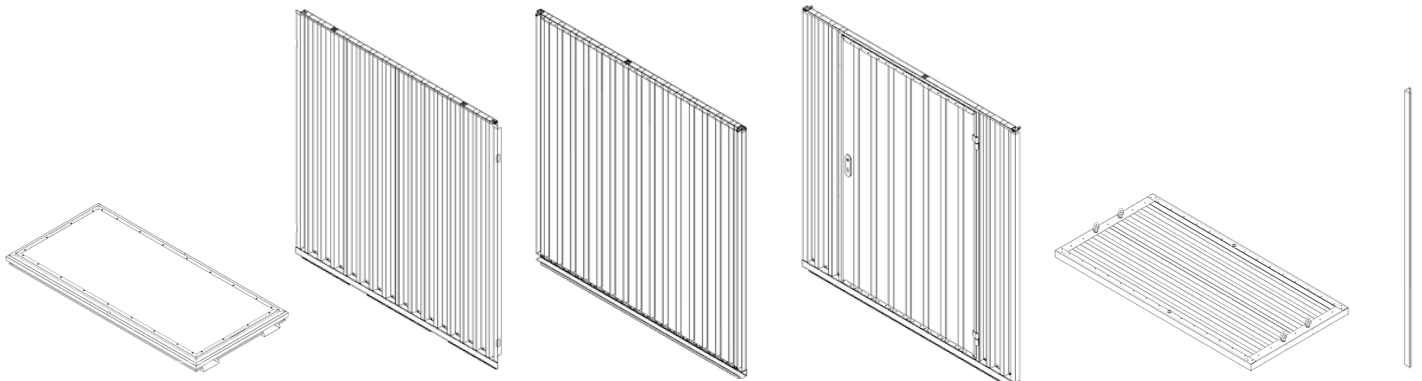
20.0410
2x

0310
1x

0210/0320
1x

10.0510
1x

0099.61.101
4x





10x



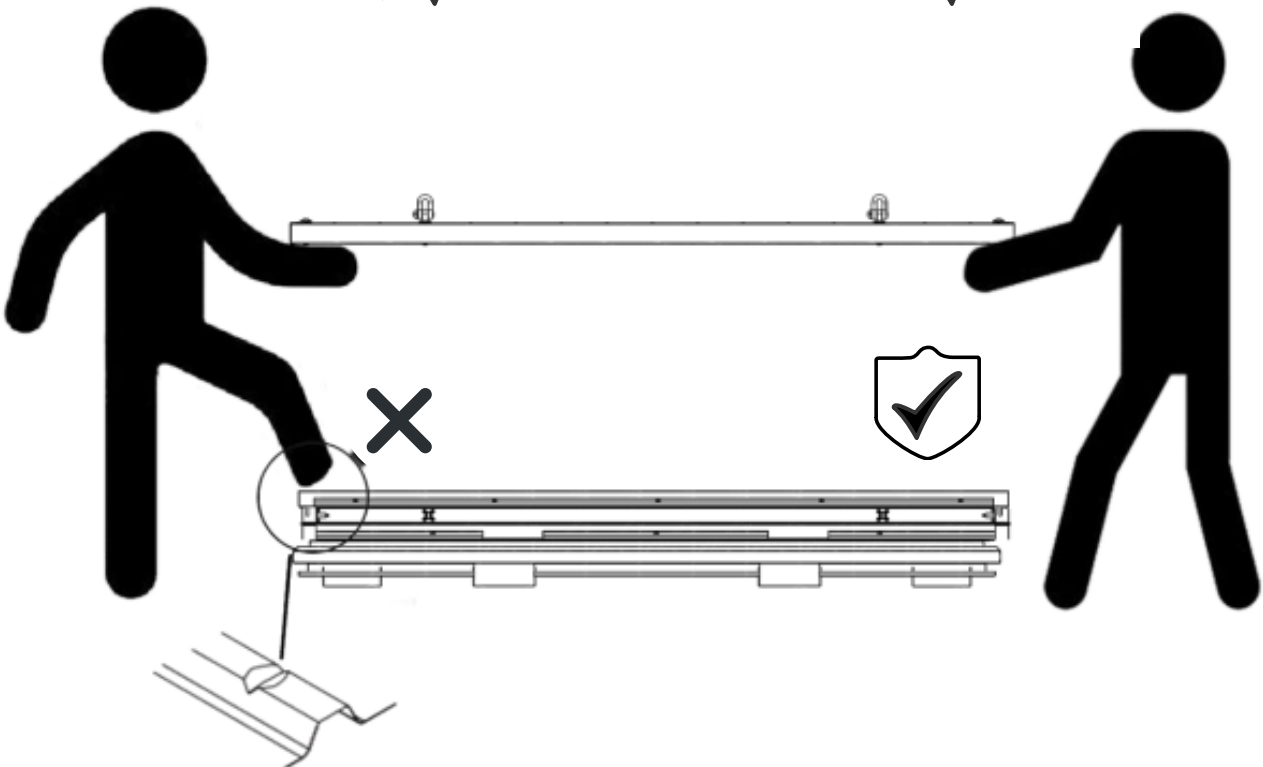
1x



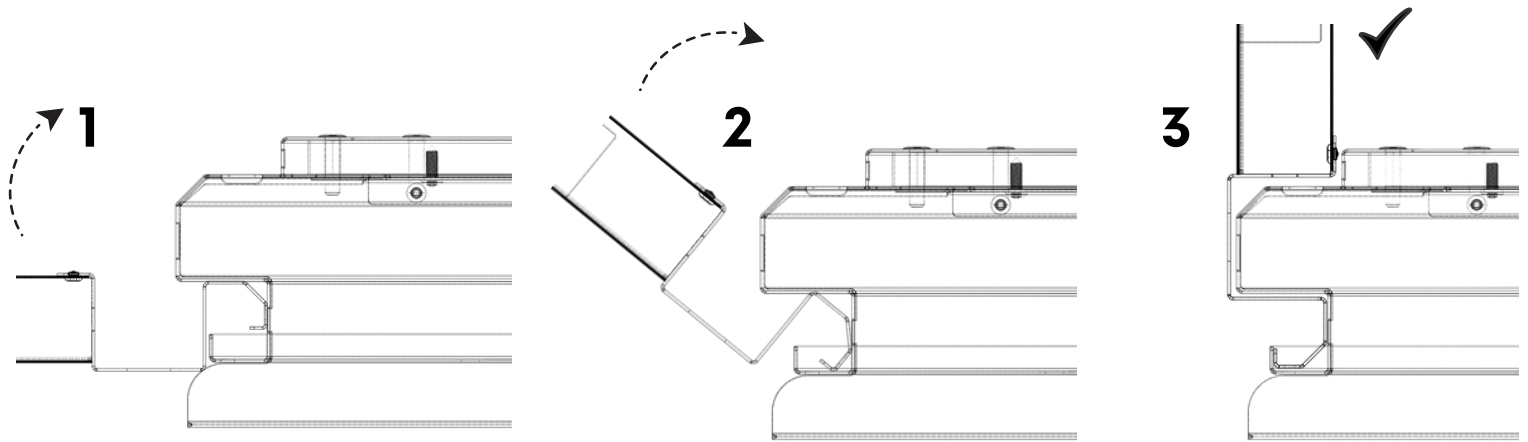
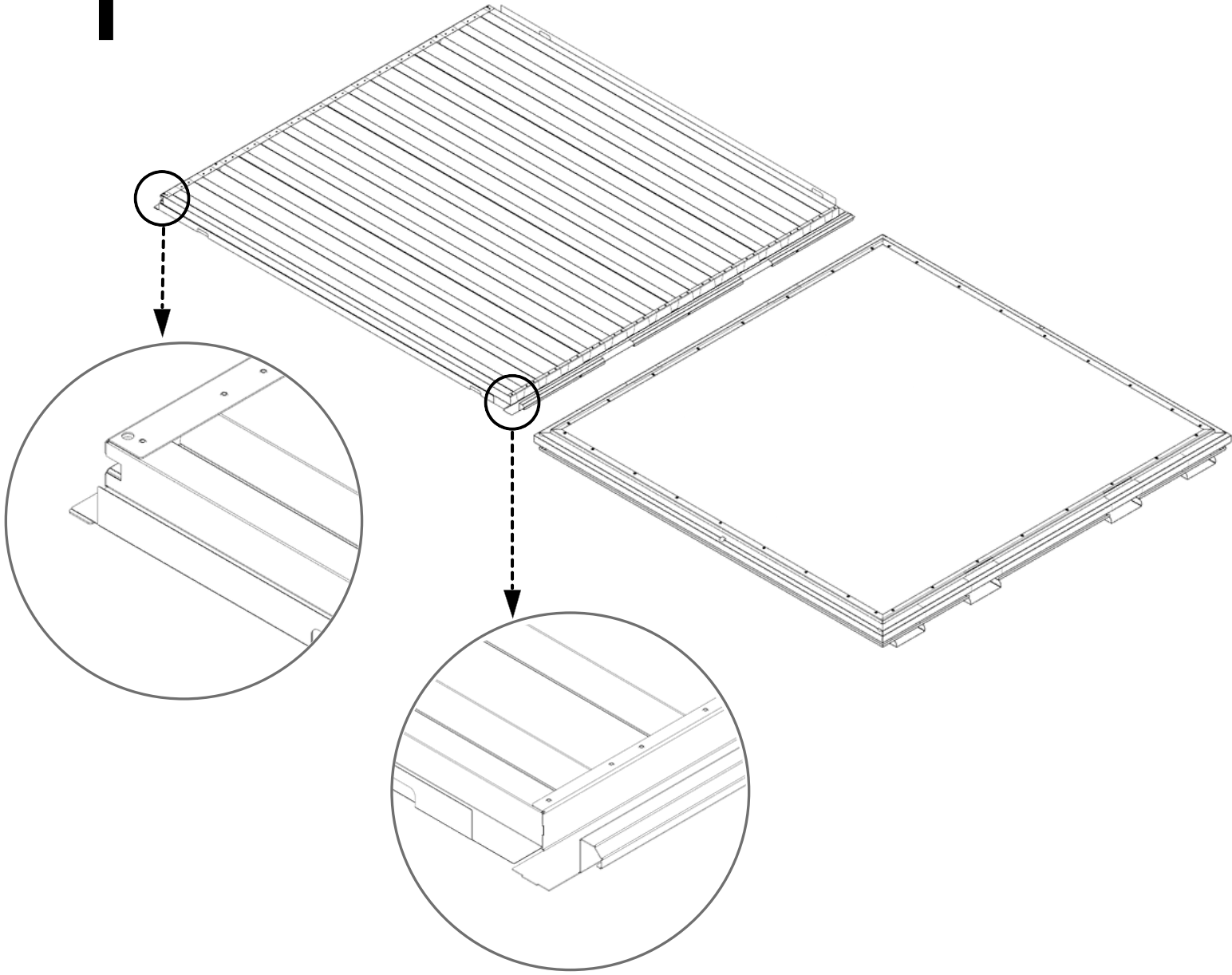
1x



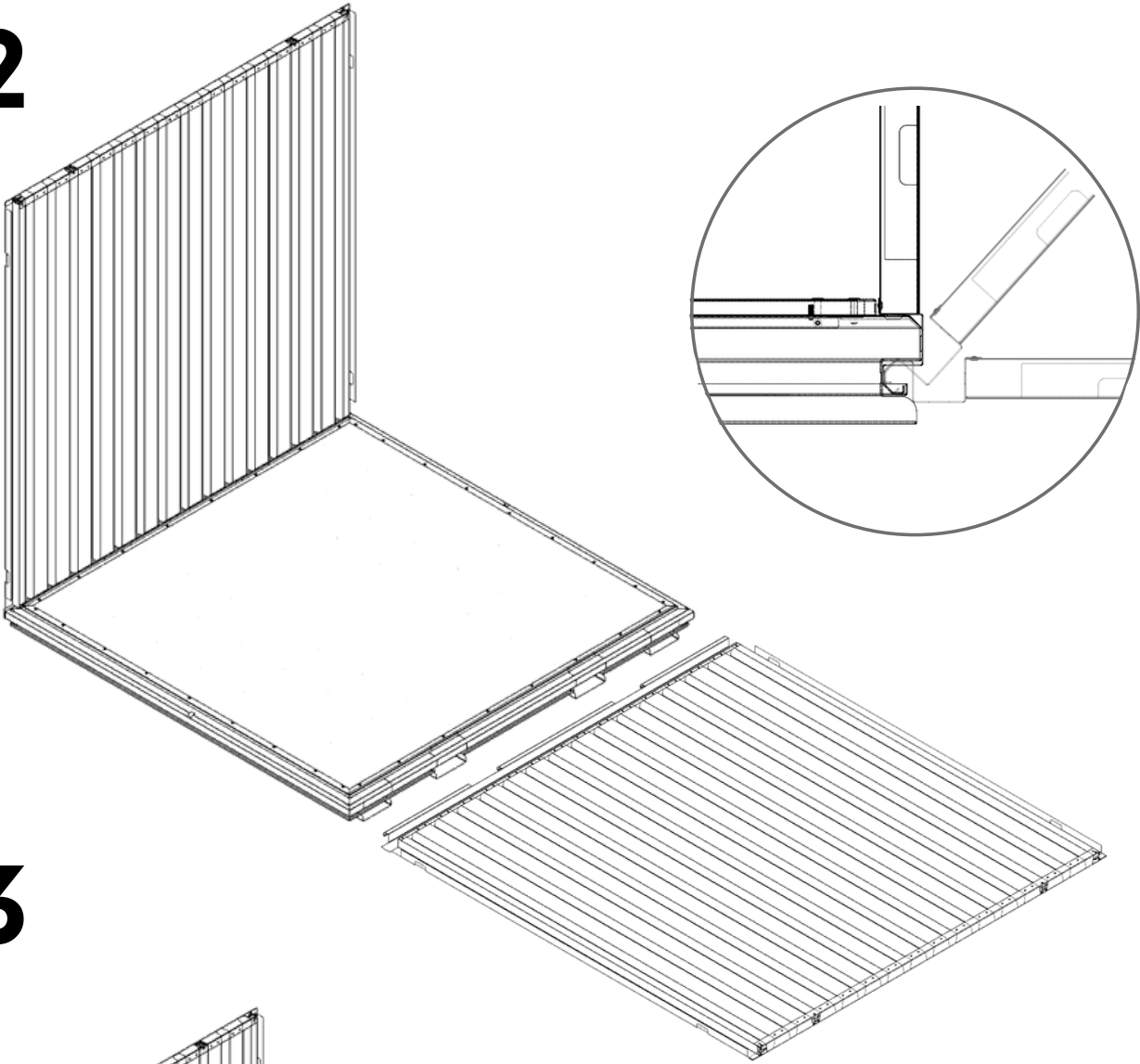
1x



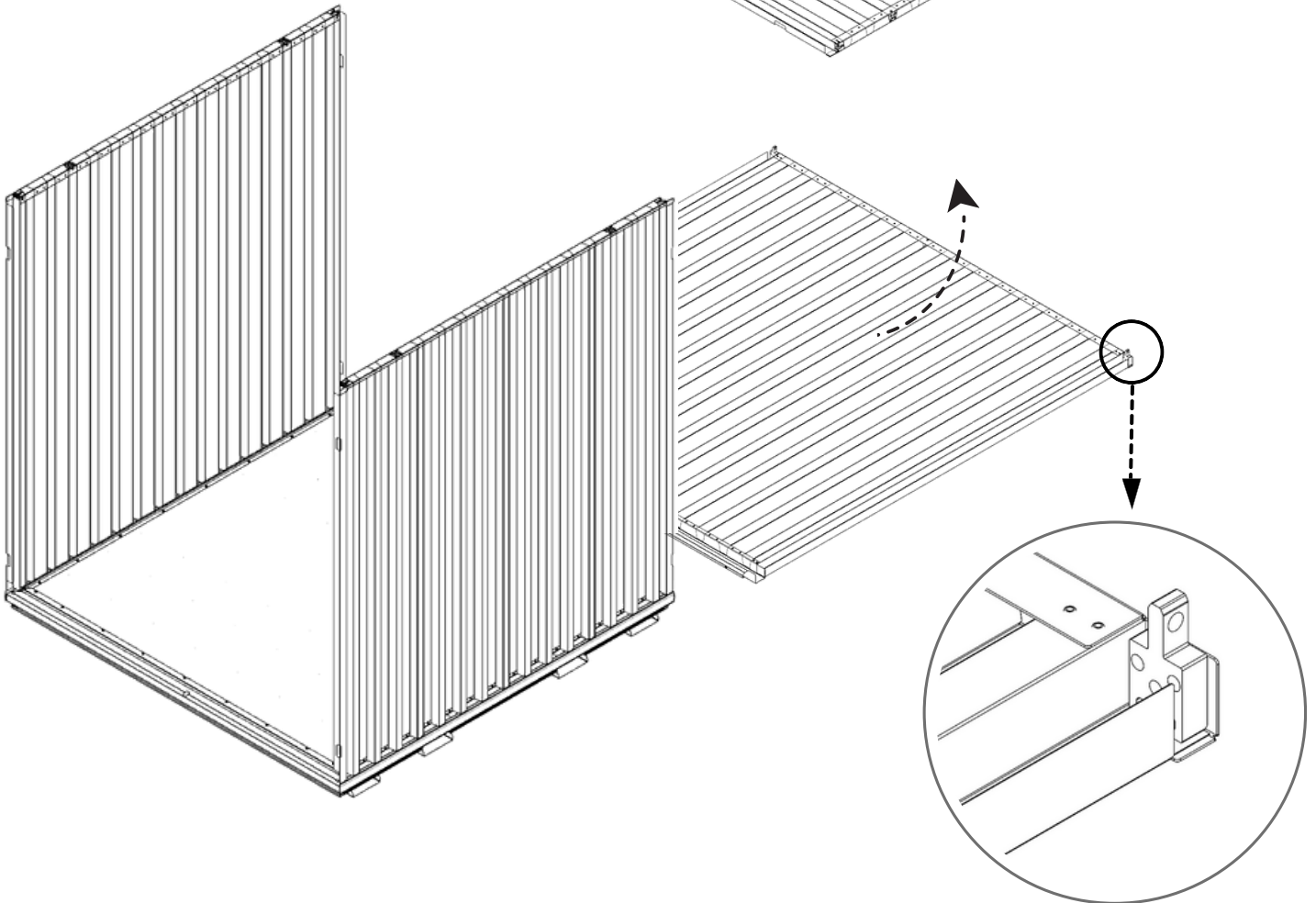
1



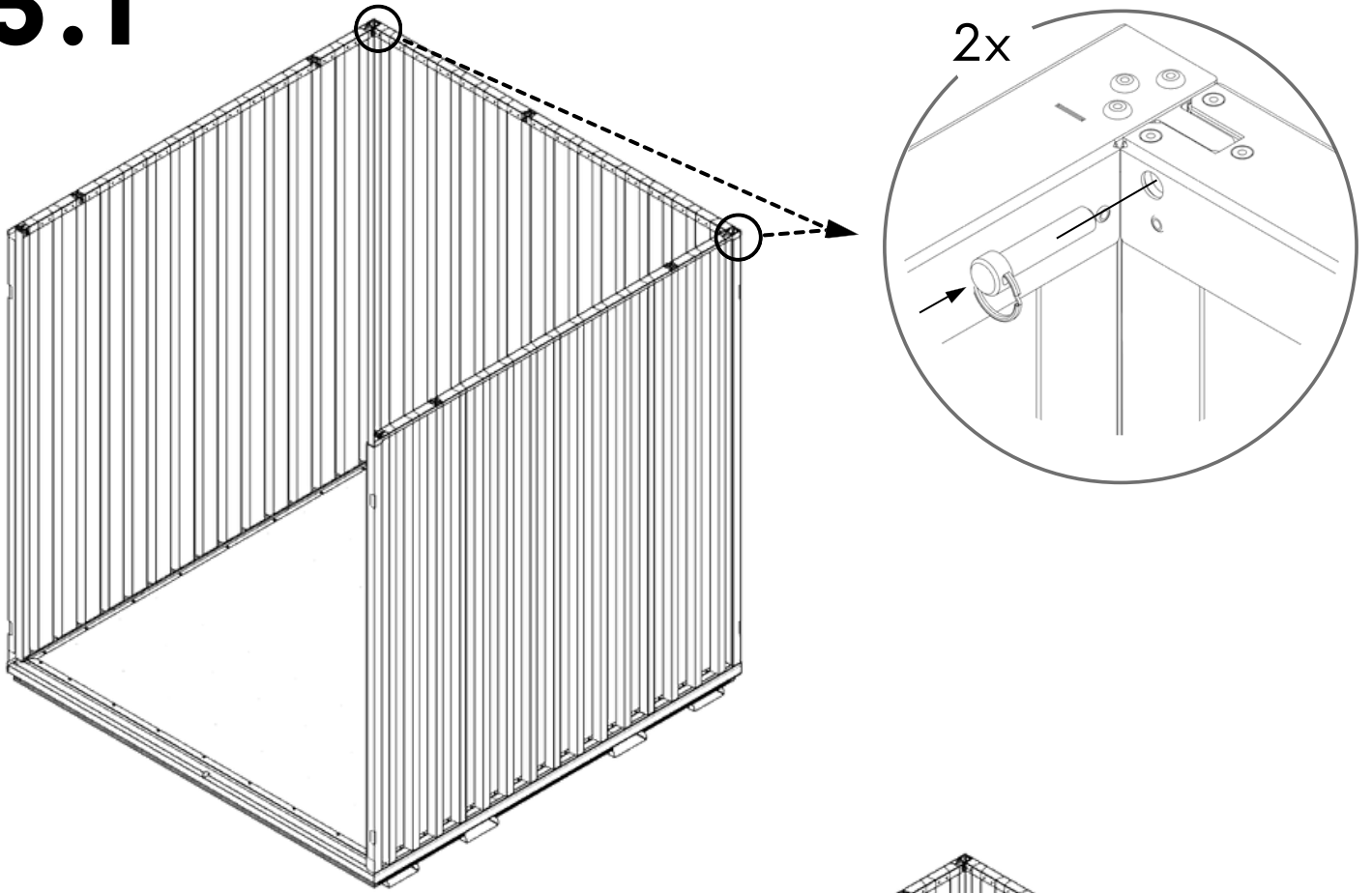
2



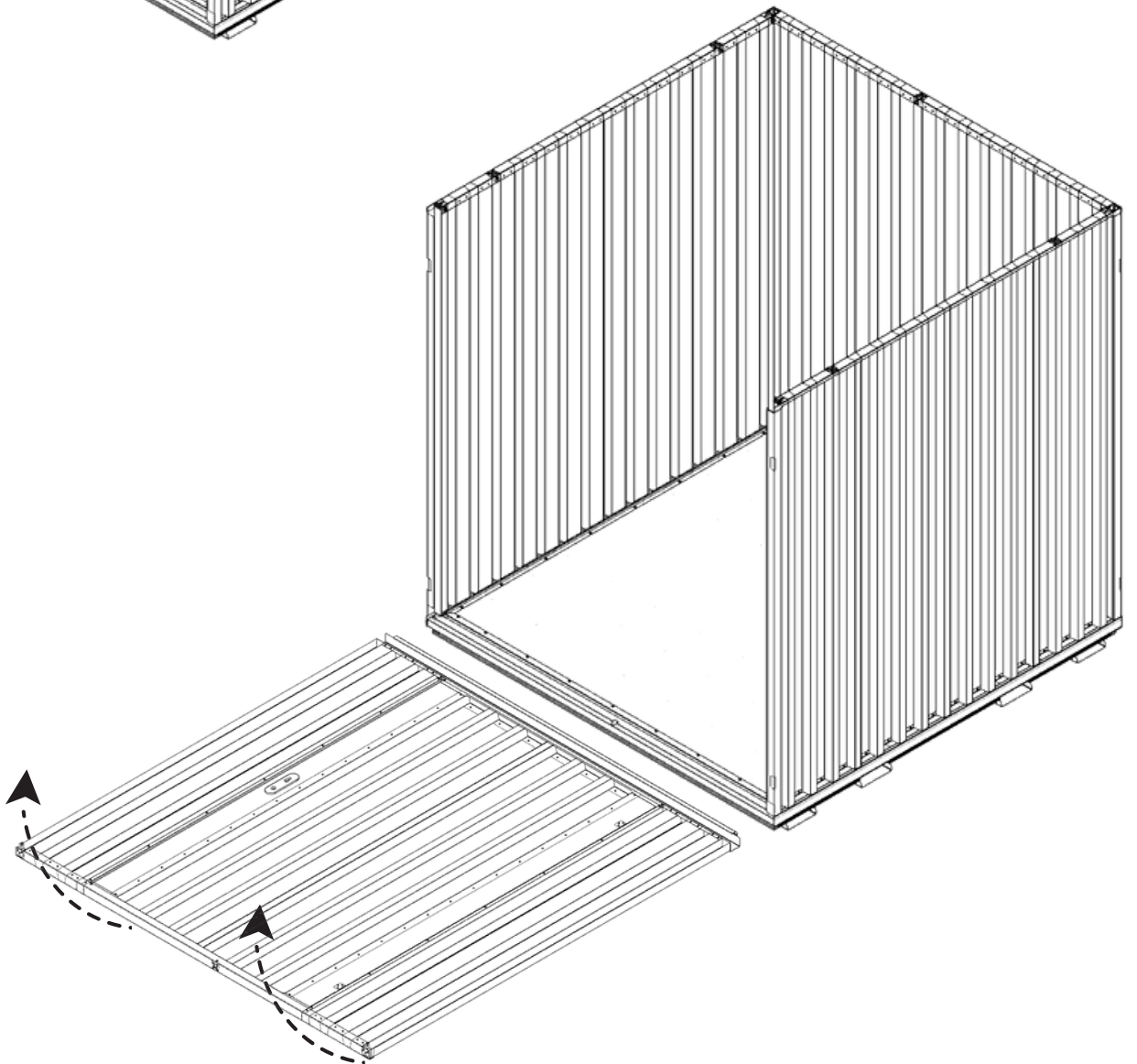
3



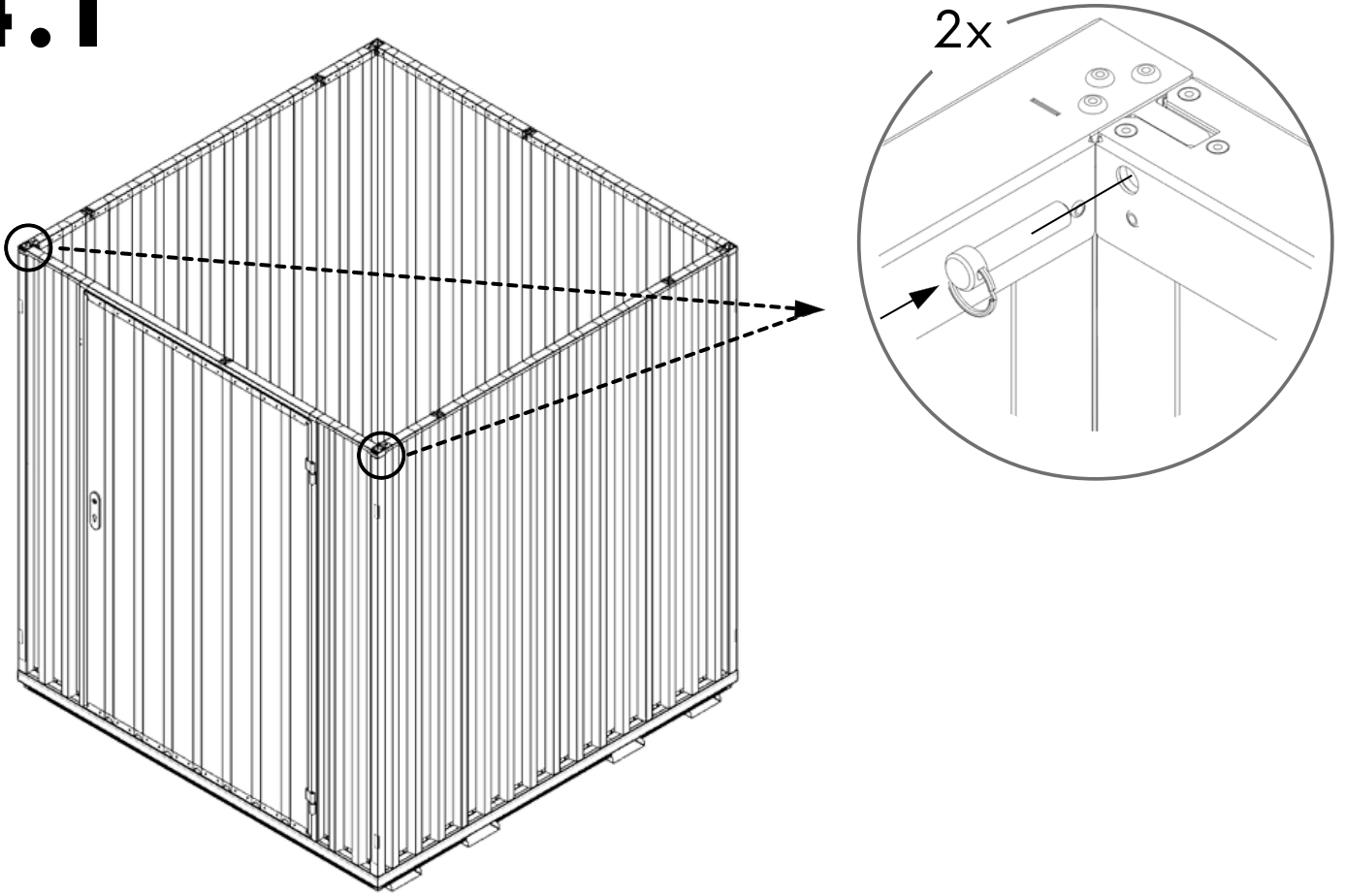
3.1












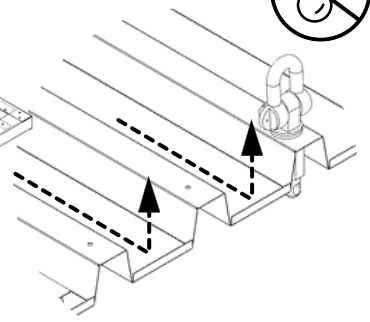
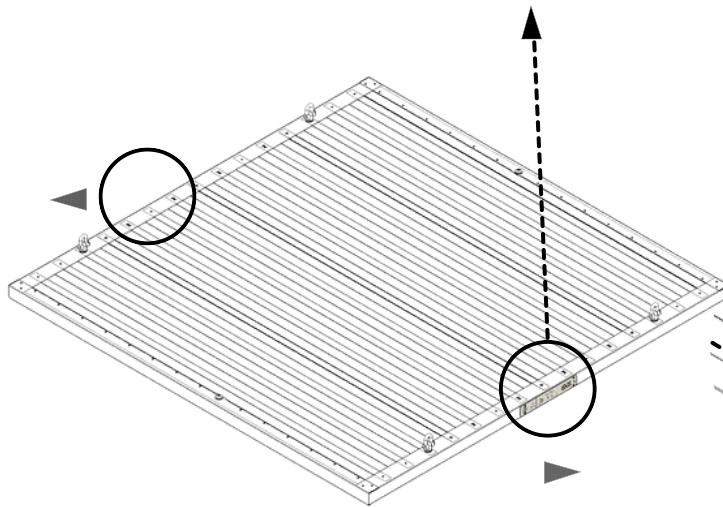
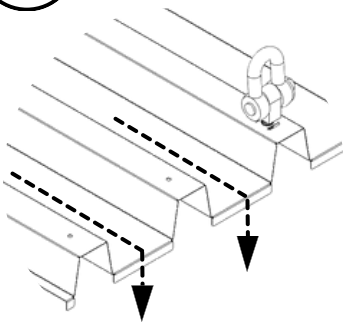
4



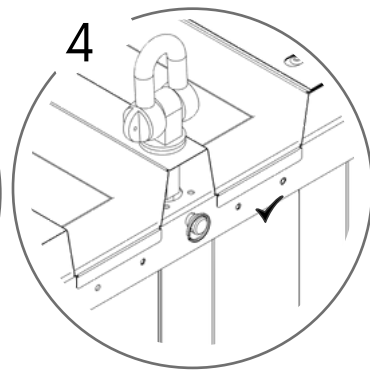
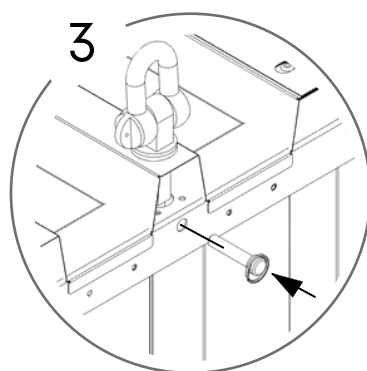
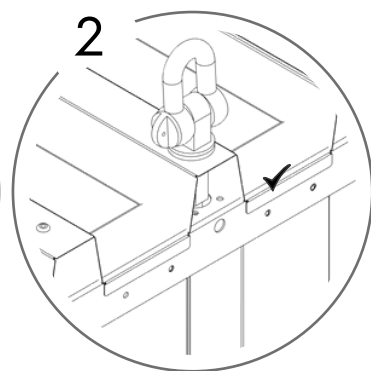
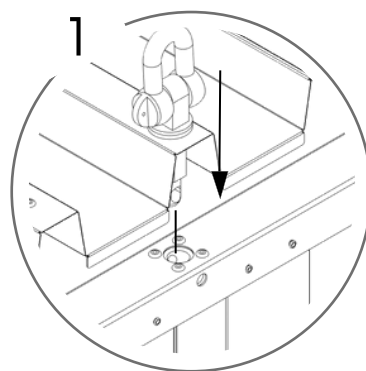
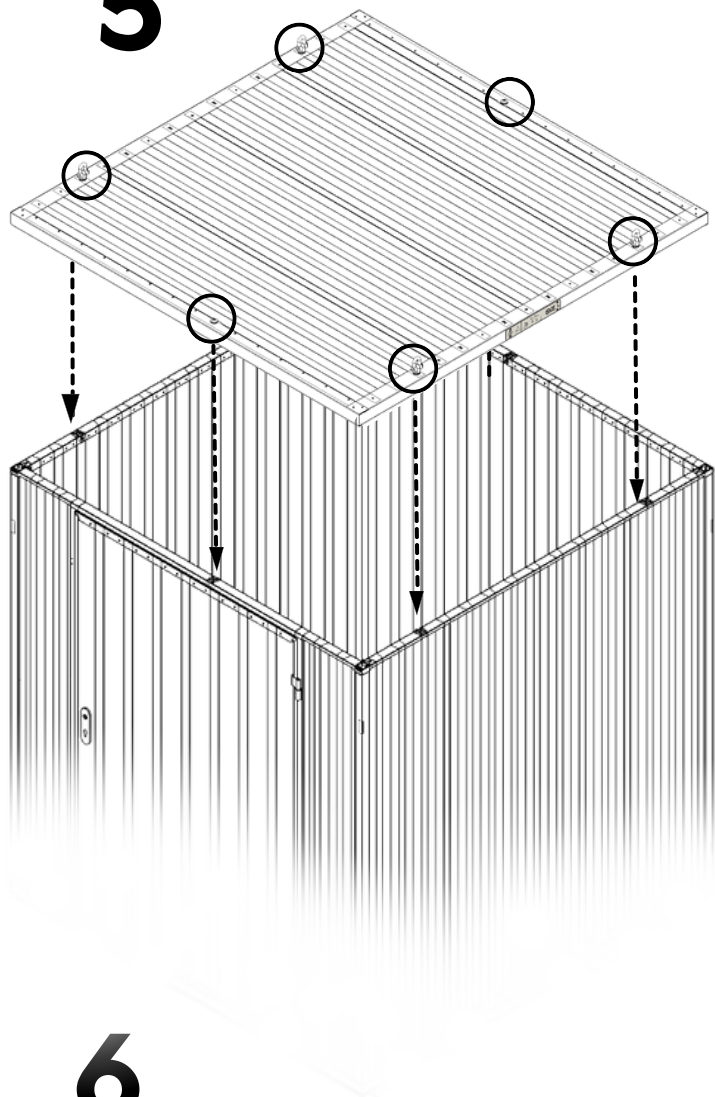
4.1



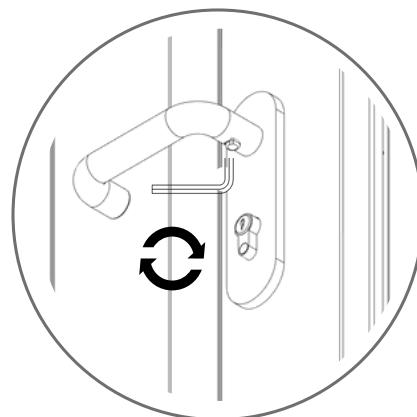
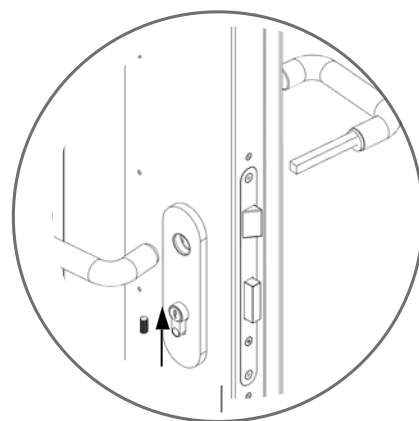
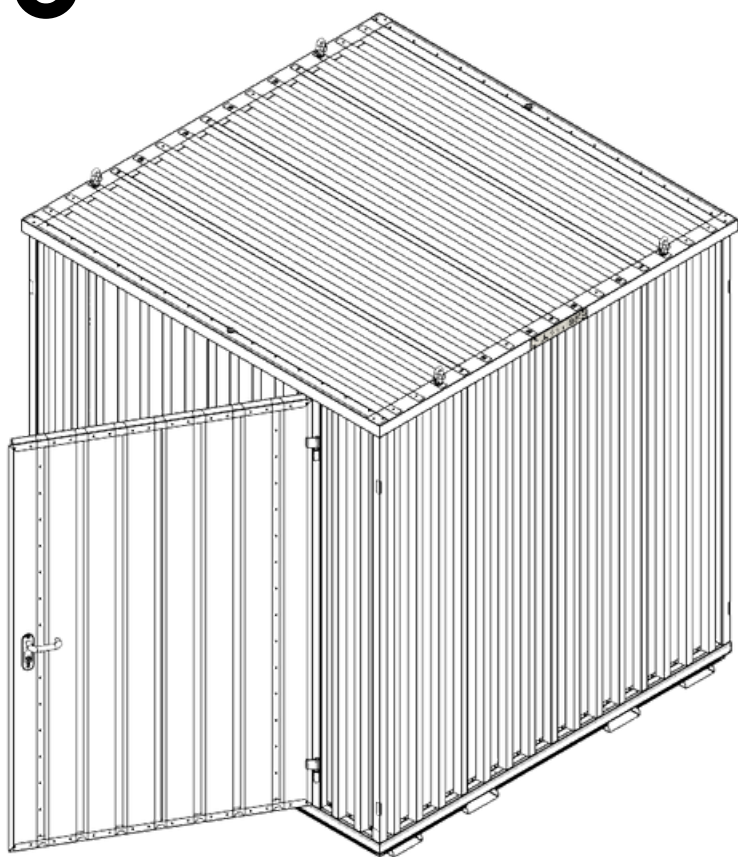
 337 KG	 3 TON	 1640 MM	Model Code: 30.110.420 Production Tracking Code:/X09.1.30.420  9001  14001  50001	  
---	--	--	--	---



5



6



7

