

PRODUCT CODE:40.110.440.320

**prefabase**  
Quick Build Solutions

Instructions and User Guide



40.0110  
1x

40.0410  
1x

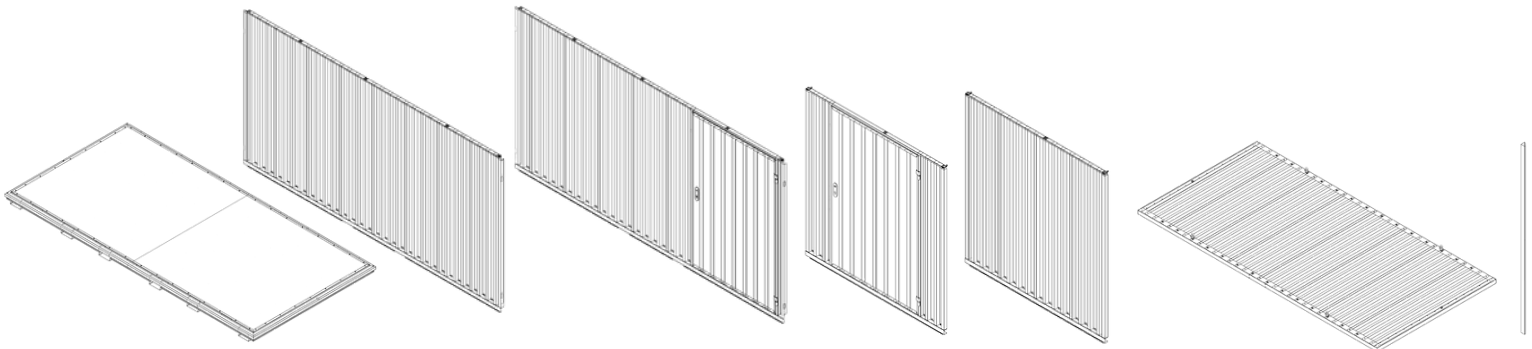
40.0440/0210  
1x

0210/0320  
1x

0310  
1x

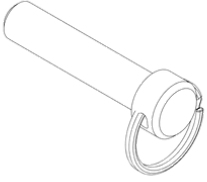
40.0510  
1x

0099.61.101  
4x

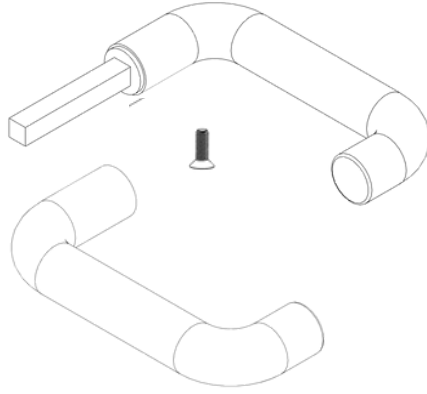




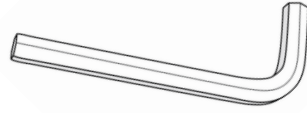
12x



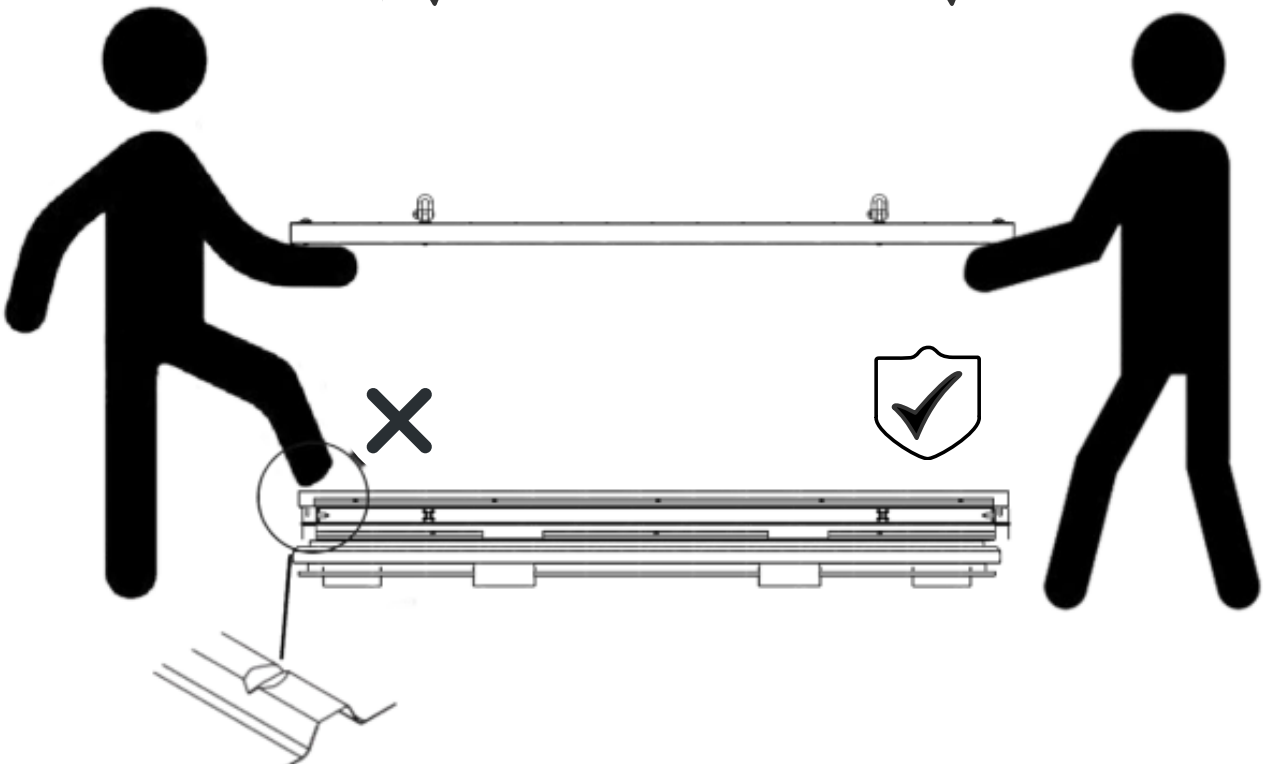
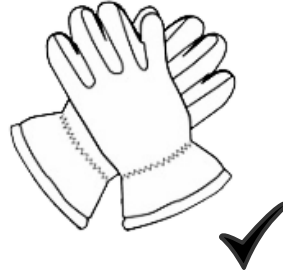
2x



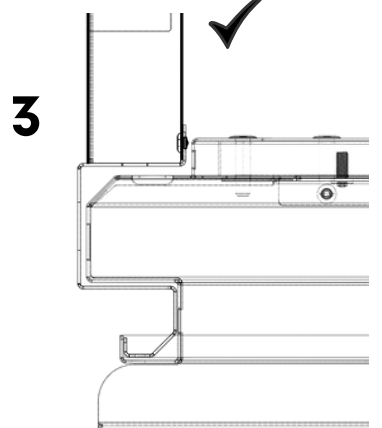
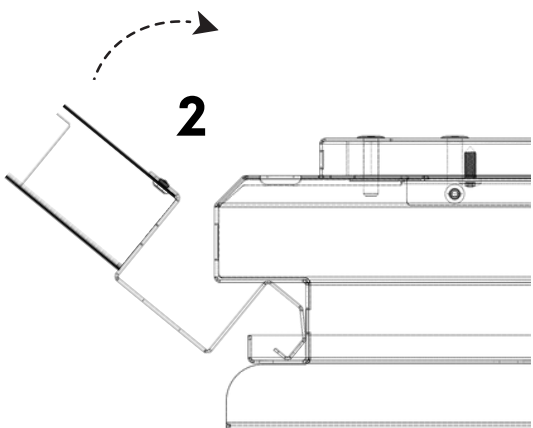
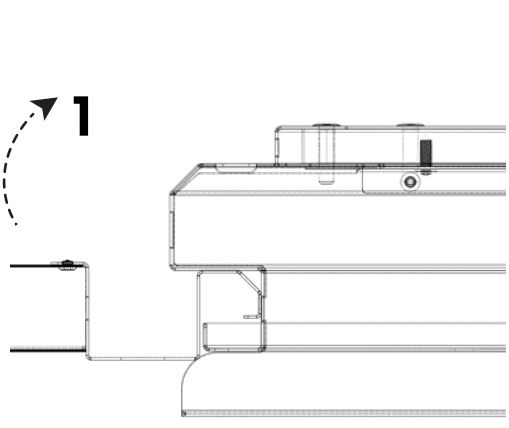
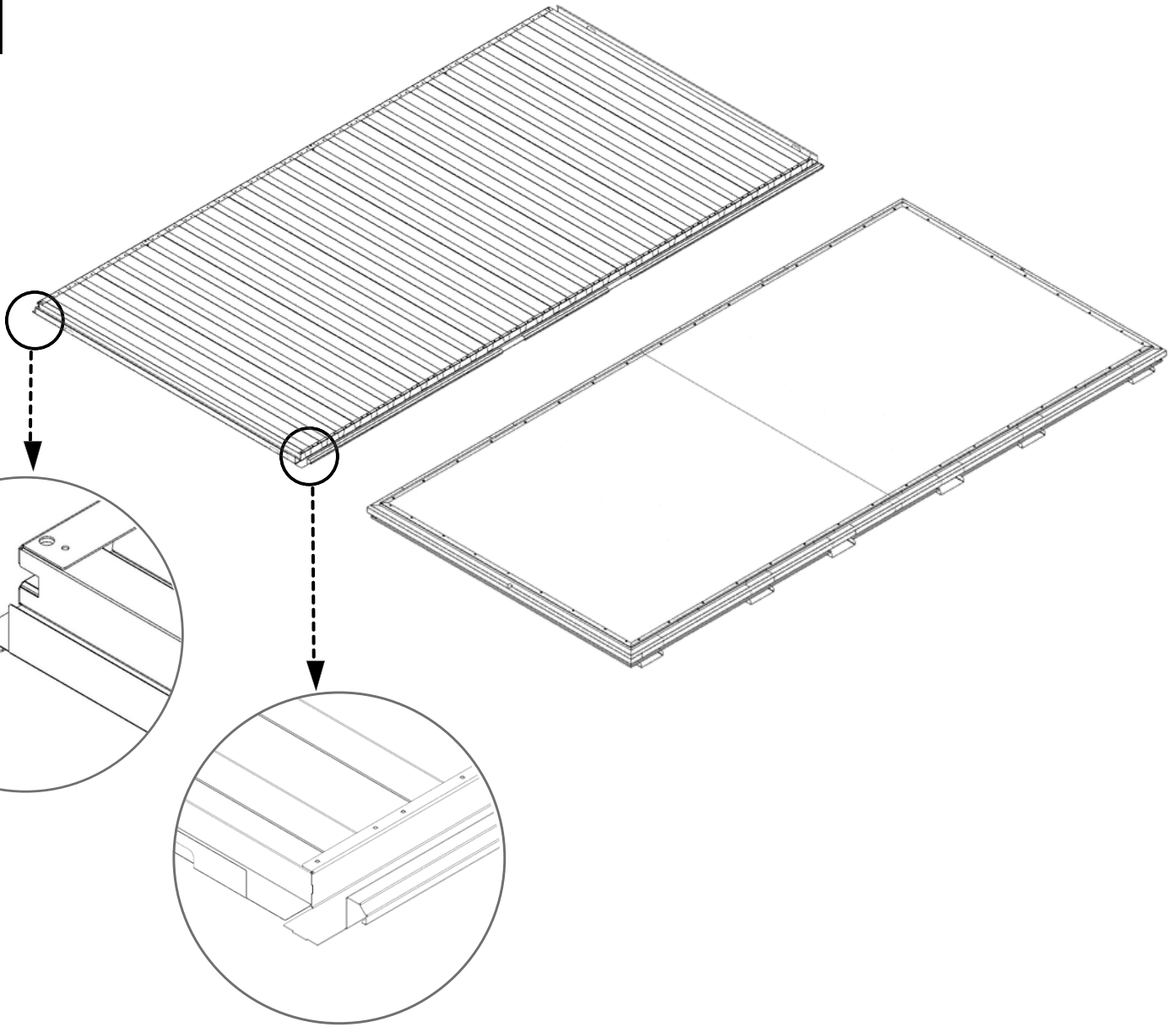
1x



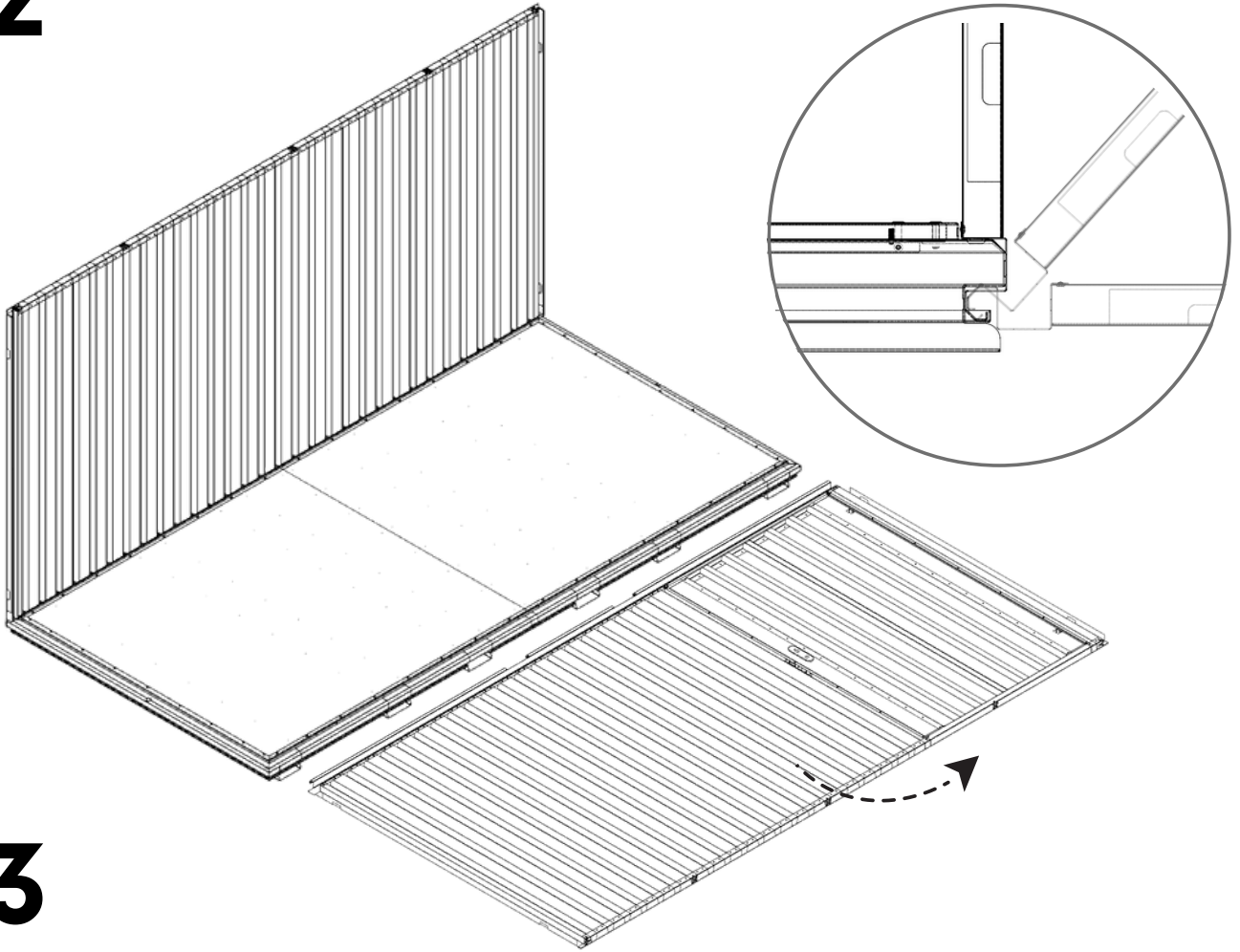
2x



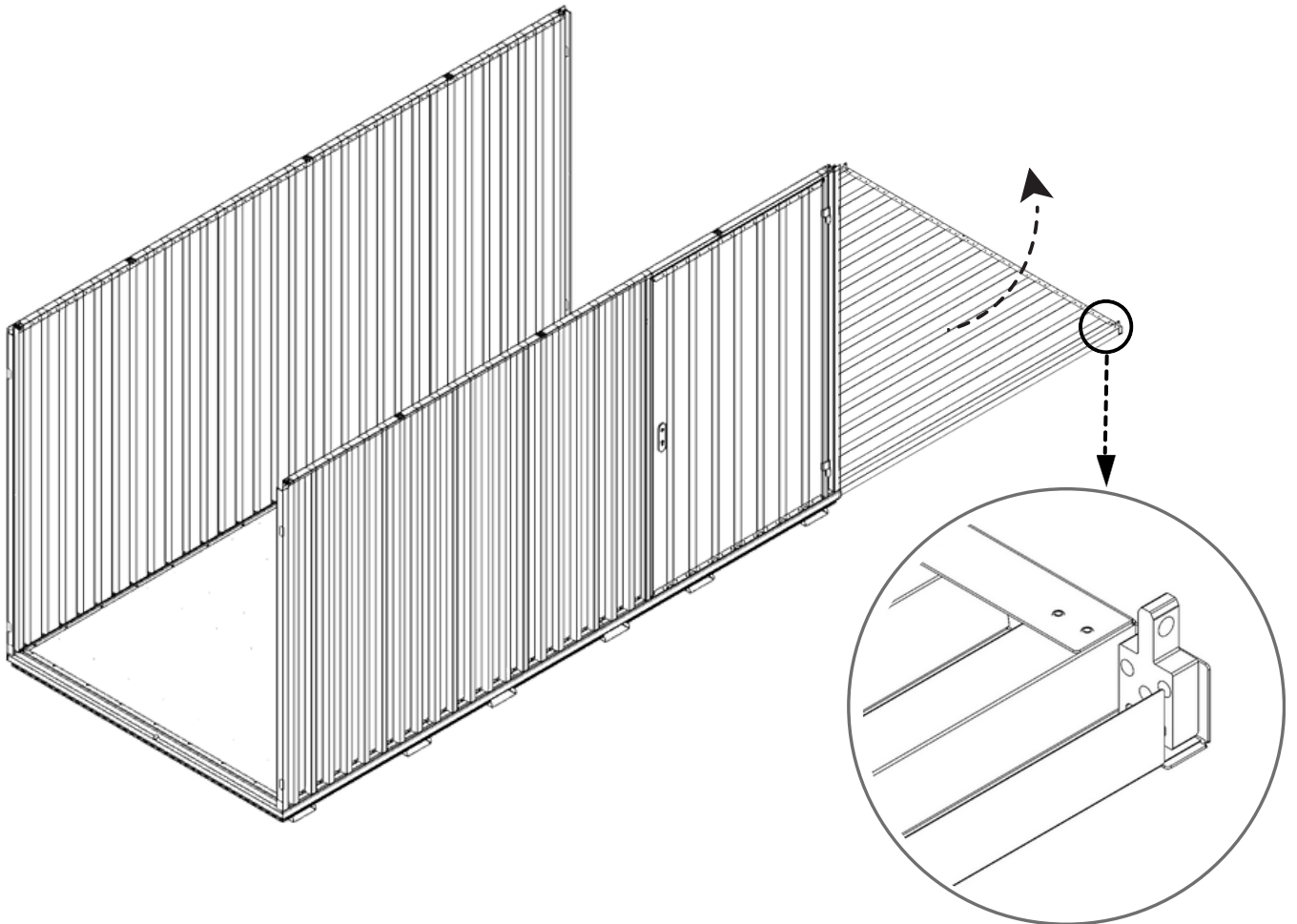
# 1



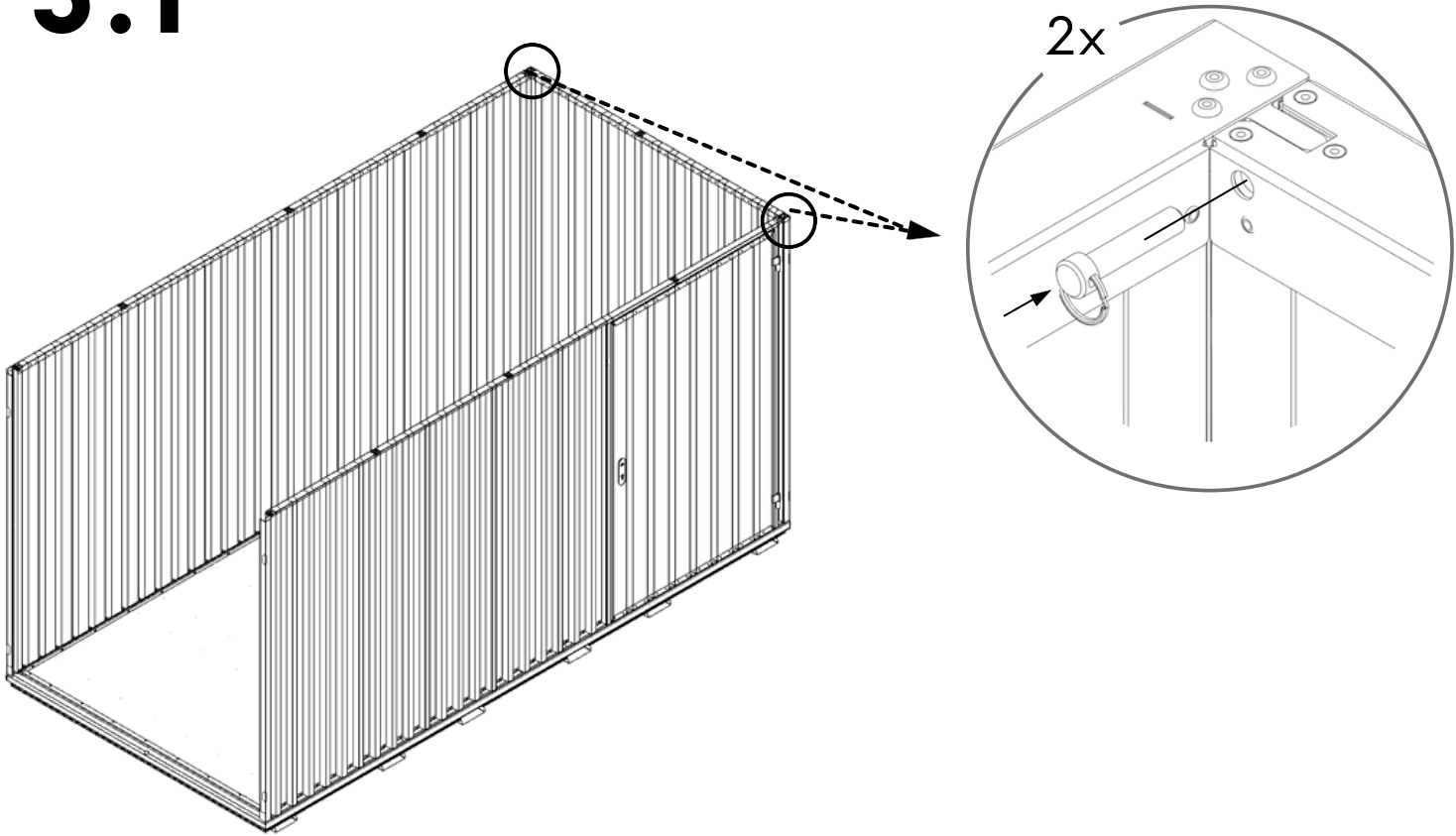
**2**



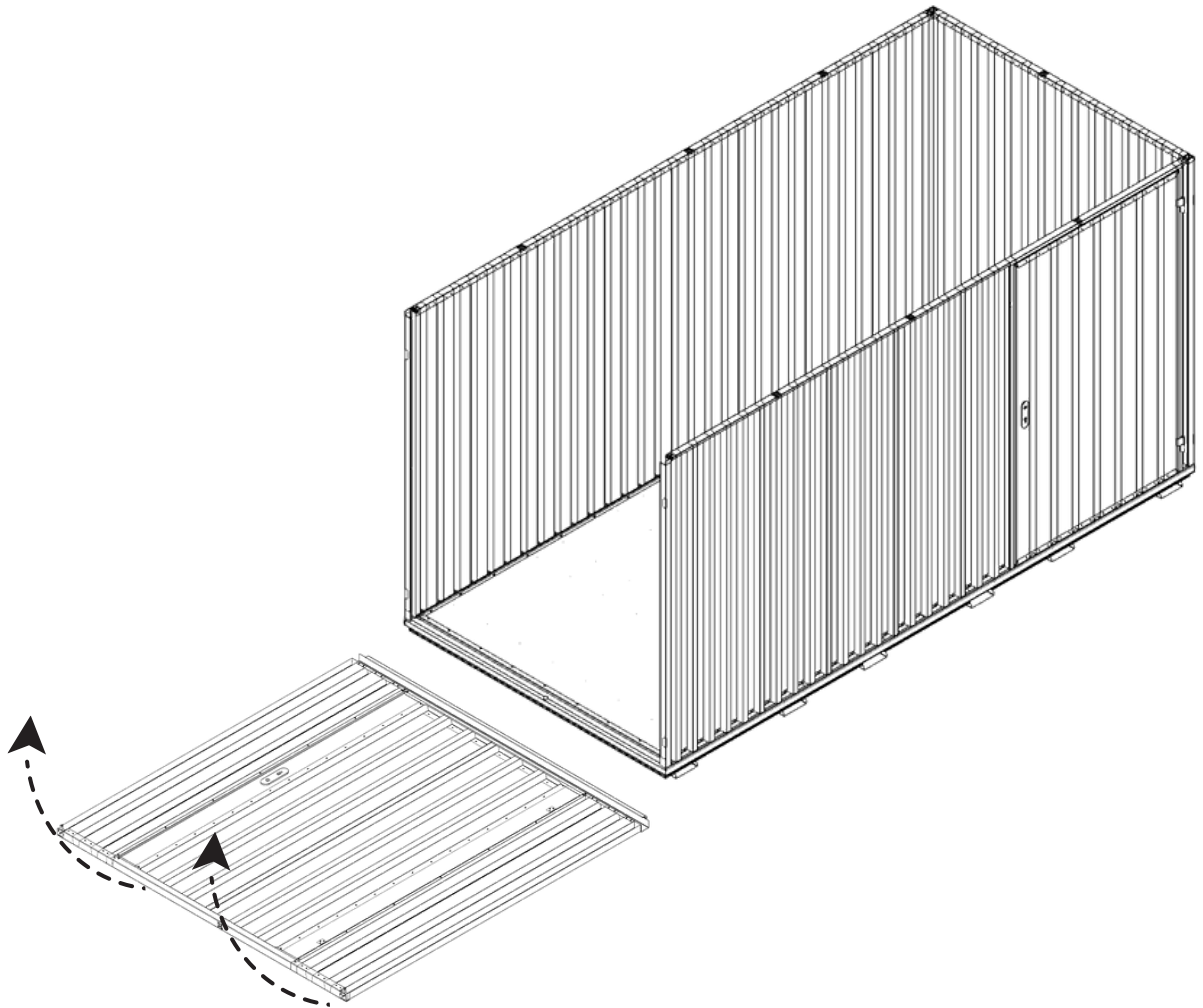
**3**



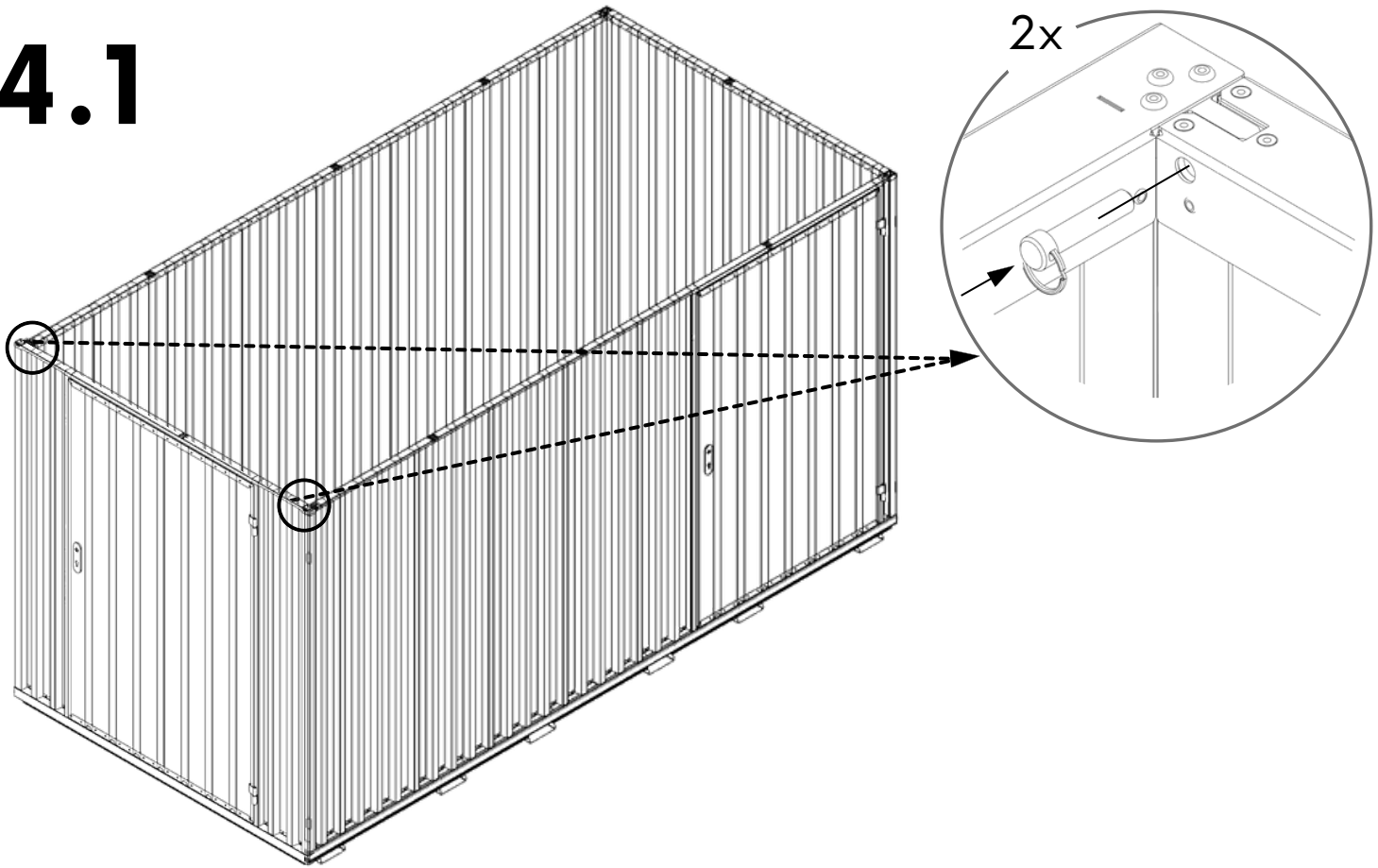
# 3.1












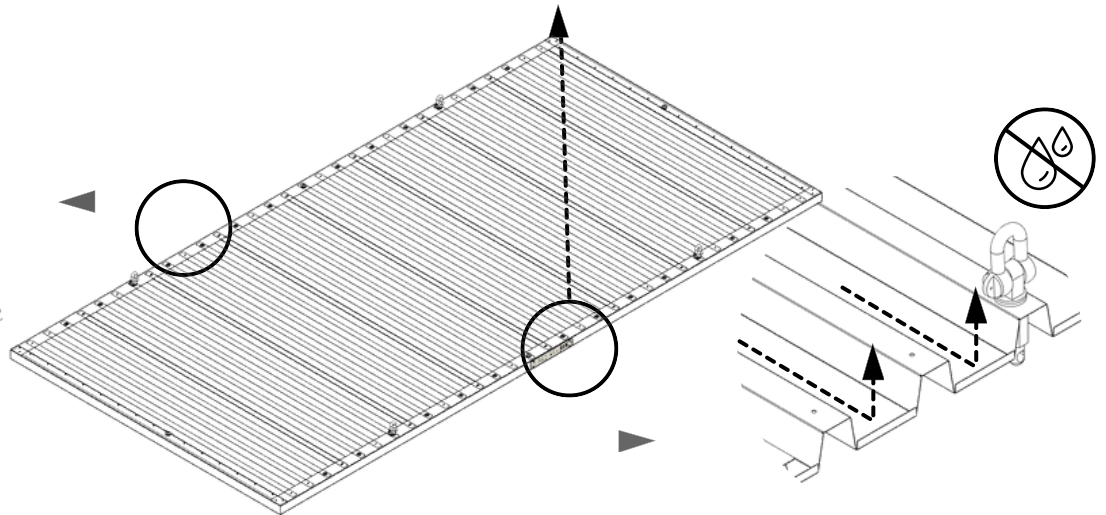
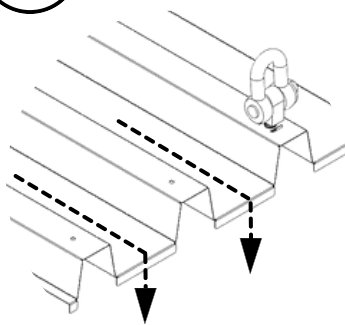
# 4



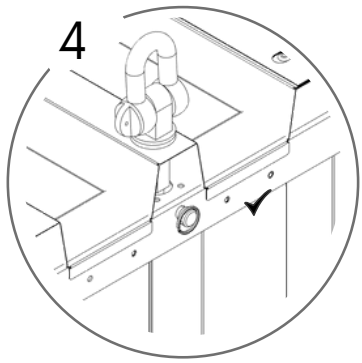
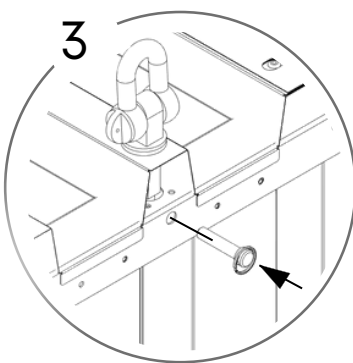
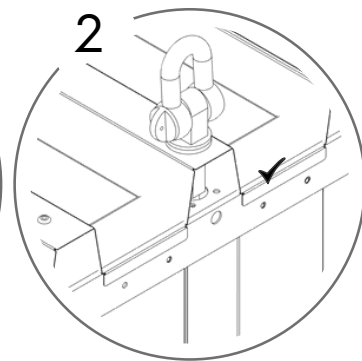
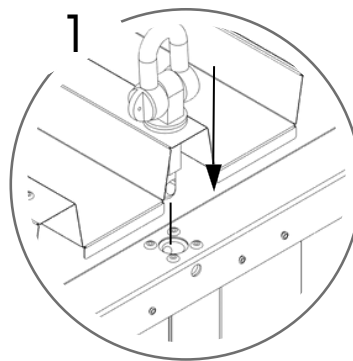
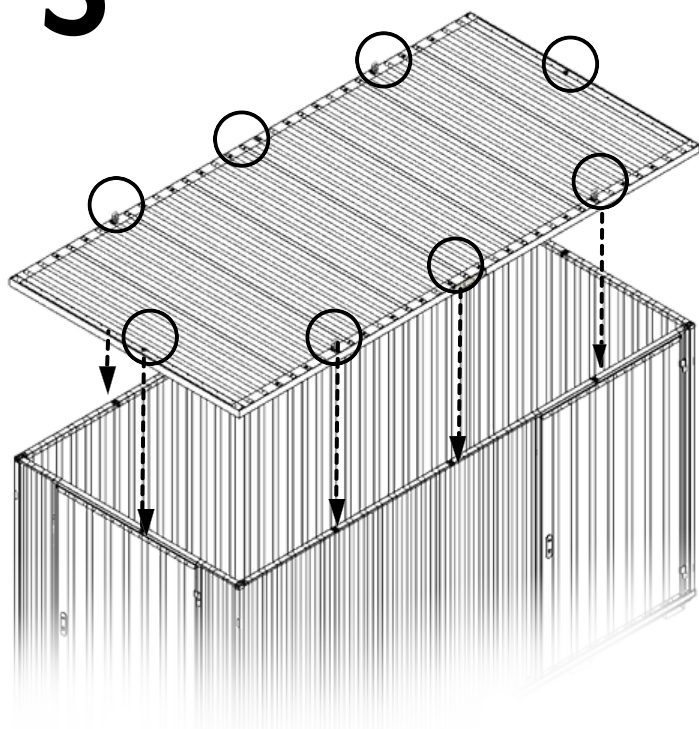
# 4.1



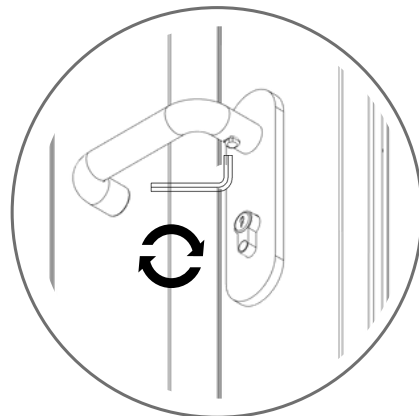
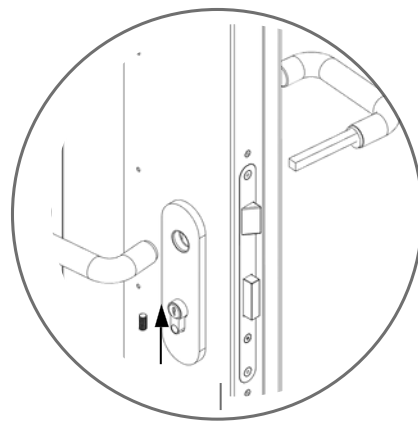
 336 KG	 3 TON	 1640 MM	Model Code: 30.110.440 Production Tracking Code: .....X09.1.30.440  9001  14001  50001	  
---	--	--	---	---



# 5



# 6



7

