

PRODUCT CODE:60.110.320.331

**prefabase**  
Quick Build Solutions

Instructions and User Guide



60.0110  
1x

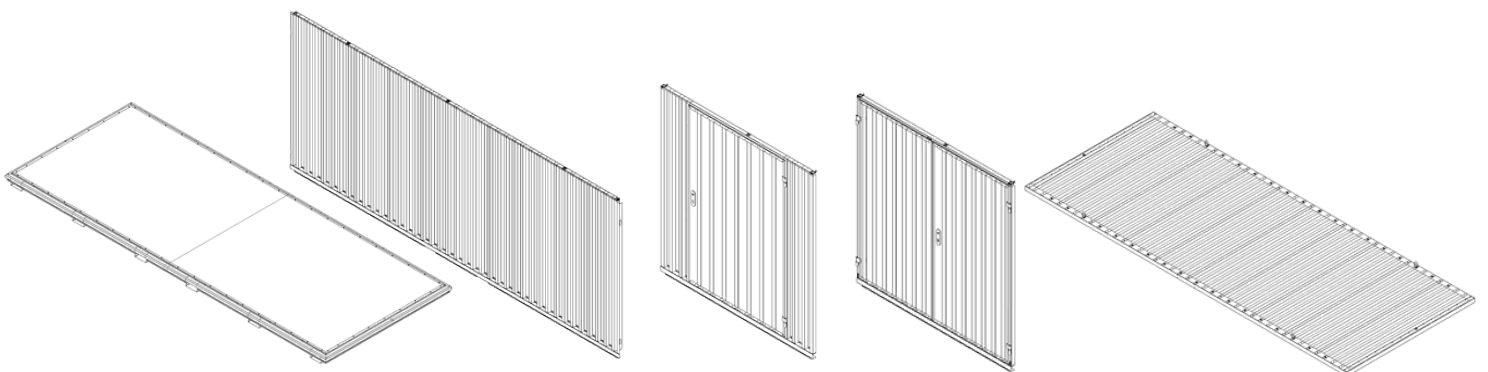
60.0410  
2x

0320/0210  
1x

0220/0230/0330  
1x

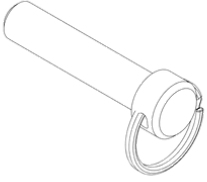
60.0510  
1x

0099.61.101  
2x

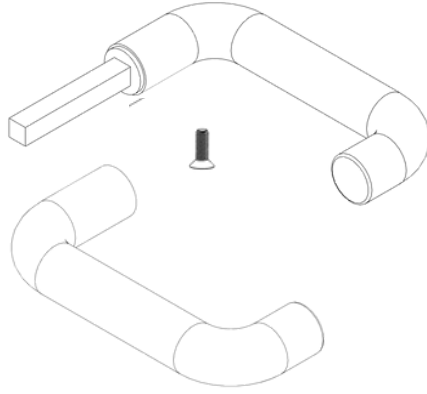




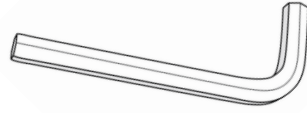
14x



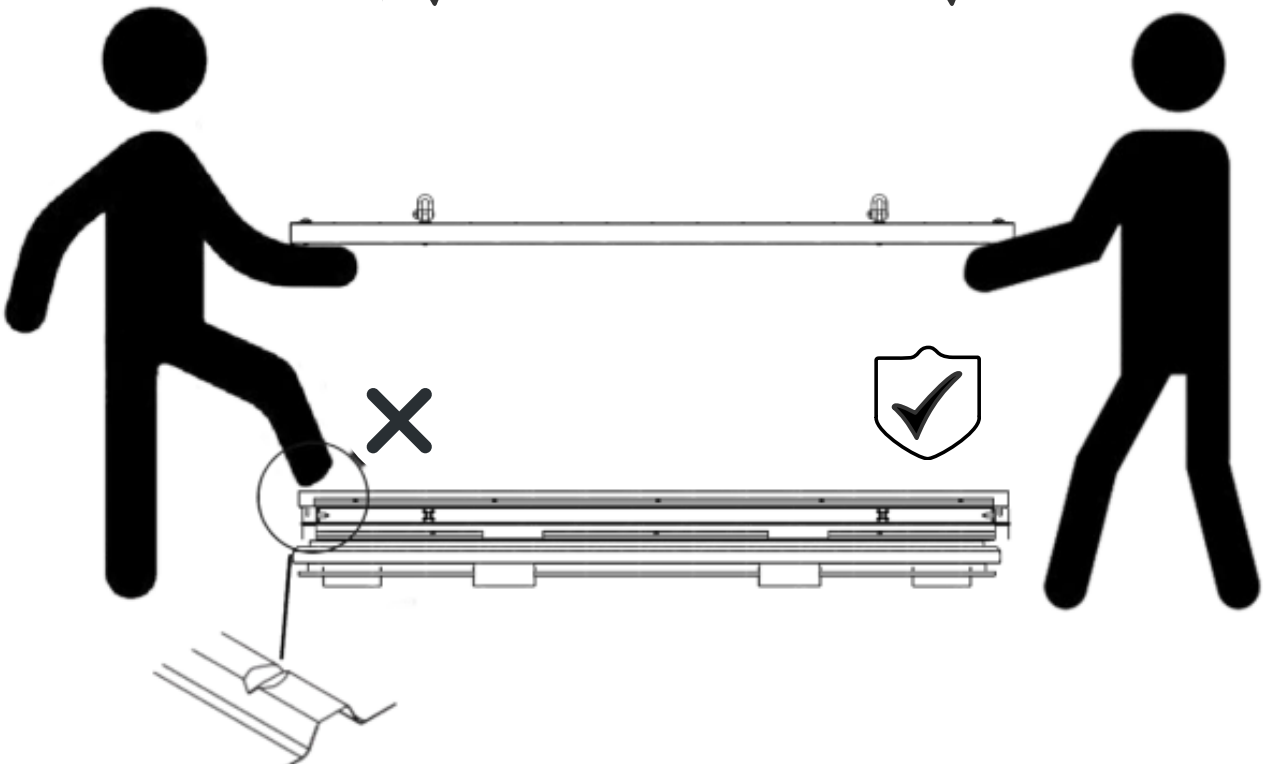
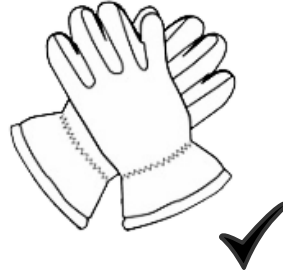
2x



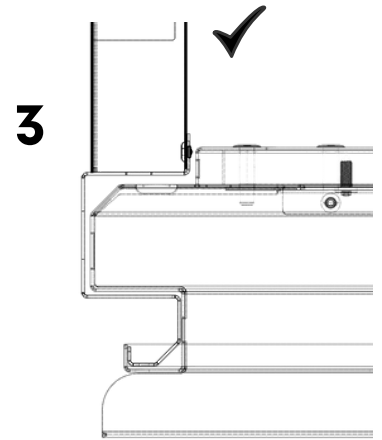
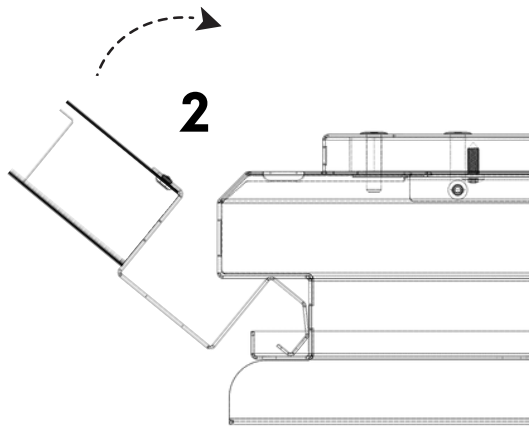
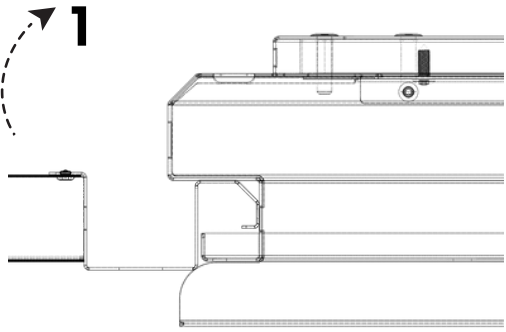
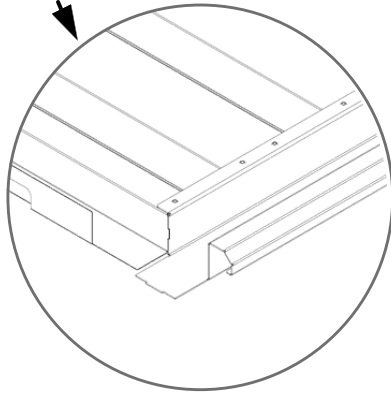
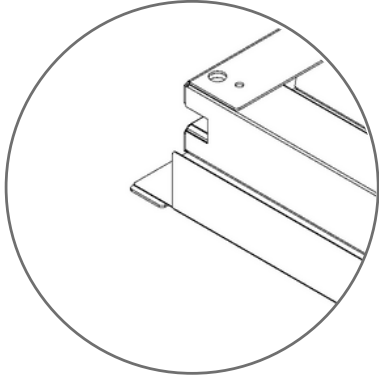
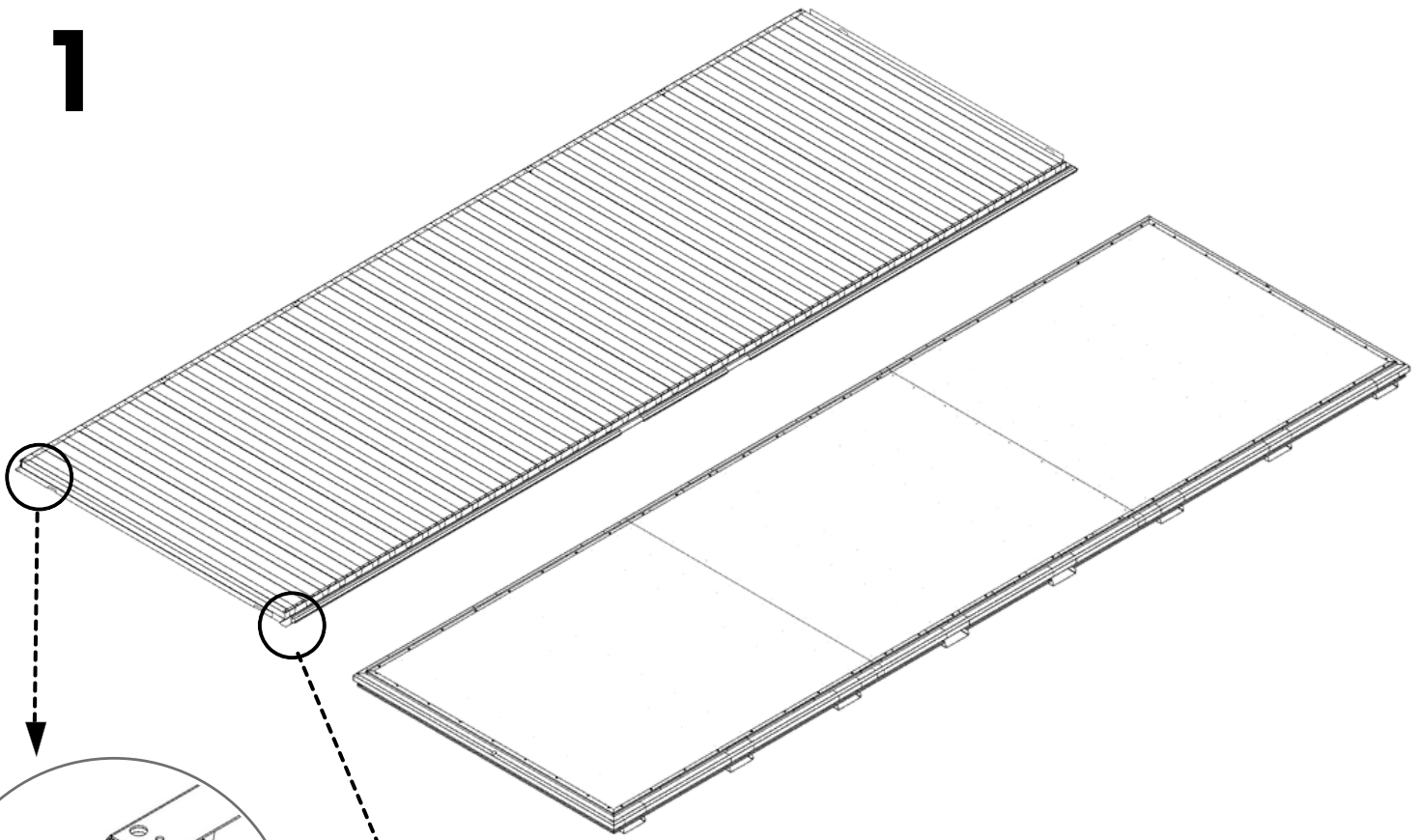
1x



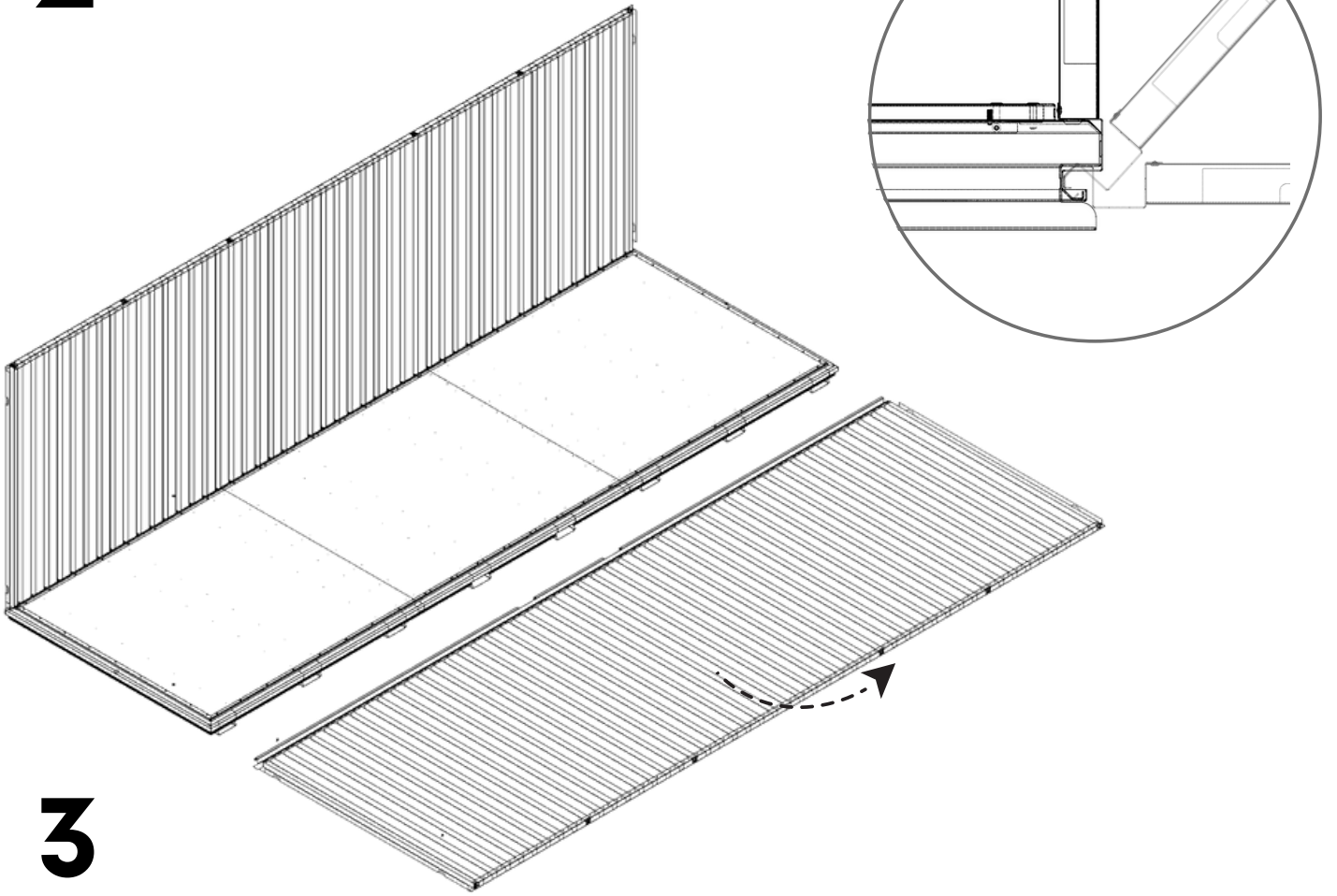
2x



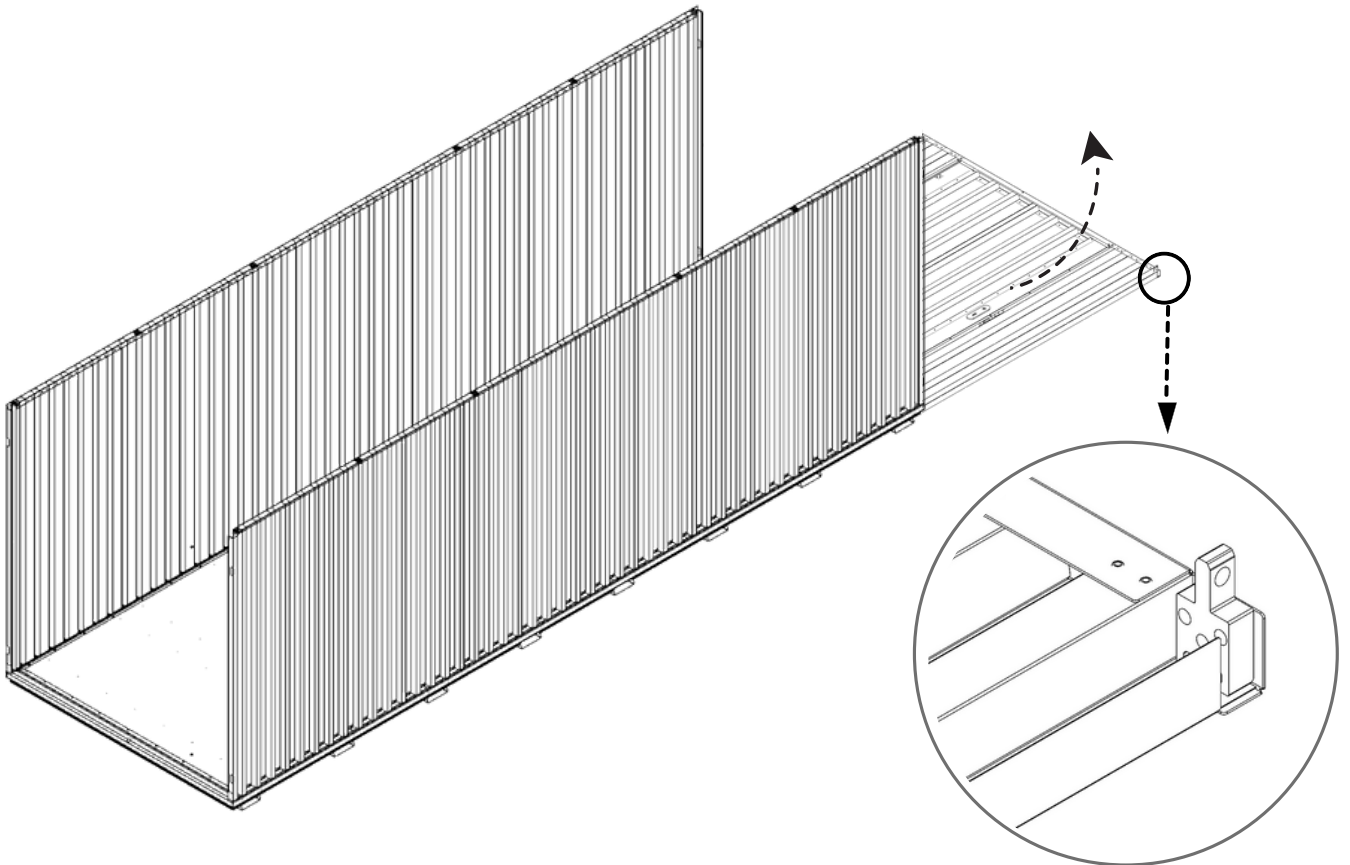
**1**



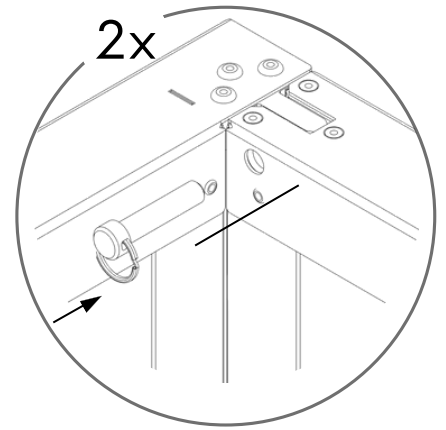
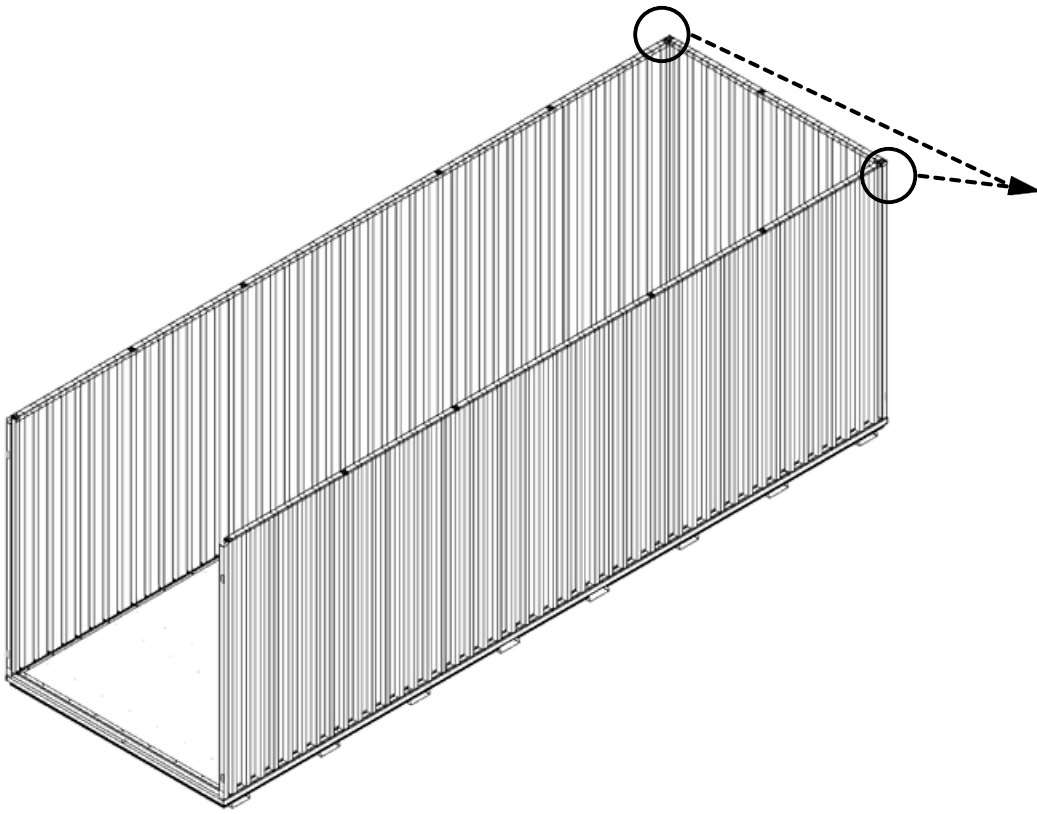
**2**



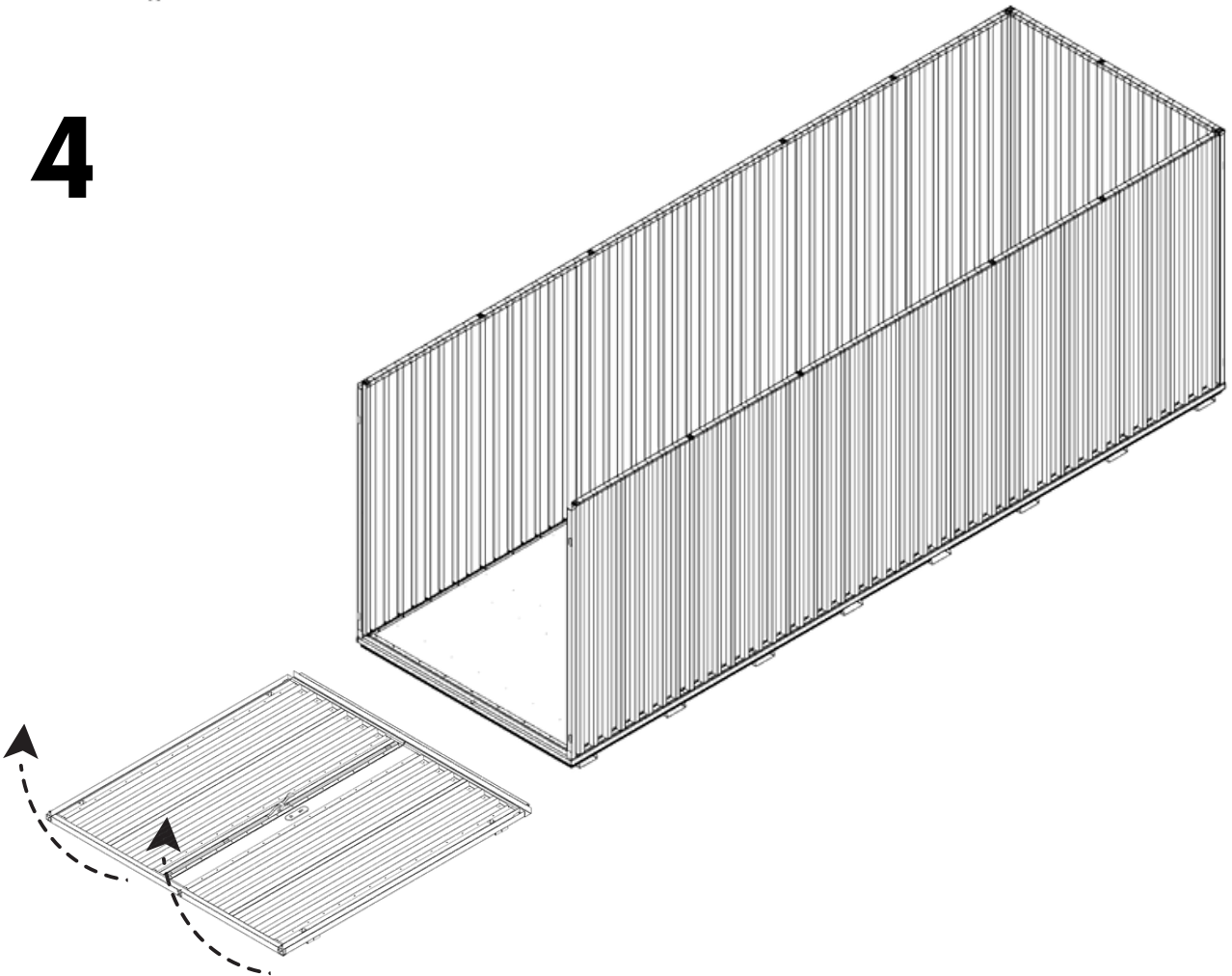
**3**



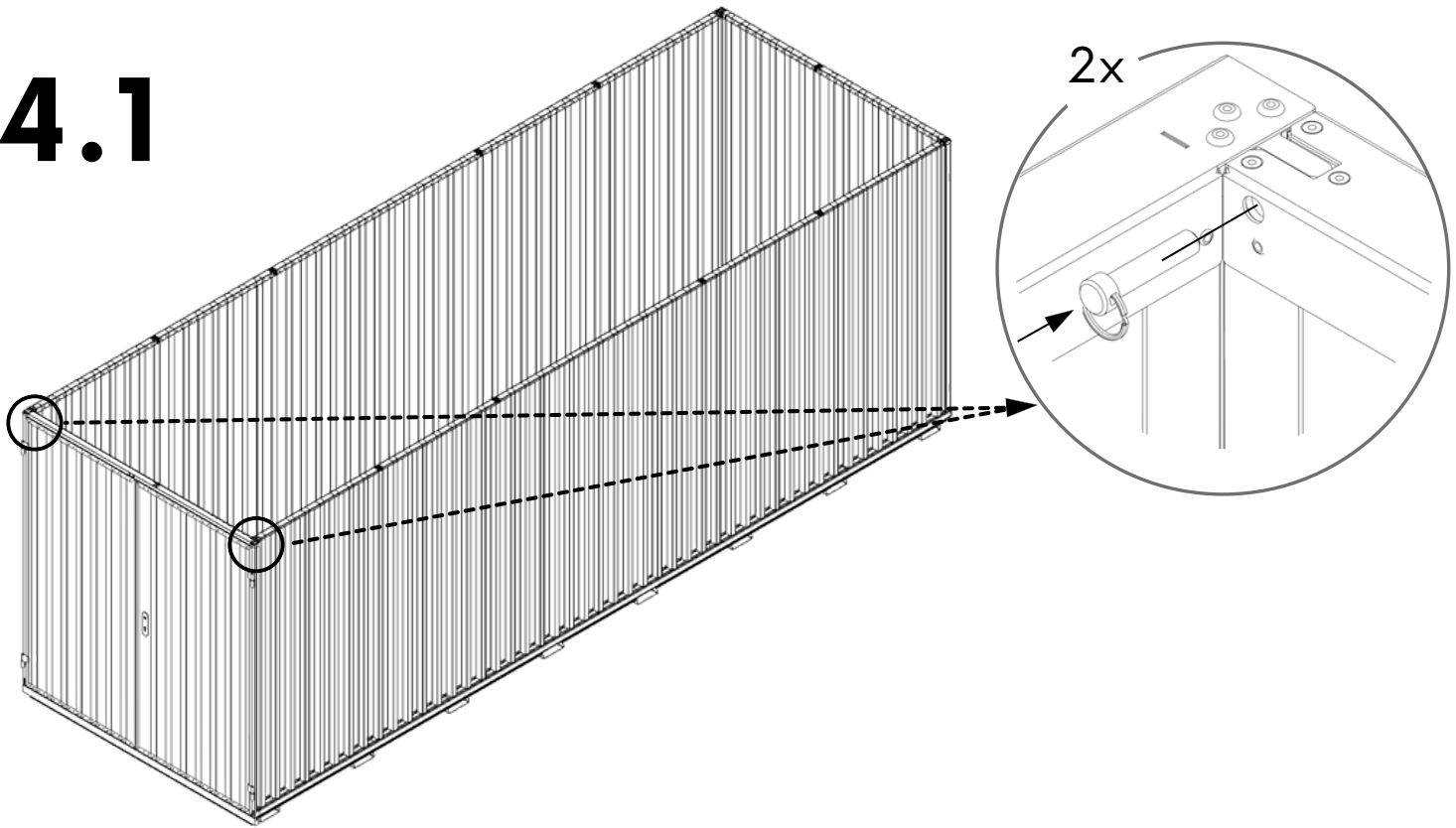
# 3.1












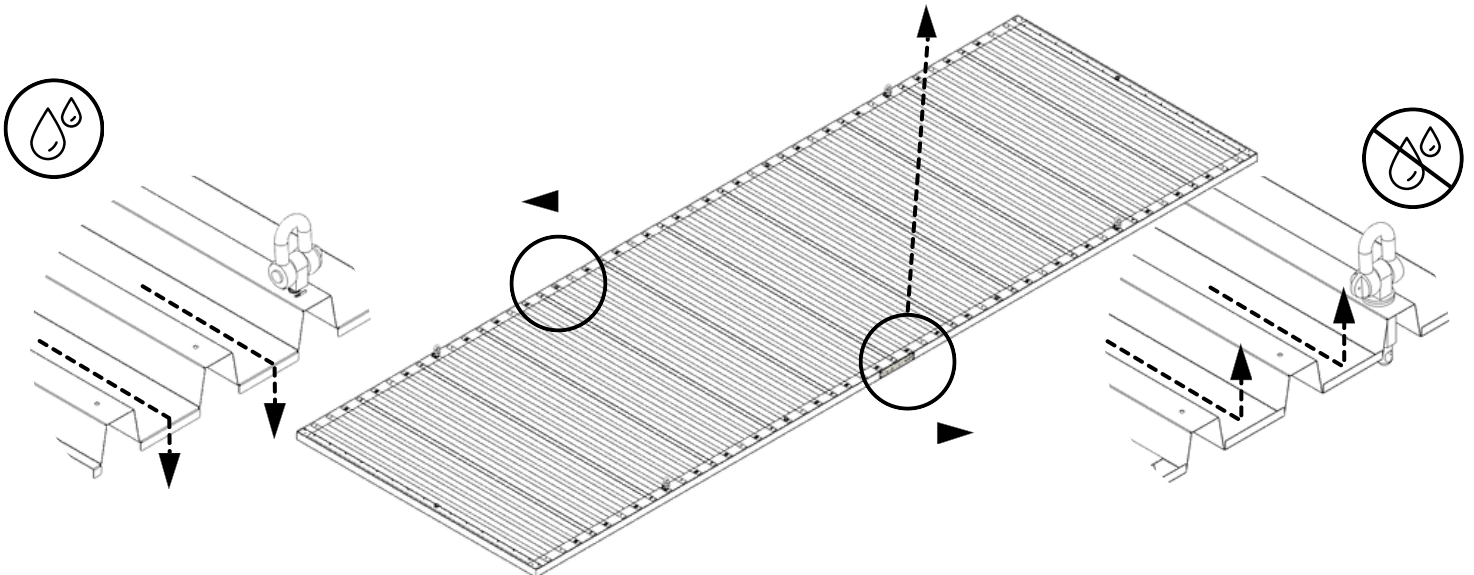
# 4



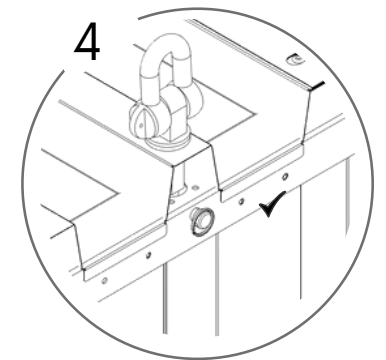
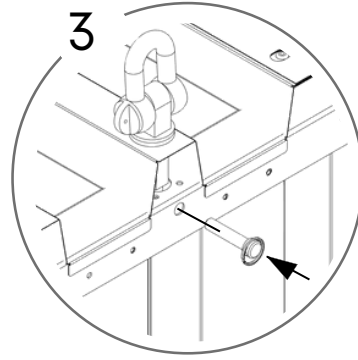
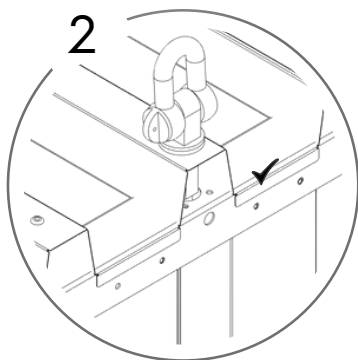
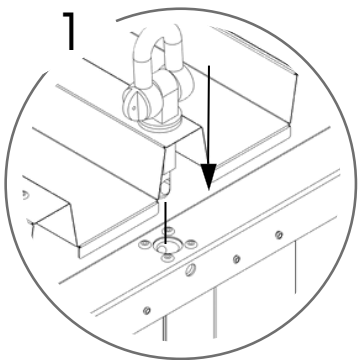
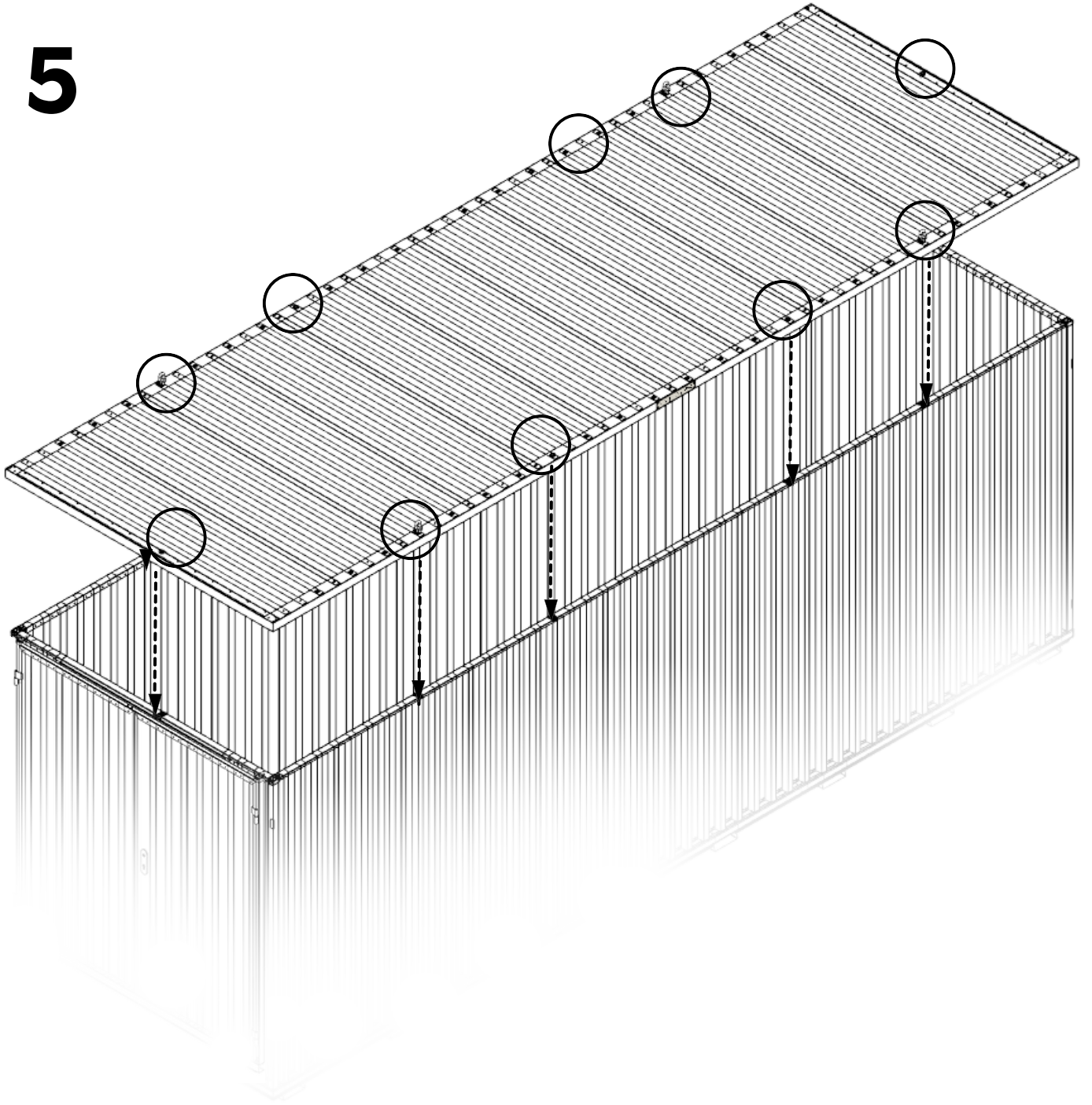
# 4.1



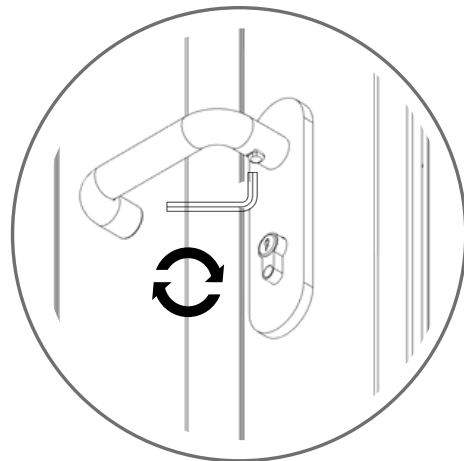
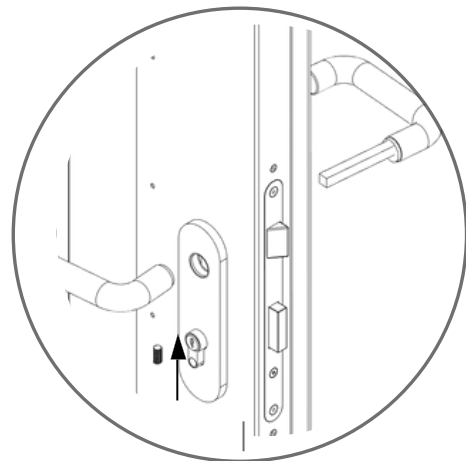
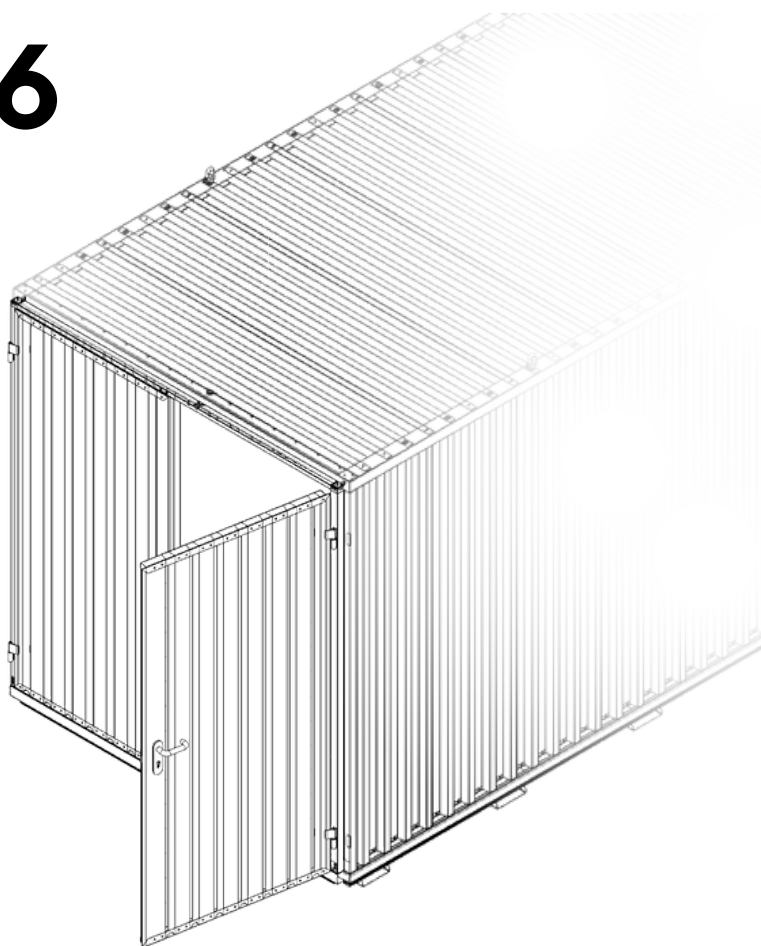
 336 KG	 3 TON	 1640 MM	Model Code: 30.110.440 Production Tracking Code: .....X09.1.30.440  9001  14001  50001	  
---	--	--	---	---



# 5



6



7

