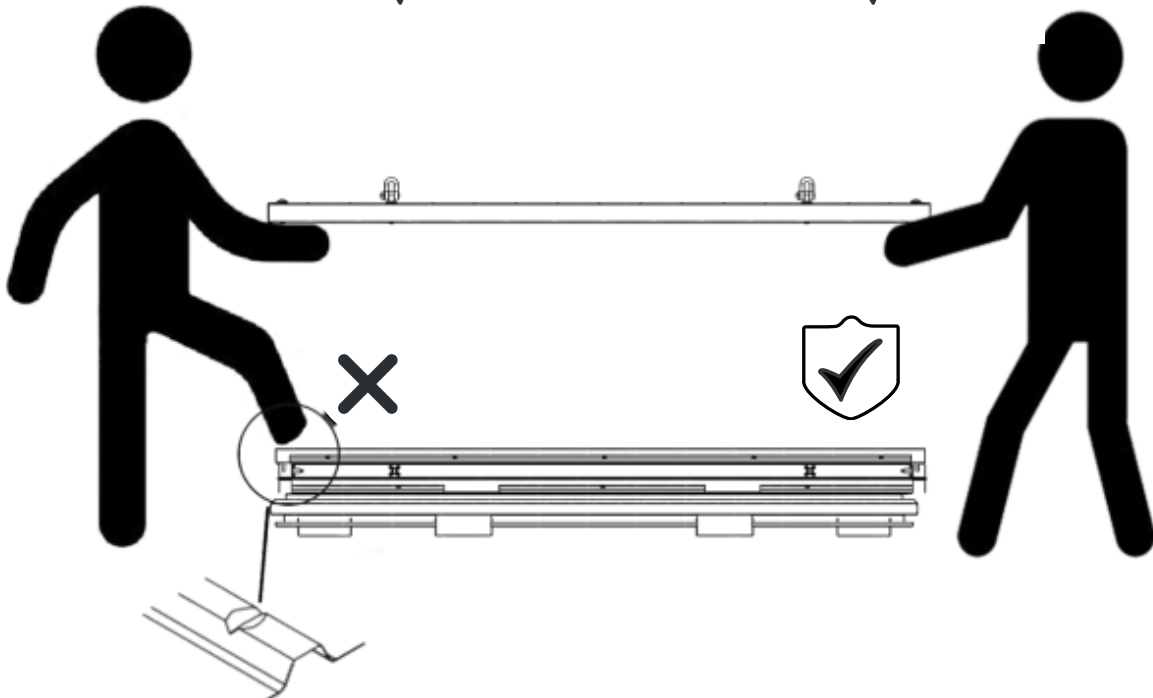
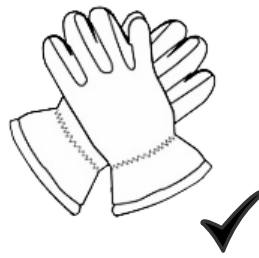
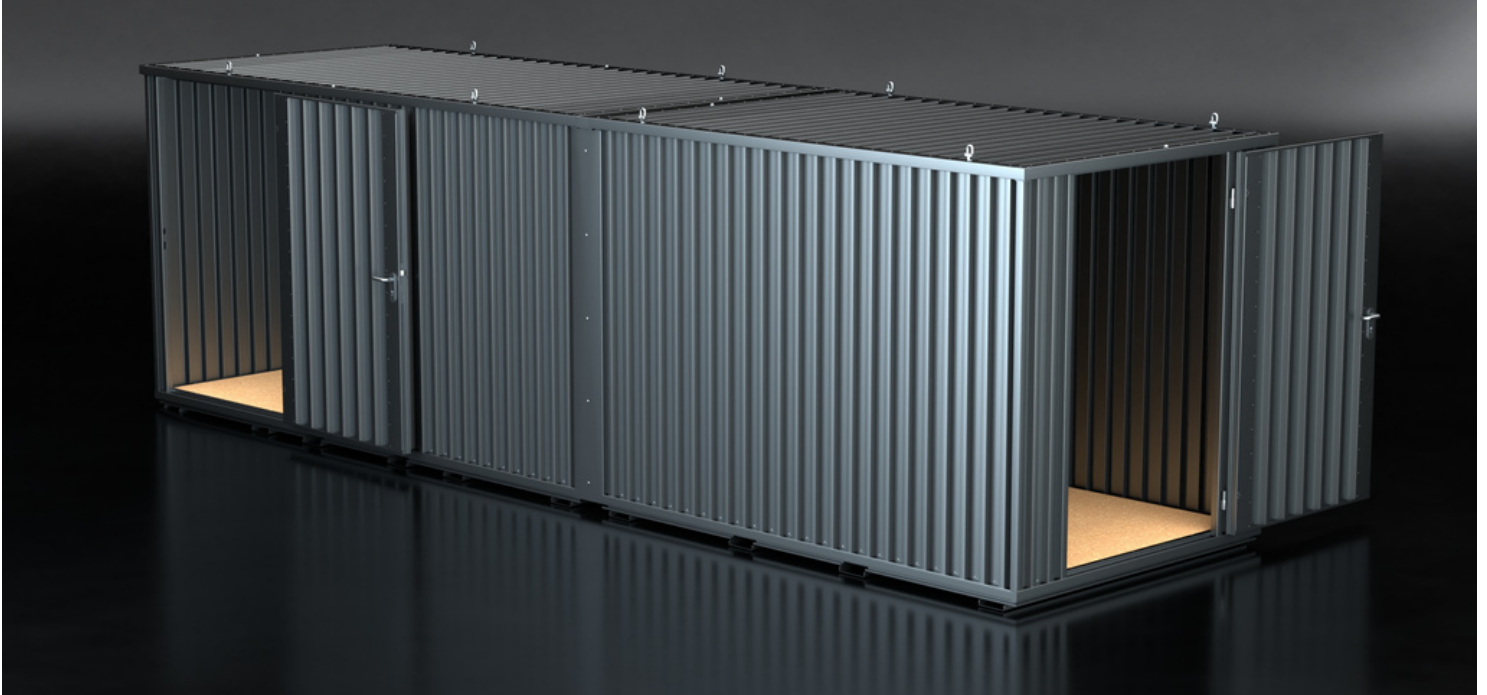


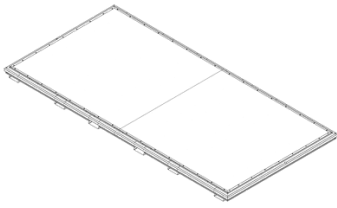
PRODUCT CODE:4040.110.450.320

prefabase
Quick Build Solutions

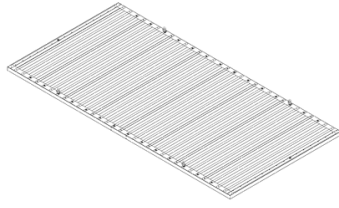
Instructions and User Guide



40.0110
2x



40.0510
2x



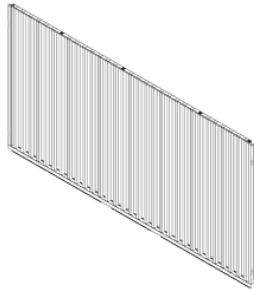
306.0110
1x



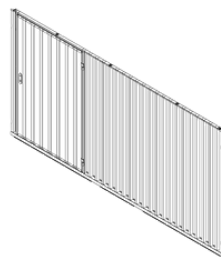
306.0510
1x



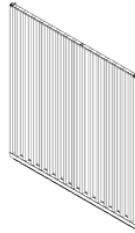
40.0410
3x



40.0450
1x



0310
1x



0320
1x



306.40.05
2x



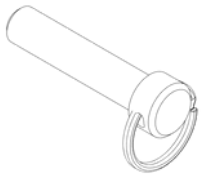
306.40.04
2x



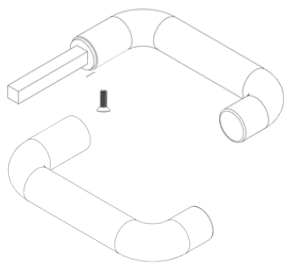
61.101
4x



24x



2x



10x



10x



10x



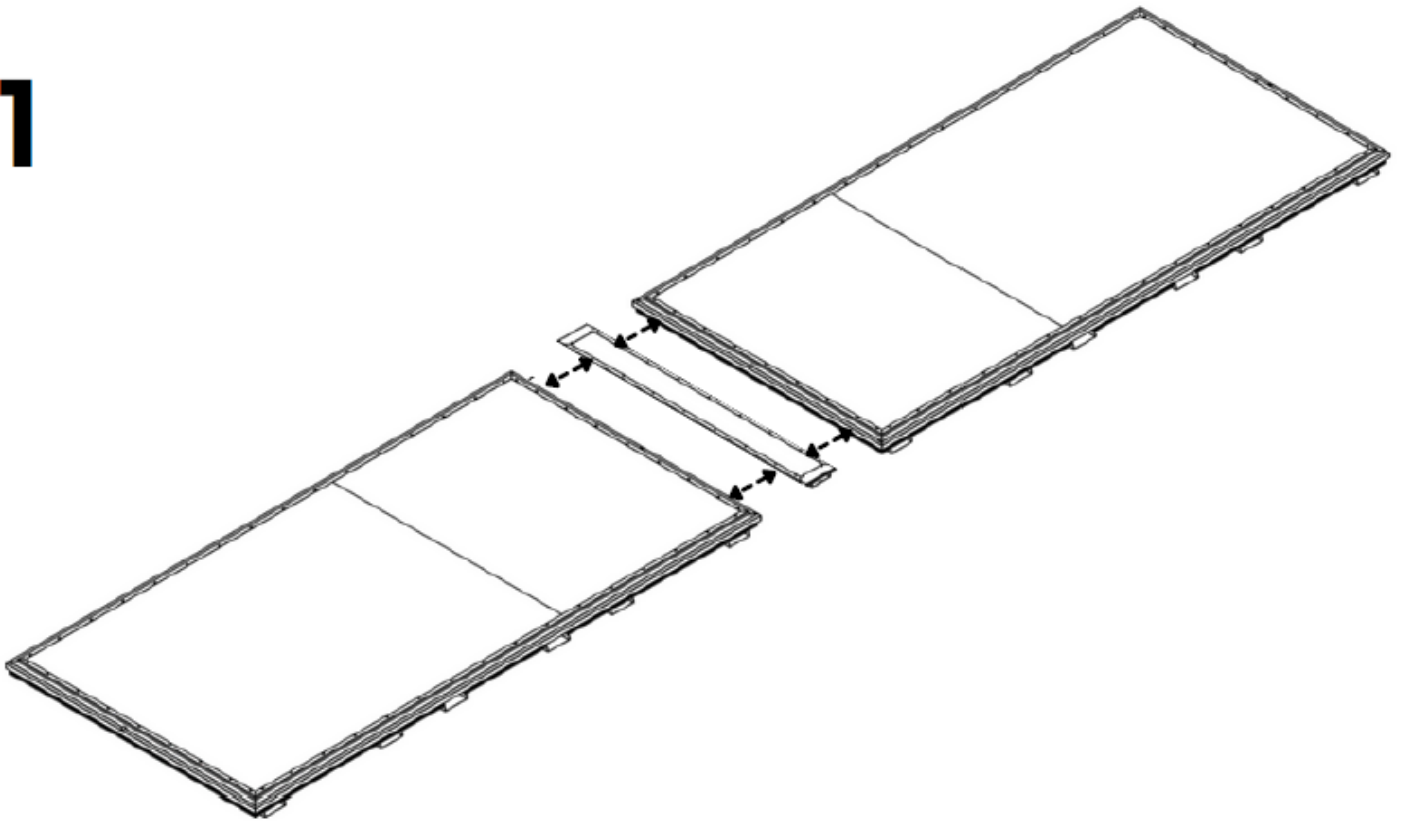
1x



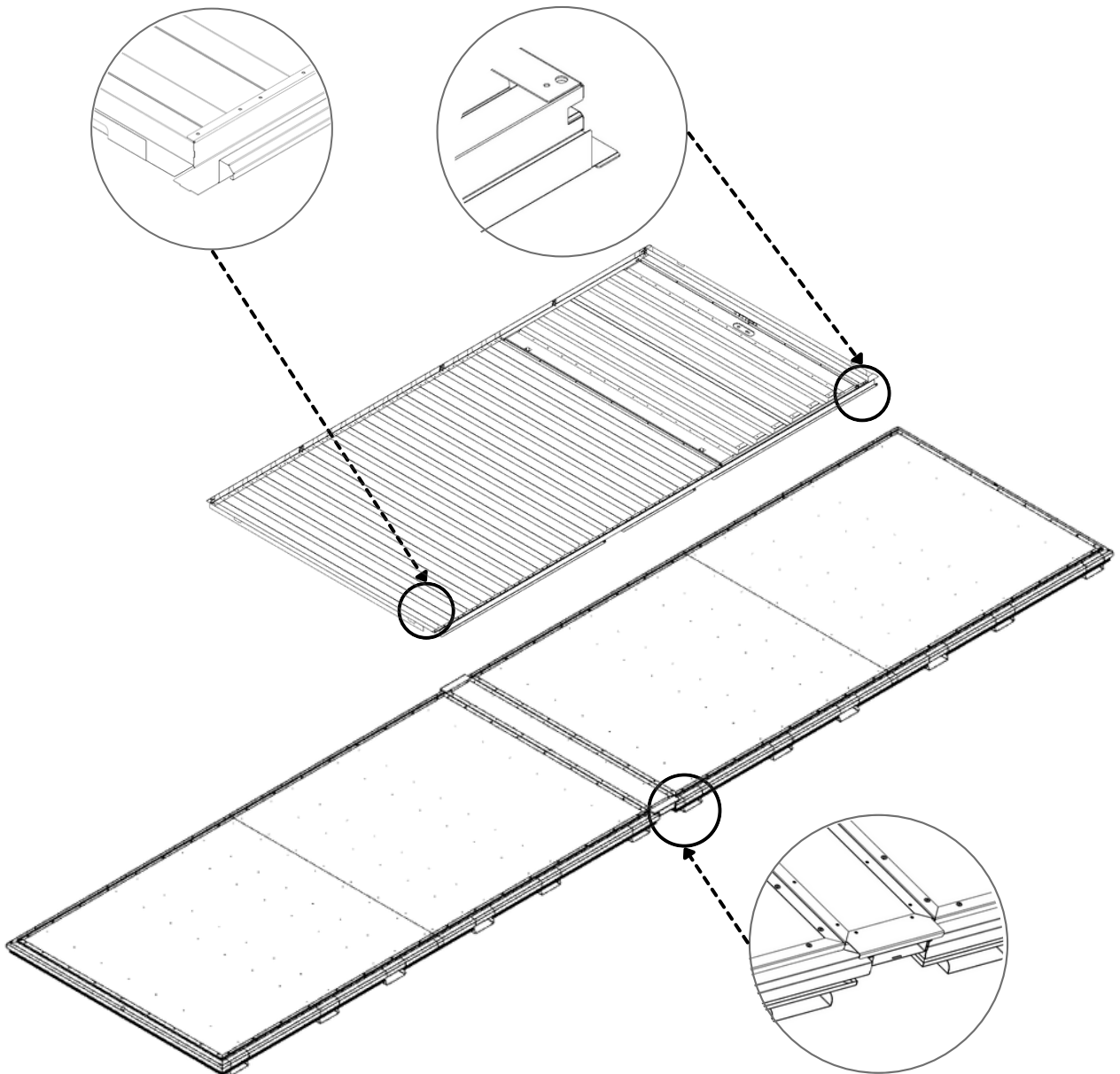
2x

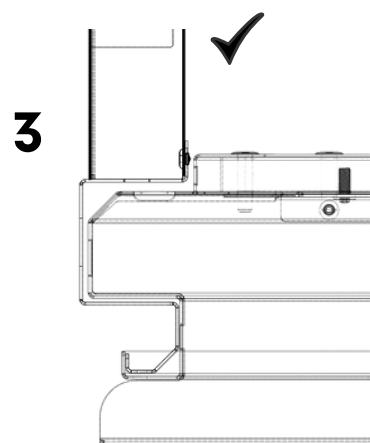
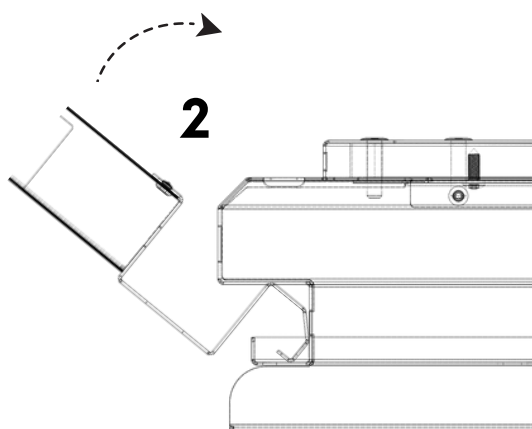
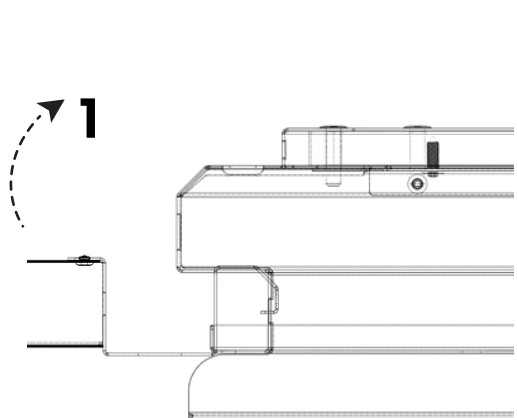


1

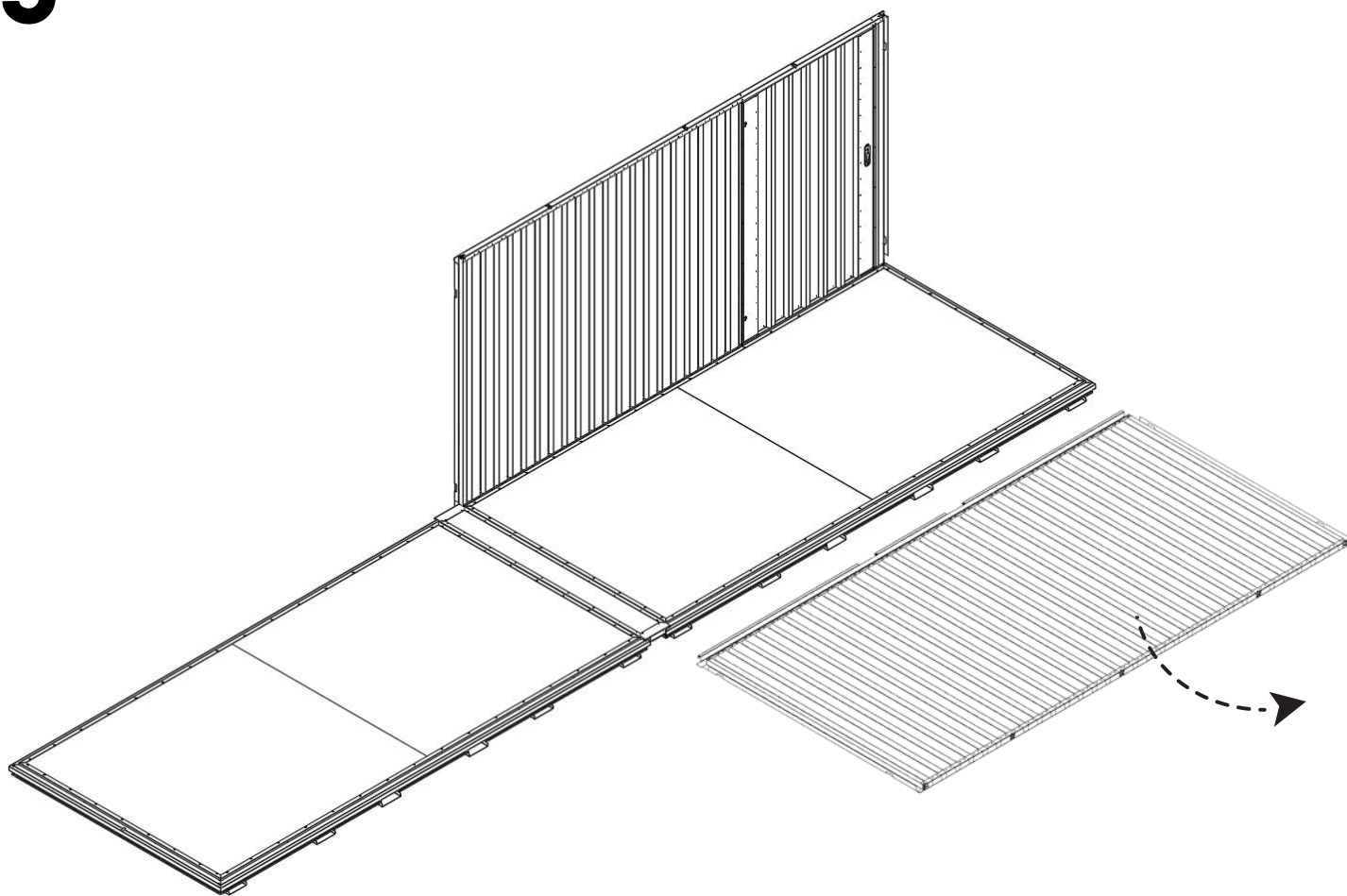


2

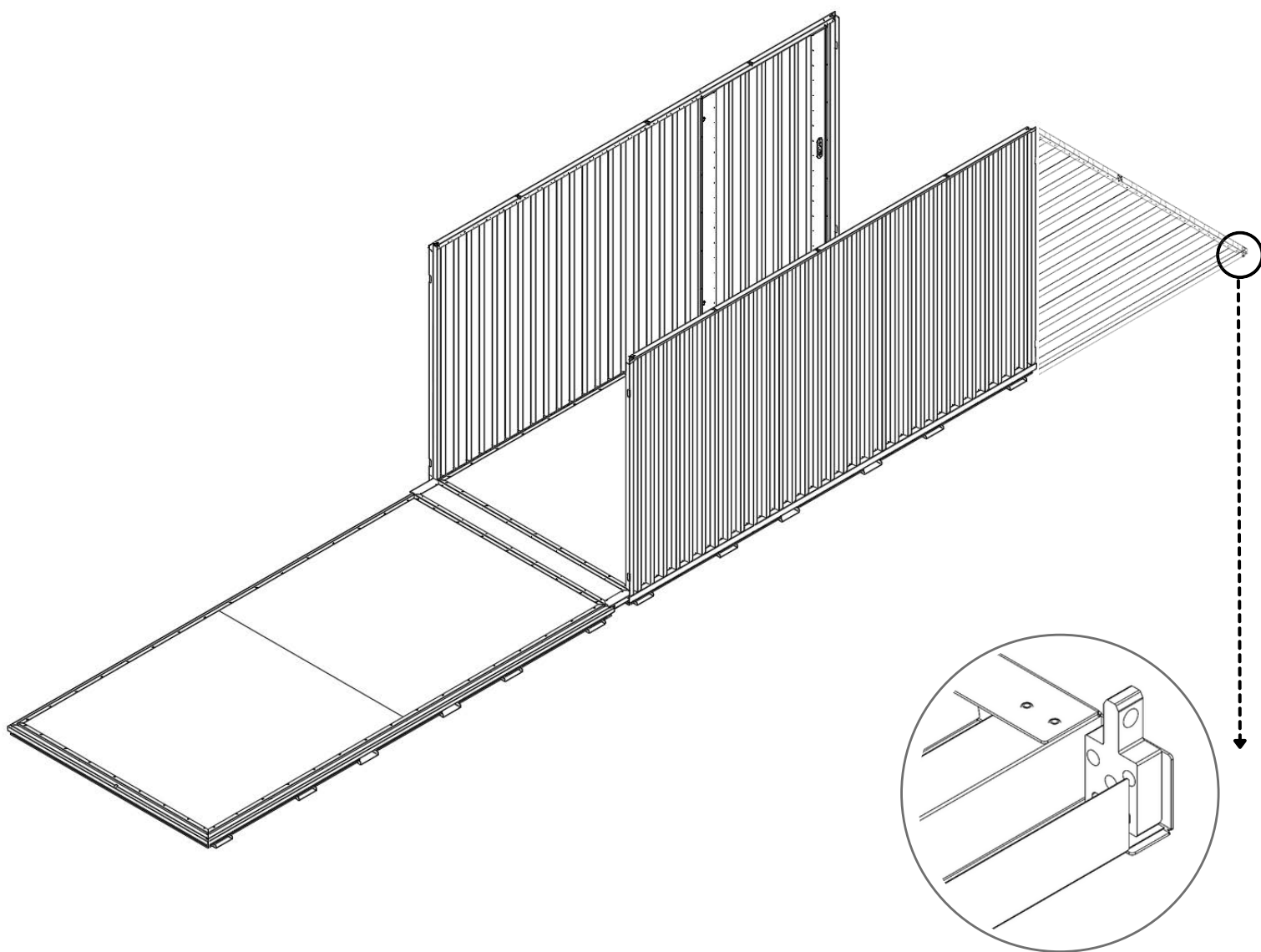




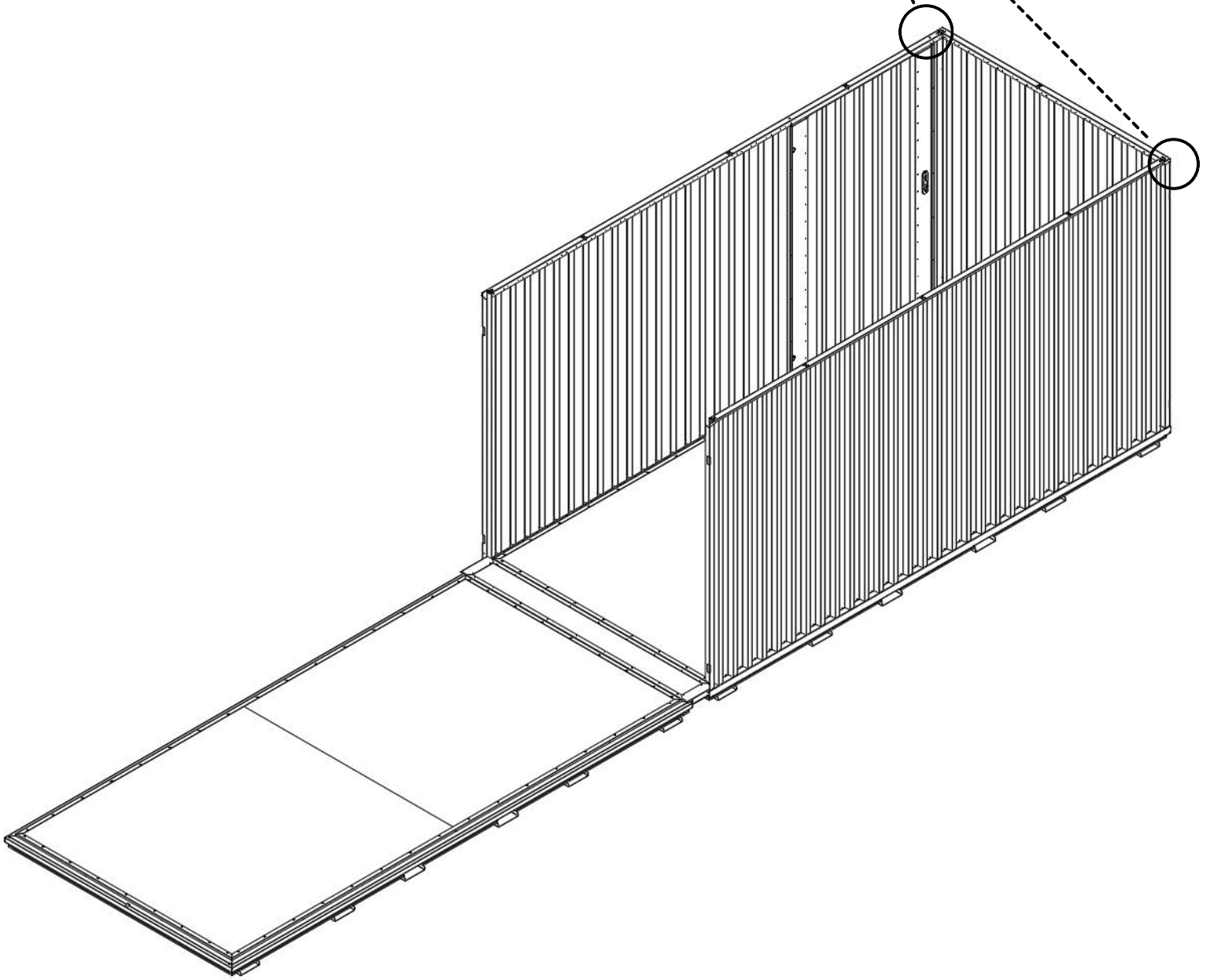
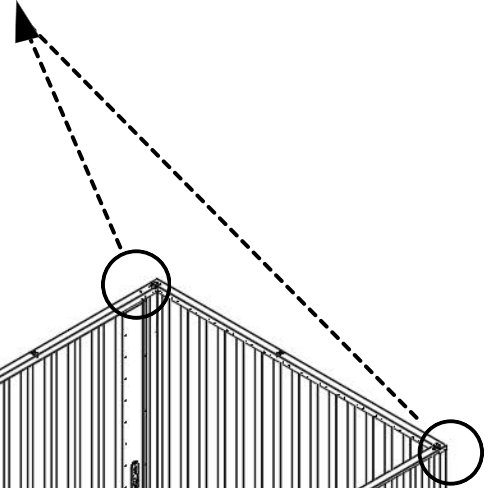
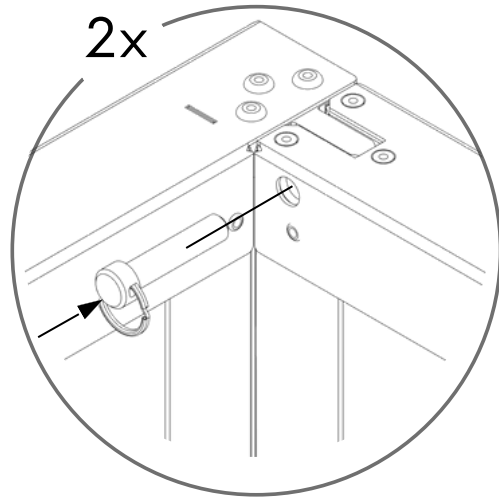
3



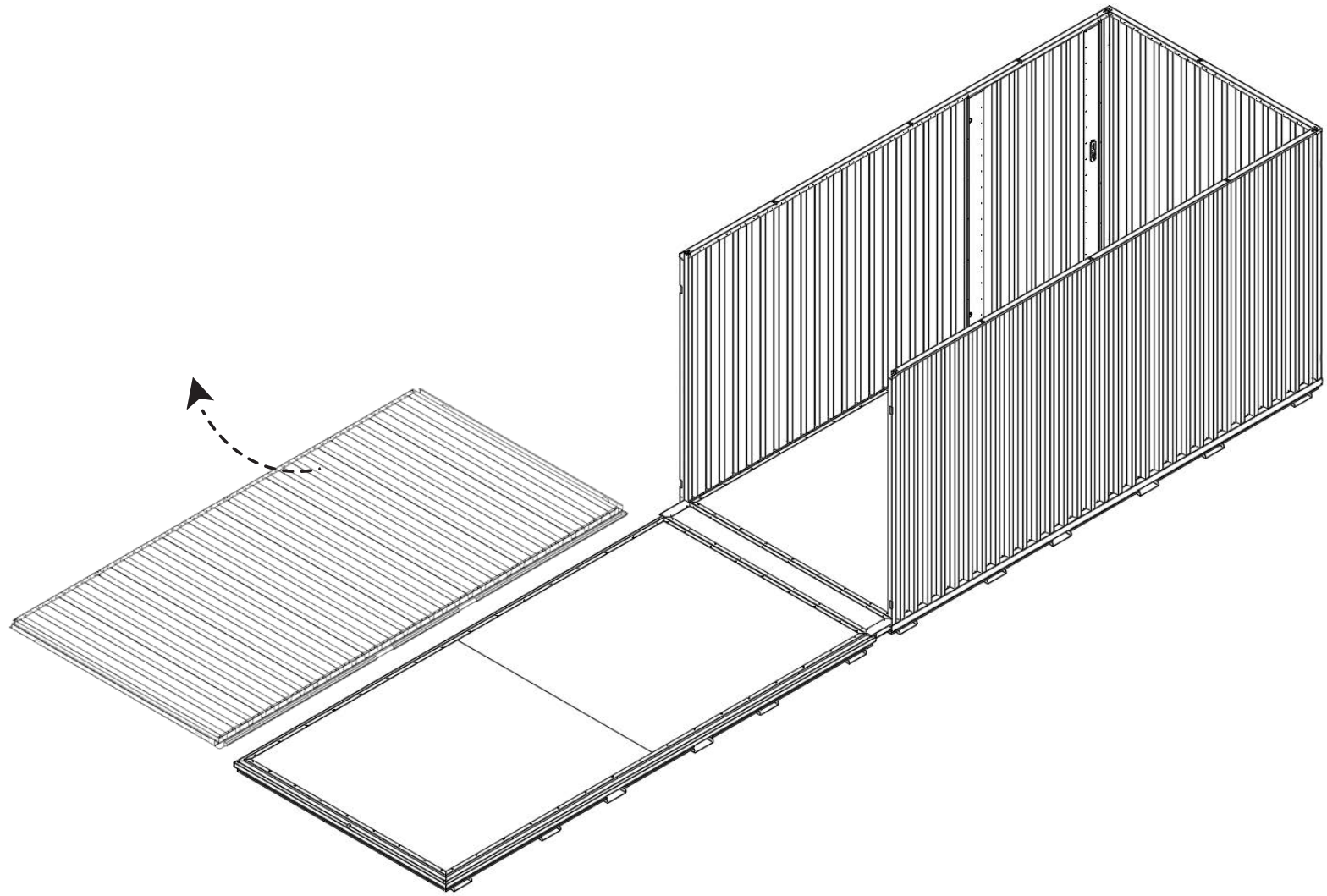
4



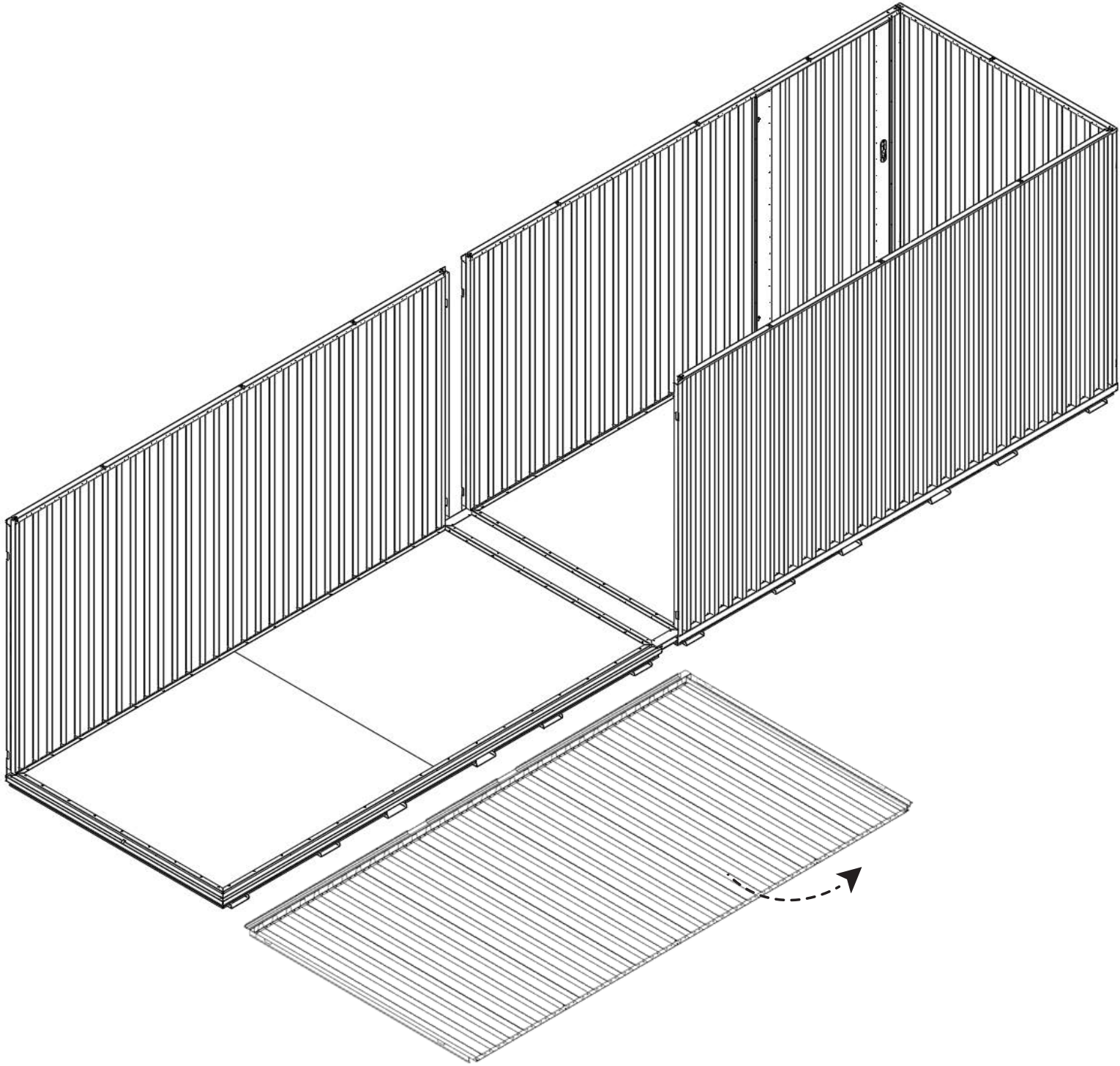
4.1



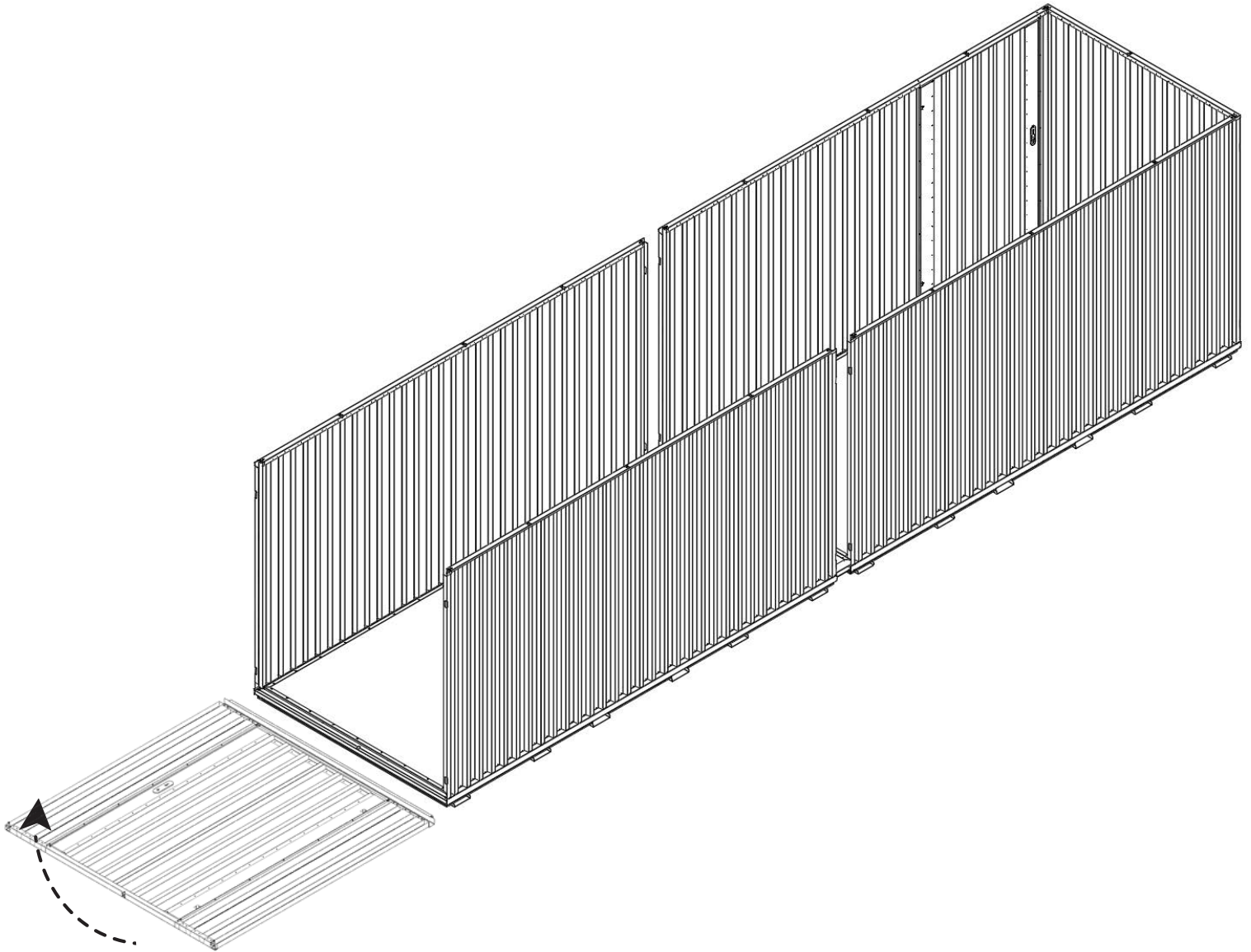
5



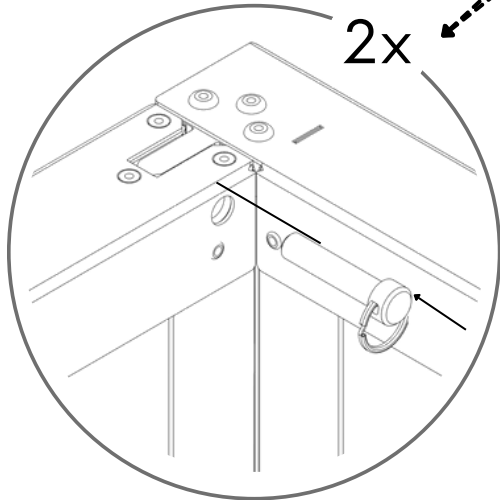
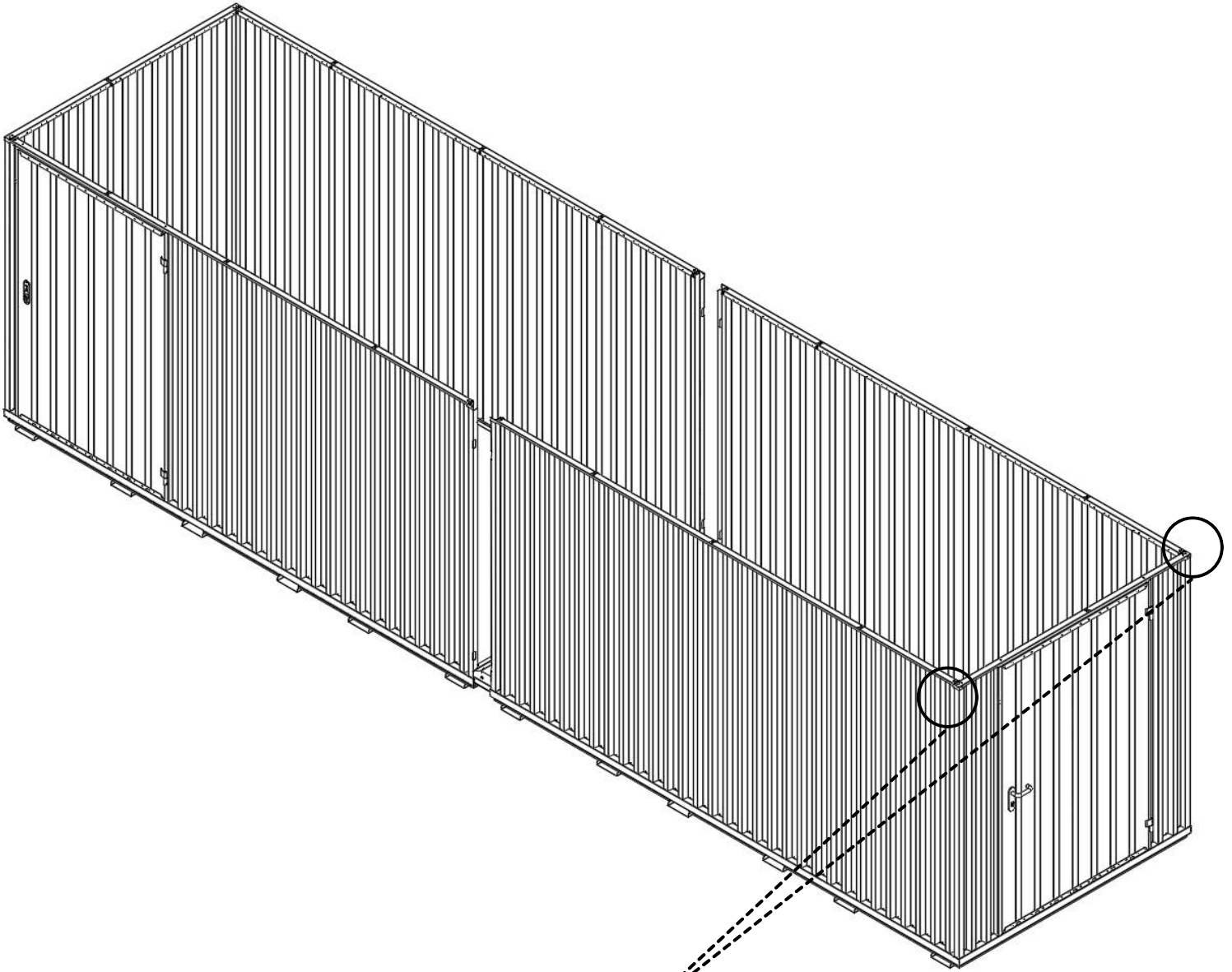
6



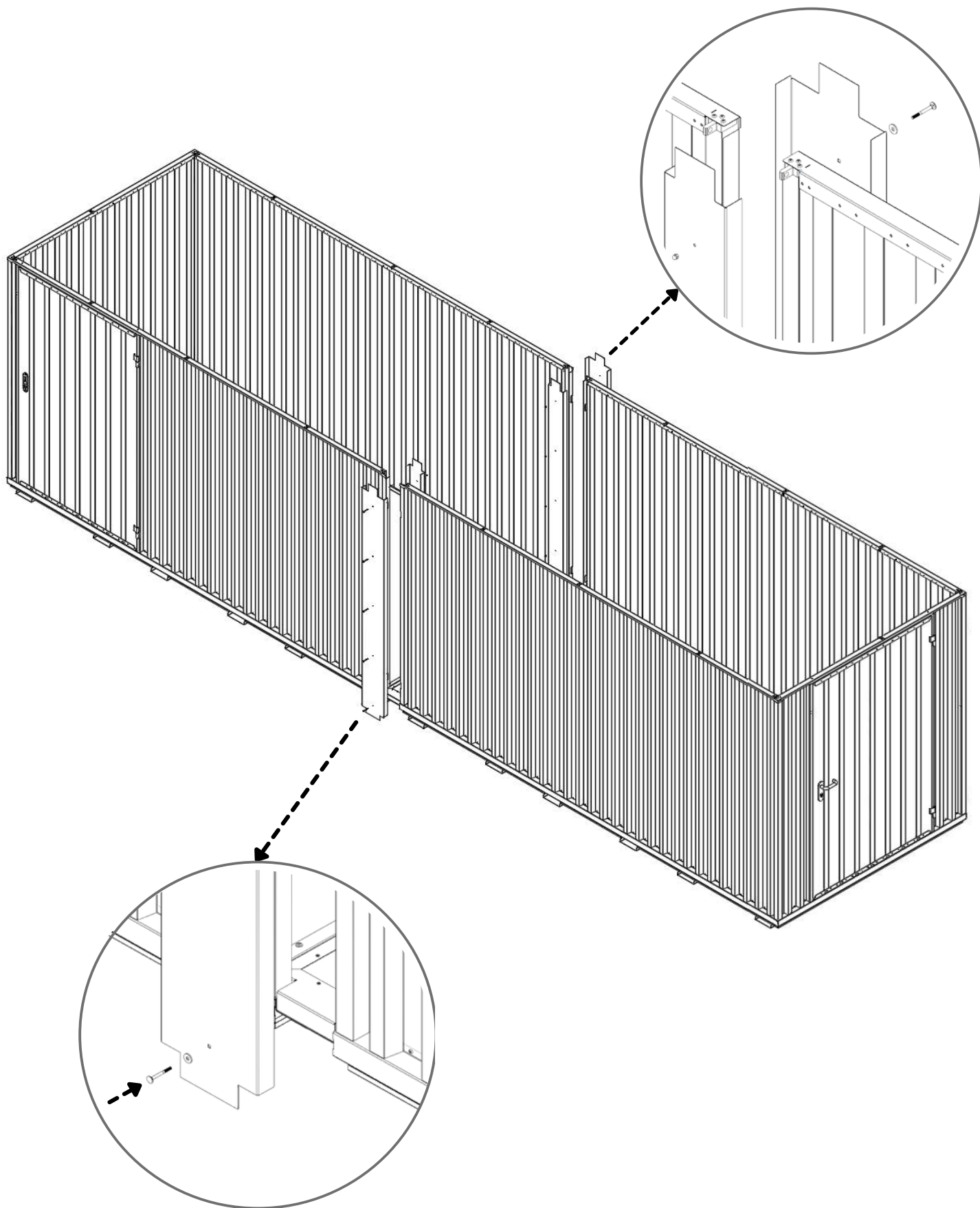
7



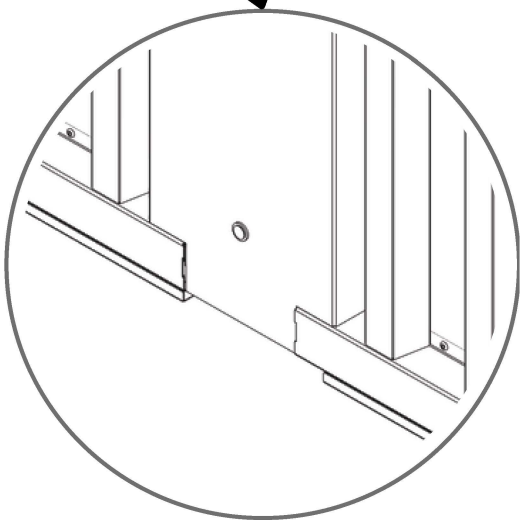
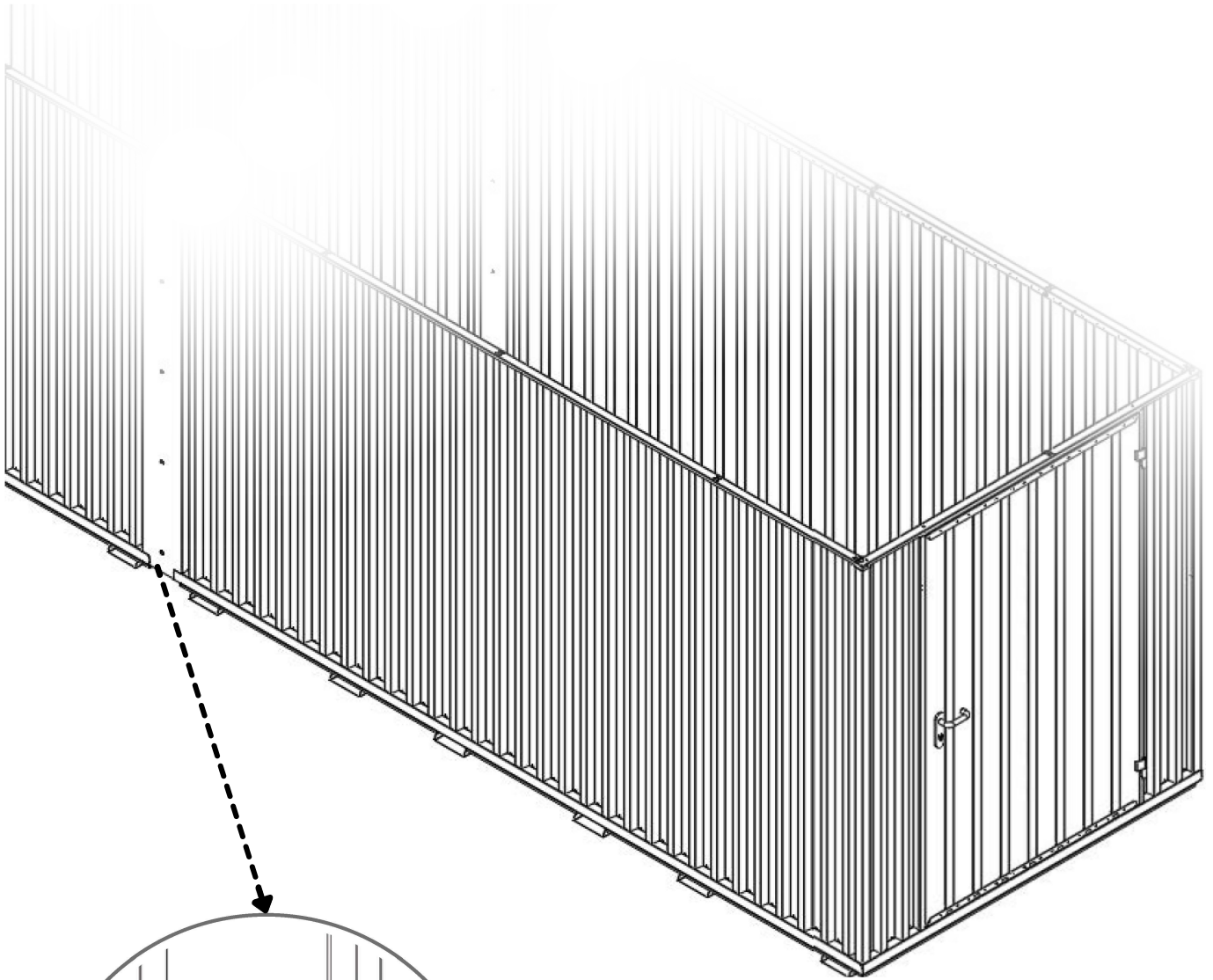
7.1



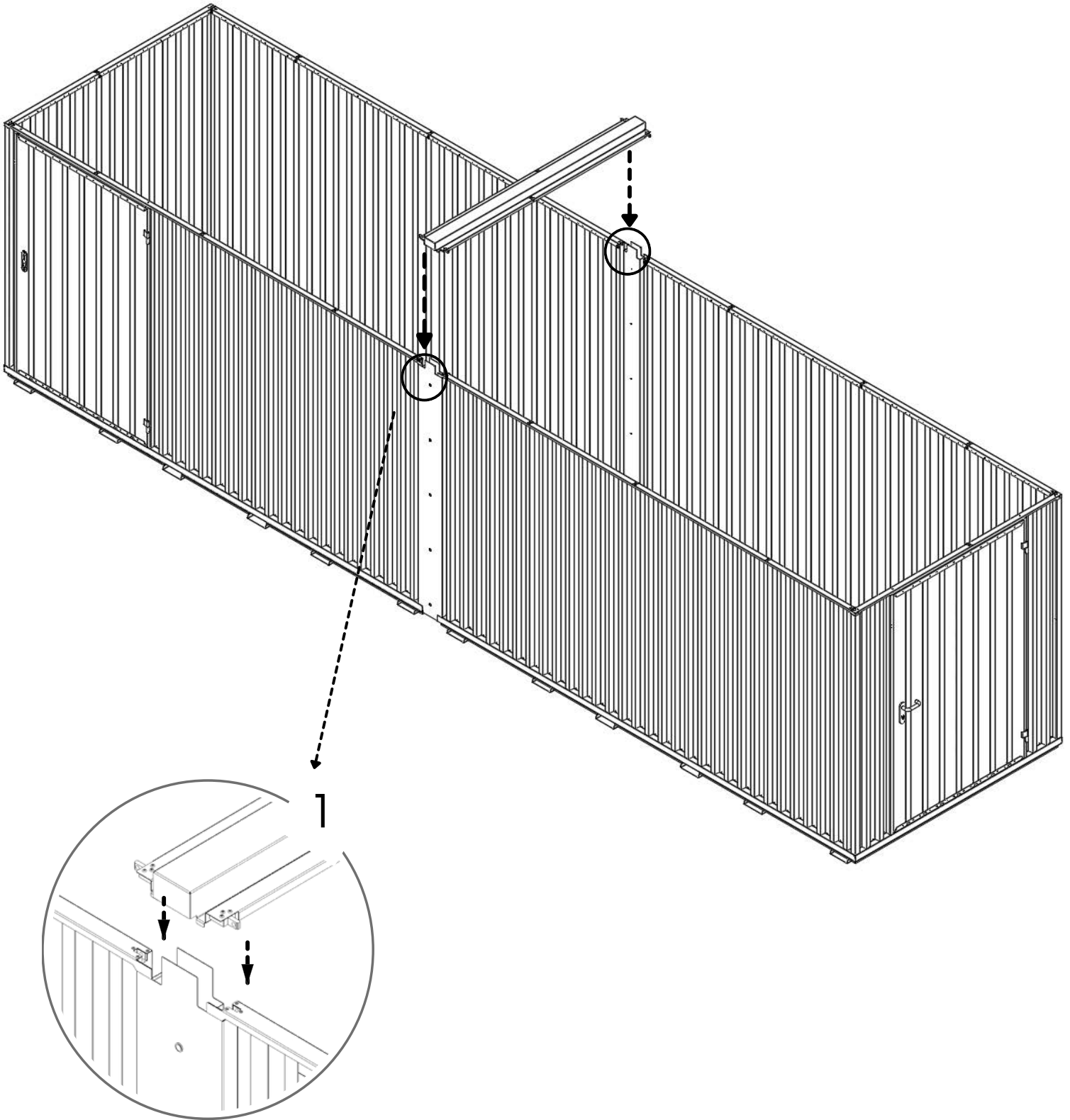
8



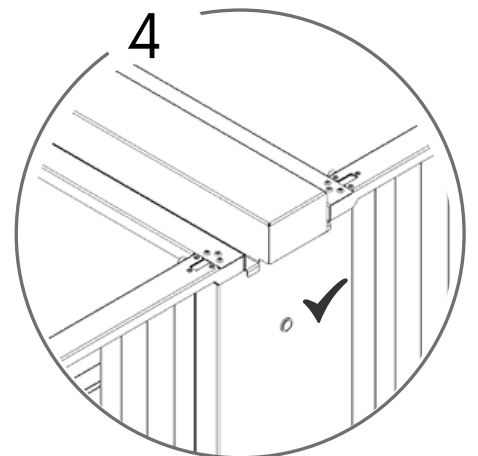
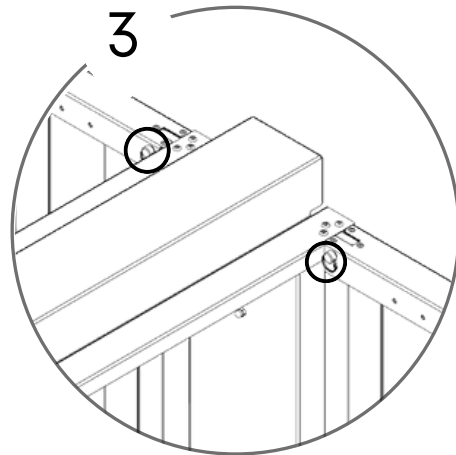
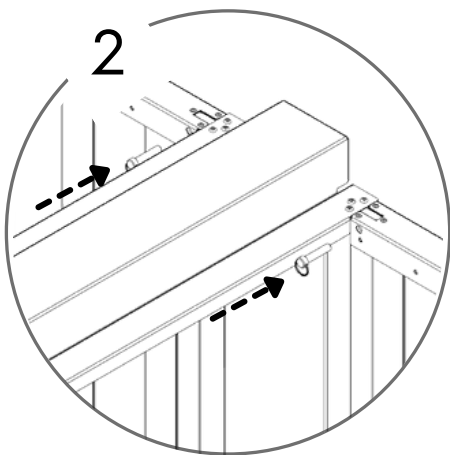
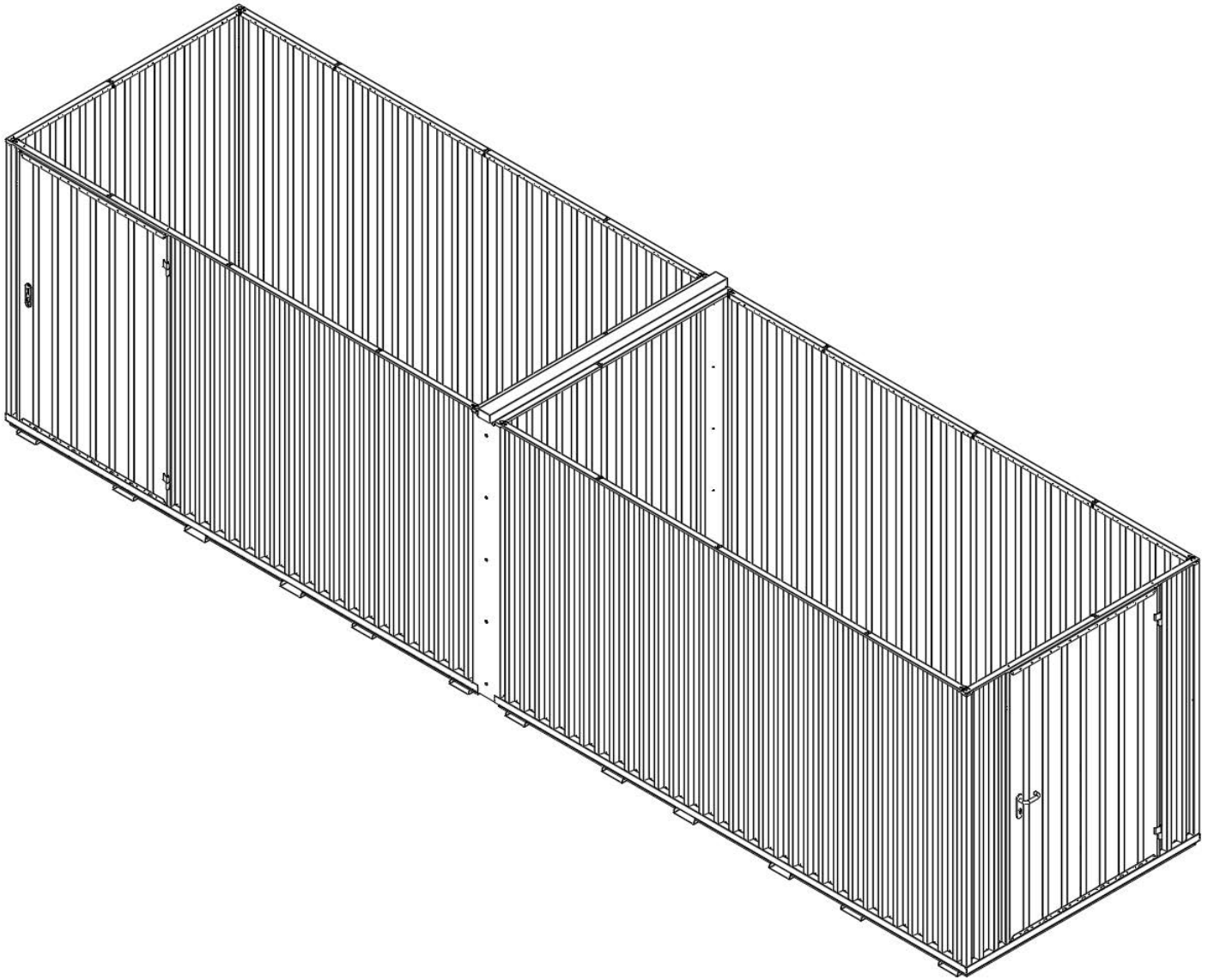
9











10

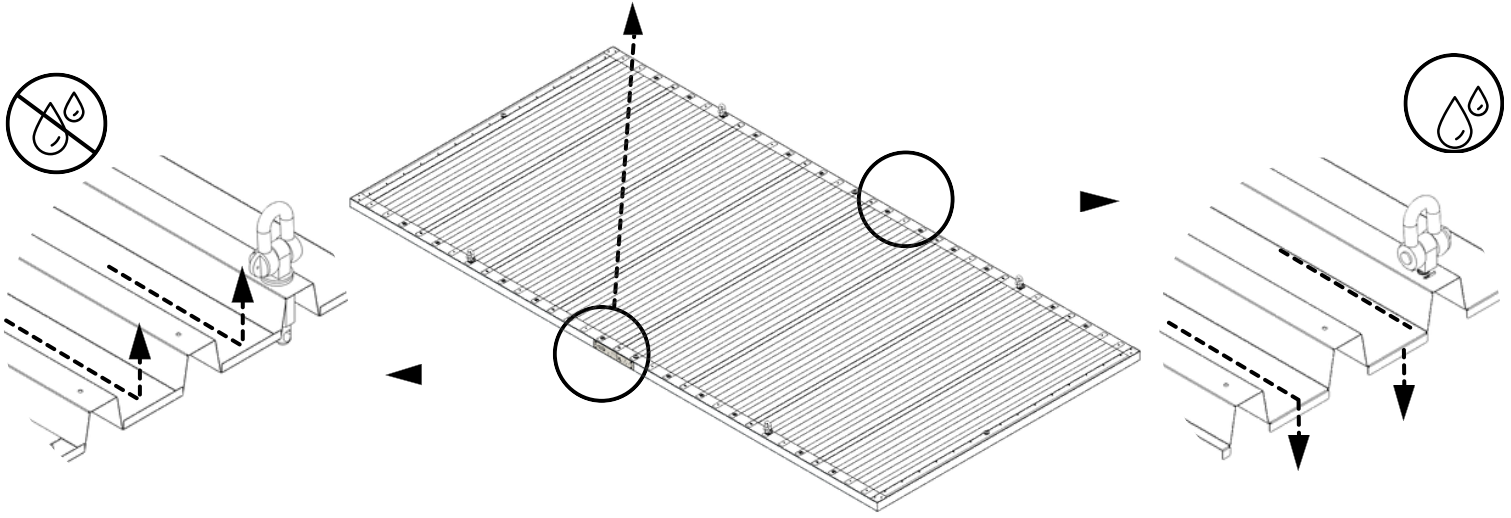


11

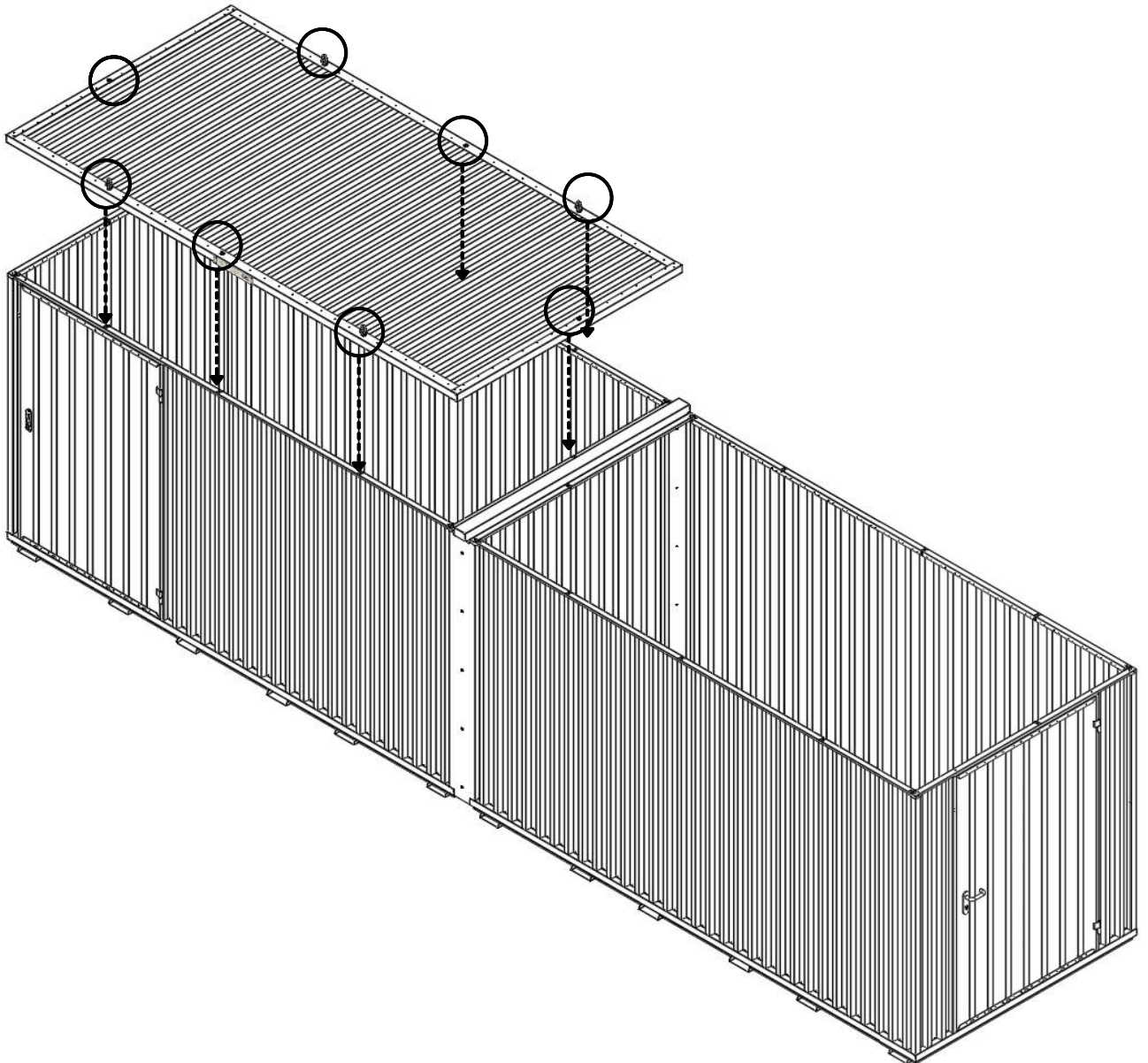




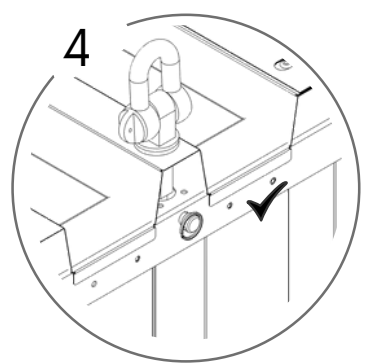
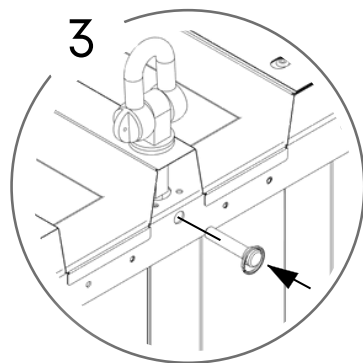
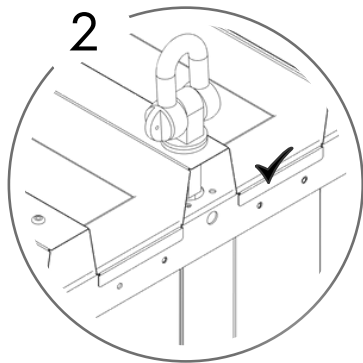
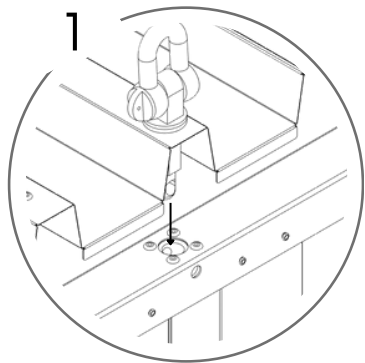
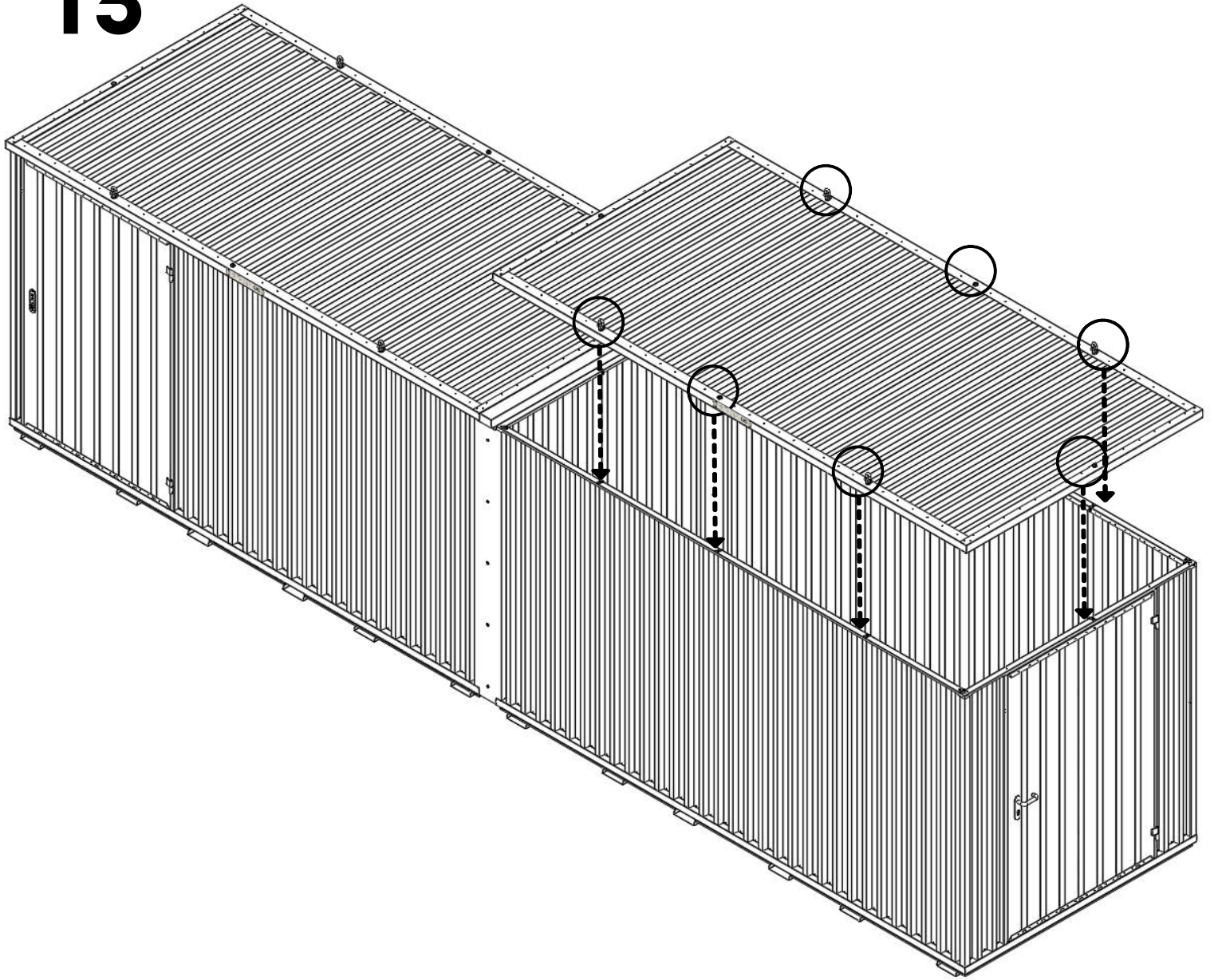
 815 KG	 1640 MM	Model Code: 4040.110.450.320 Production Tracking Code:/X09.1.4040.450.320	 9001	 14001	 50001			
---	--	---	---	--	--	---	---	---



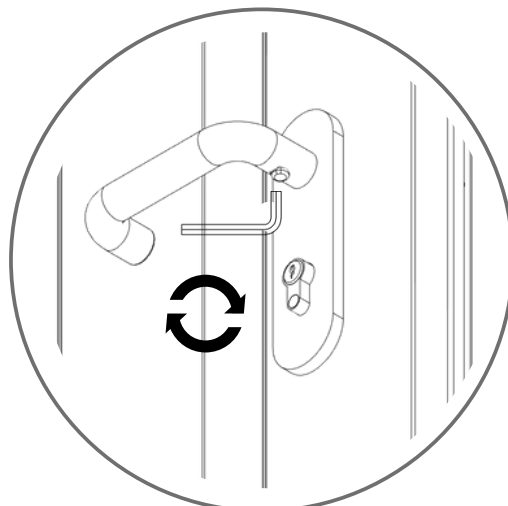
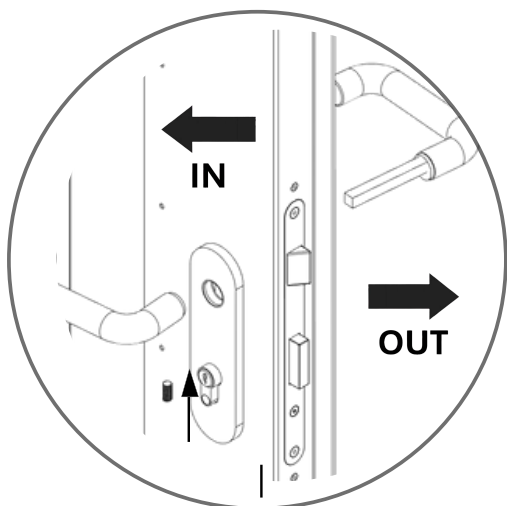
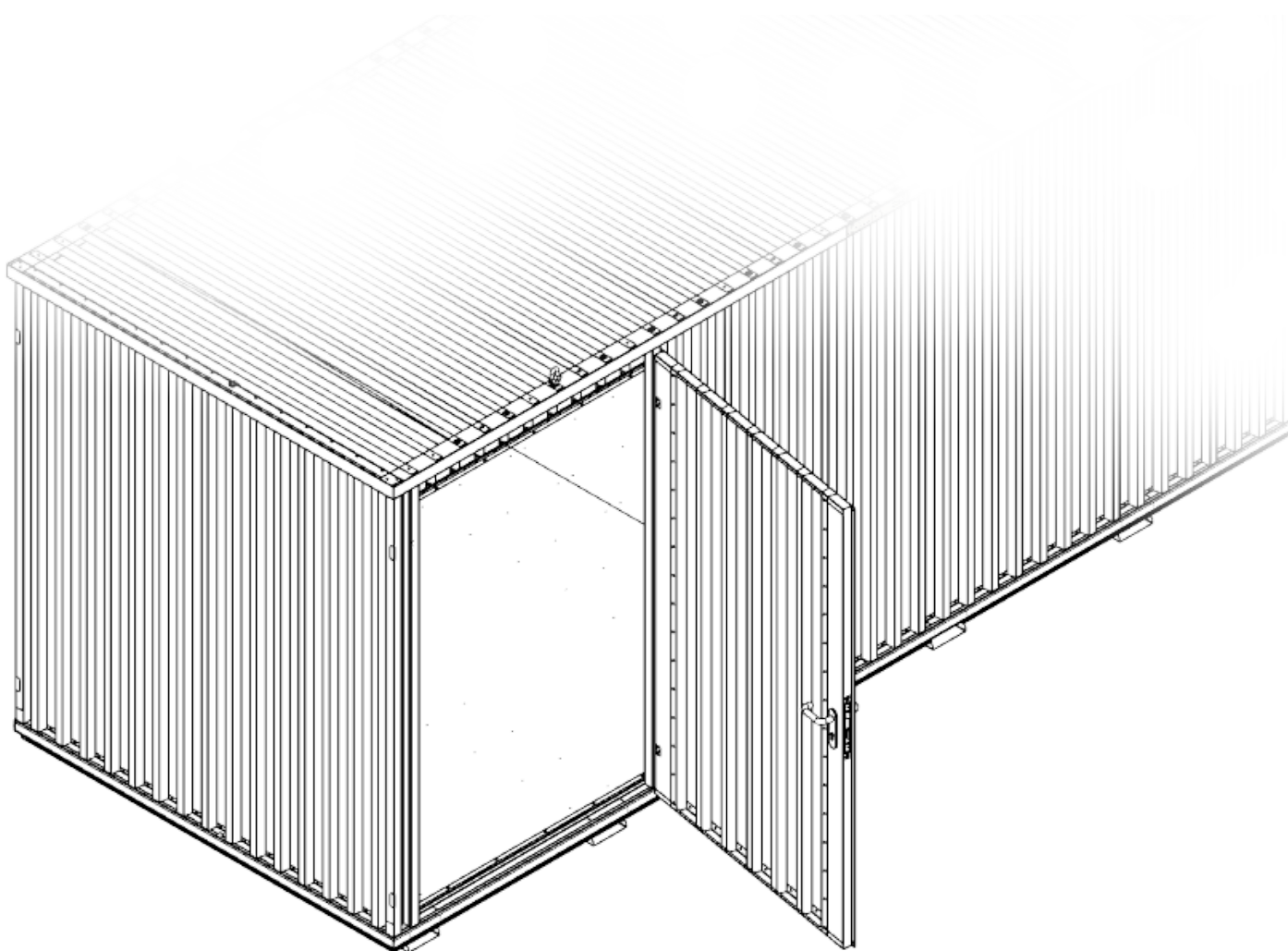
12



13



14



15

