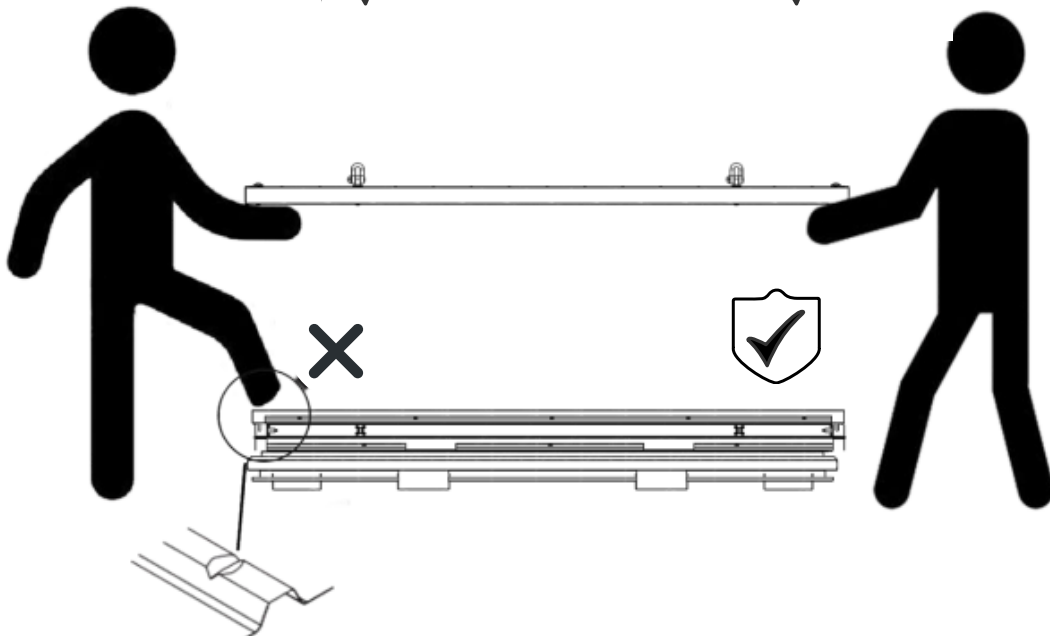
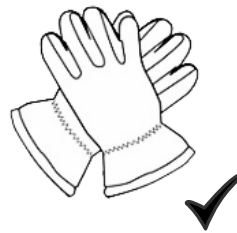


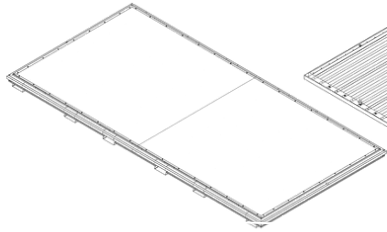
PRODUCT CODE:40.110.430

prefabase
Quick Build Solutions

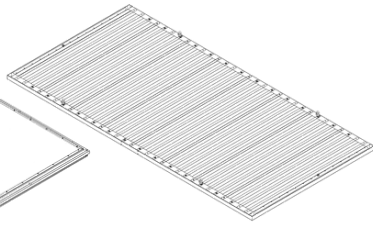
Instructions and User Guide



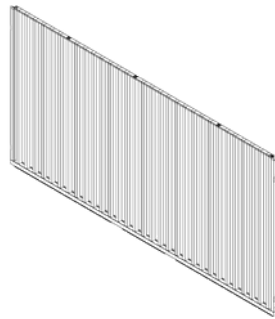
40.0110
1x



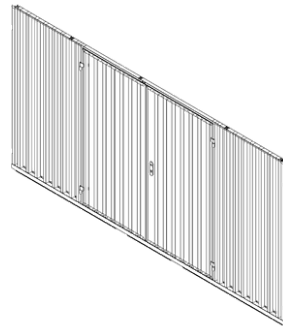
40.0510
1x



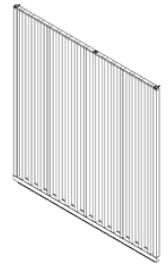
40.0410
1x



40.0430
1x



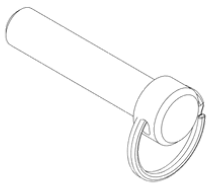
0310
2x



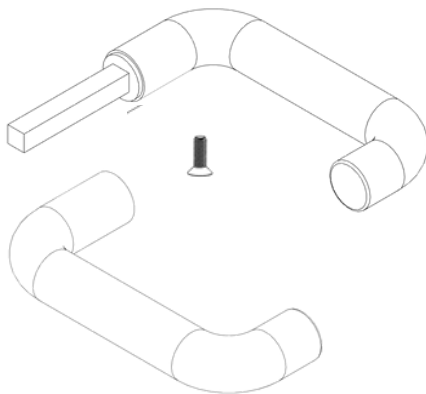
61.101
4x



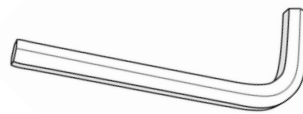
12x



1x



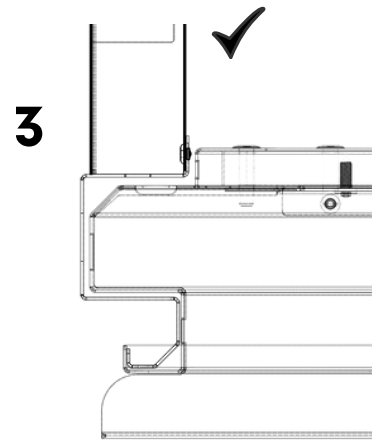
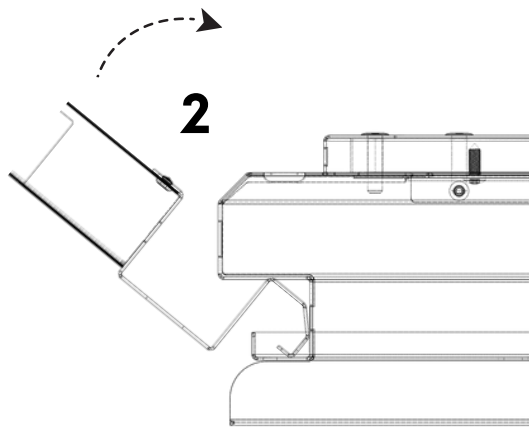
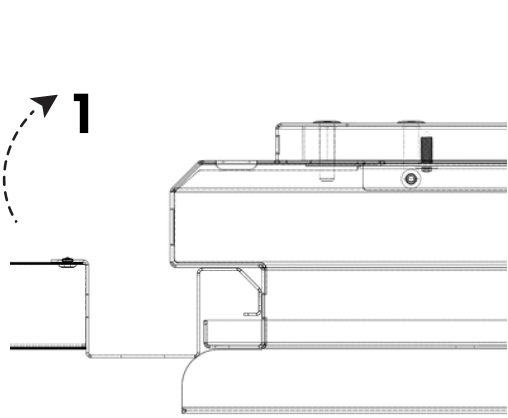
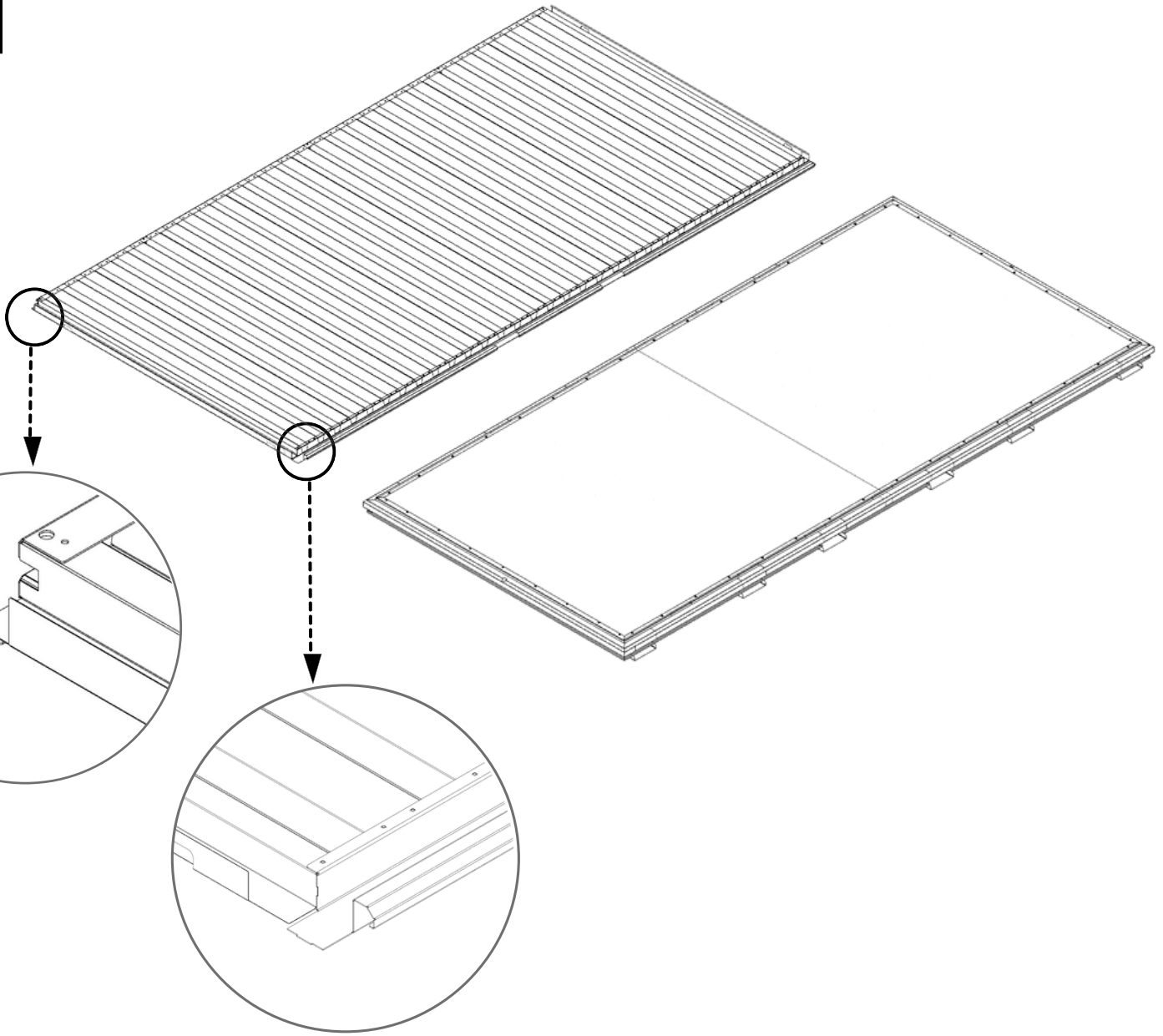
1x



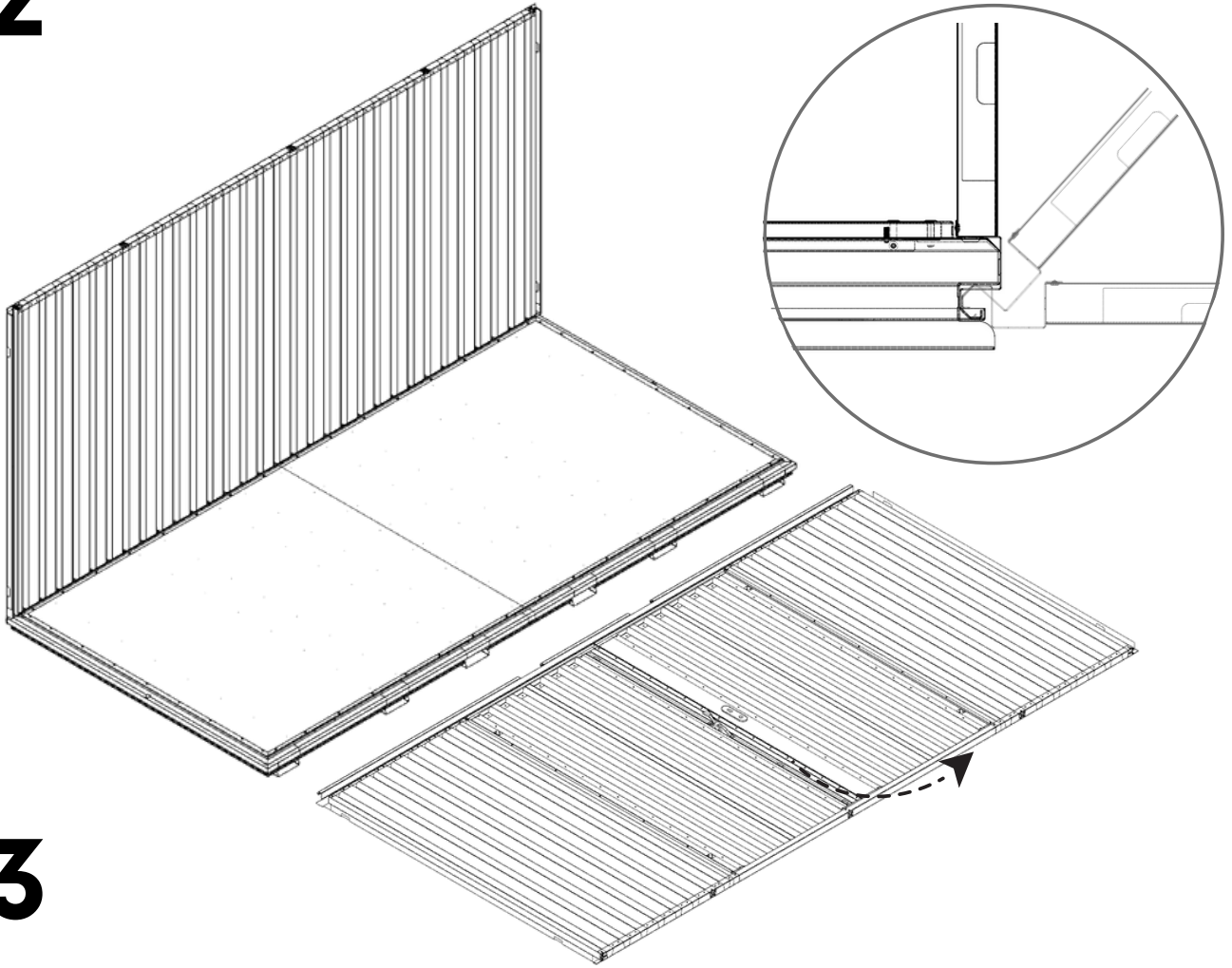
1x



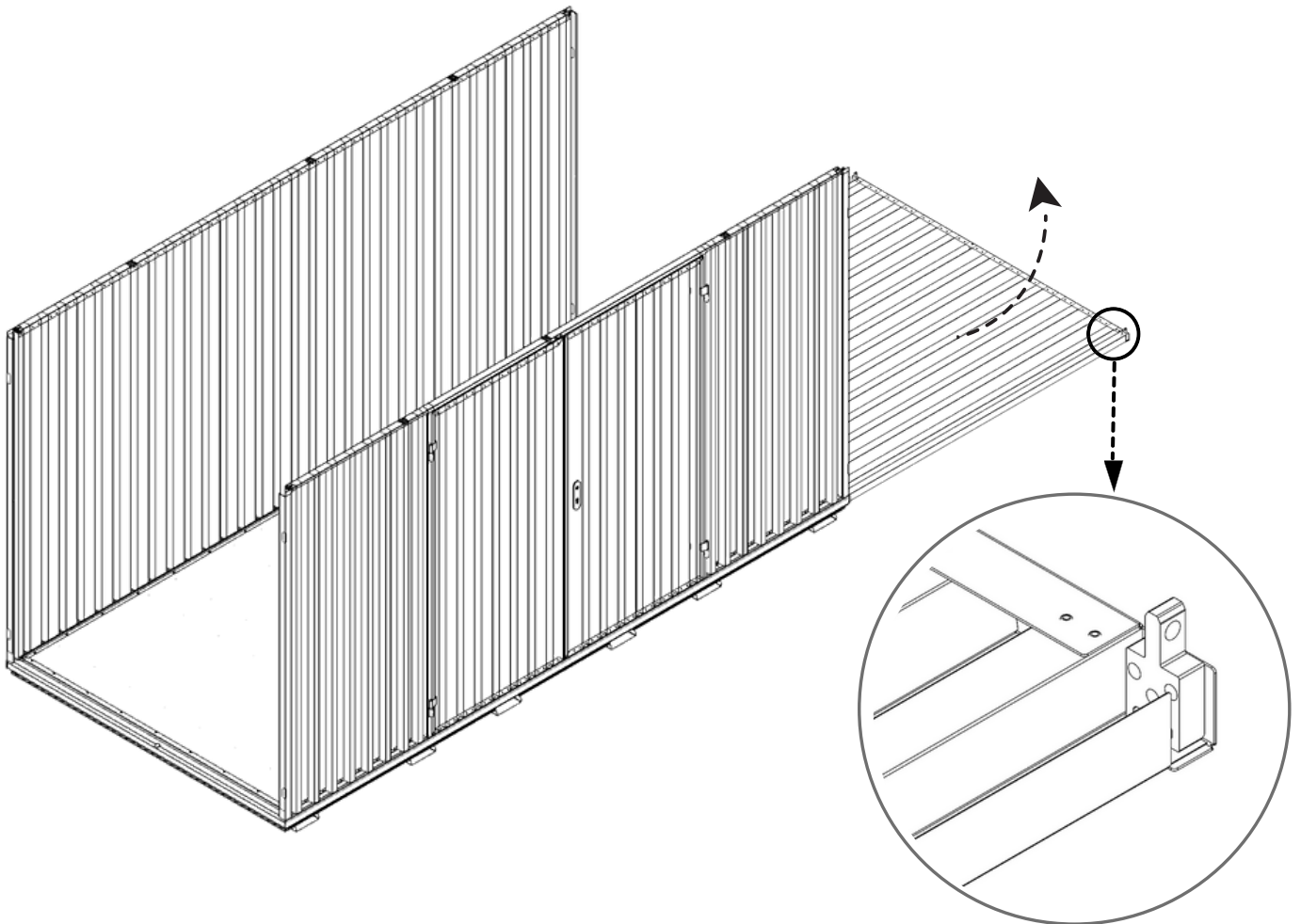
1



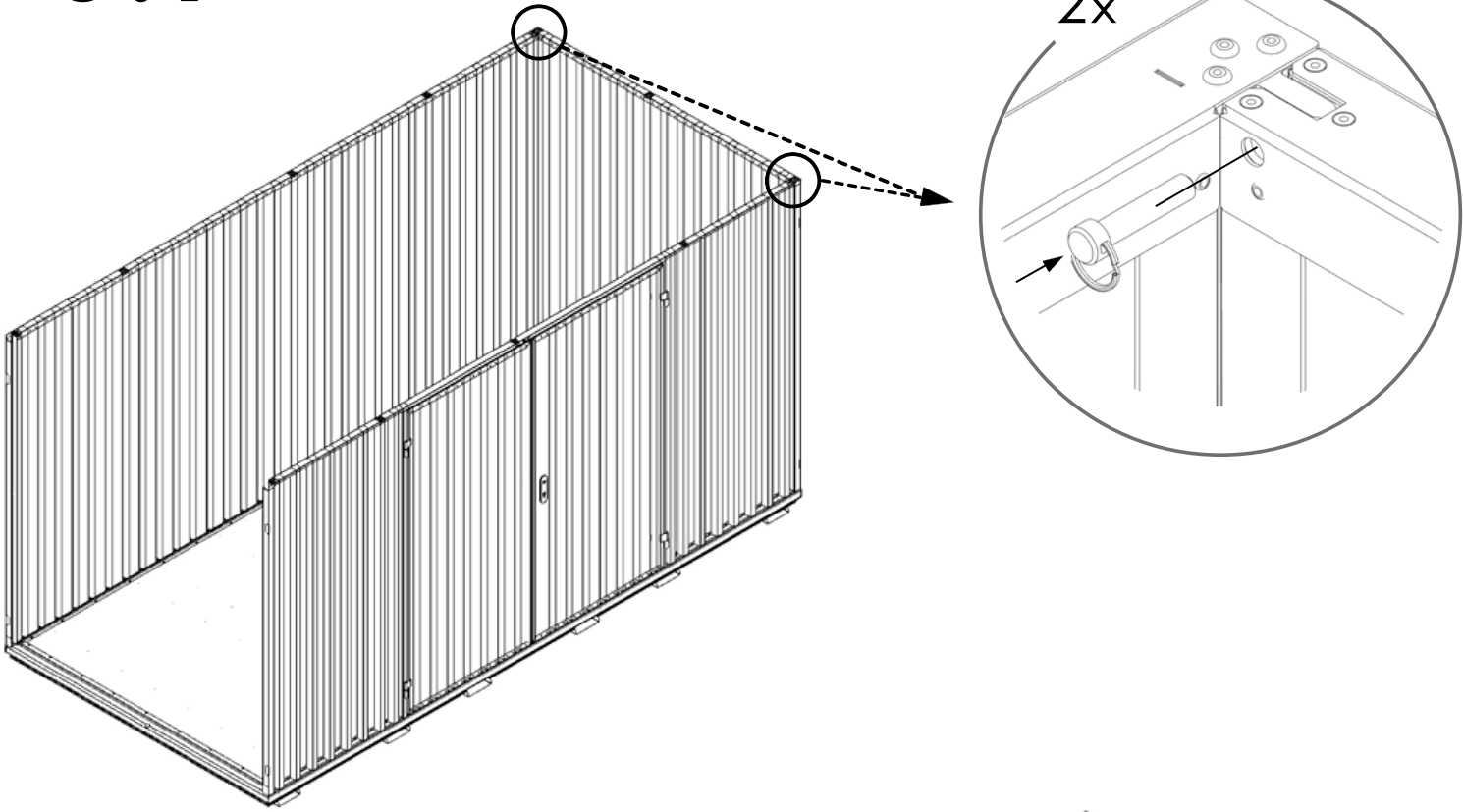
2



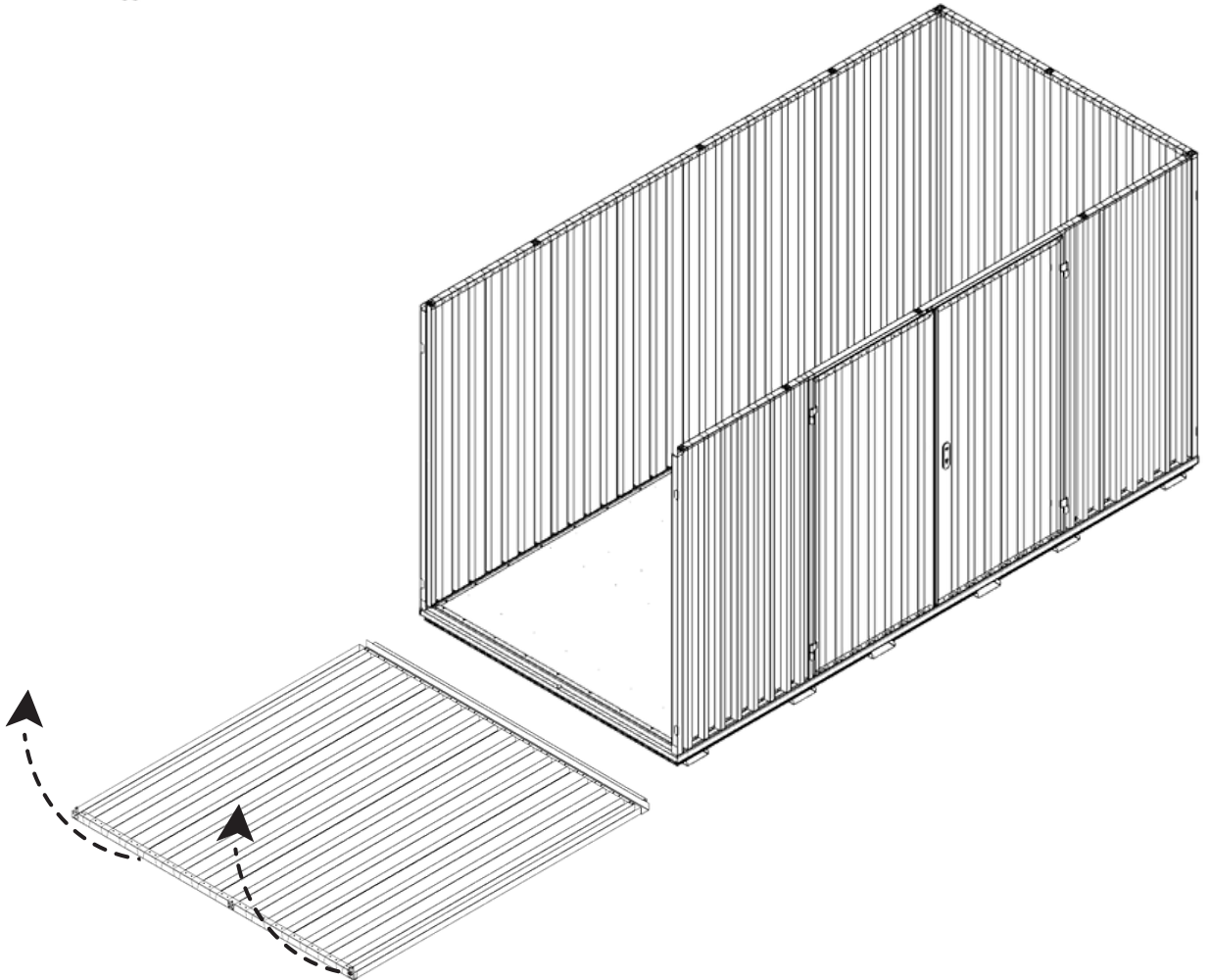
3



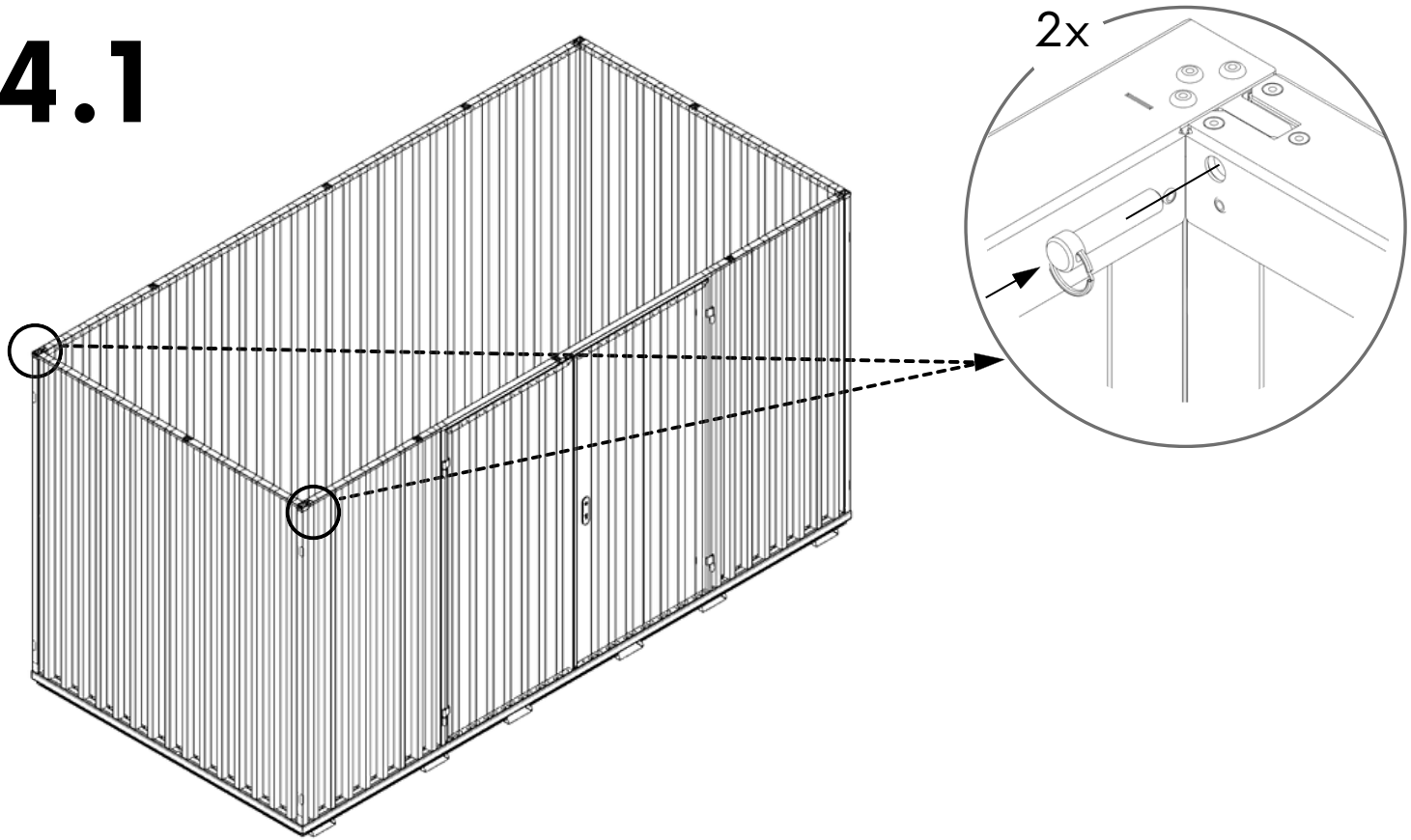
3.1











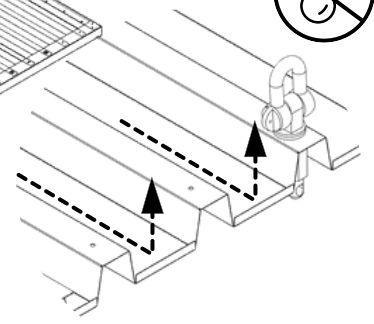
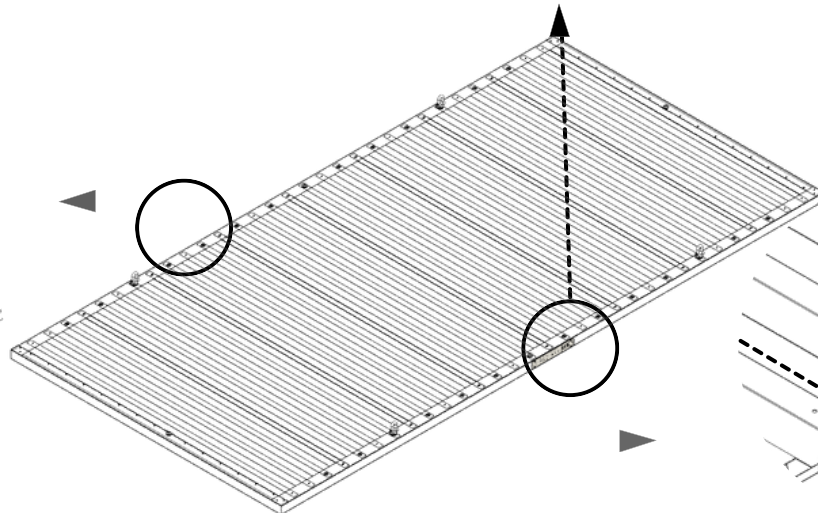
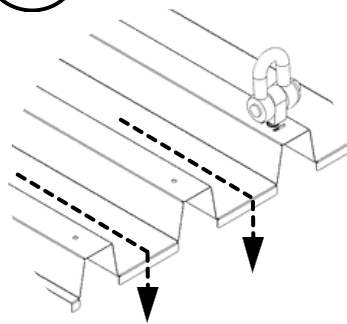
4



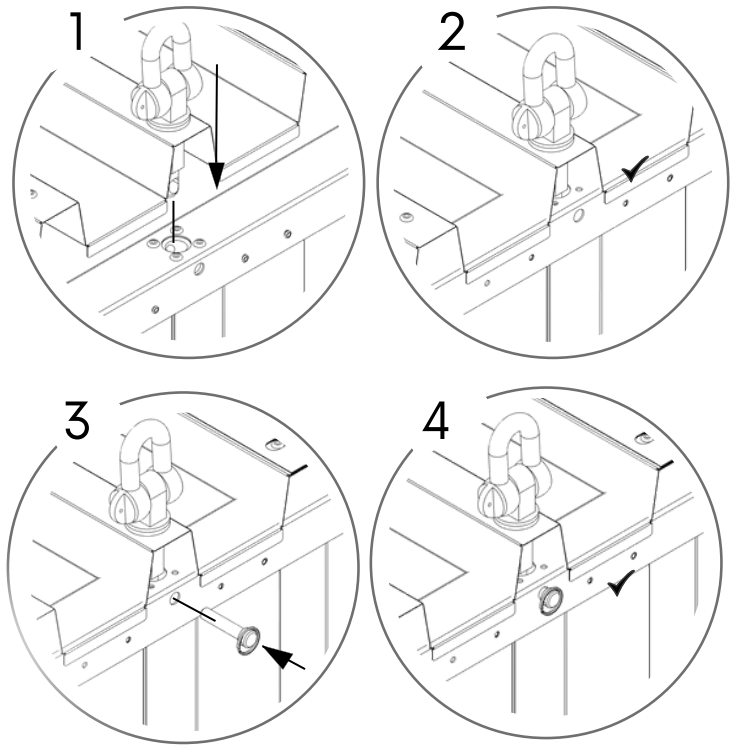
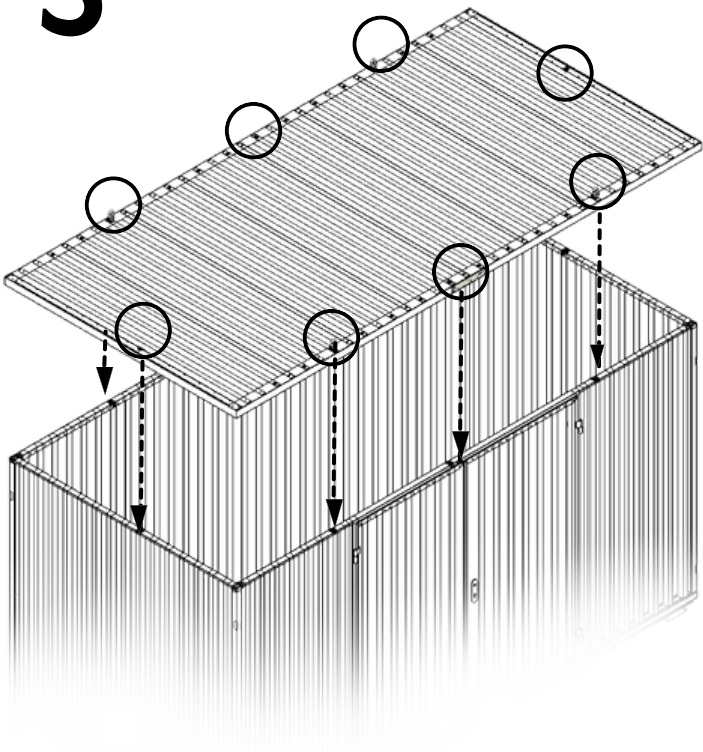
4.1



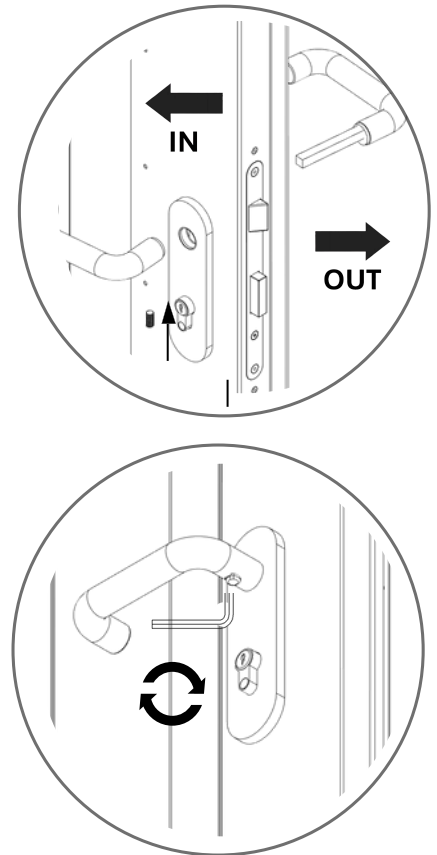
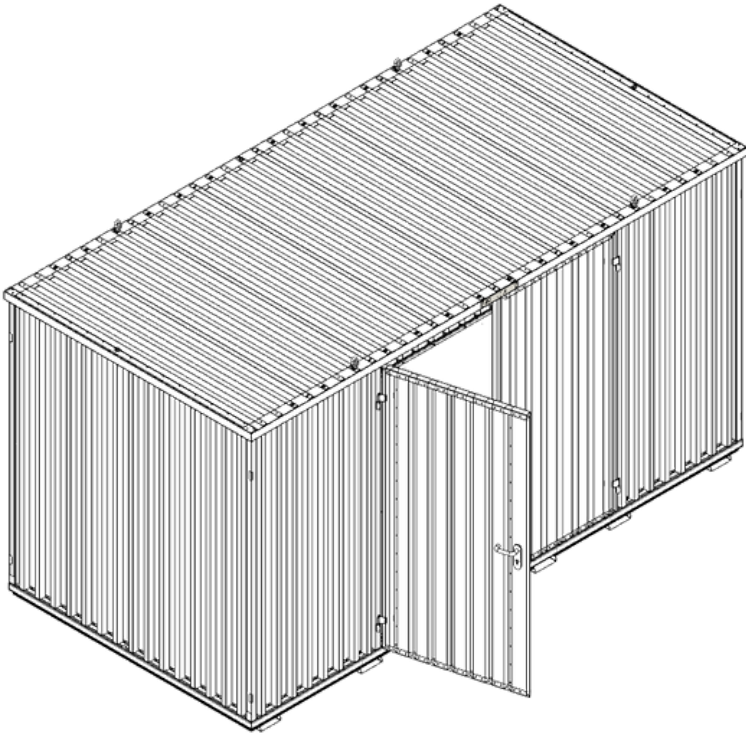
 433 KG	 1640 MM	Model Code: 40.110.430 Production Tracking Code: /X09.1.40.430   	 	
---	--	---	---	---



5



6



7

