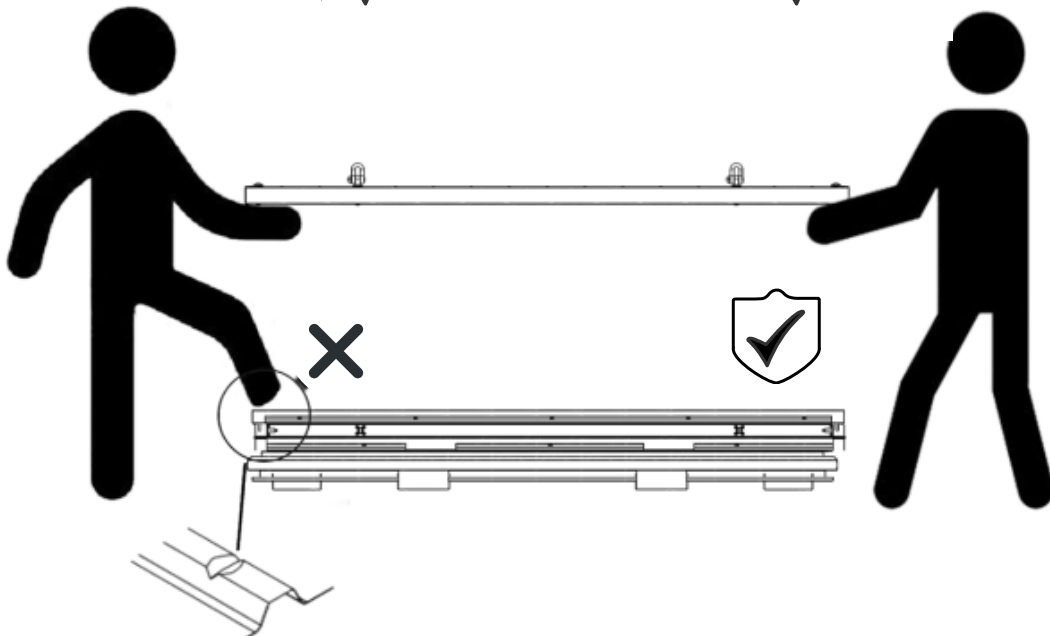
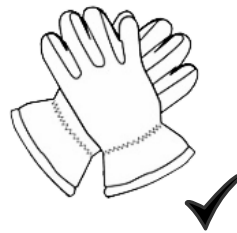
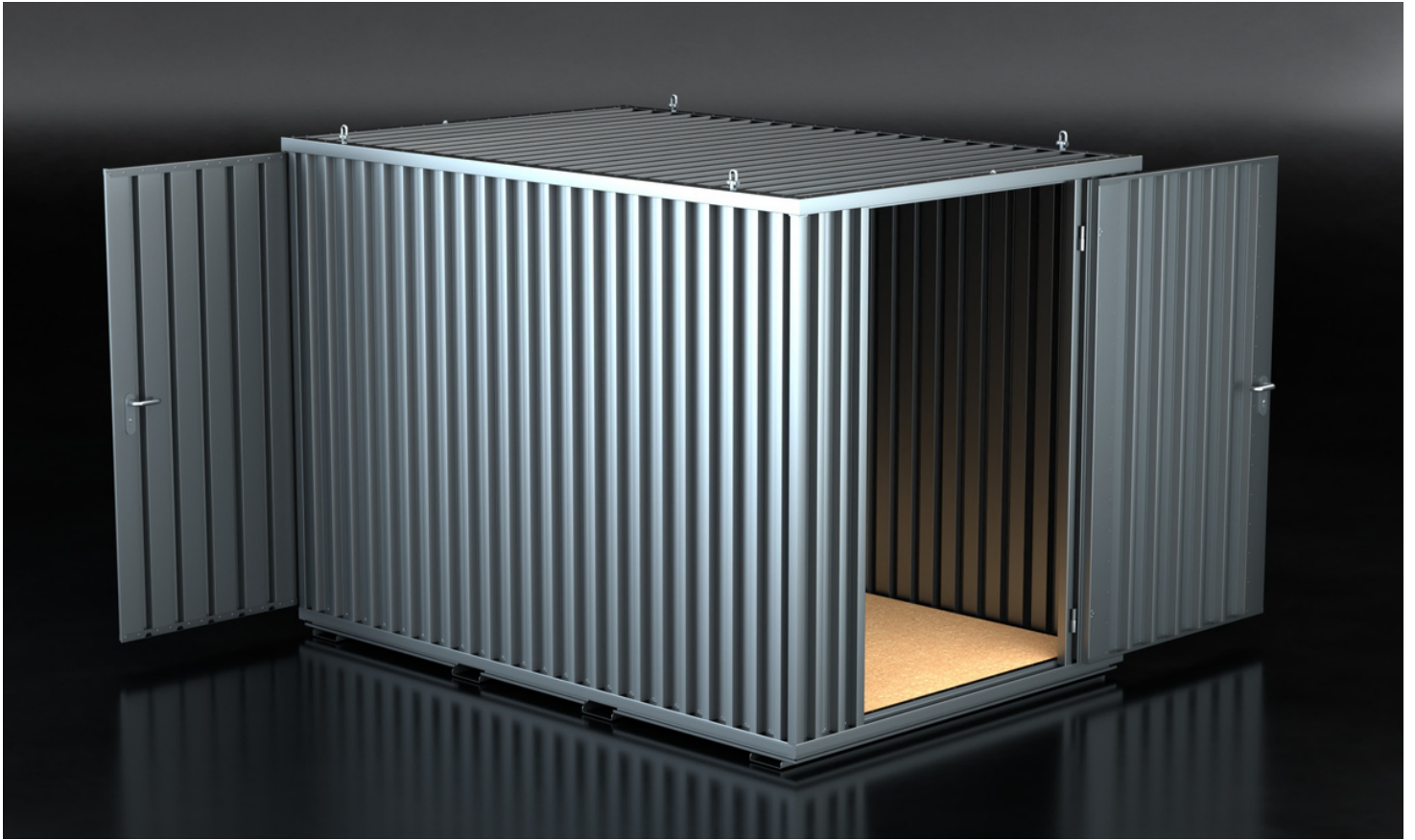


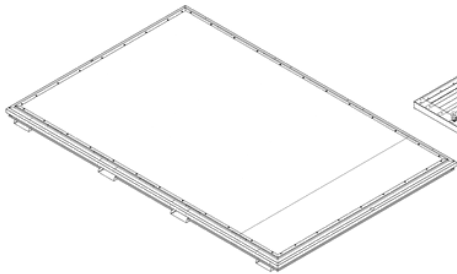
PRODUCT CODE 30.110.320.321

prefabase
Quick Build Solutions

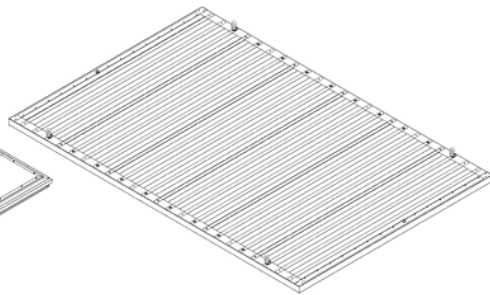
Instructions and User Guide



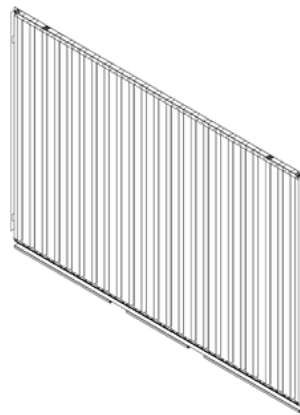
30.0110
1x



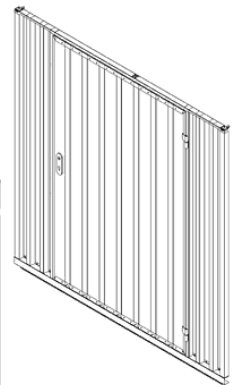
30.0510
1x



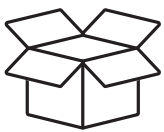
30.0410
2x



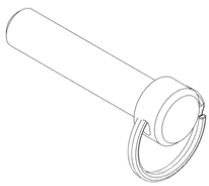
0320
2x



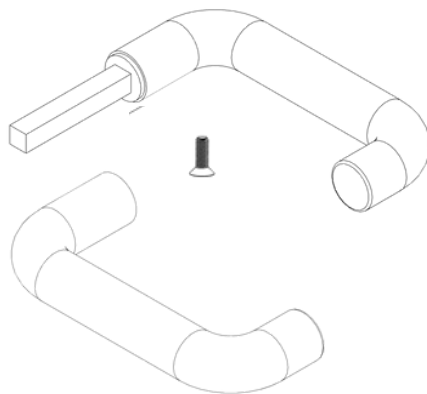
61.101
4x



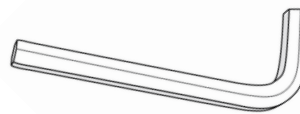
10x



2x



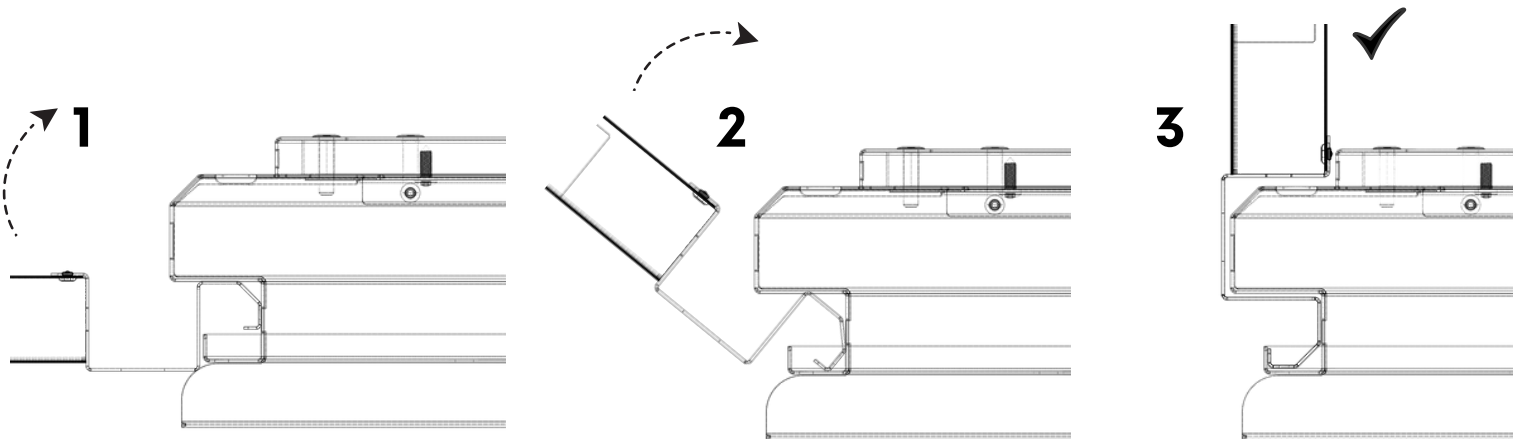
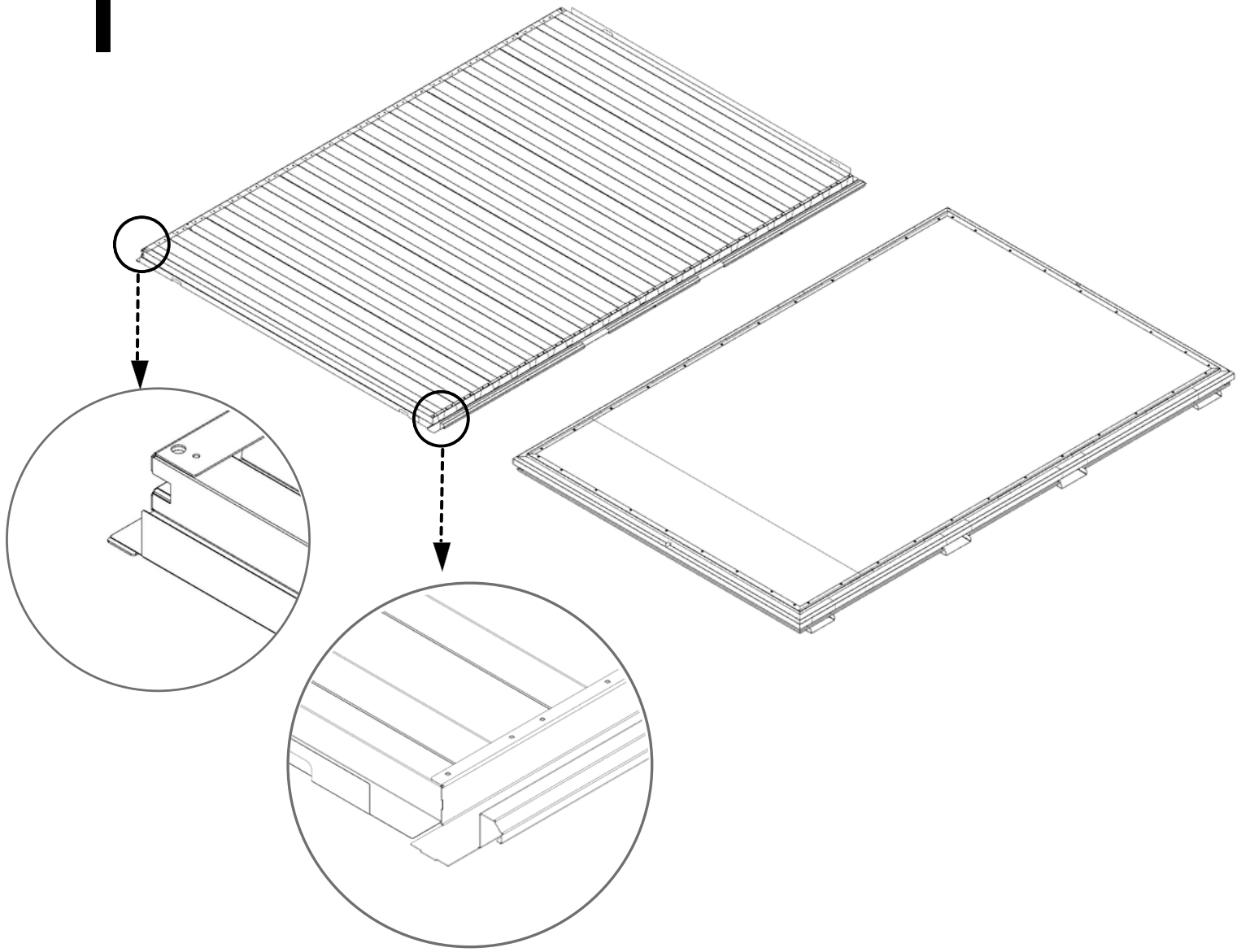
1x



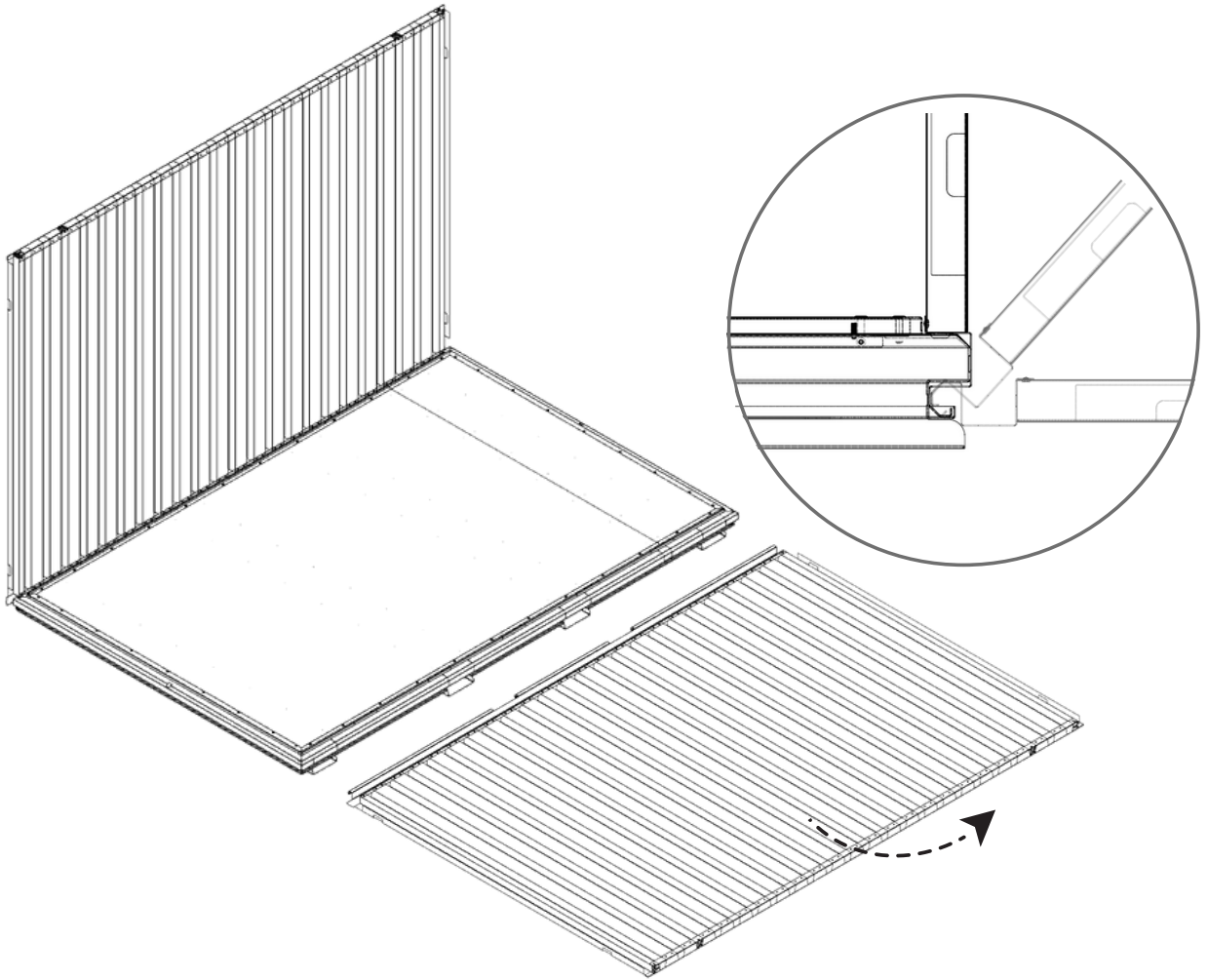
2x



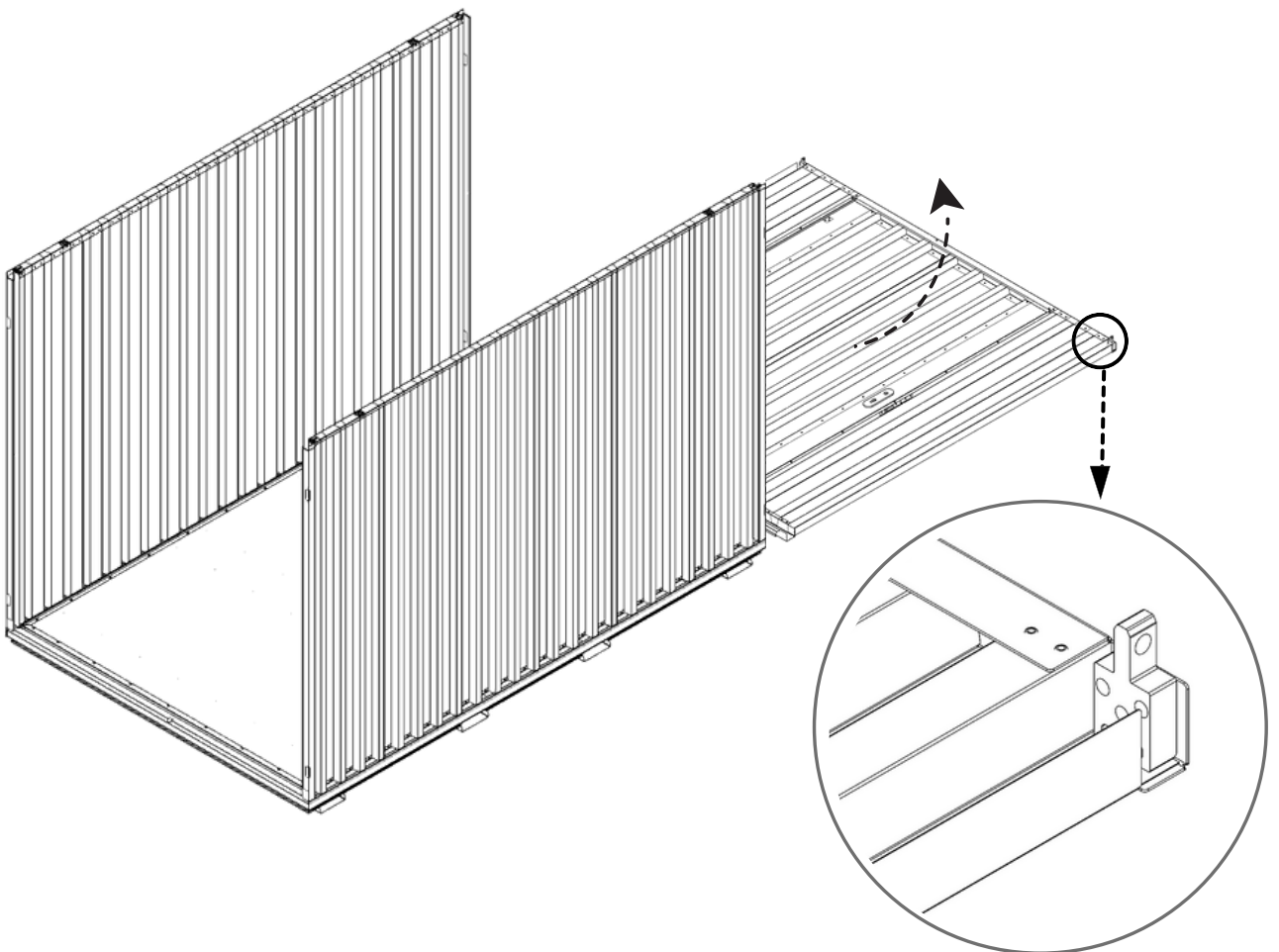
1



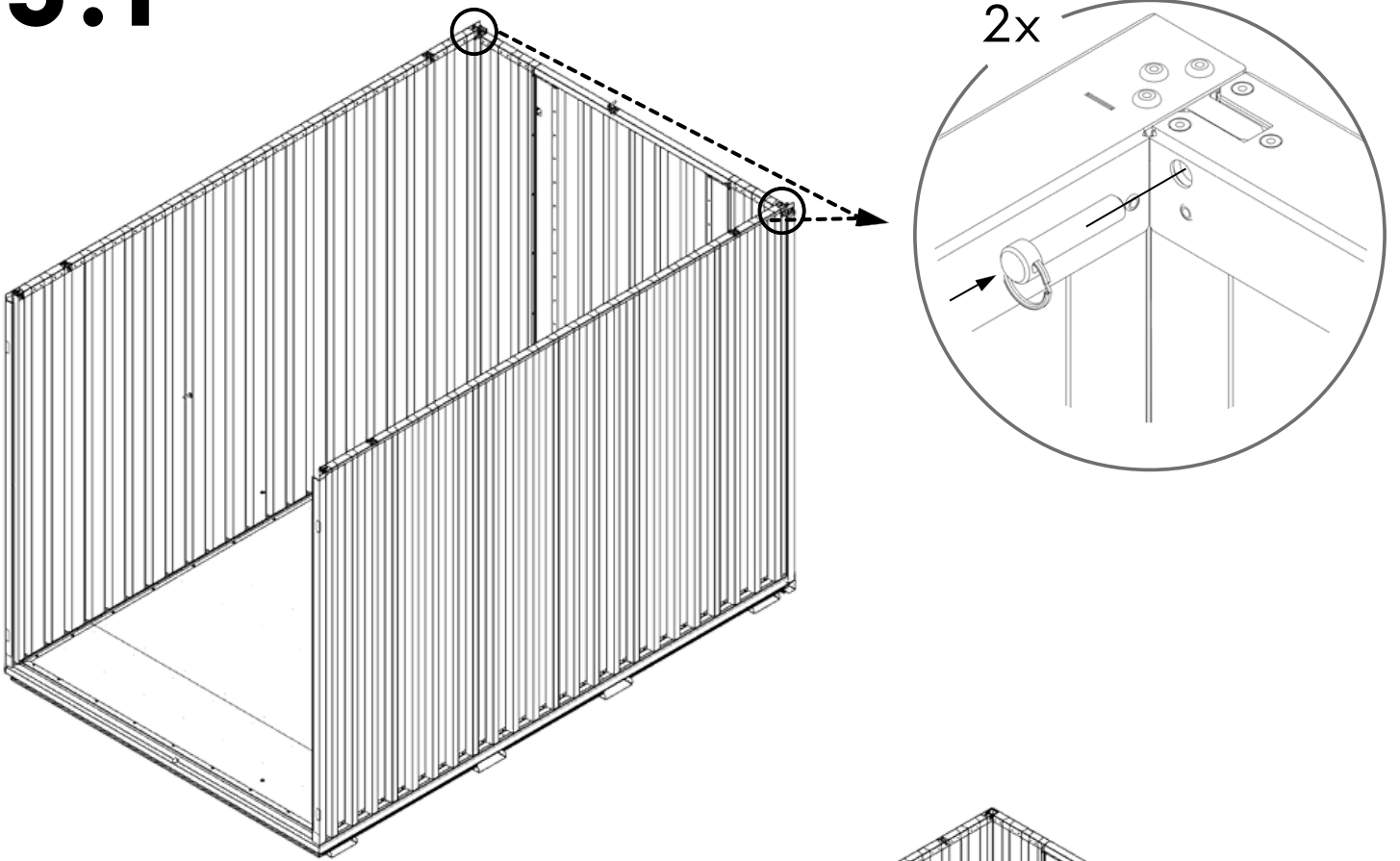
2



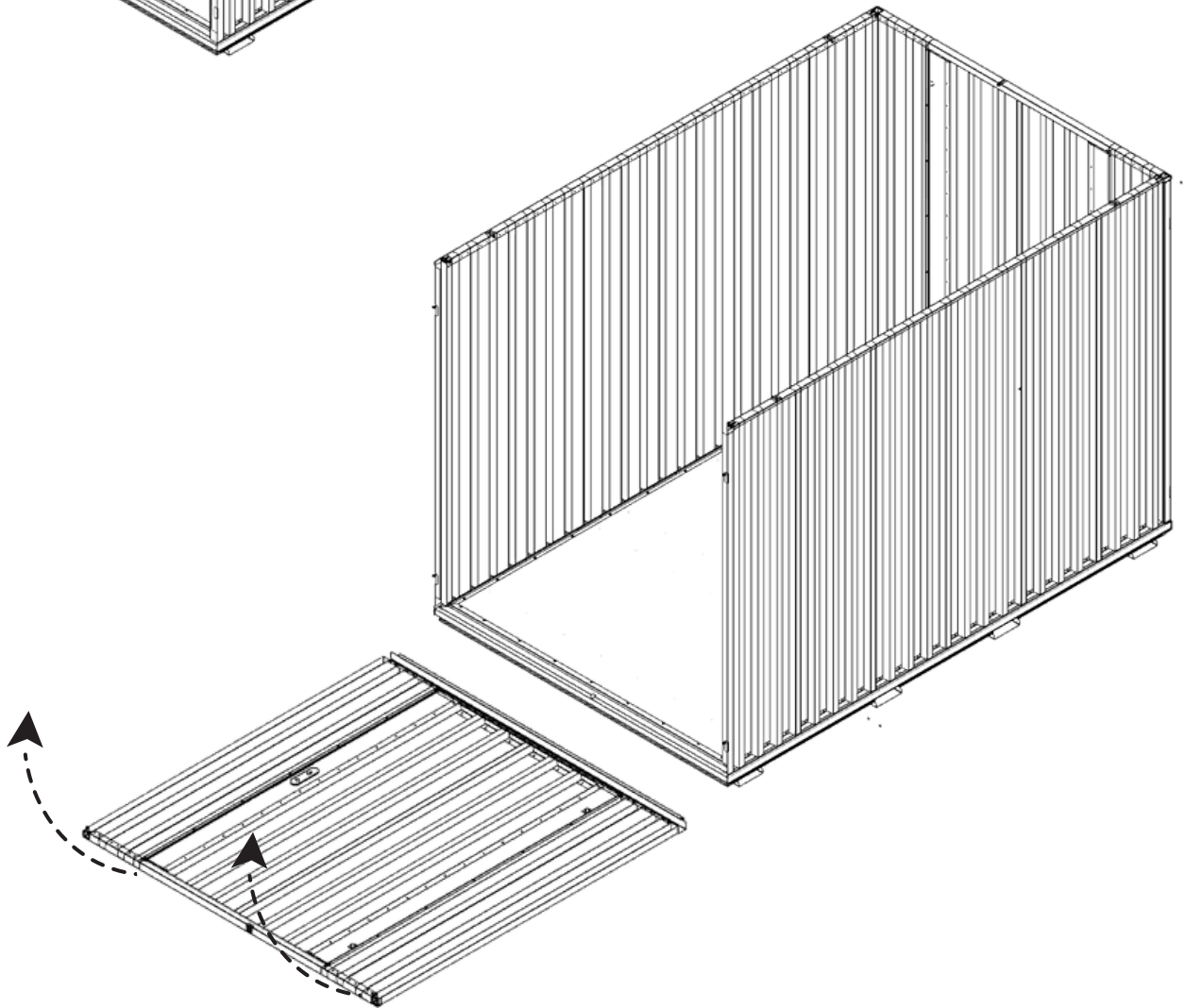
3



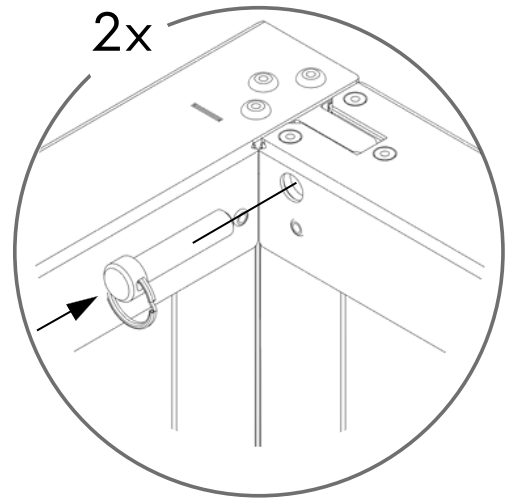
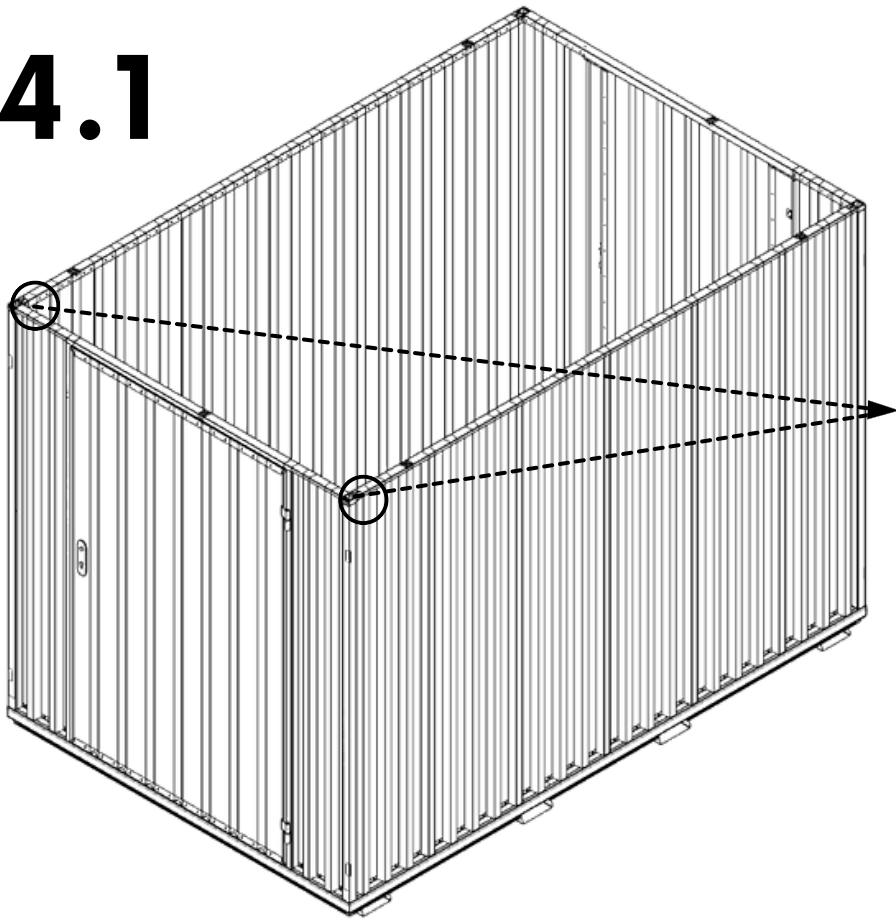
3.1











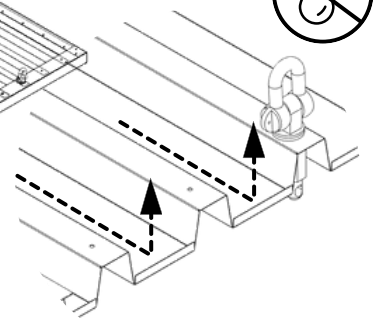
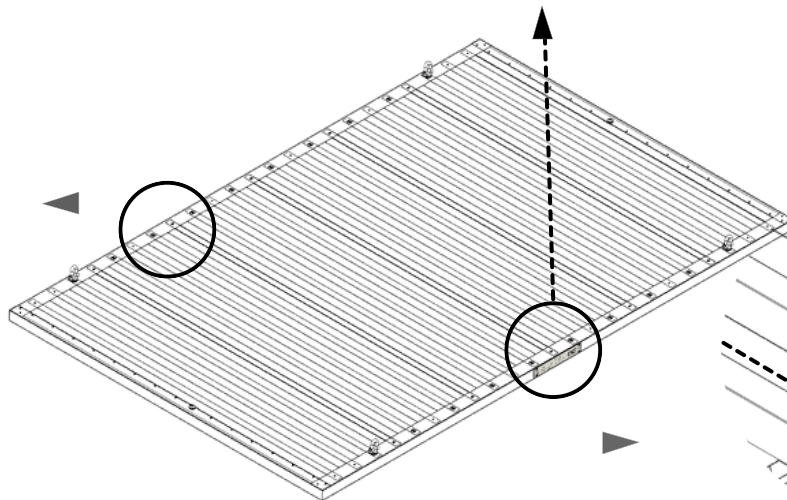
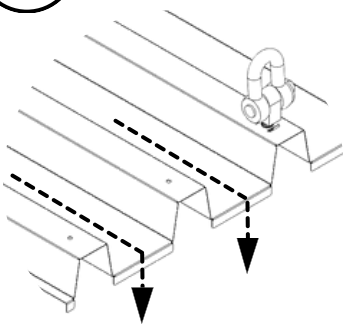
4



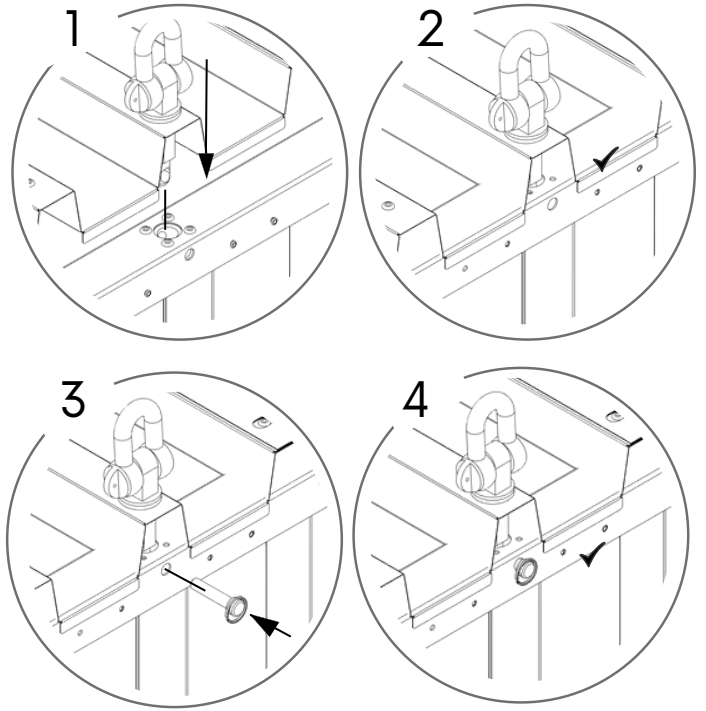
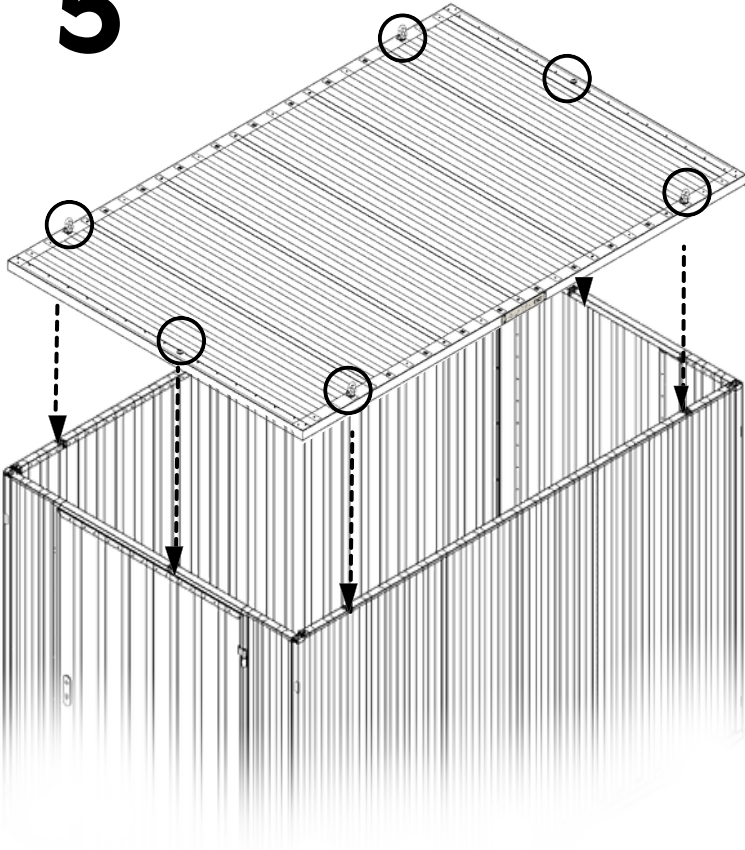
4.1



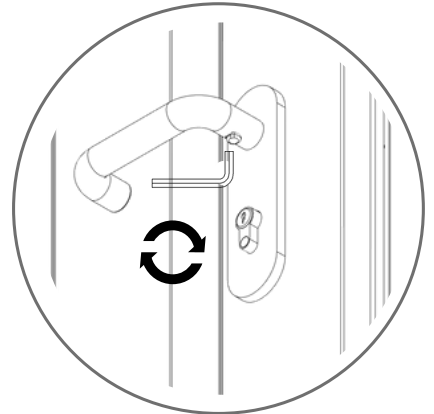
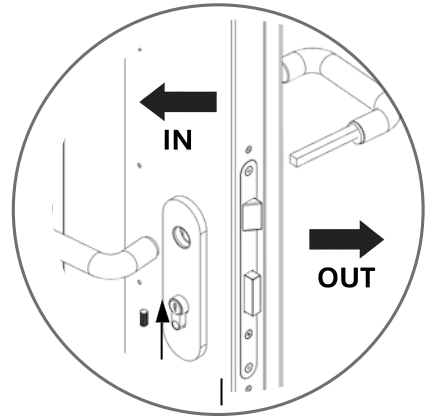
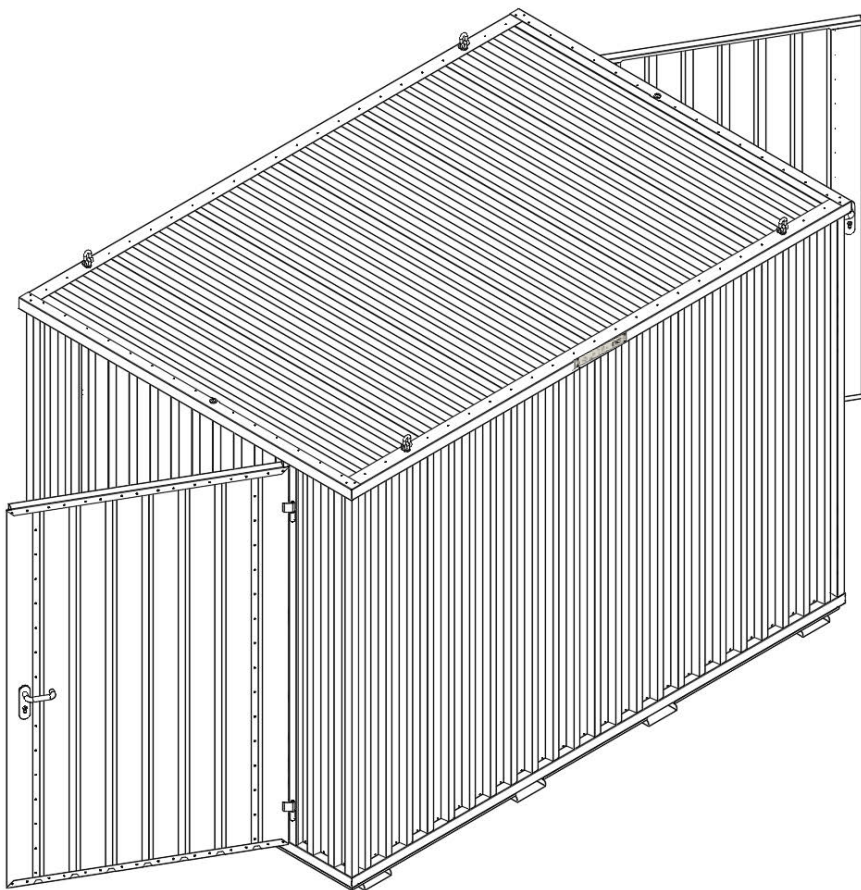
 353 KG	 1640 MM	Model Code: 30.110.320.321 Production Tracking Code:/X09.1.30.320.321	 9001	 14001	 50001			
---	--	---	---	--	--	---	---	---



5



6



7

