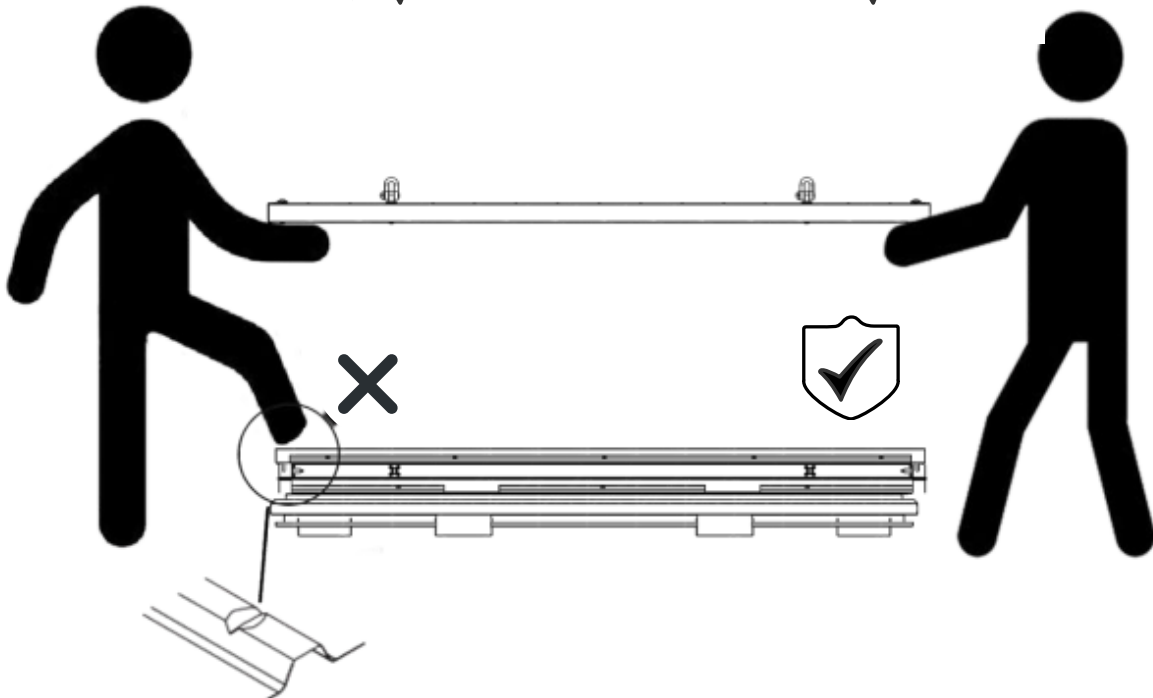
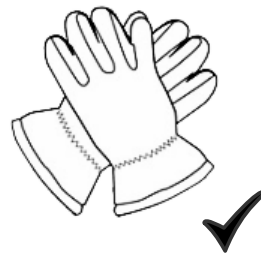
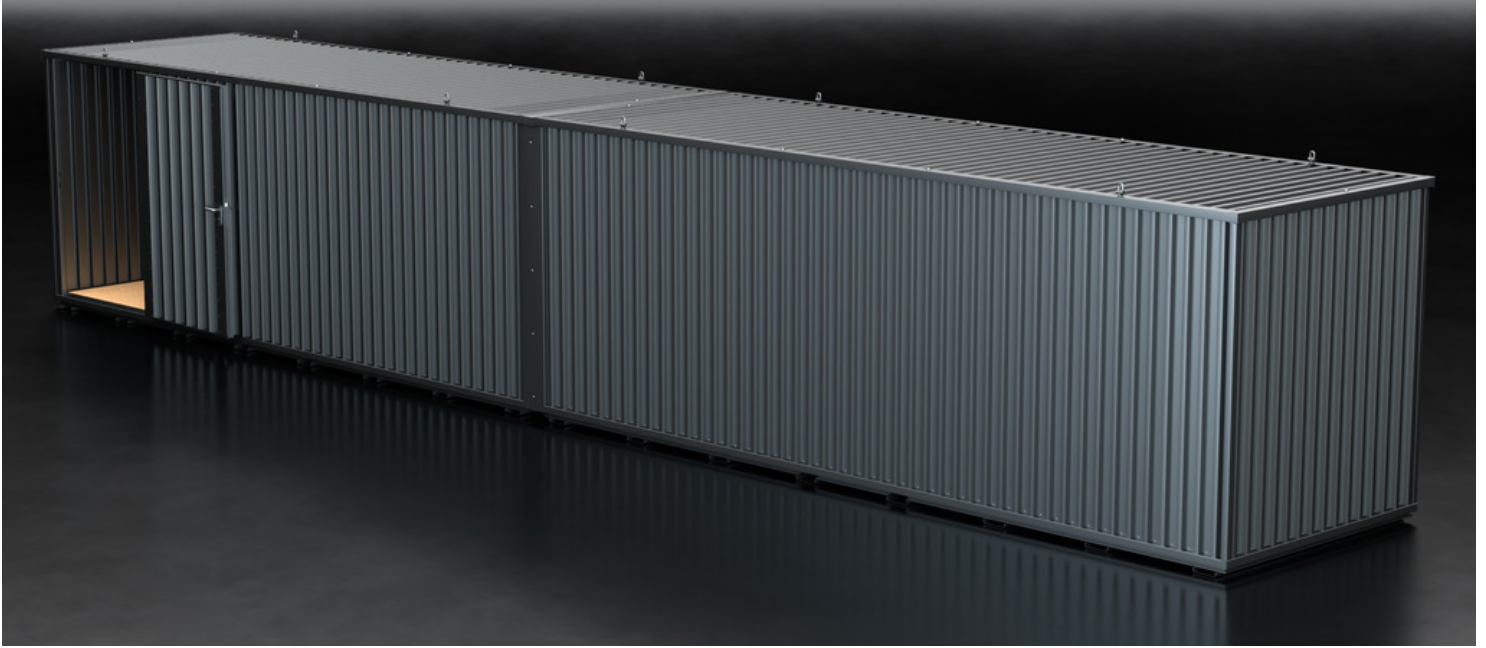


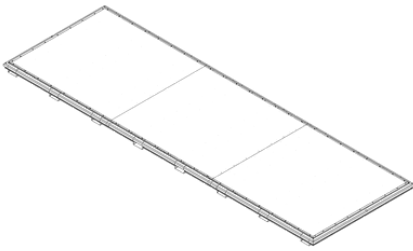
PRODUCT CODE:6060.110.450

prefabase
Quick Build Solutions

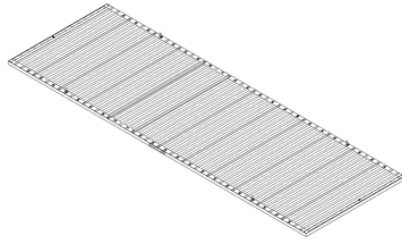
Instructions and User Guide



60.0110
2x



60.0510
2x



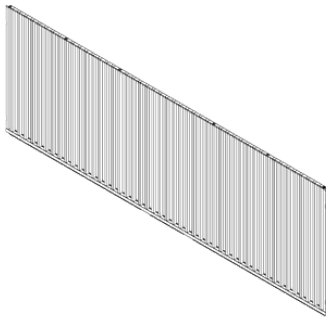
306.0110
1x



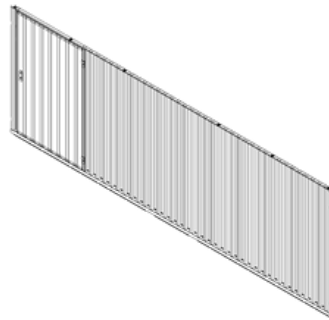
306.0510
1x



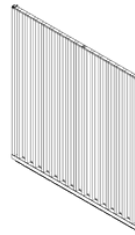
60.0410
3x



60.0450
1x



0310
2x



306.40.05
2x



306.40.04
2x



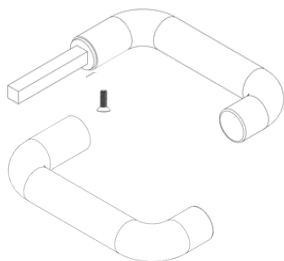
61.101
4x



28x



1x



10x



10x



10x



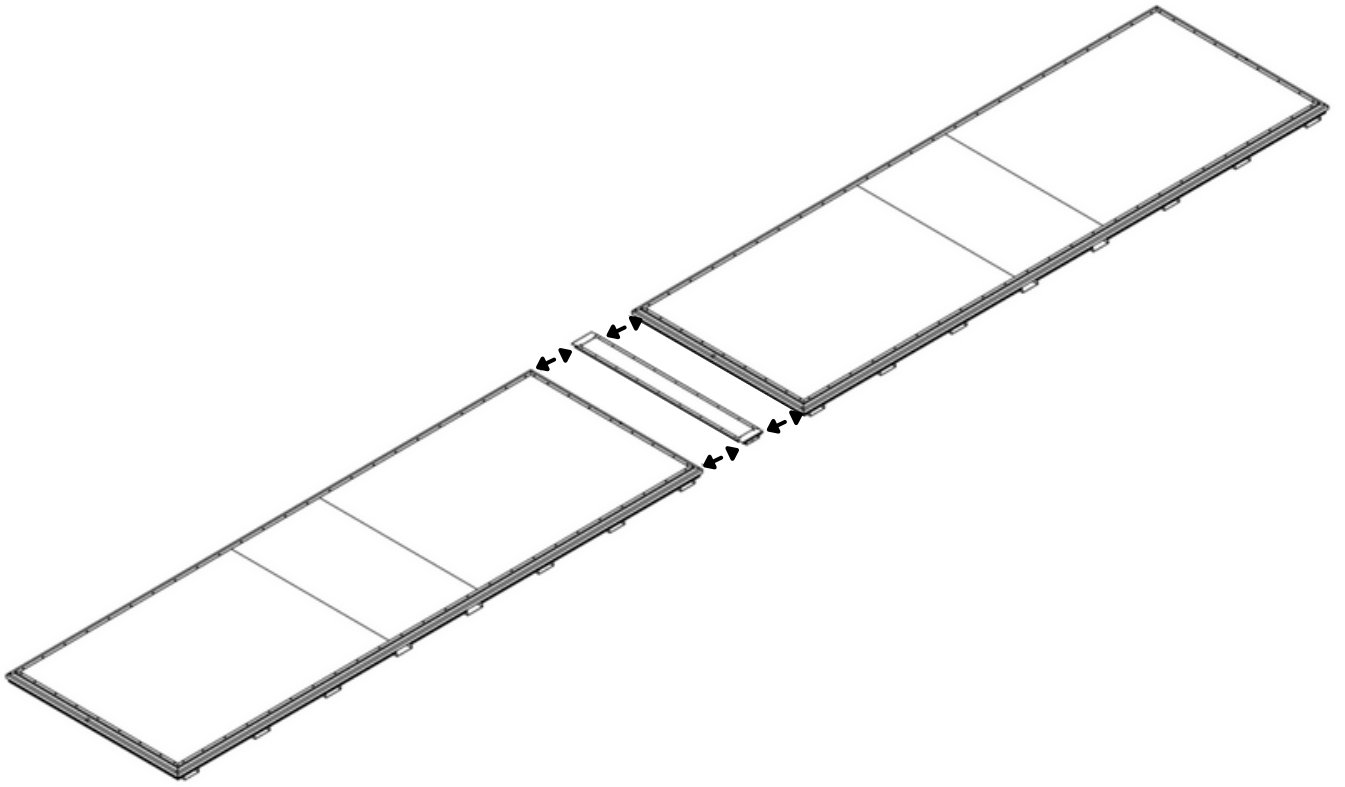
1x



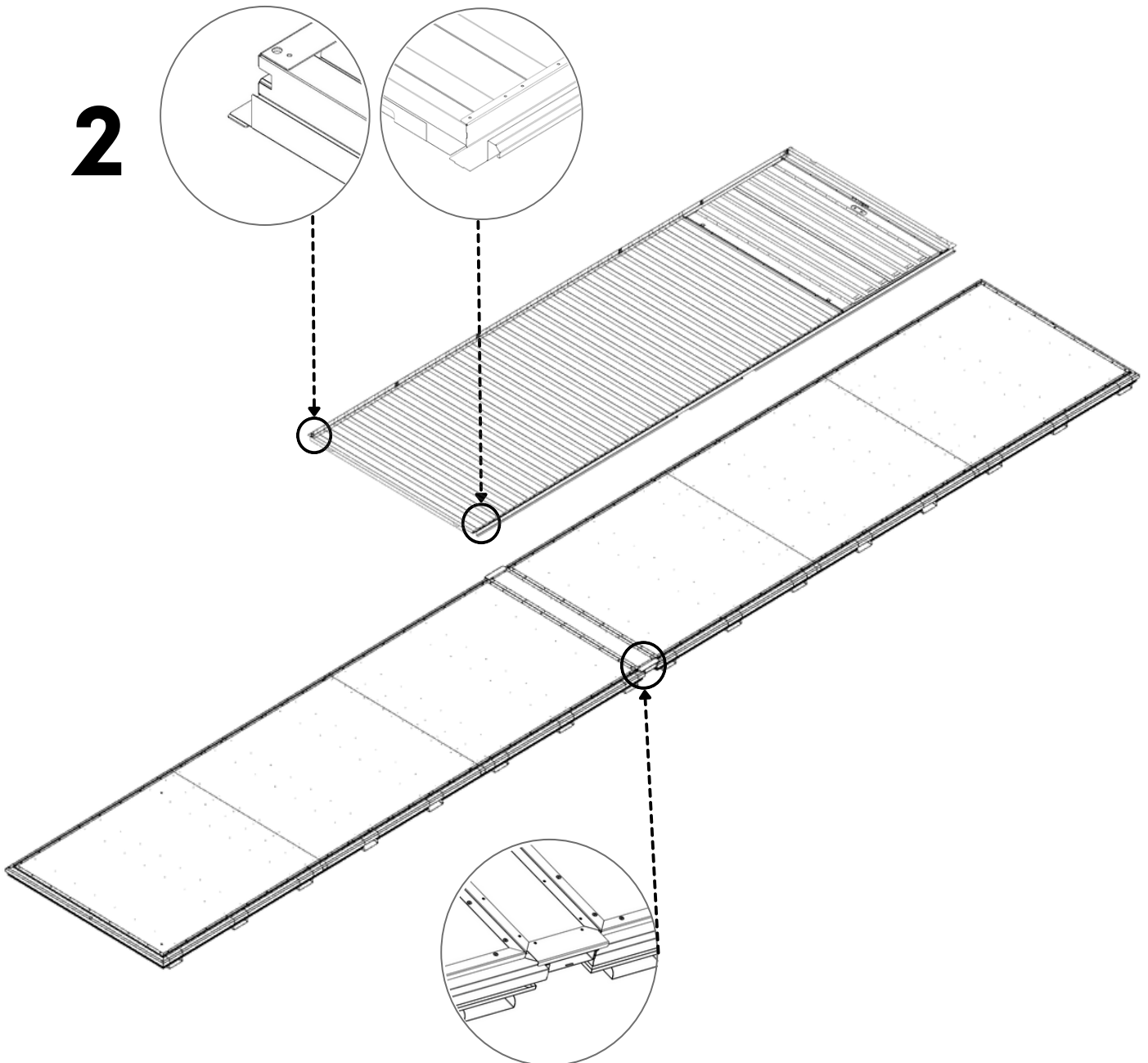
1x

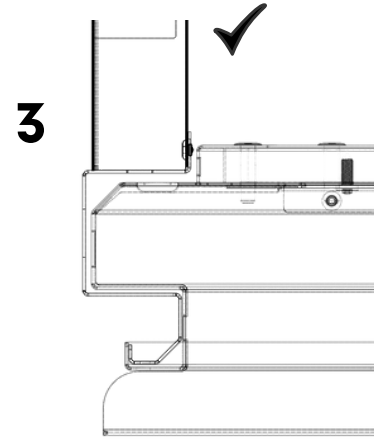
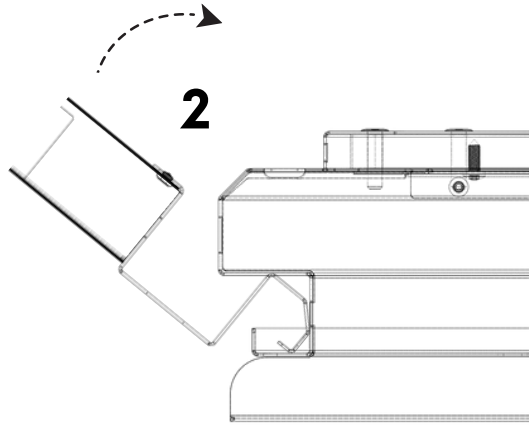
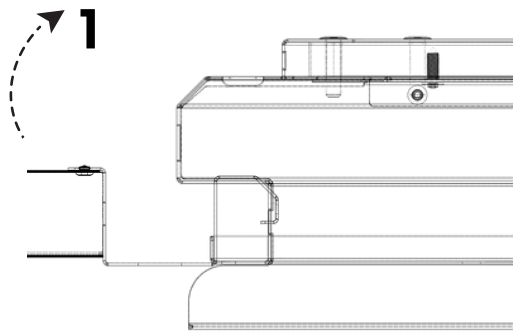


1

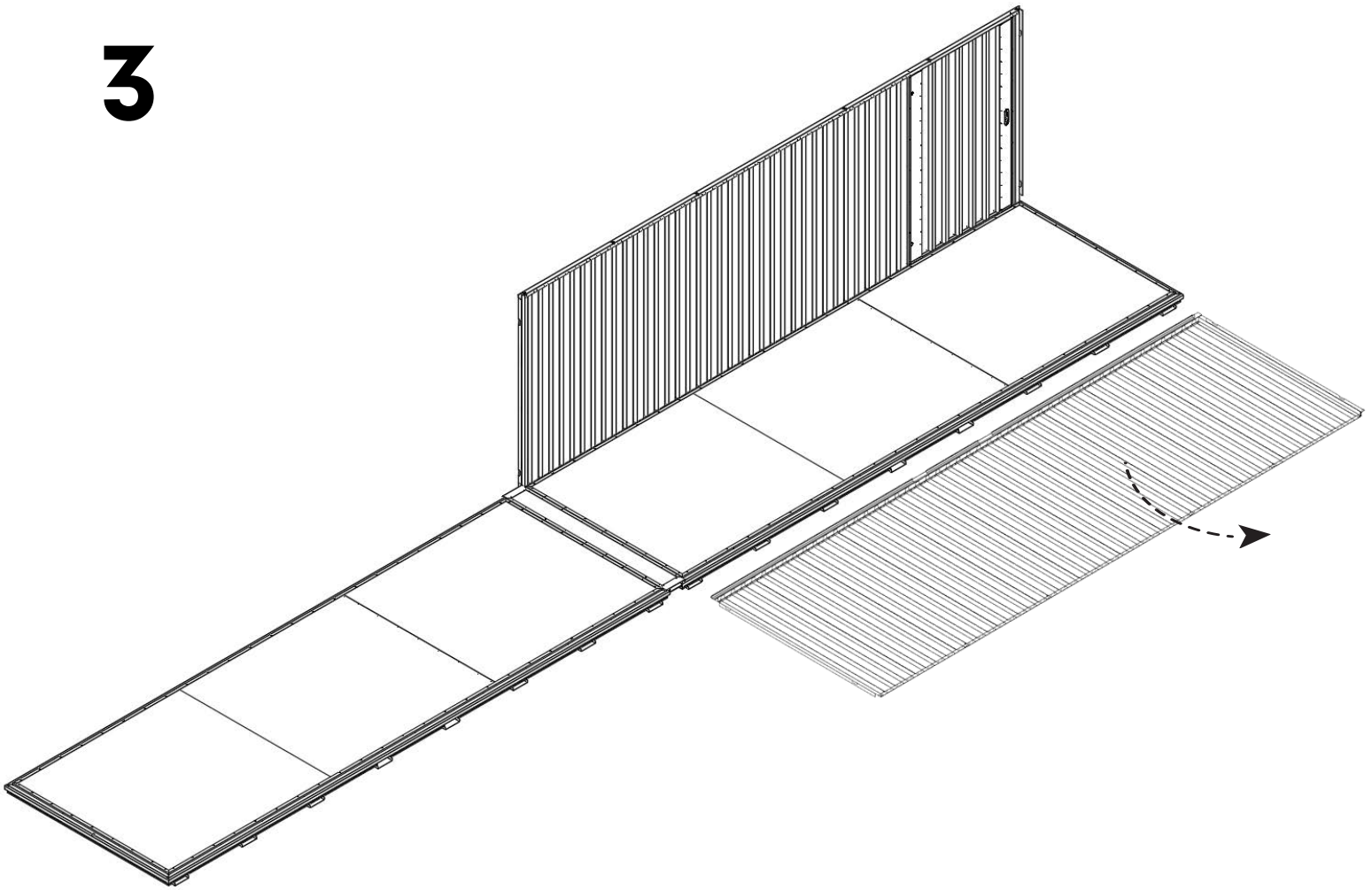


2

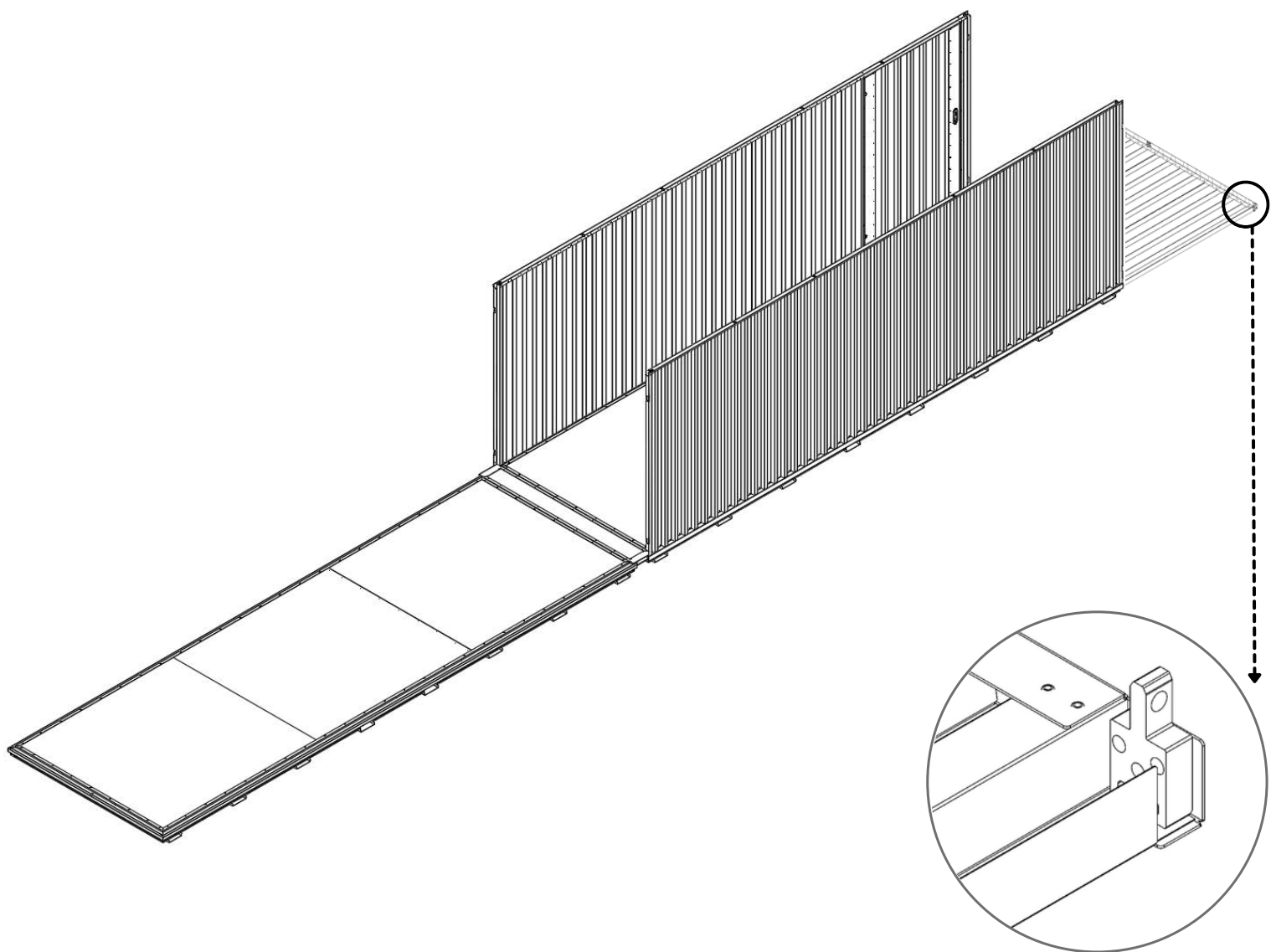




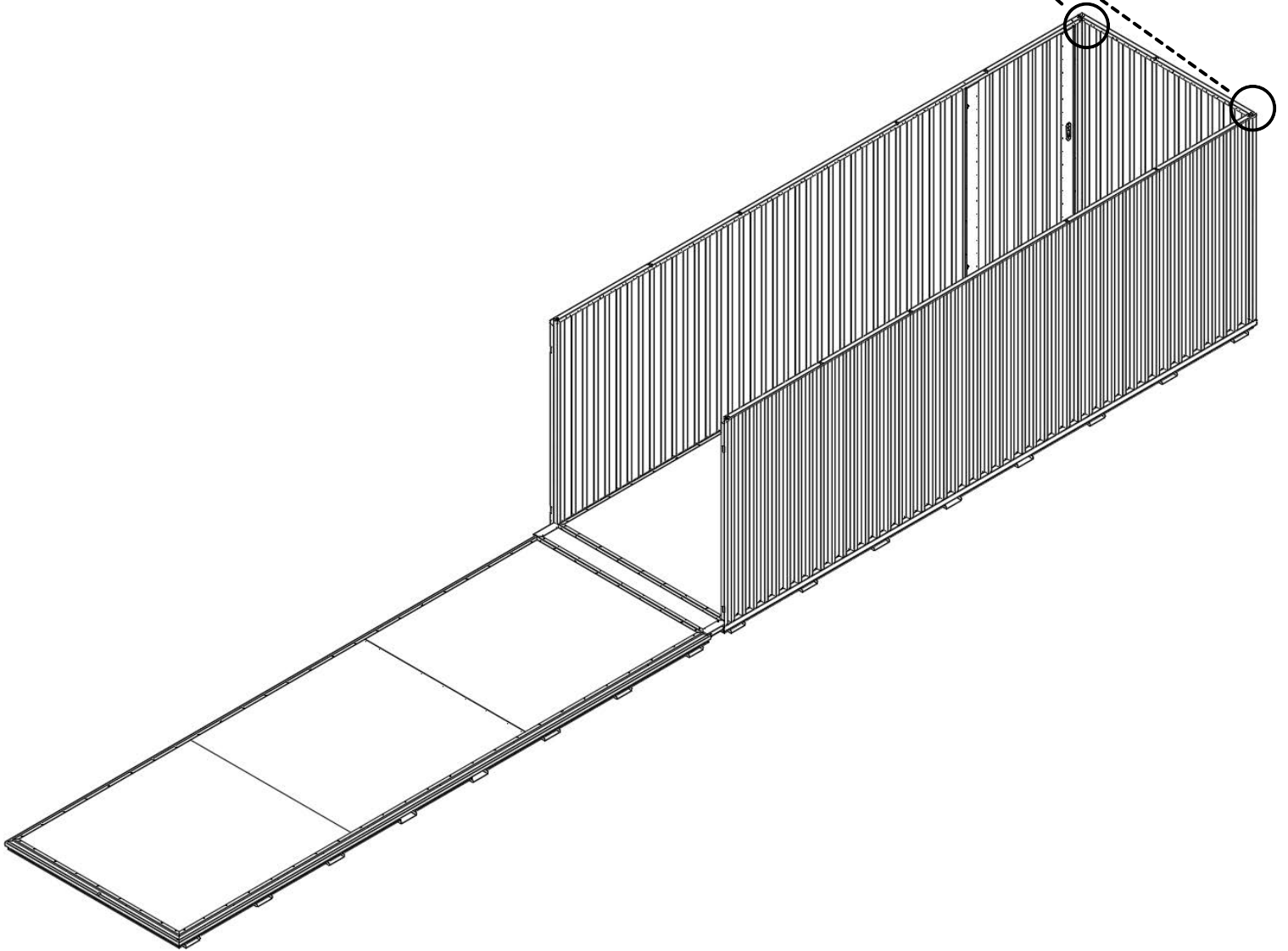
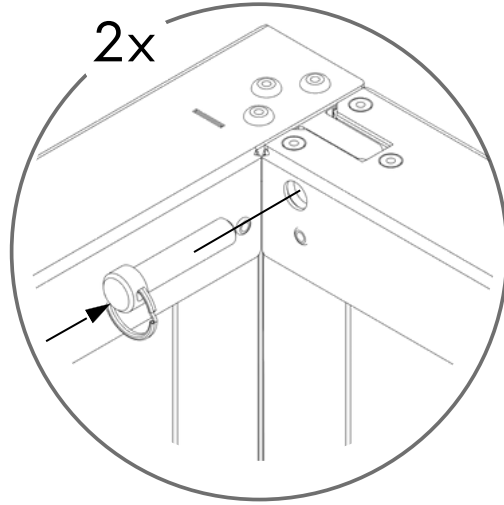
3



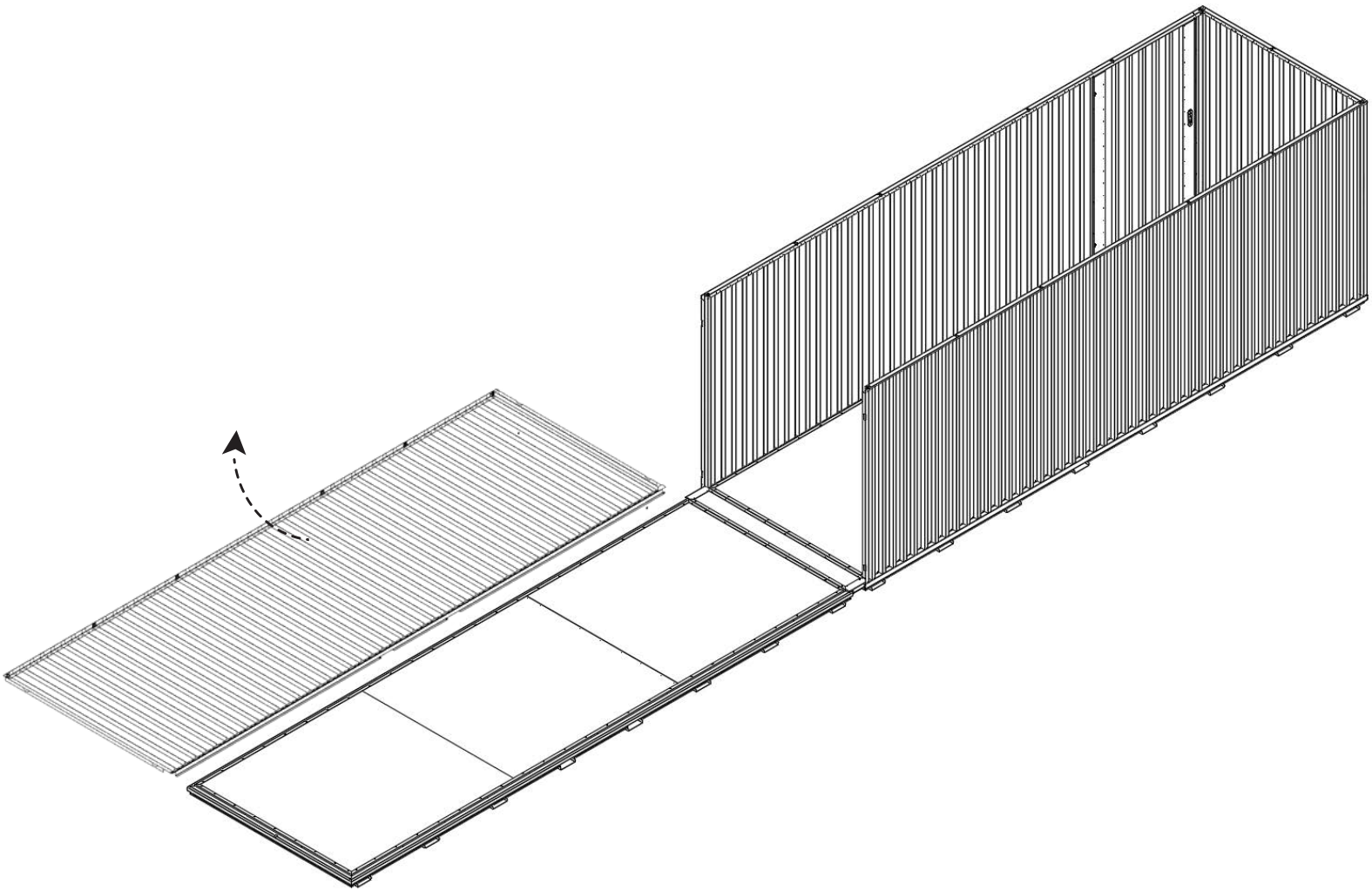
4



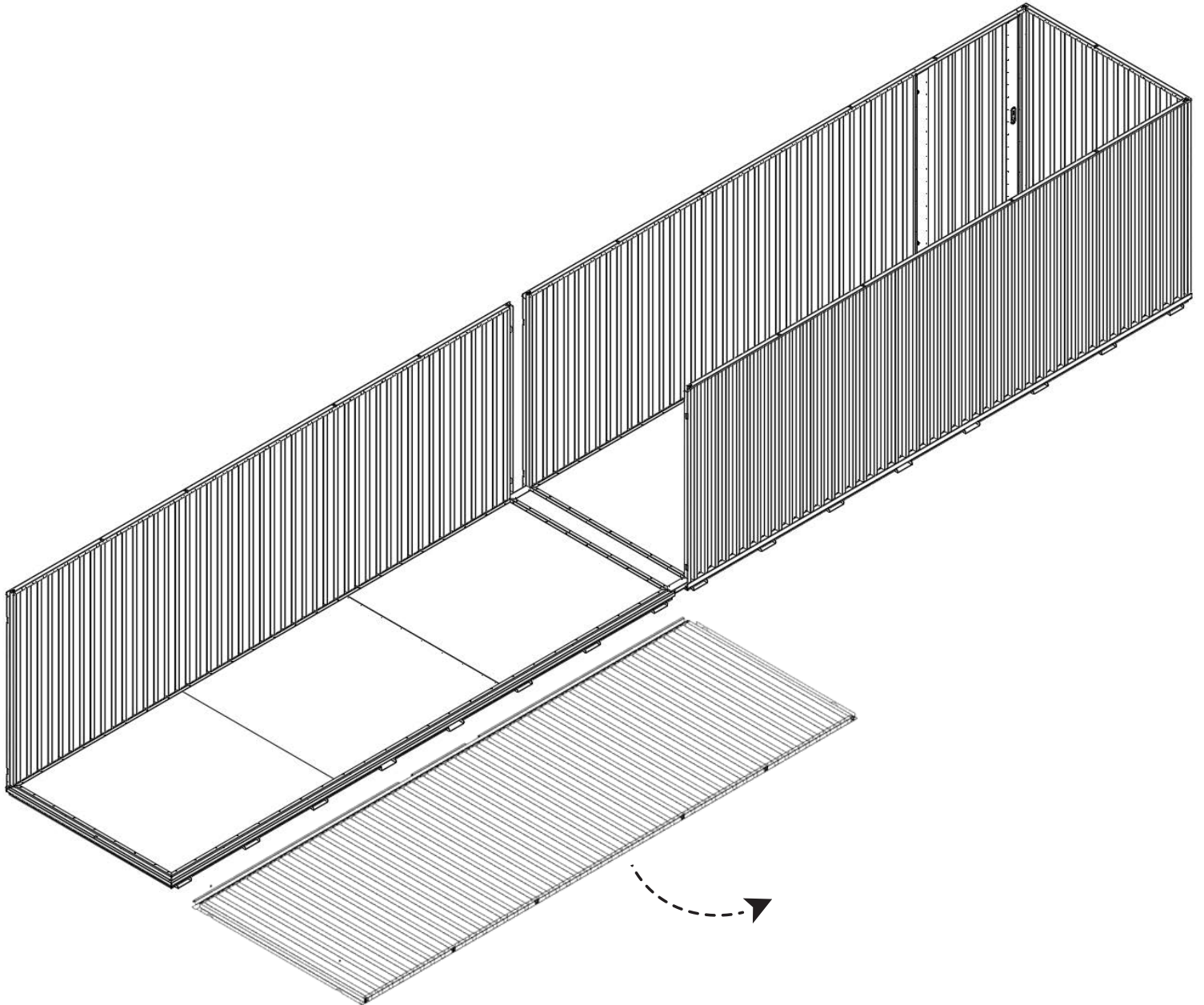
4.1



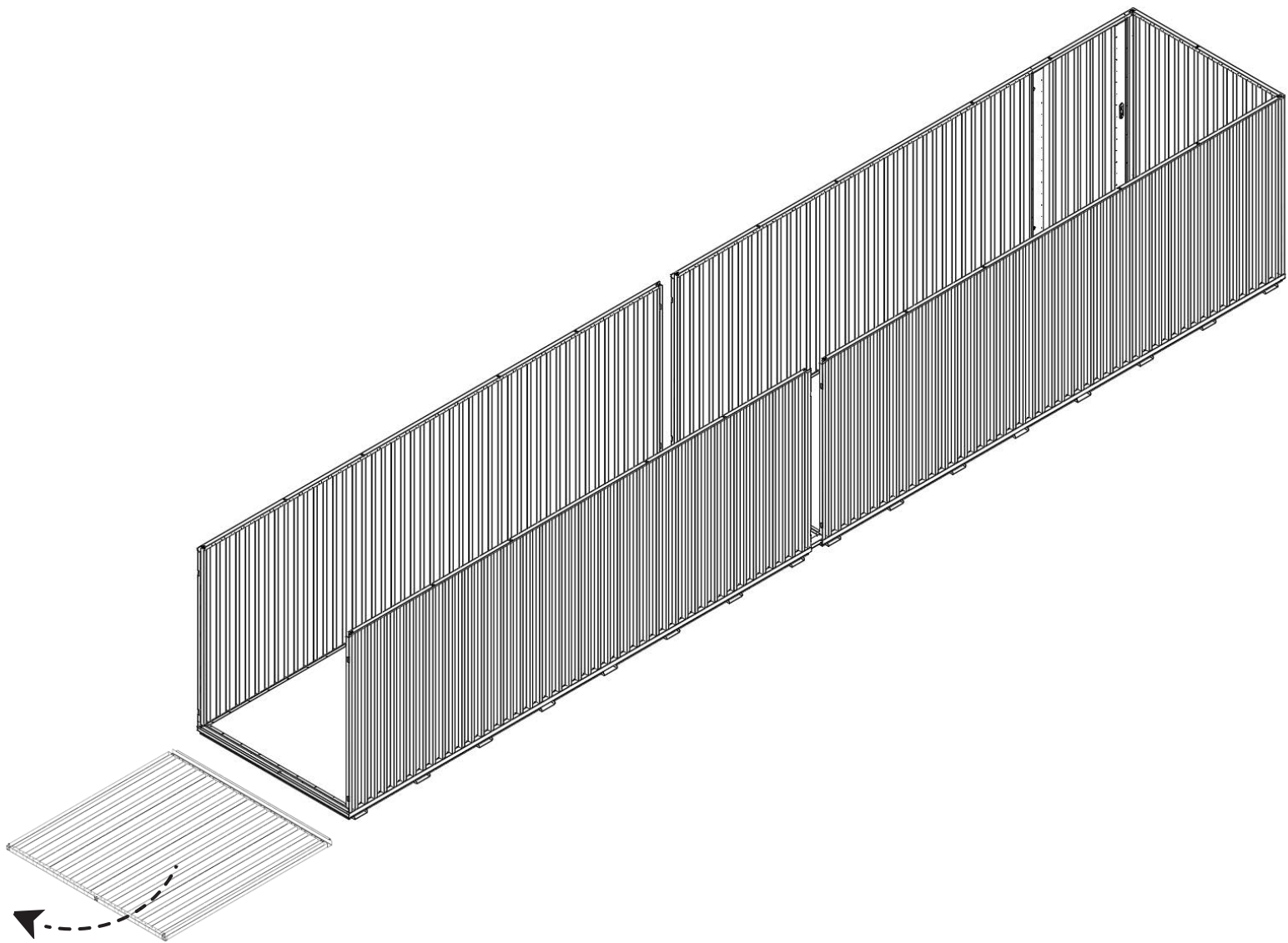
5



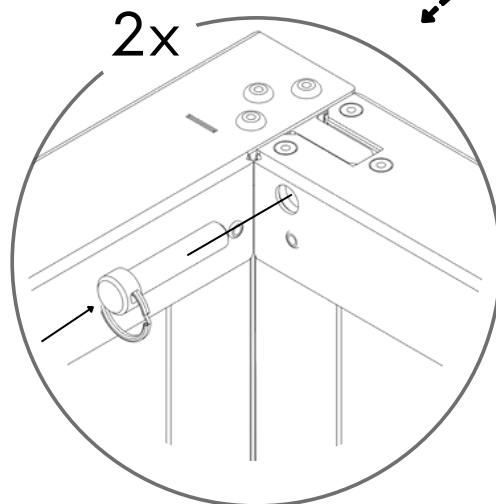
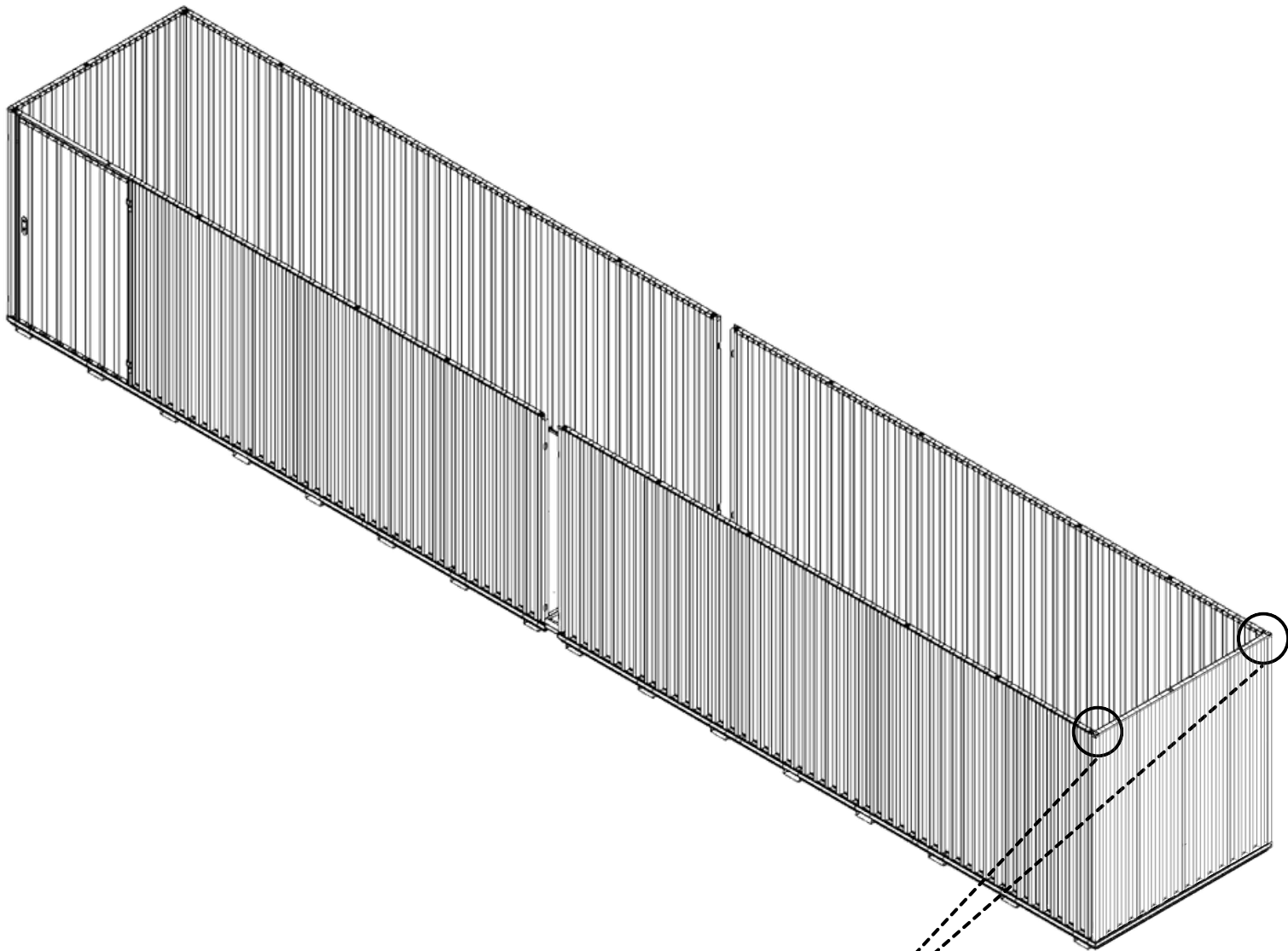
6



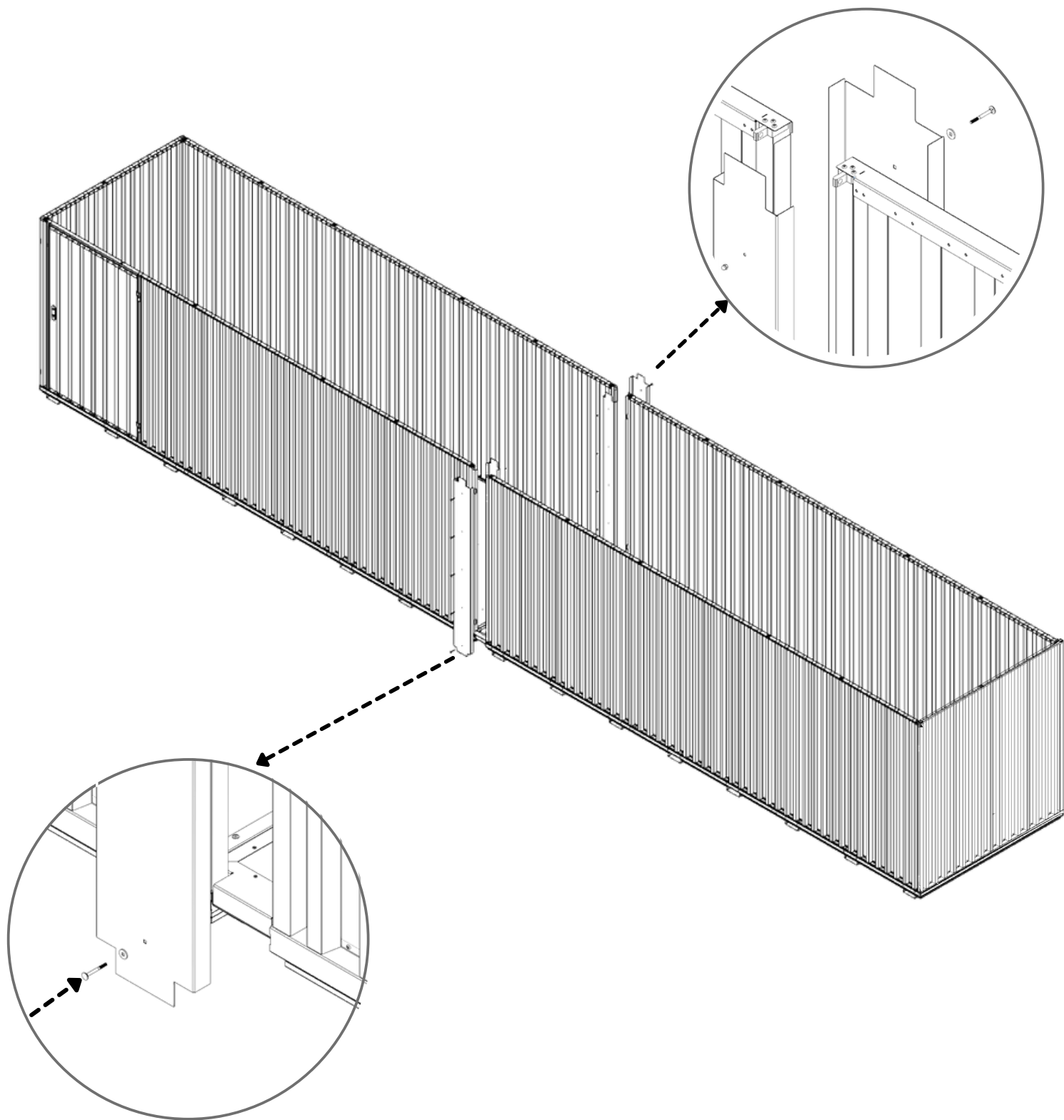
7



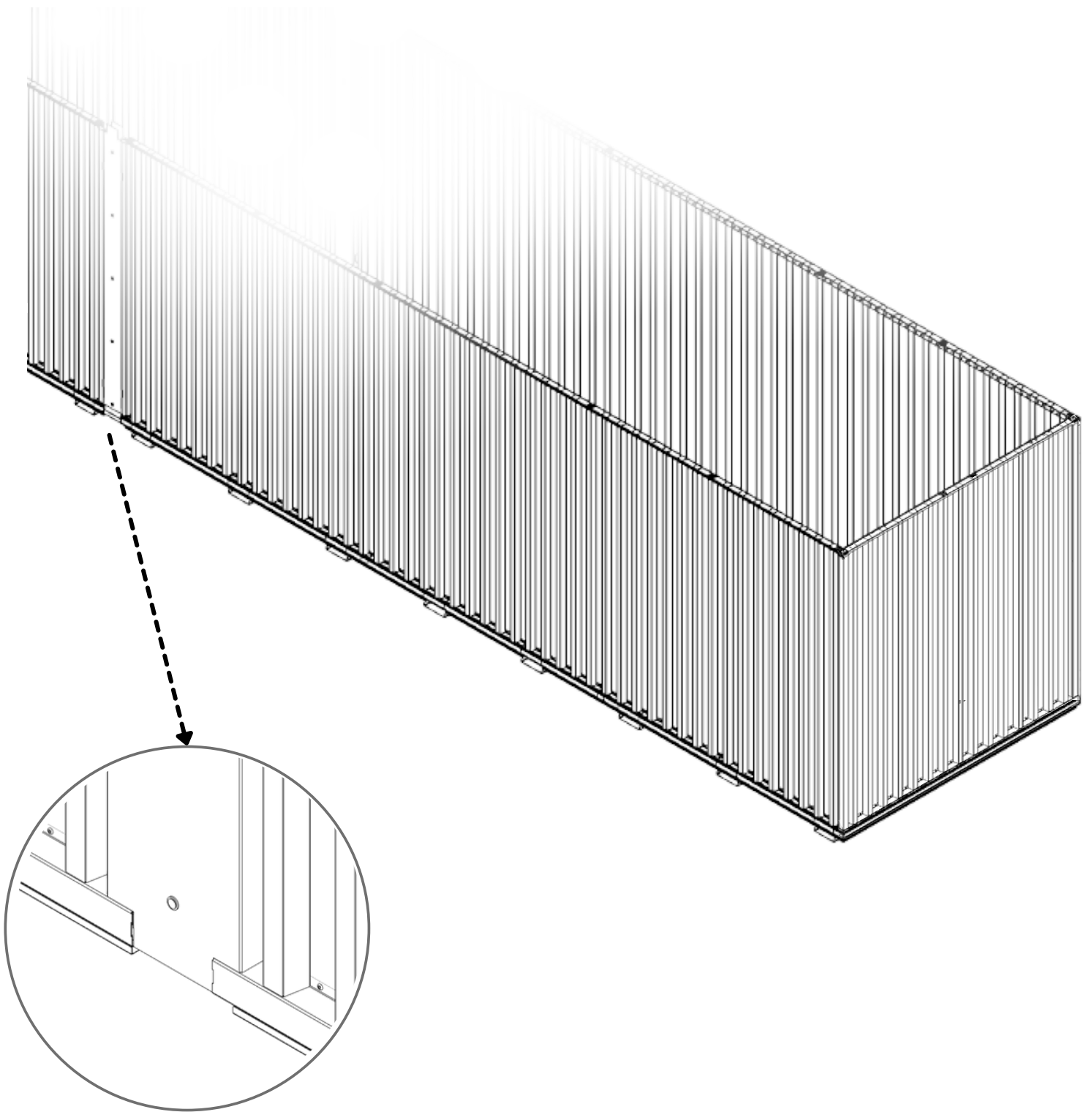
7.1



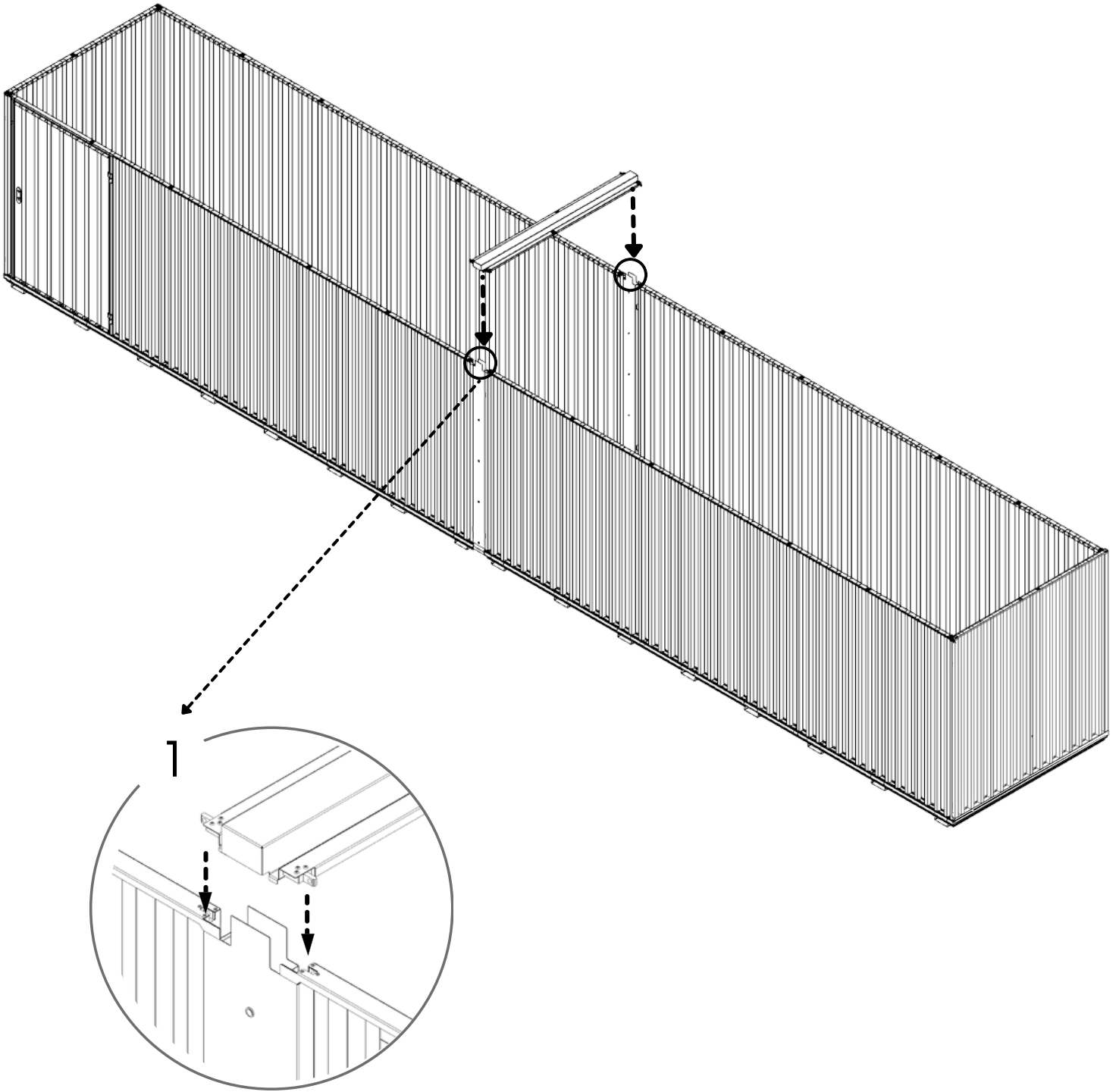
8



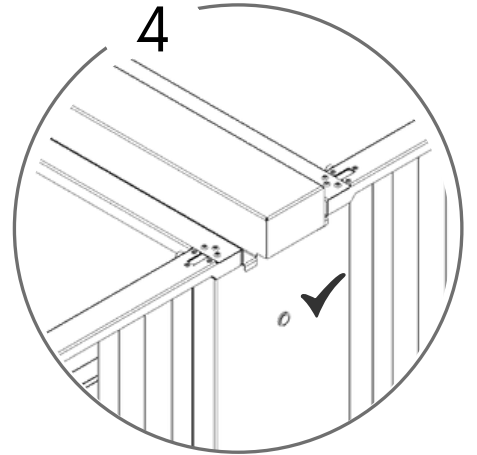
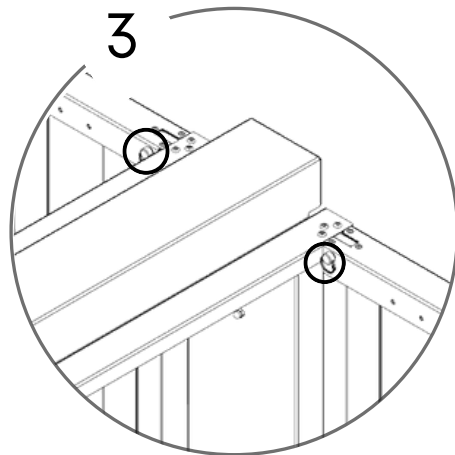
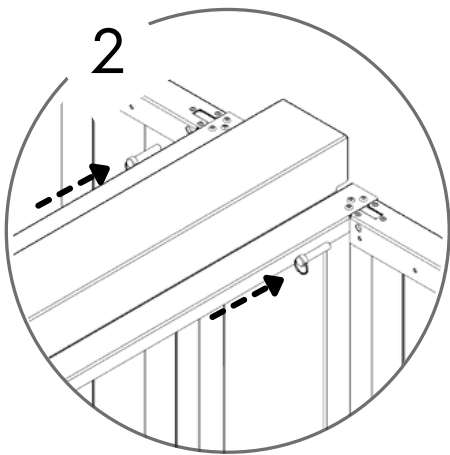
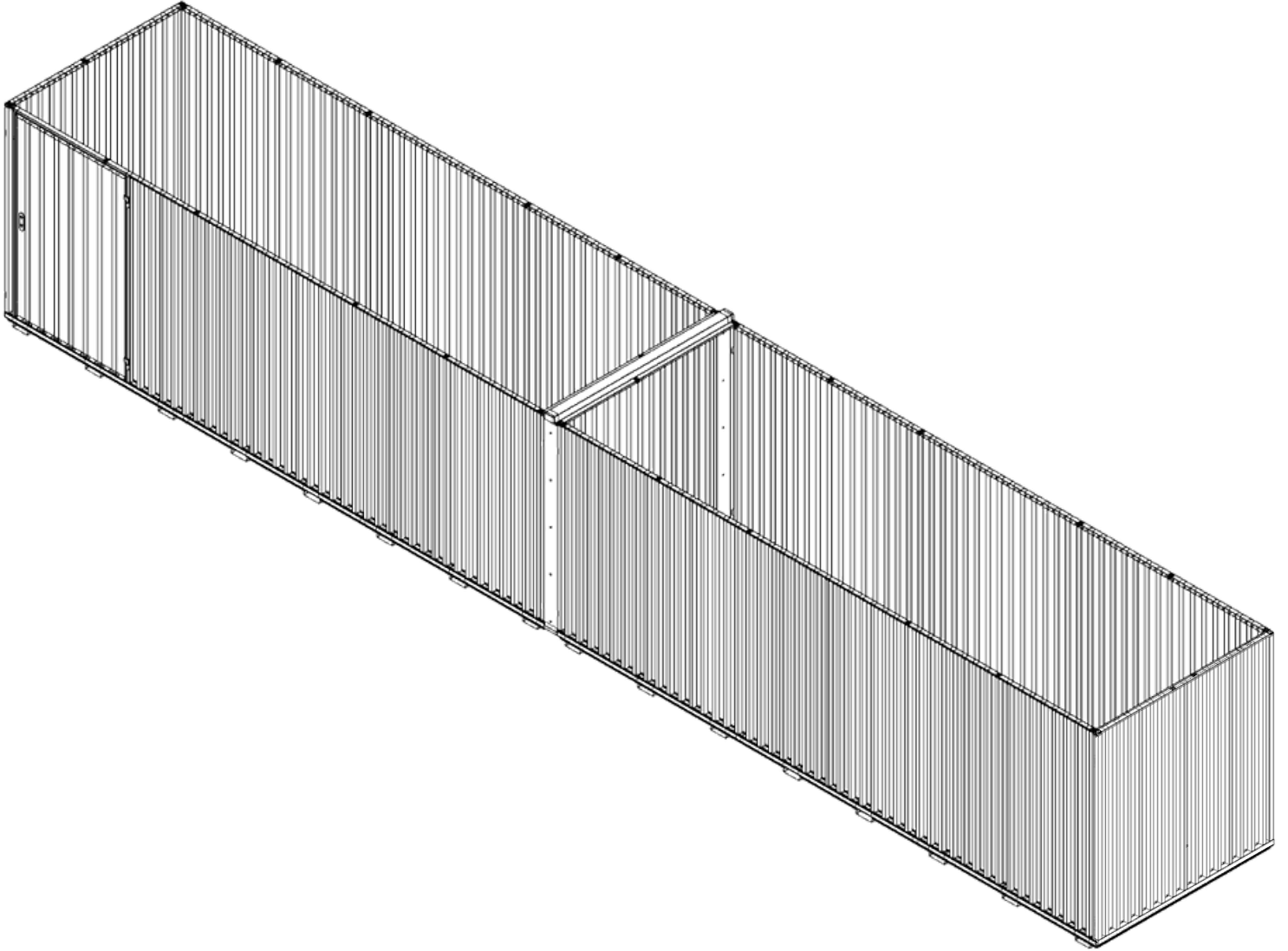
9











10

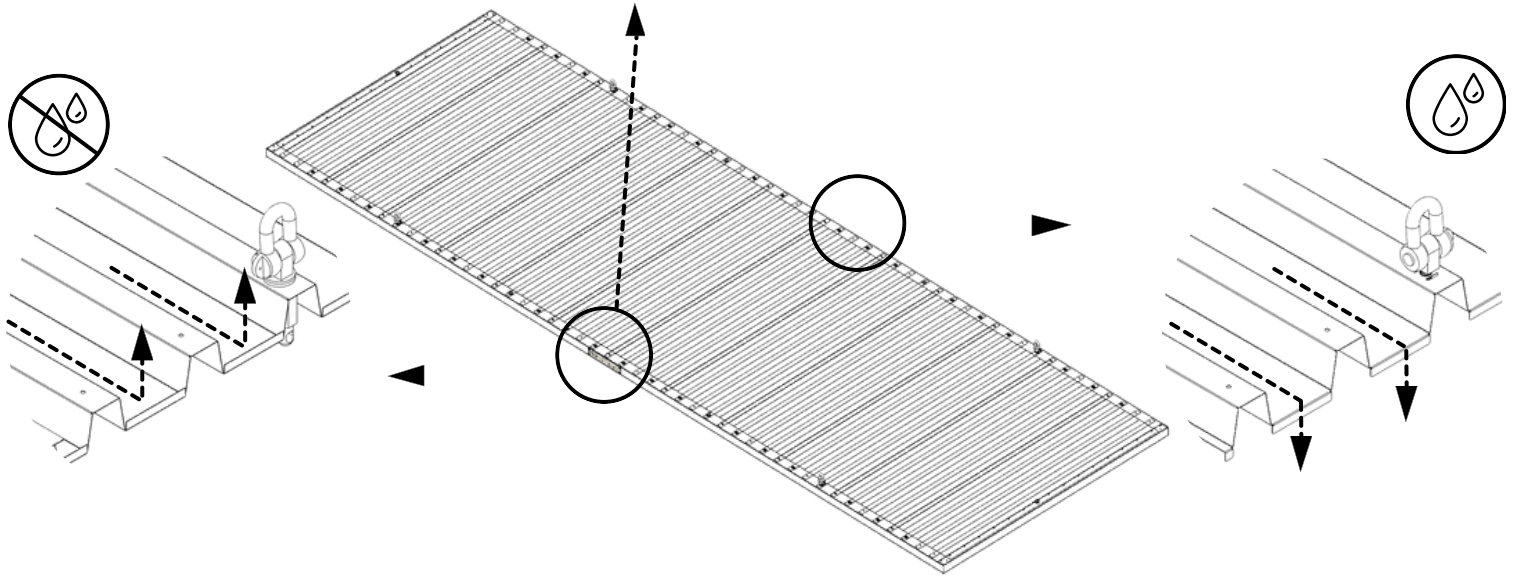


11

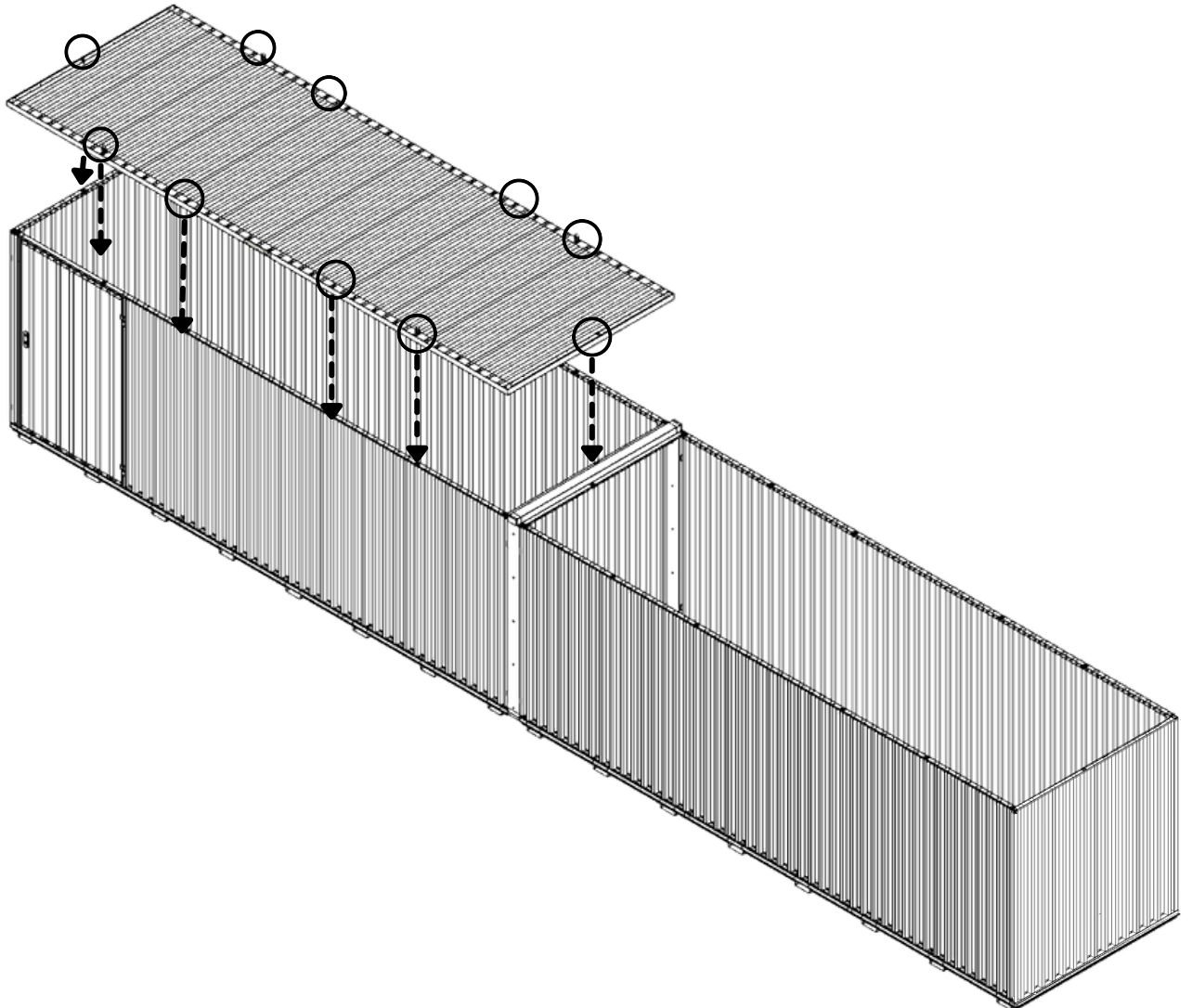




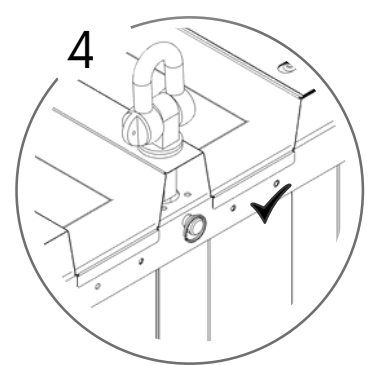
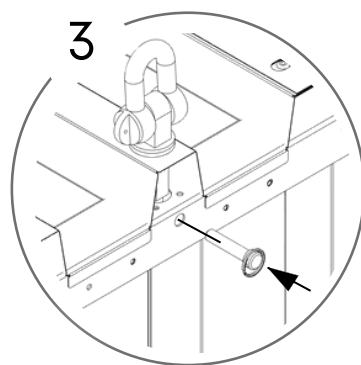
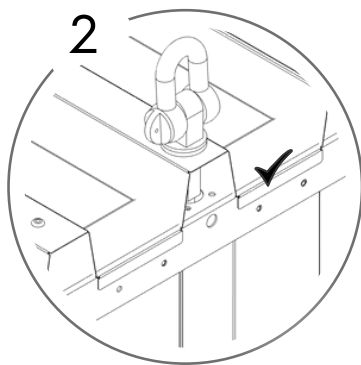
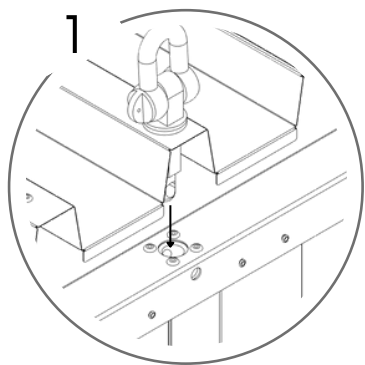
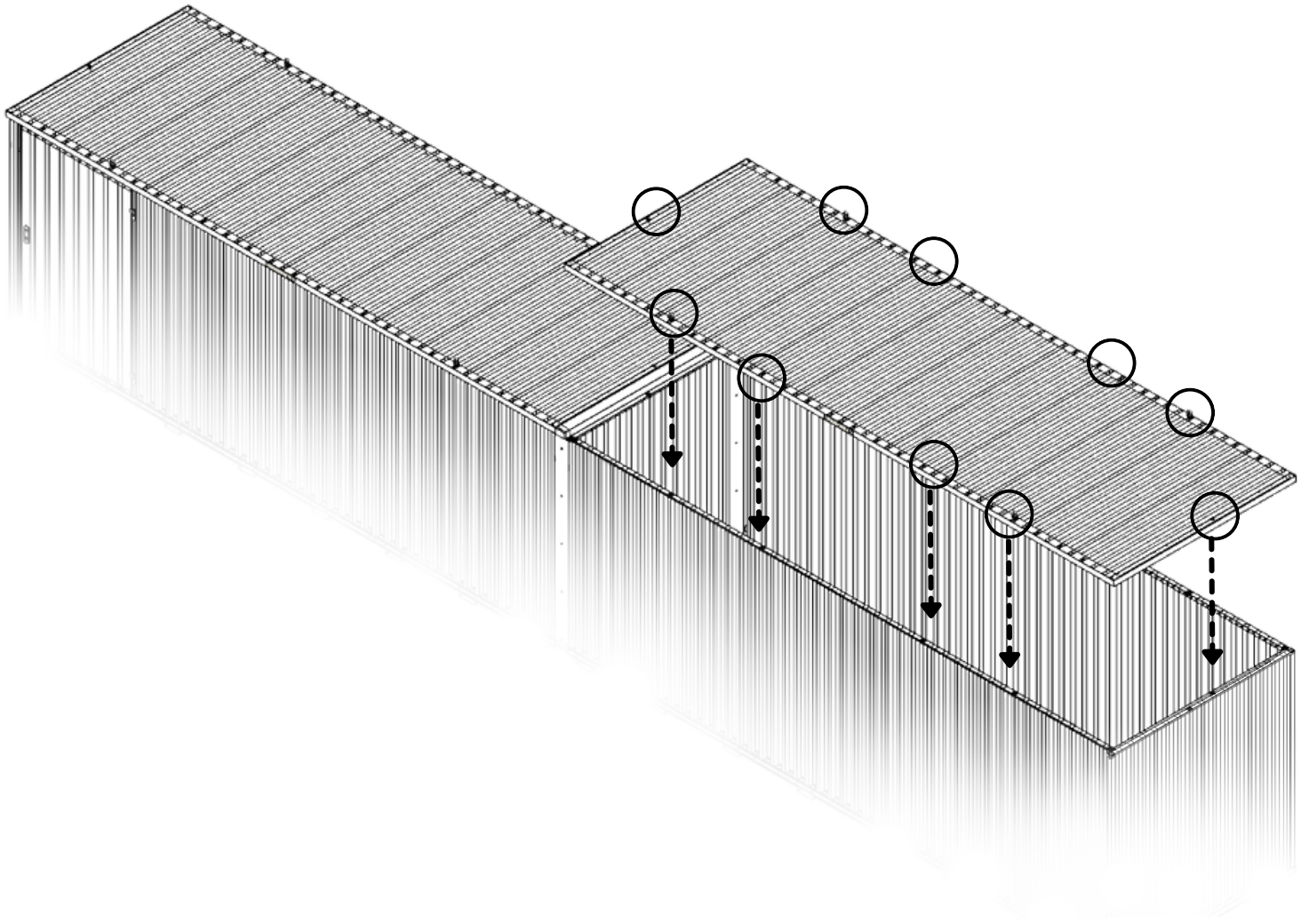
 1112 KG	 1640 MM	Model Code: 6060.110.450 Production Tracking Code:/X09.1.6060.450	 9001	 14001	 50001			
--	--	---	---	--	--	---	---	---



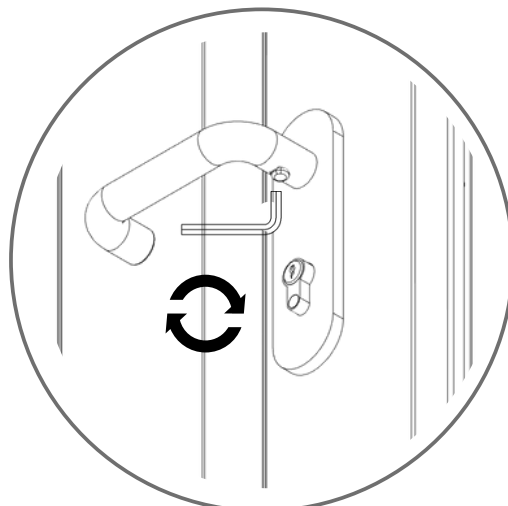
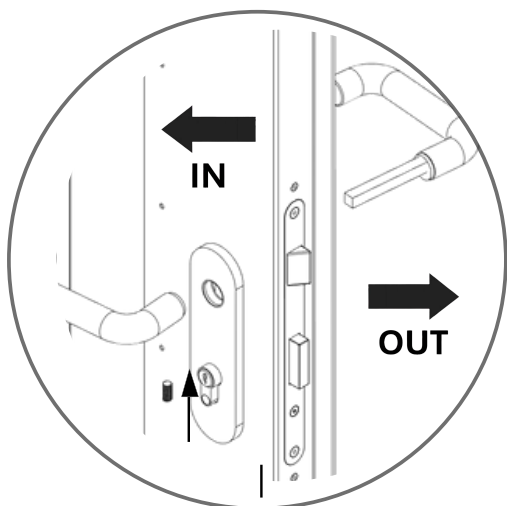
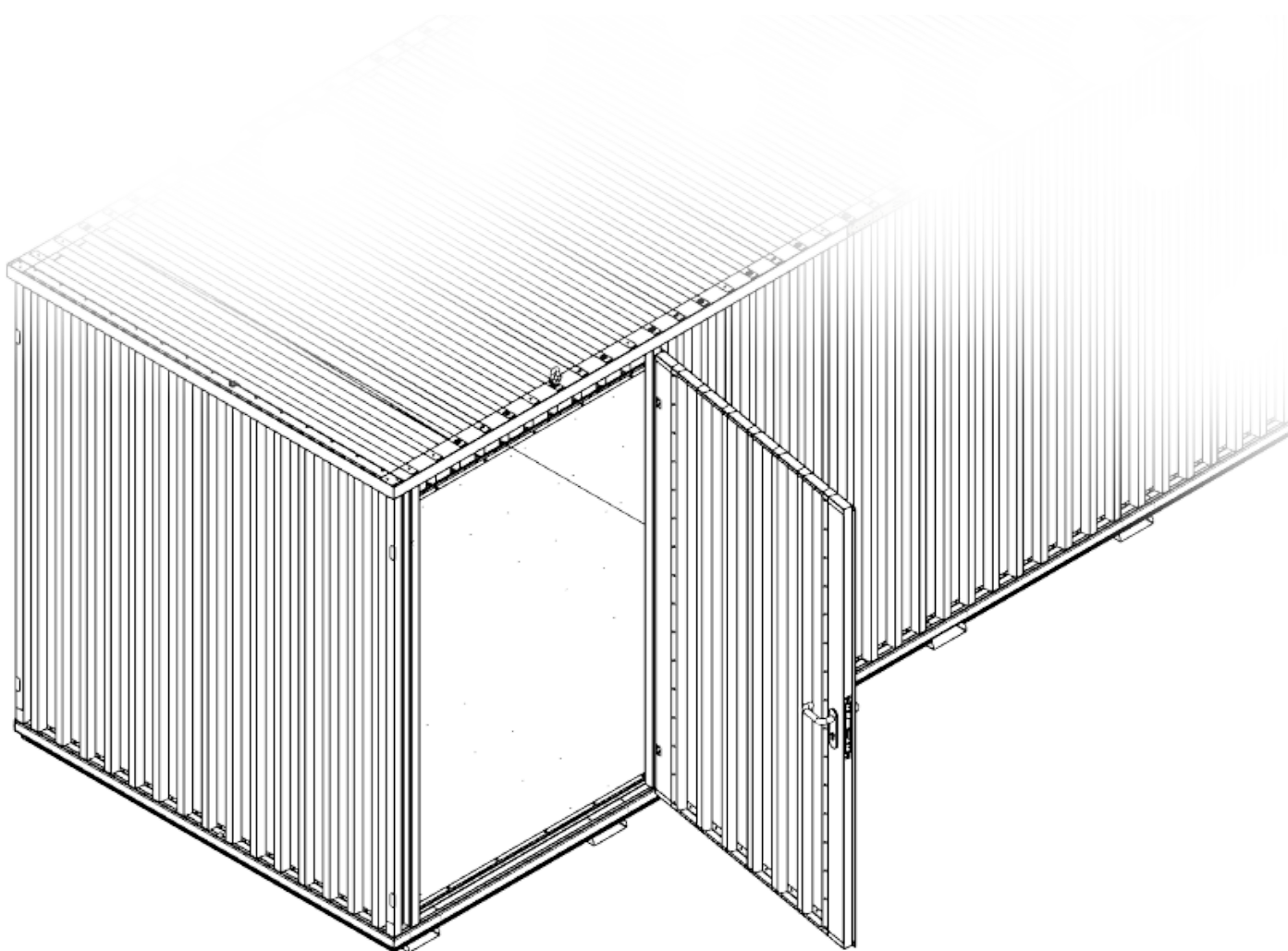
12



13



14



15

