





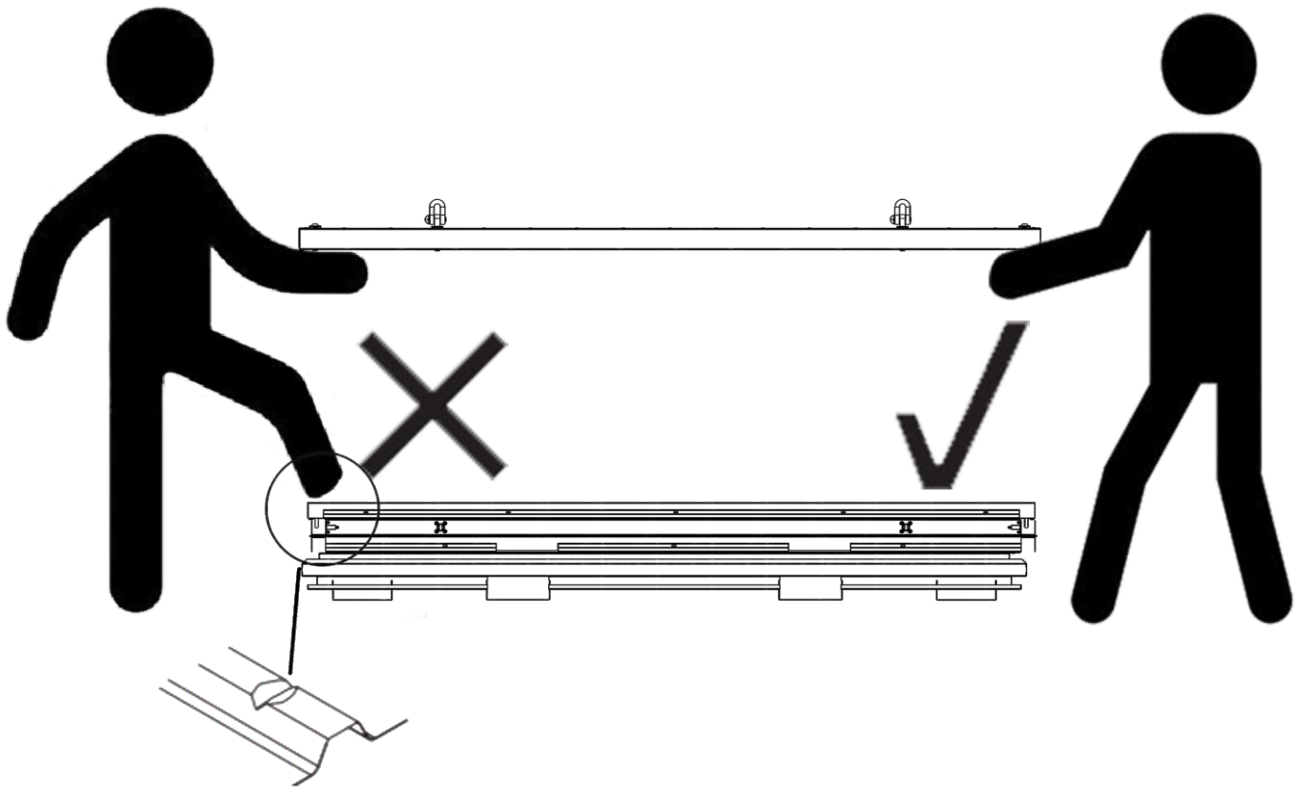
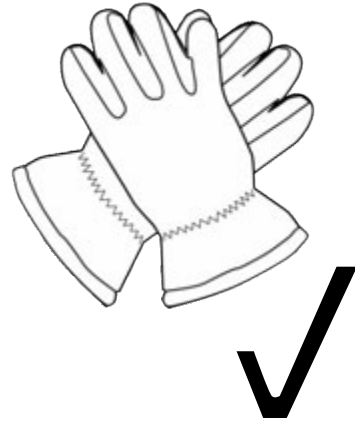


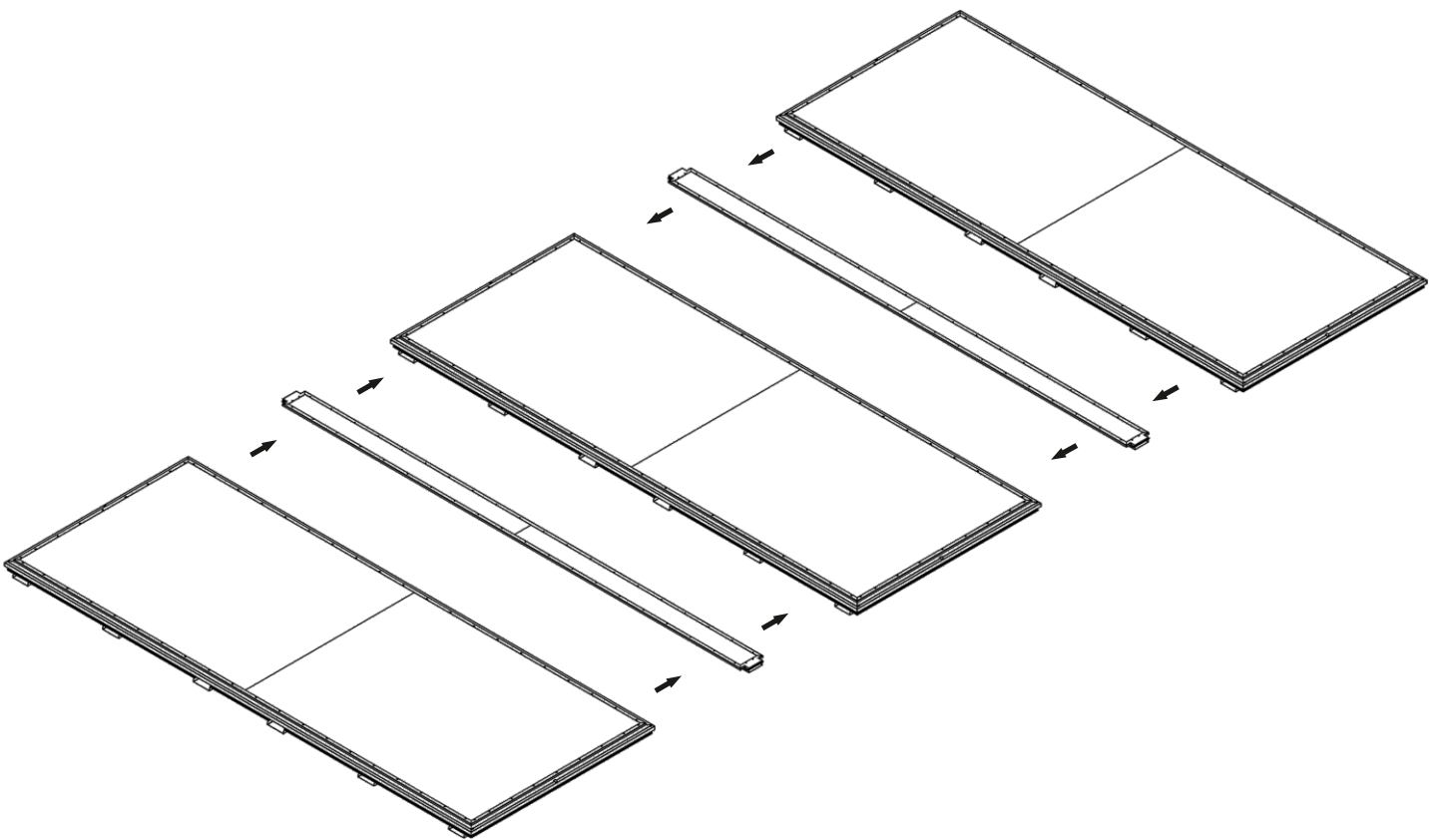
PRODUCT CODE :5055.110.430.450



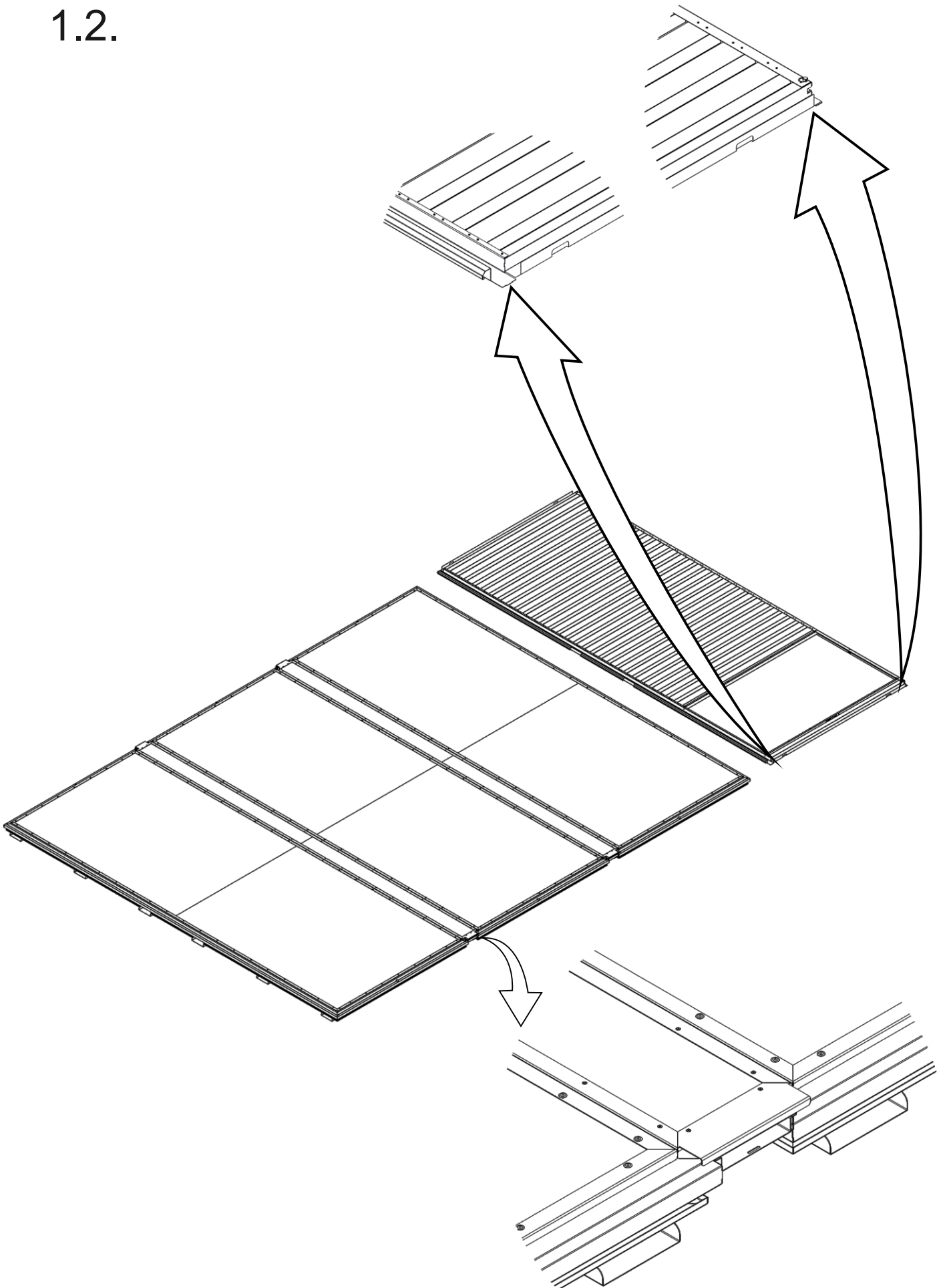
| | |
|---|---------|
|  | 36 pcs. |
|  | 2 pcs. |
|  | 2 pcs. |
|  | 20 pcs. |
|  | 20 pcs. |
|  | 20 pcs. |



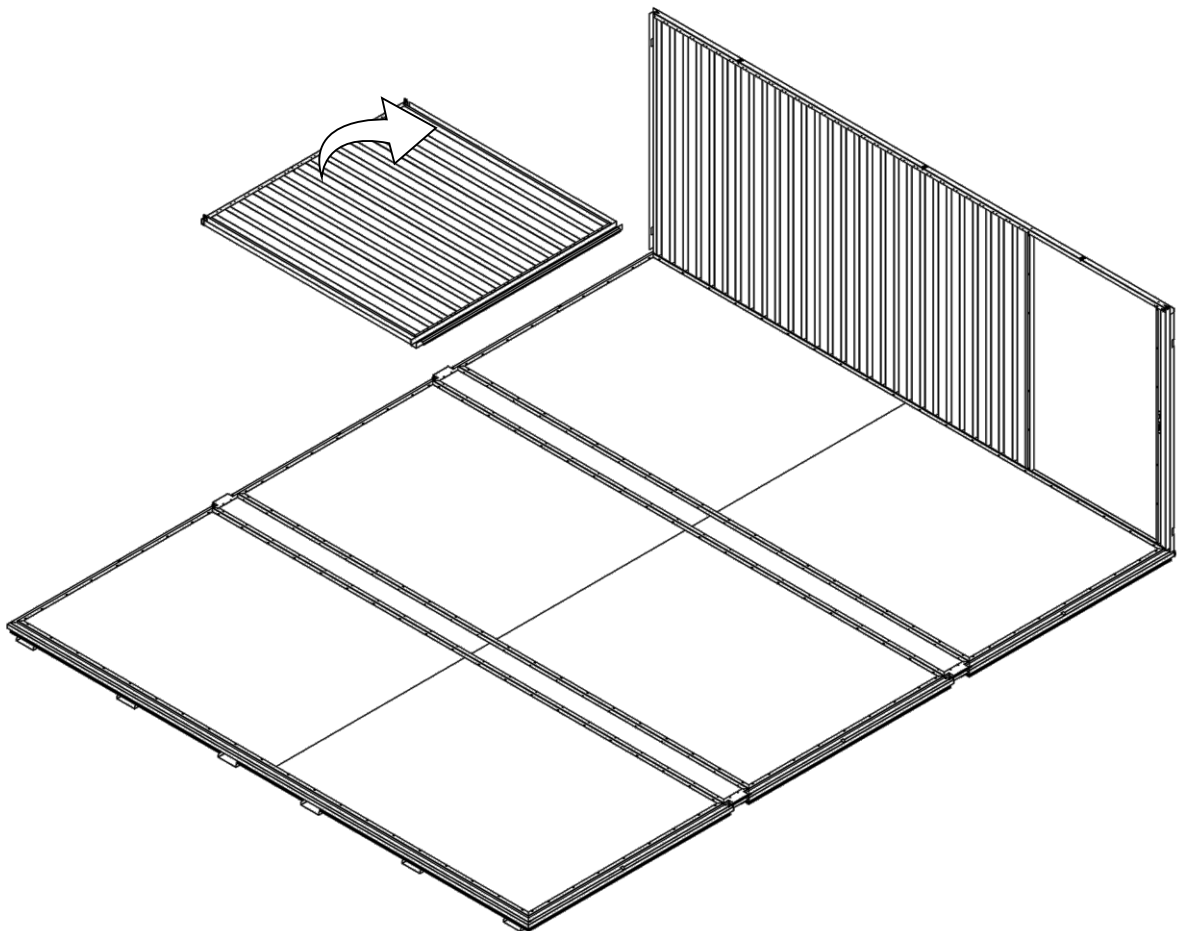
1.1.



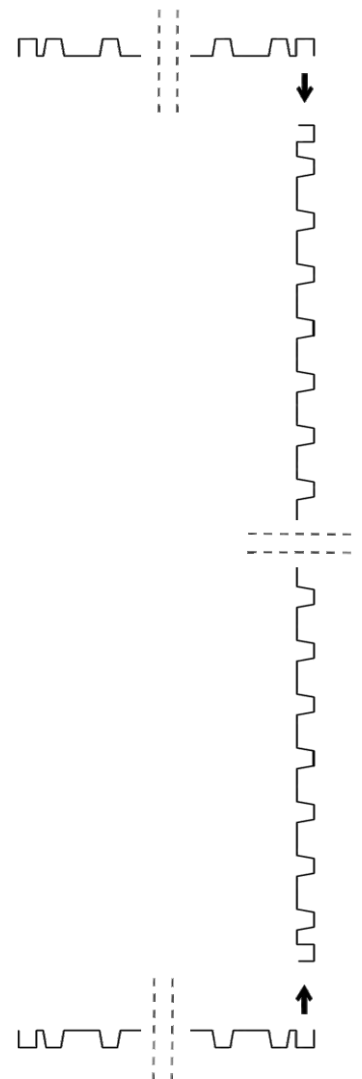
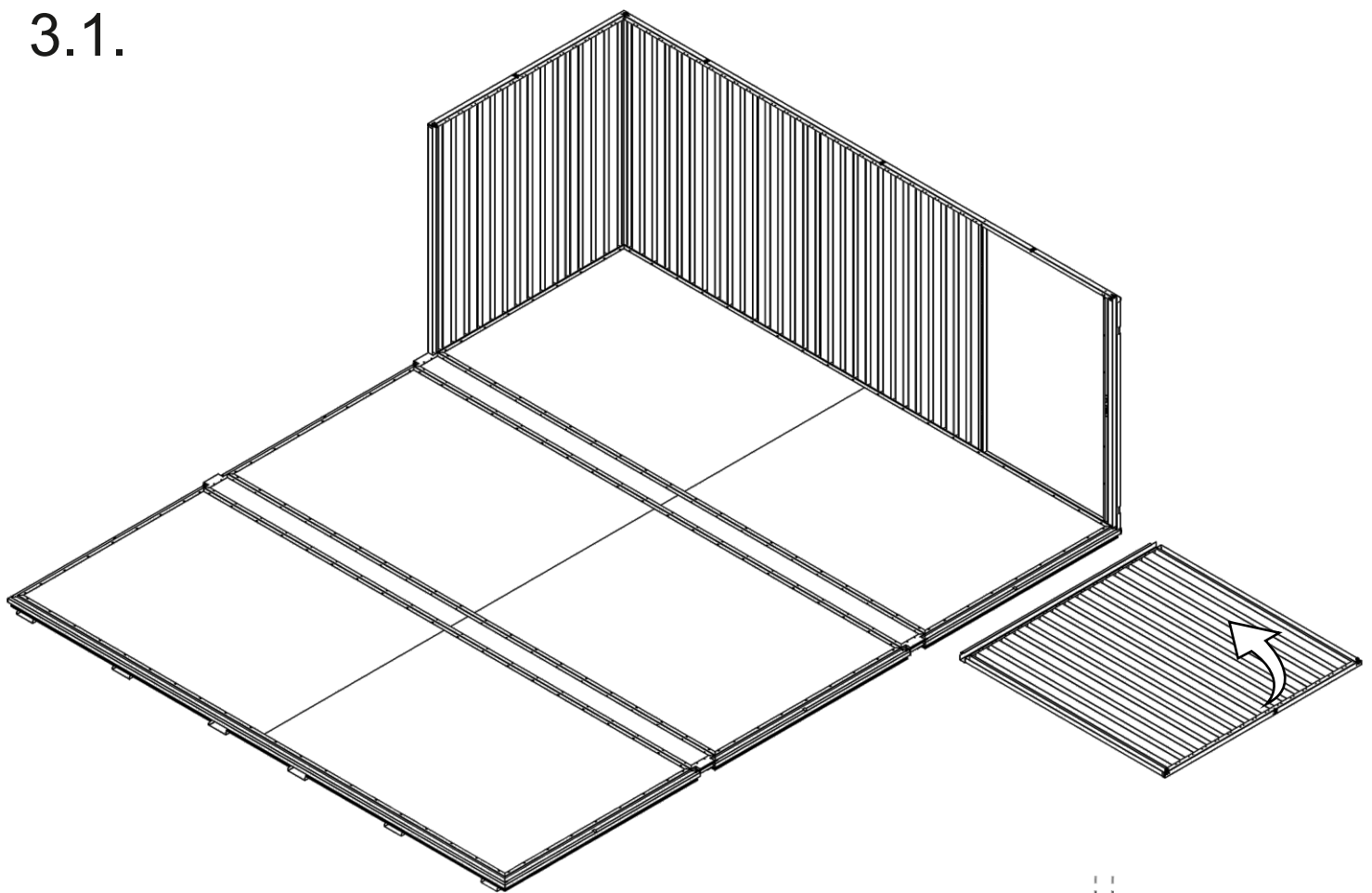
1.2.

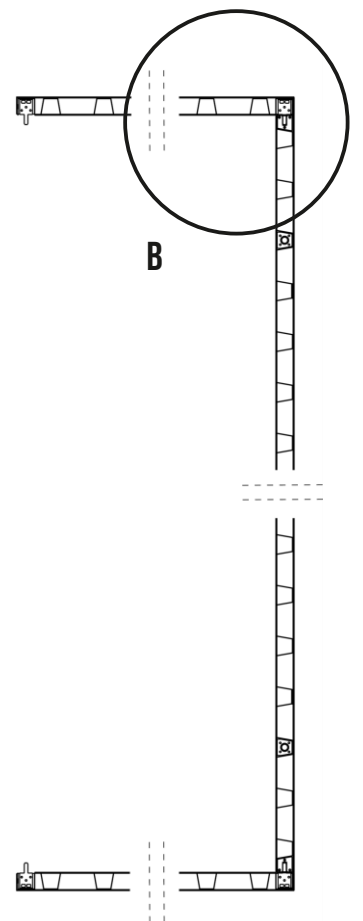
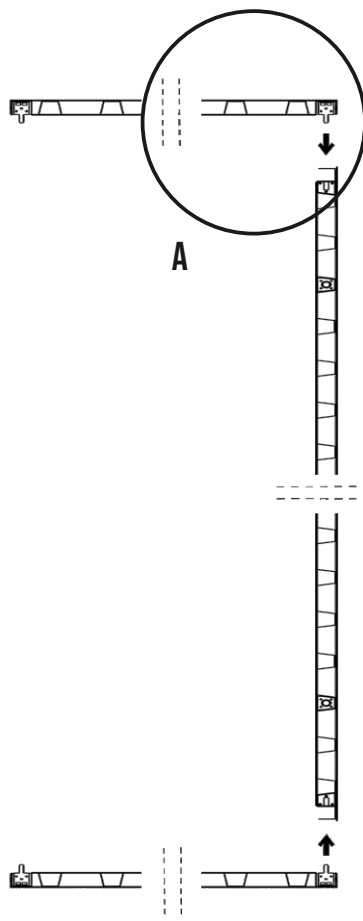
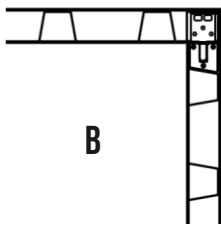
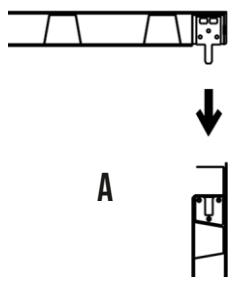


2.1.

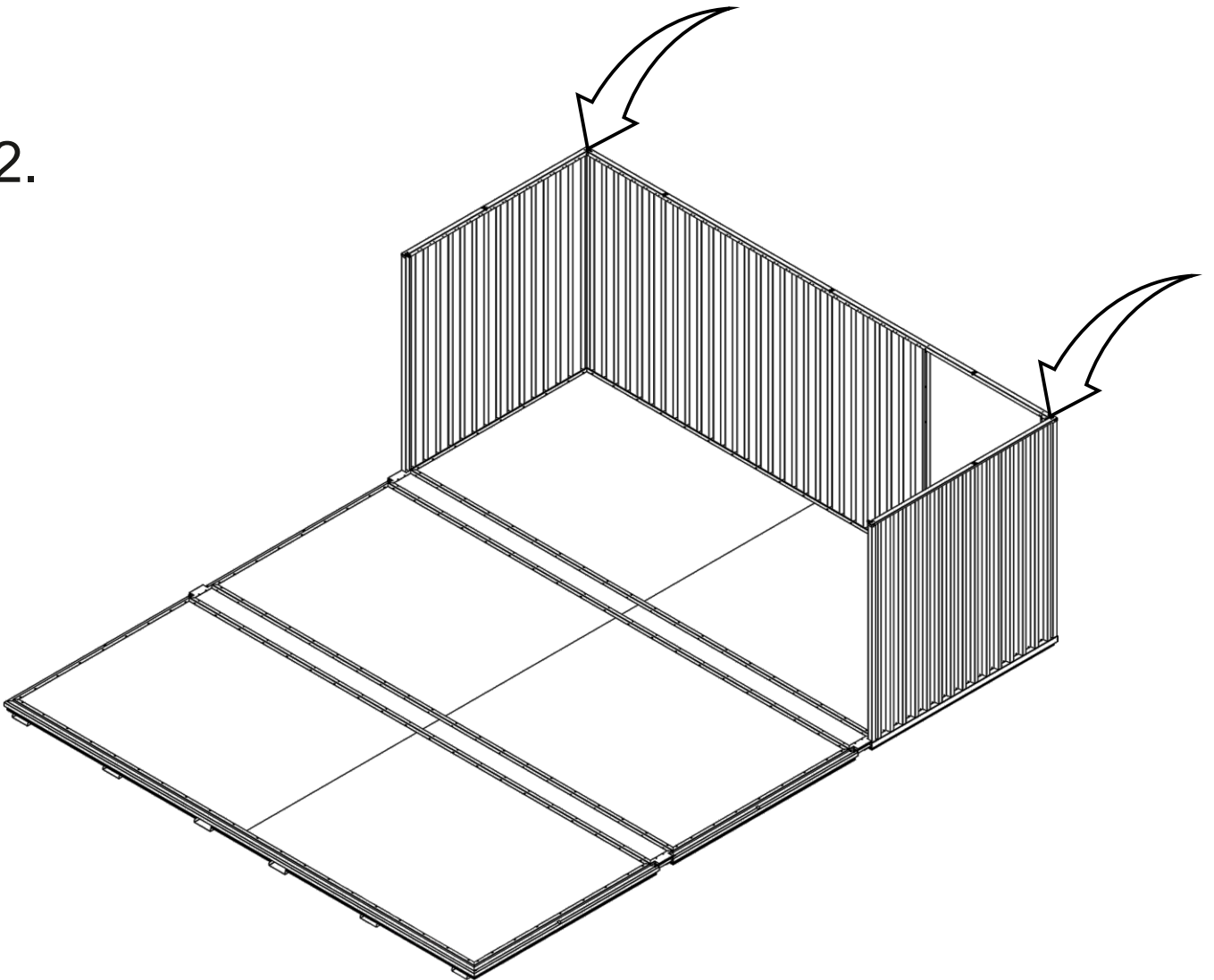


3.1.

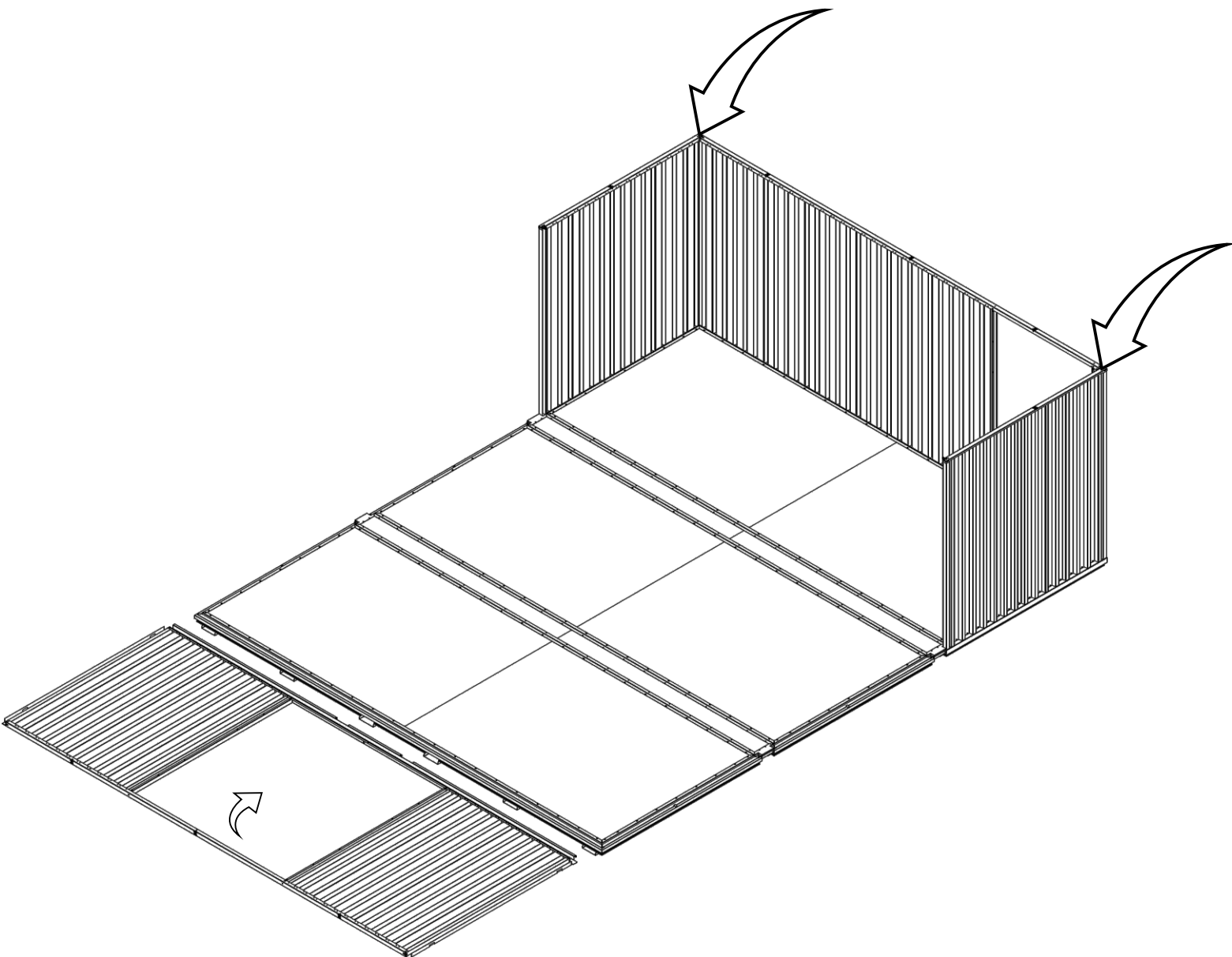
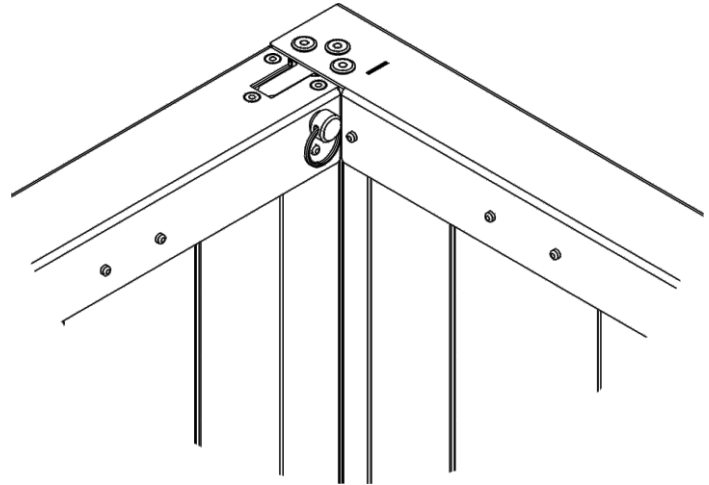
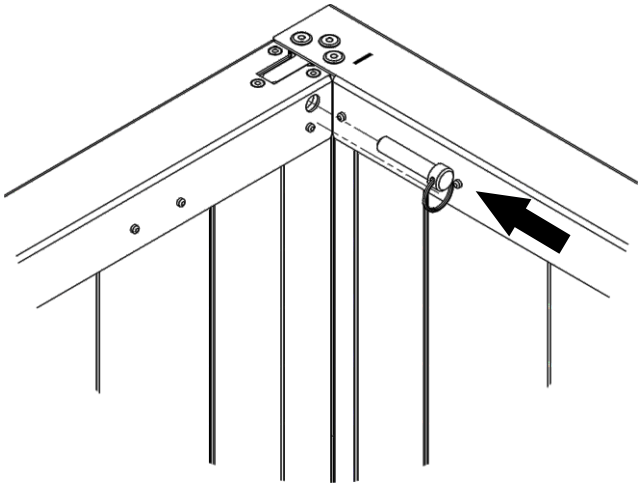




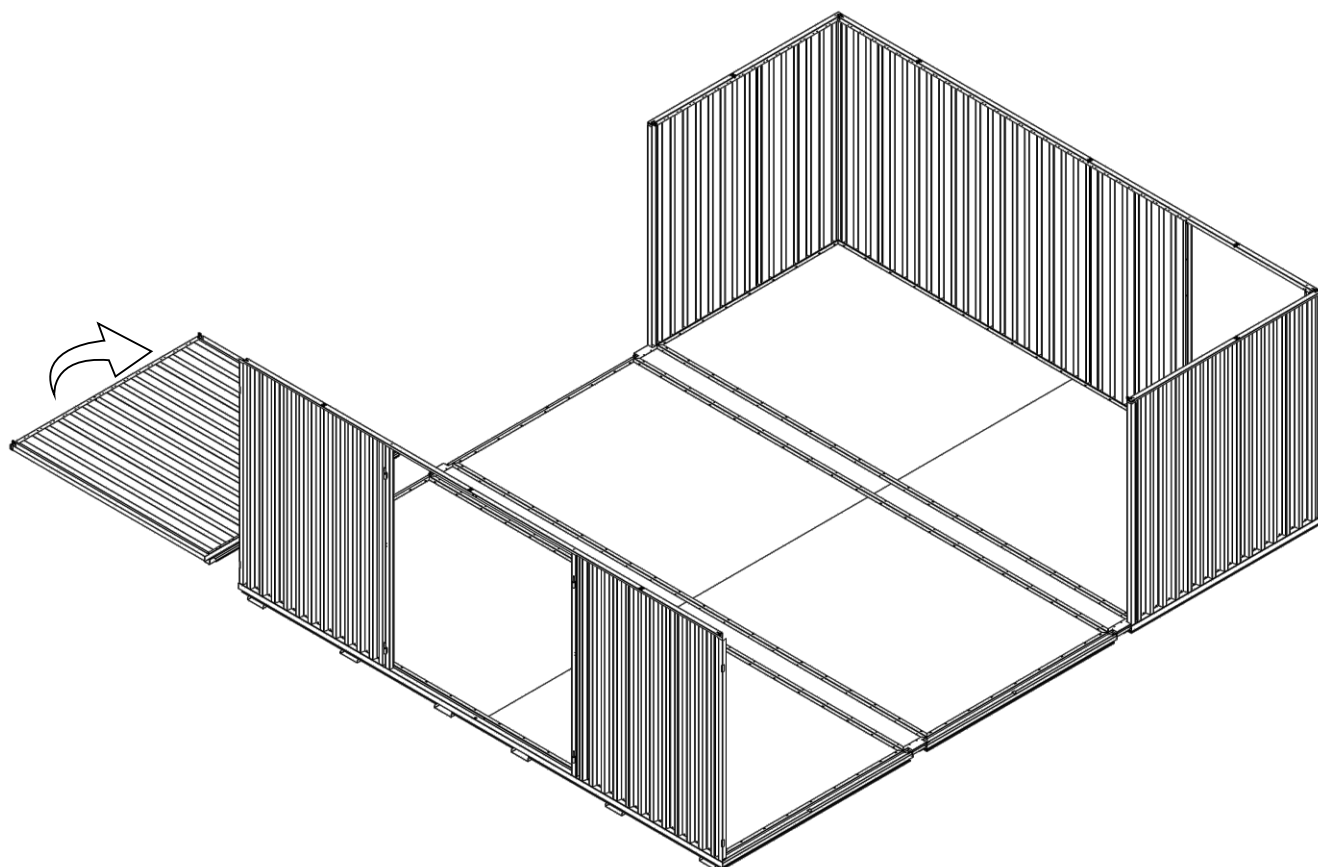
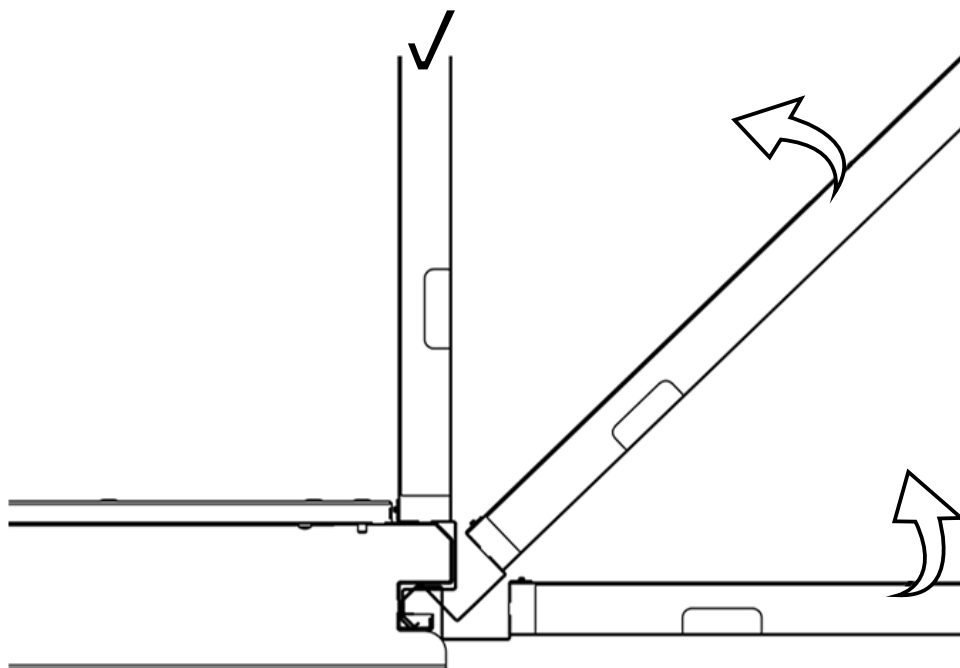
3.2.



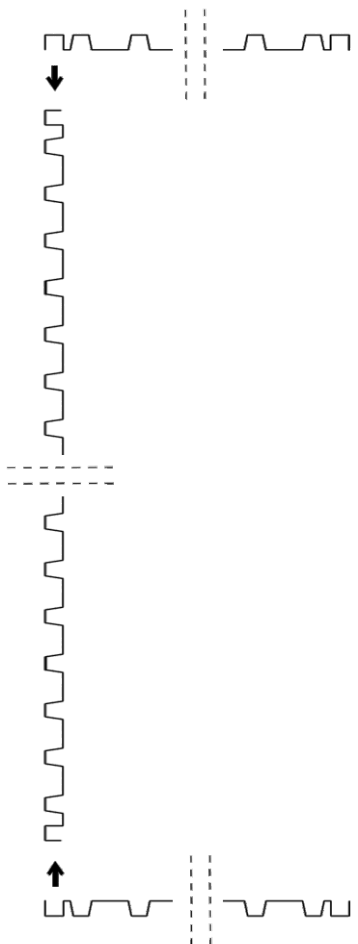
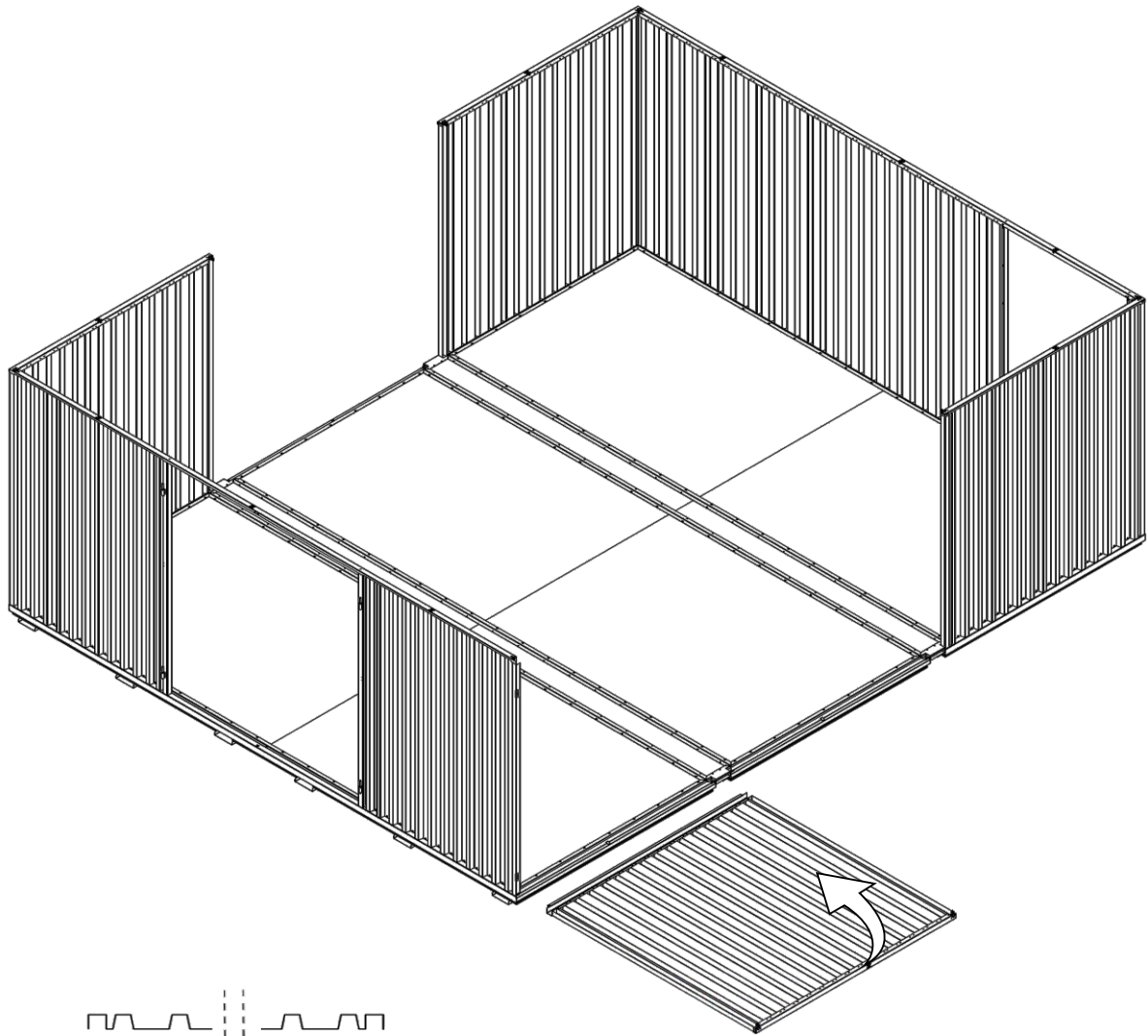
3.3.

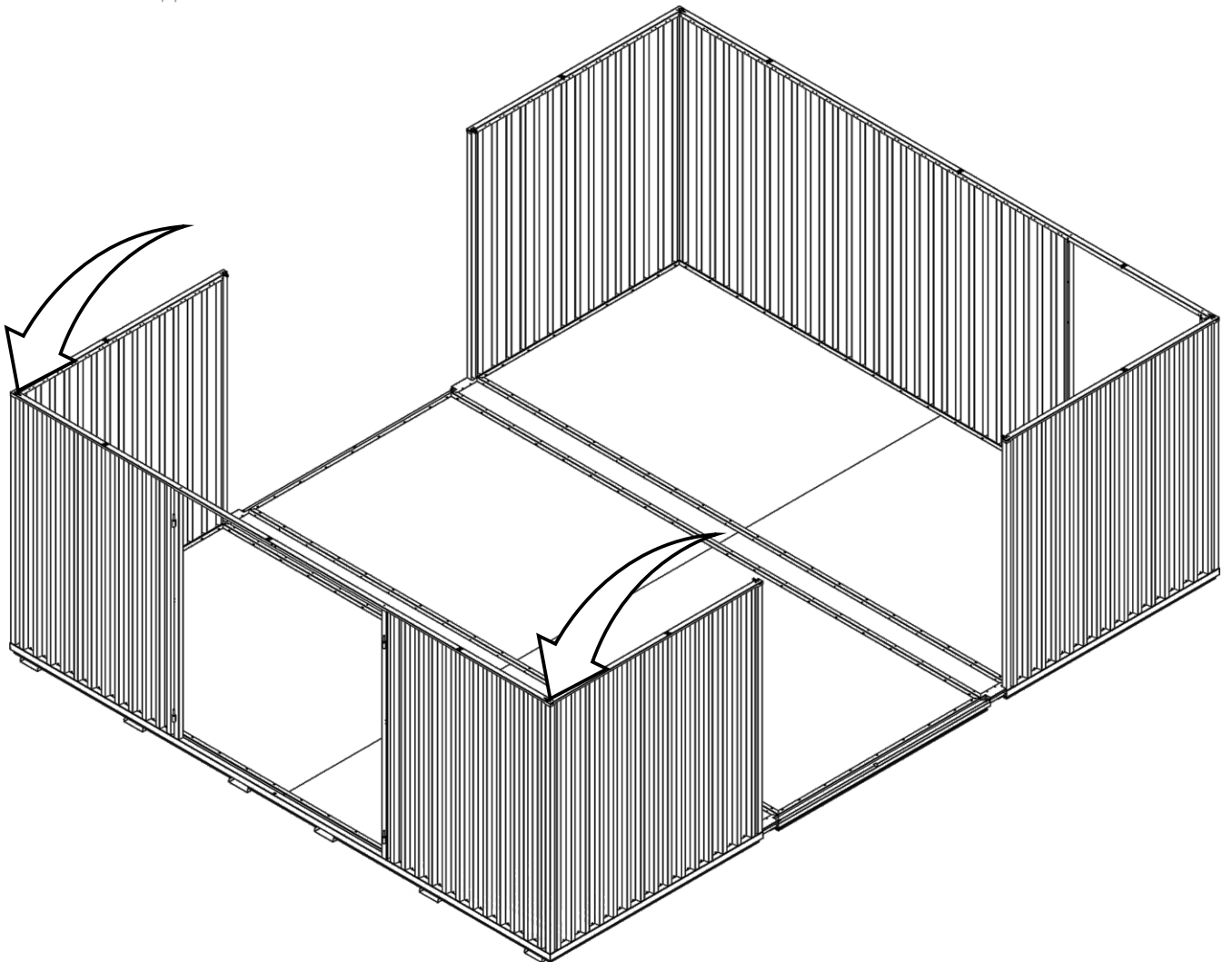
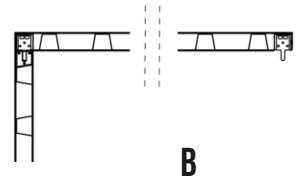
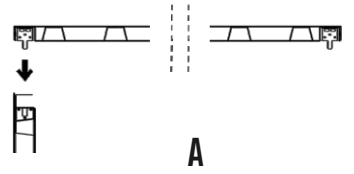
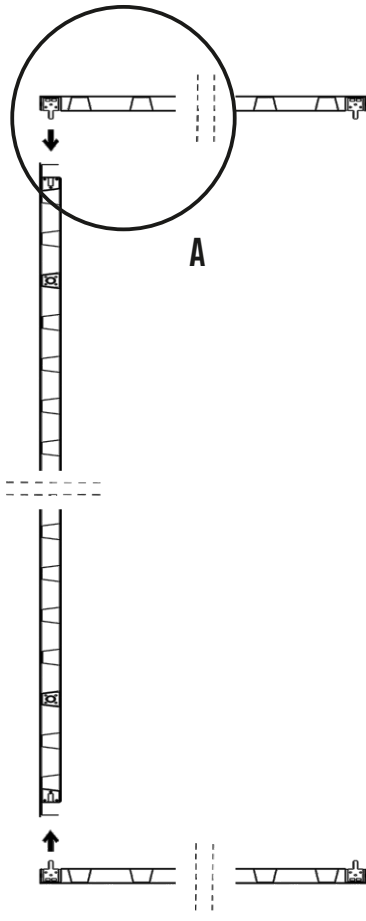
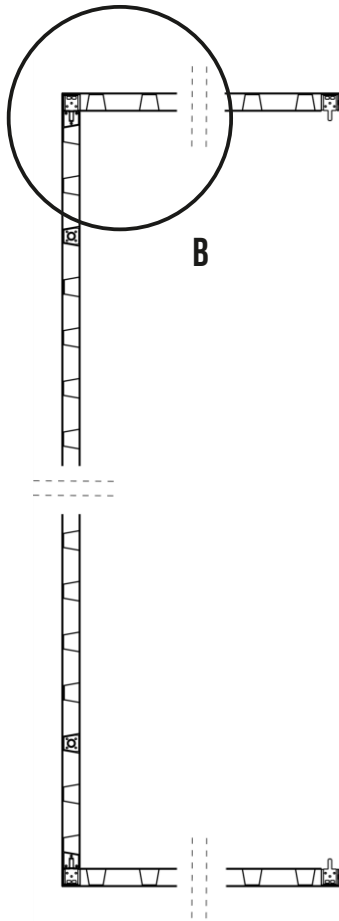


4.1.

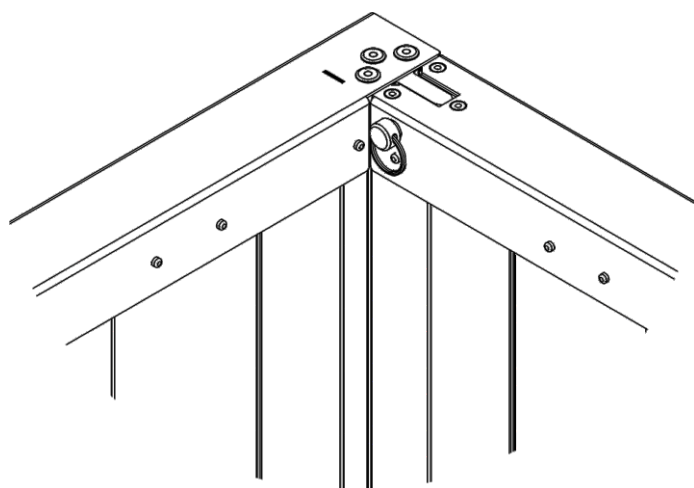
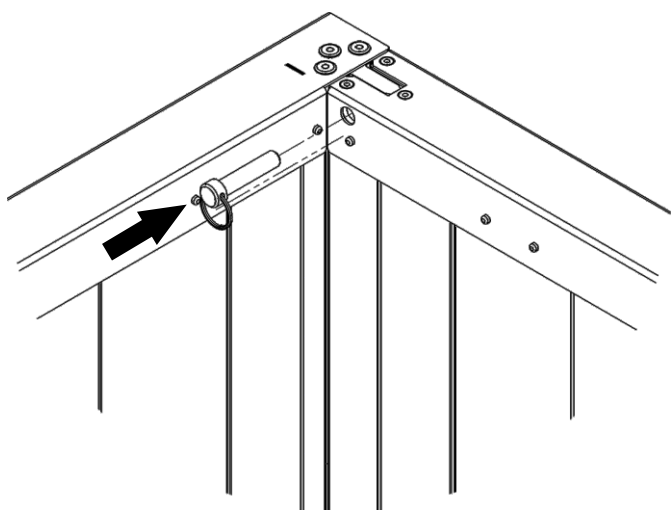
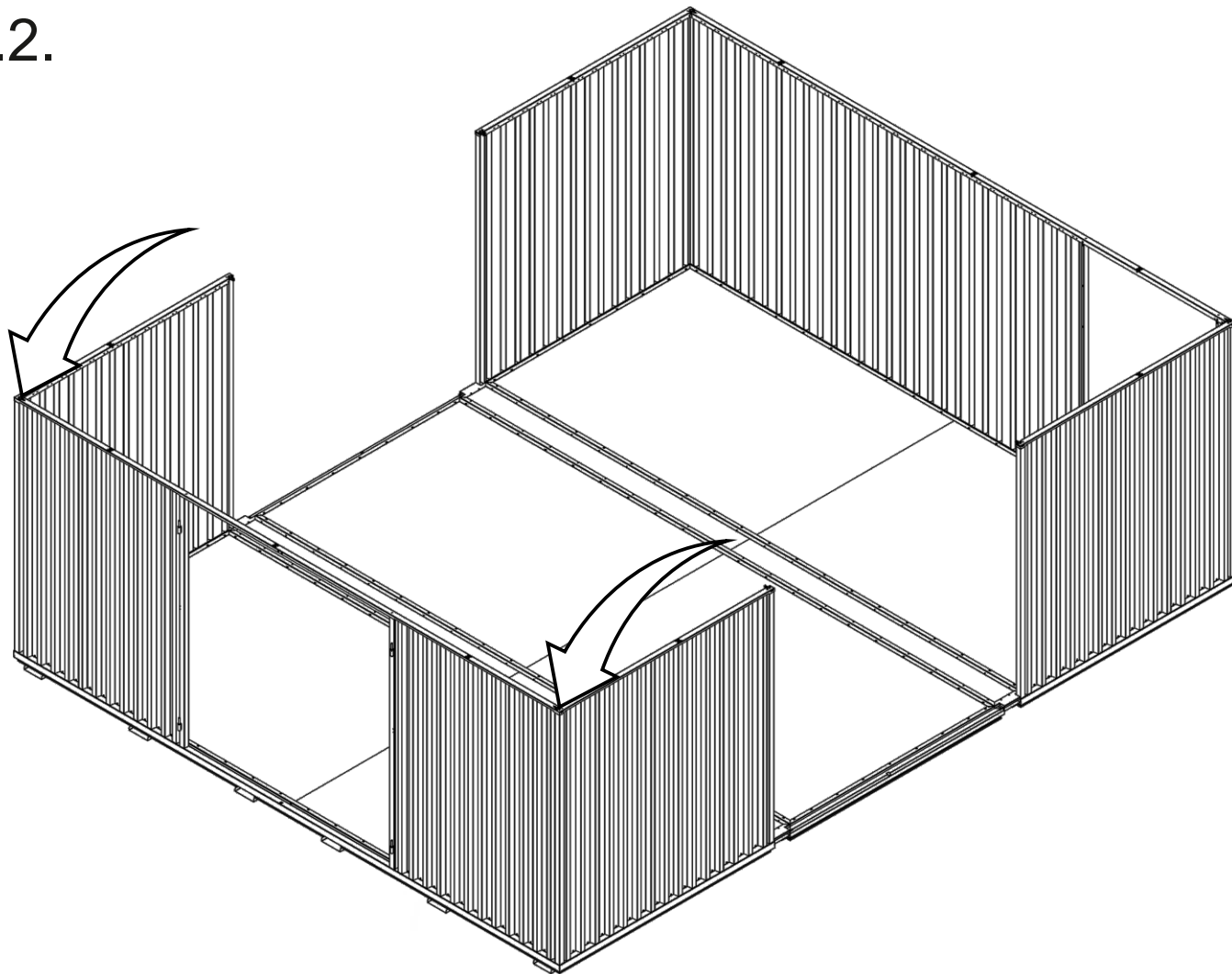


5.1.

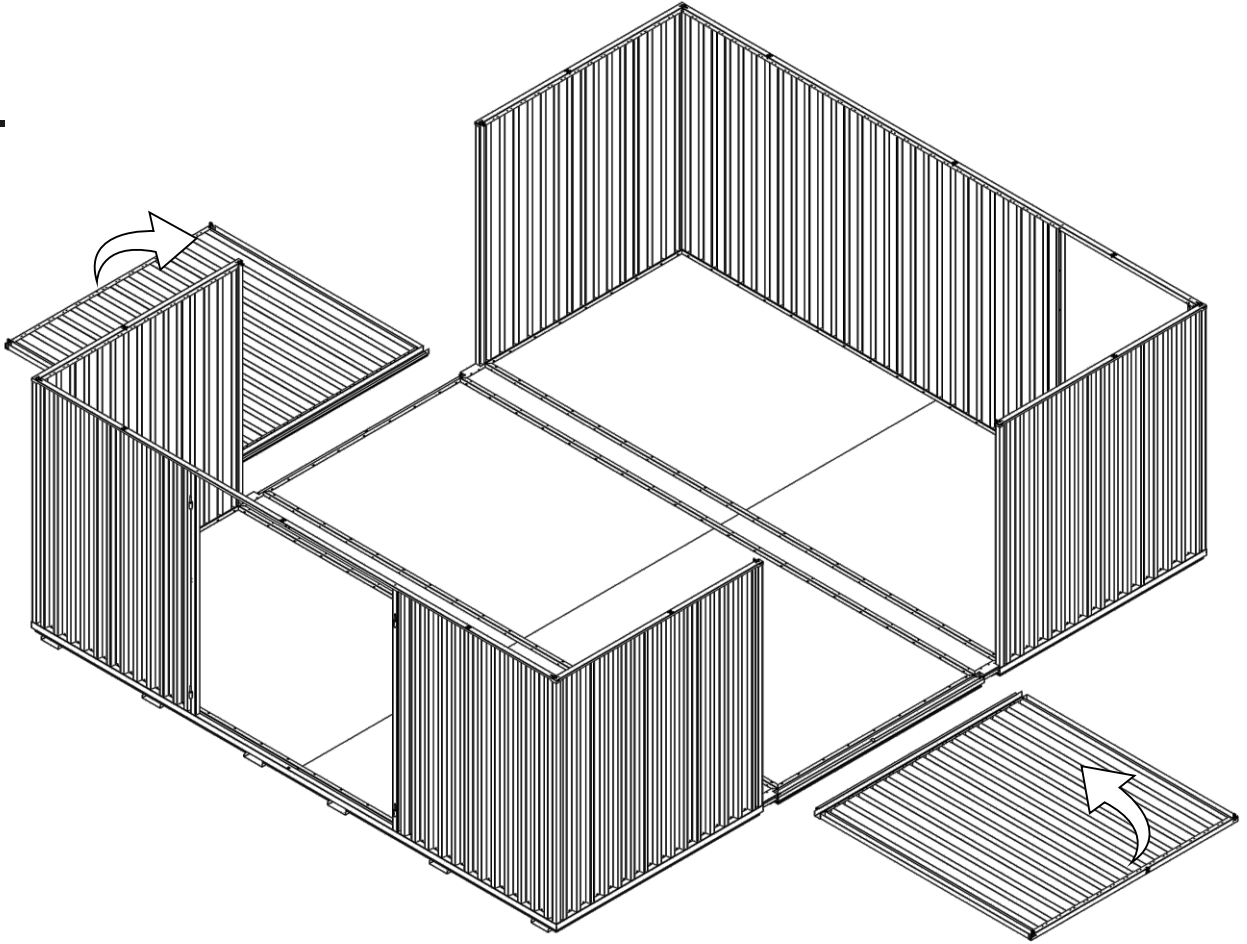




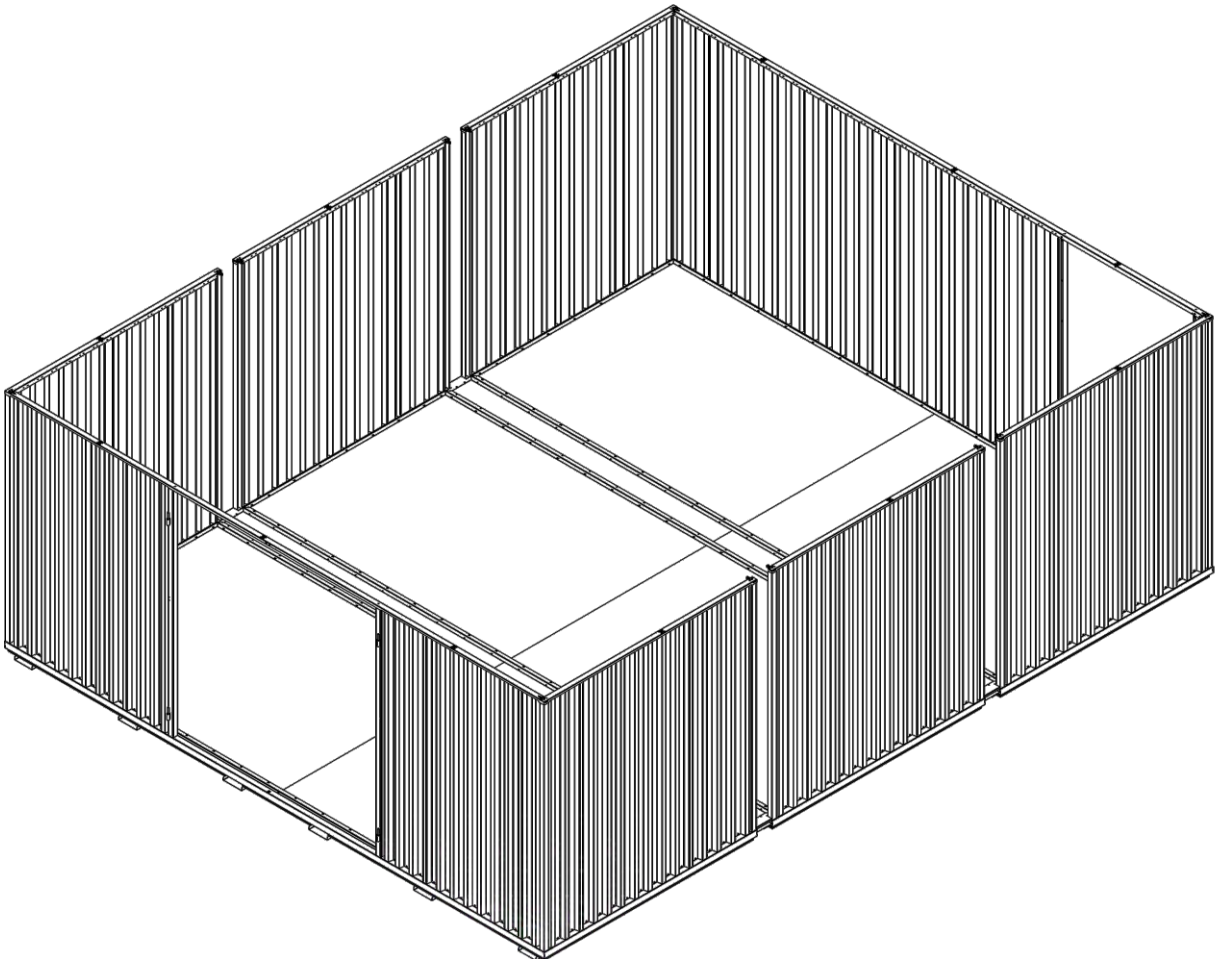
5.2.



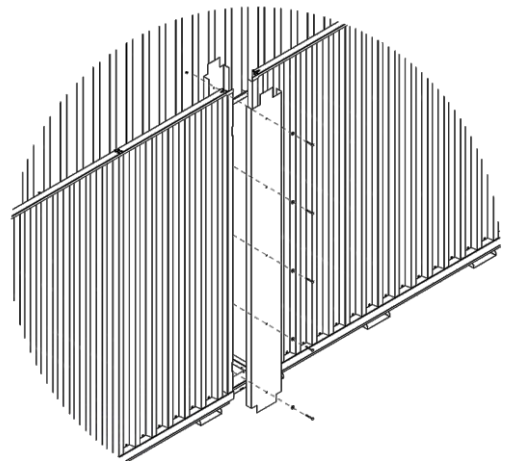
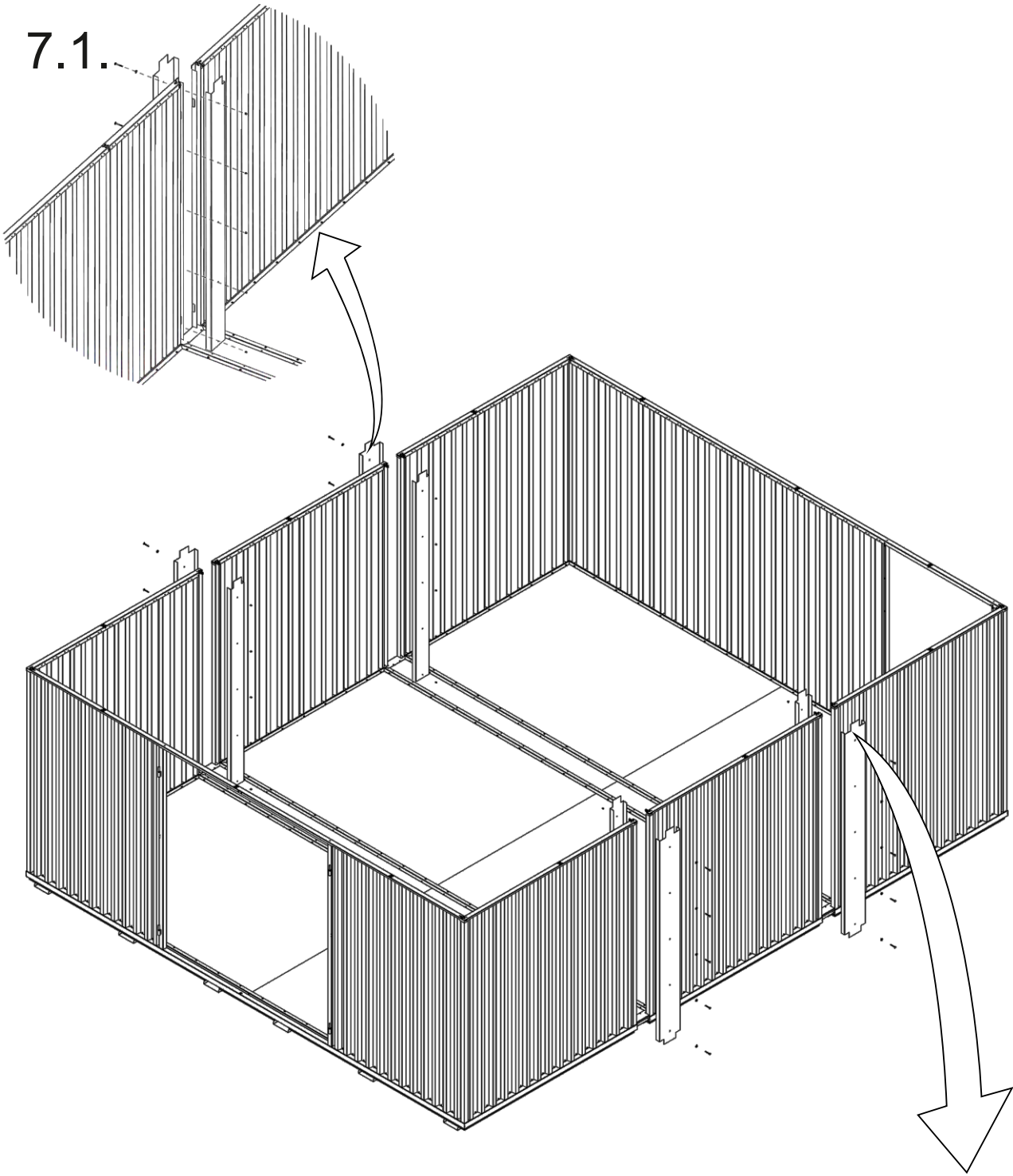
6.1.



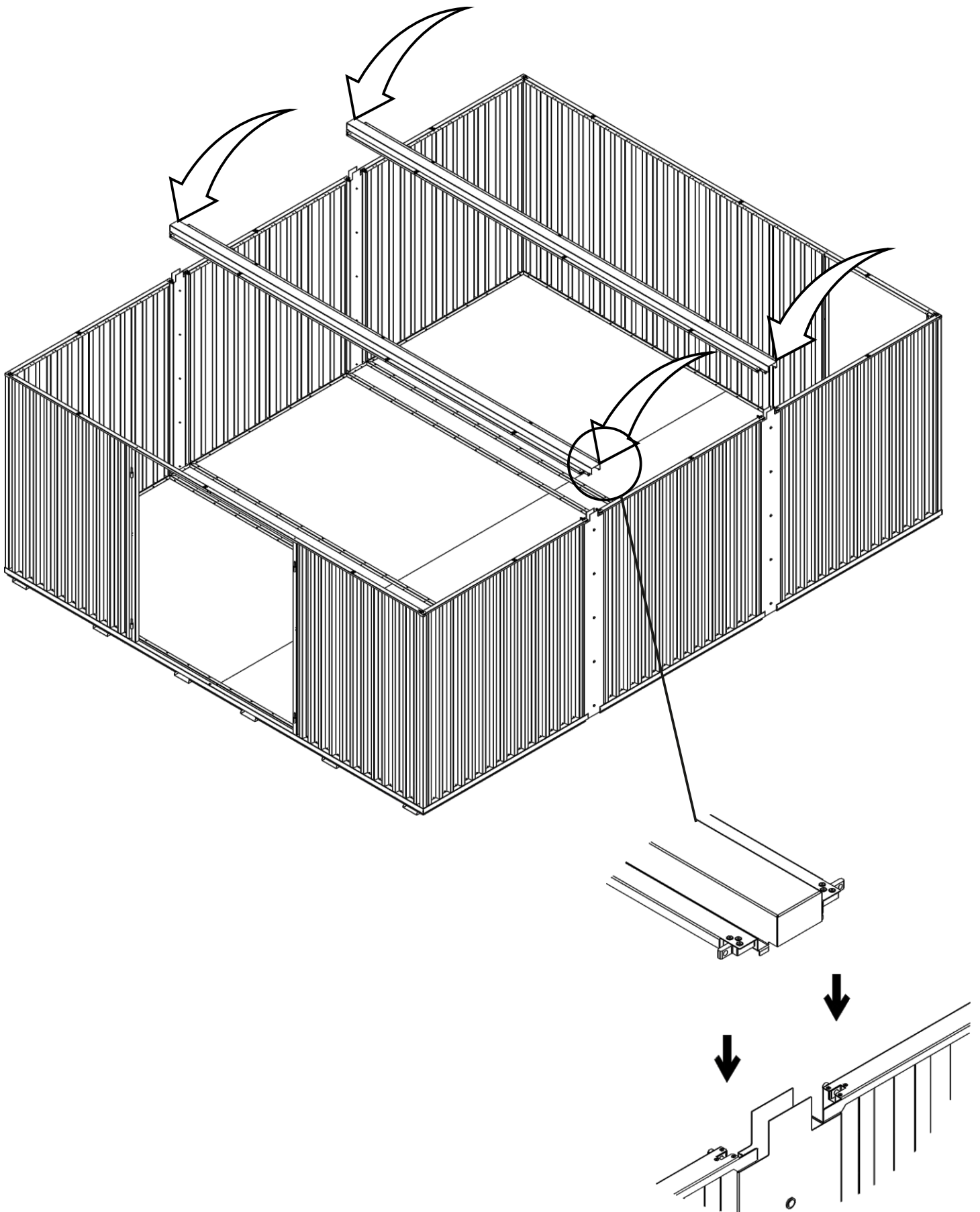
6.2.



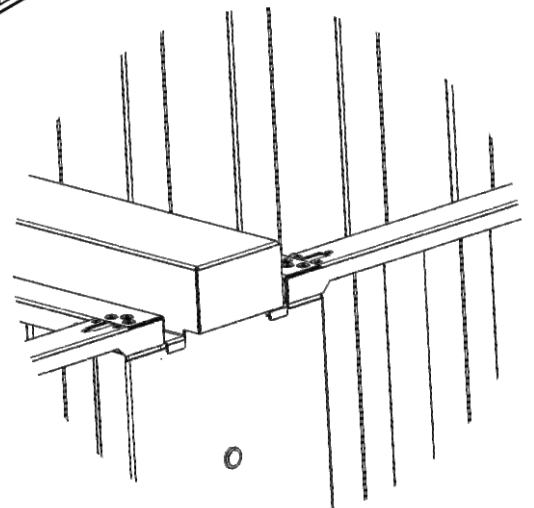
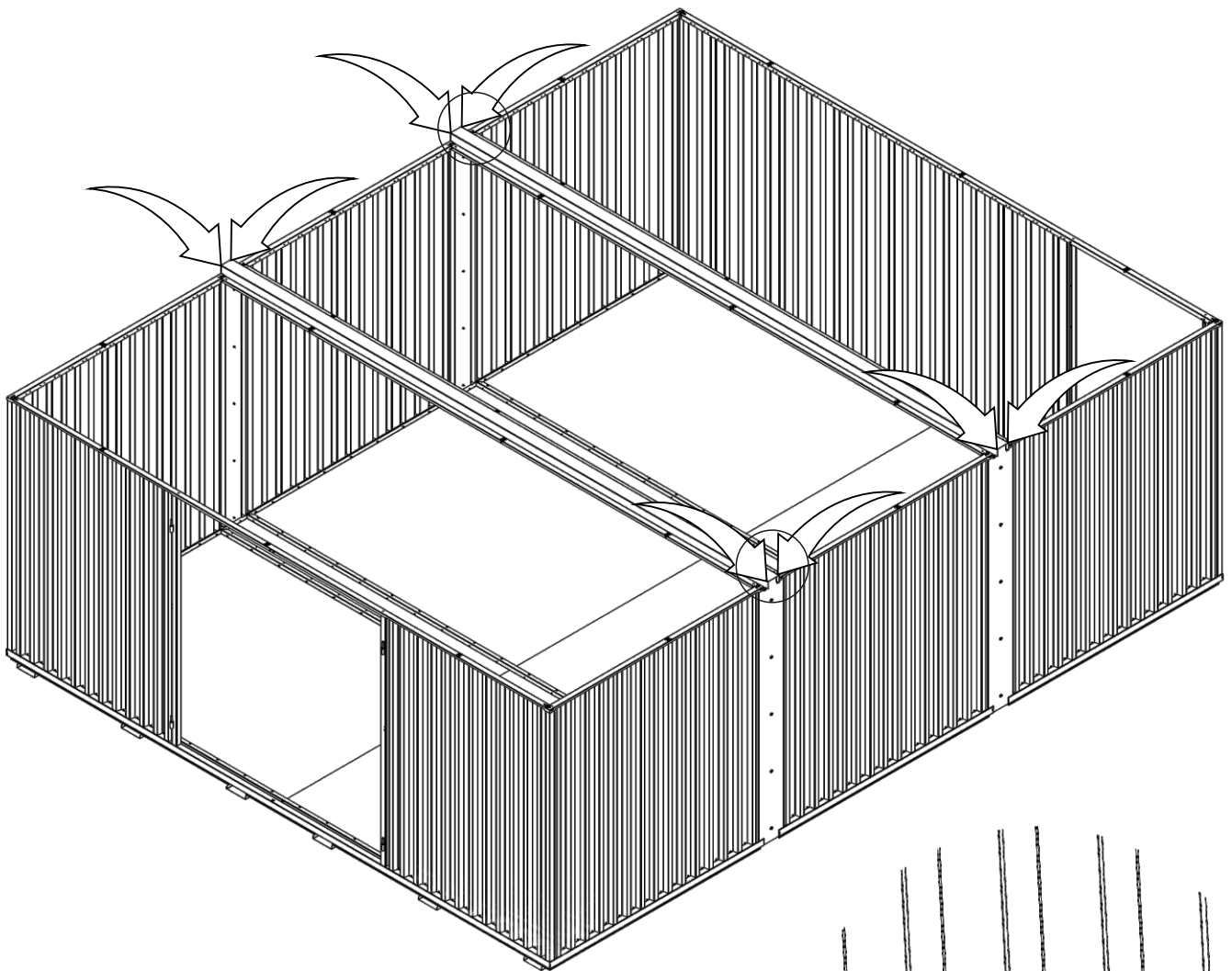
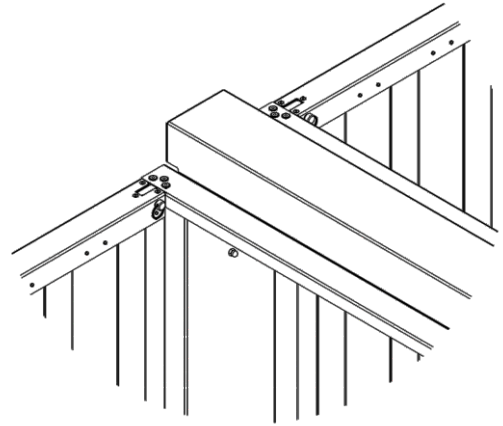
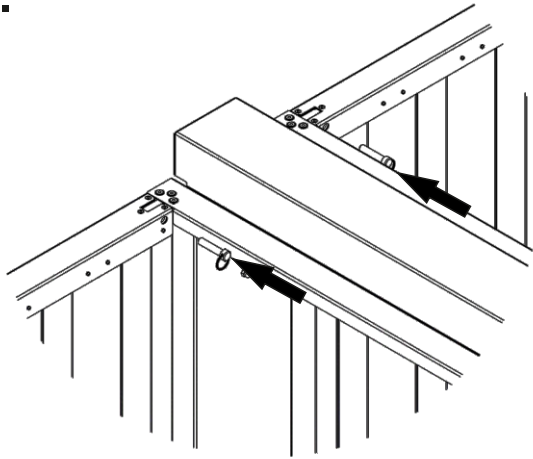
7.1.



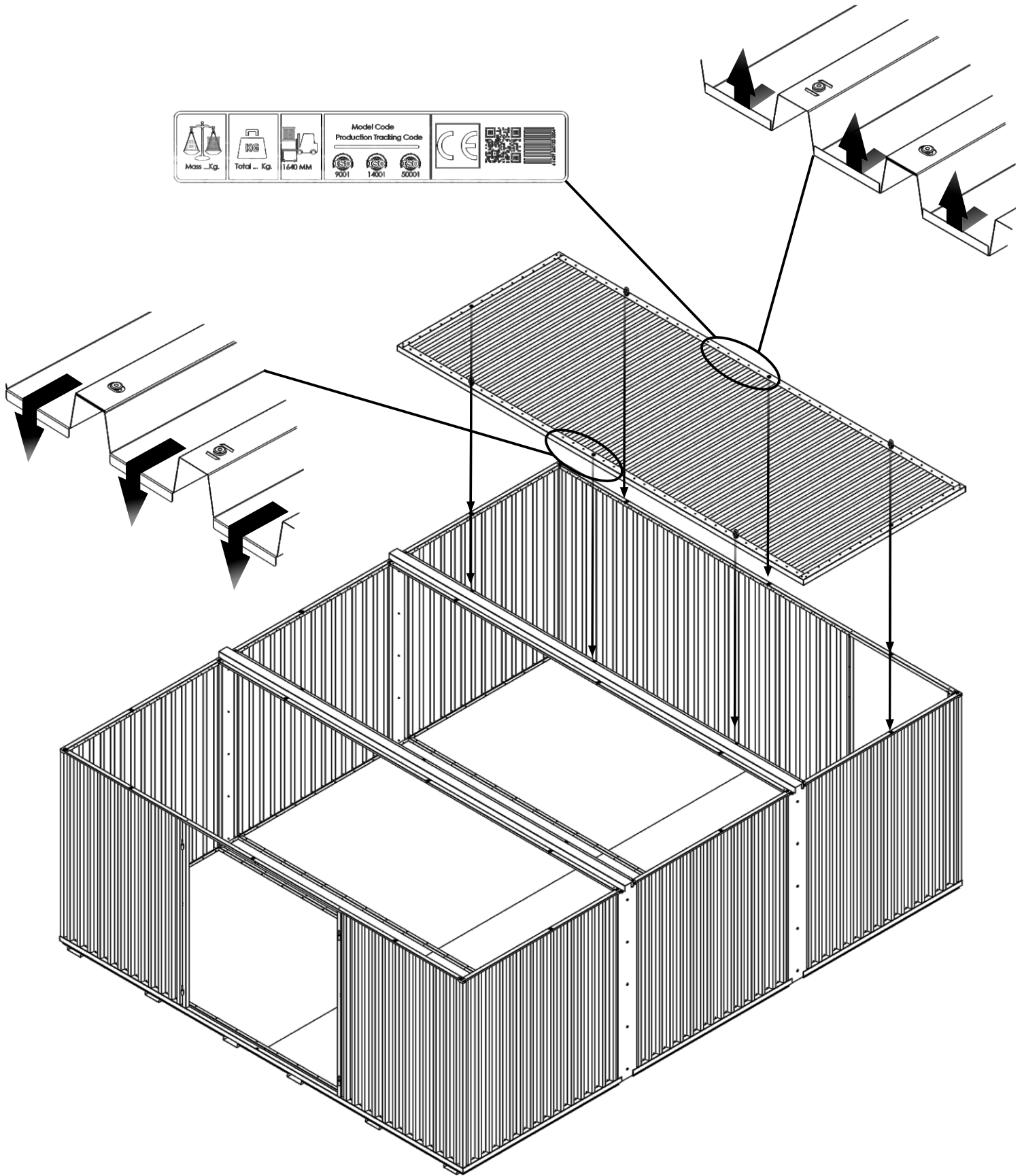
8.1.



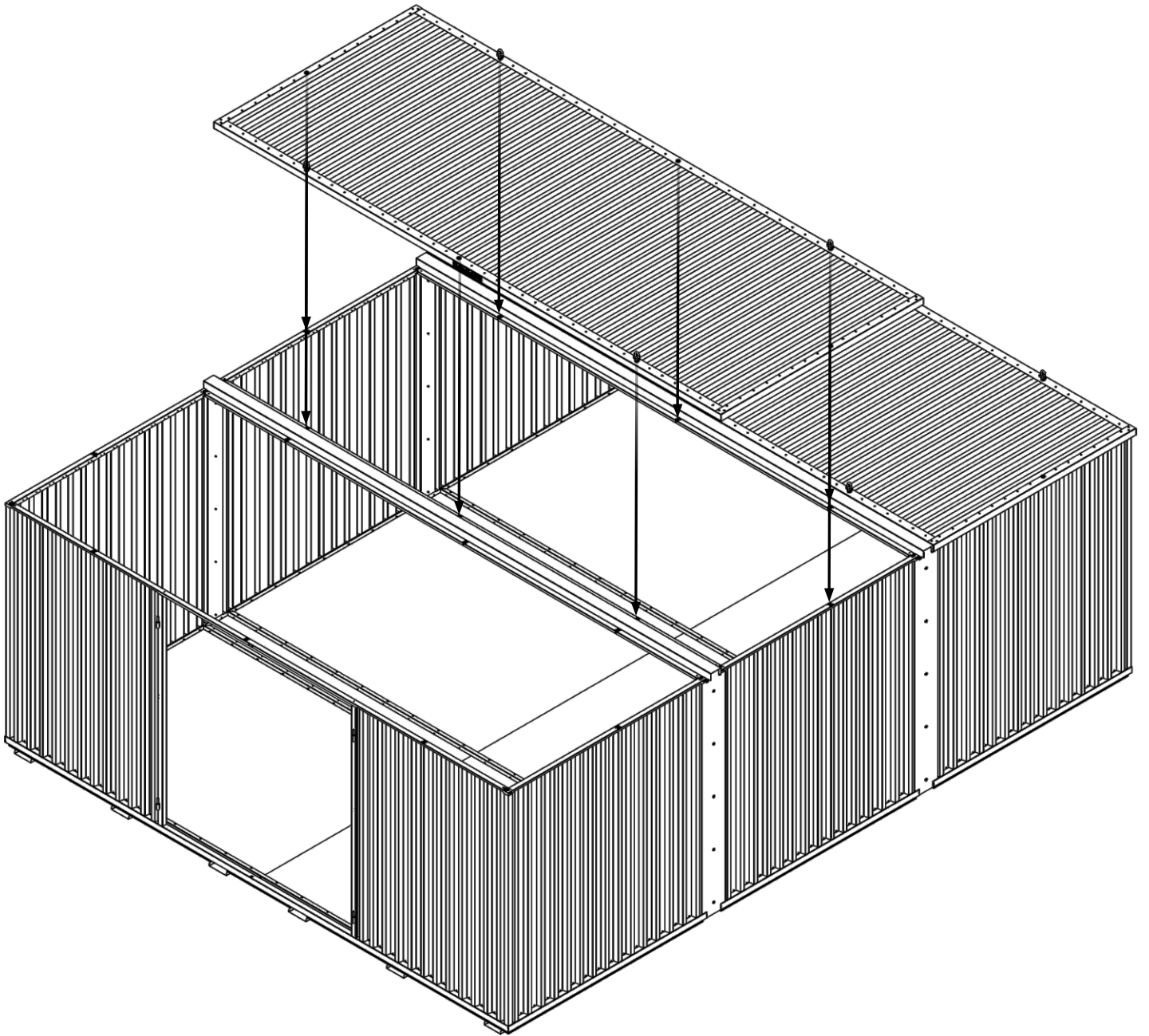
8.2.



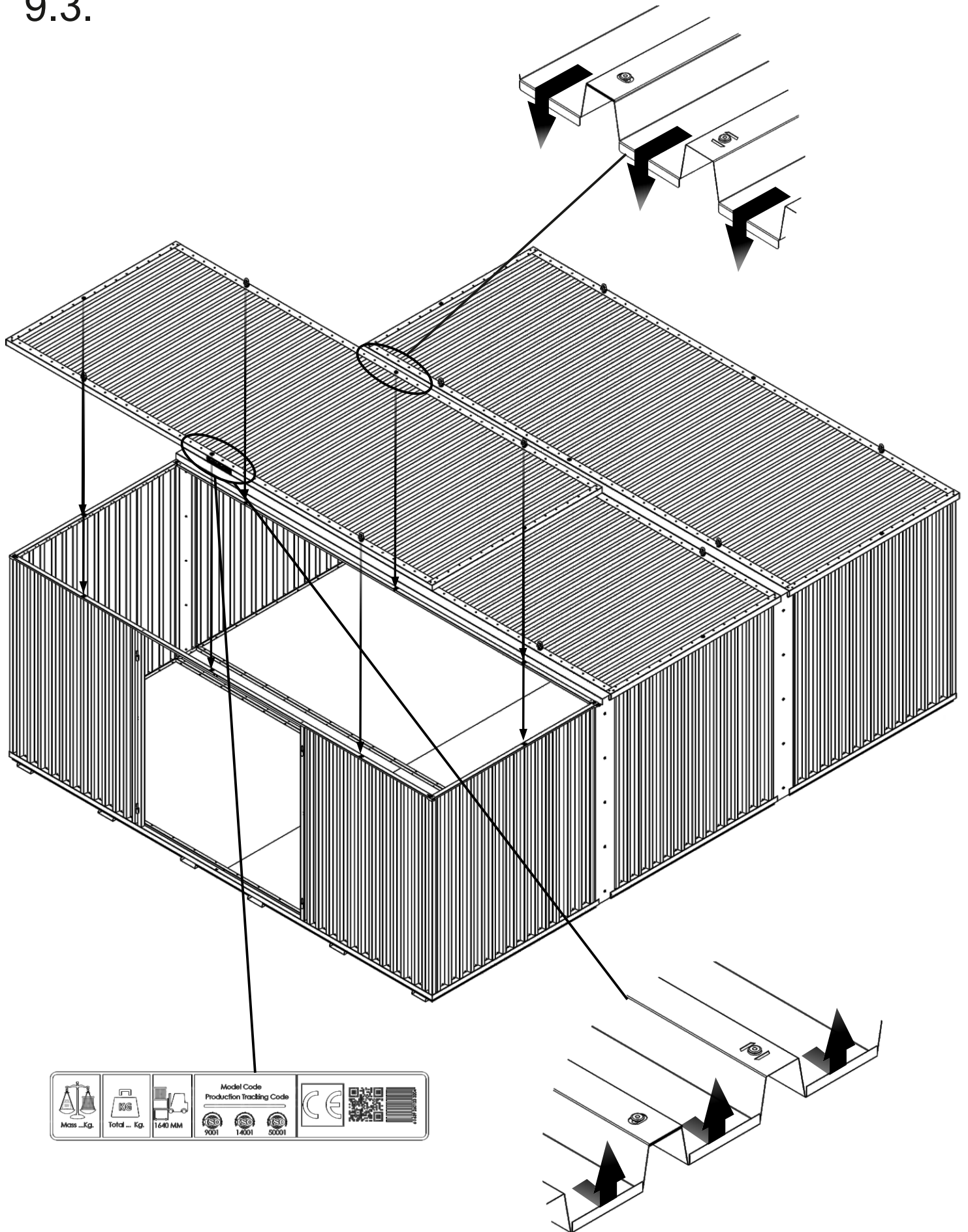
9.1.

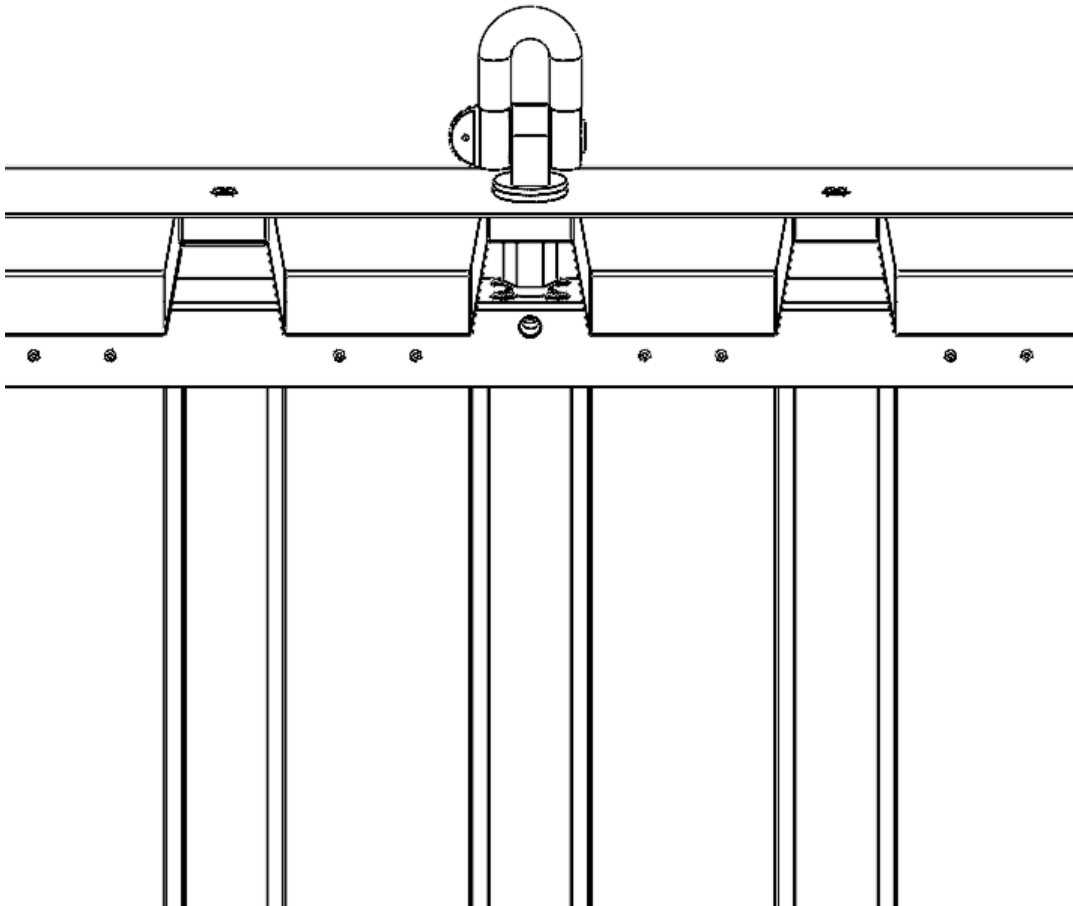
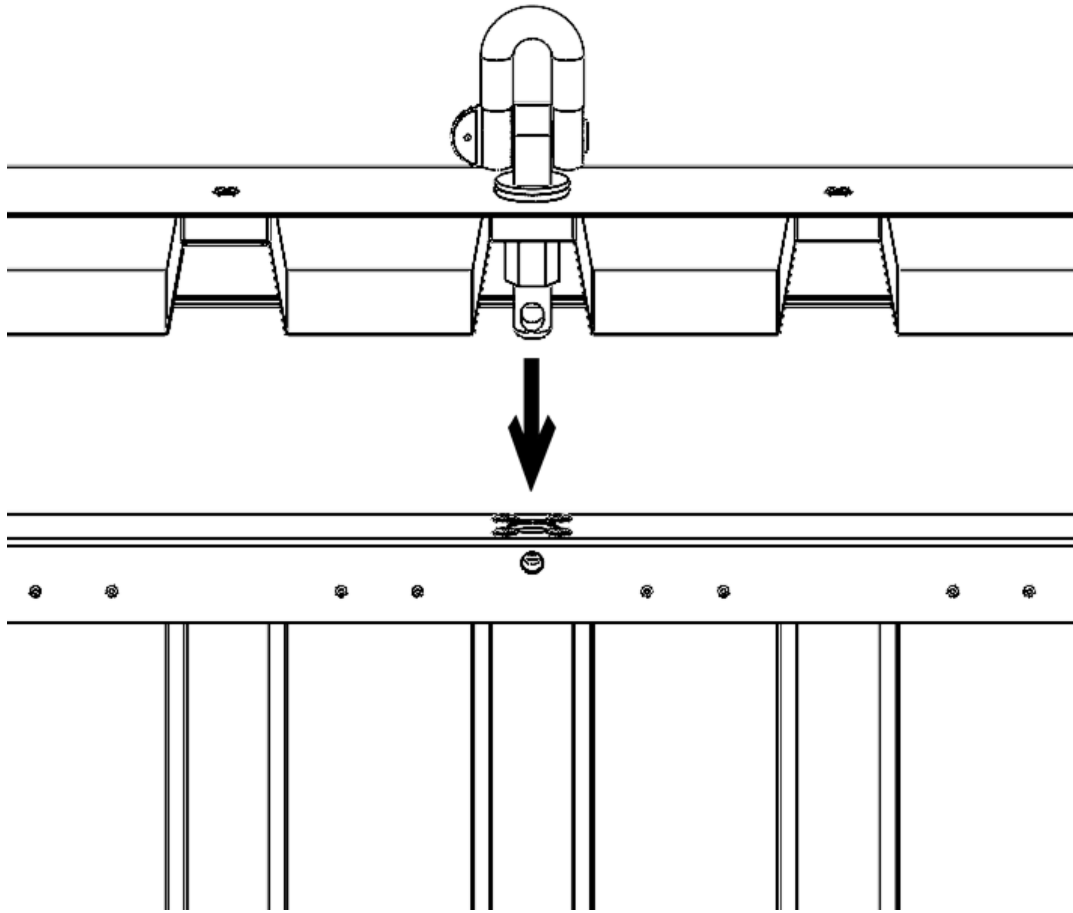


9.2.

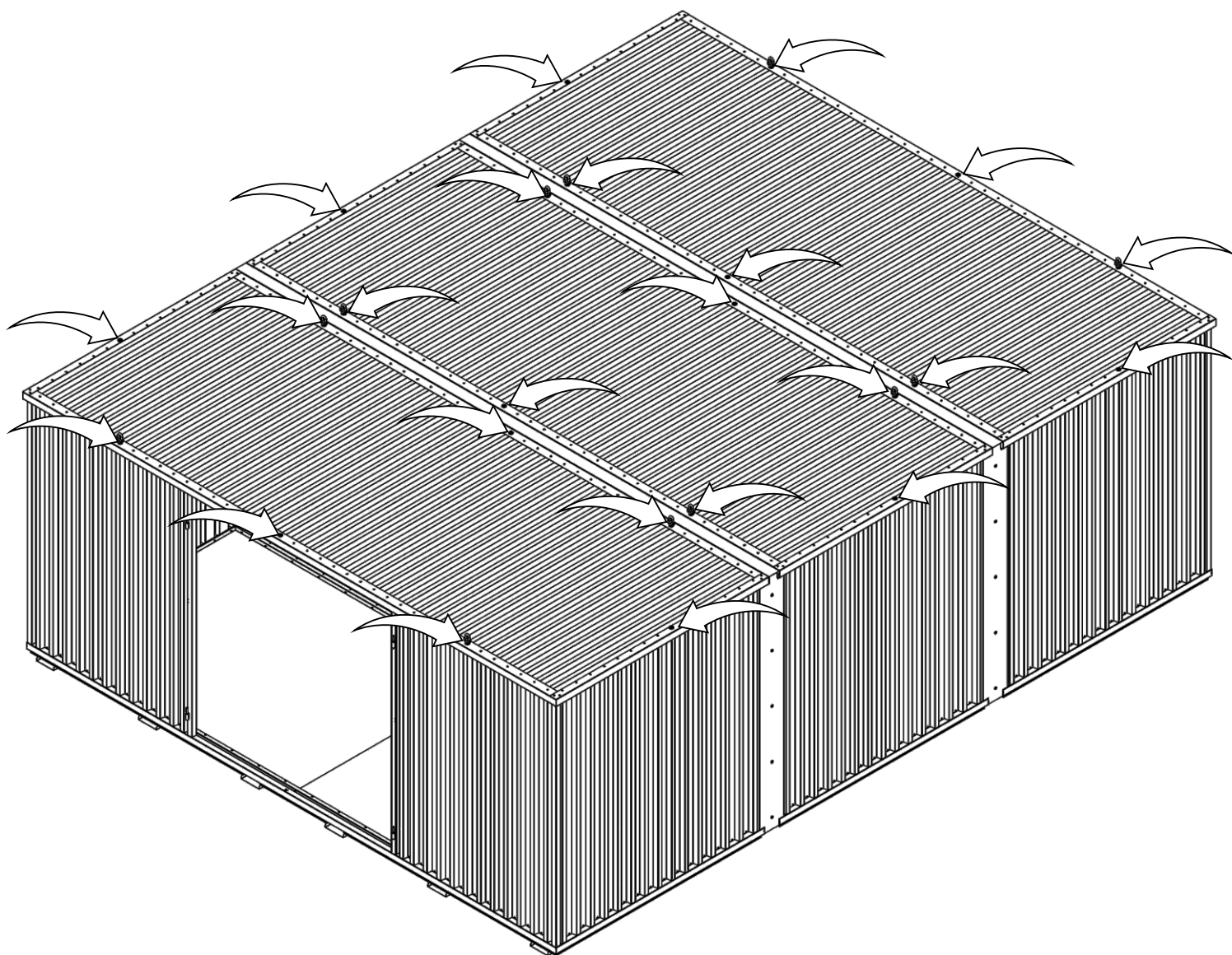


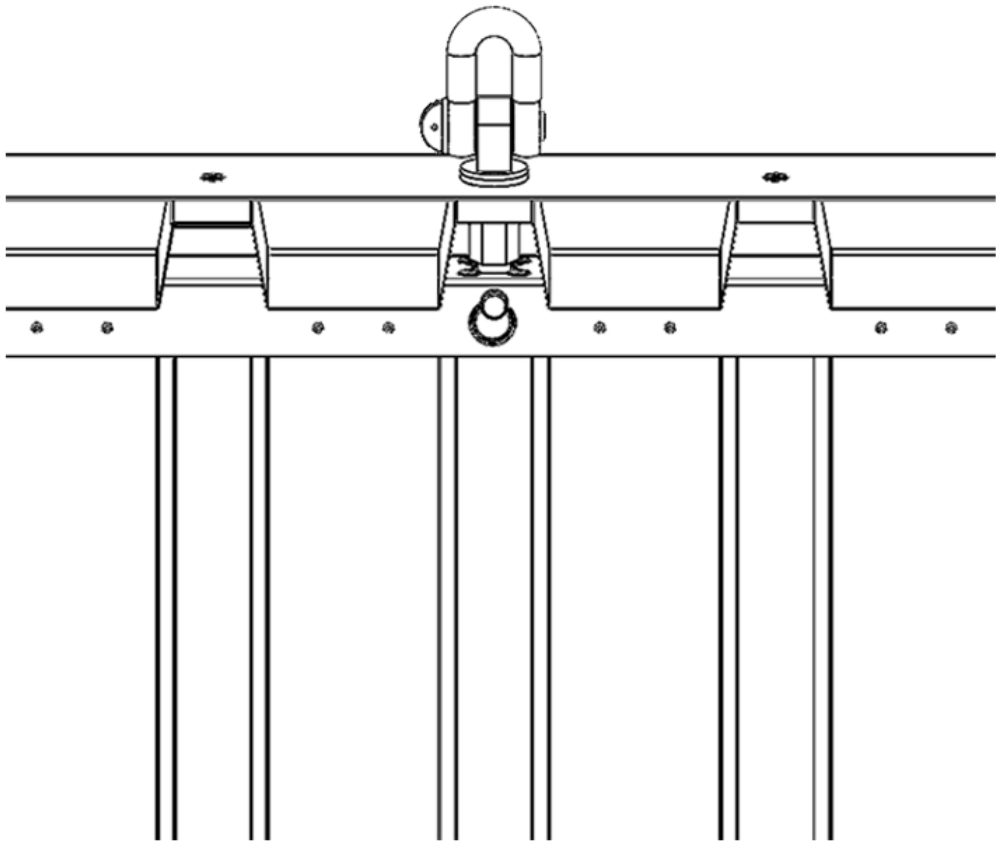
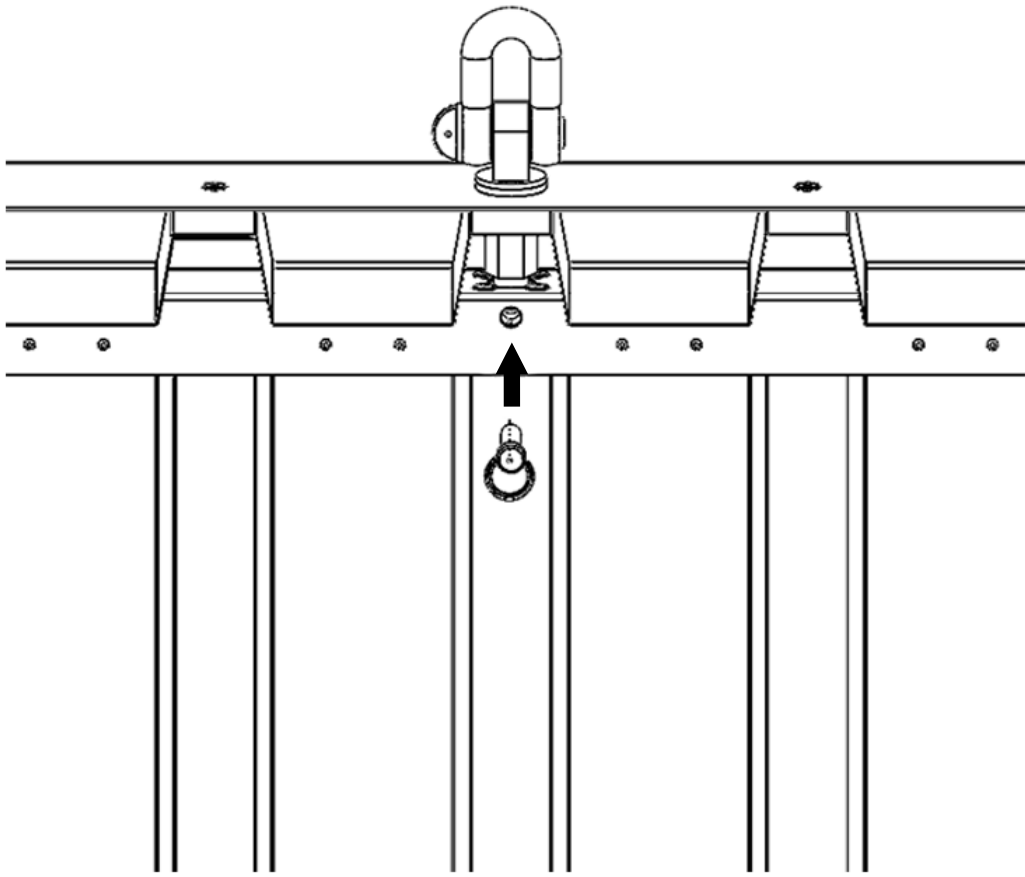
9.3.



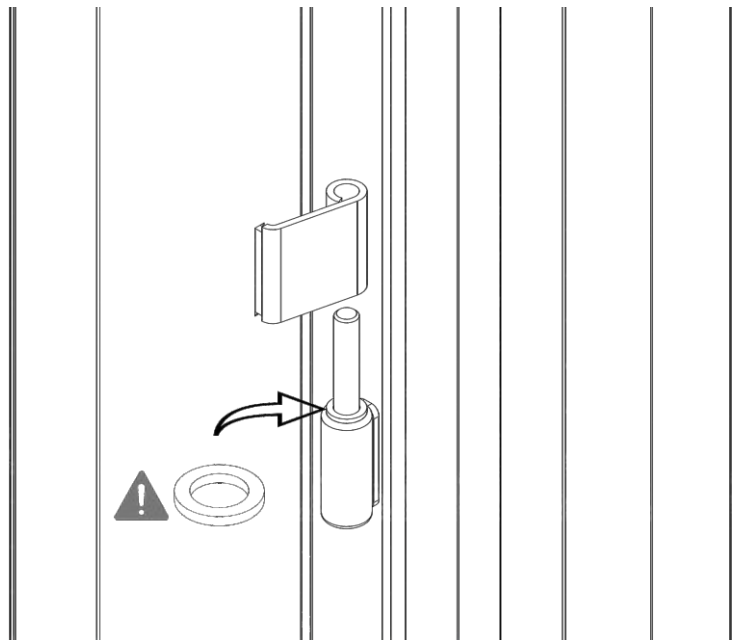
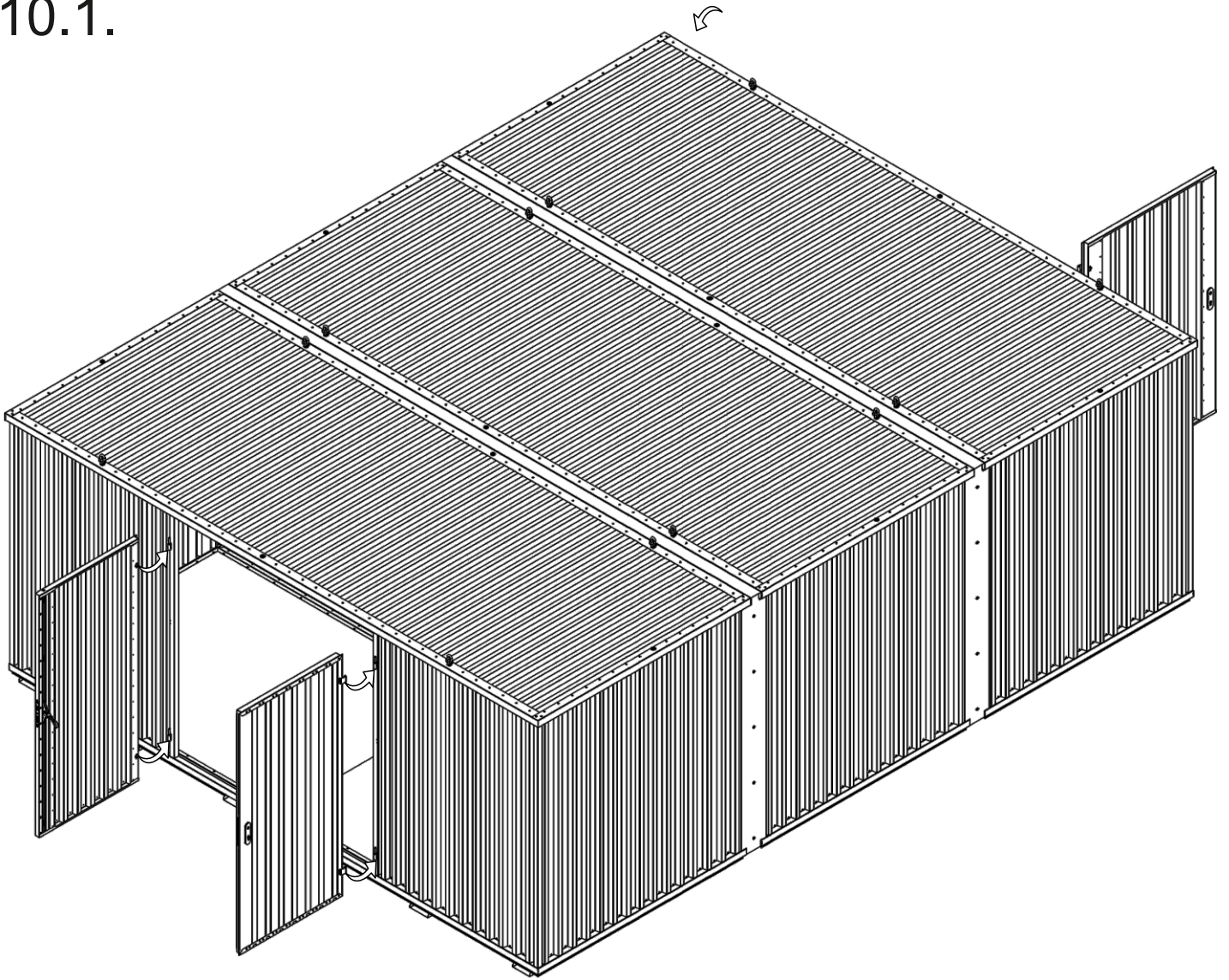


9.4.

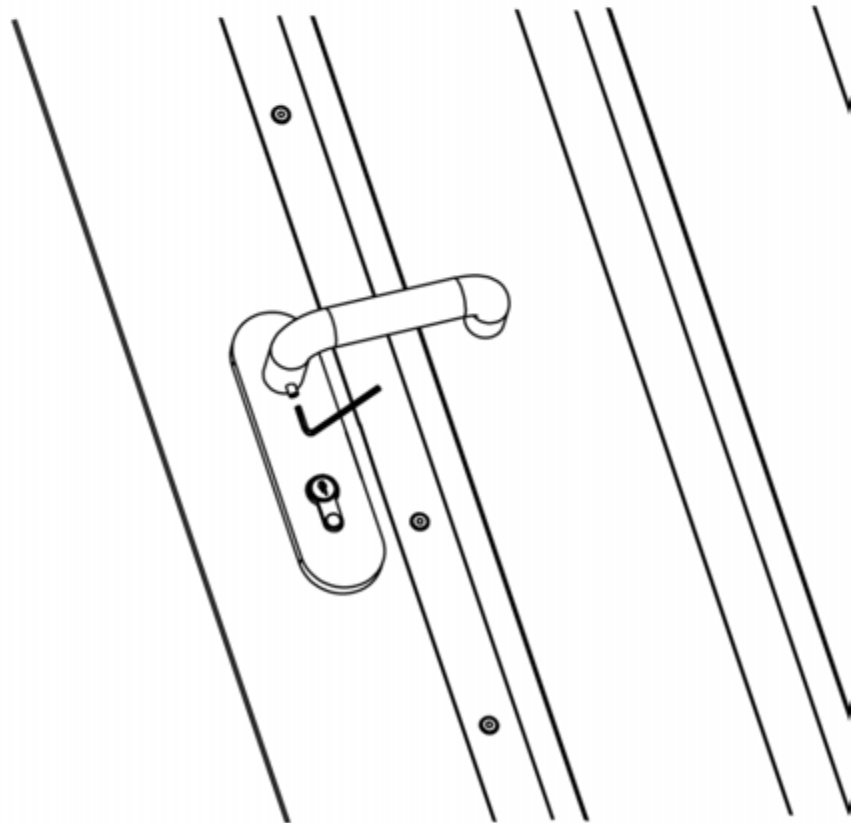
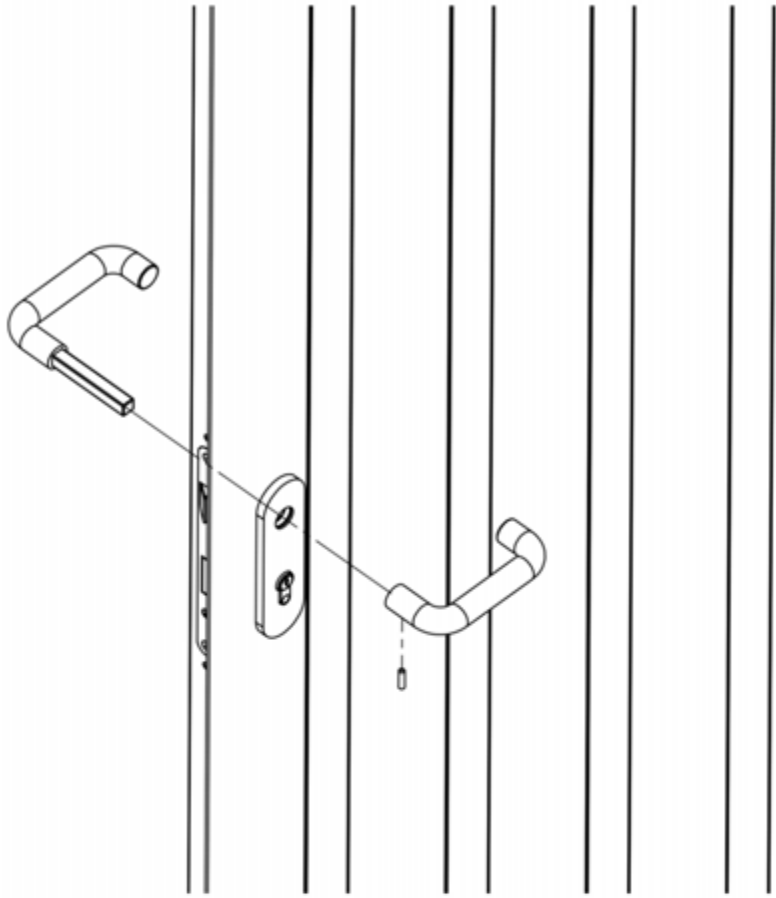




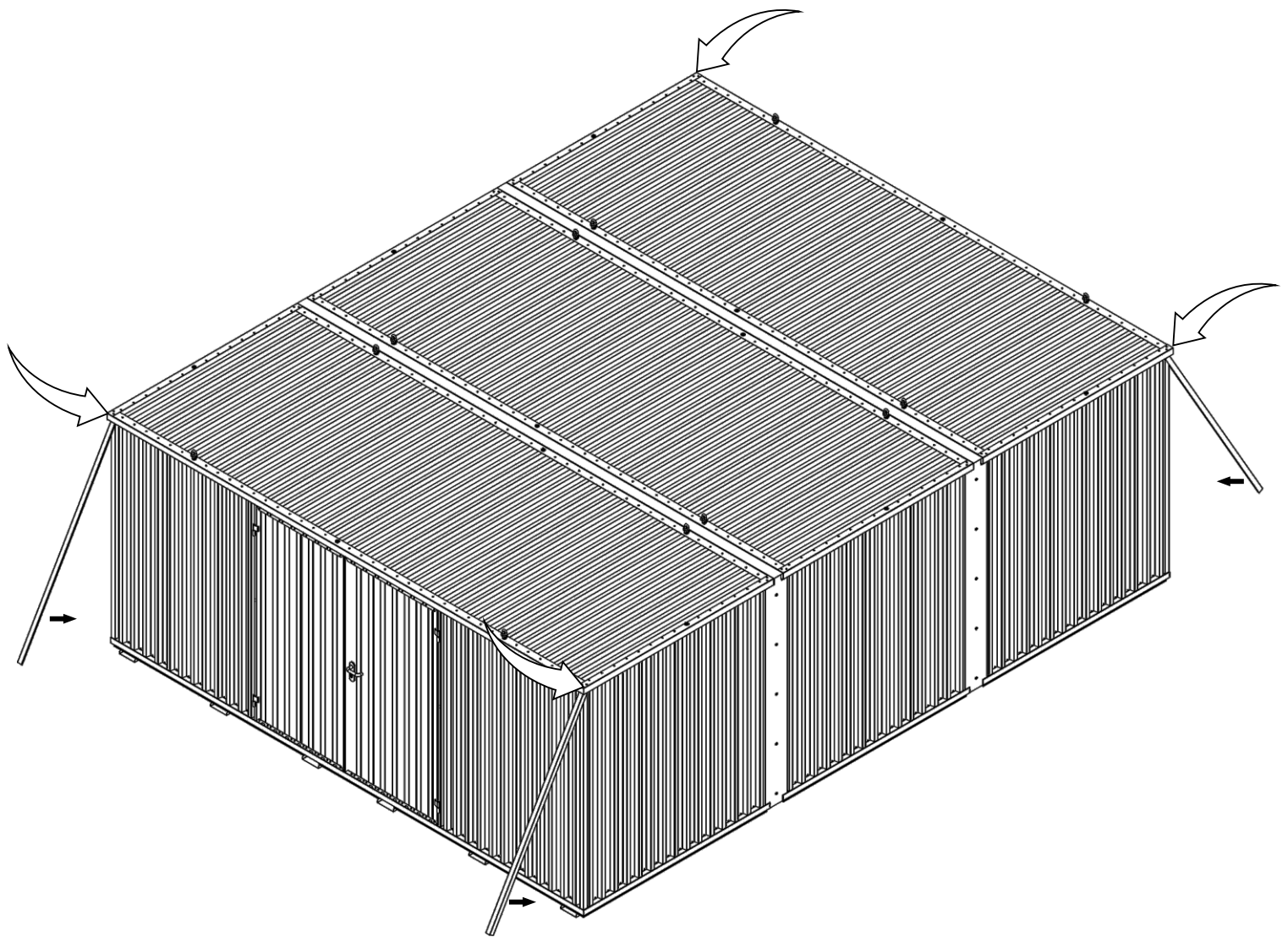
10.1.



10.2.



11.1.



12.1.

