





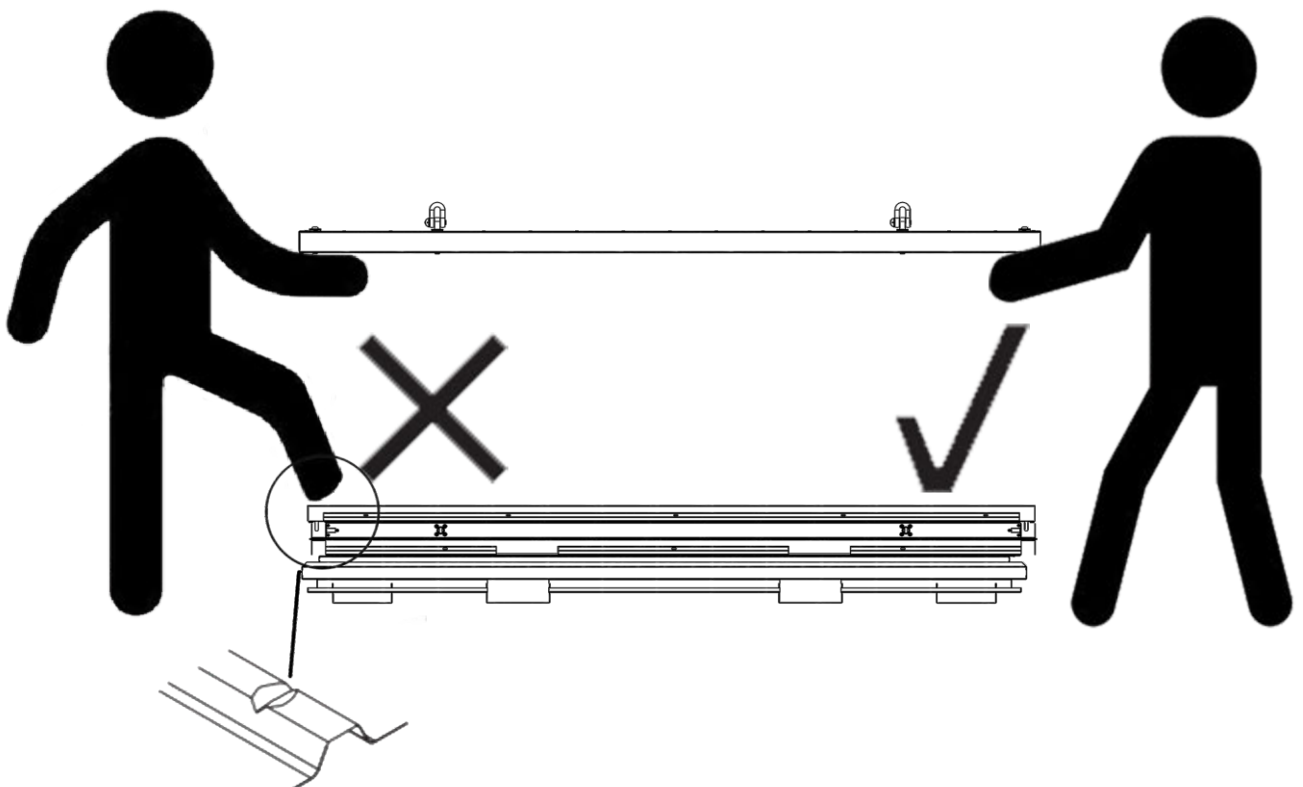
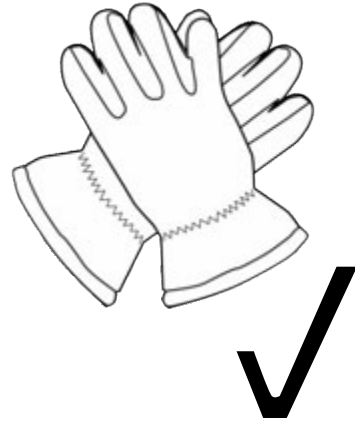


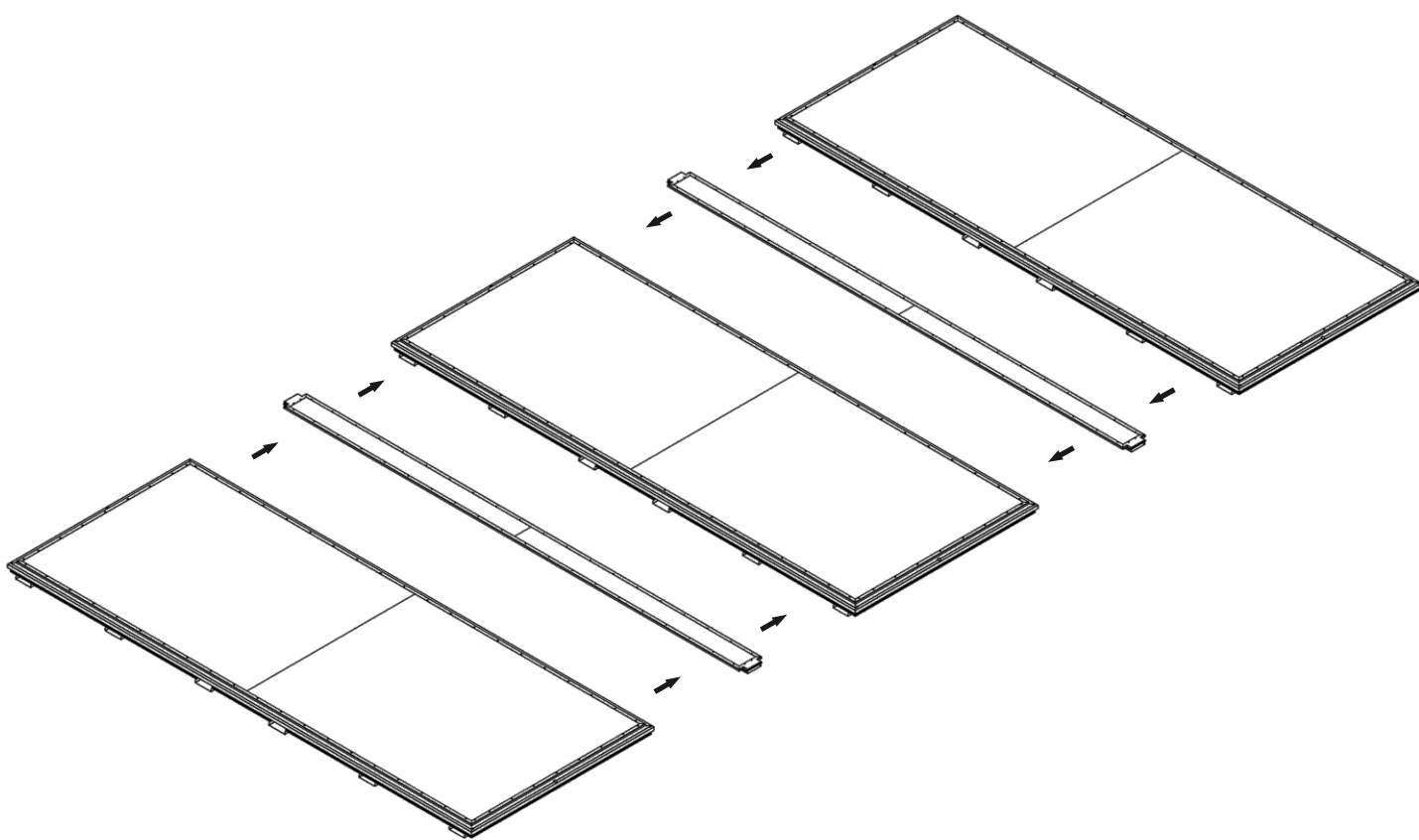
PRODUCT CODE :5055.110.430.440



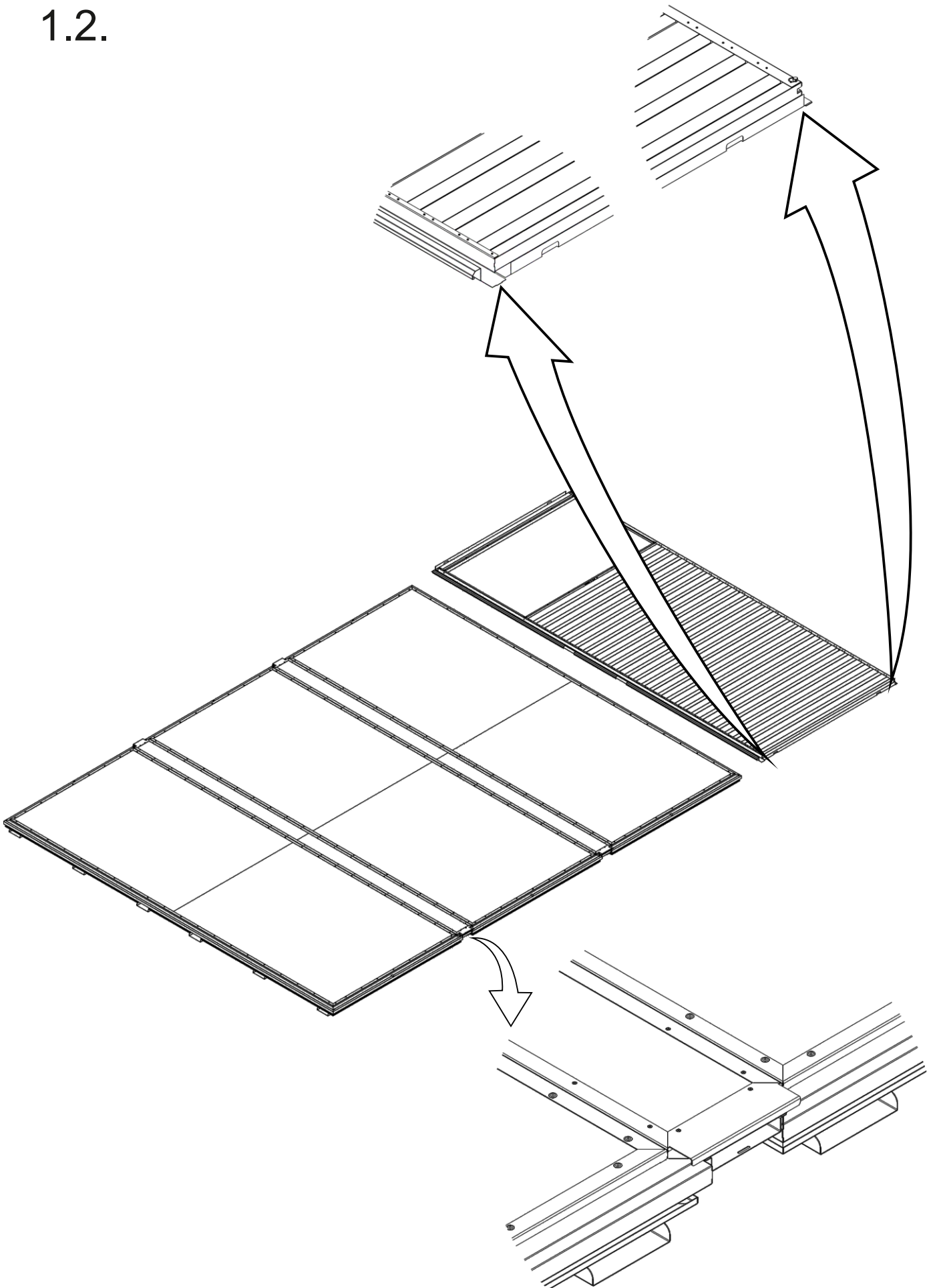
	36 pcs.
	2 pcs.
	2 pcs.
	20 pcs.
	20 pcs.
	20 pcs.



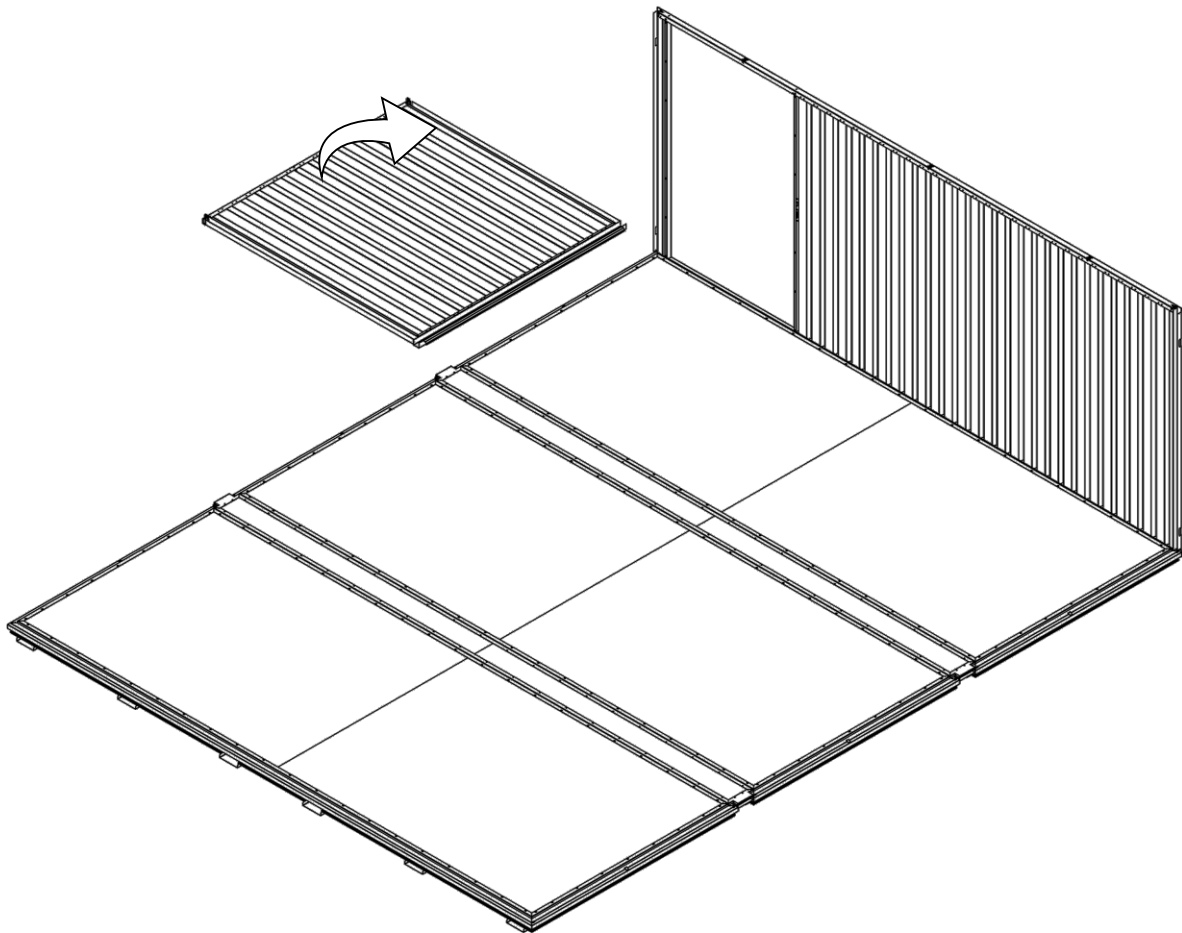
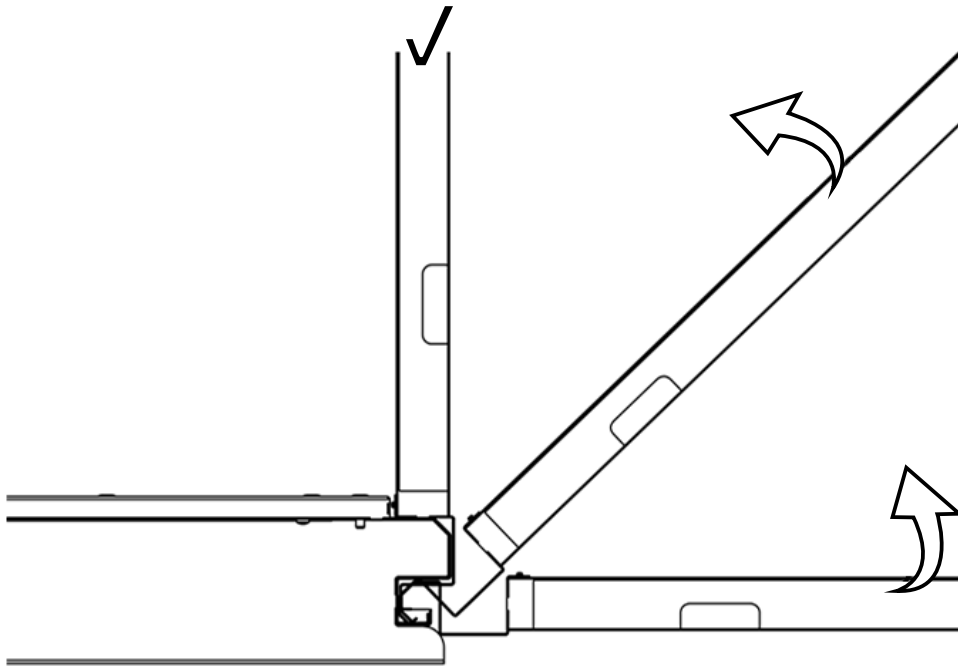
1.1.



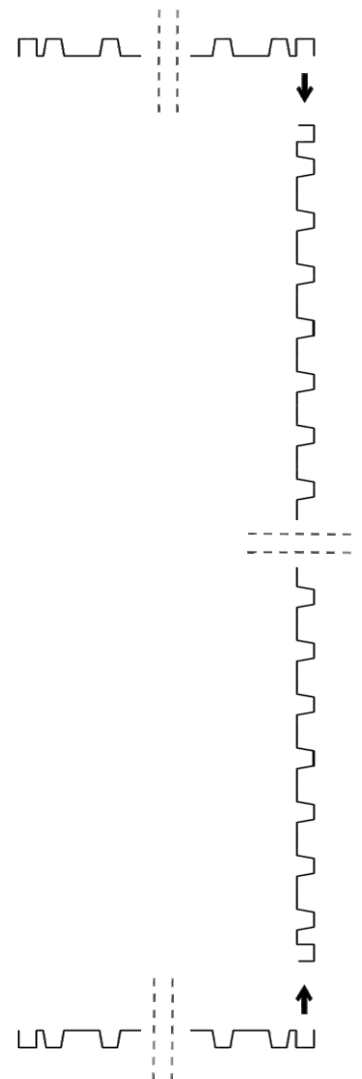
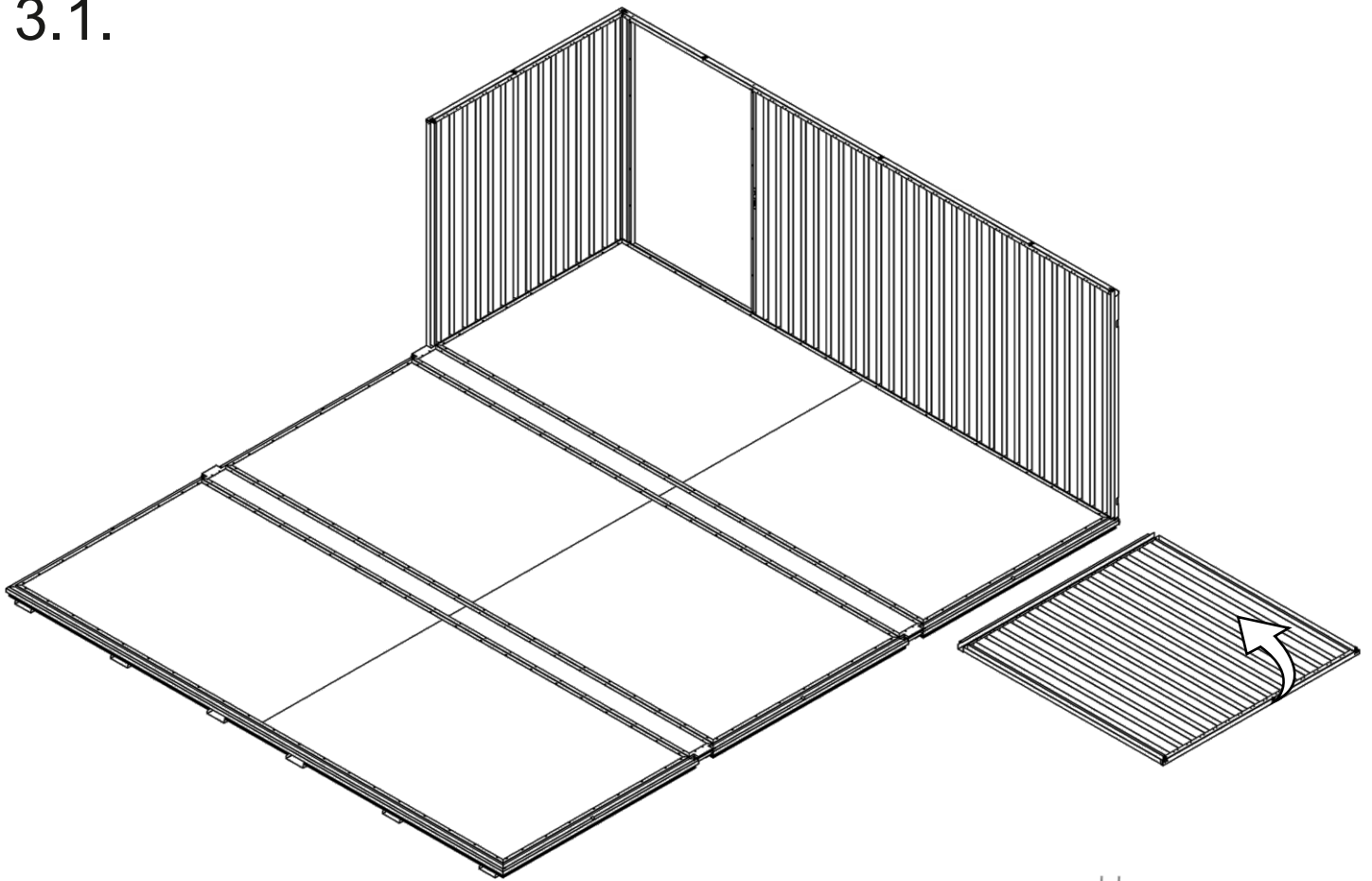
1.2.

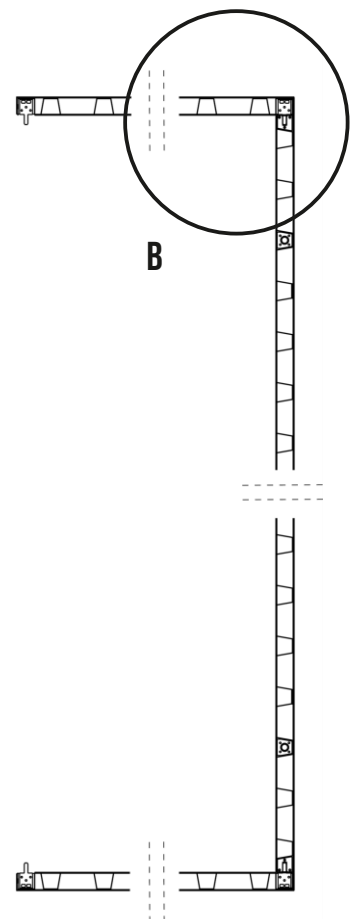
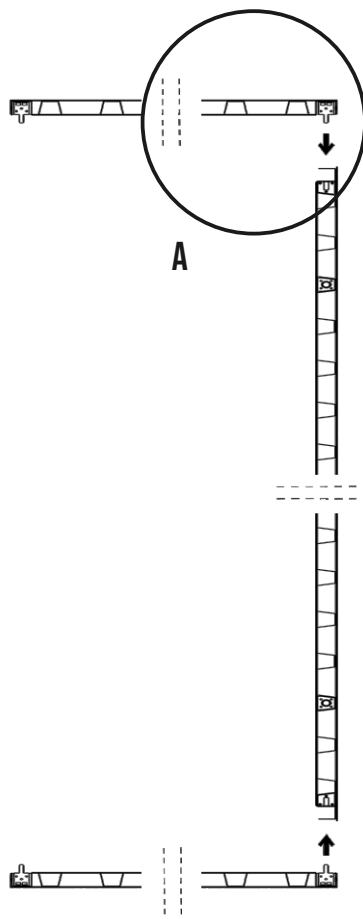
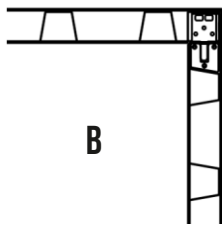
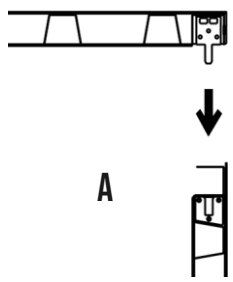


2.1.

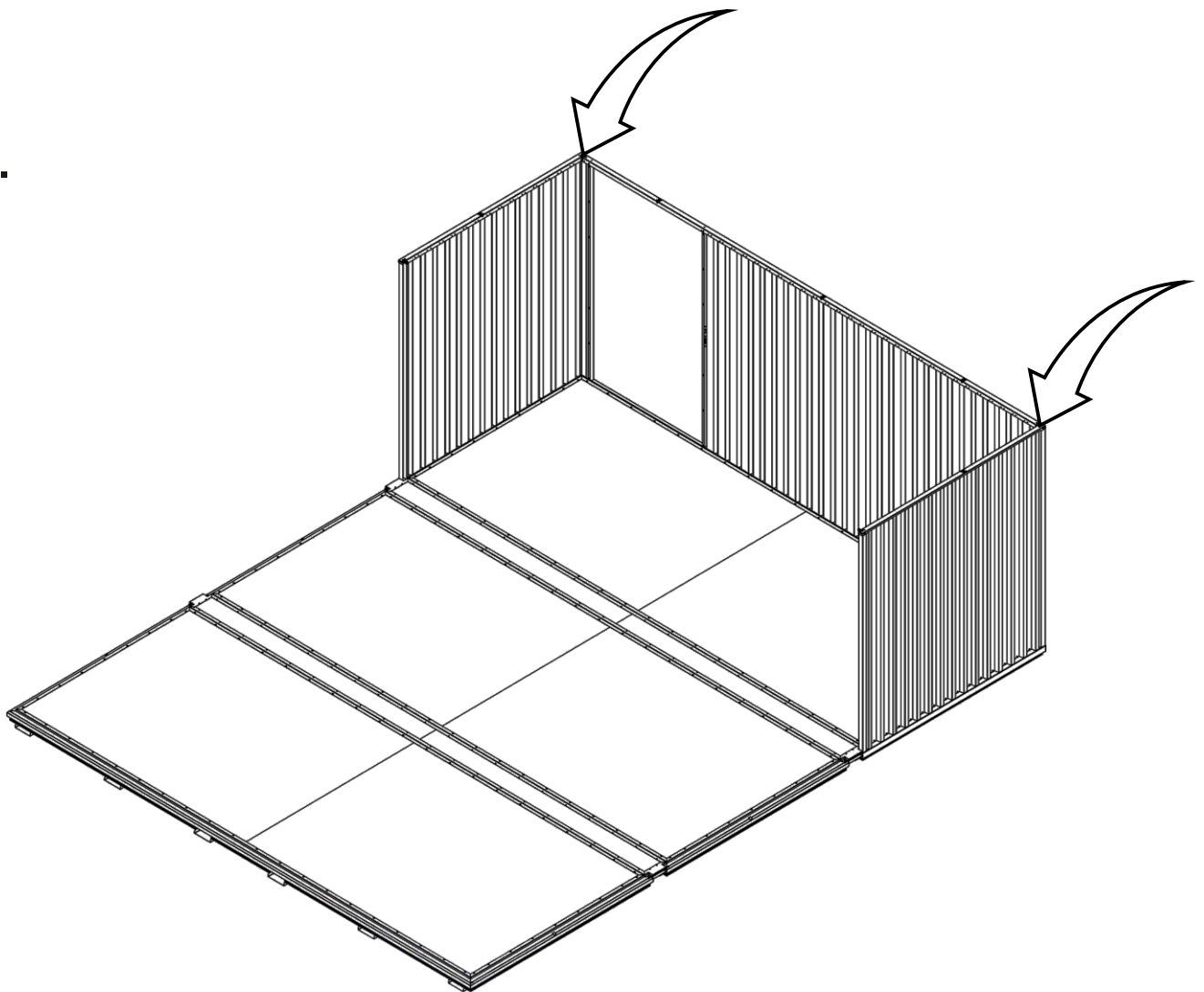


3.1.

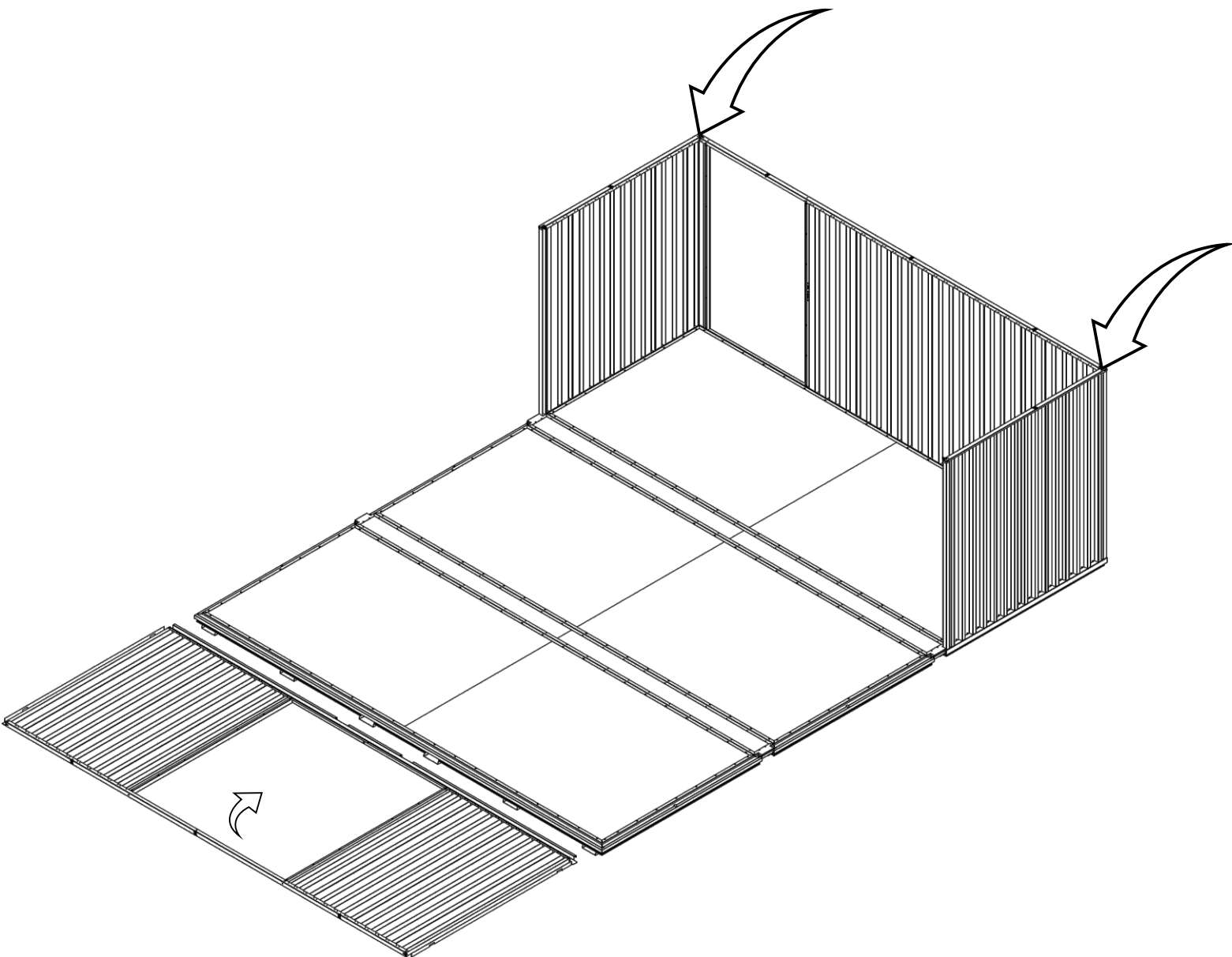
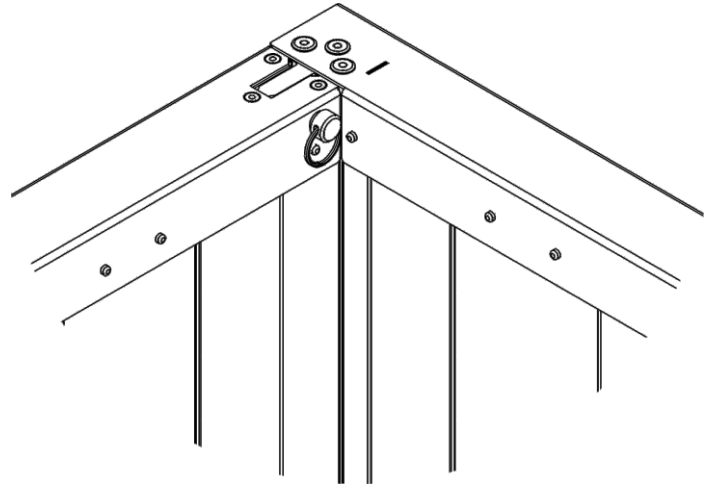
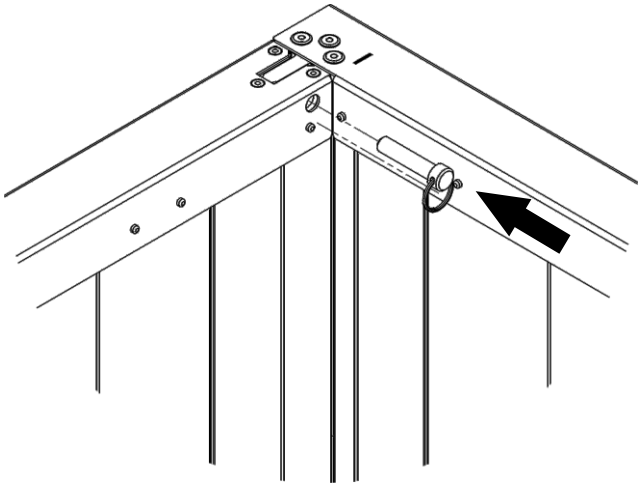




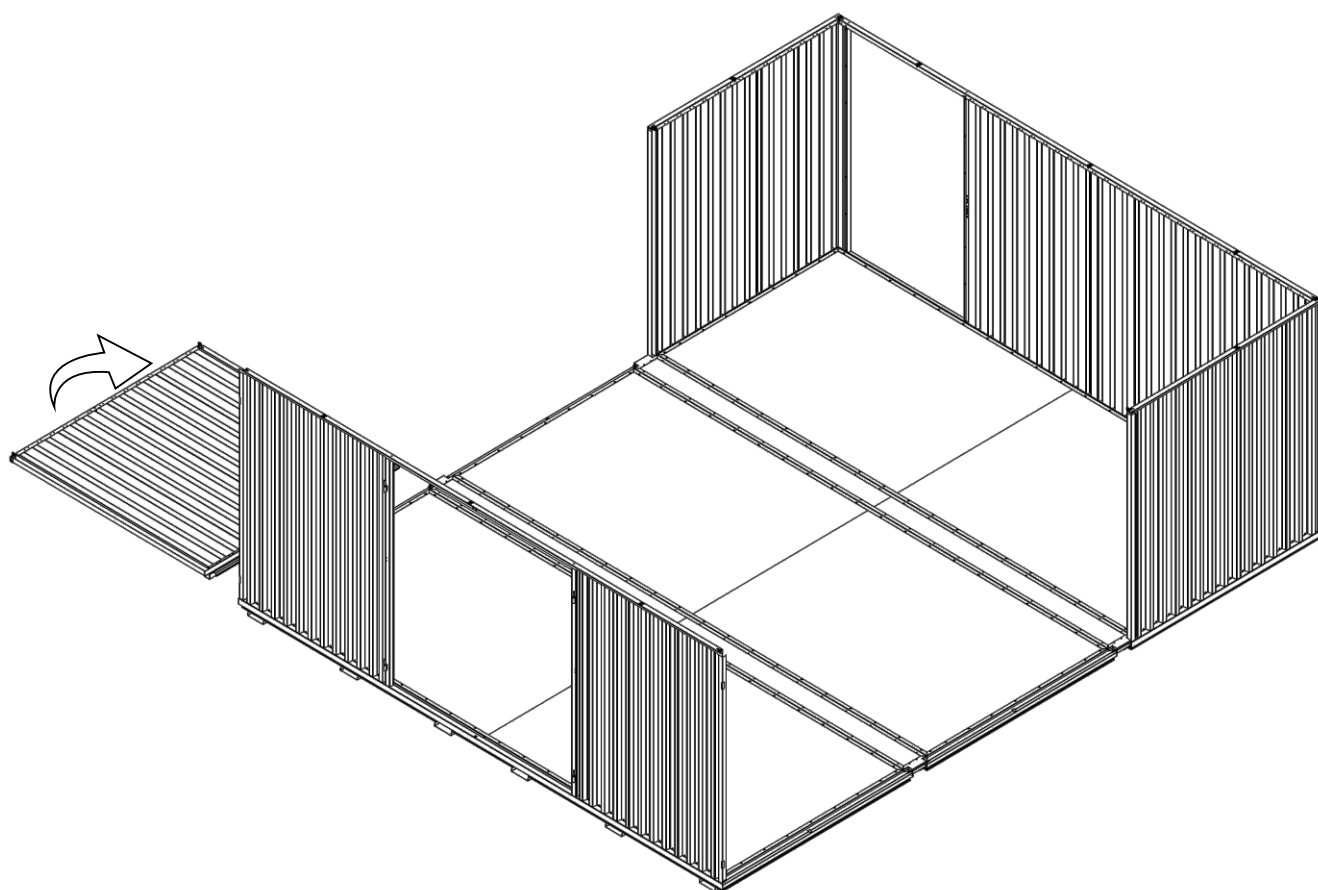
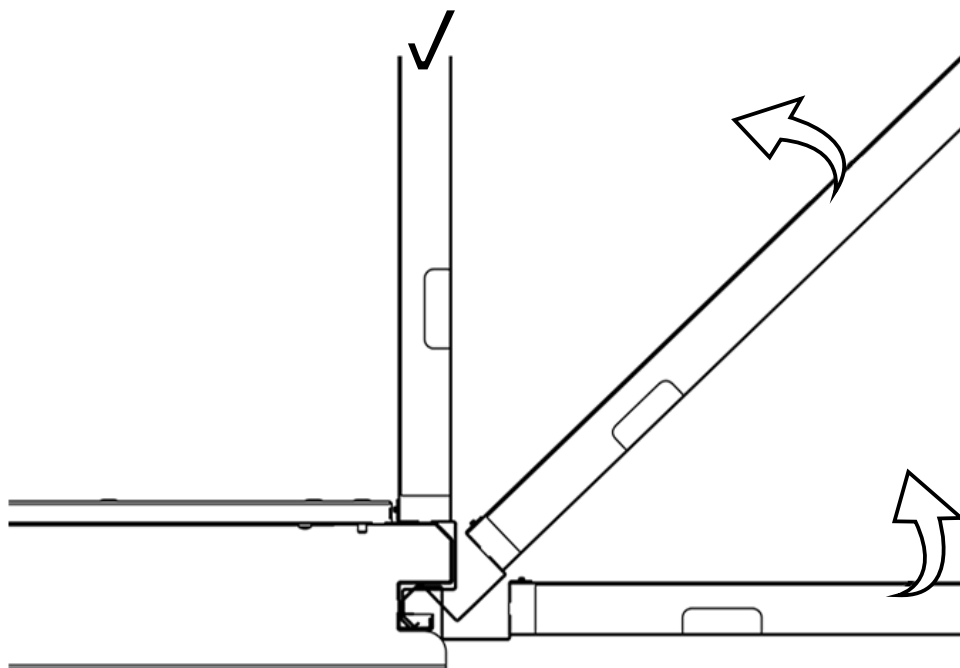
3.2.



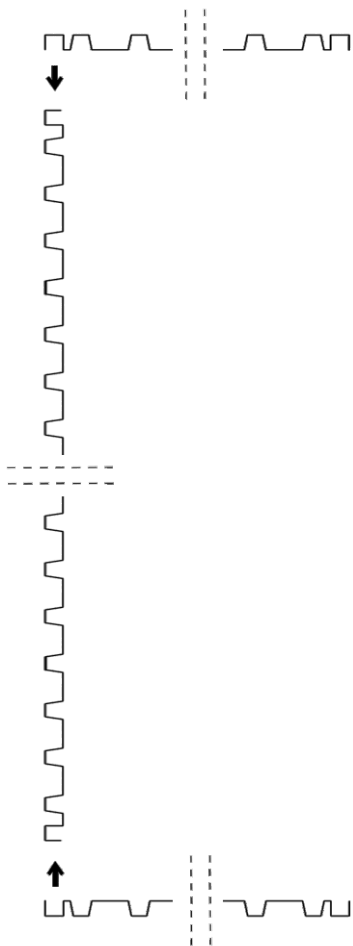
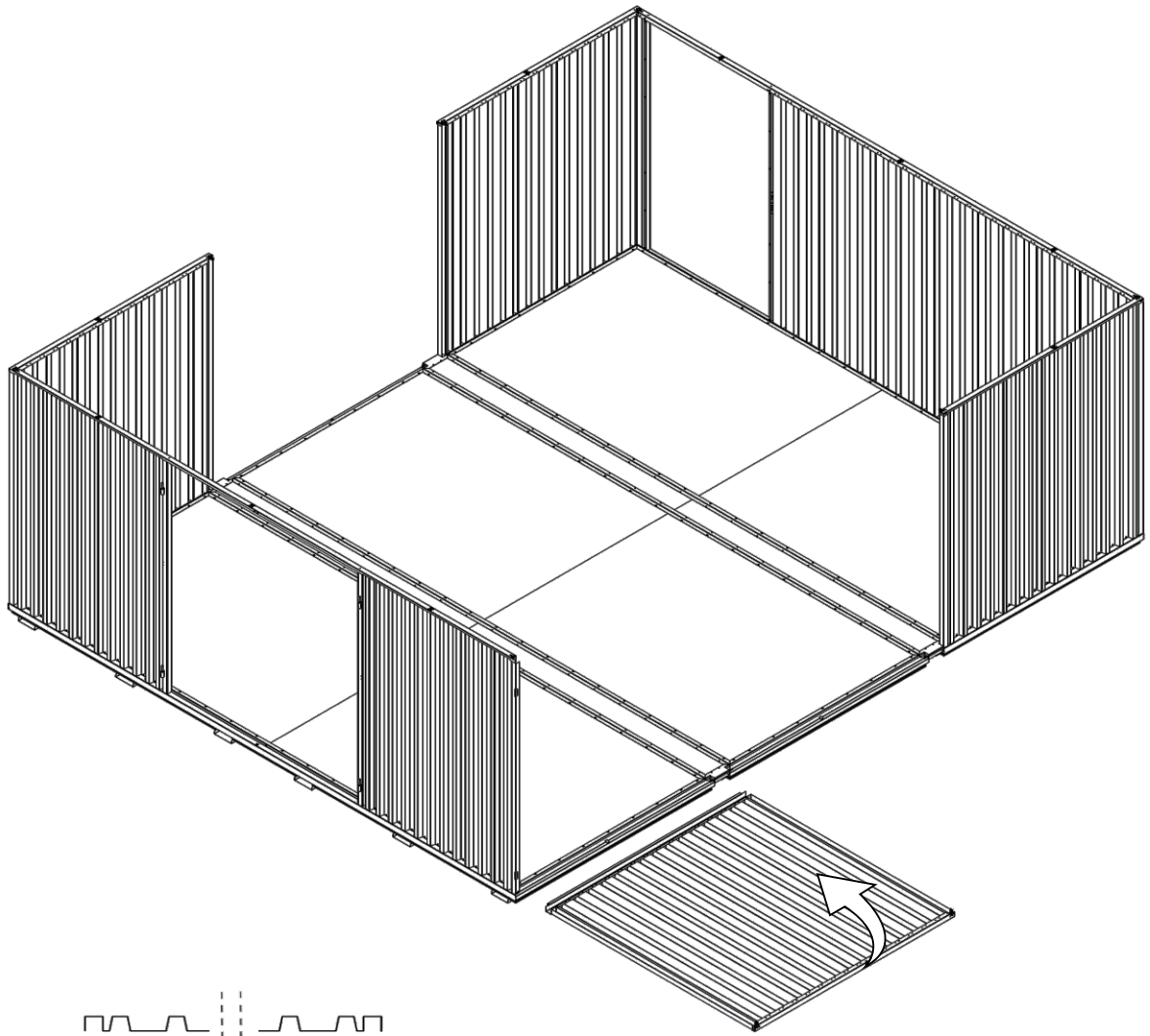
3.3.

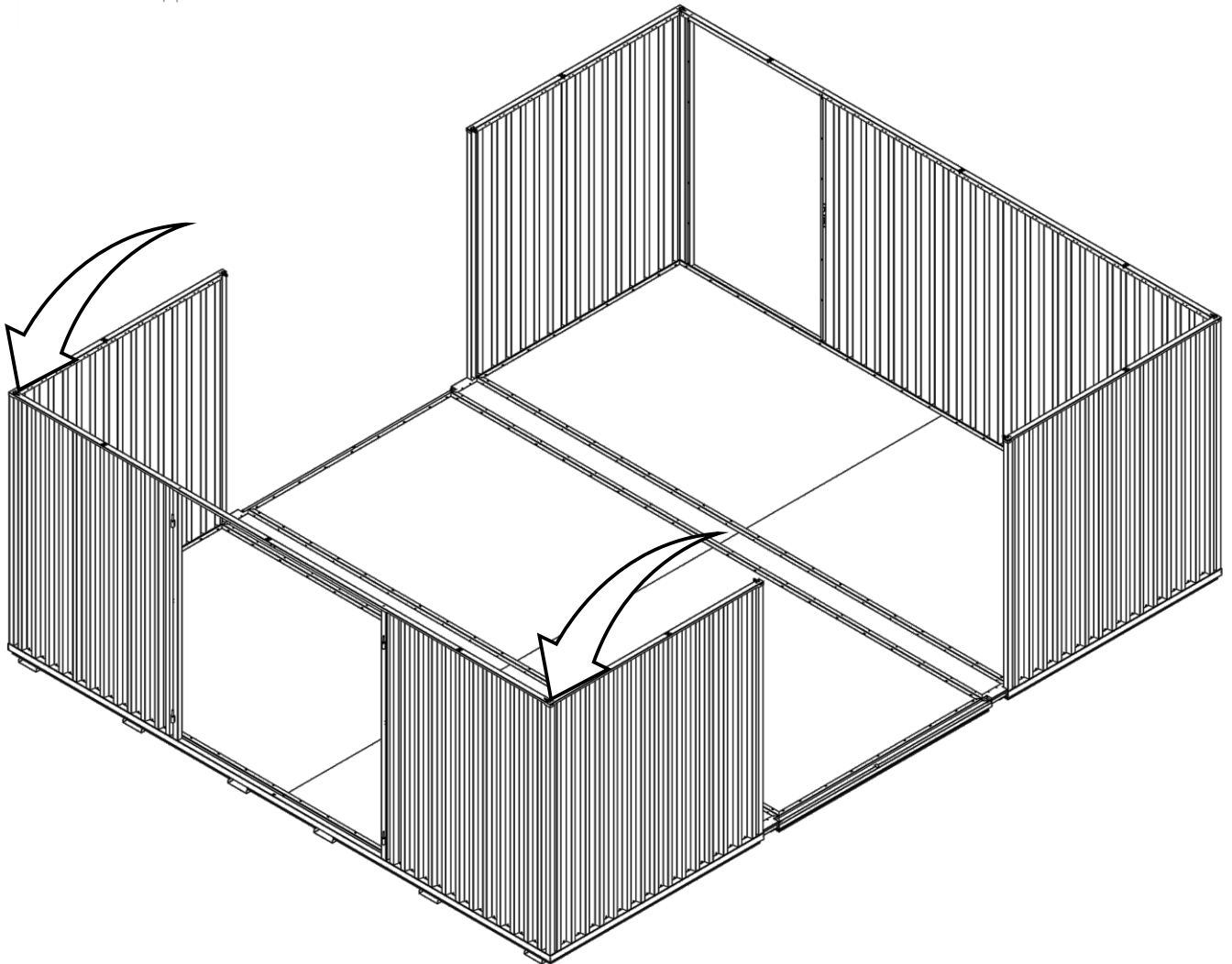
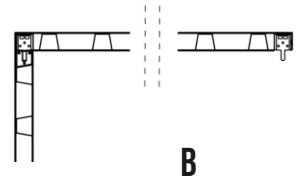
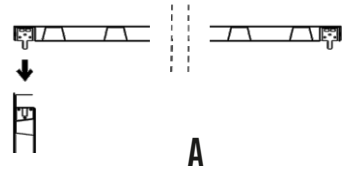
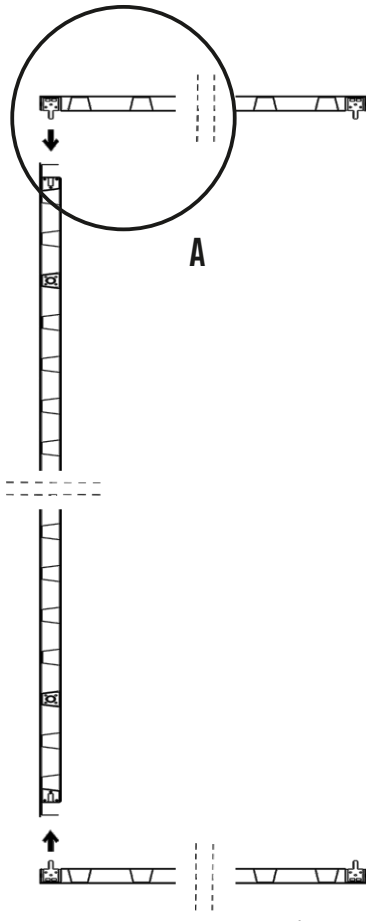
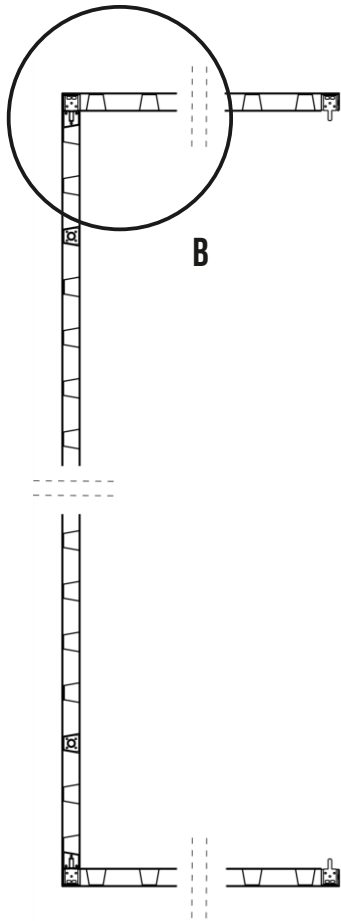


4.1.

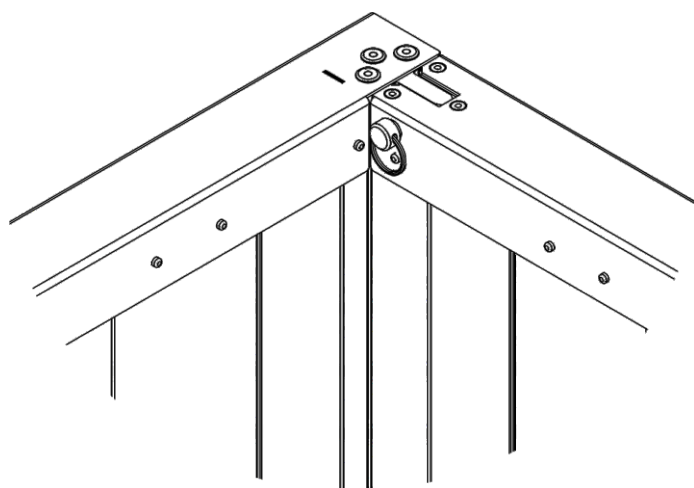
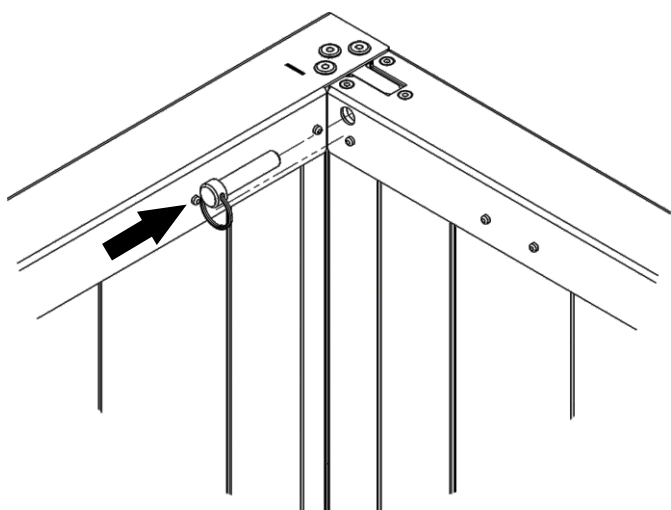
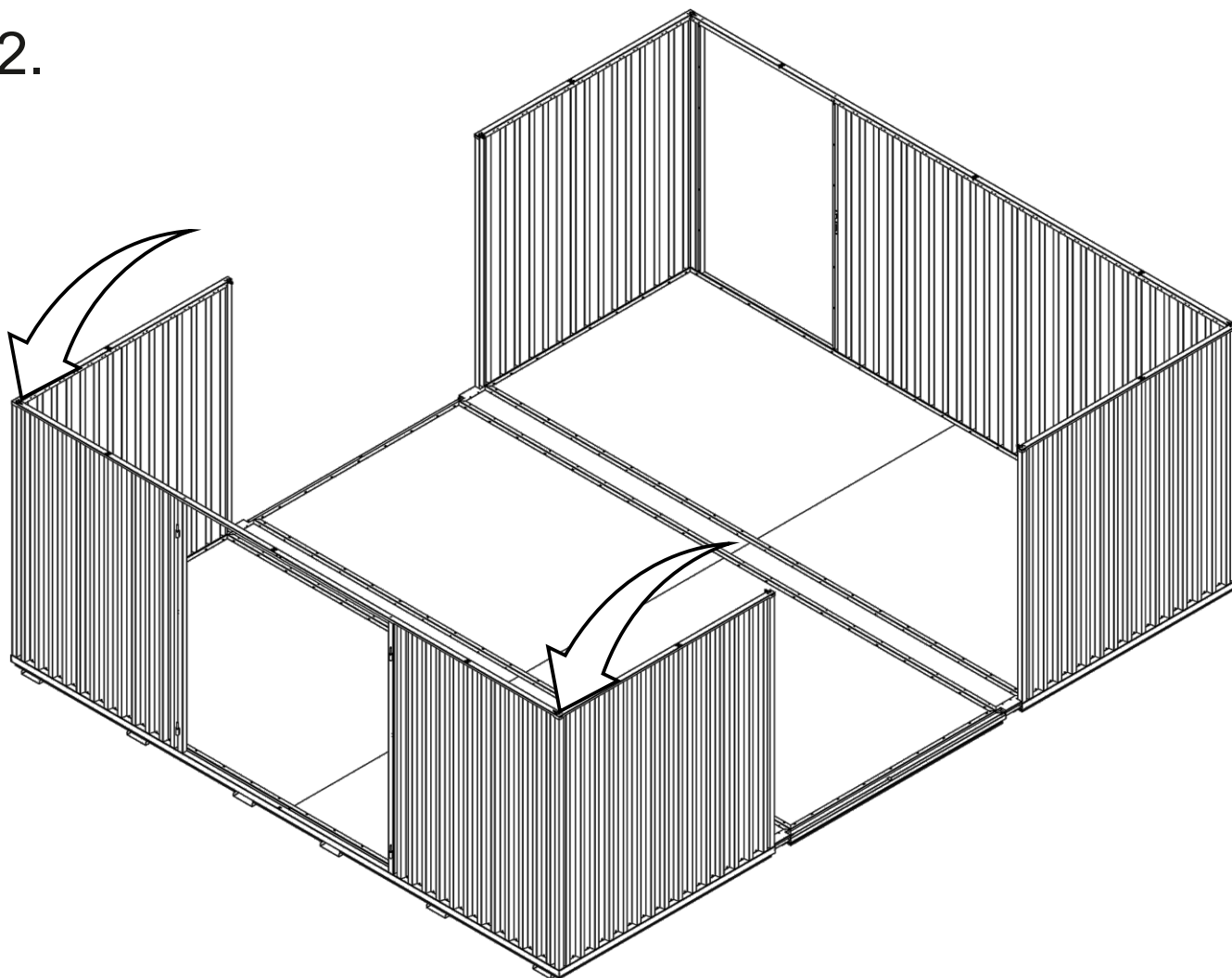


5.1.

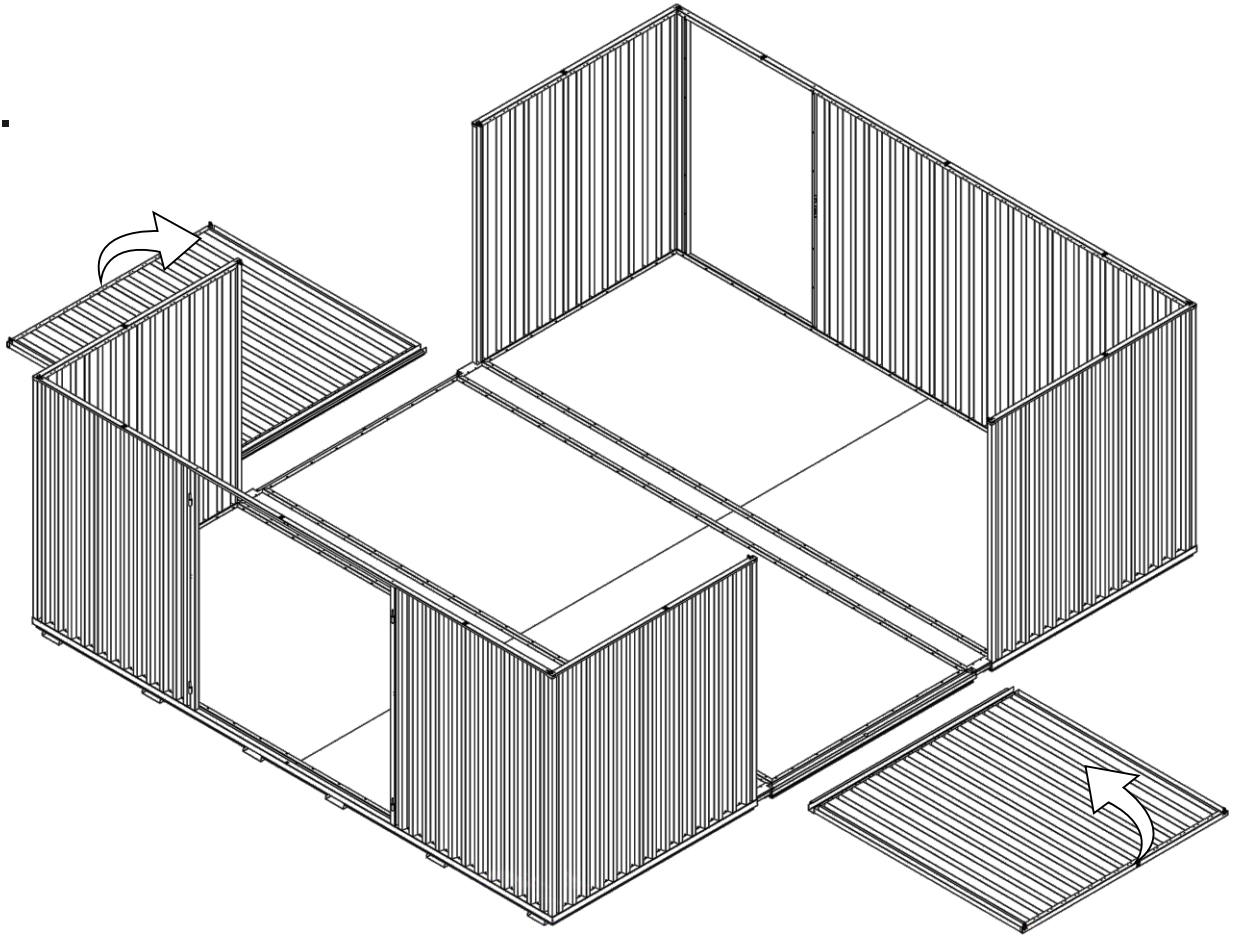




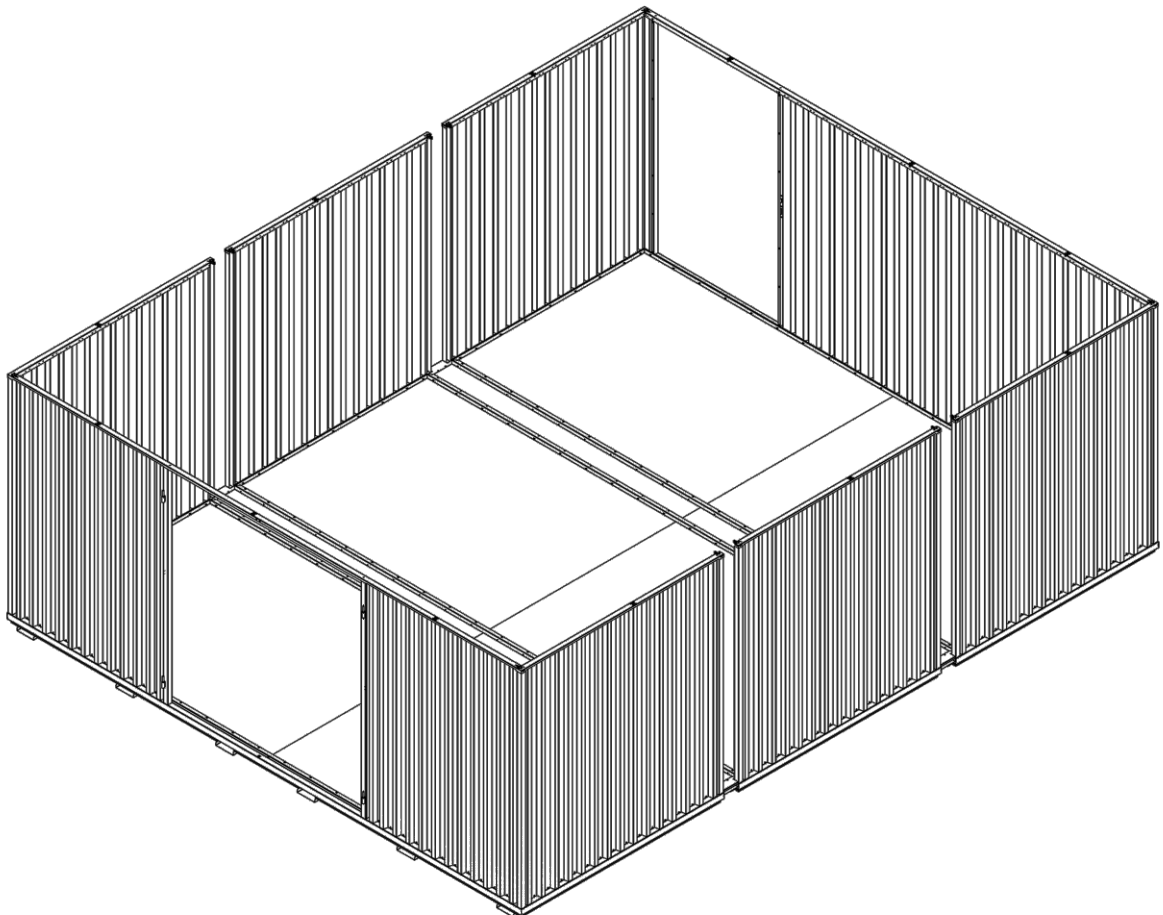
5.2.



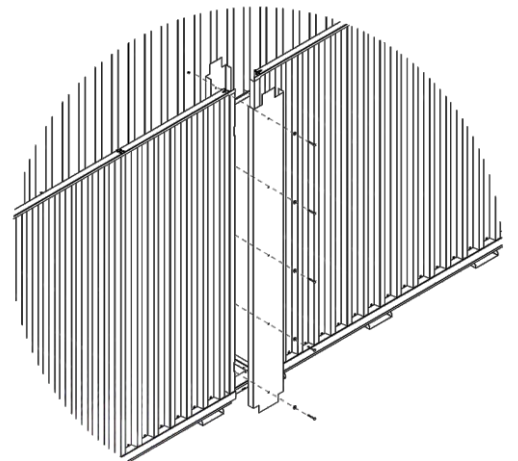
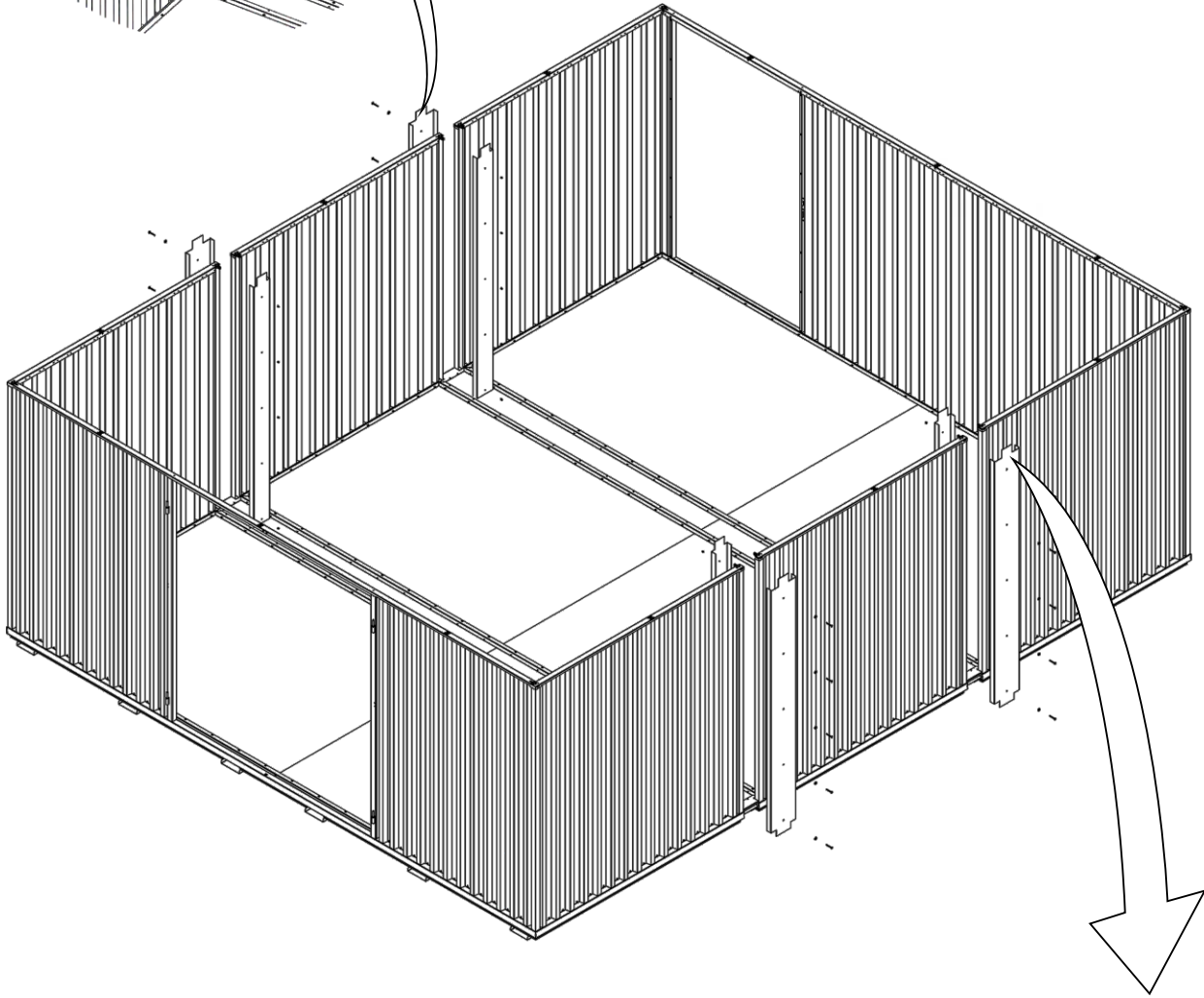
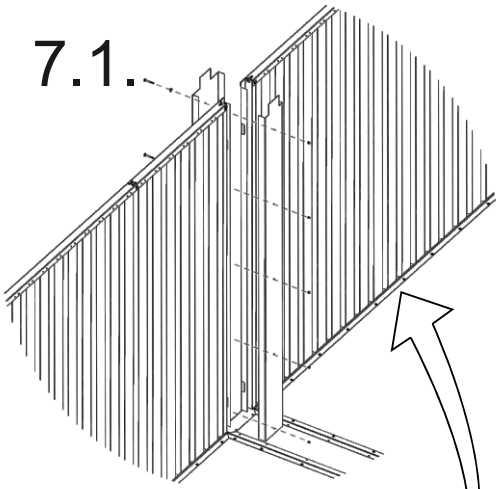
6.1.



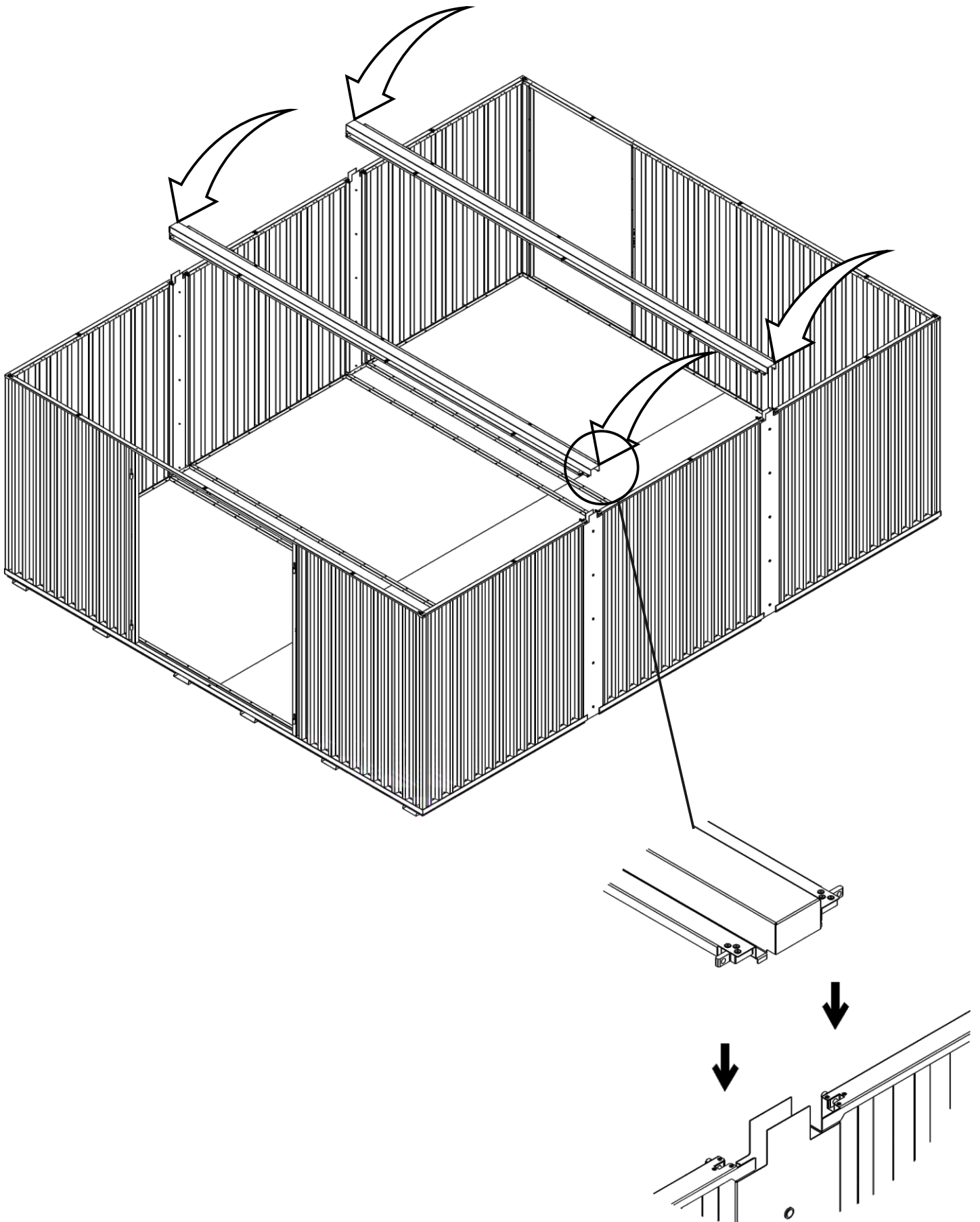
6.2.



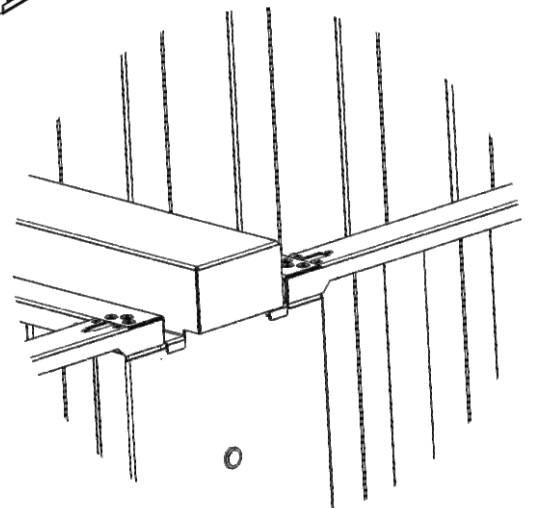
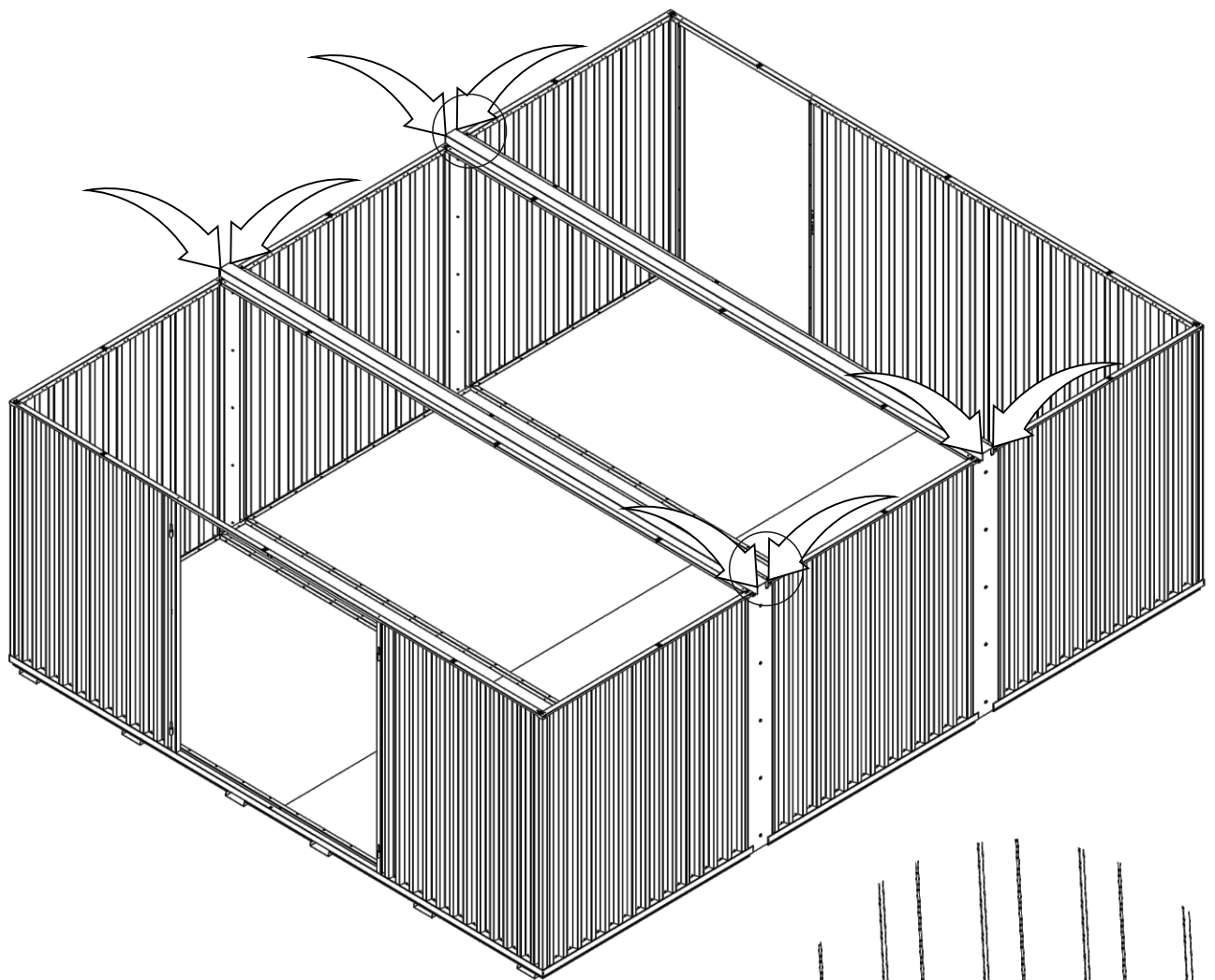
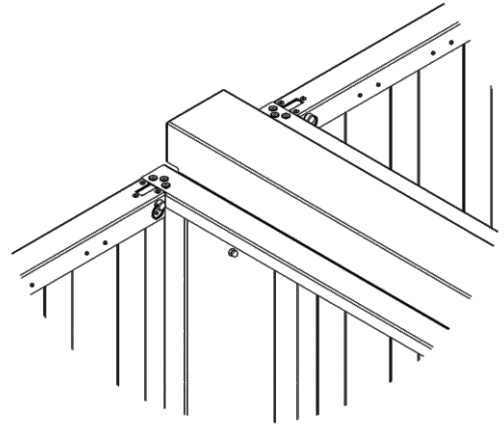
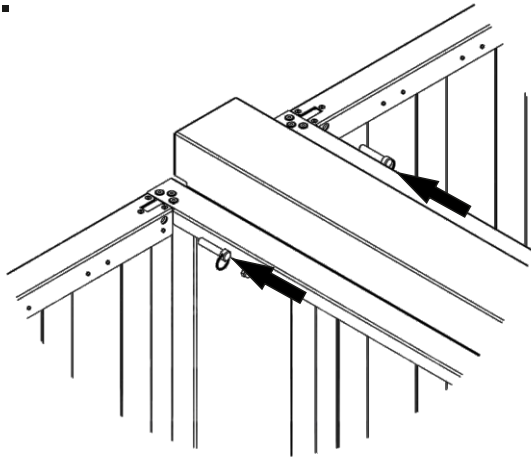
7.1.










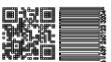
8.1.

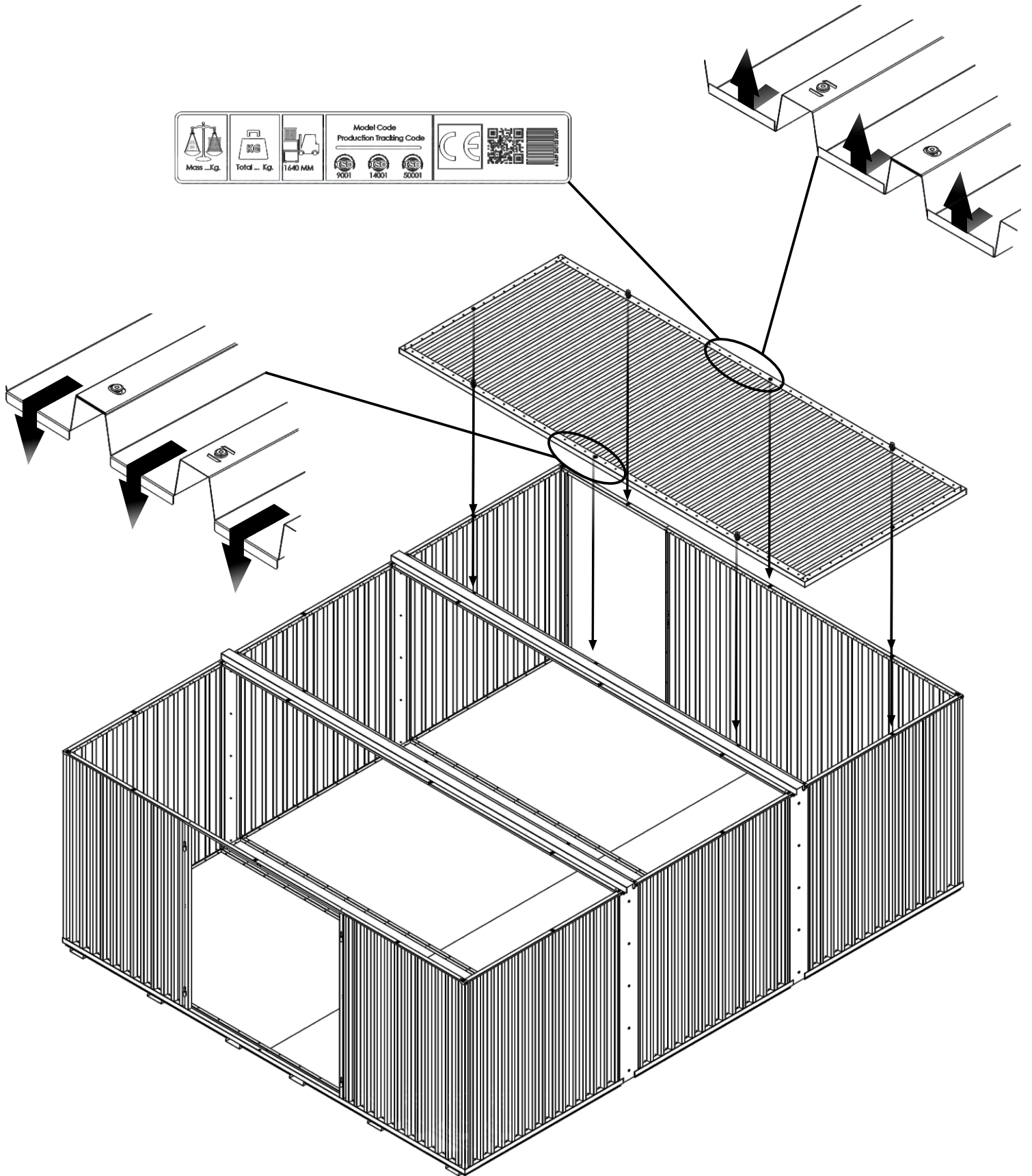


8.2.

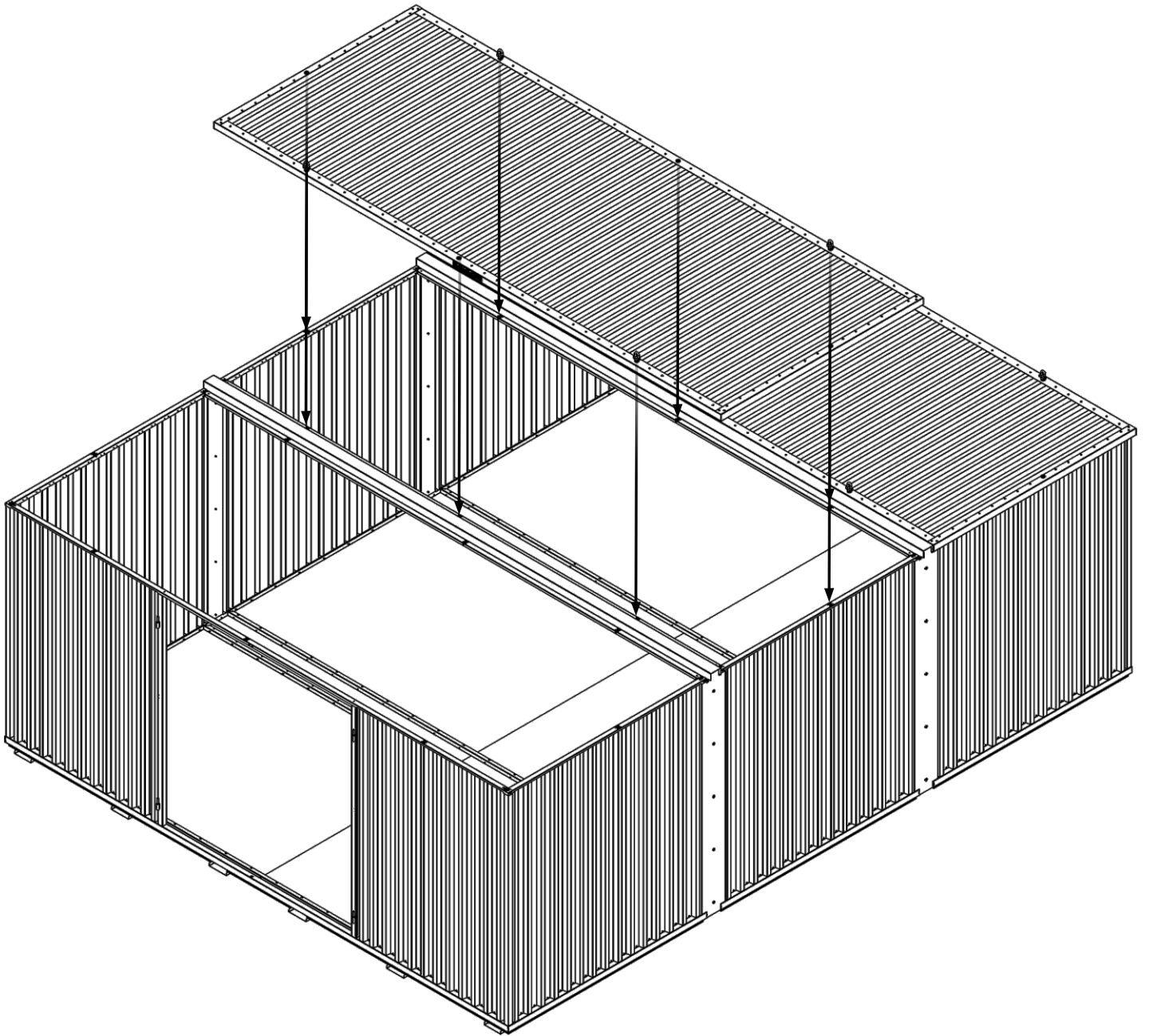


9.1.

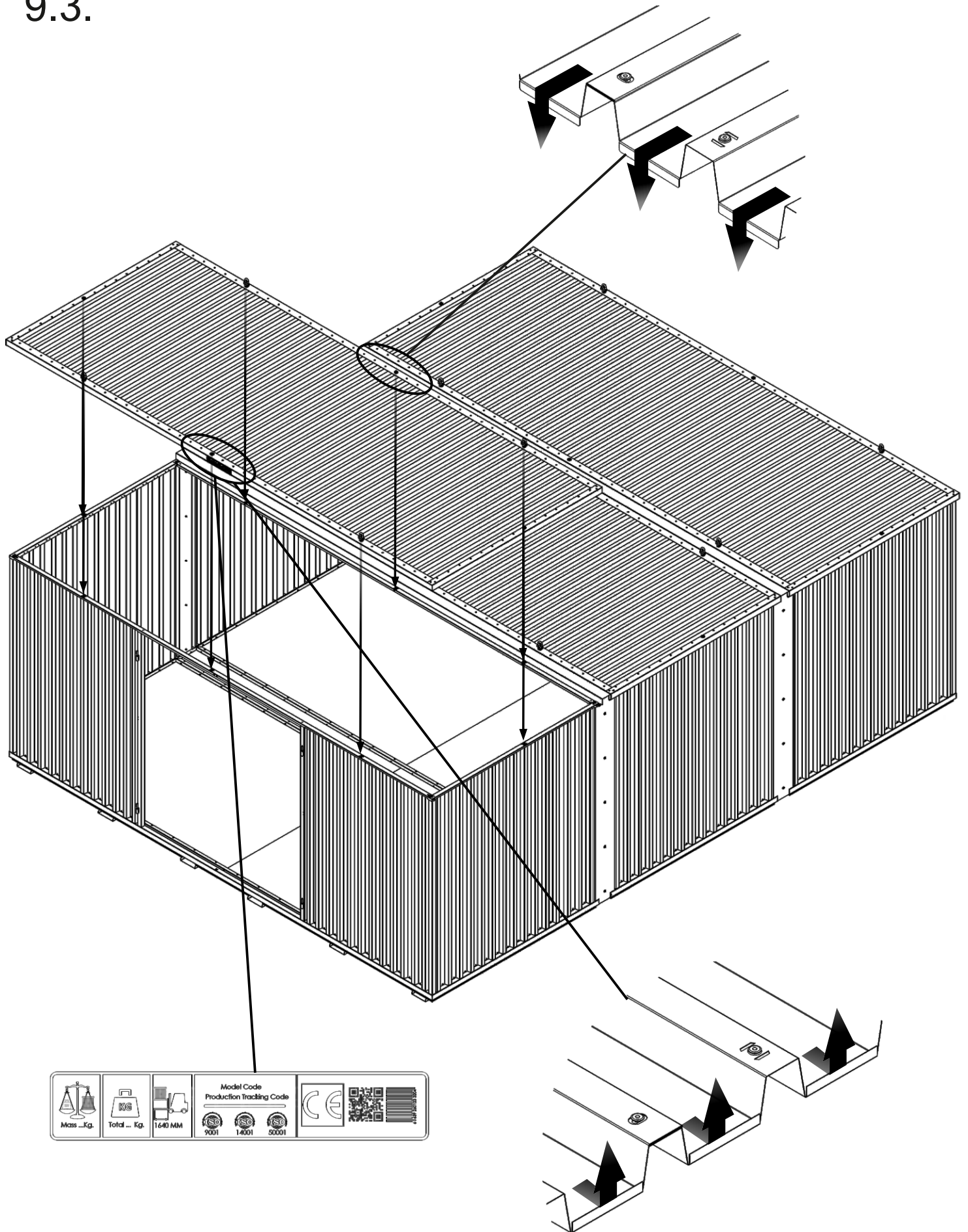
 Mass ...Kg.	 Total ... Kg.	 1640 MM	Model Code Production Tracking Code  9001  14001  50001		
--	--	--	--	---	---

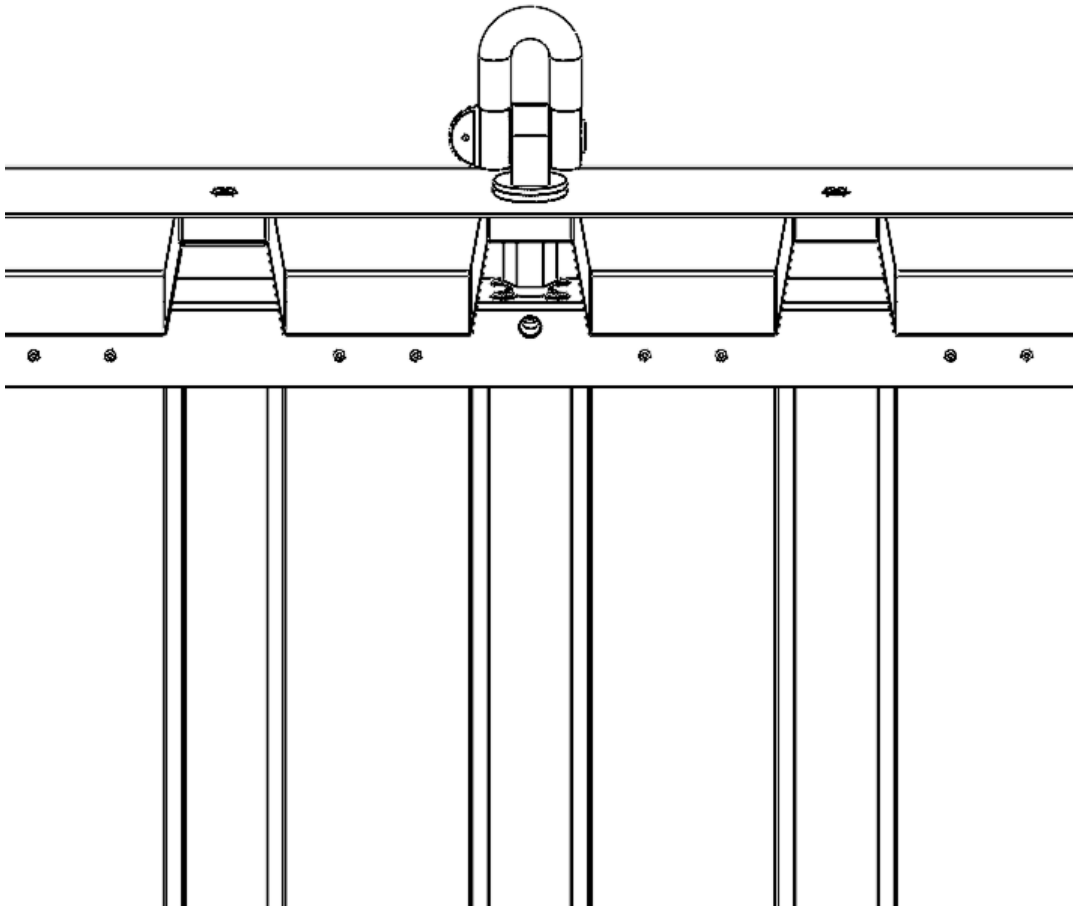
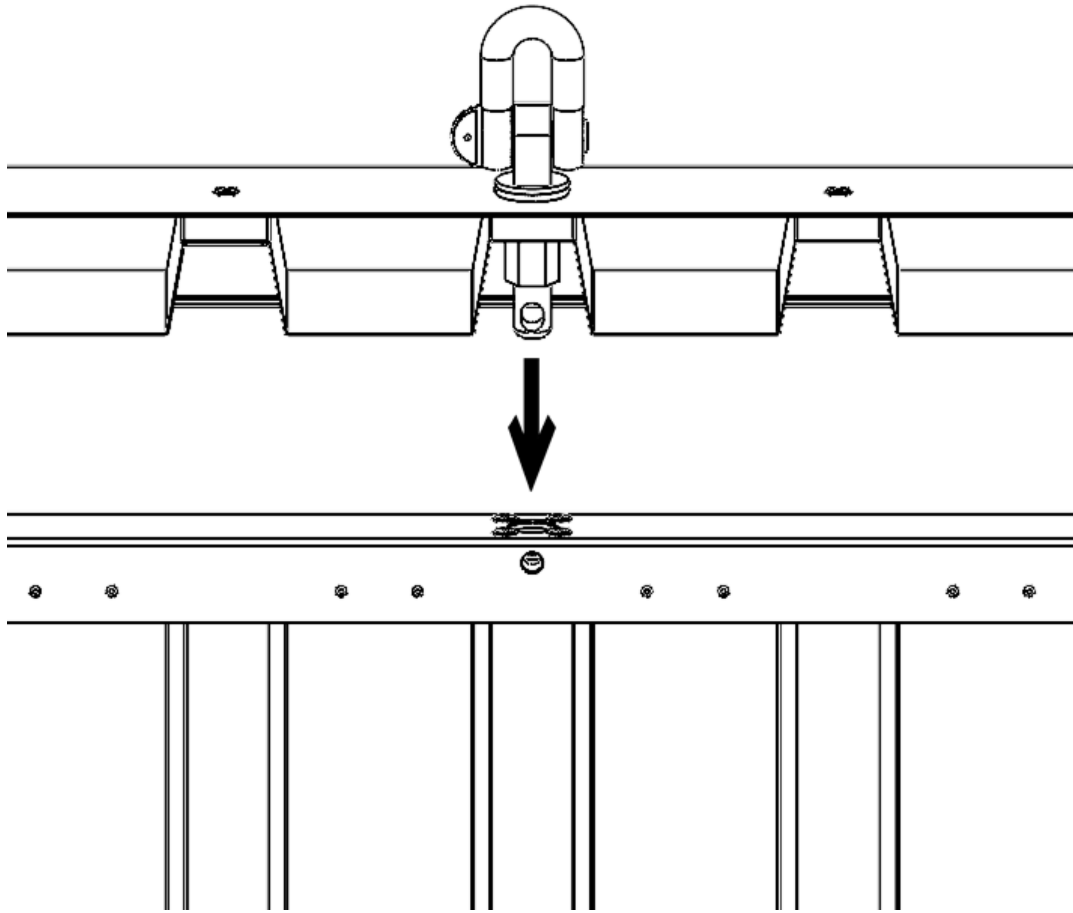


9.2.

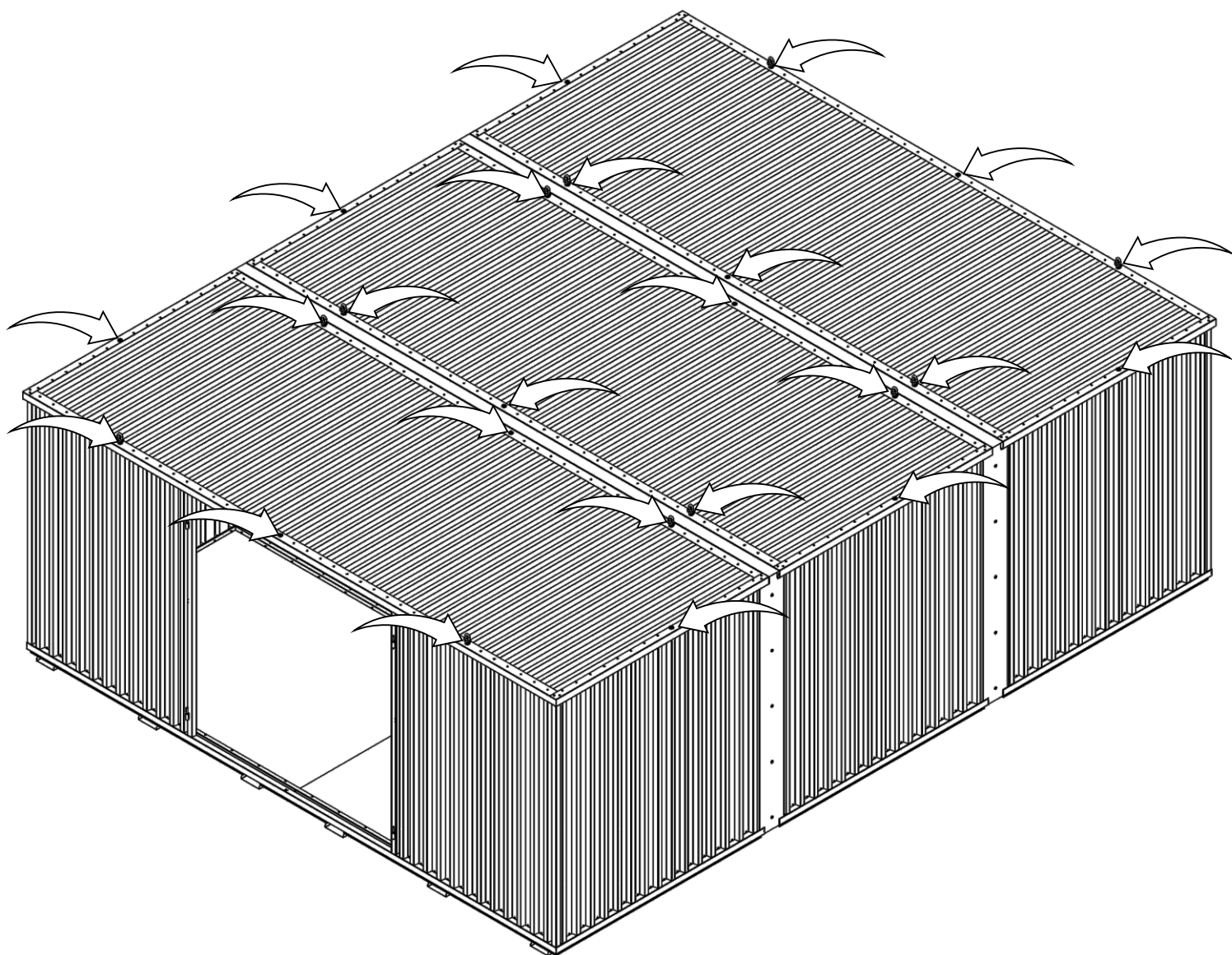


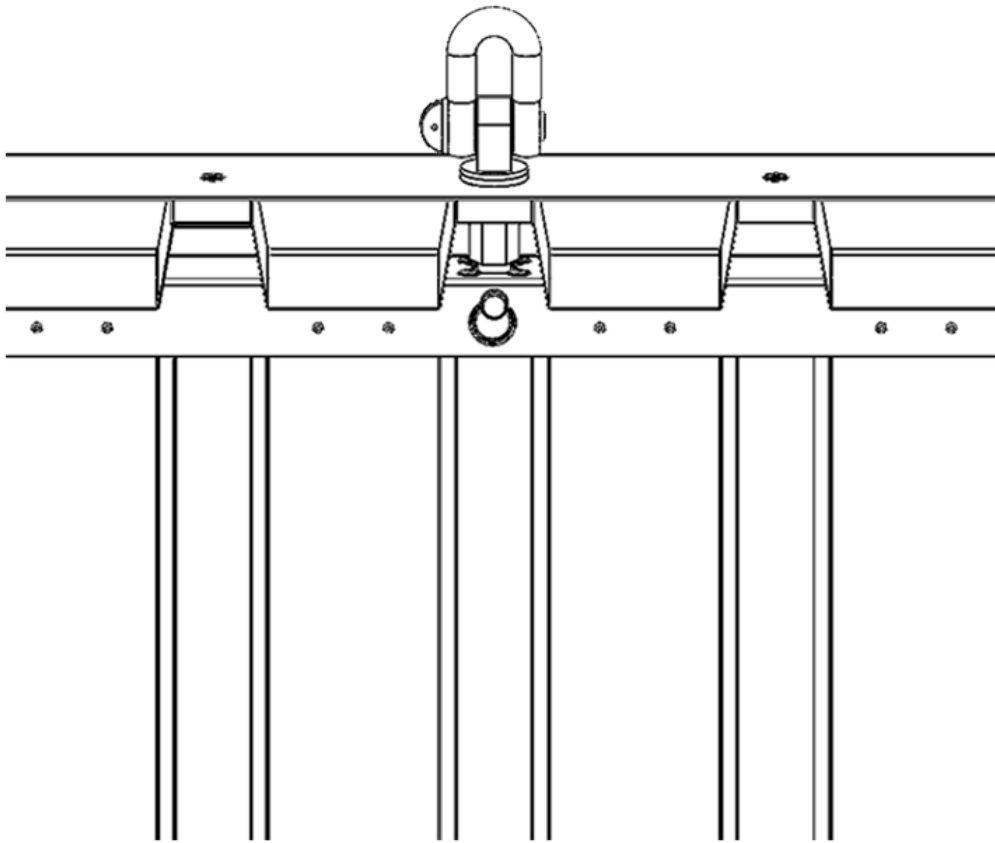
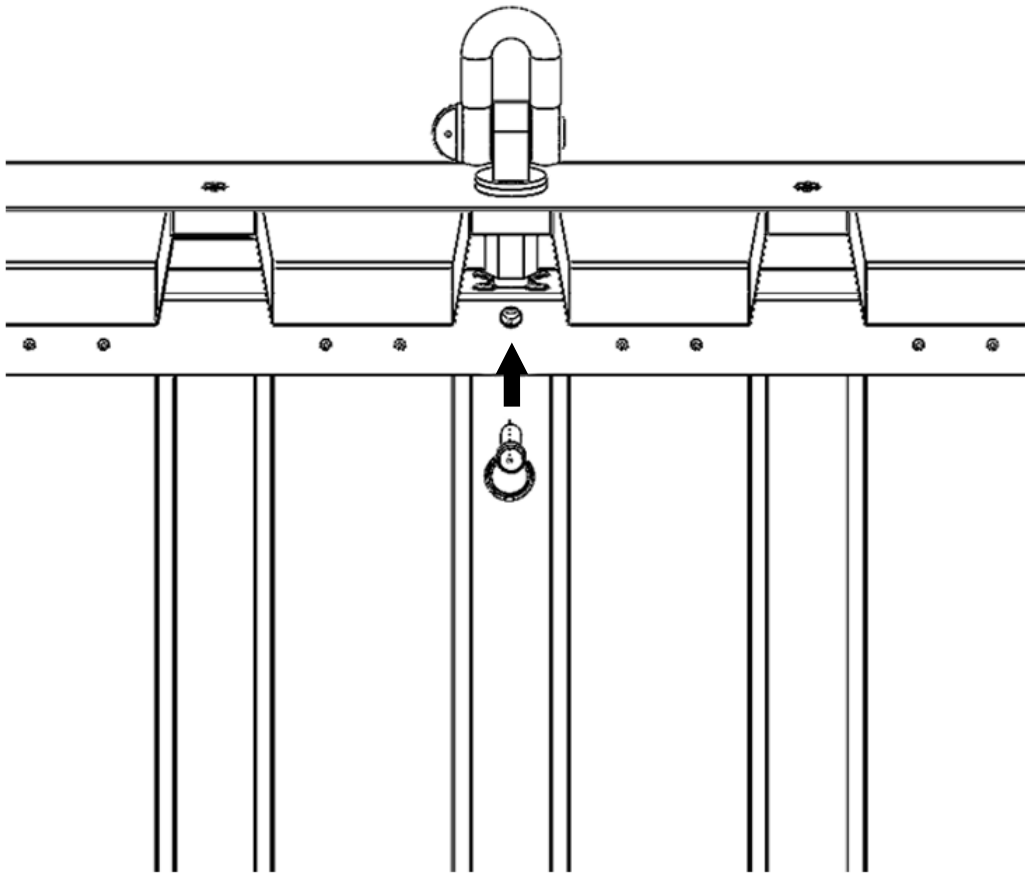
9.3.



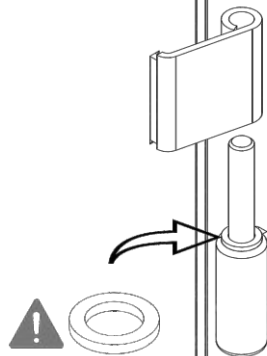
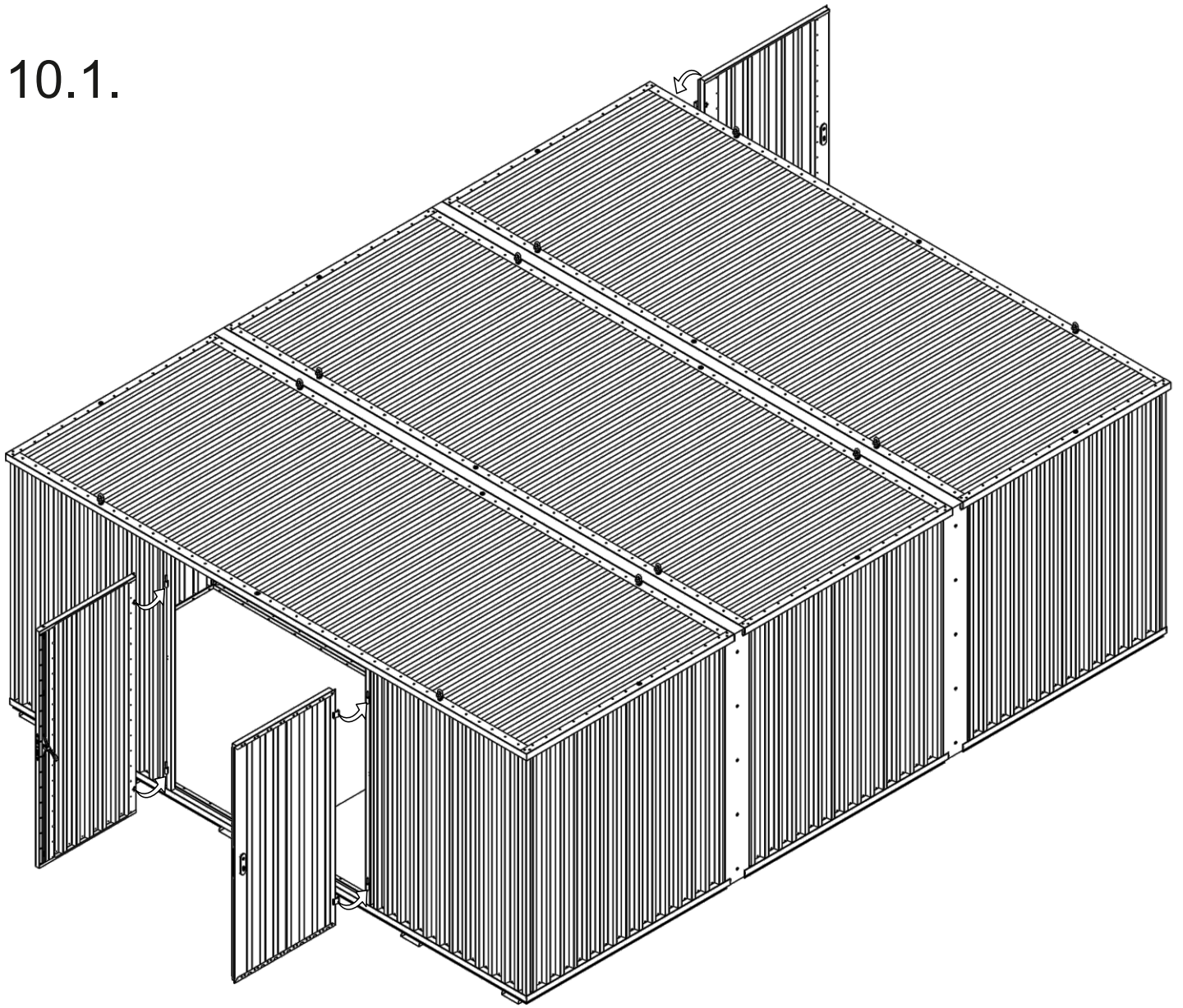


9.4.

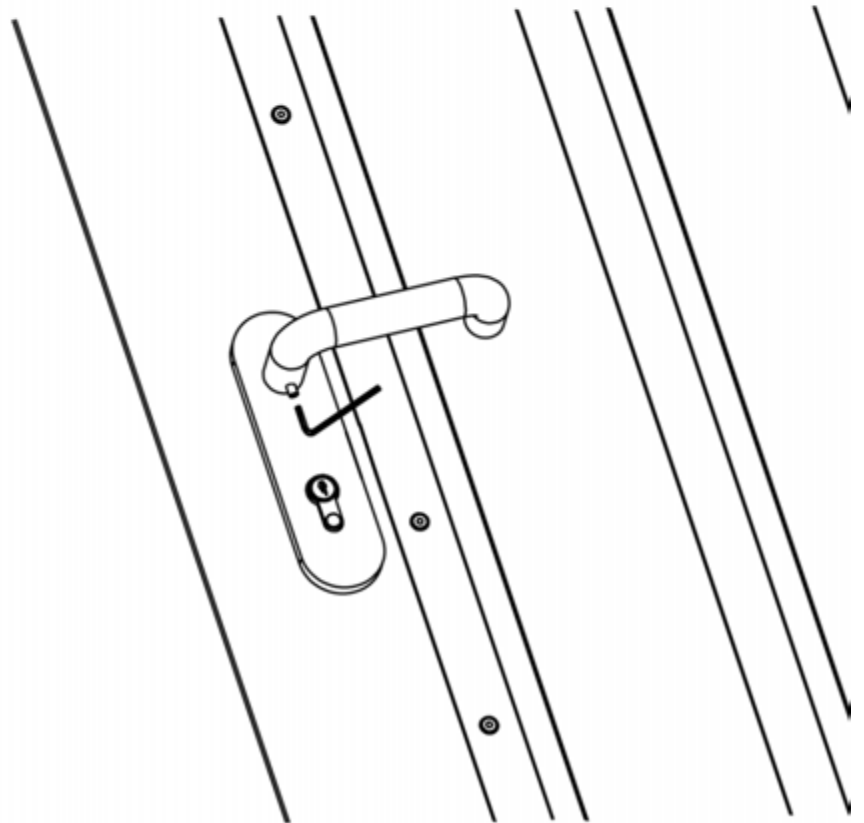
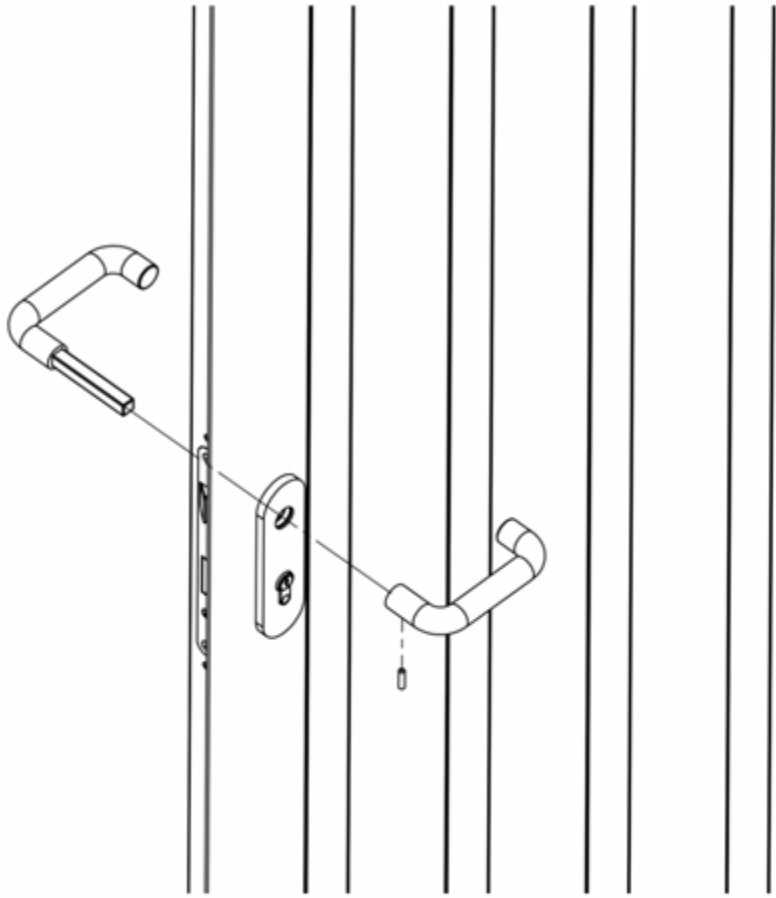




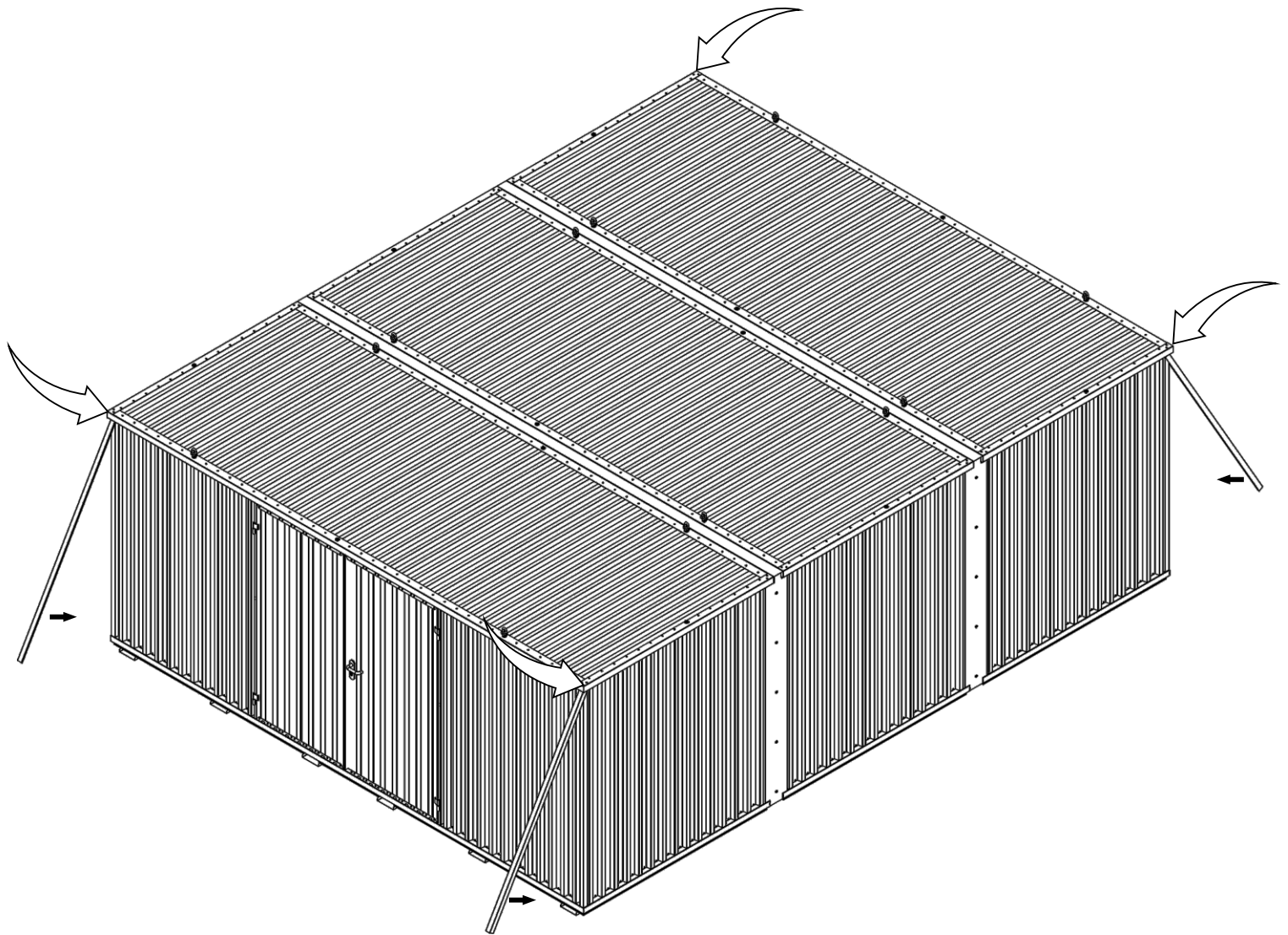
10.1.



10.2.



11.1.



12.1.

