



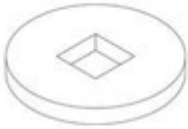

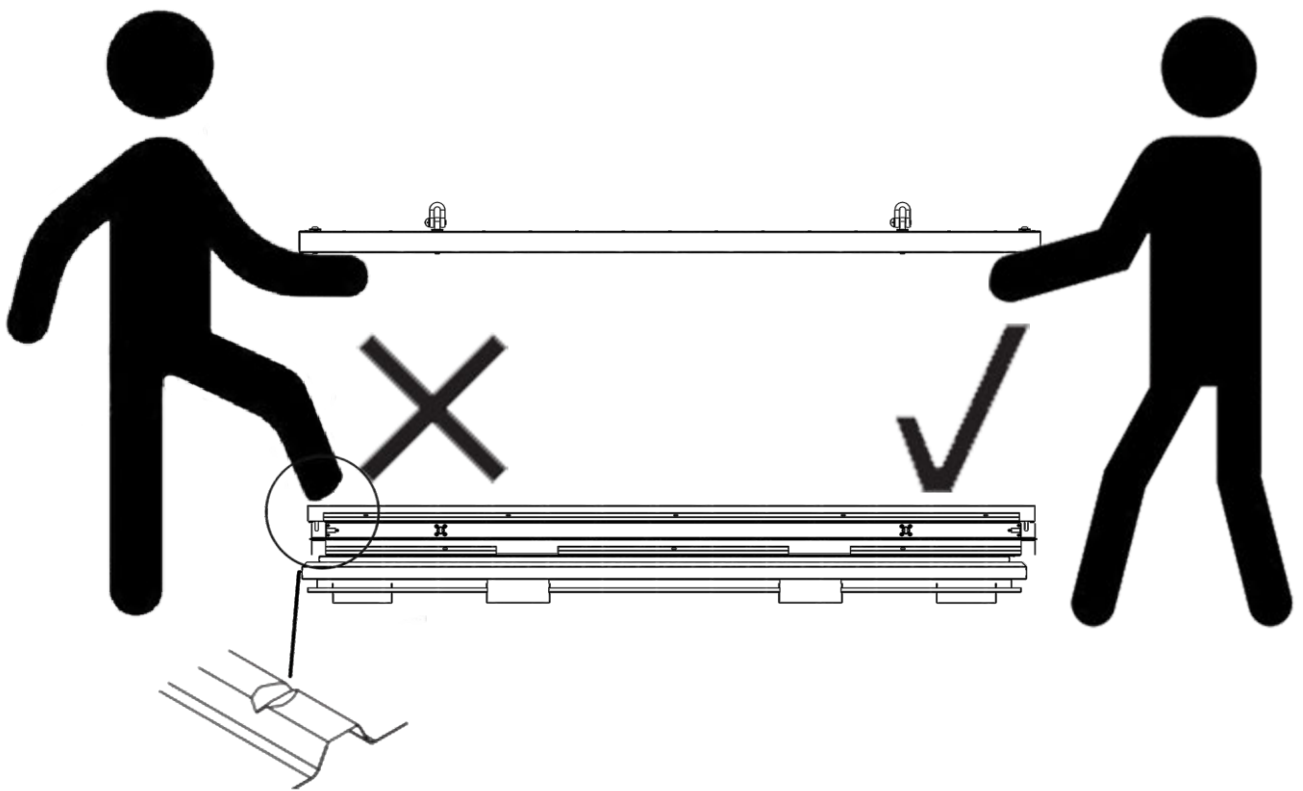
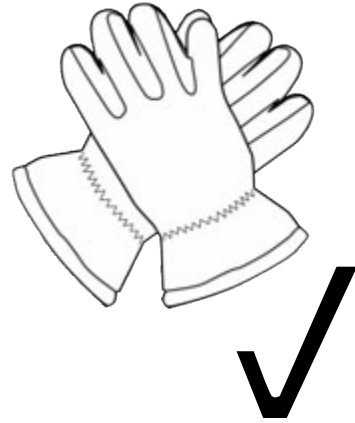


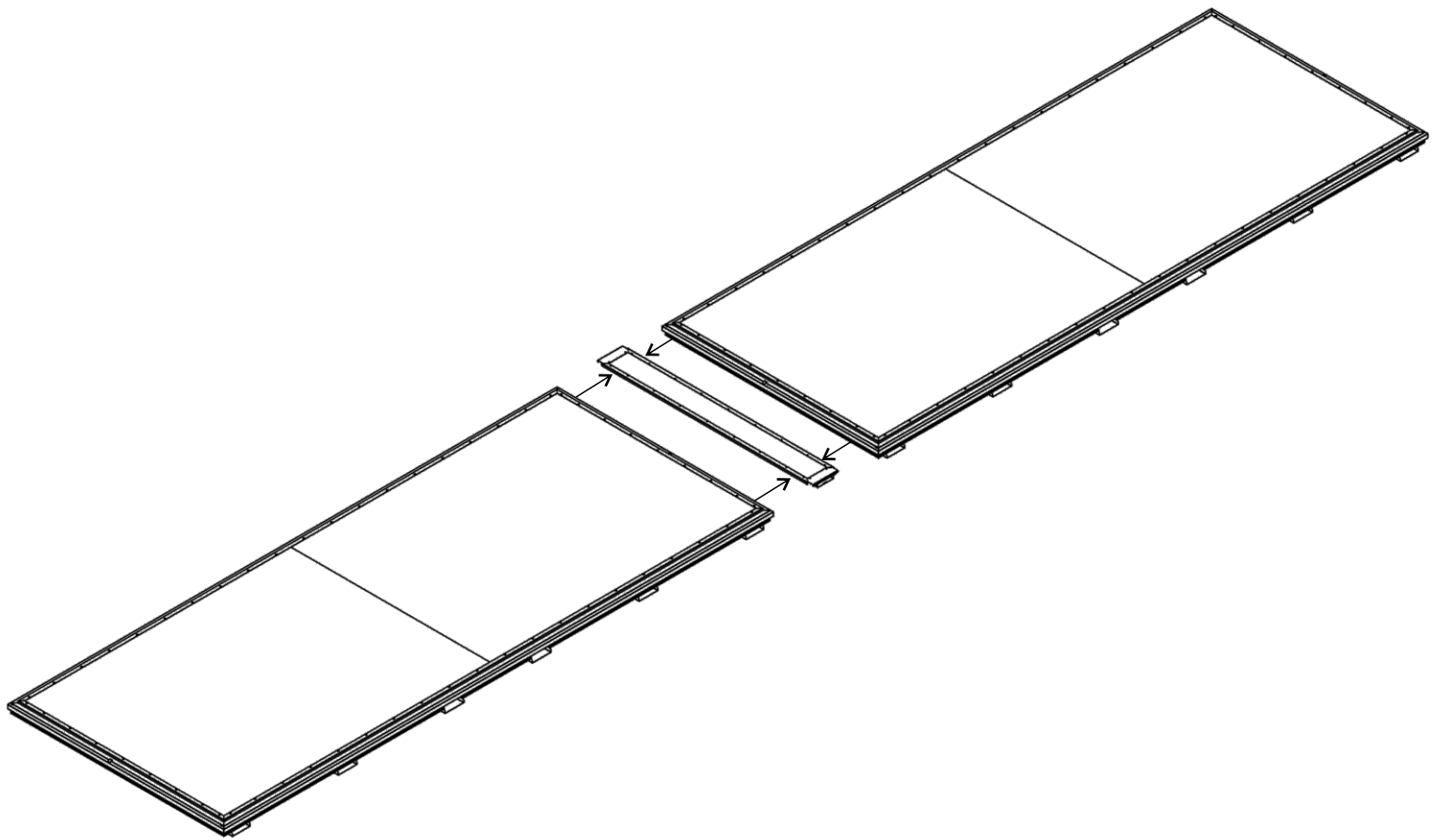
# PRODUCT CODE : 5050.110.450.320



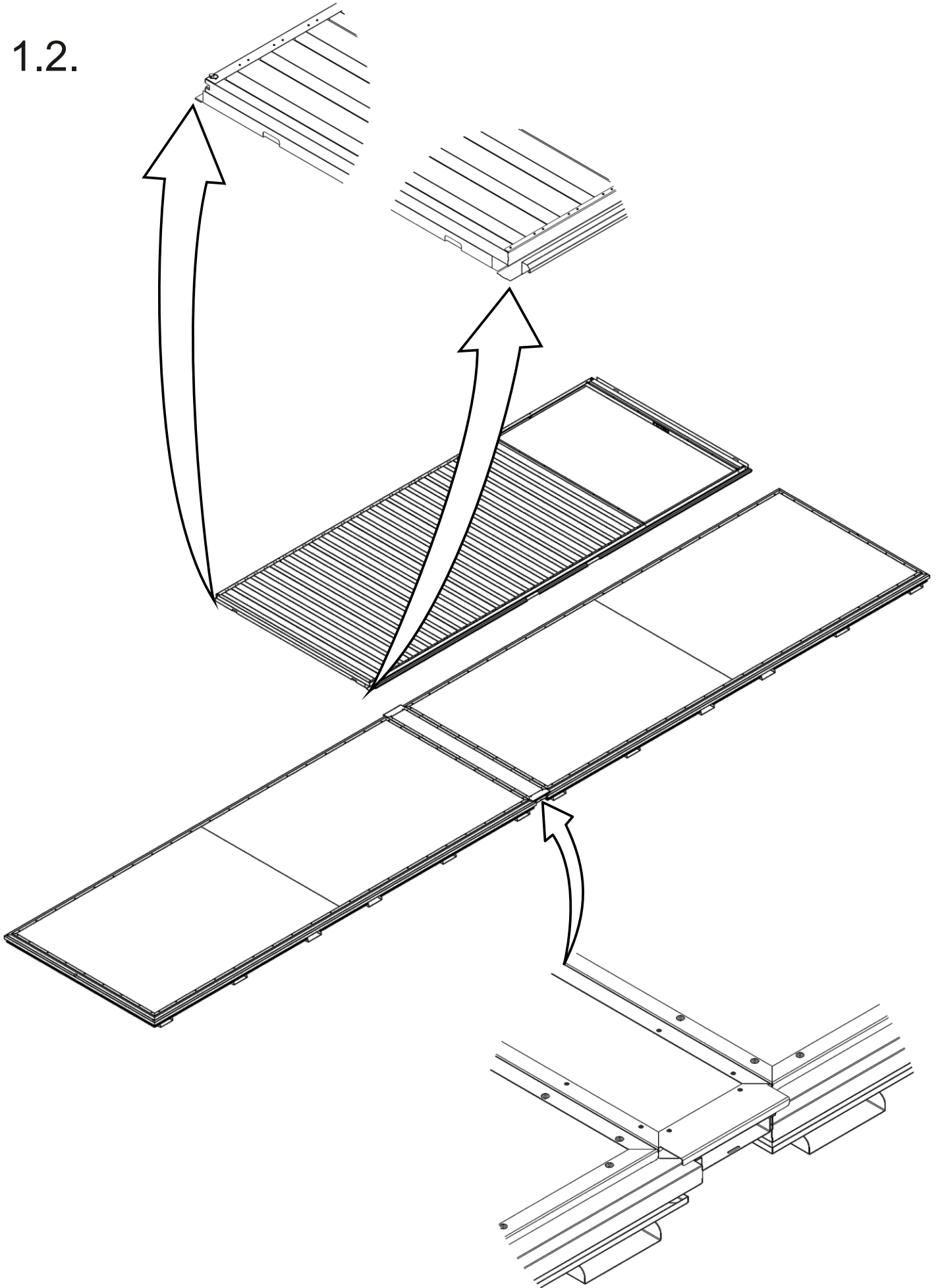
	24 pcs.
	2 pcs.
	2 pcs.
	10 pcs.
	10 pcs.
	10 pcs.



1.1.

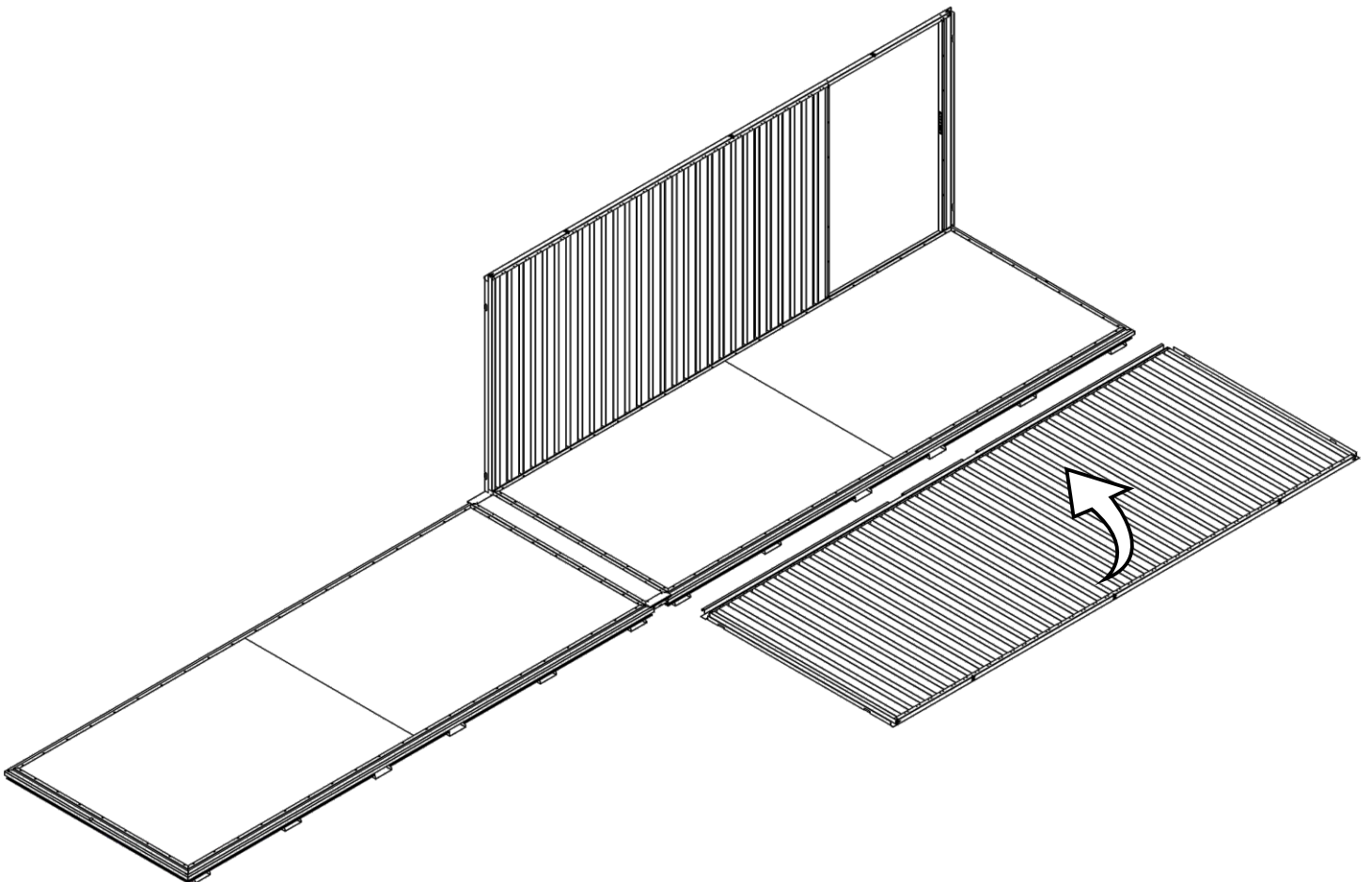


1.2.

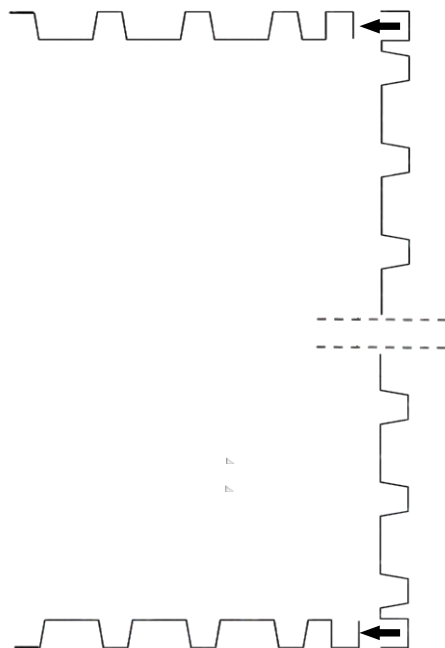
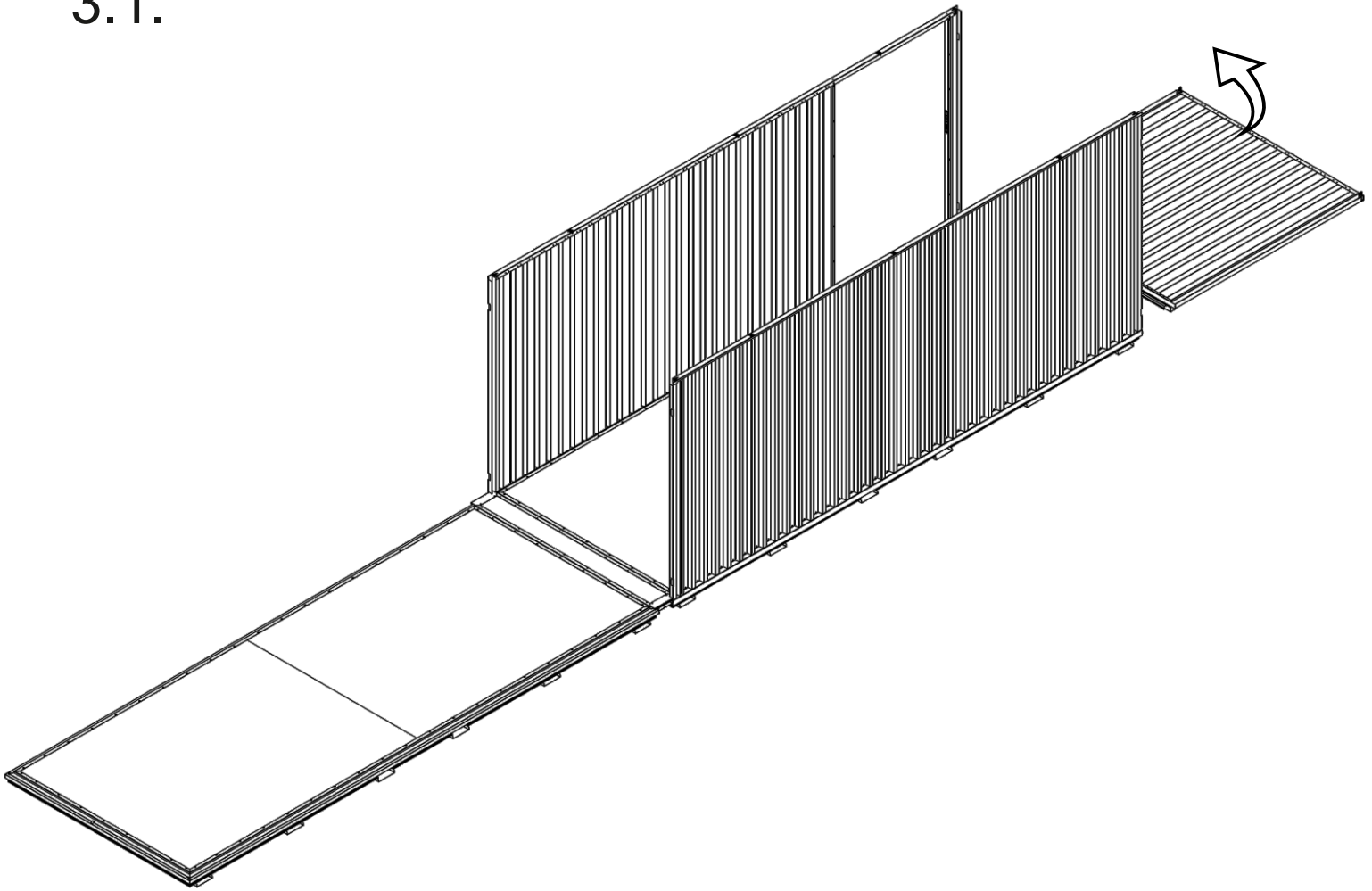




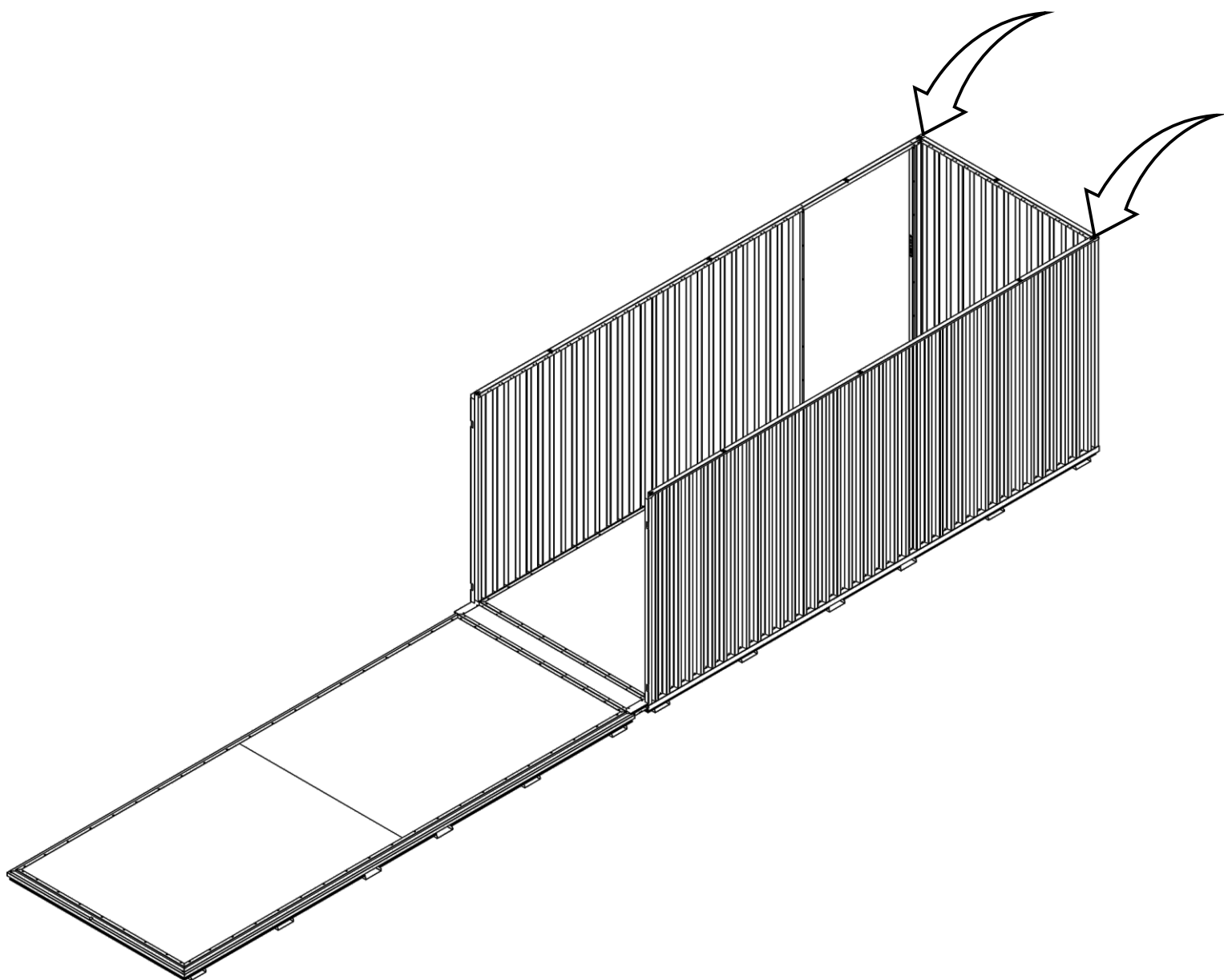
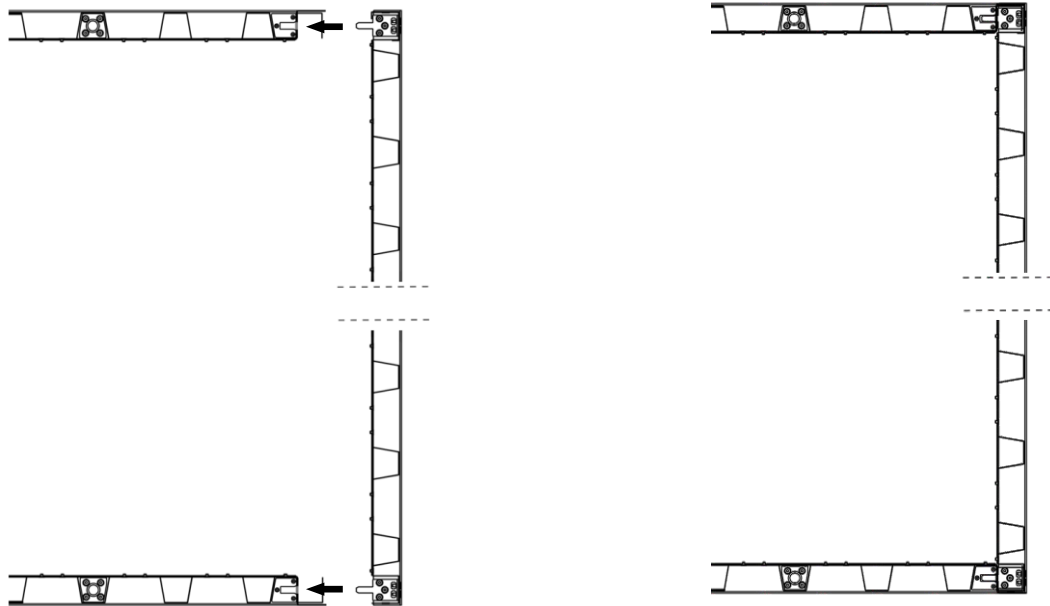
2.1.



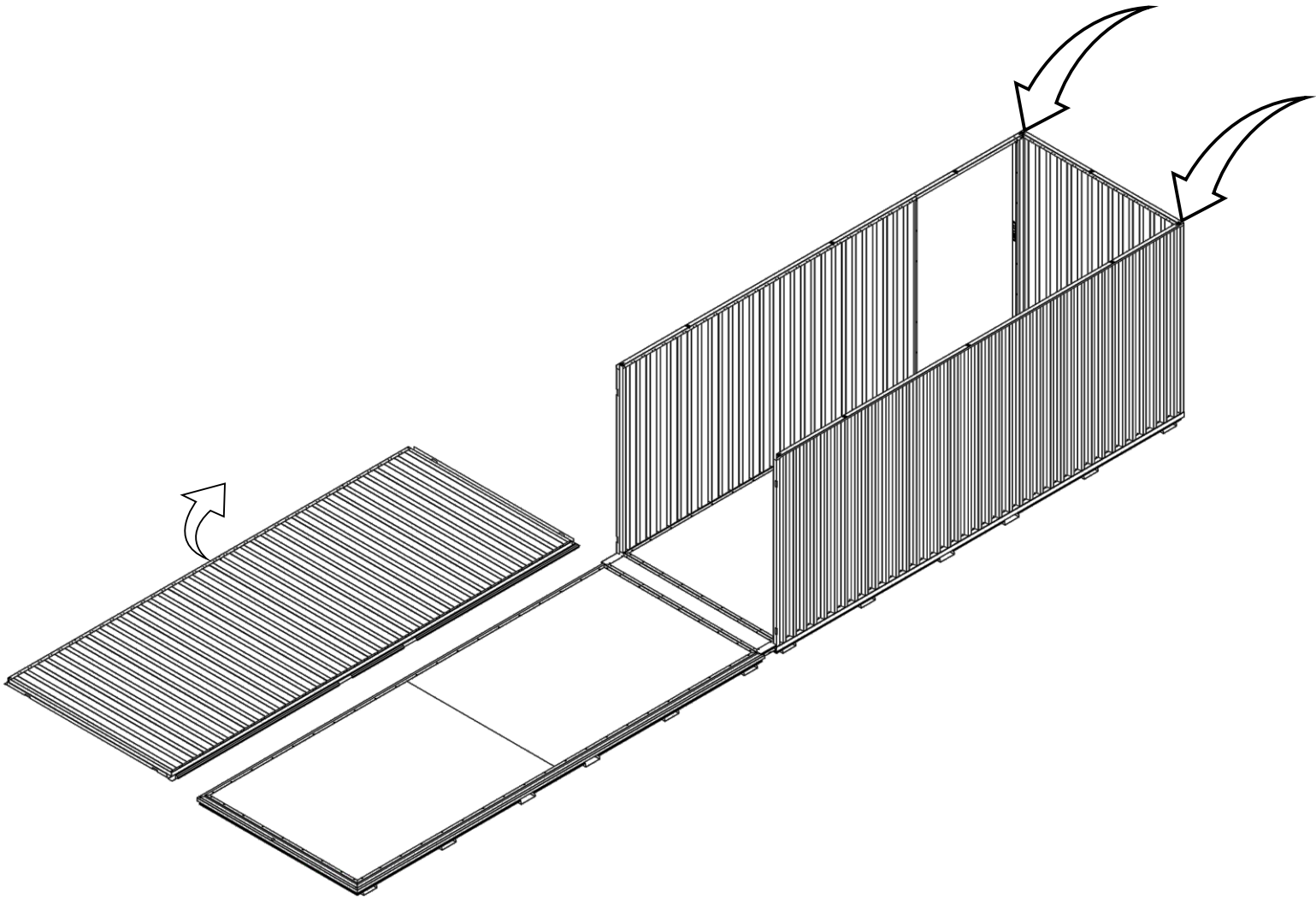
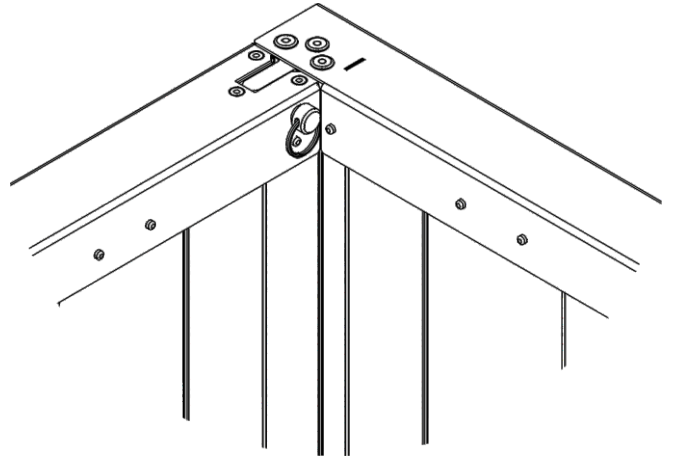
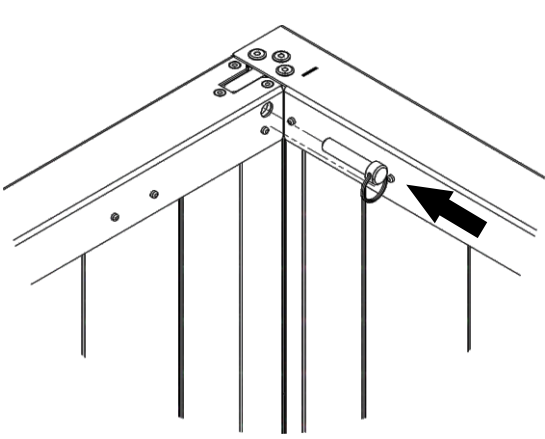
3.1.



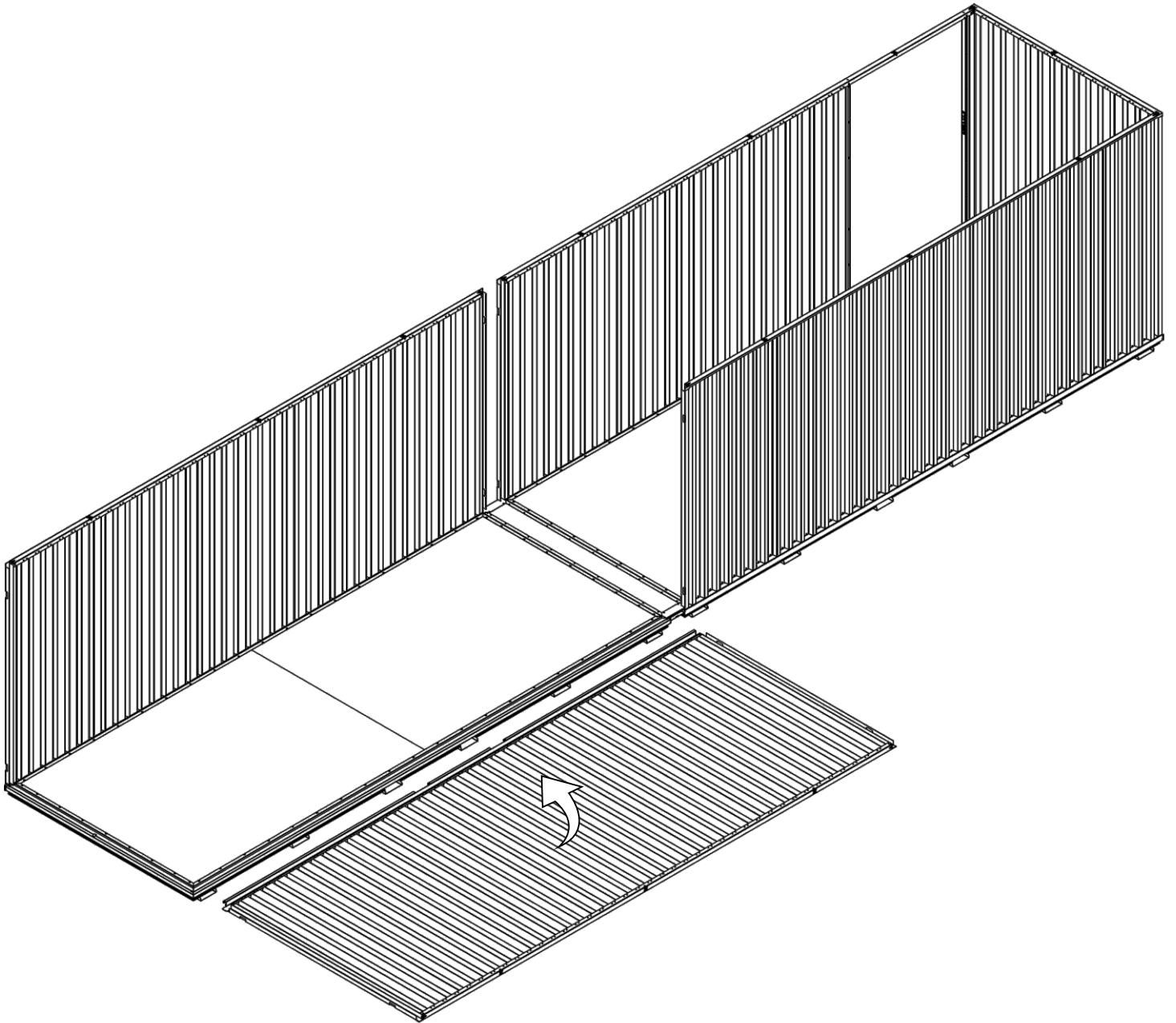
3.2.



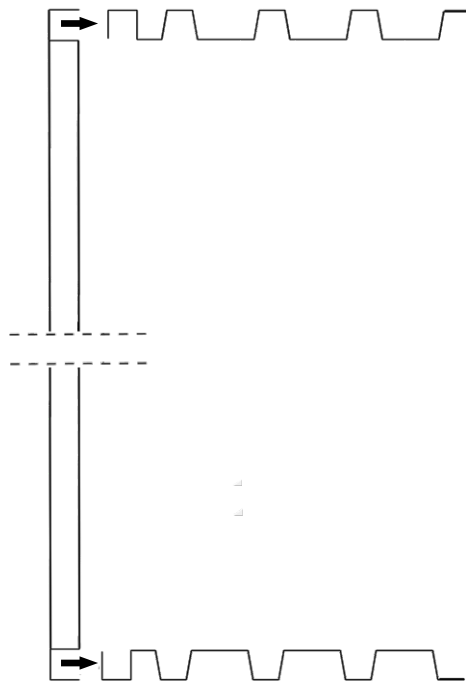
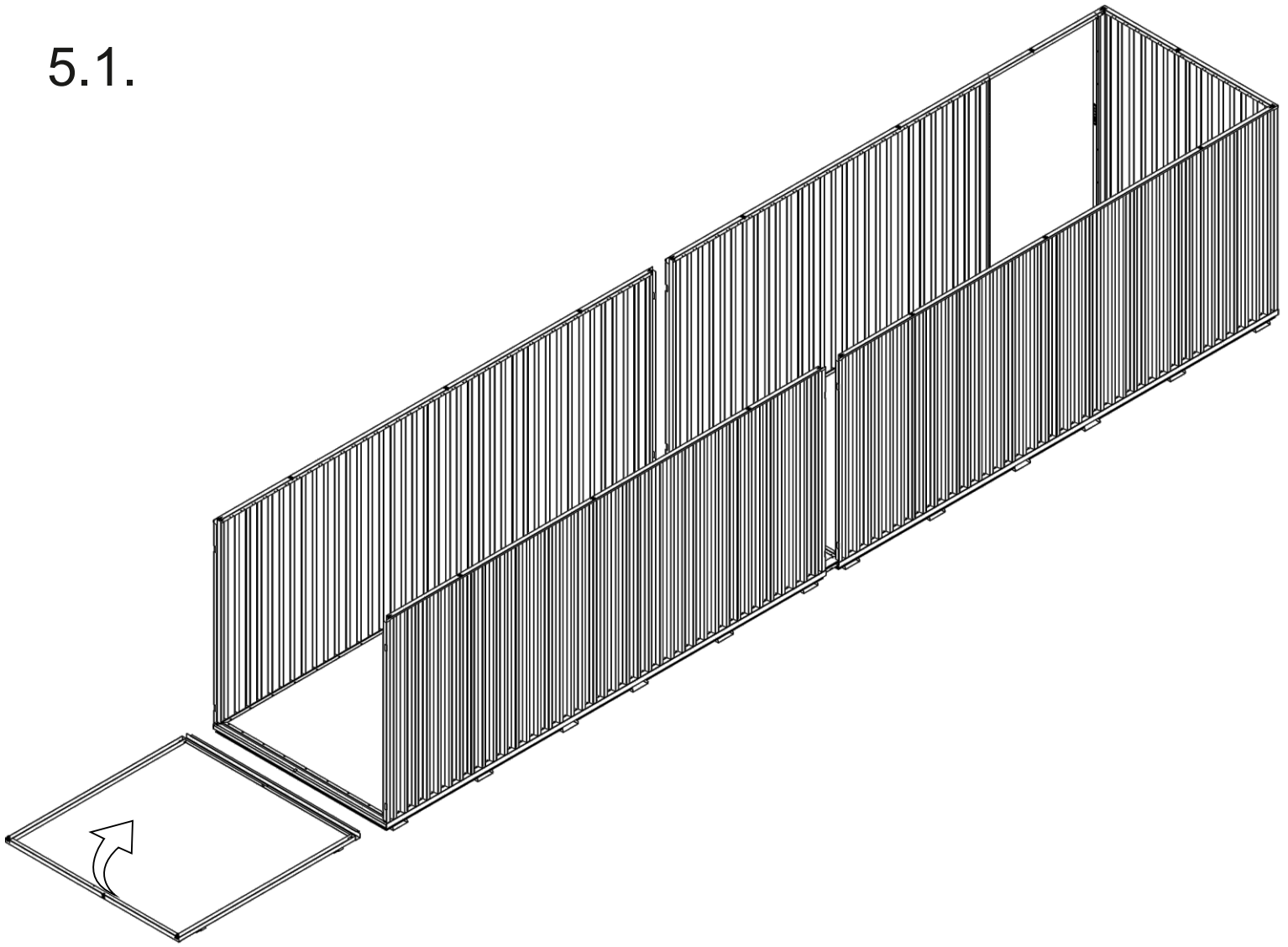
3.3.



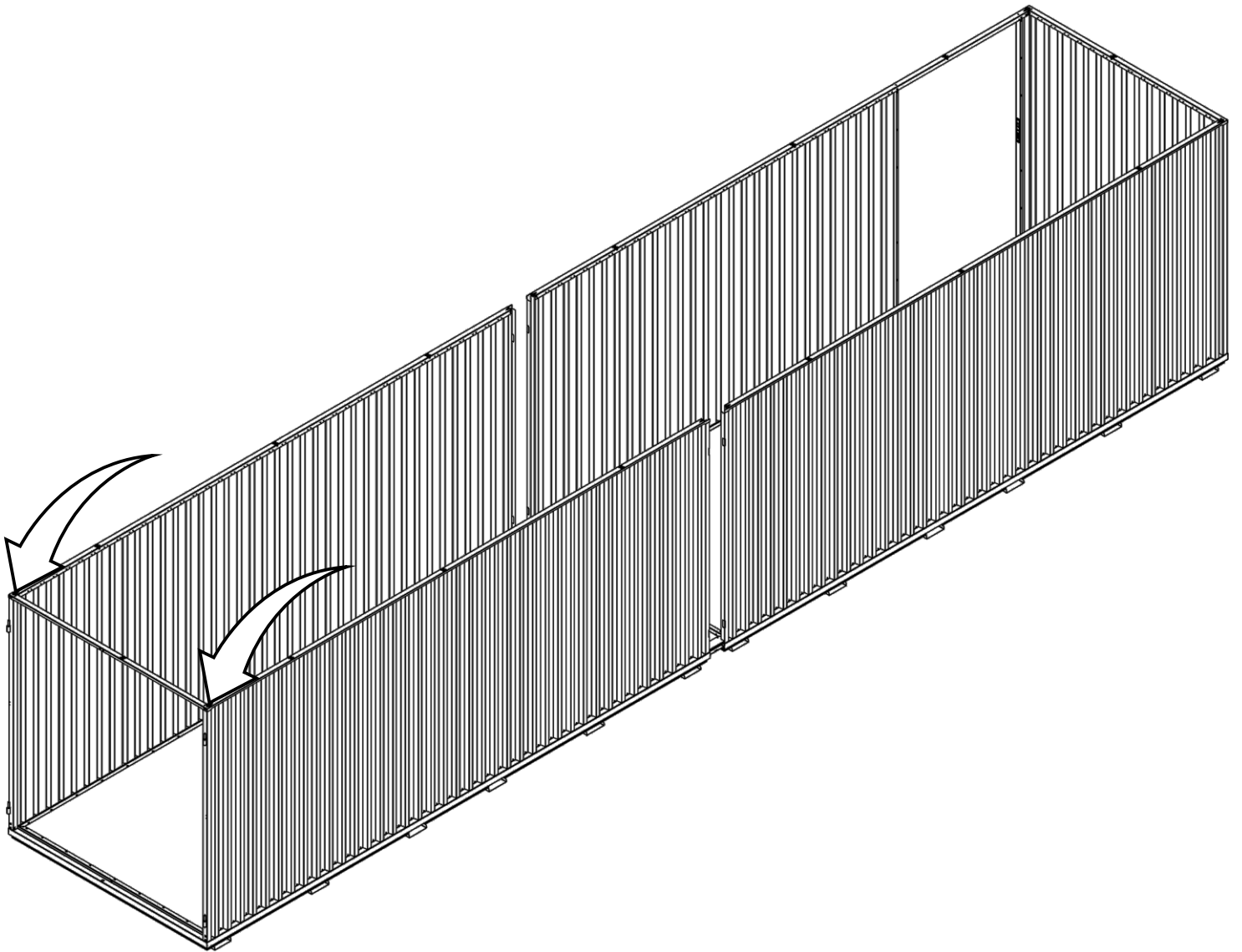
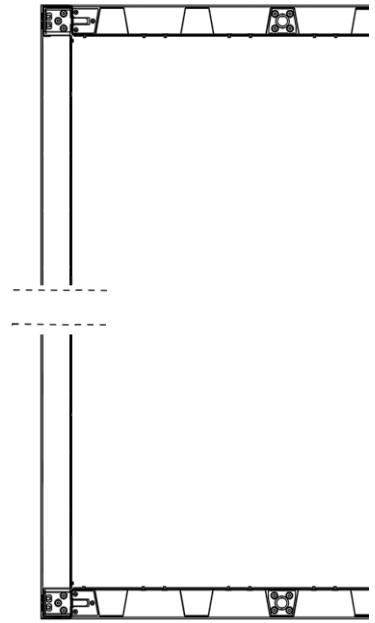
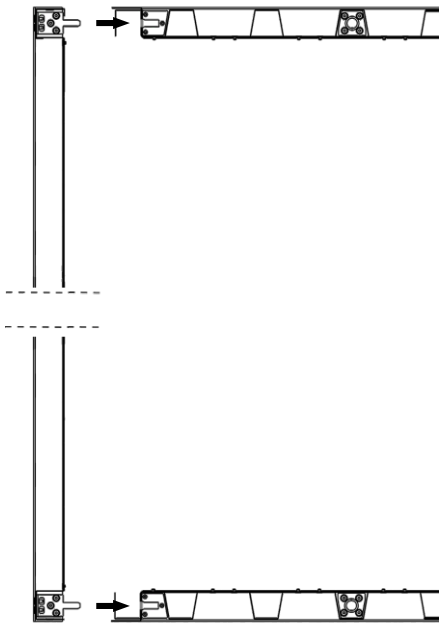
4.1.



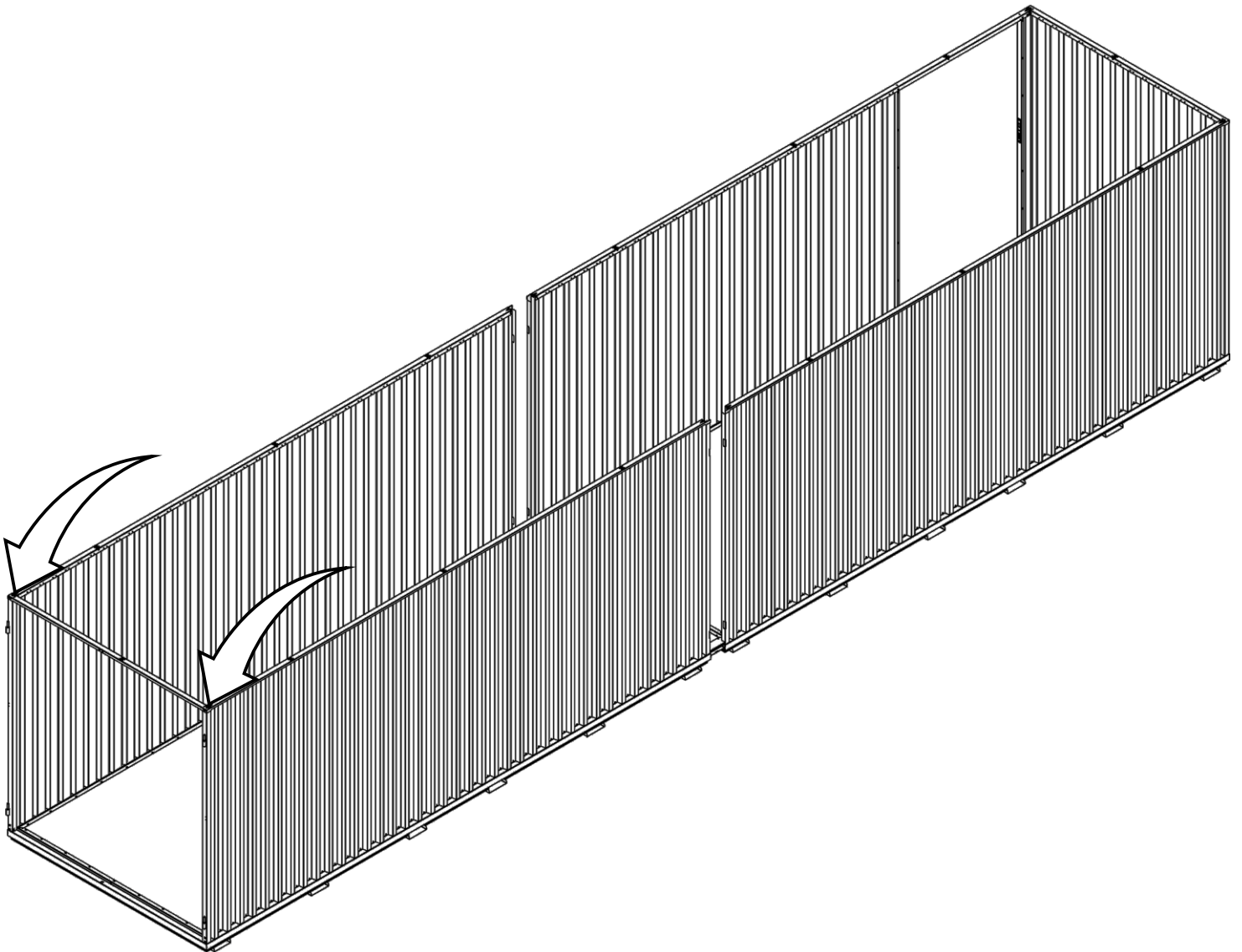
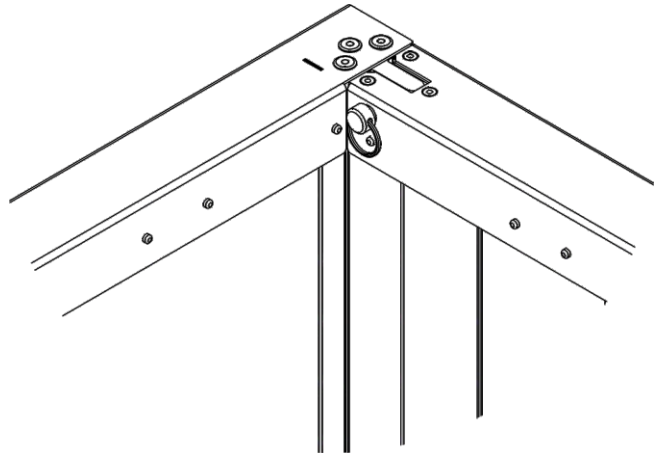
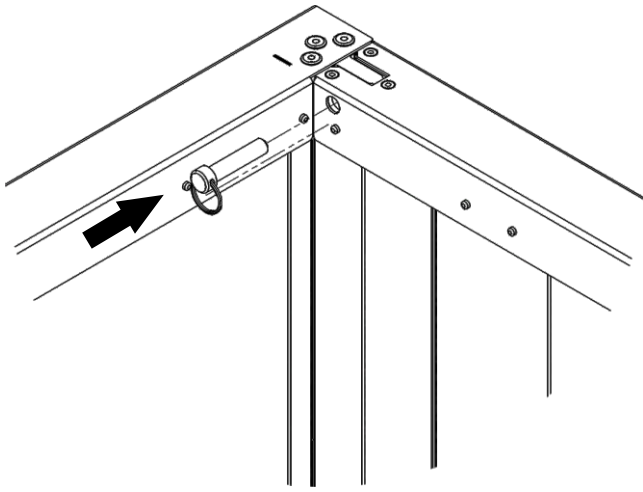
5.1.



5.2.

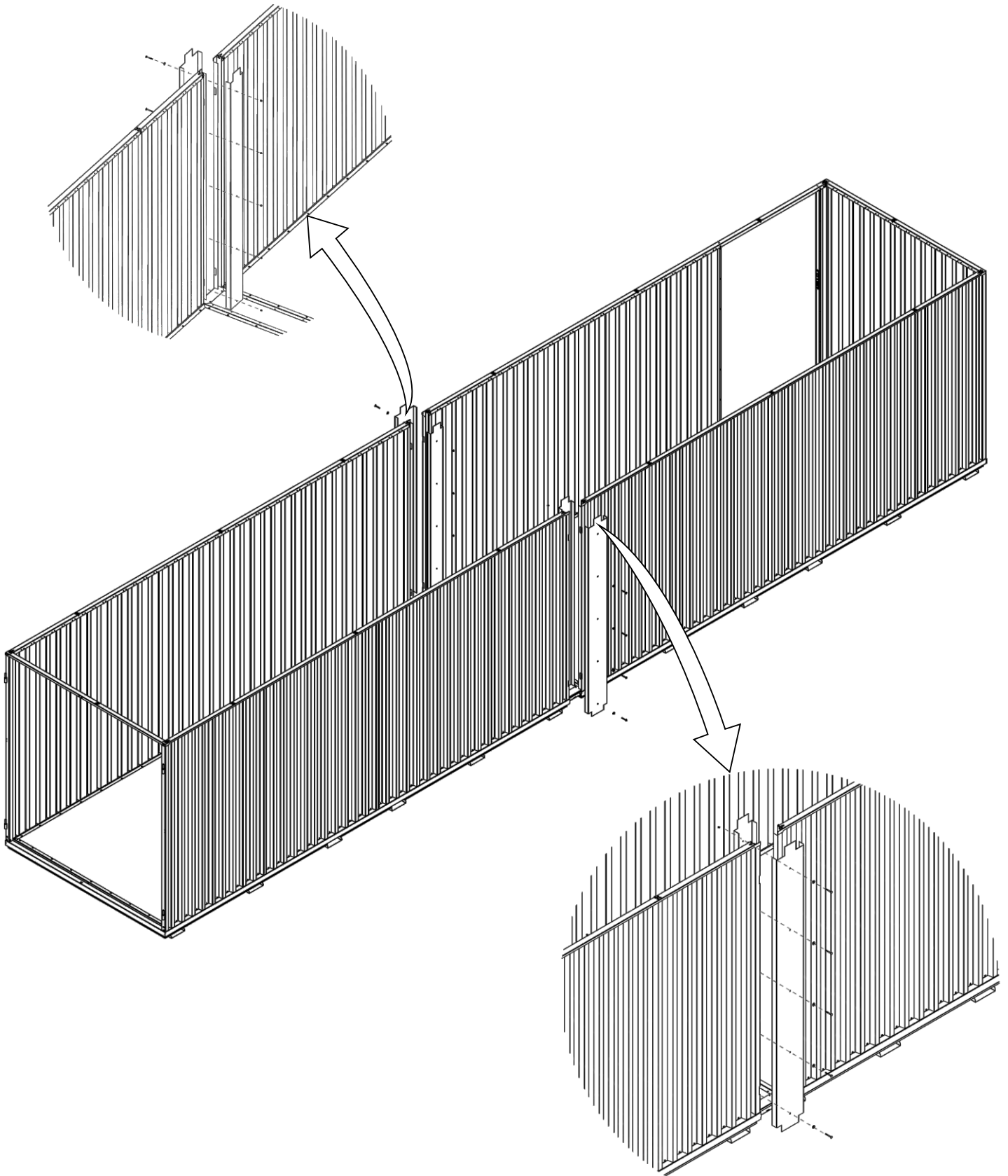


5.3.

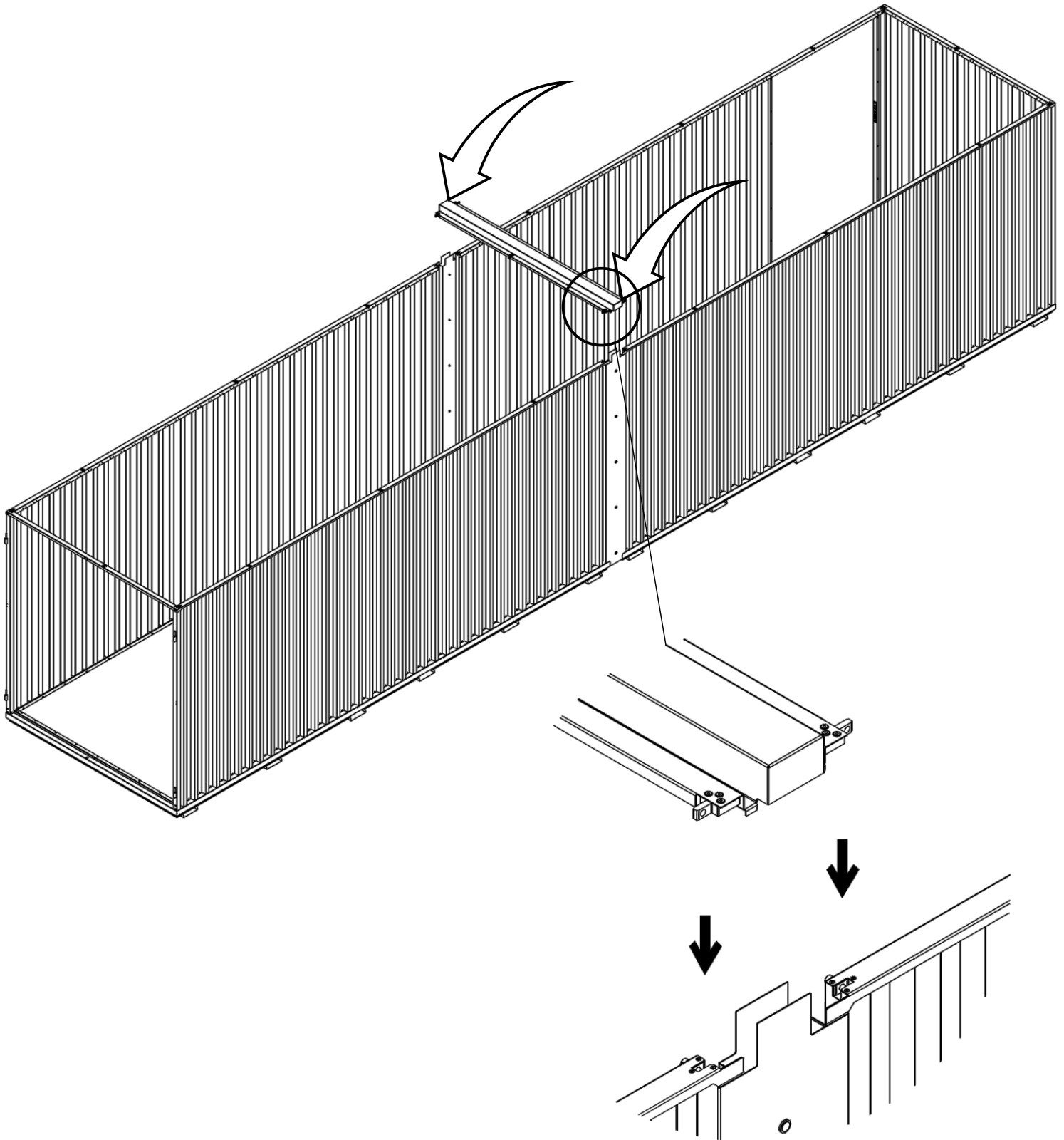




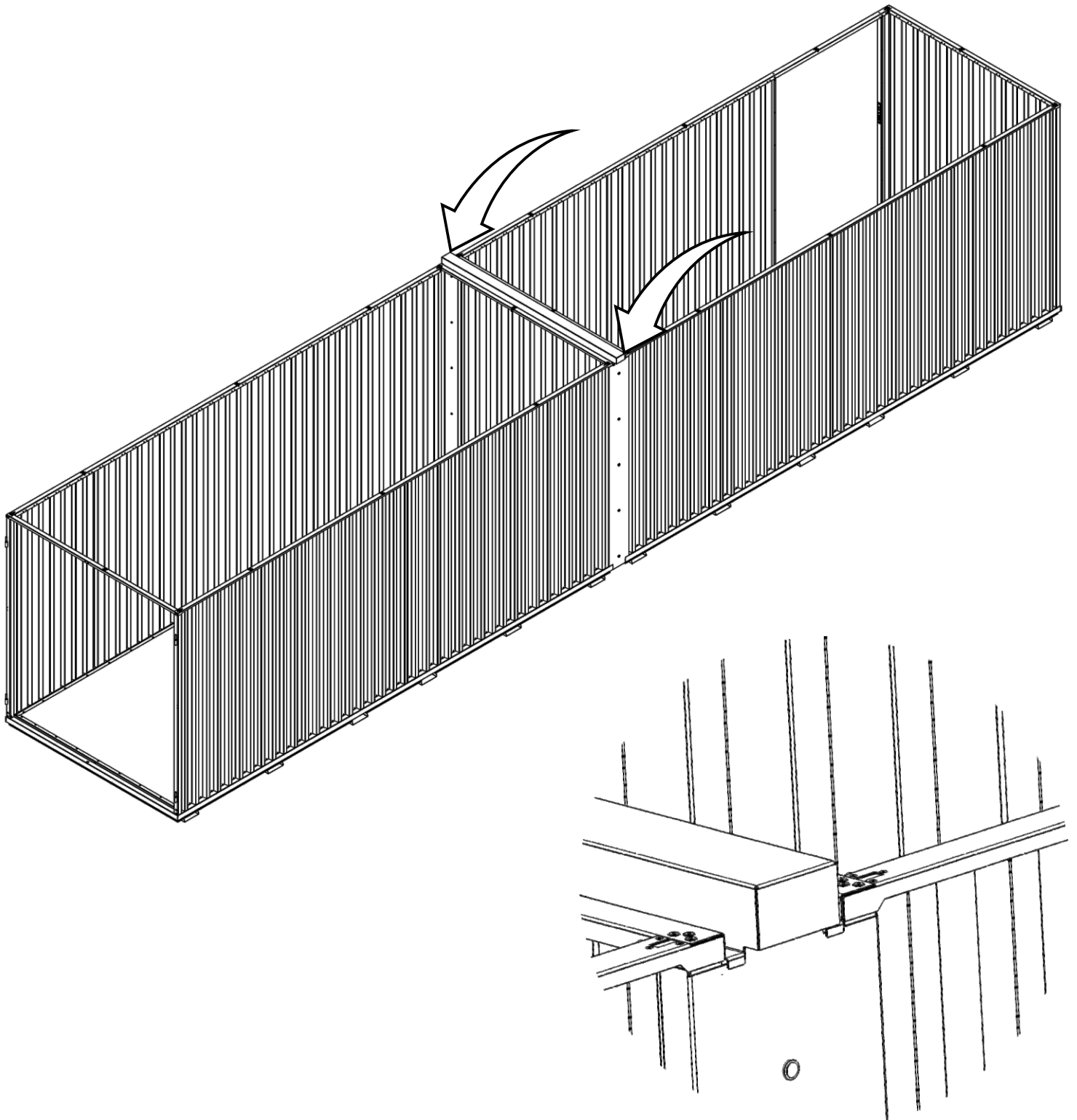
6.1.



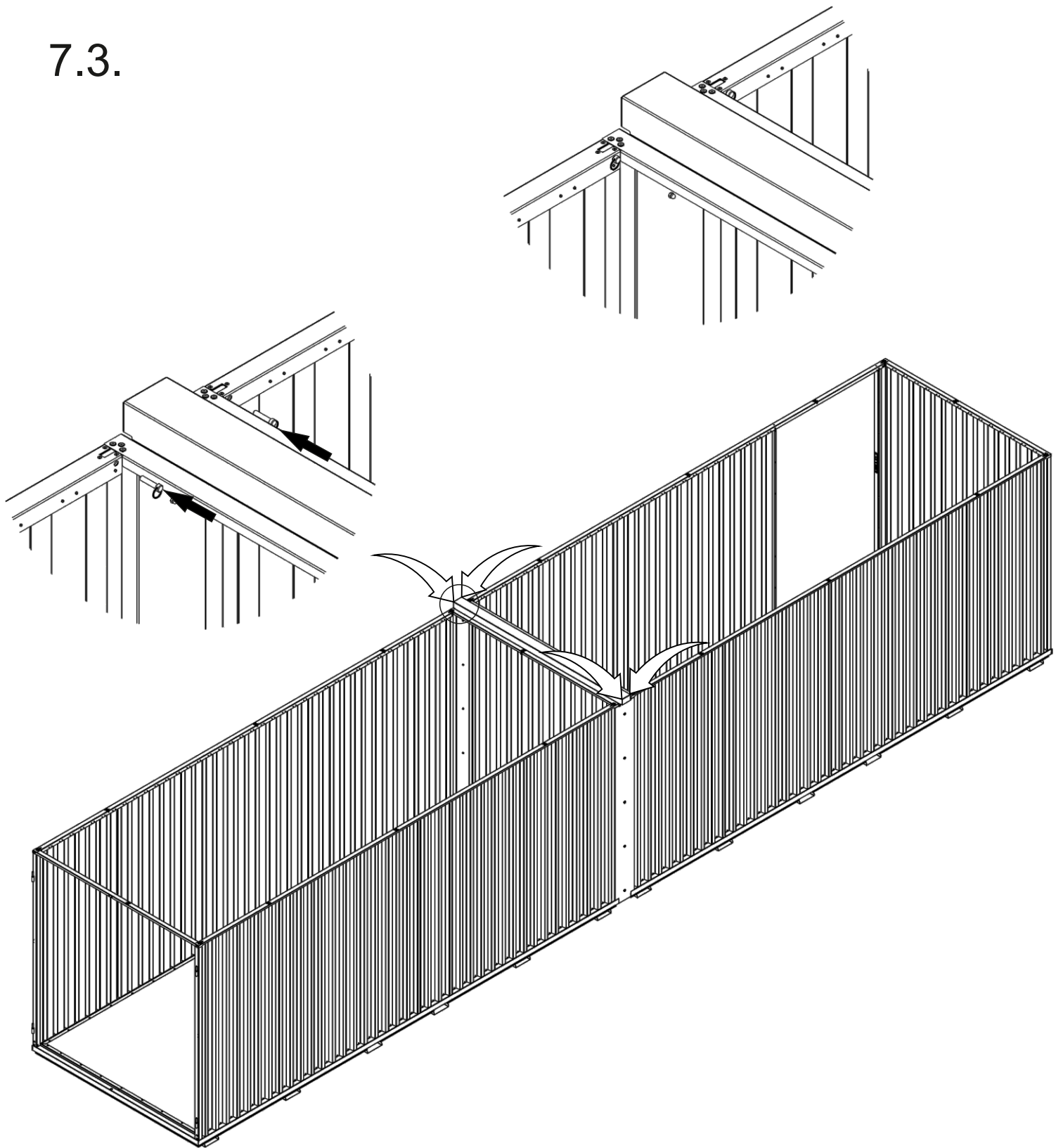
7.1.



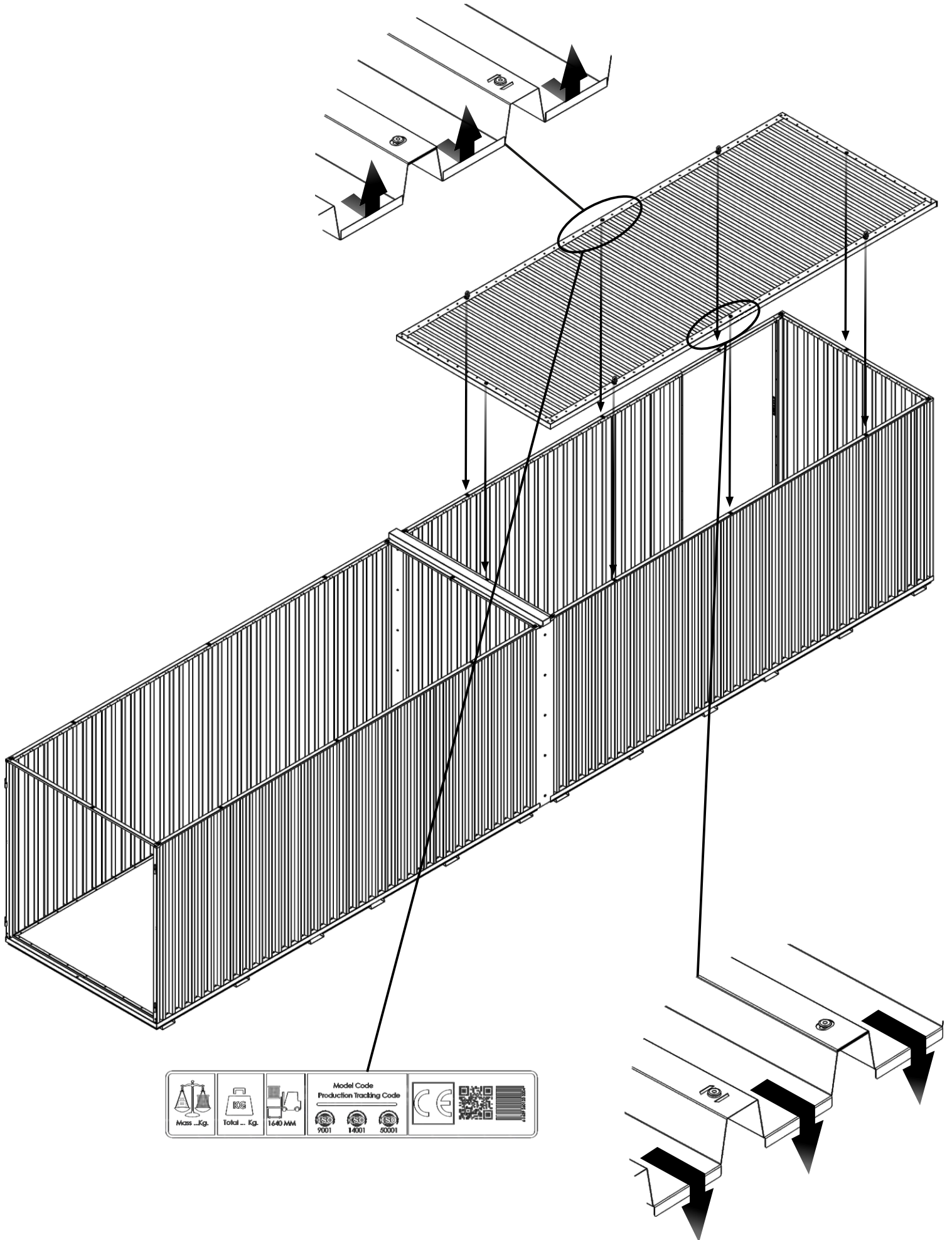
7.2.












7.3.

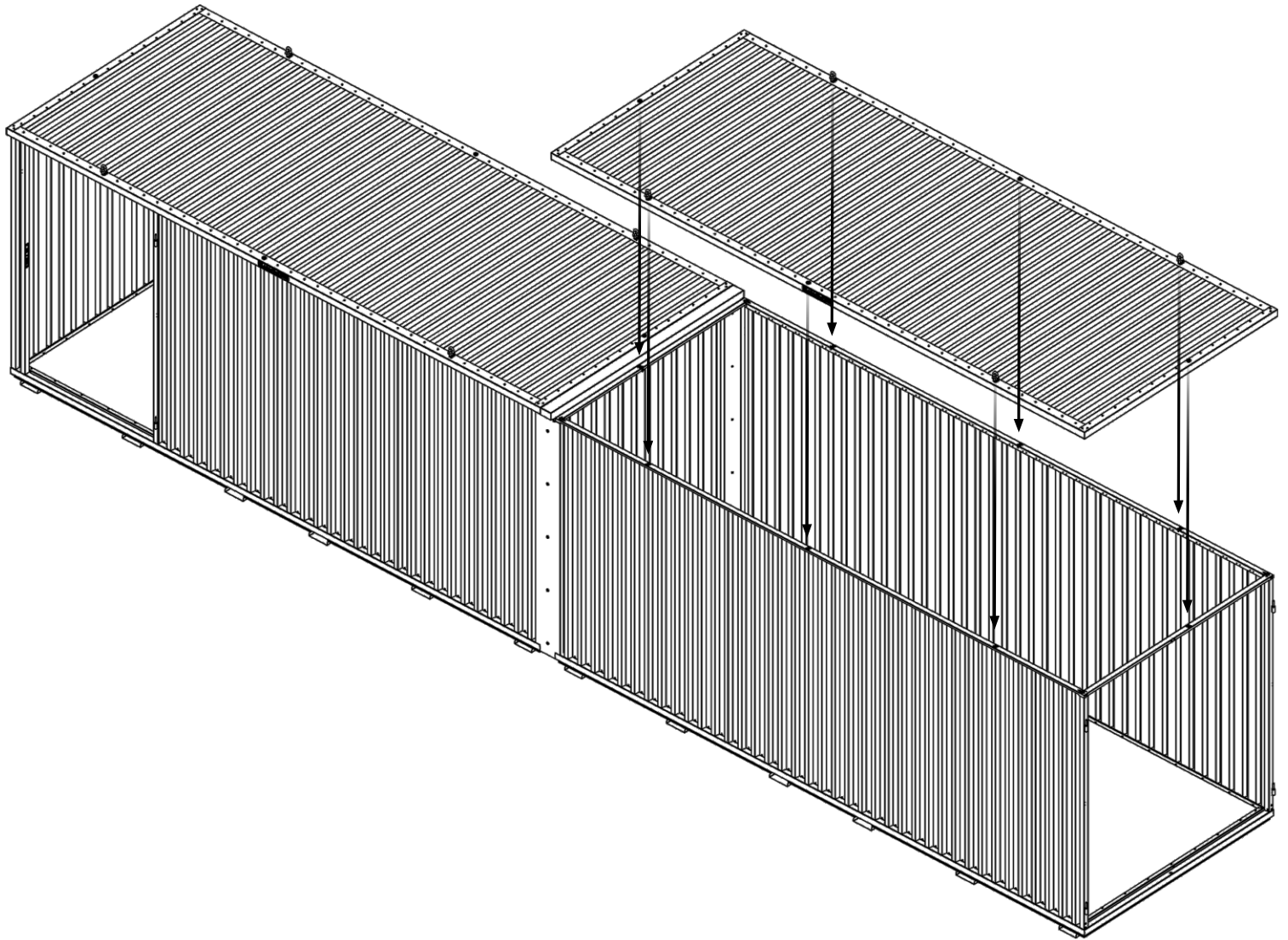


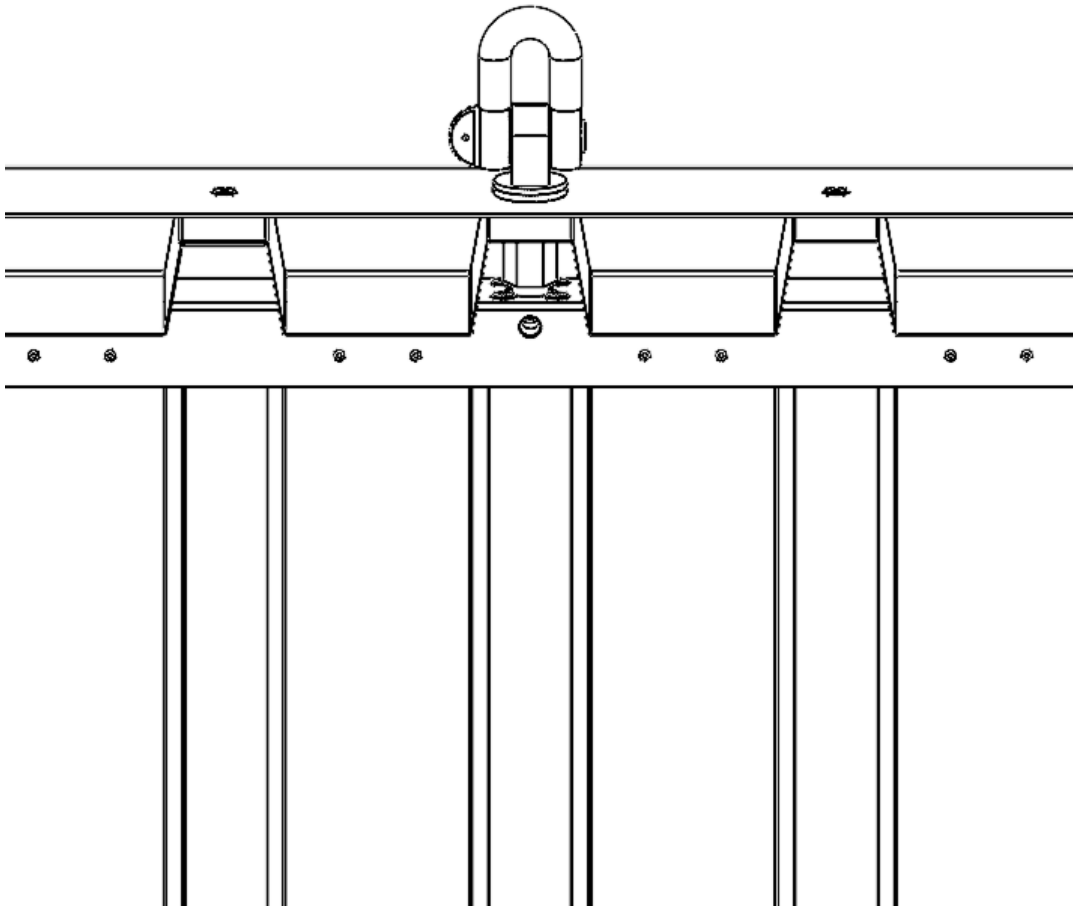
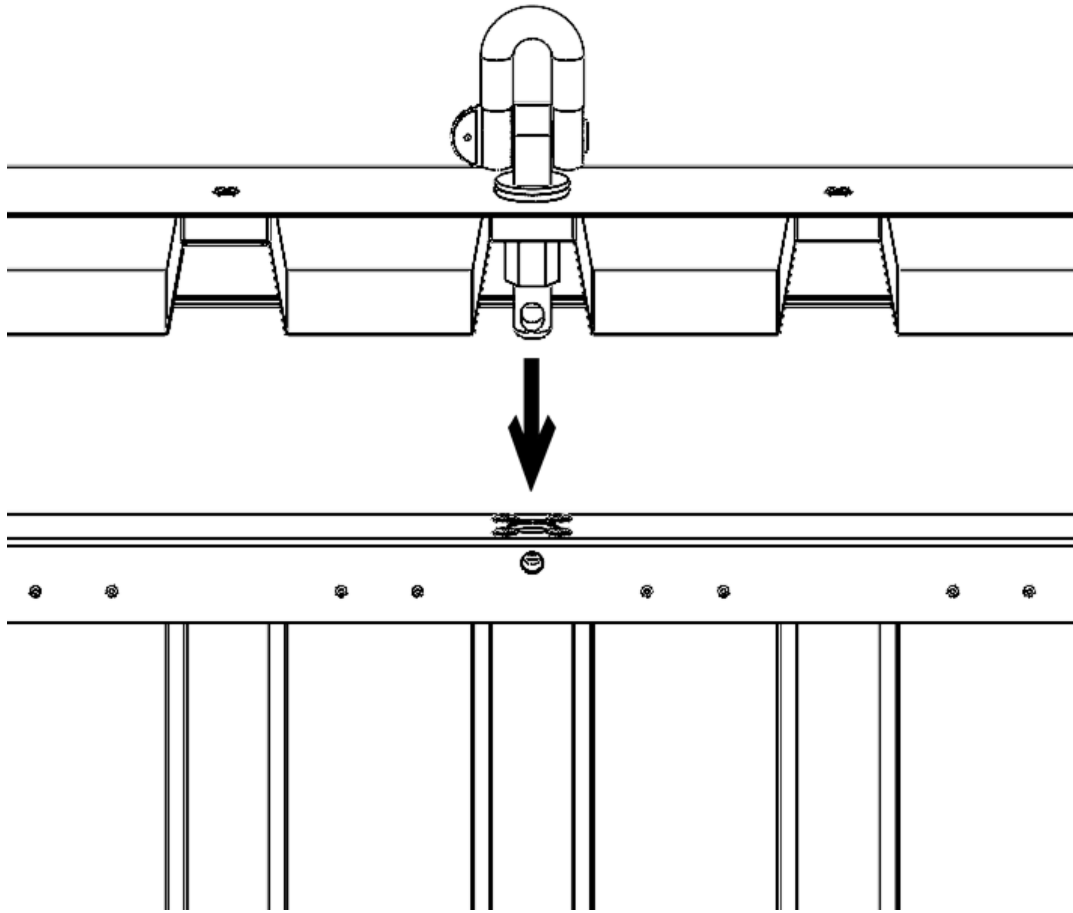
# 8.1.



 Mass ...Kg.	 Total ... Kg.	 1640 MM	Model Code Production Tracking Code			
			 9001	 14001	 50001	

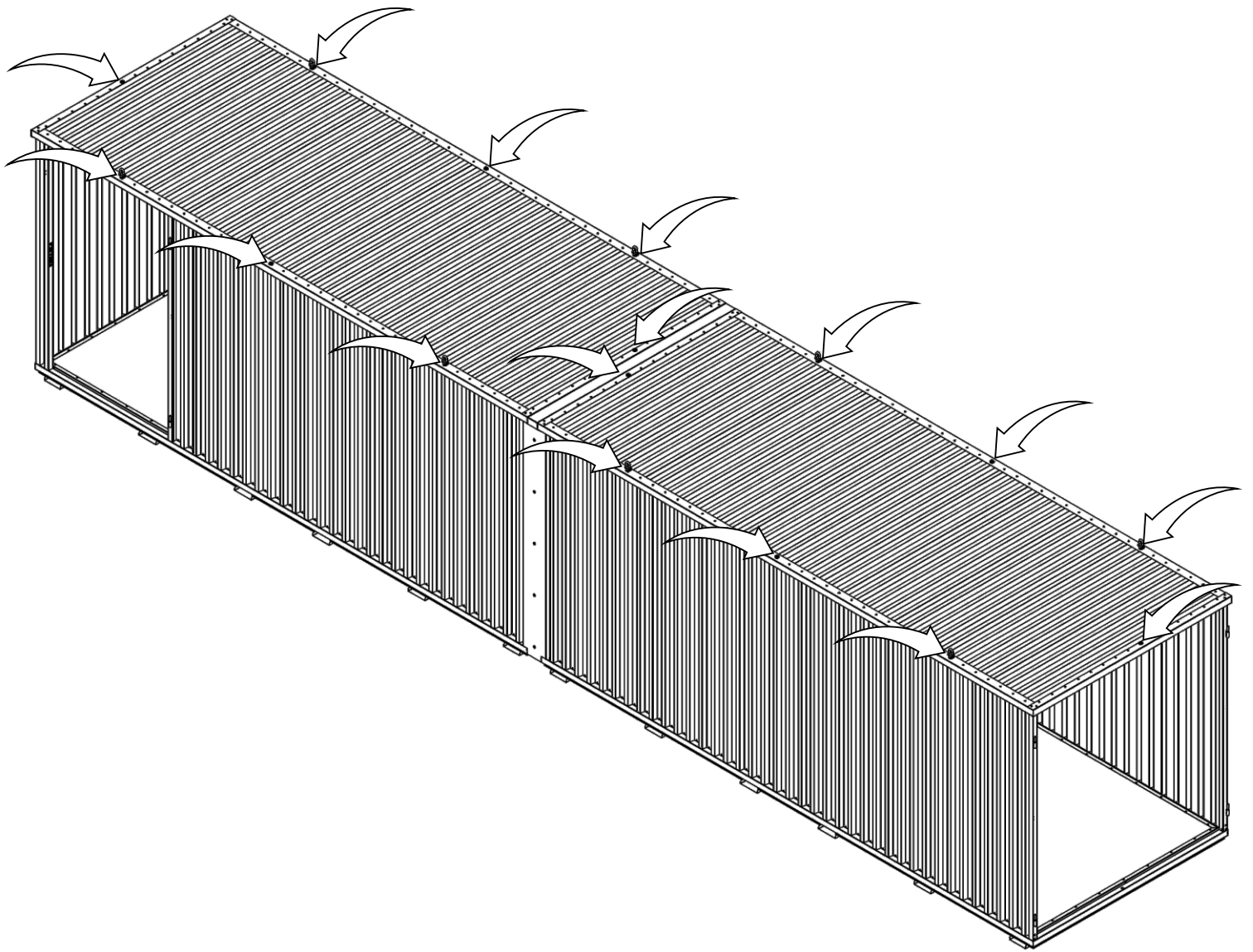
8.2.



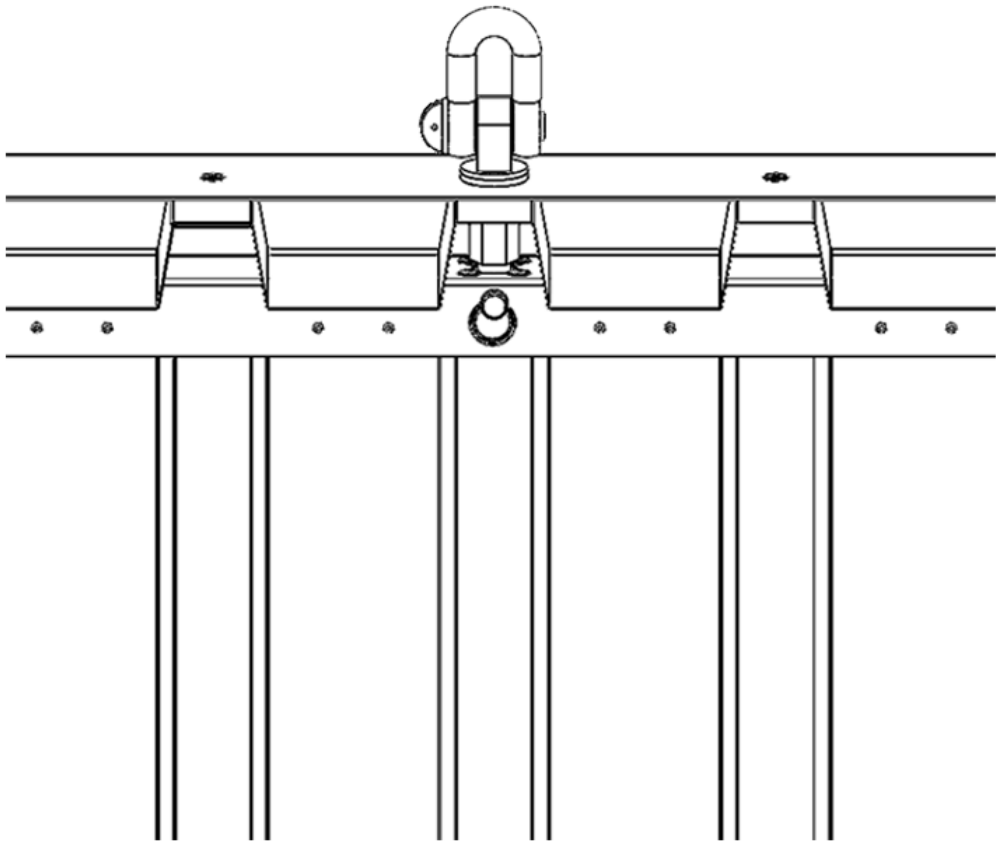
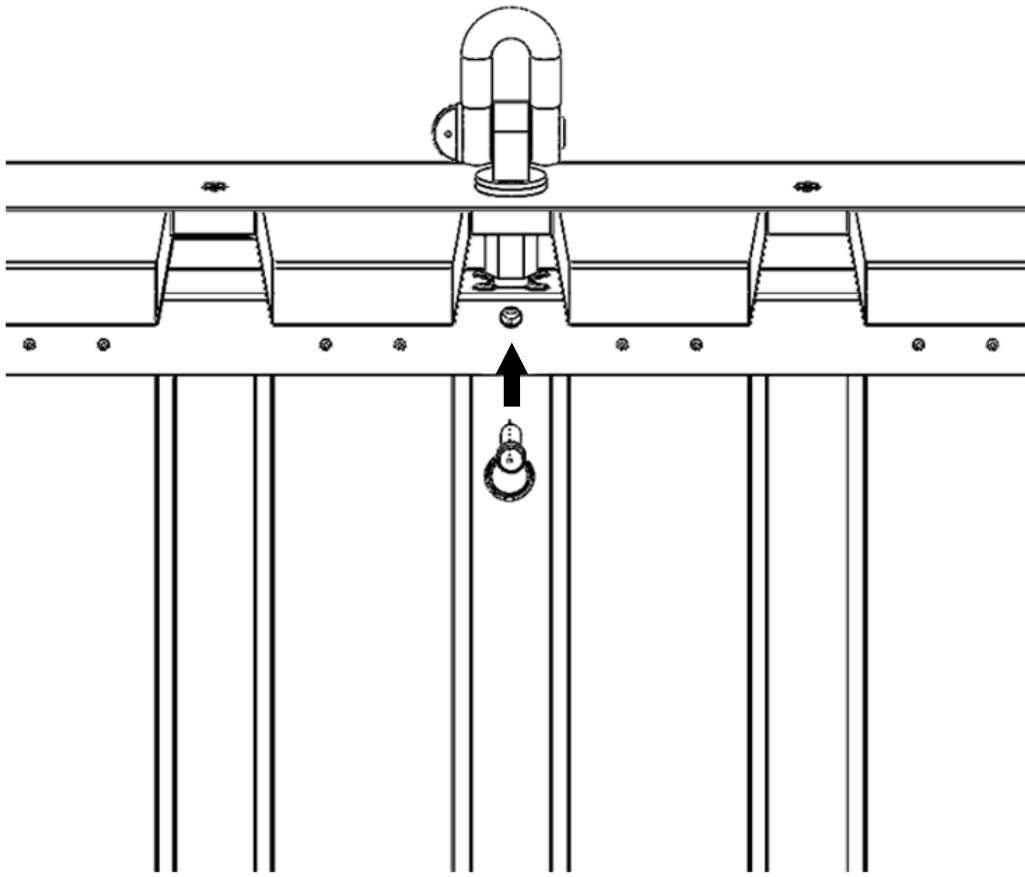




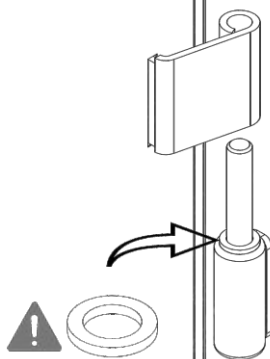
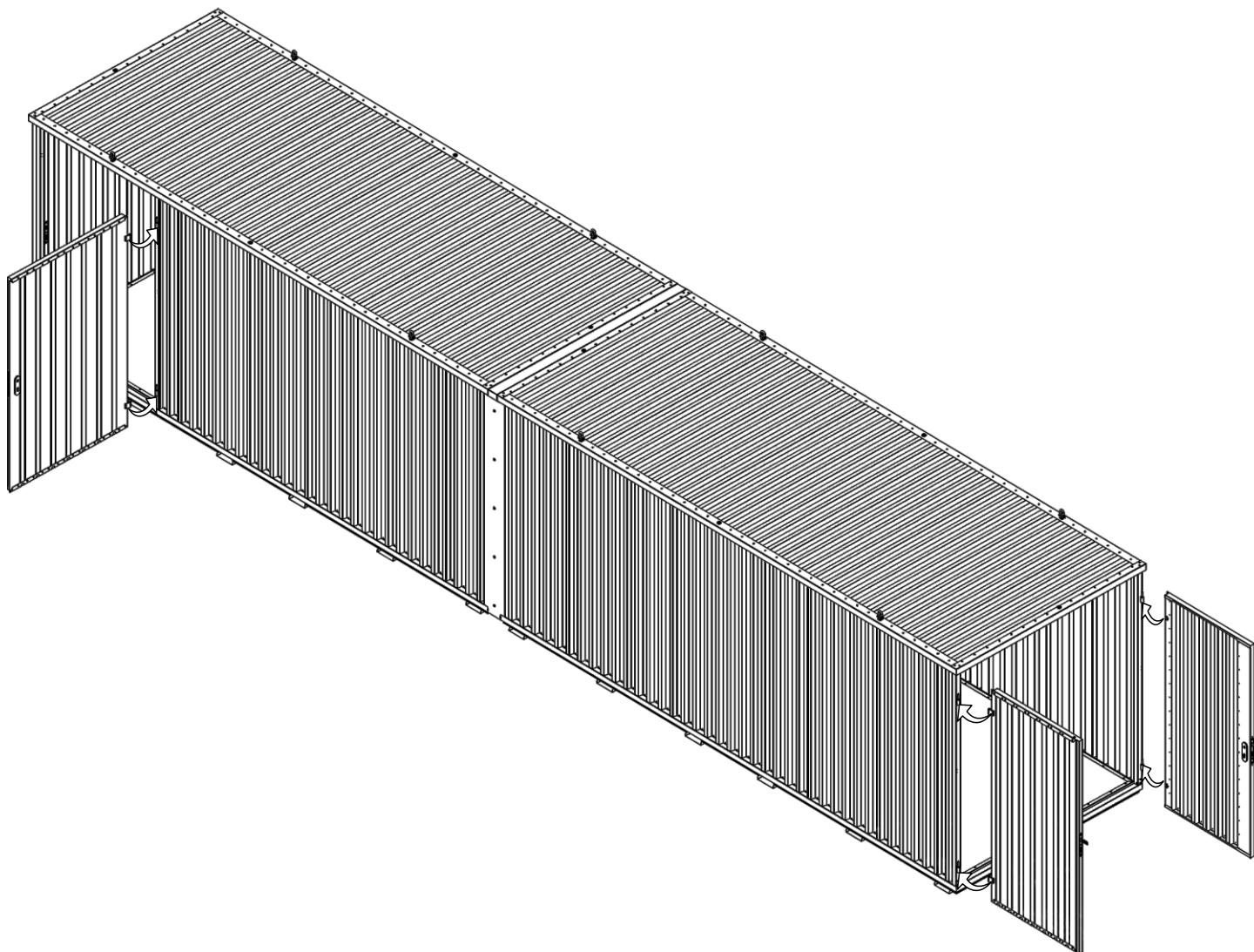
8.3.



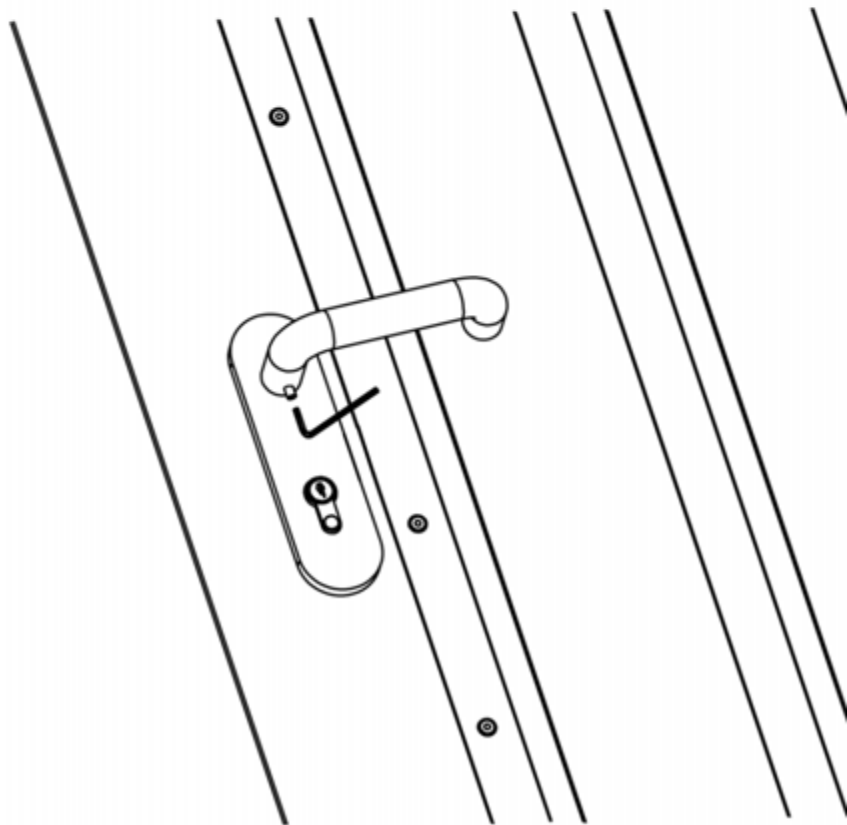
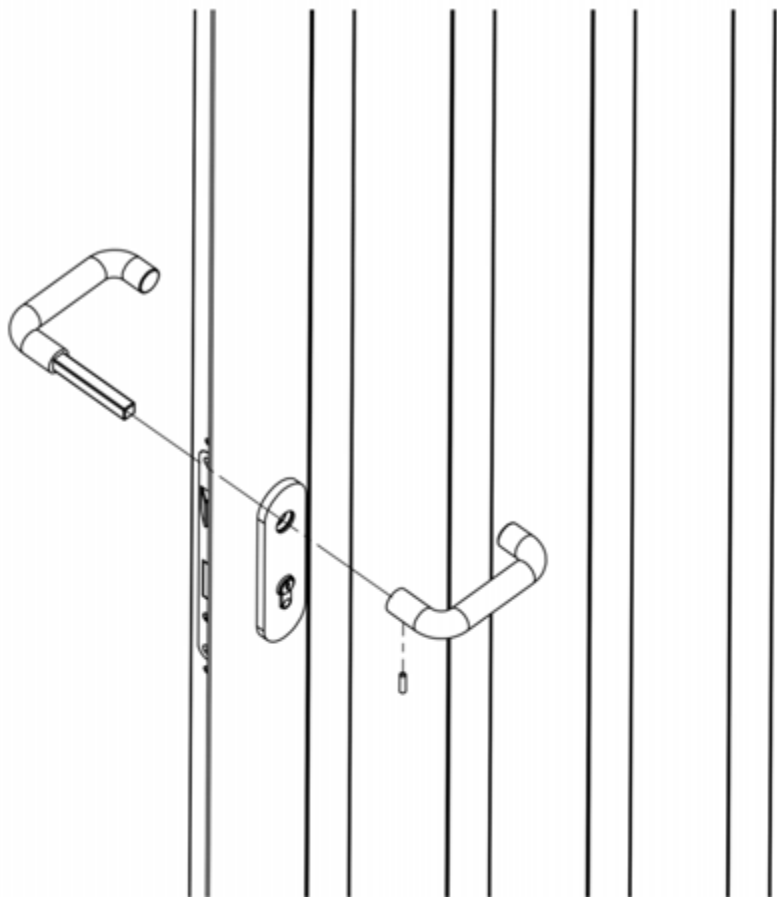




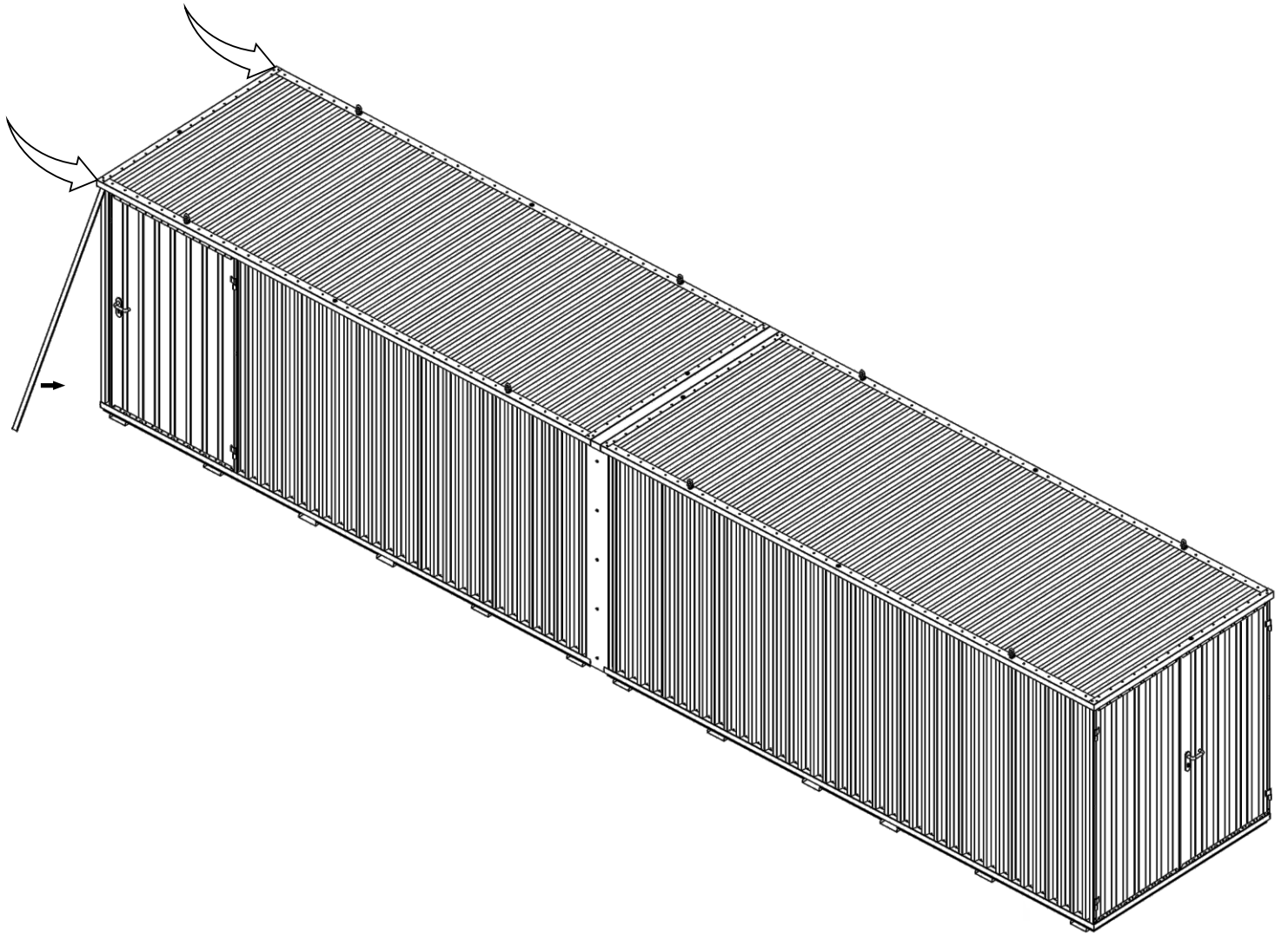
9.1.



9.2.



10.1.



11.1.

