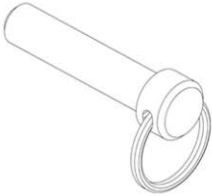
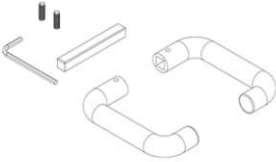


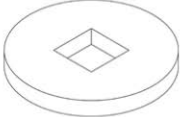

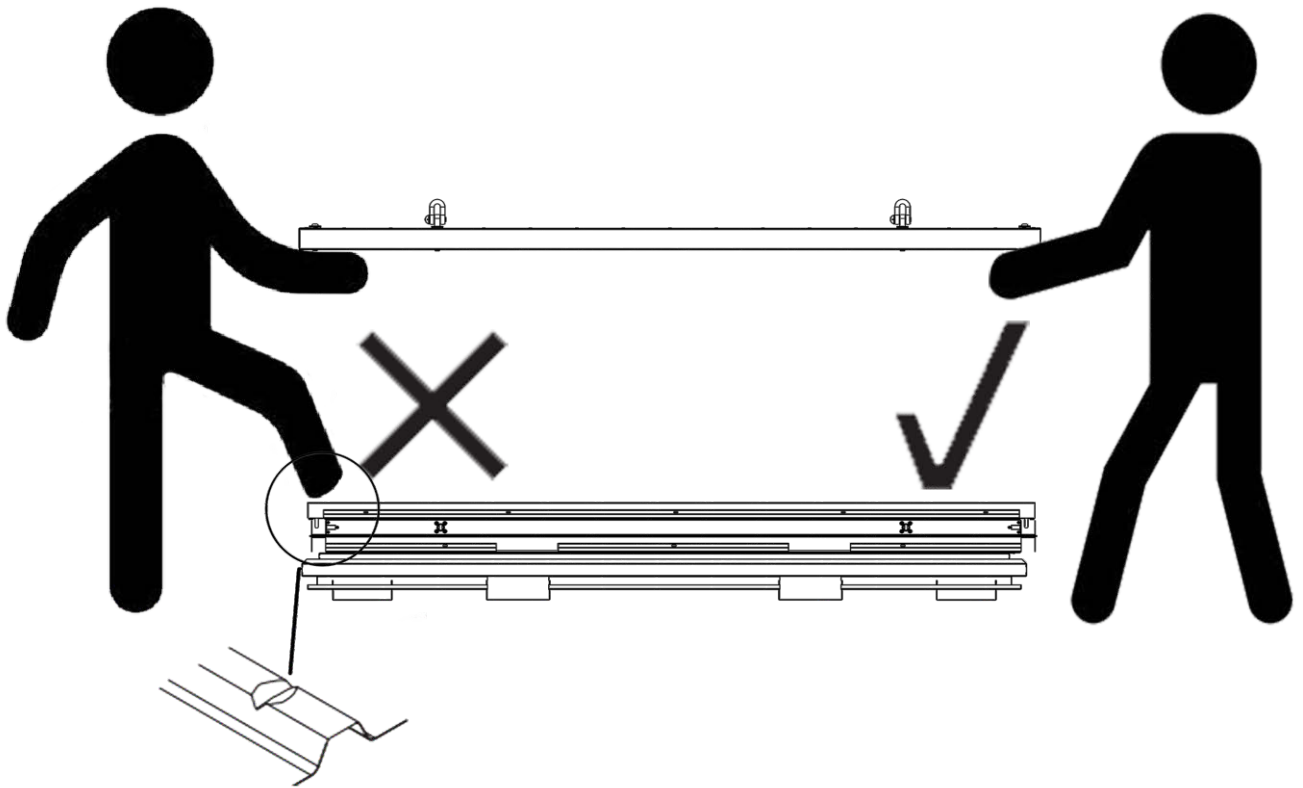
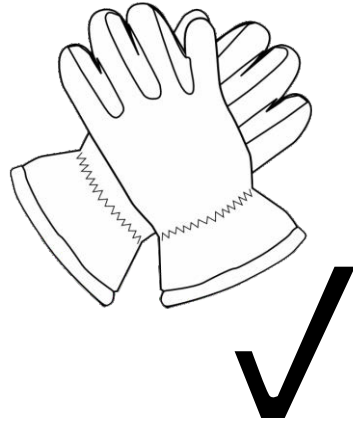
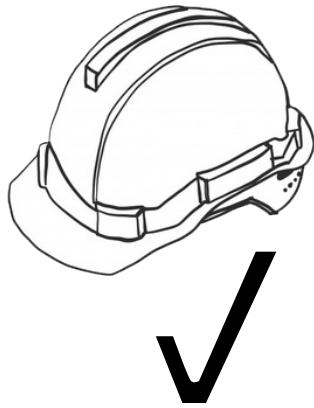


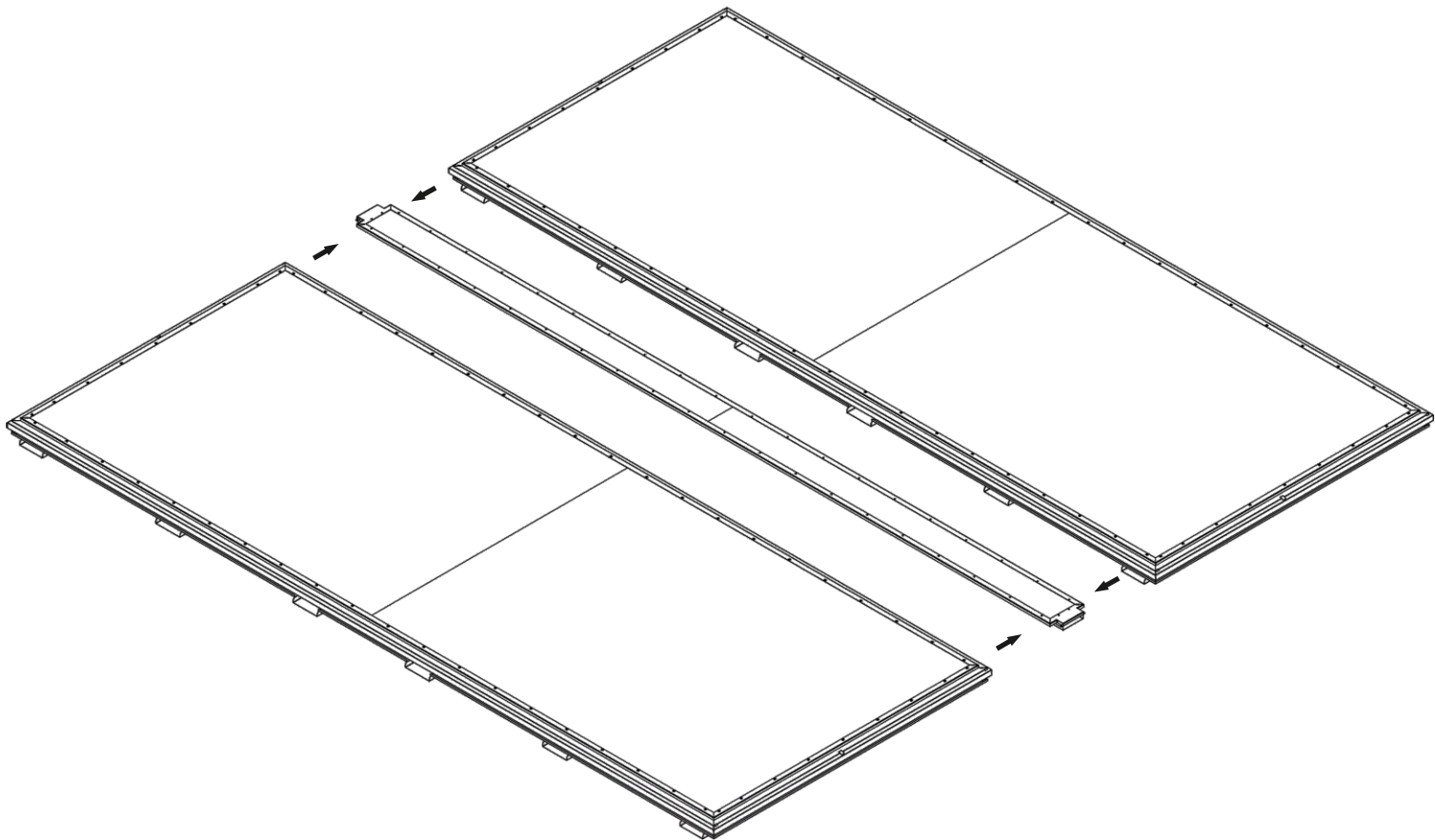
PRODUCT CODE :505.110.430.431



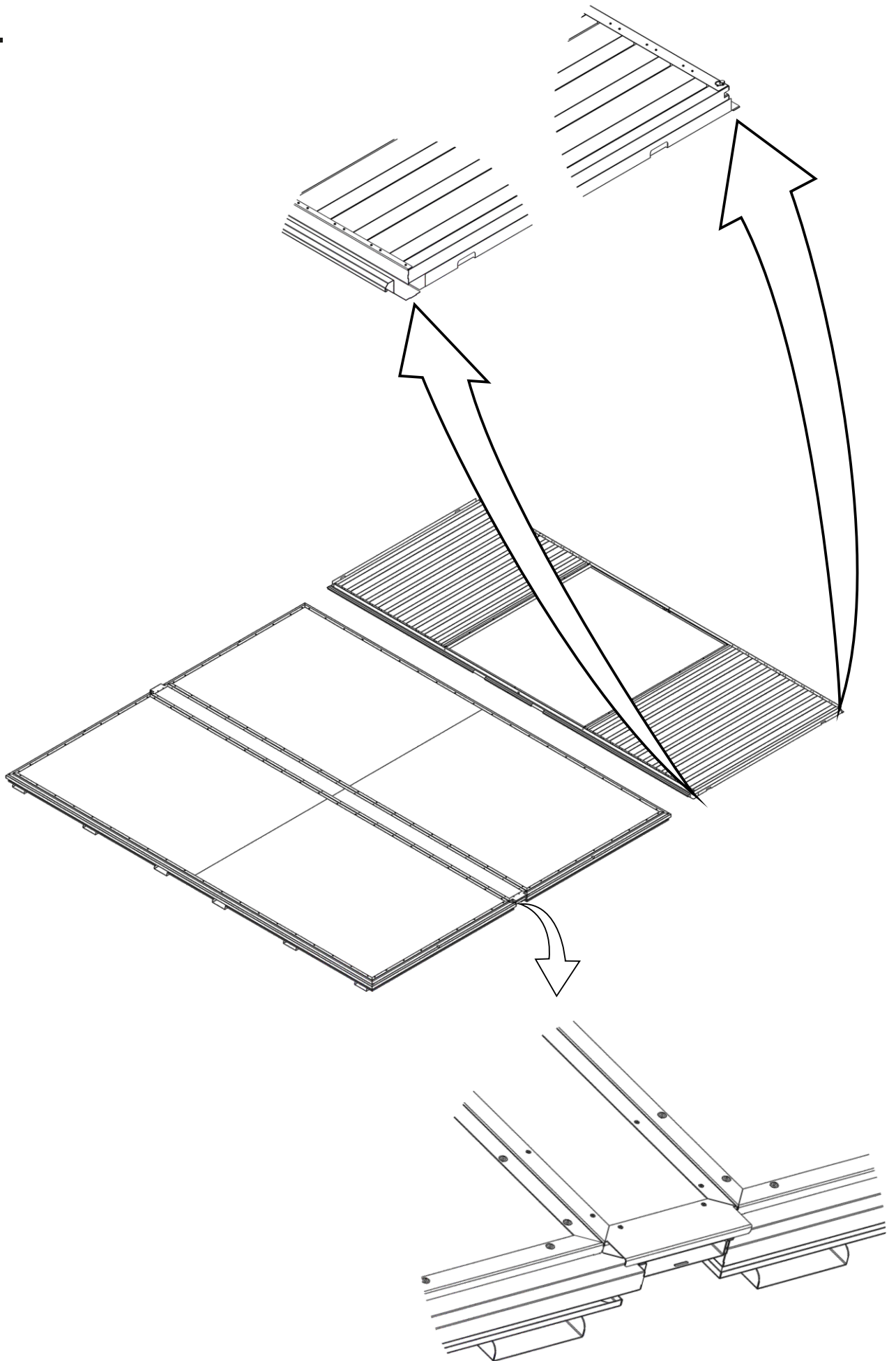
| | |
|---|---------|
|  | 24 pcs. |
|  | 2 pcs. |
|  | 2 pcs. |
|  | 10 pcs. |
|  | 10 pcs. |
|  | 10 pcs. |



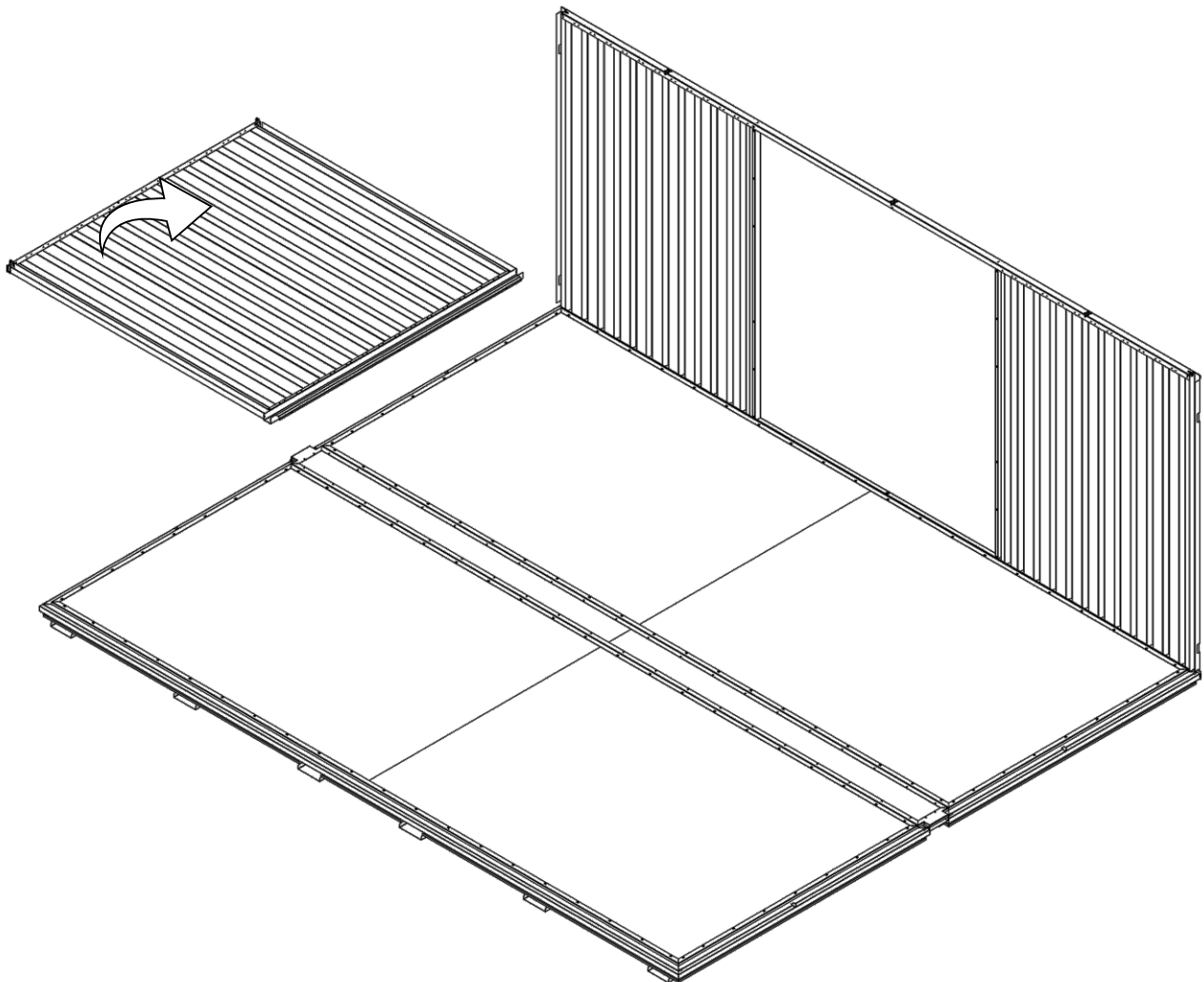
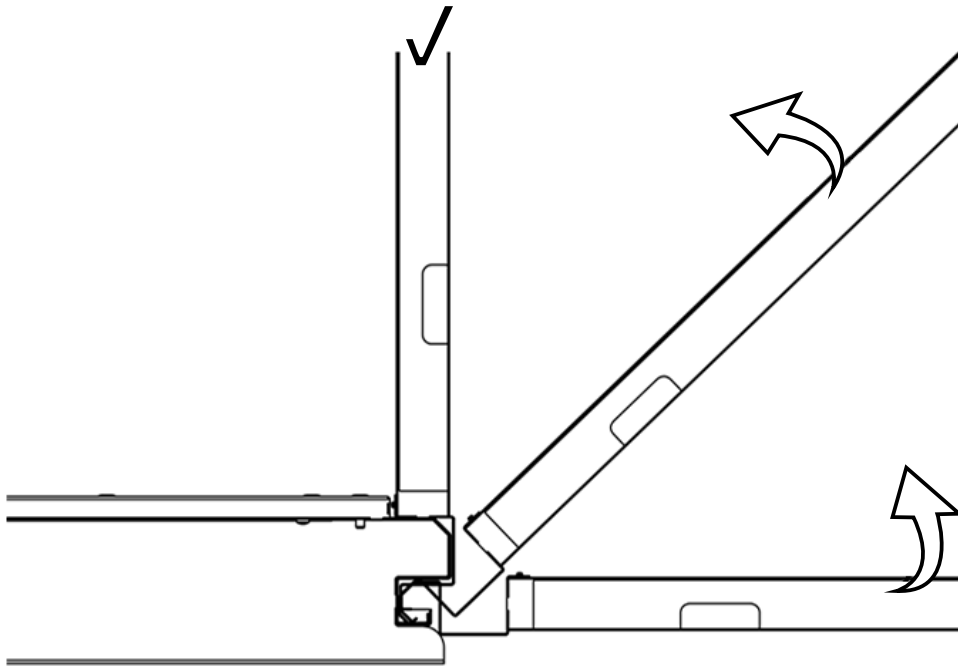
1.1.



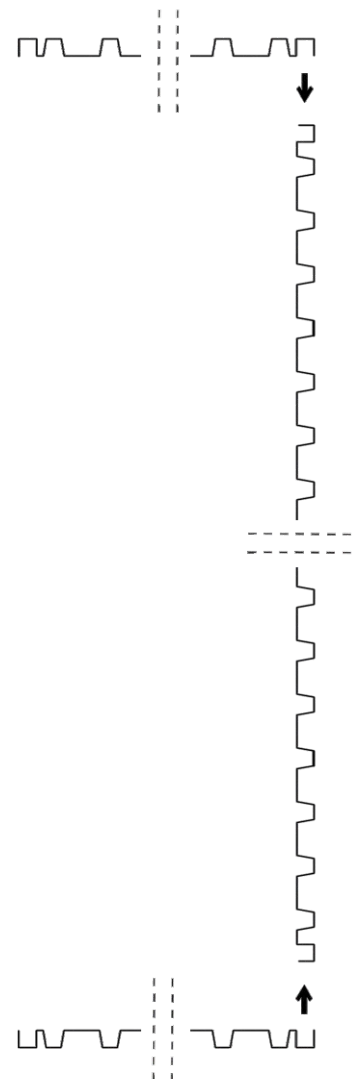
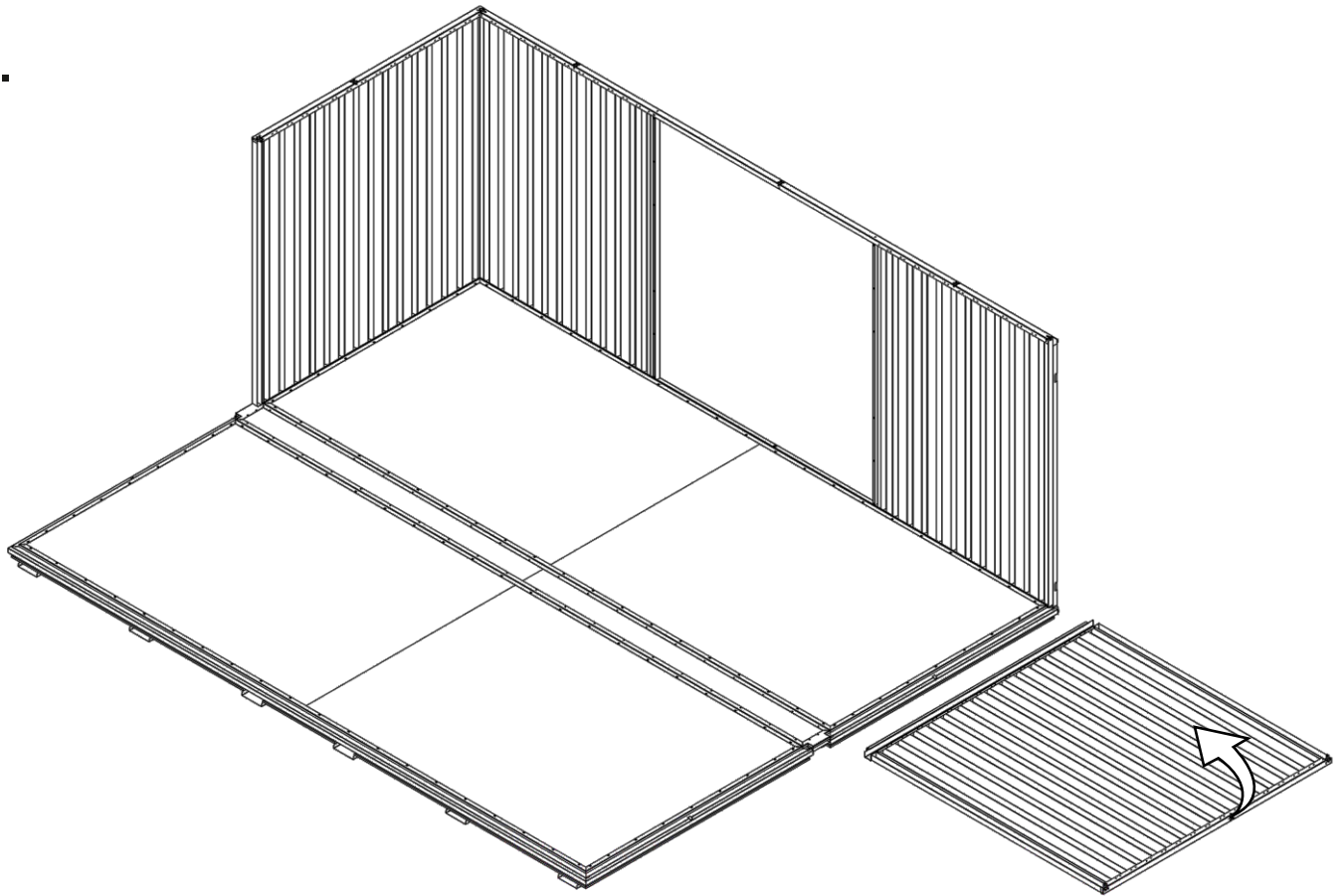
1.2.

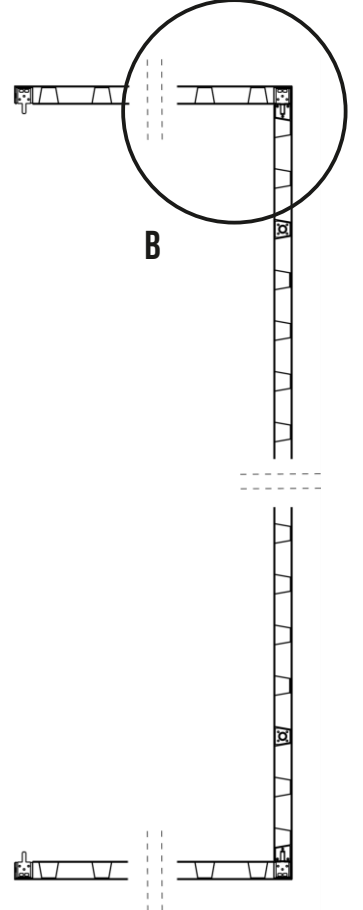
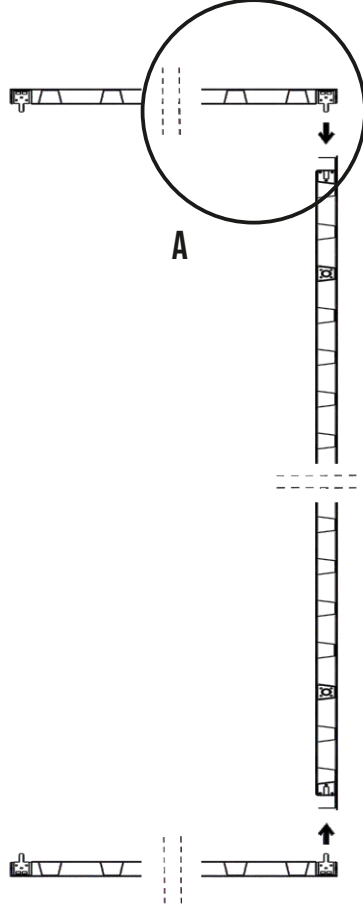
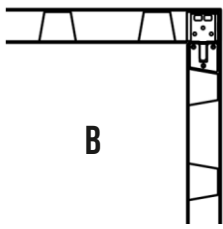
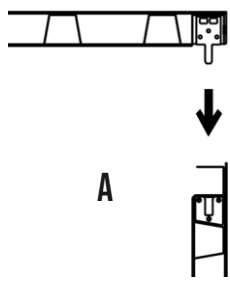


2.1.

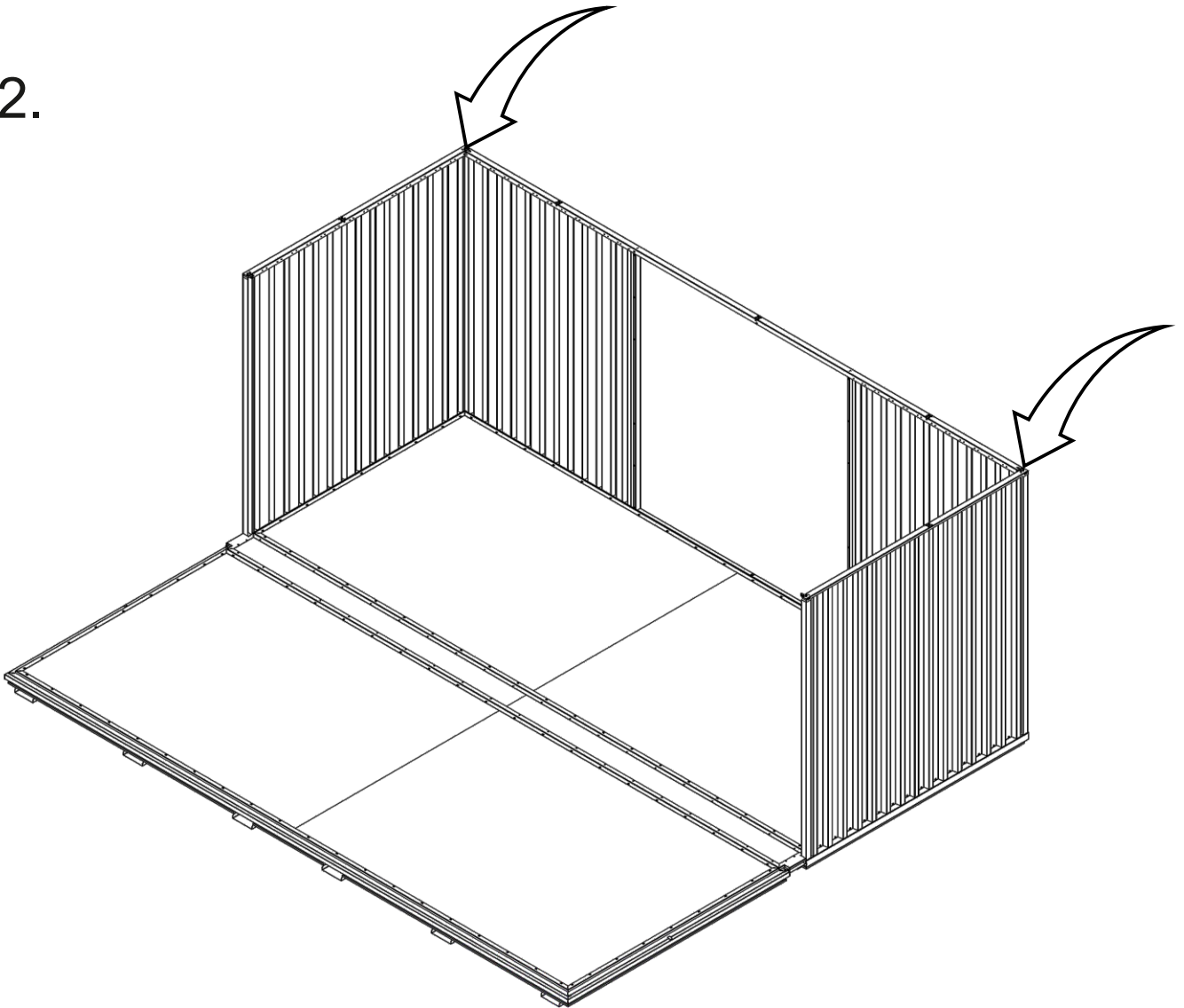


3.1.

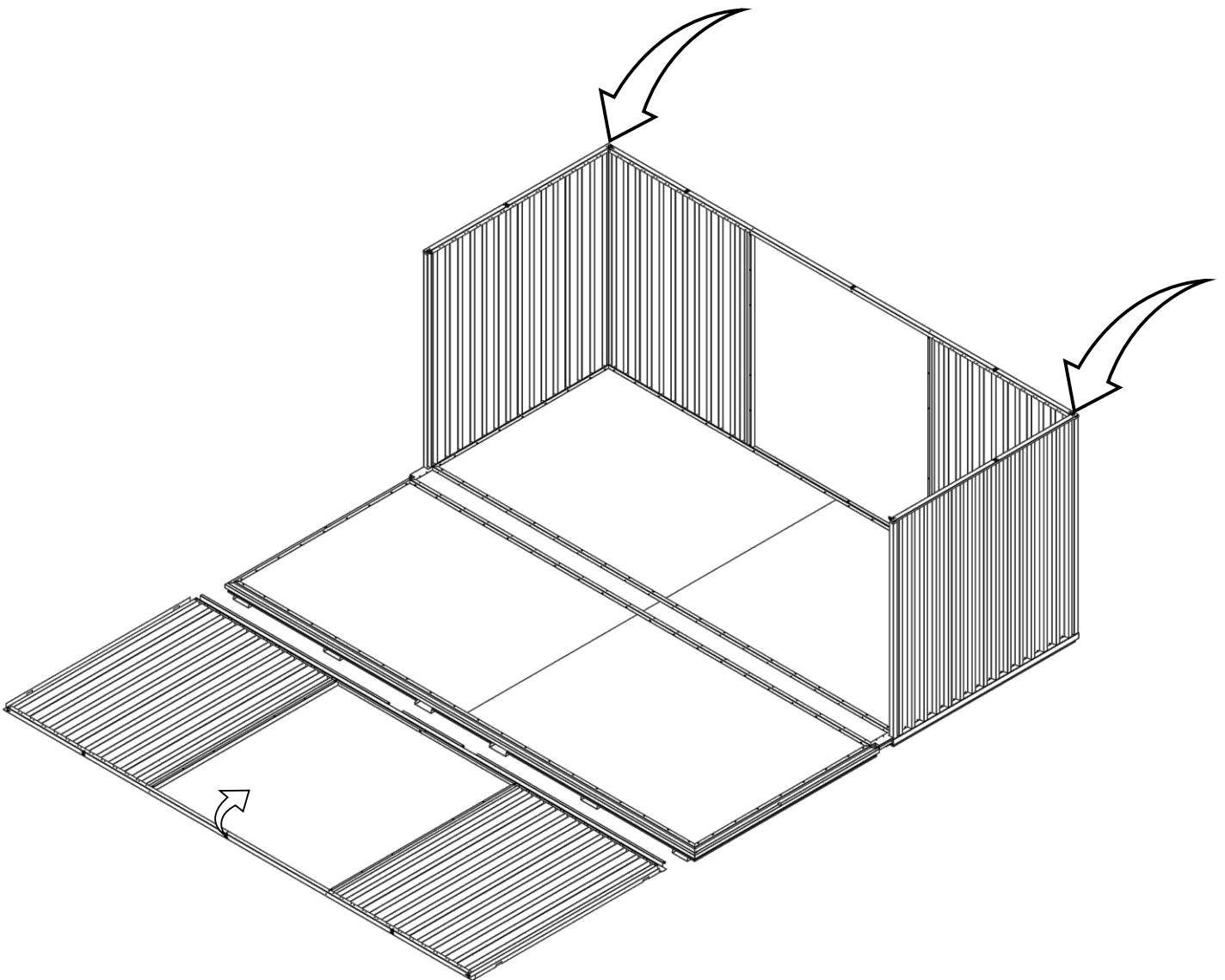
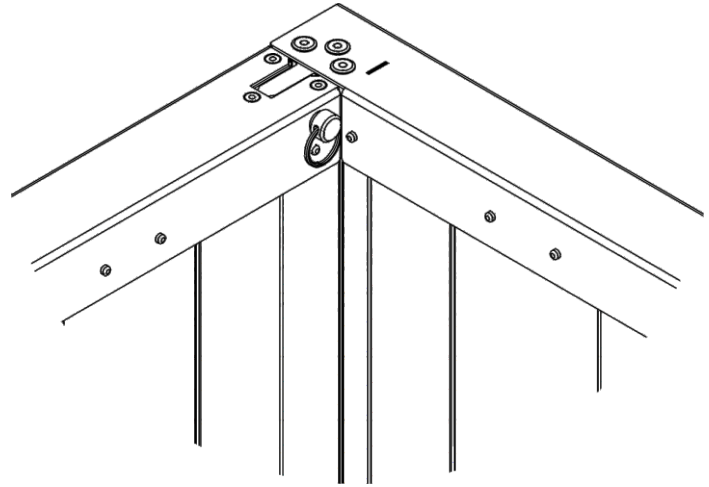
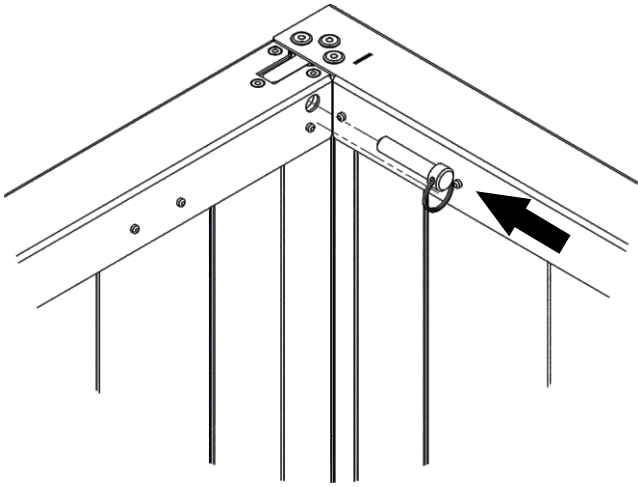




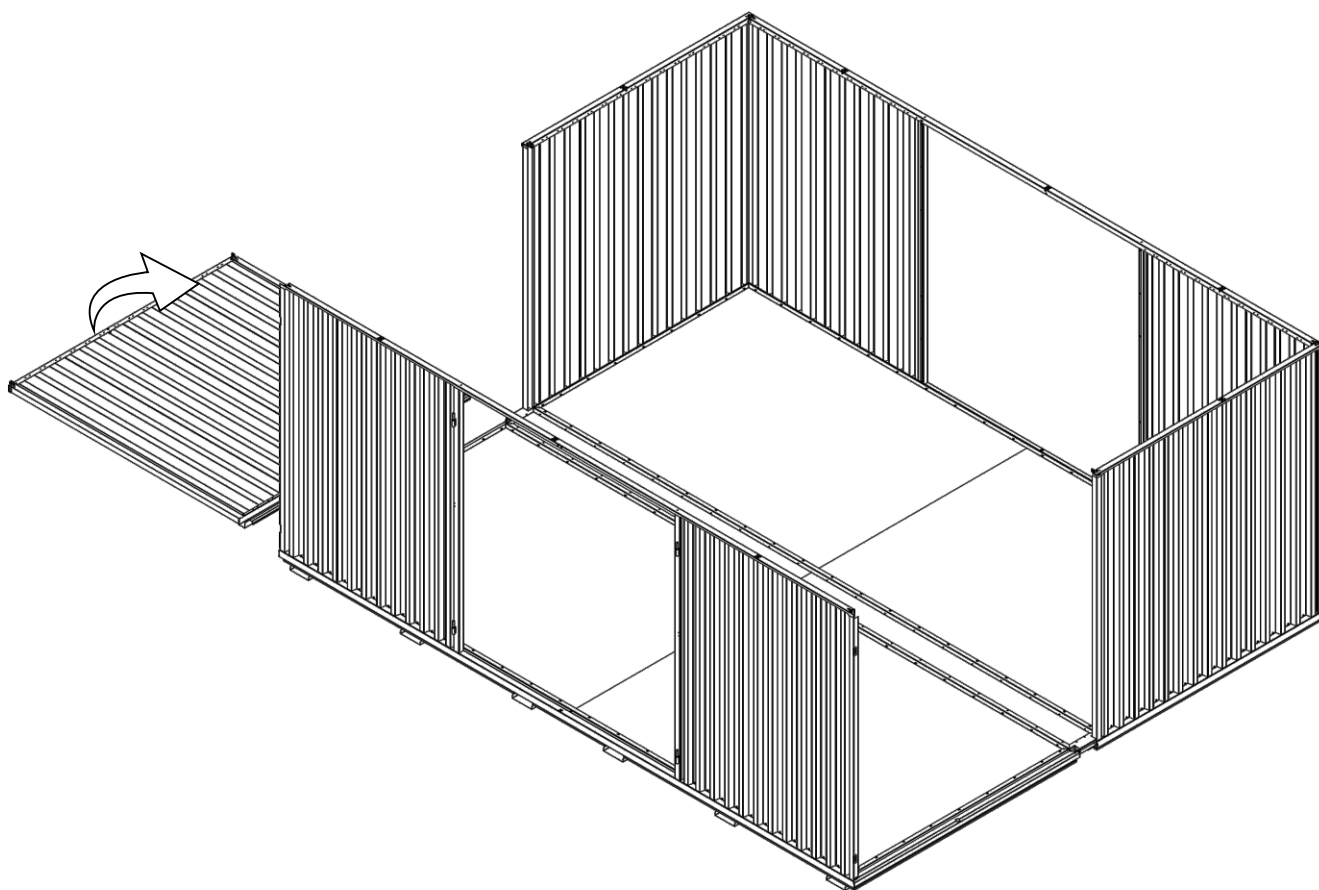
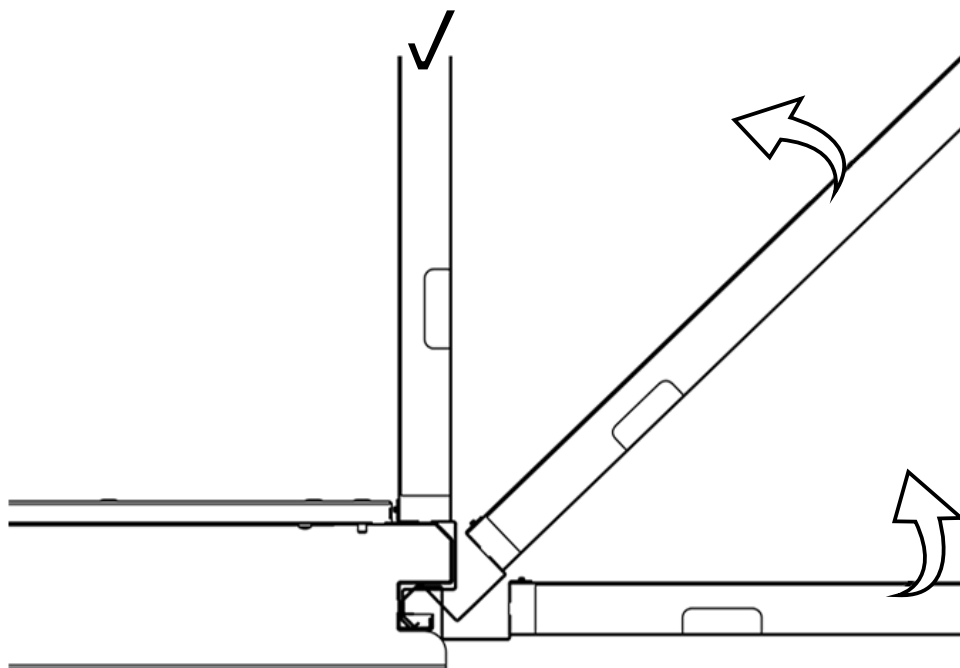
3.2.



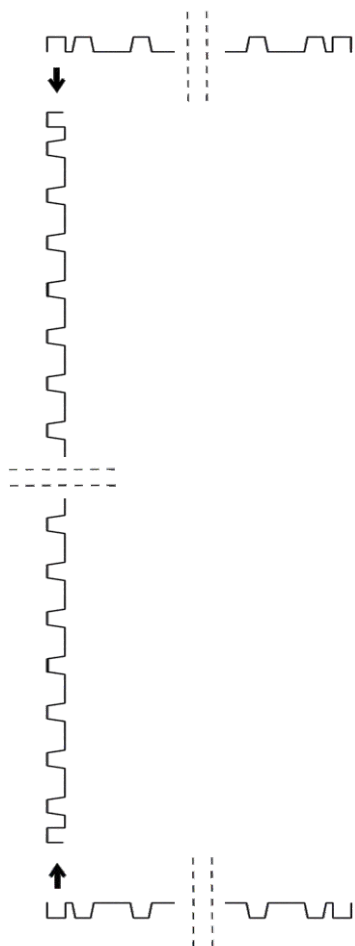
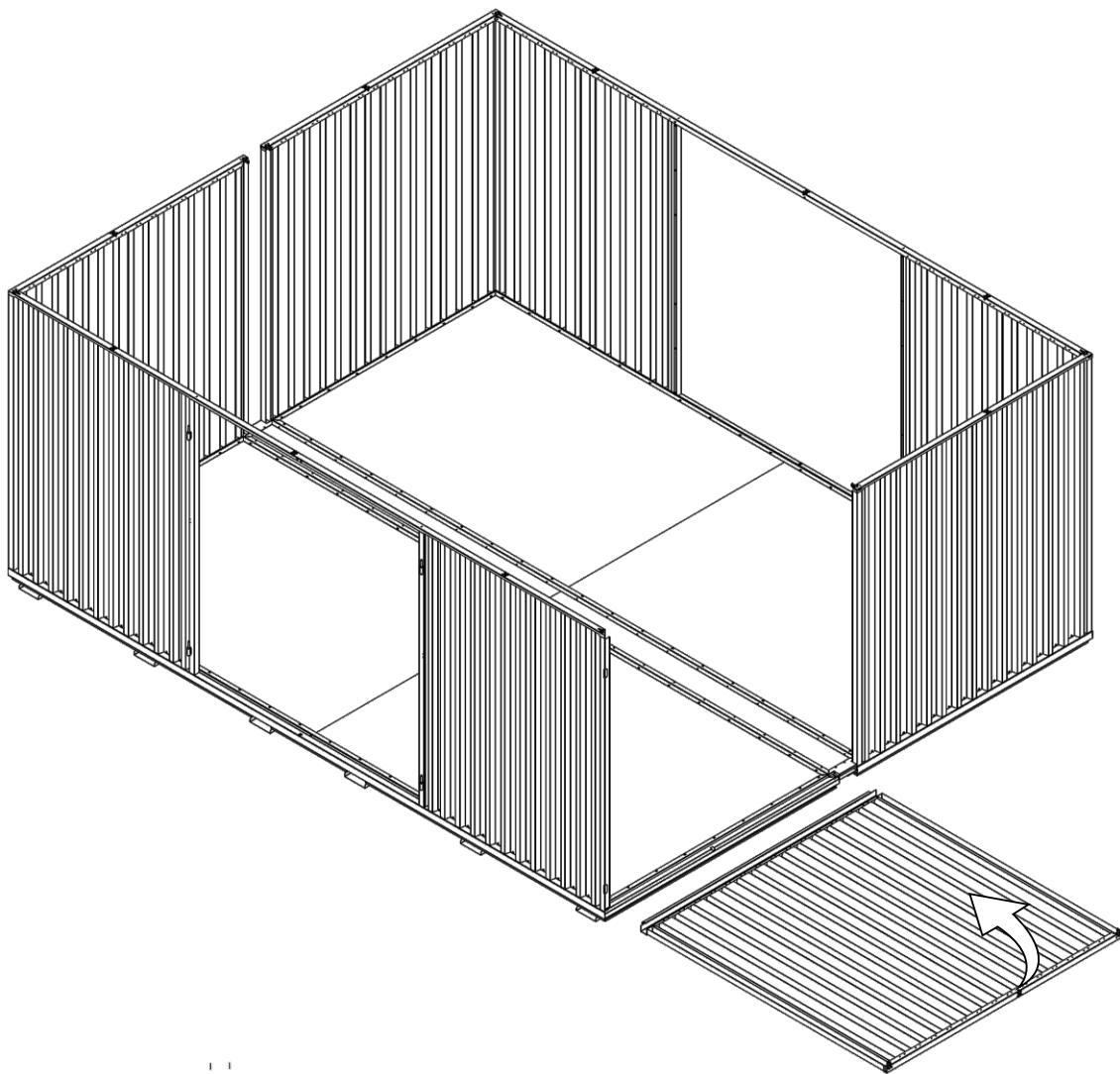
3.3.

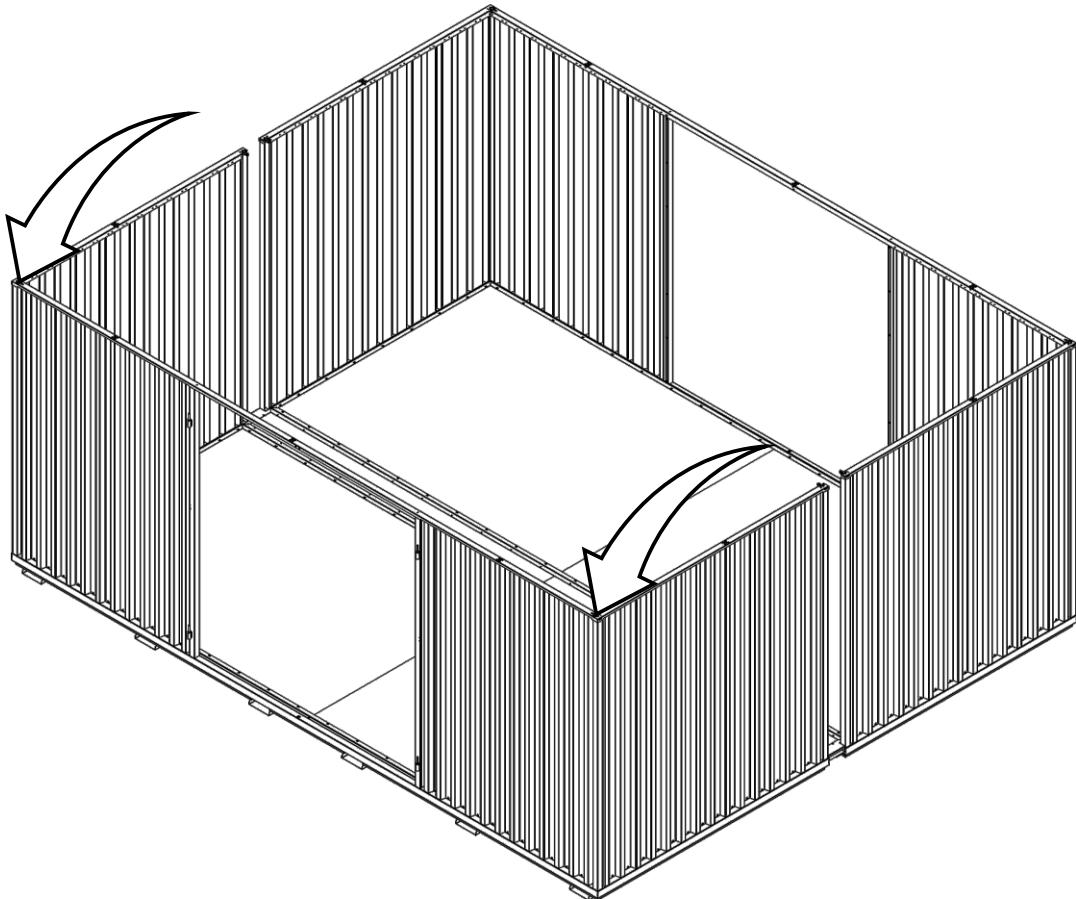
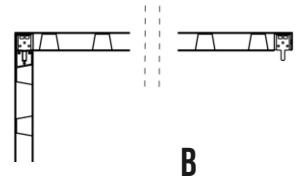
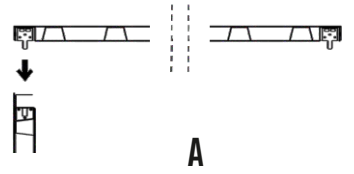
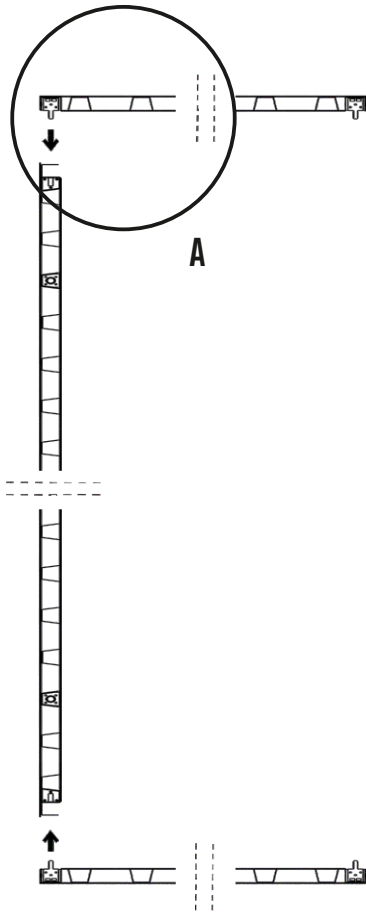
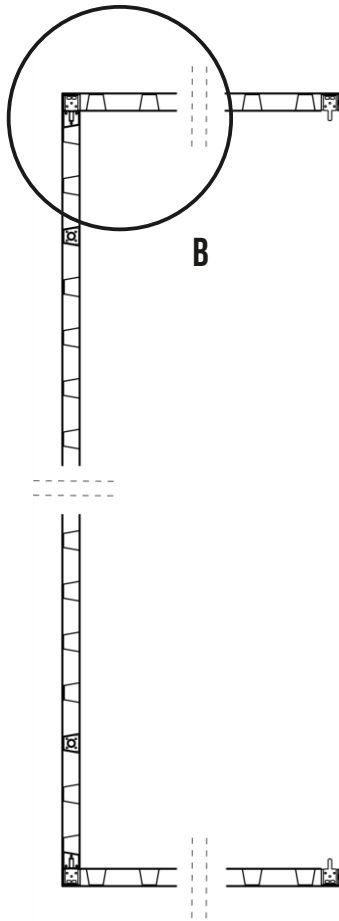


4.1.

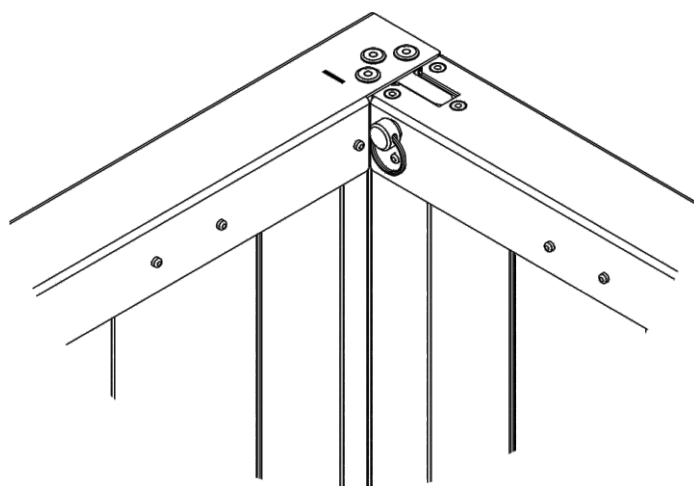
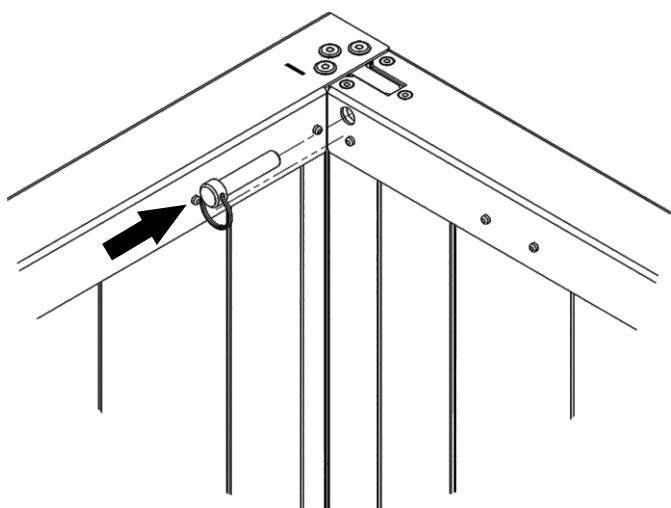
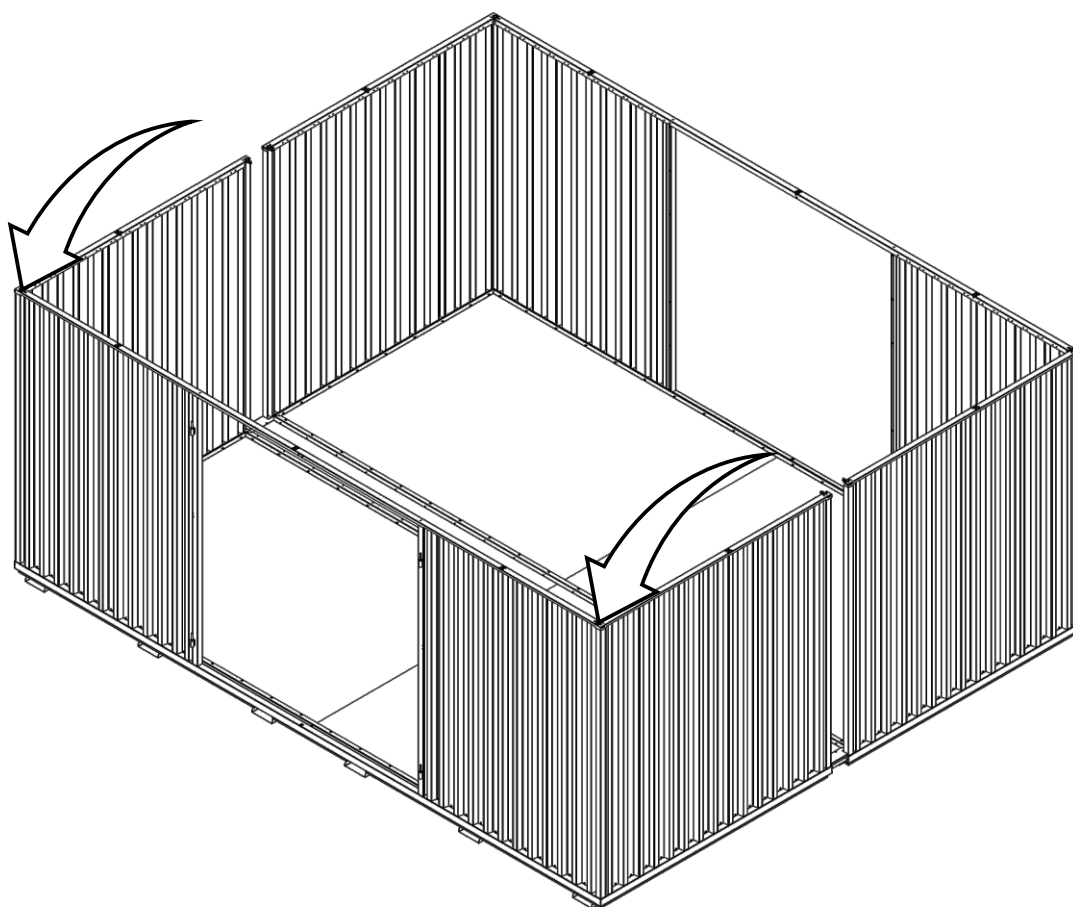


5.1.

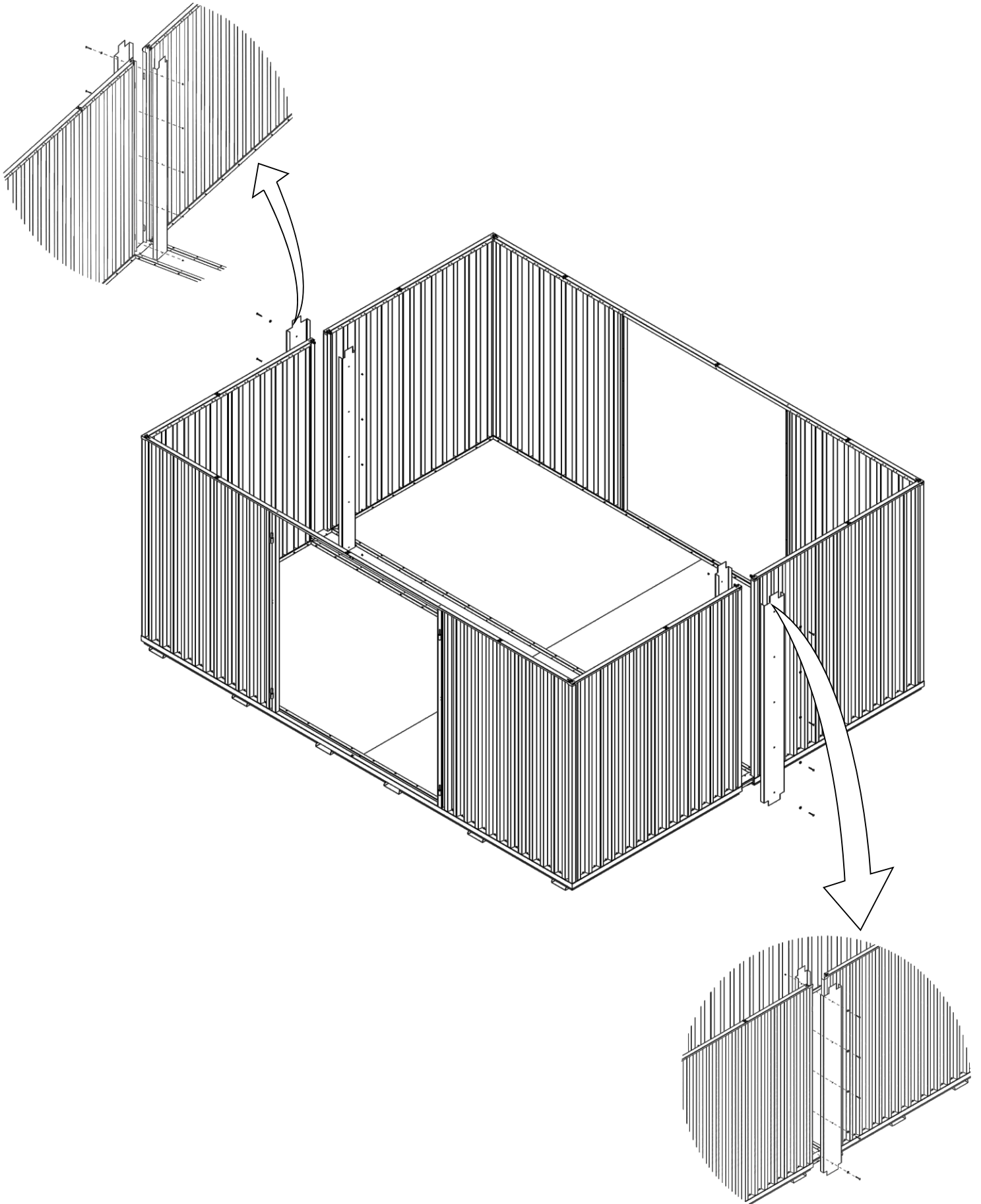




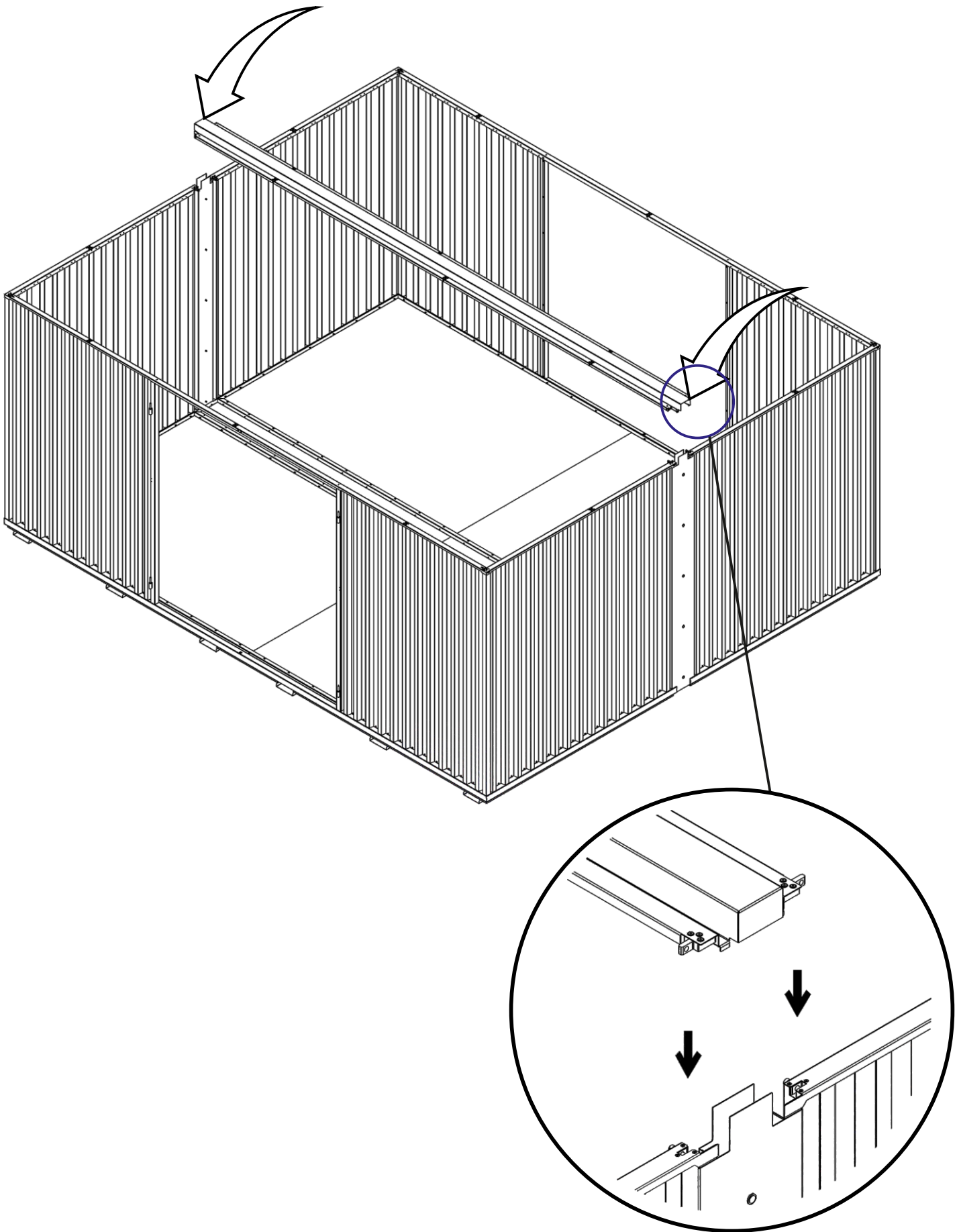
5.2.



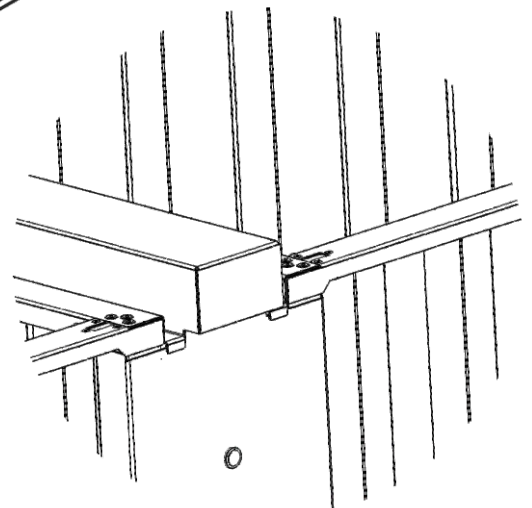
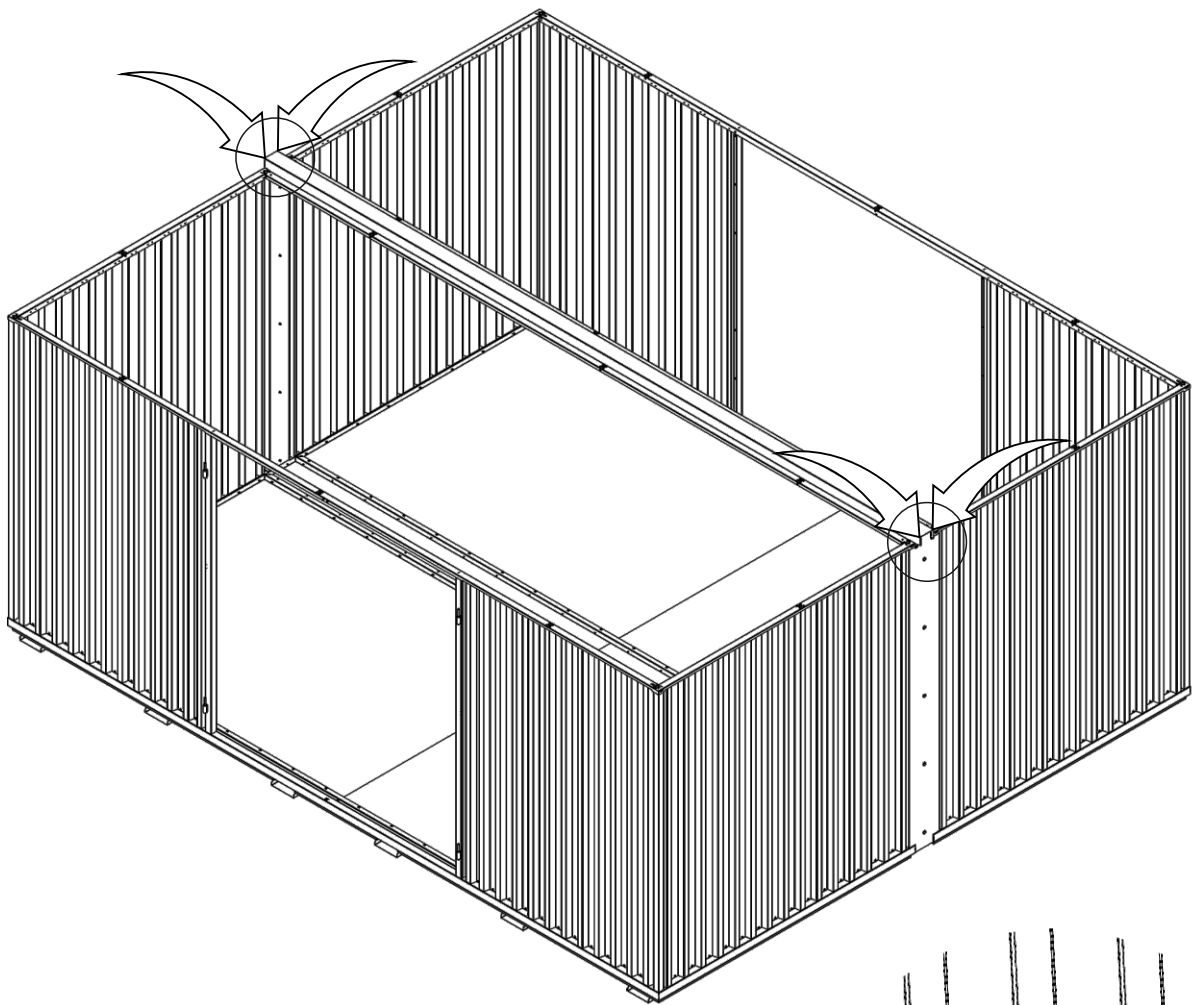
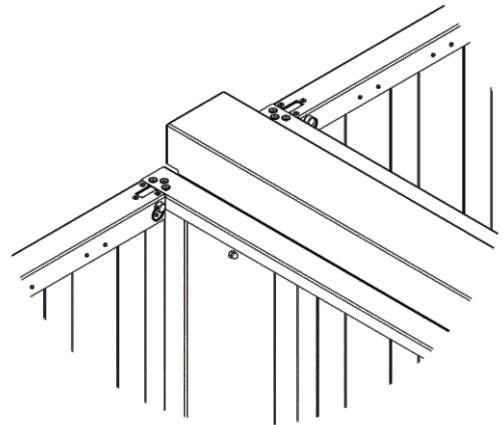
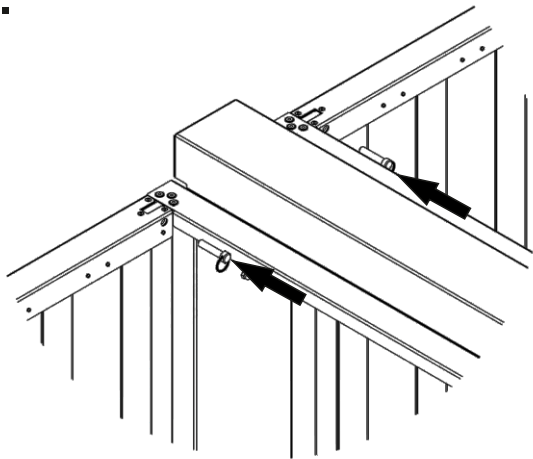
7.1.











8.1.

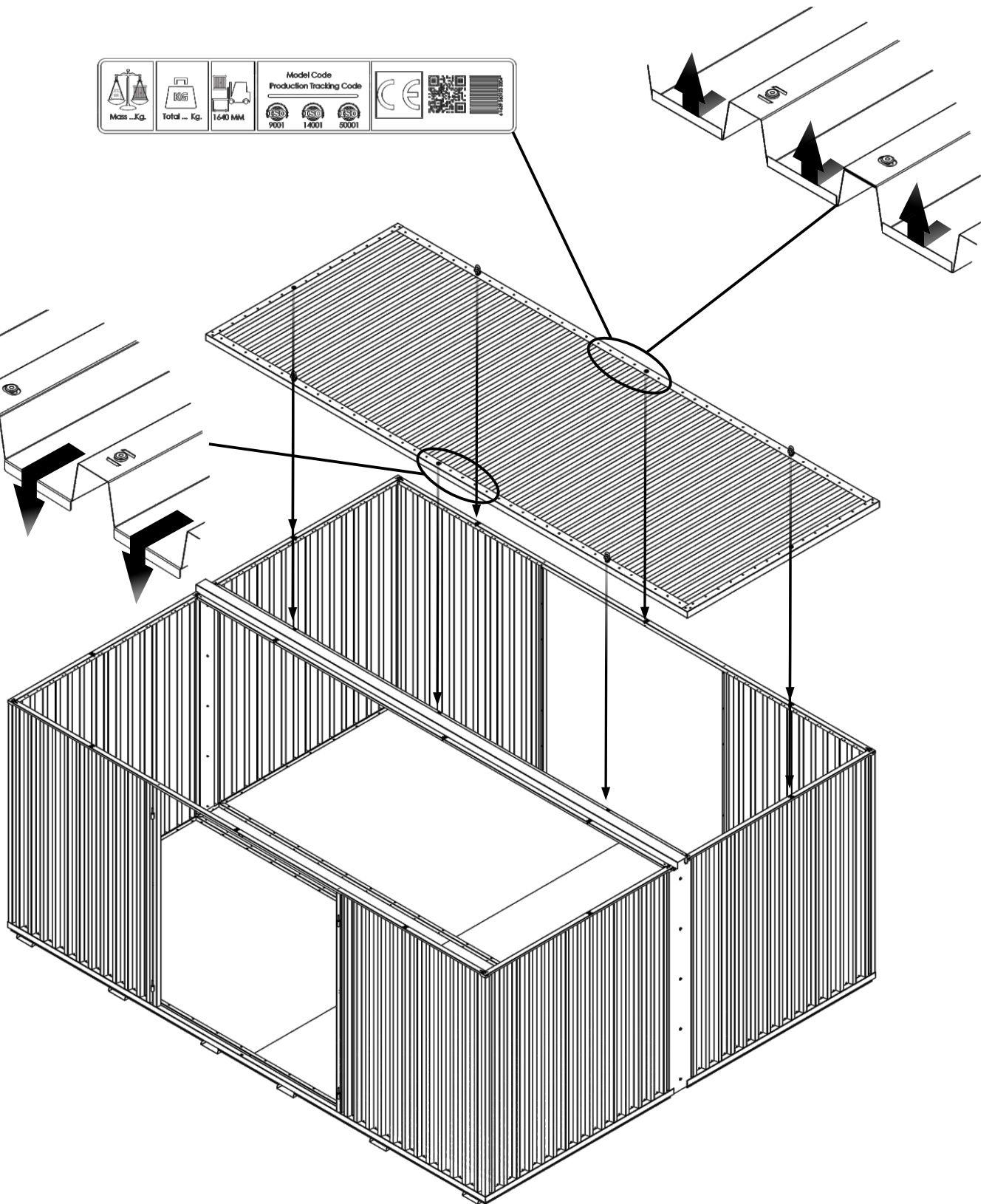


8.2.

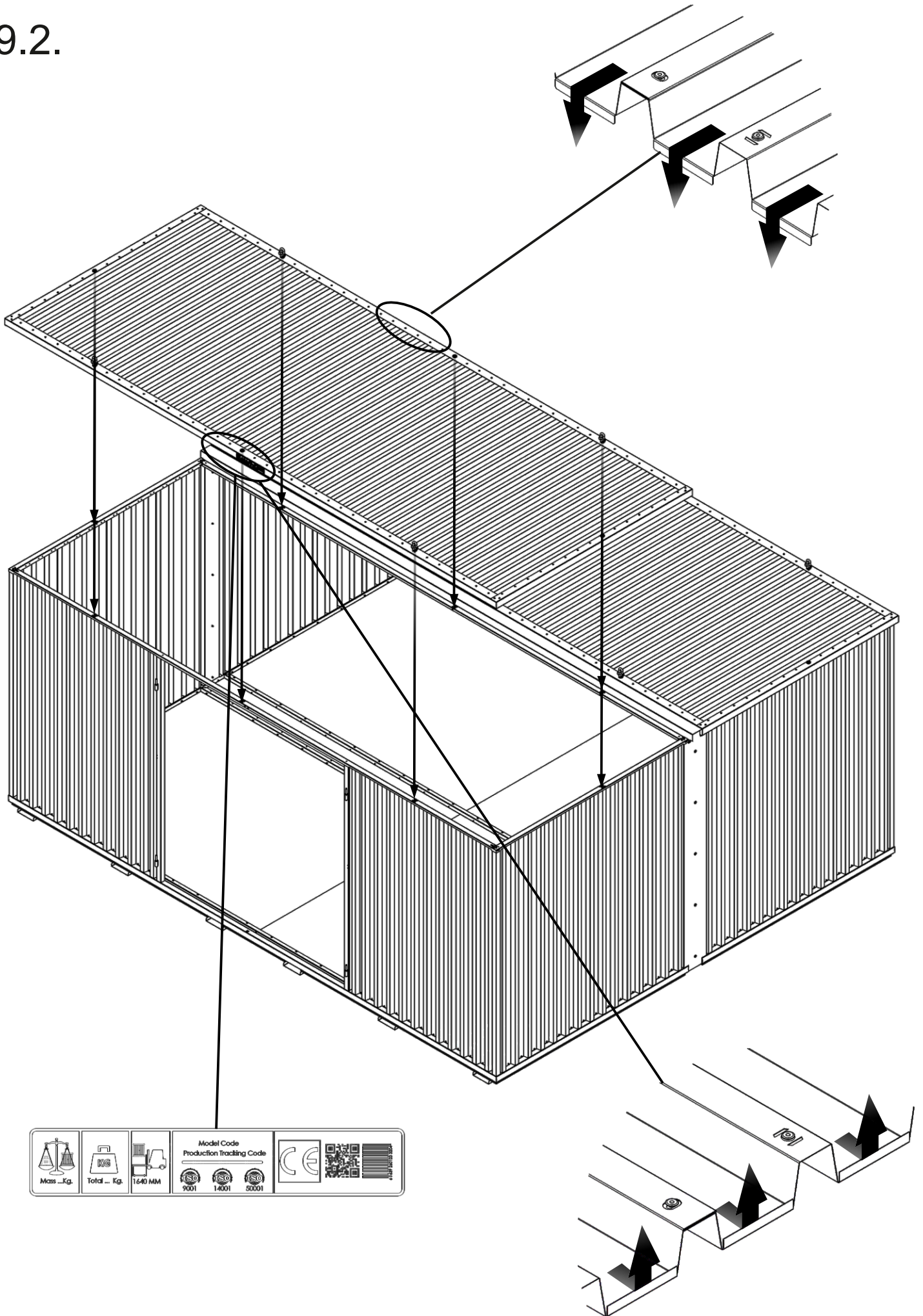


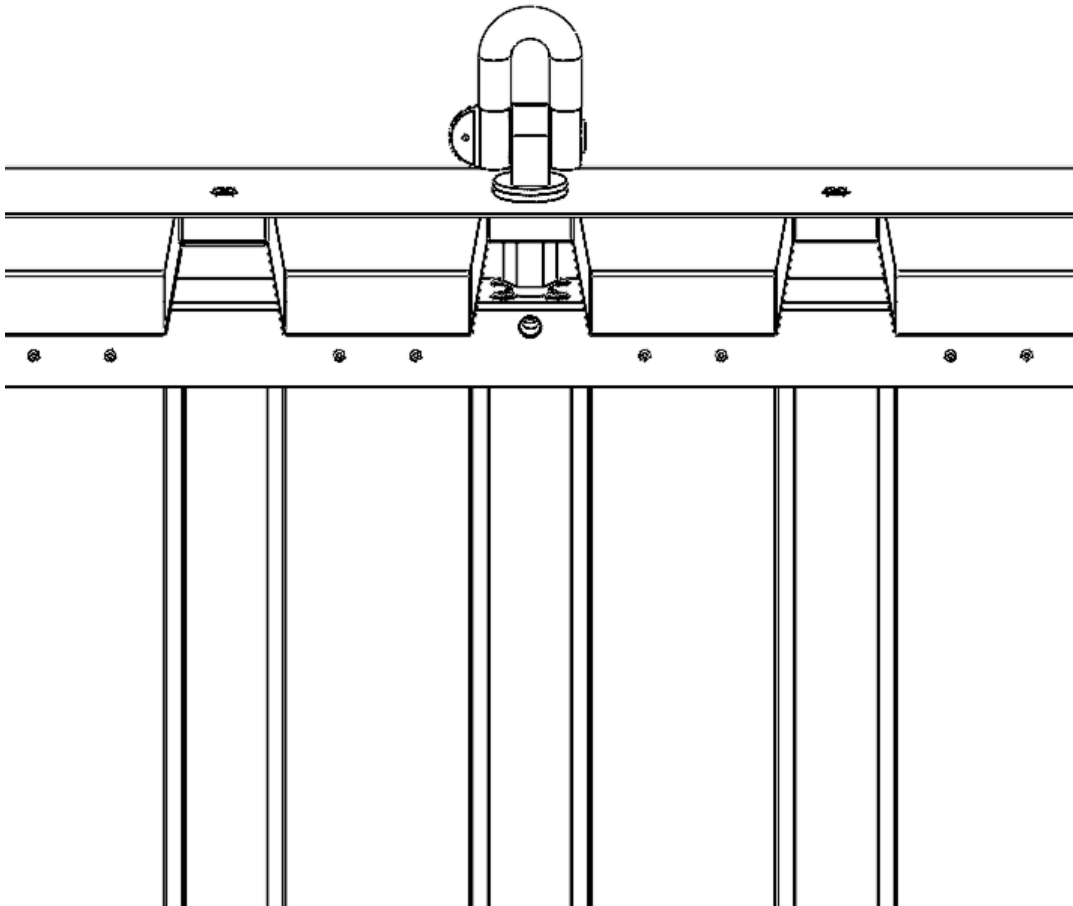
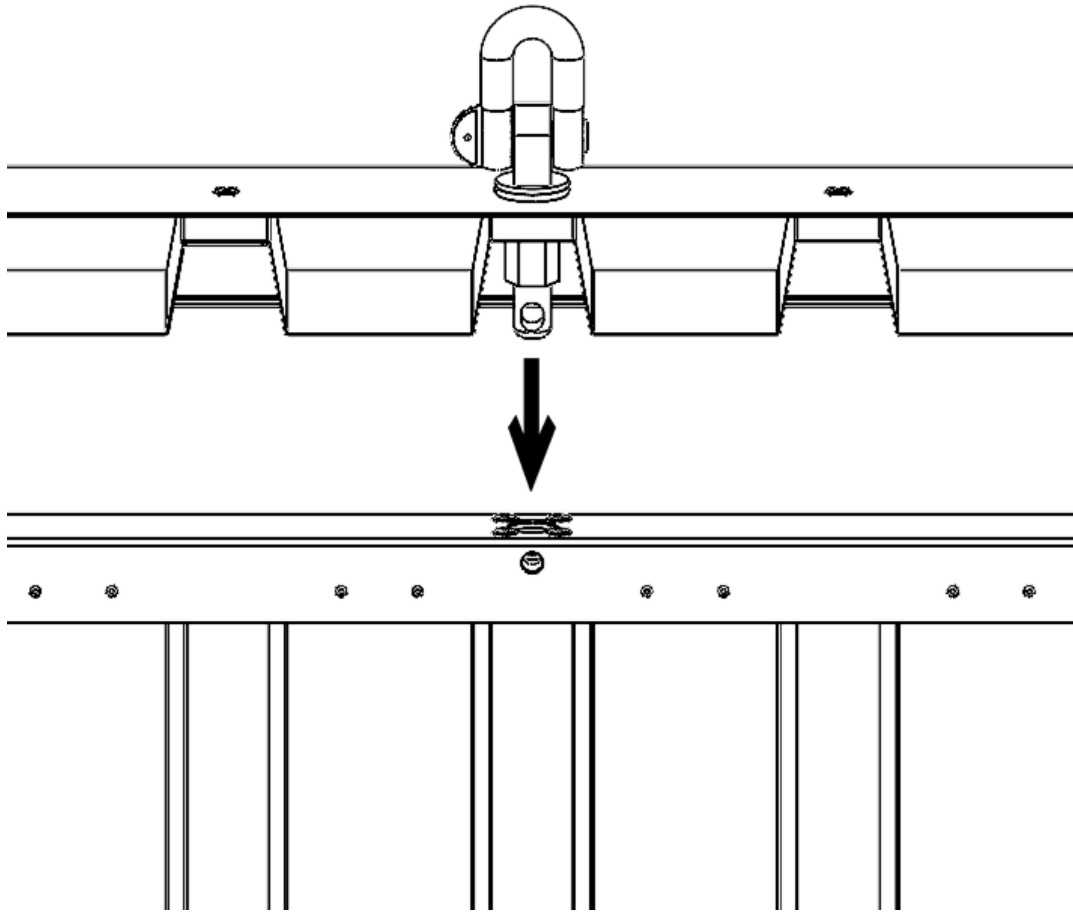
9.1.

| | | | | | |
|--|--|--|---|---|---|
|  Mass ...Kg. |  Total ... Kg. |  1640 MM | Model Code Production Tracking Code    |  |  |
|--|--|--|---|---|---|



9.2.





9.4.

