



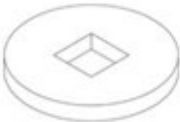

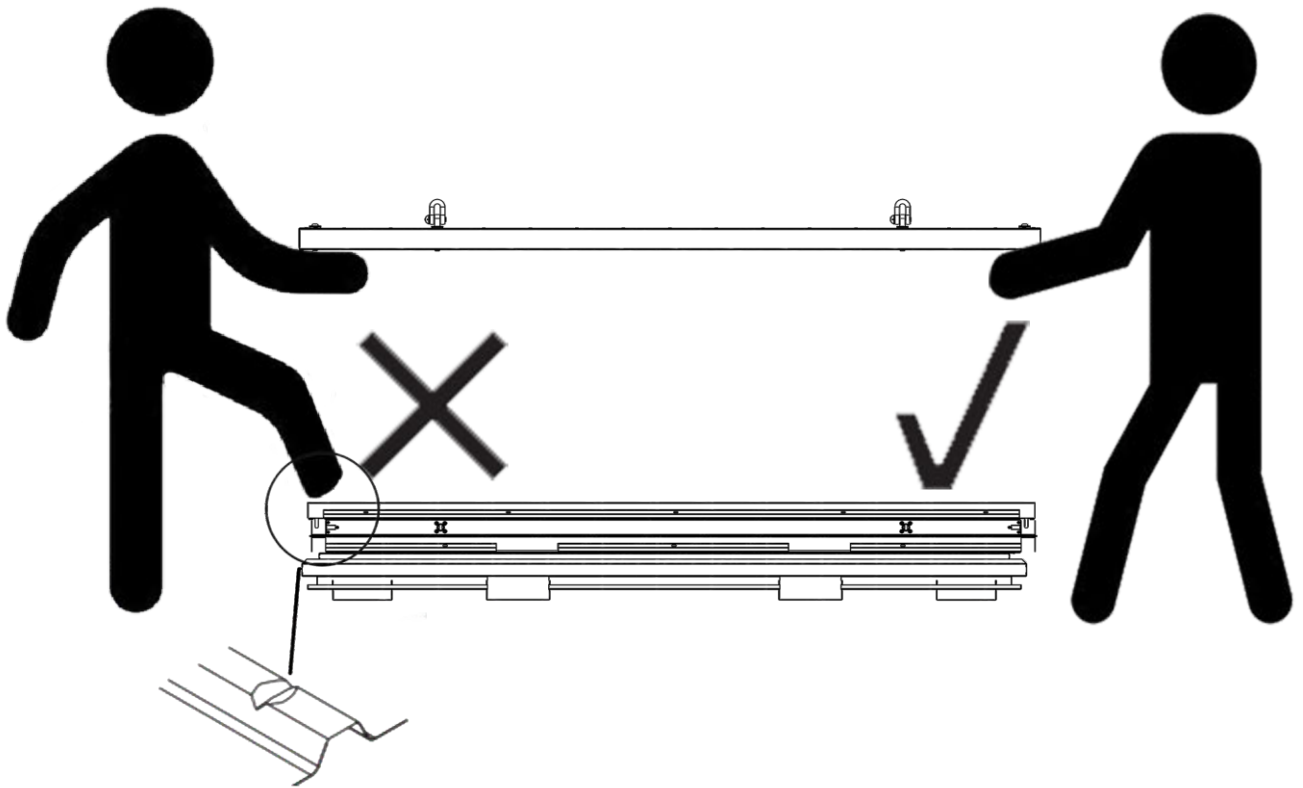
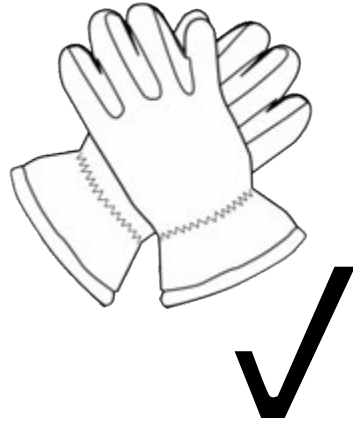
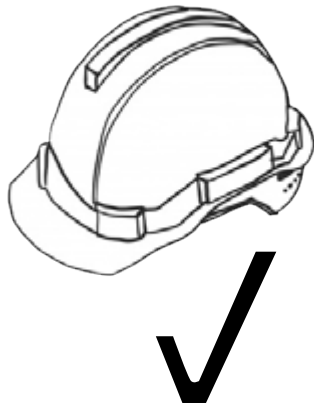


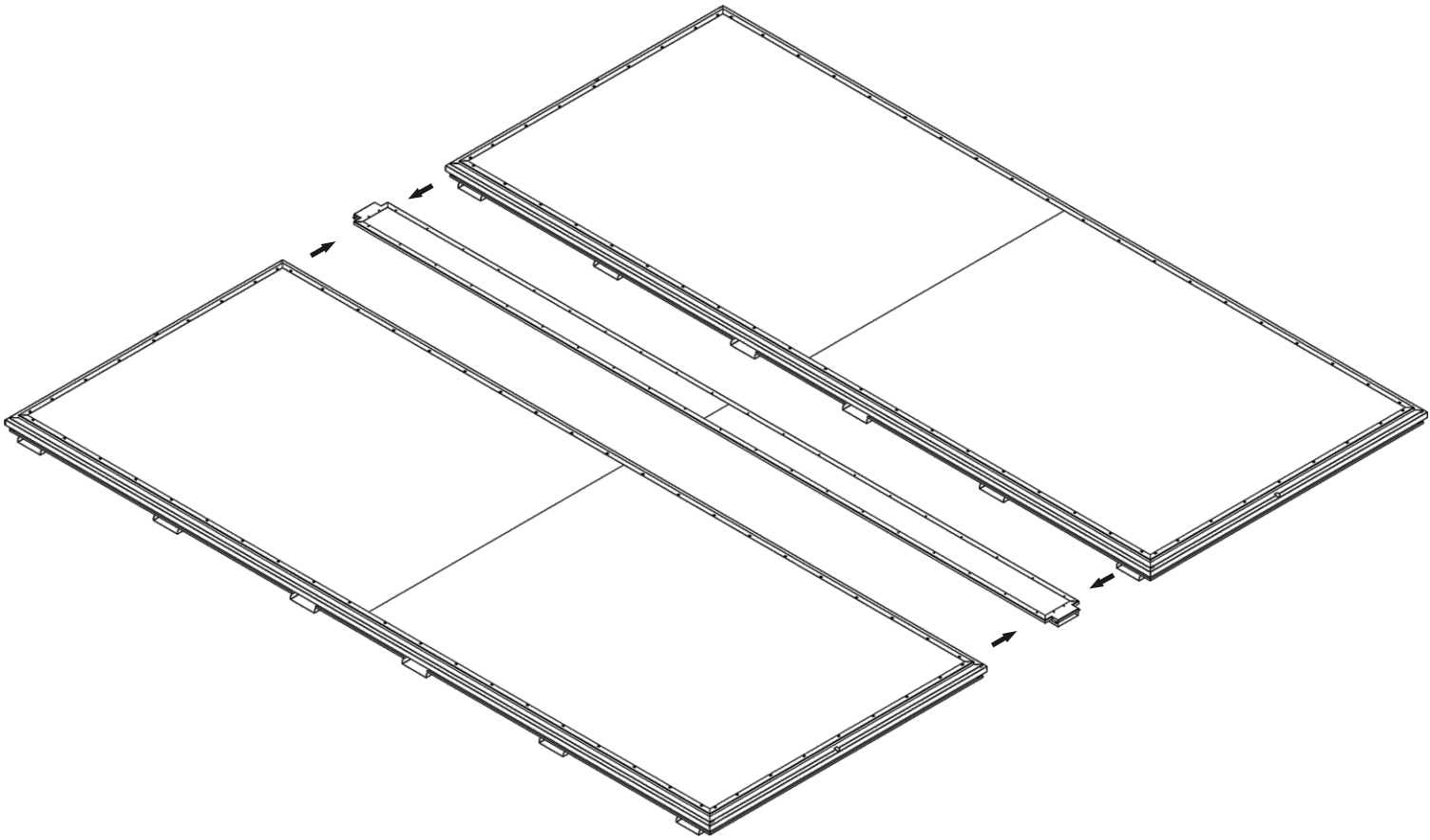
# PRODUCT CODE :505.110.430



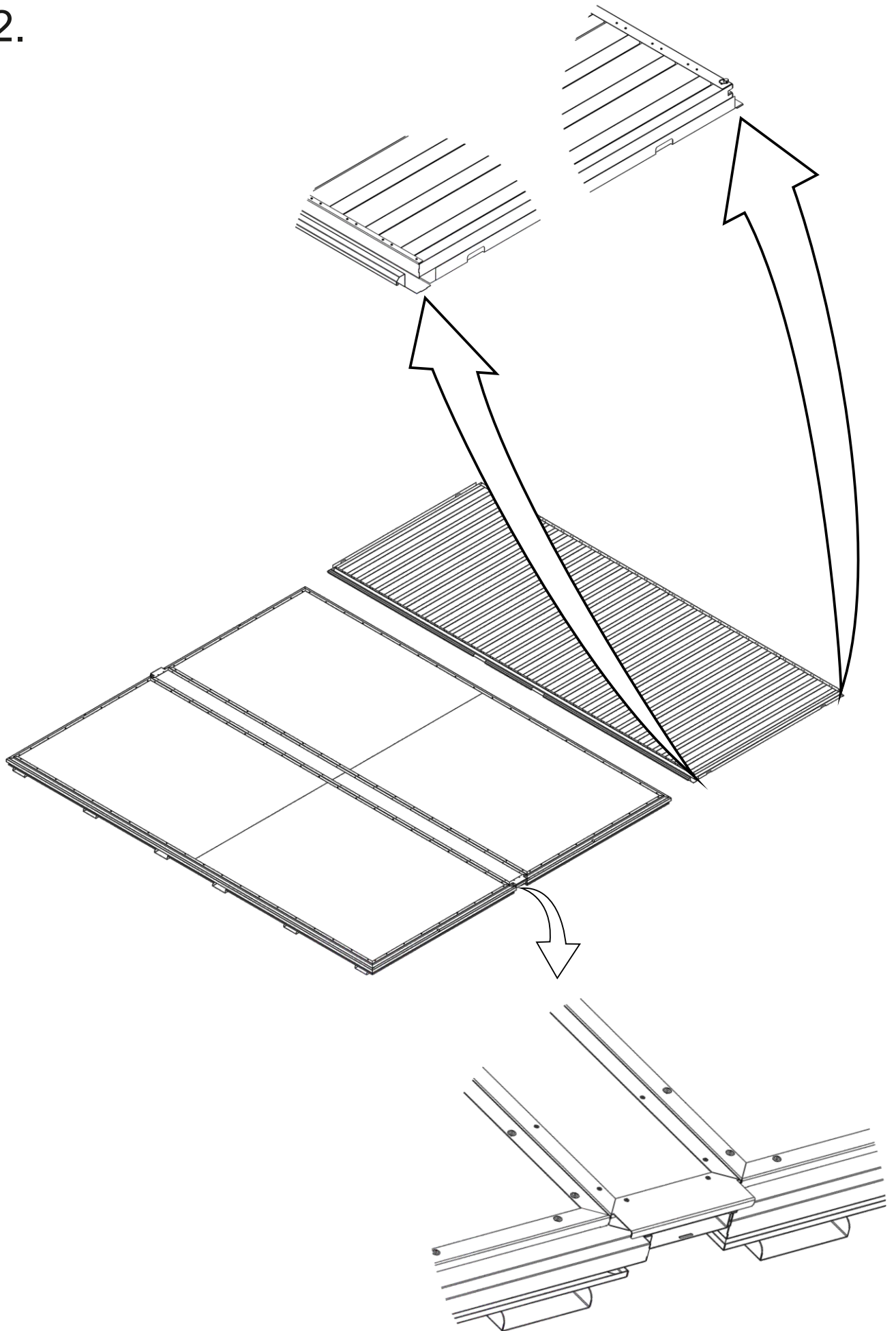
	24 pcs.
	1 pcs.
	1 pcs.
	10 pcs.
	10 pcs.
	10 pcs.



1.1.

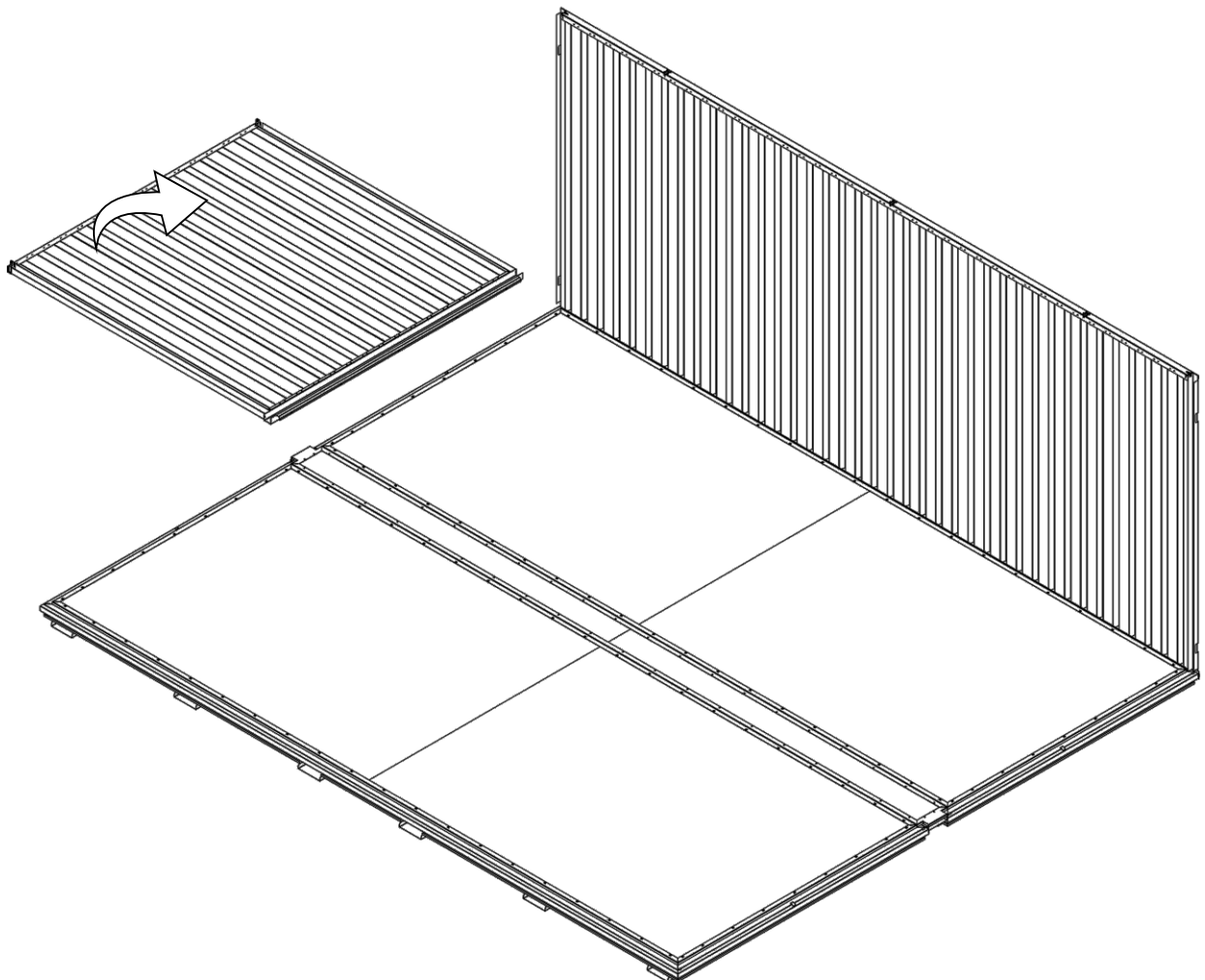
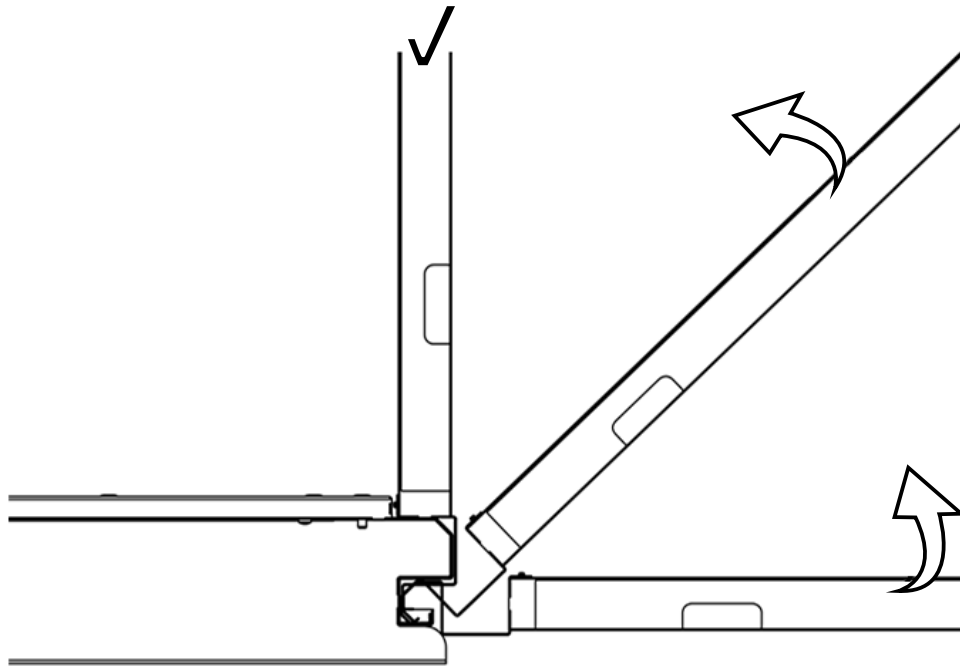


1.2.

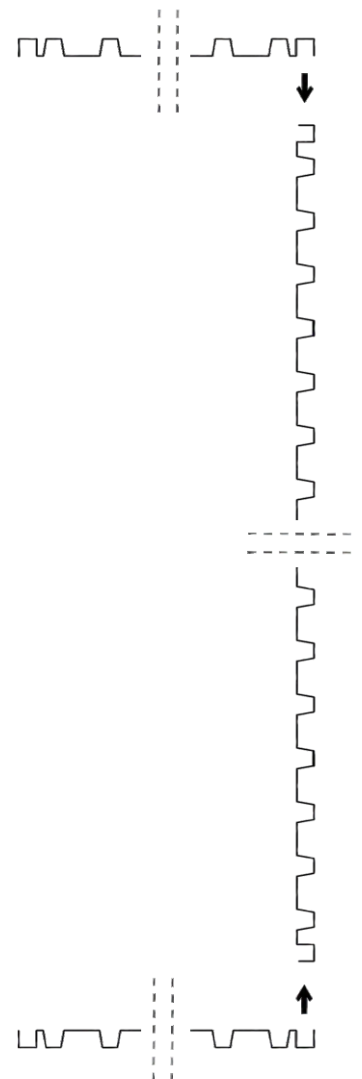
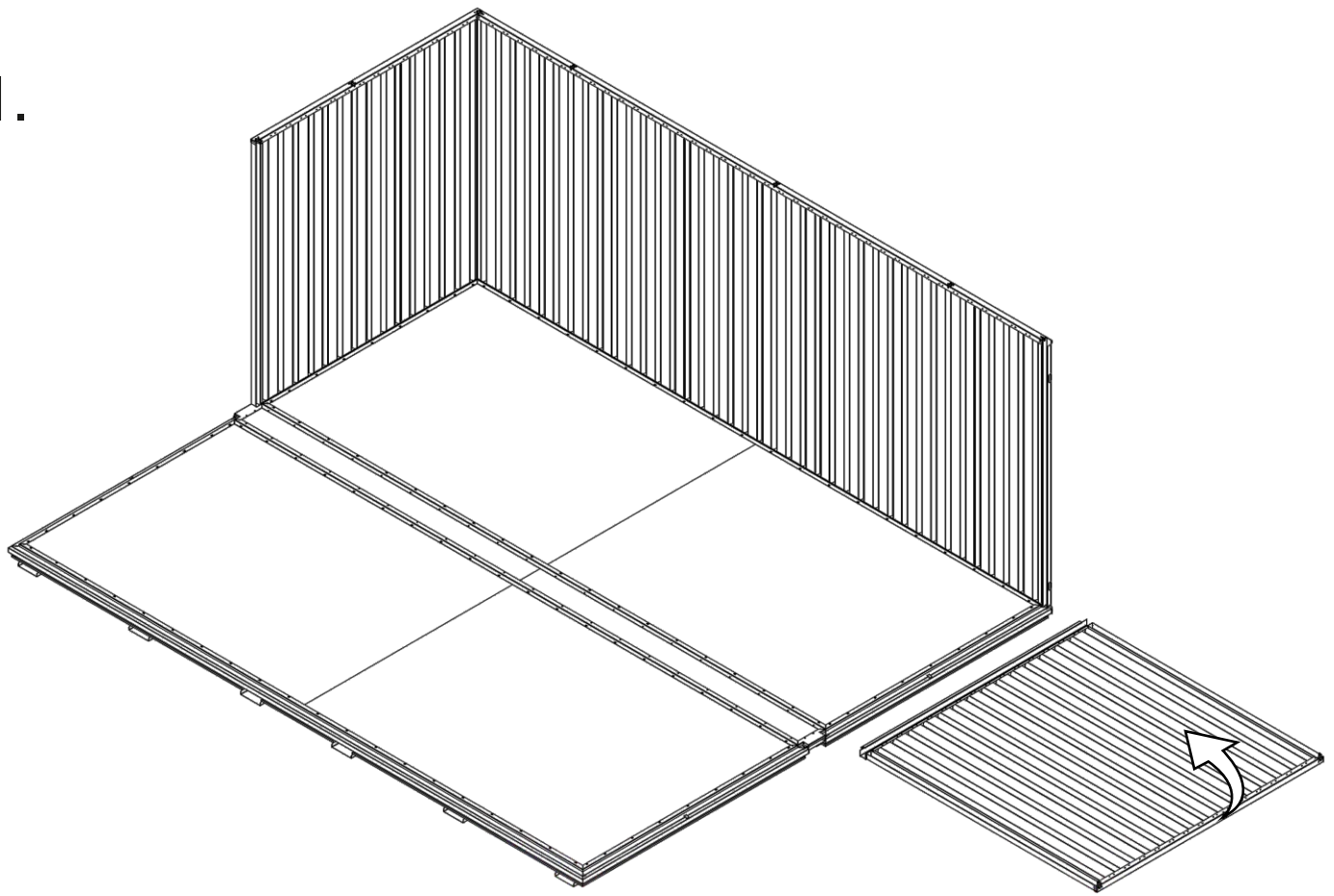


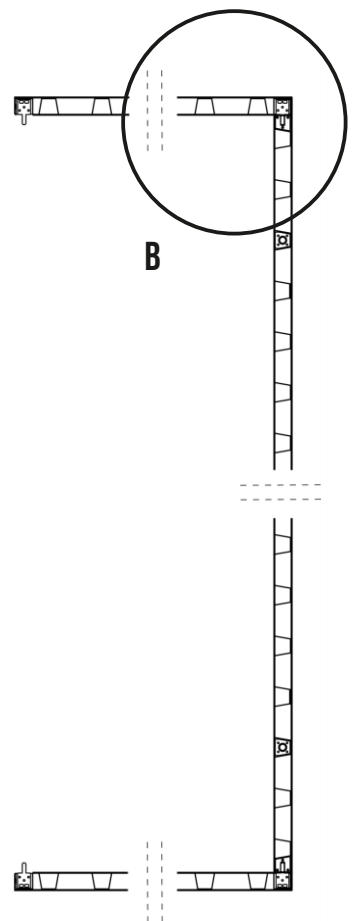
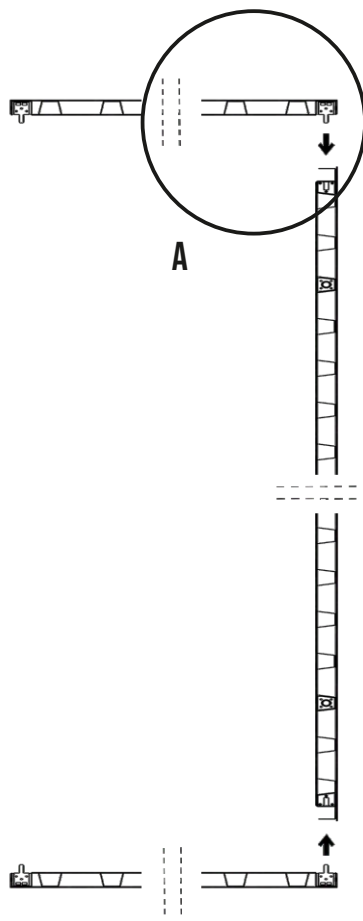
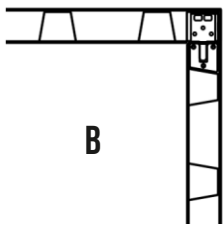
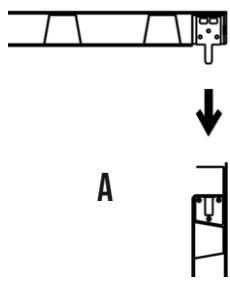


2.1.

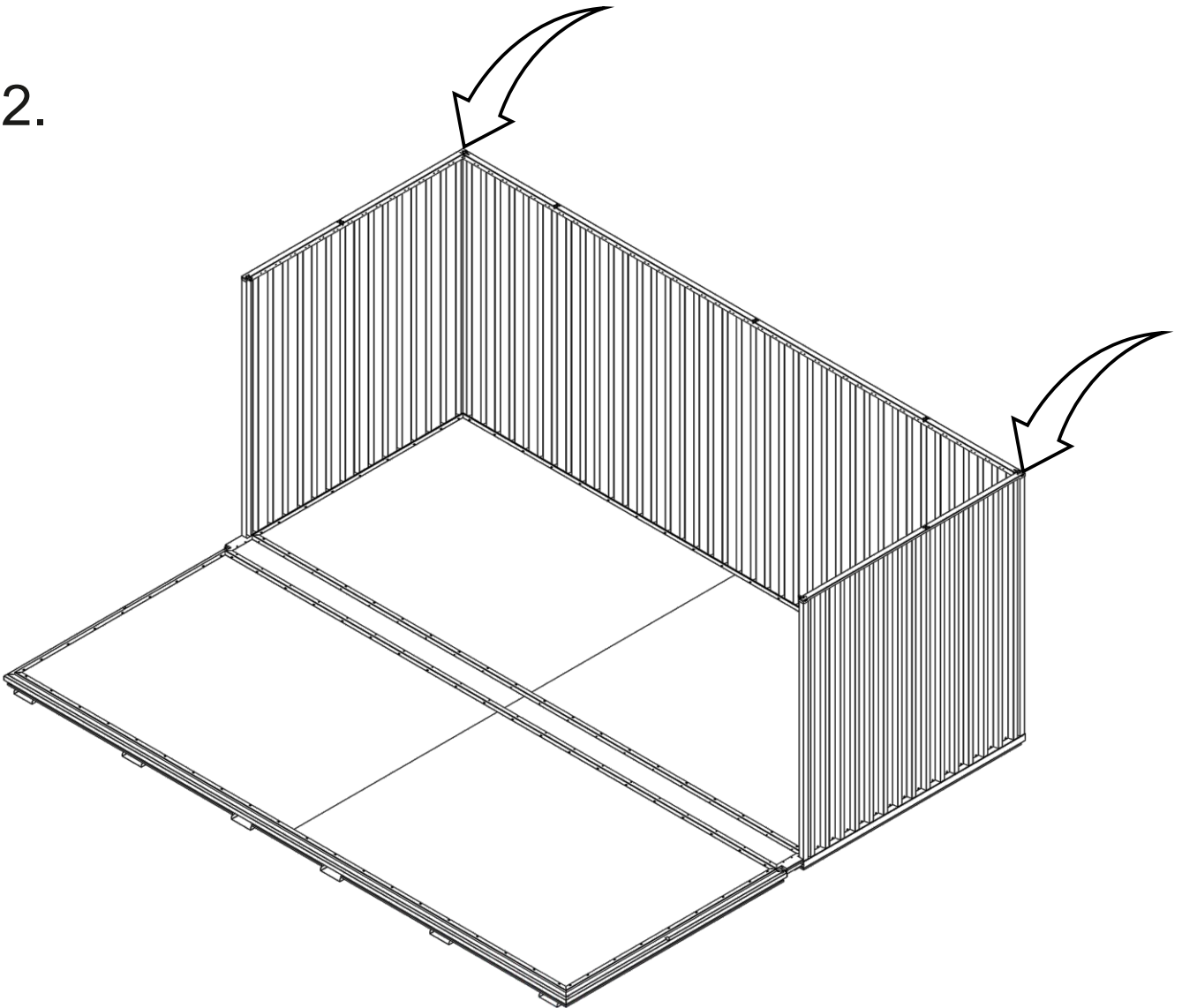


3.1.

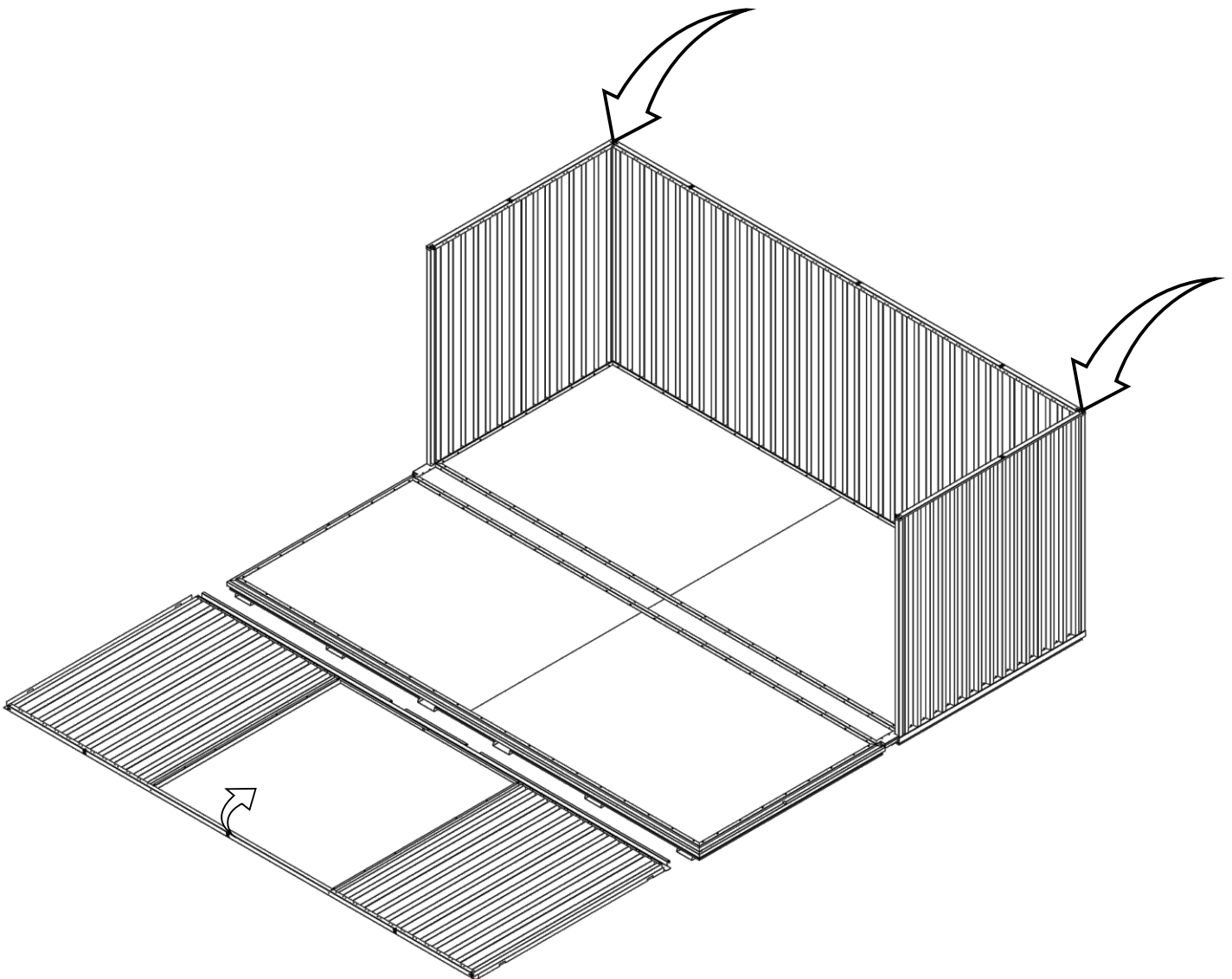
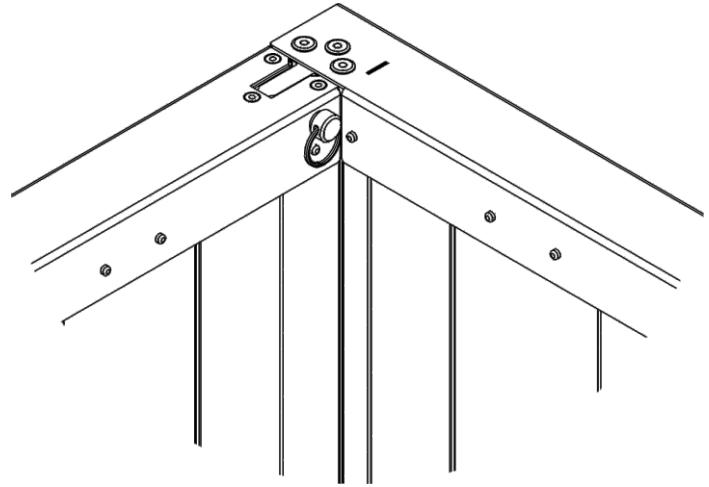
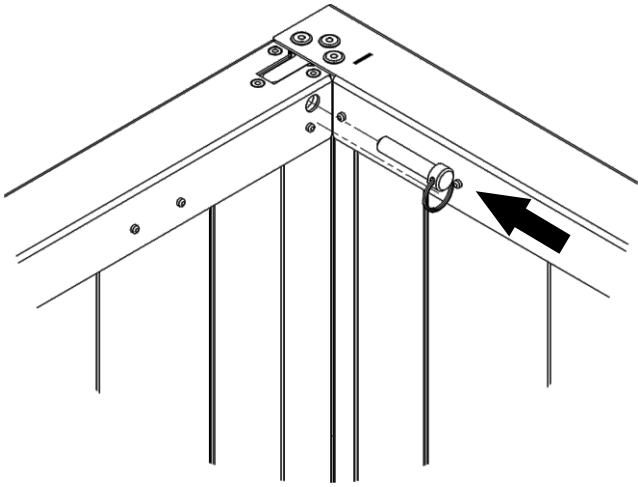




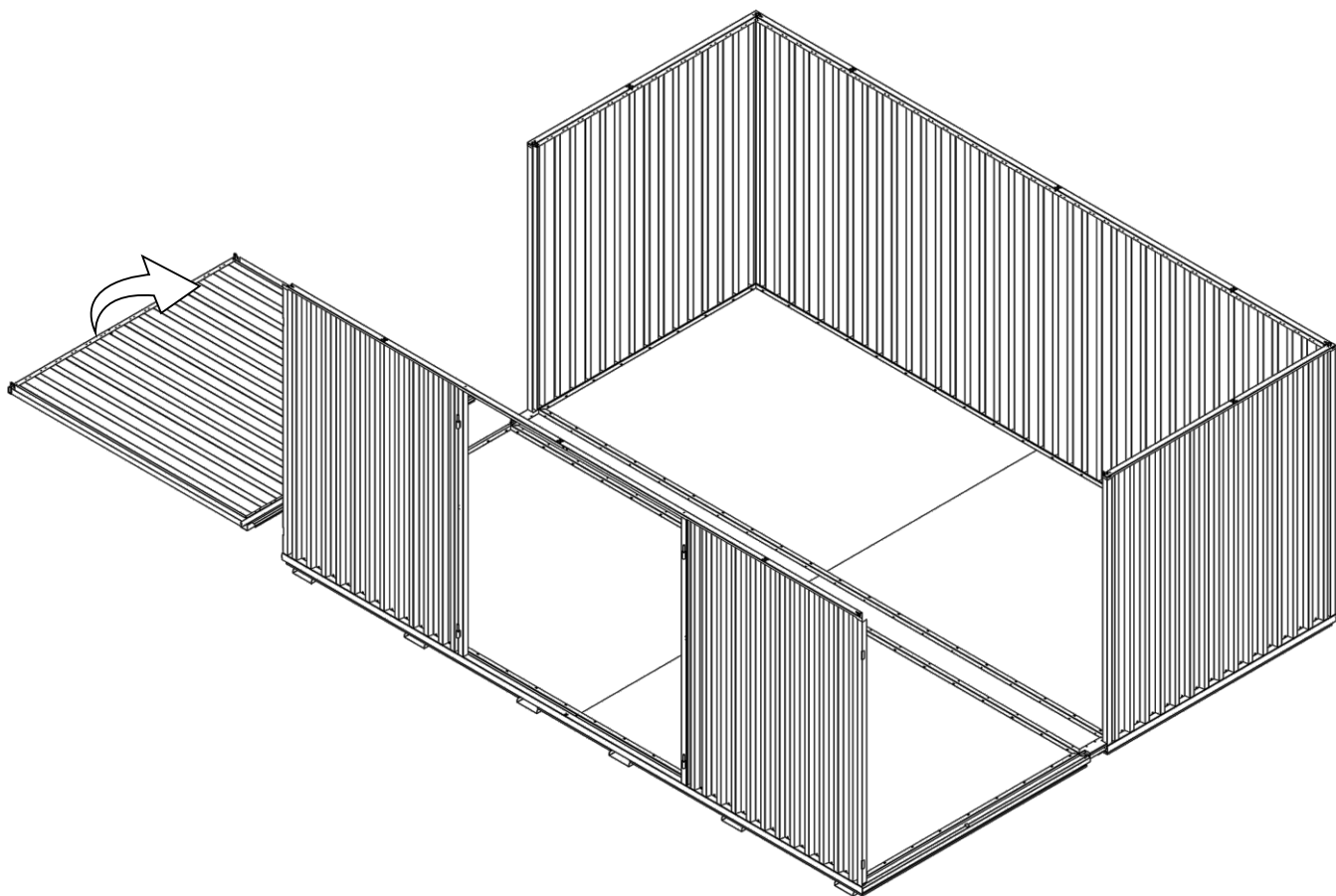
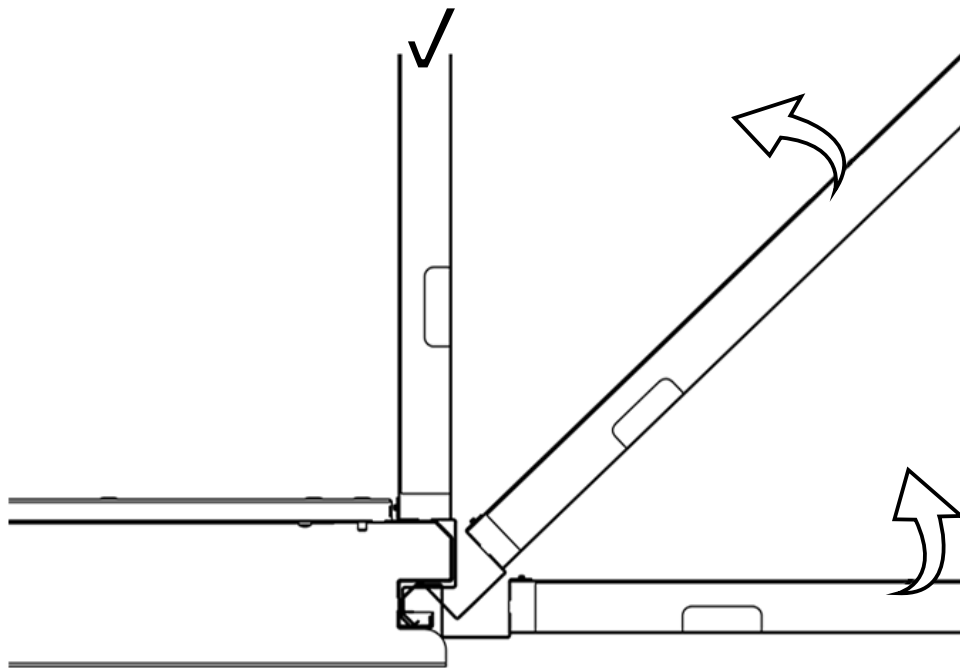
3.2.



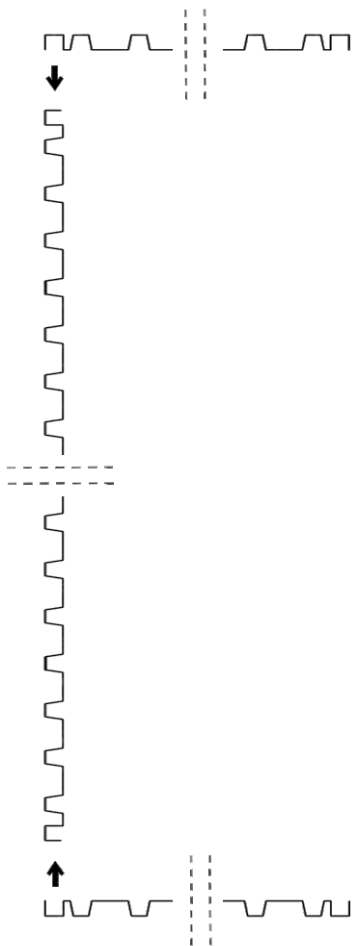
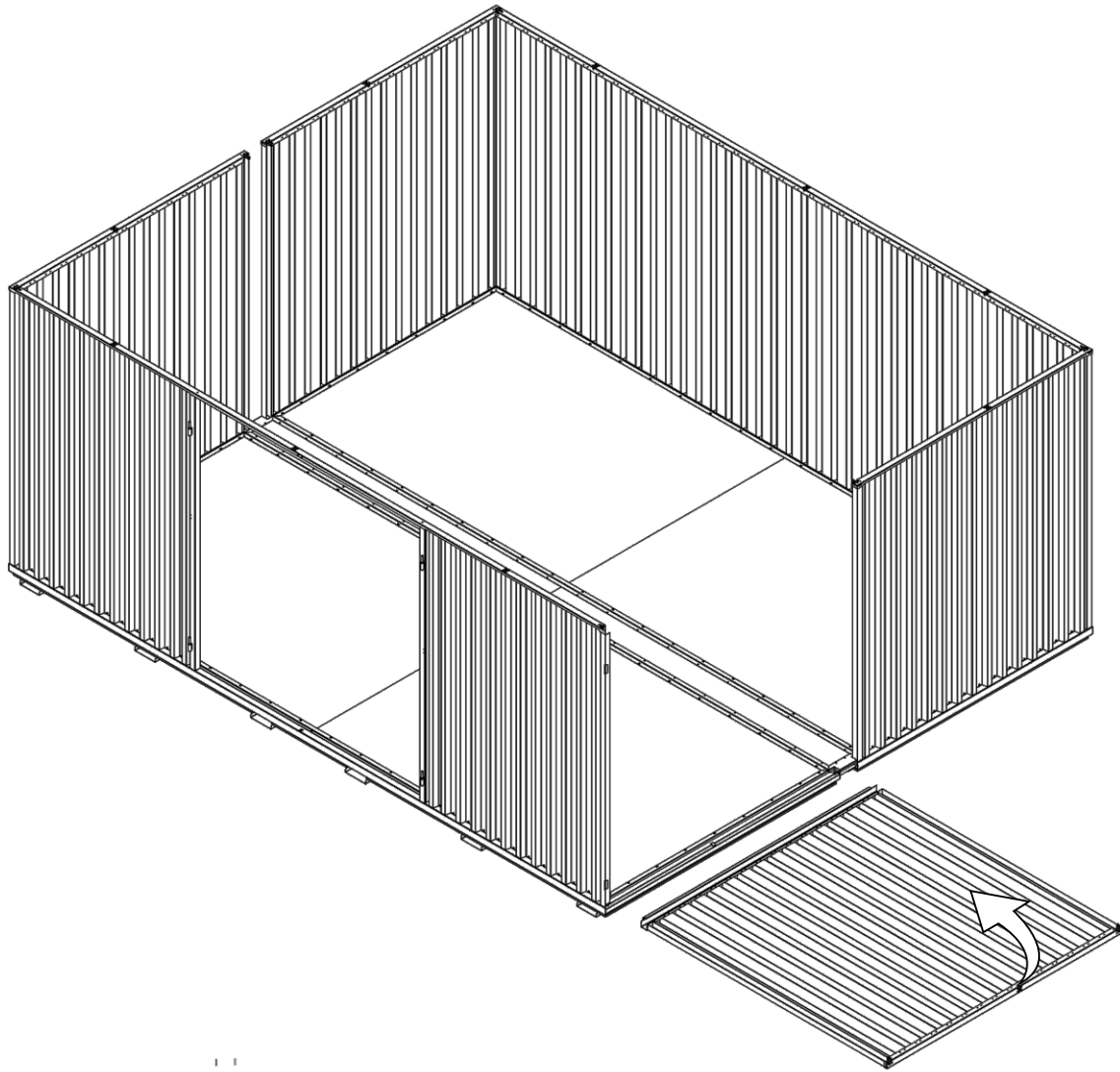
3.3.

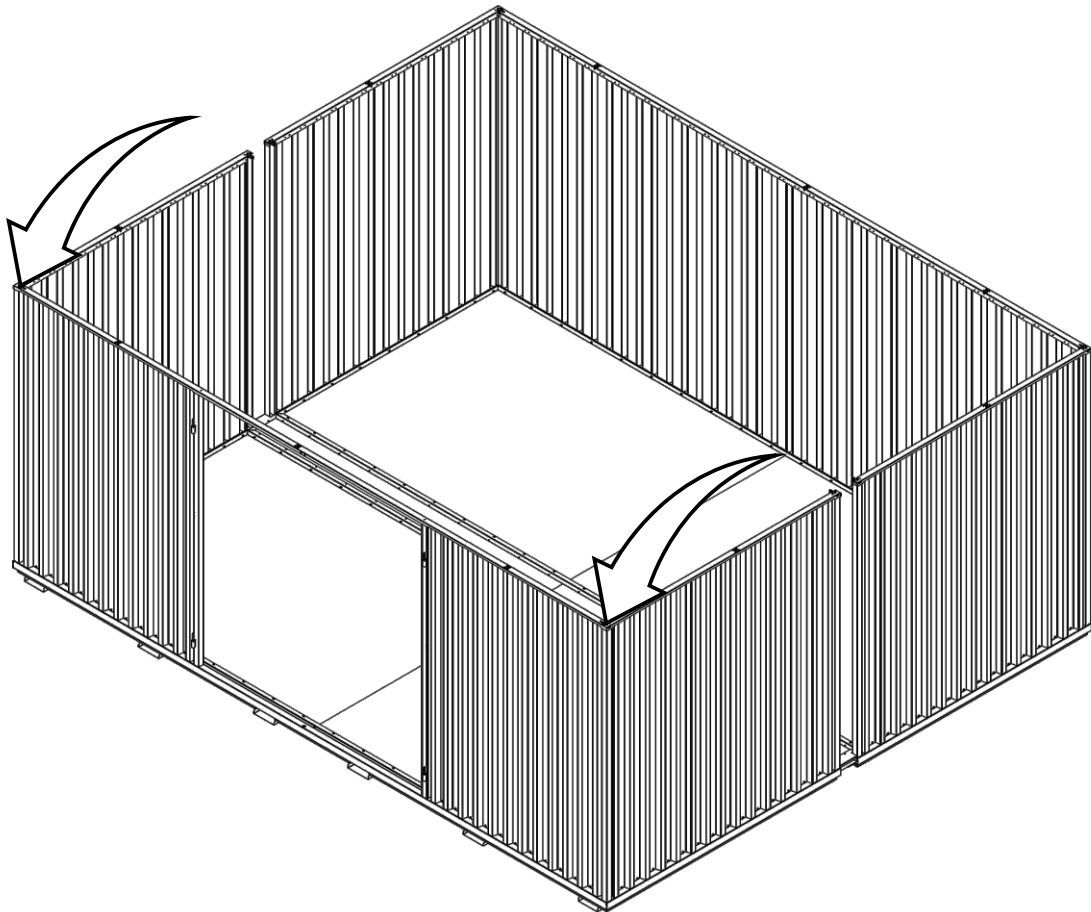
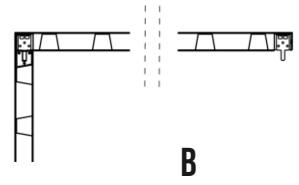
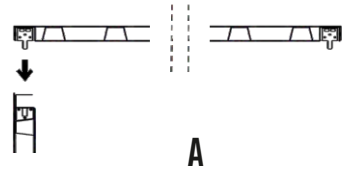
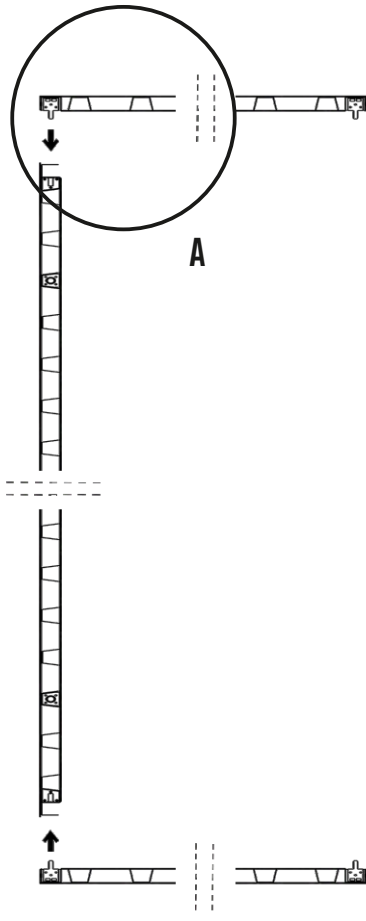
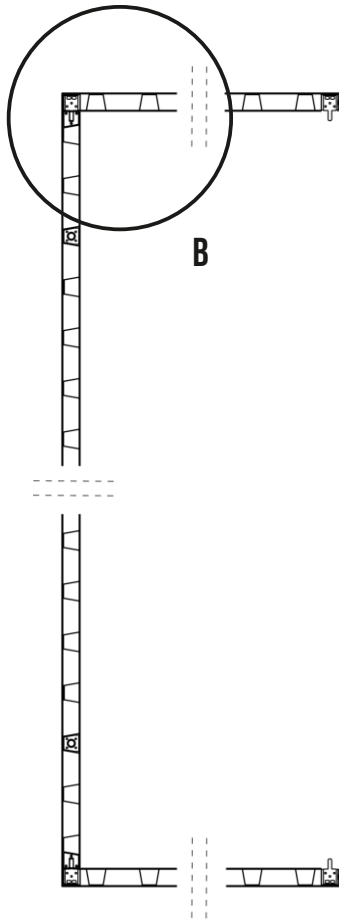


4.1.

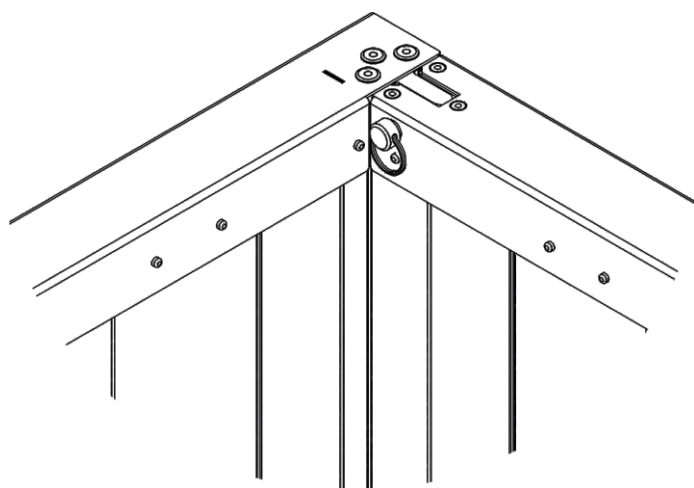
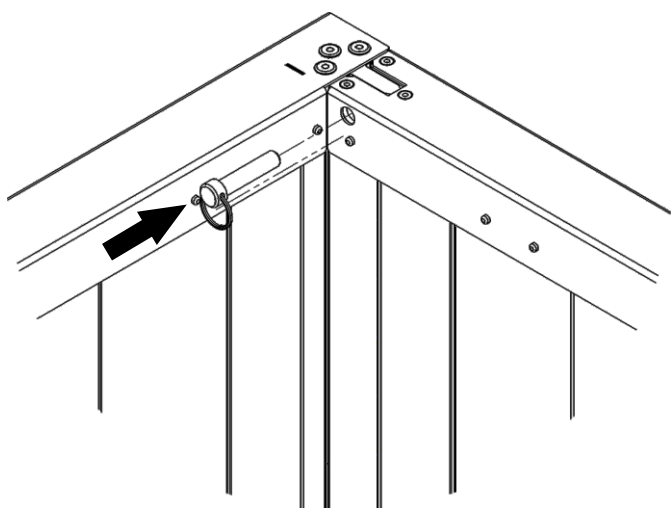
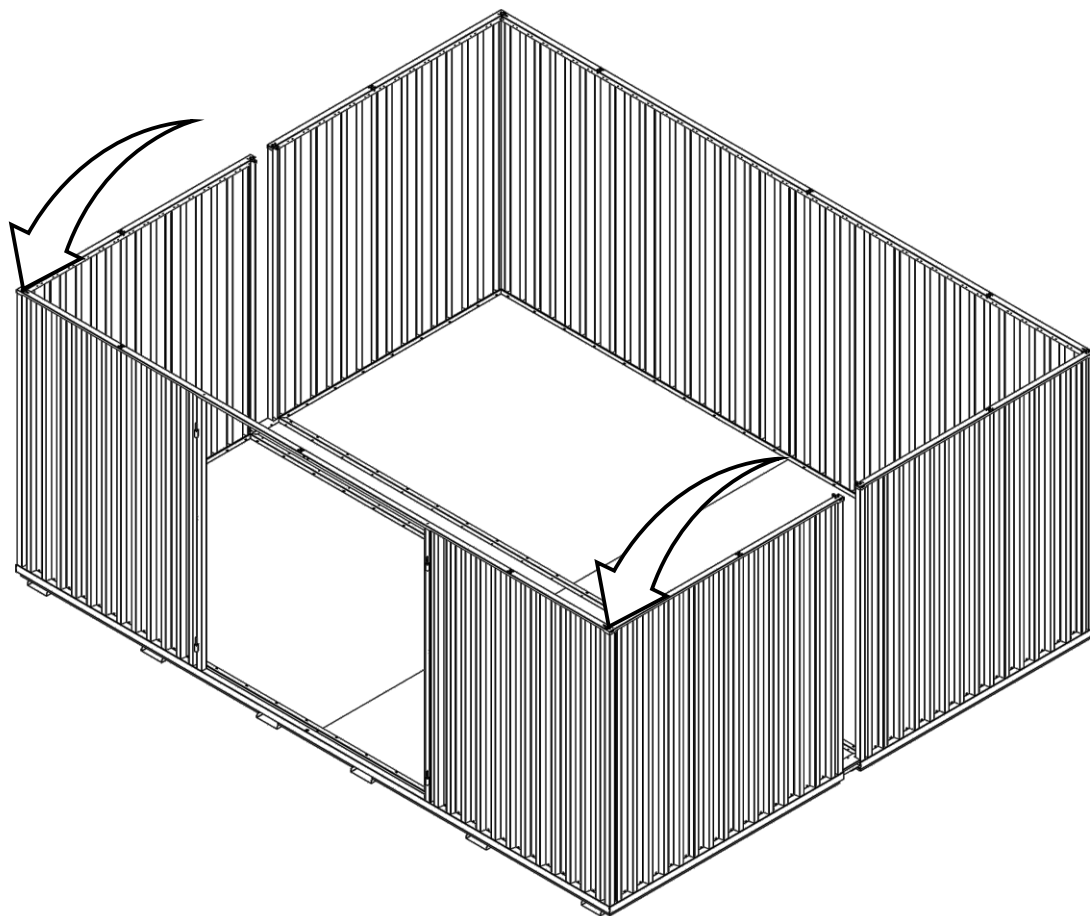


5.1.



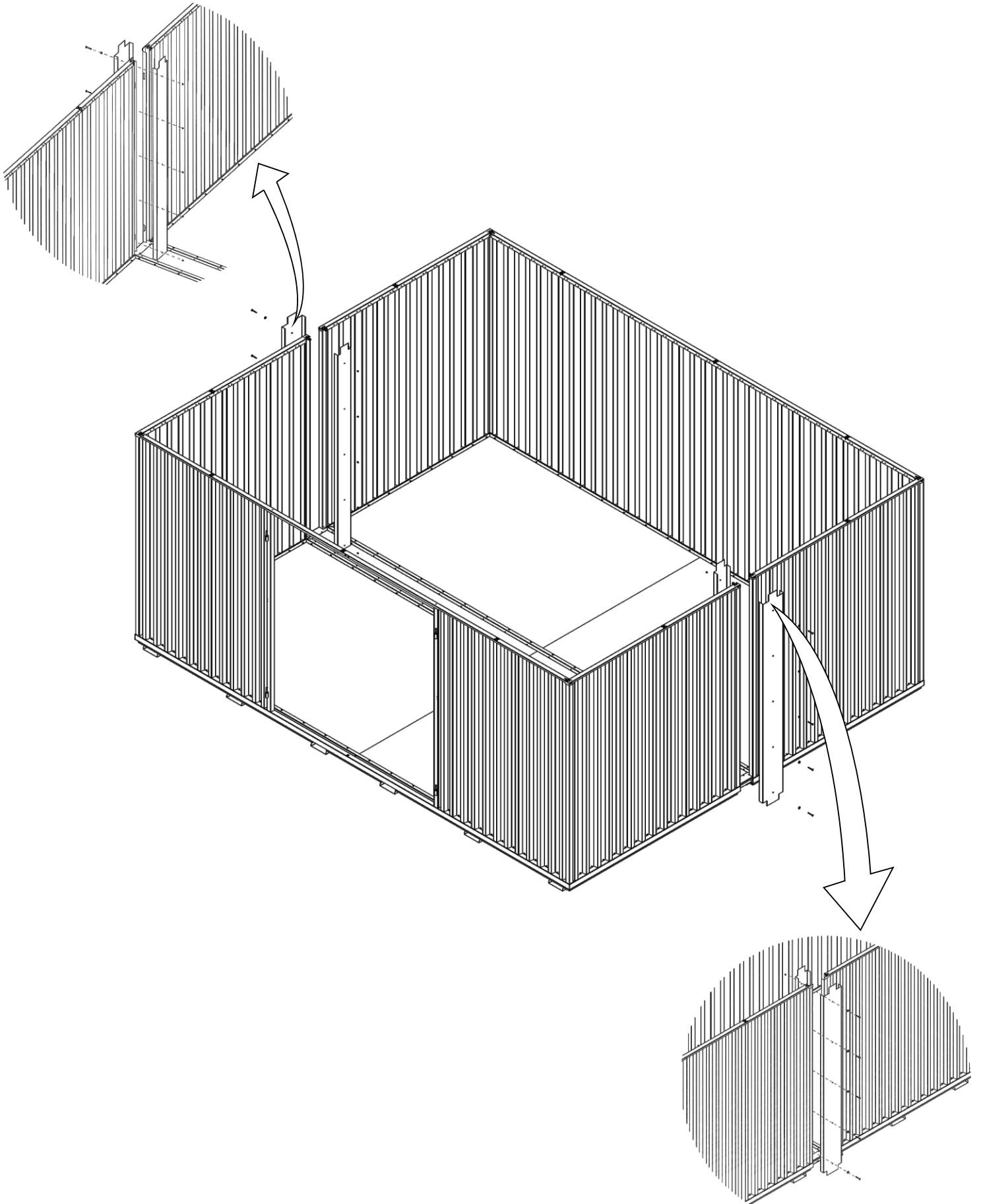


5.2.

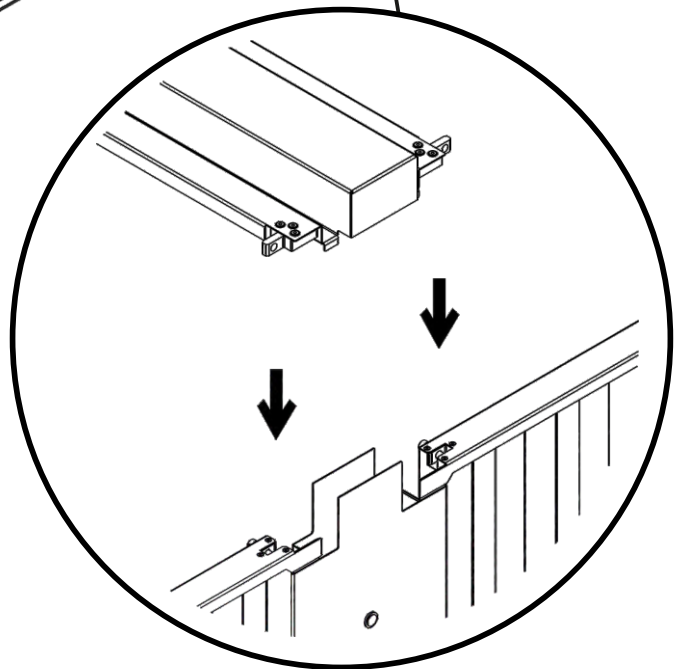
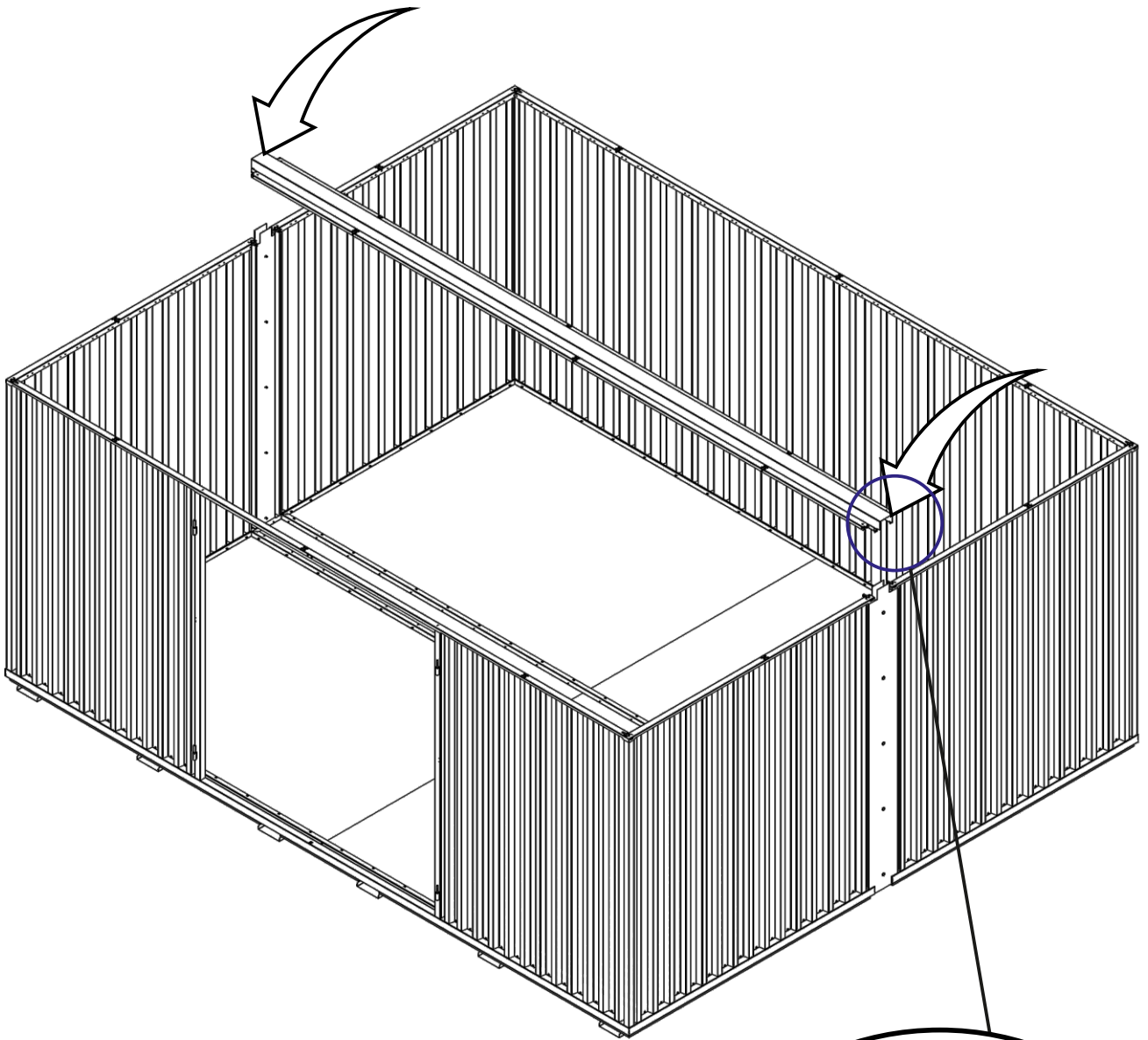




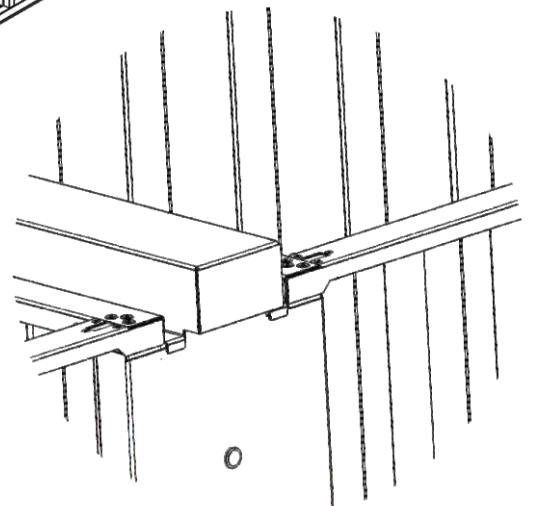
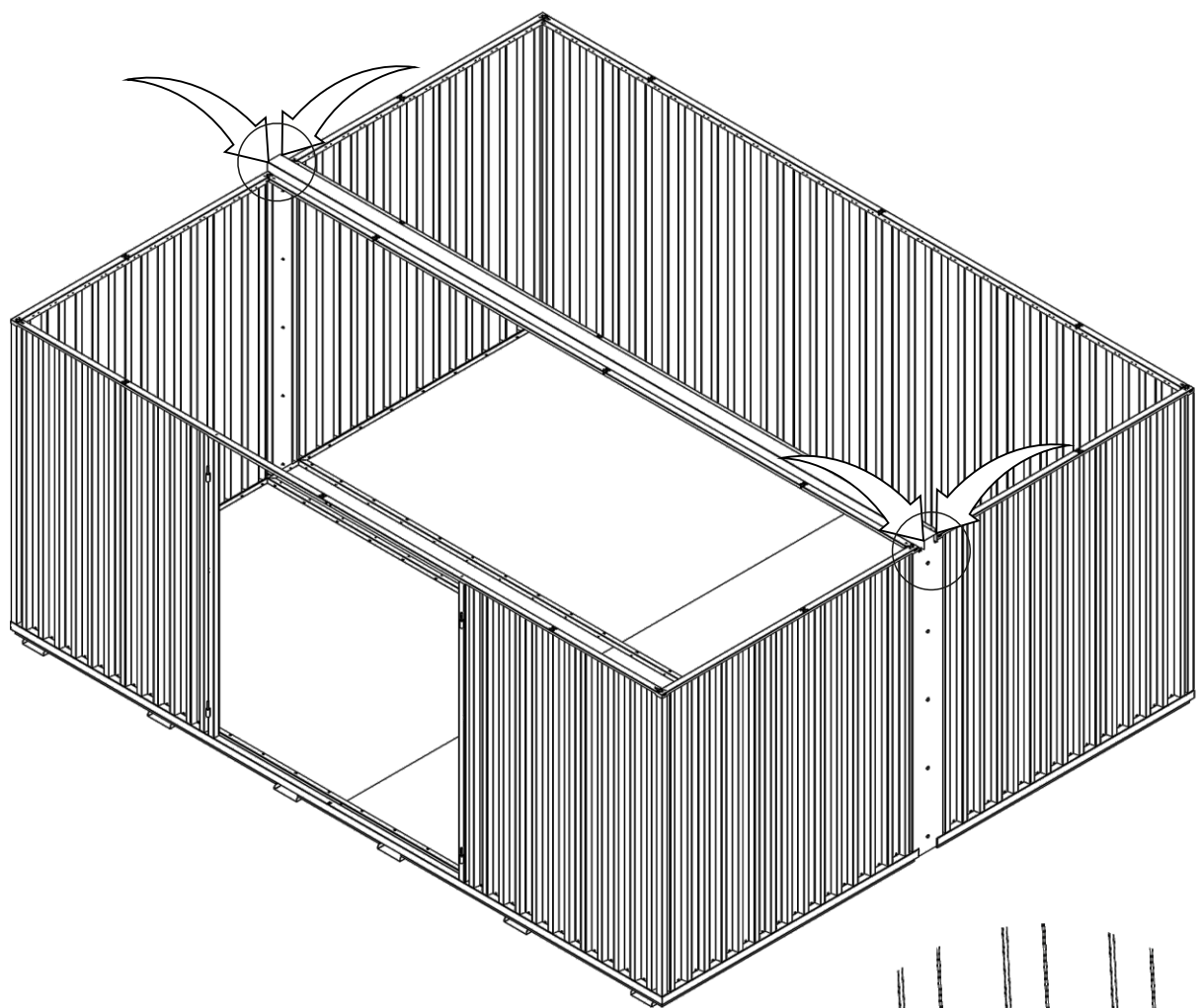
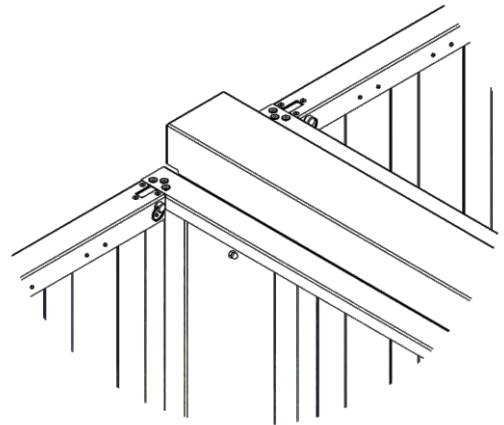
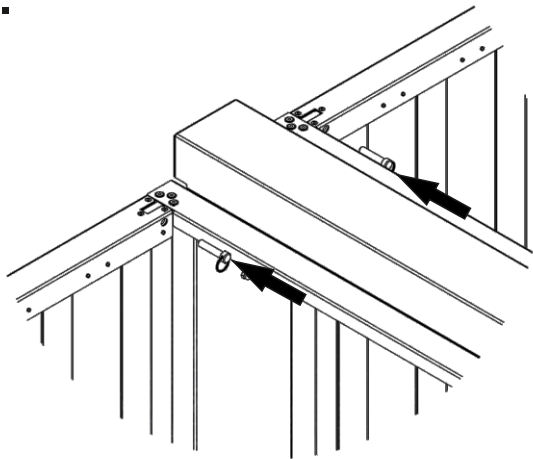
7.1.











8.1.

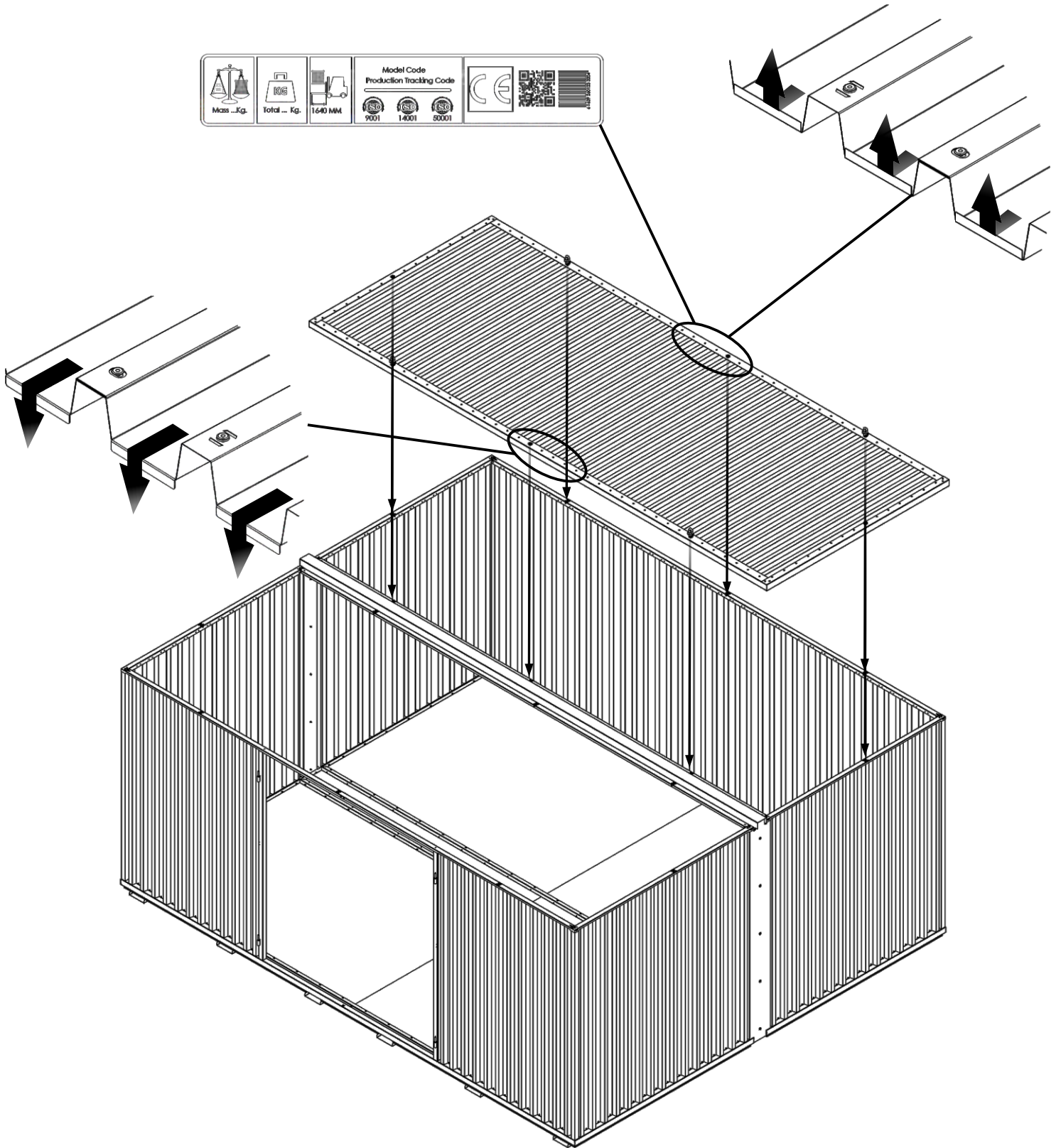


8.2.

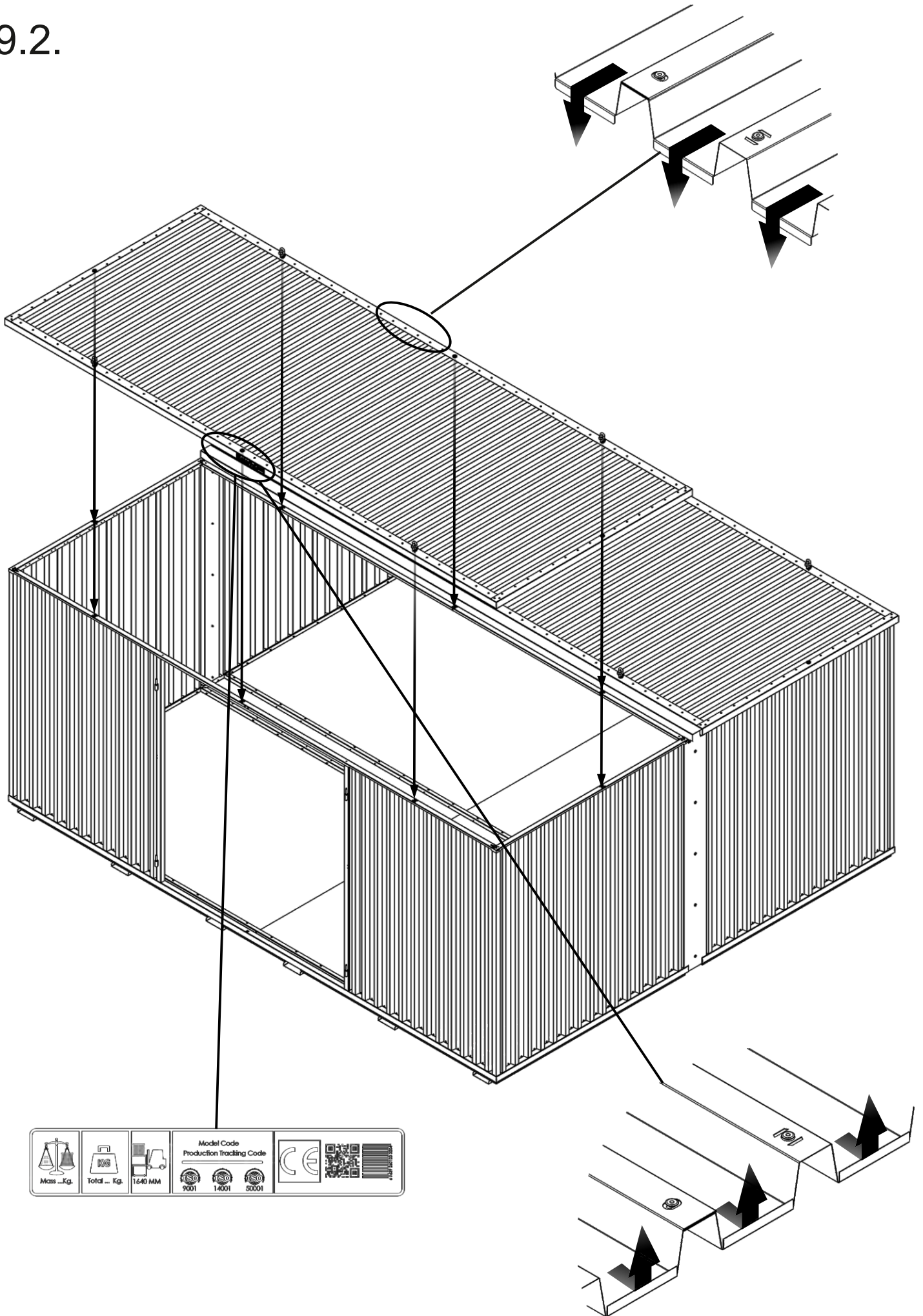


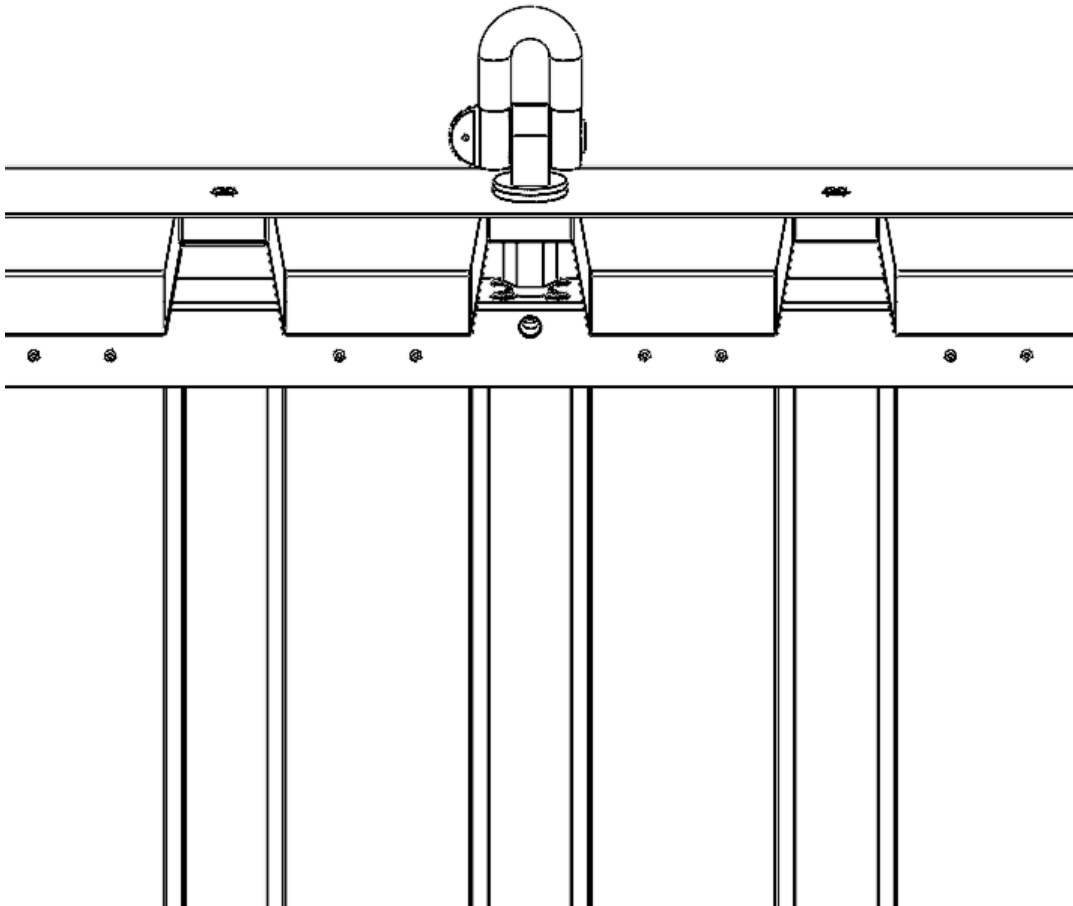
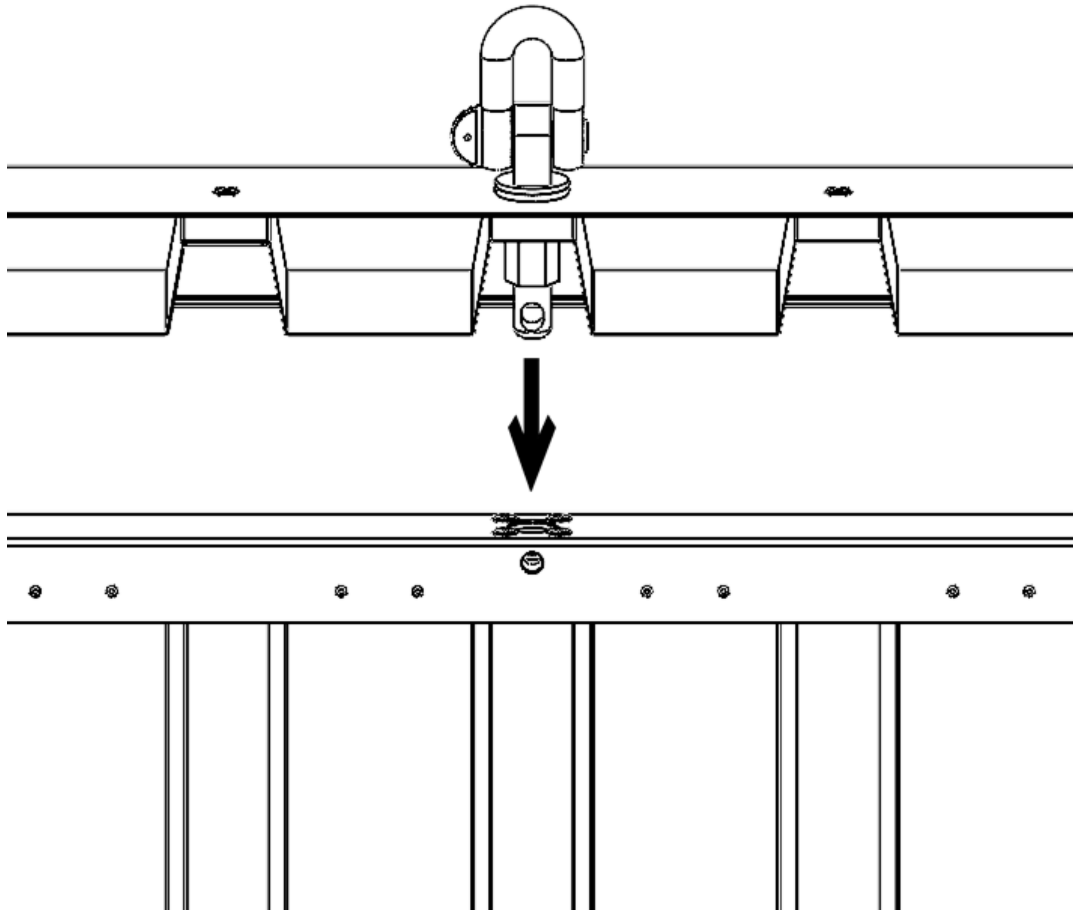
# 9.1.

 Mass ...Kg.	 Total ... Kg.	 1640 MM	Model Code Production Tracking Code   		
--	--	--	---	---	---



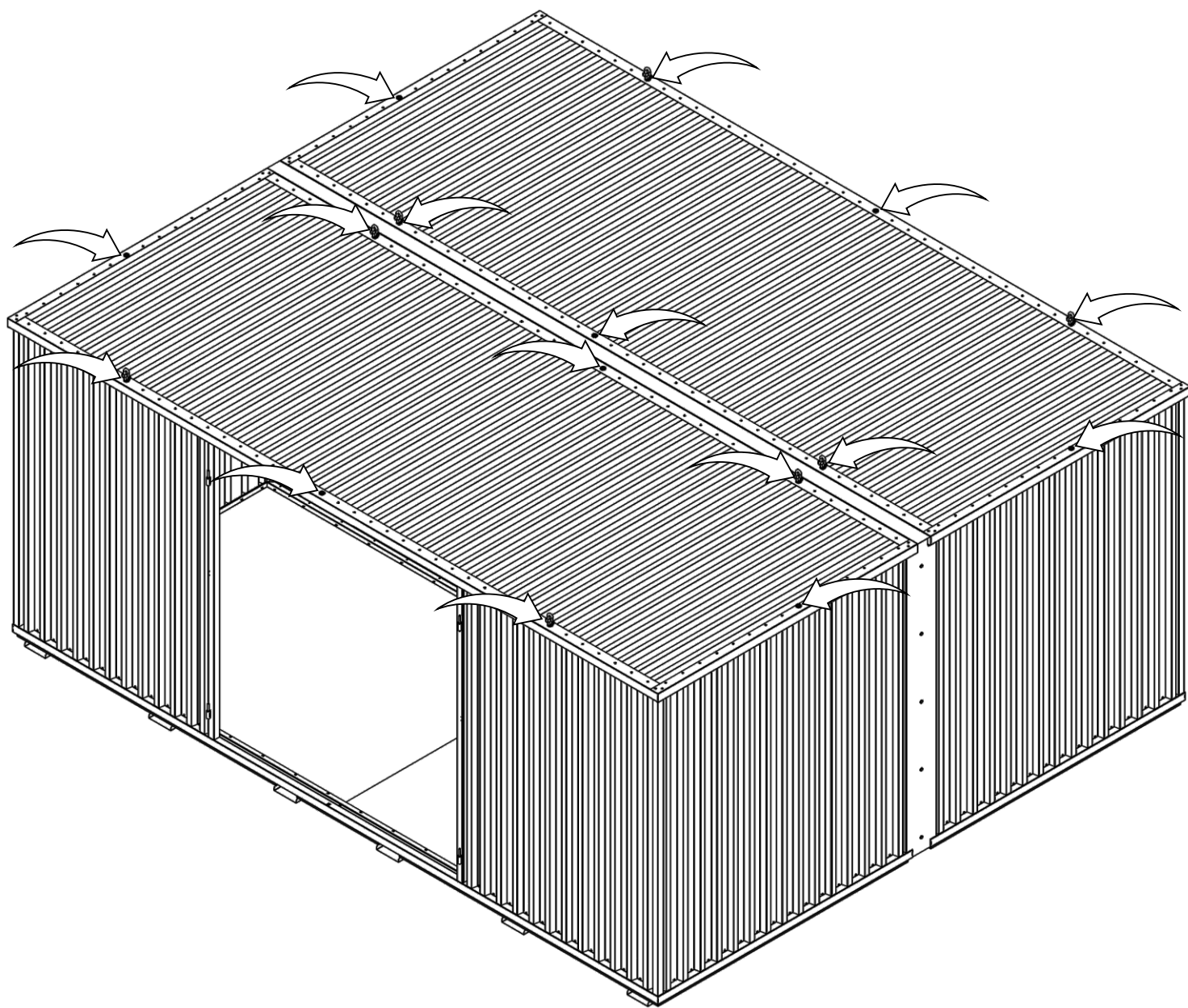
# 9.2.

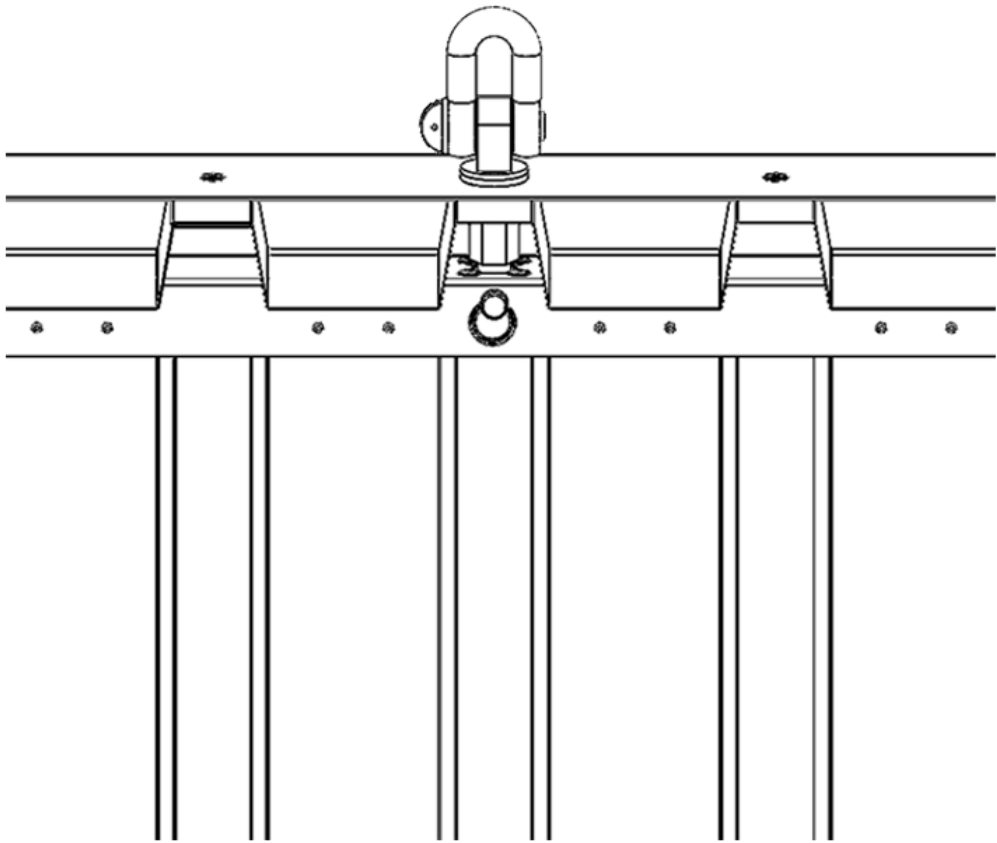
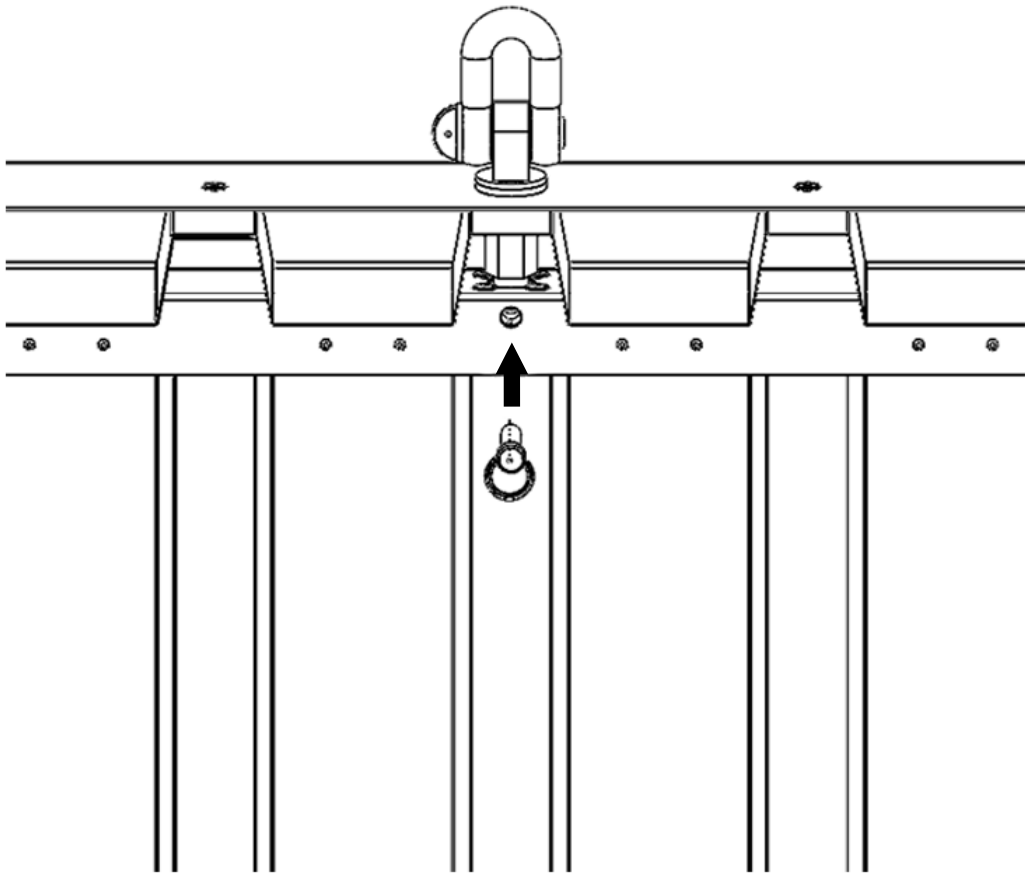






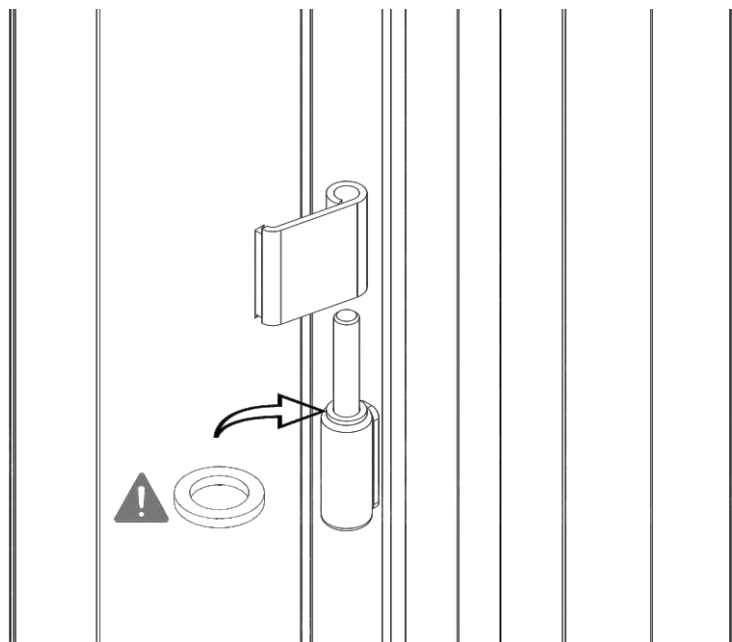
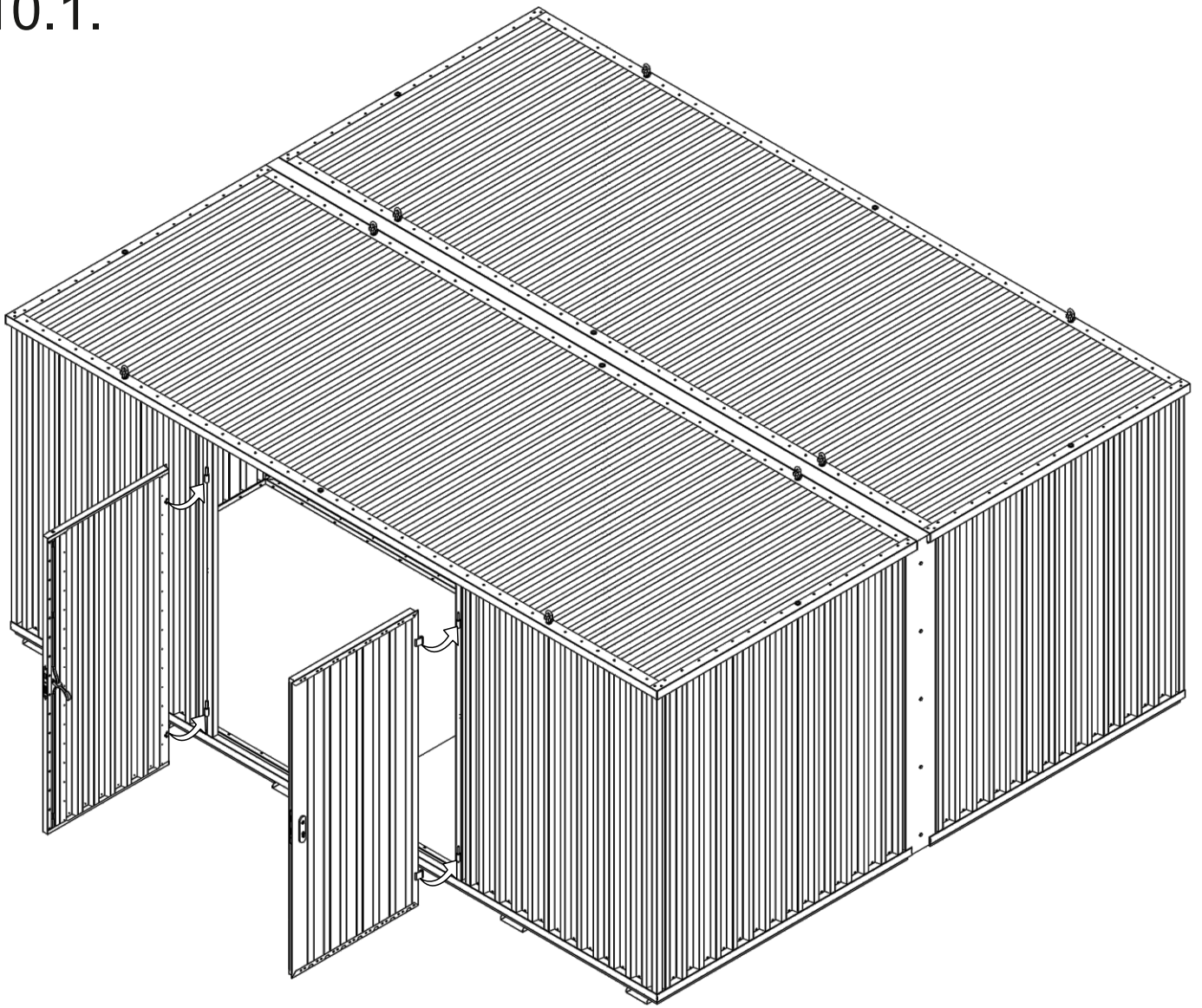
9.4.



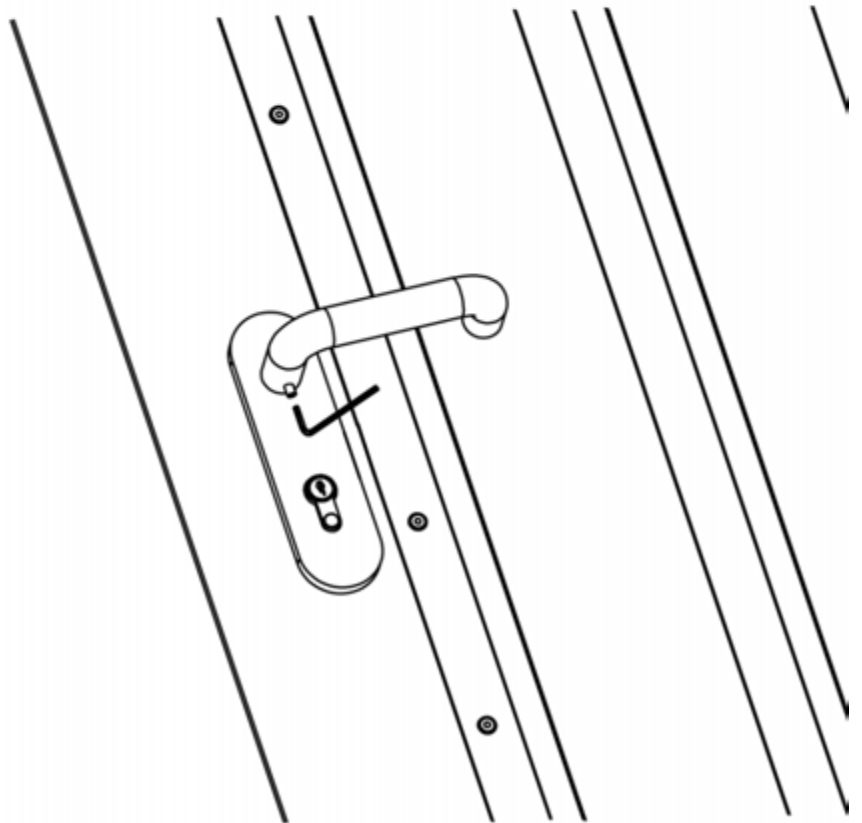
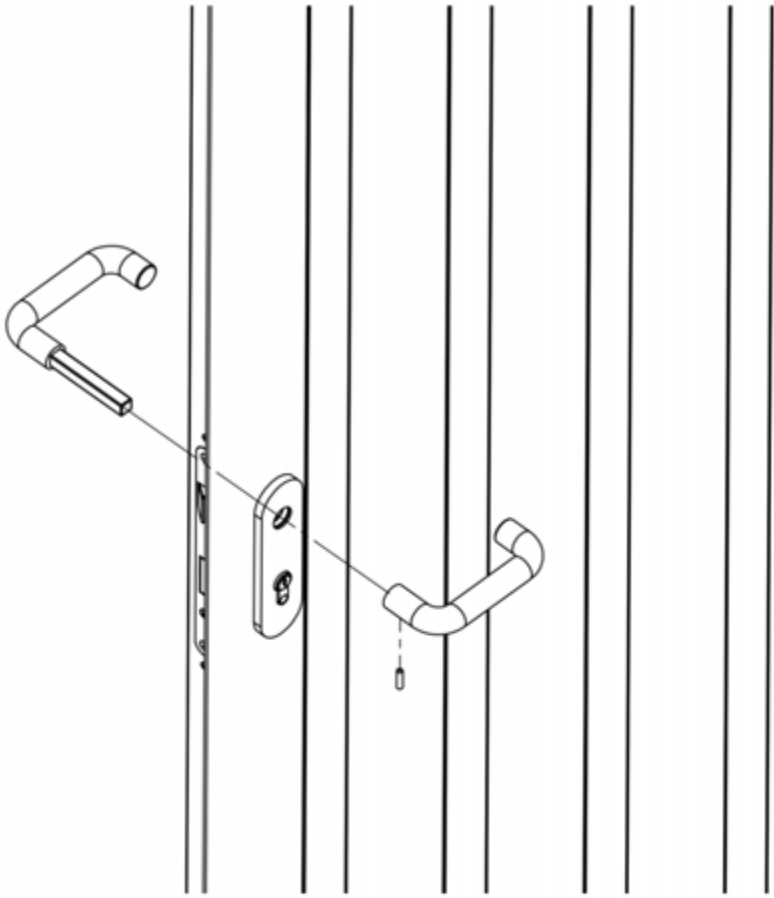




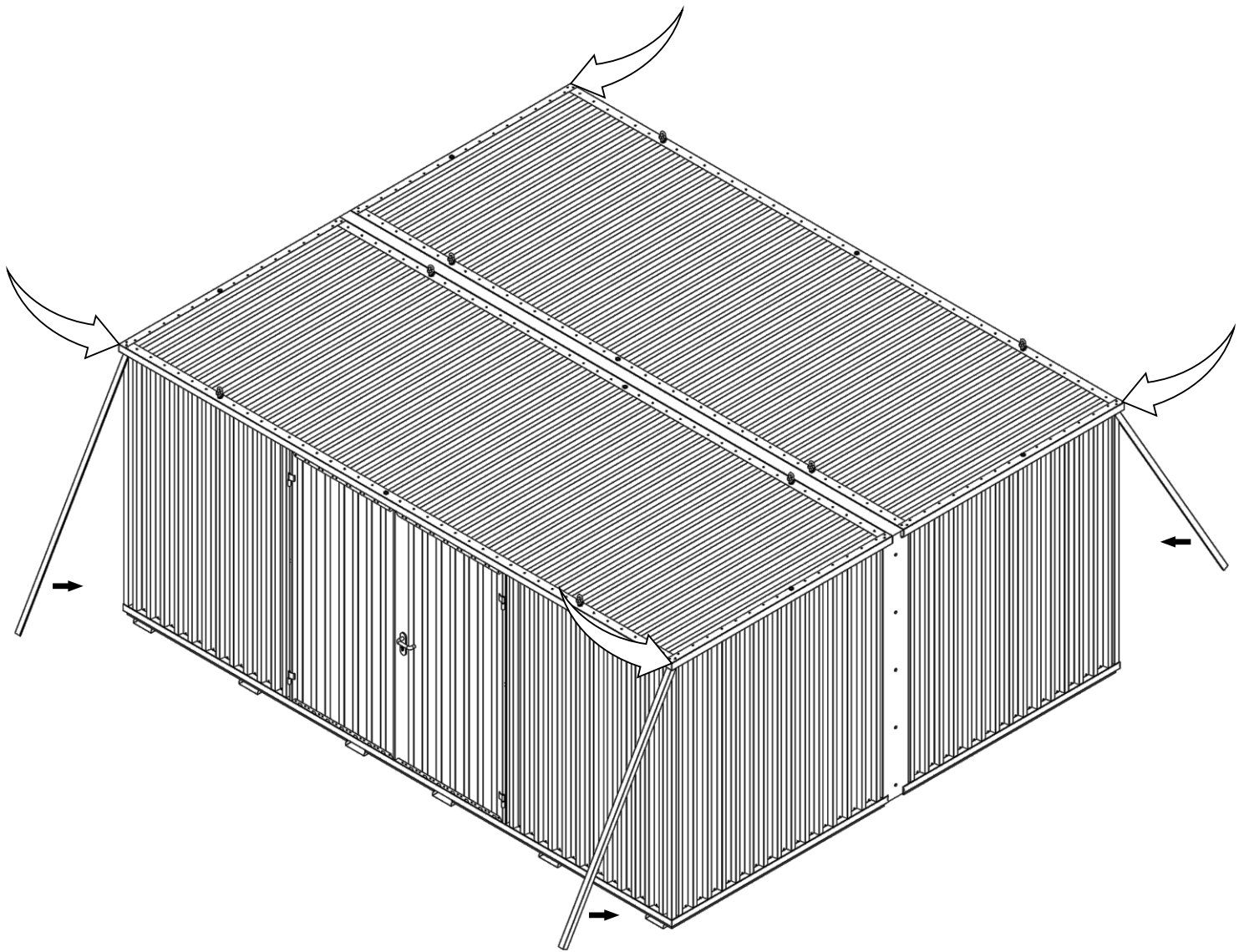
10.1.



10.2.



11.1.



12.1.

