





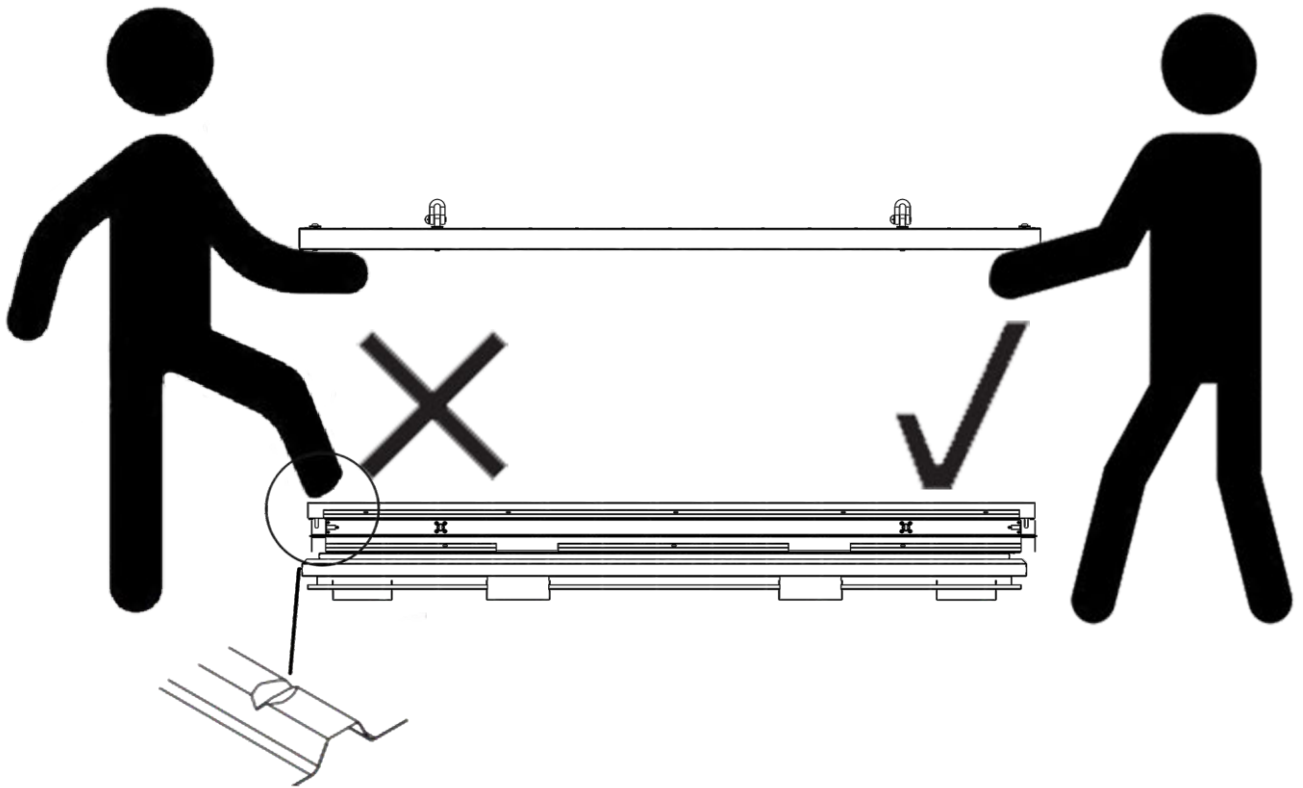
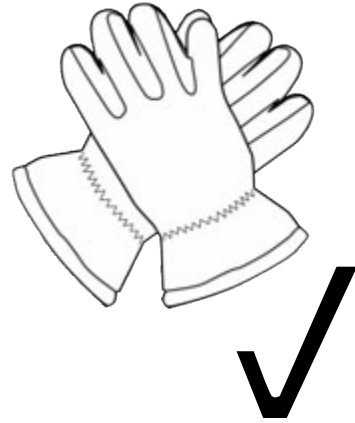


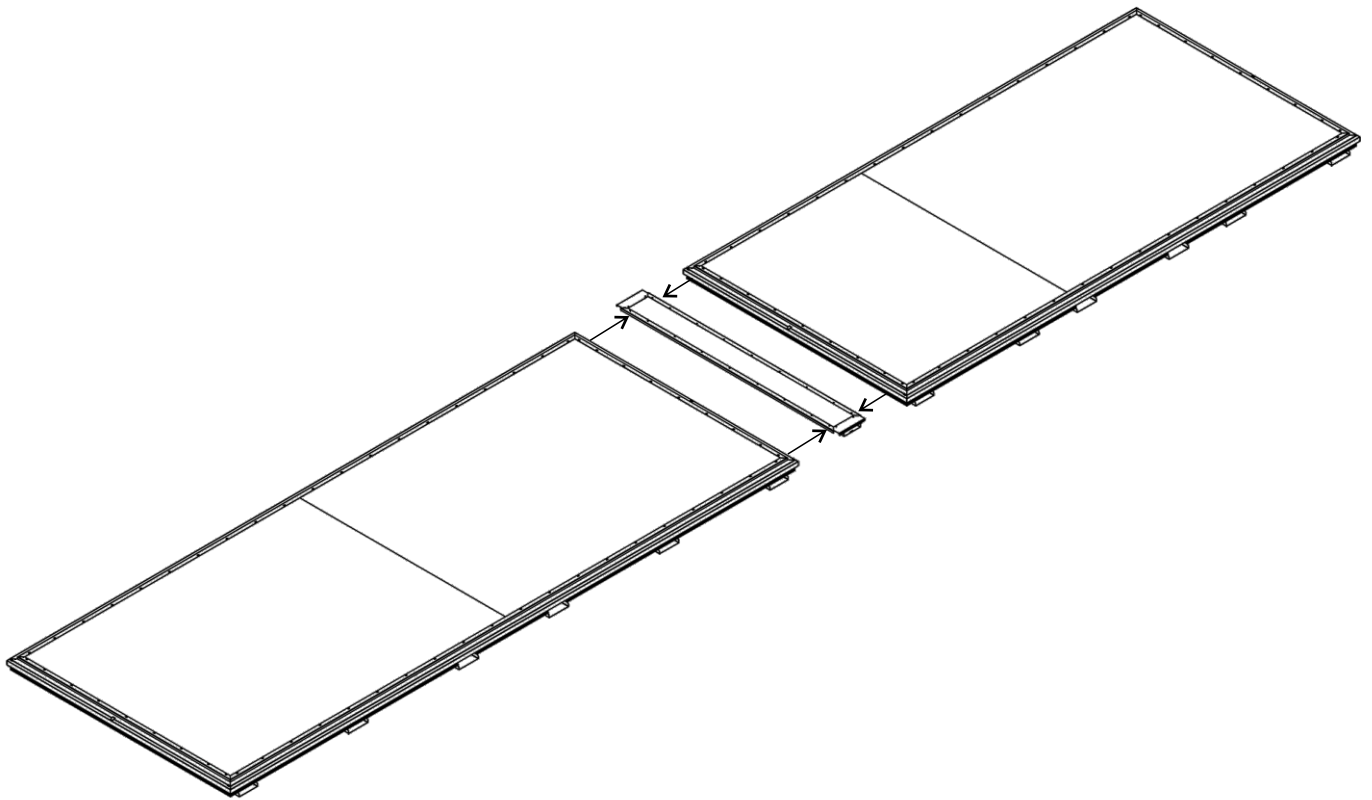
# PRODUCT CODE : 5040.110.450



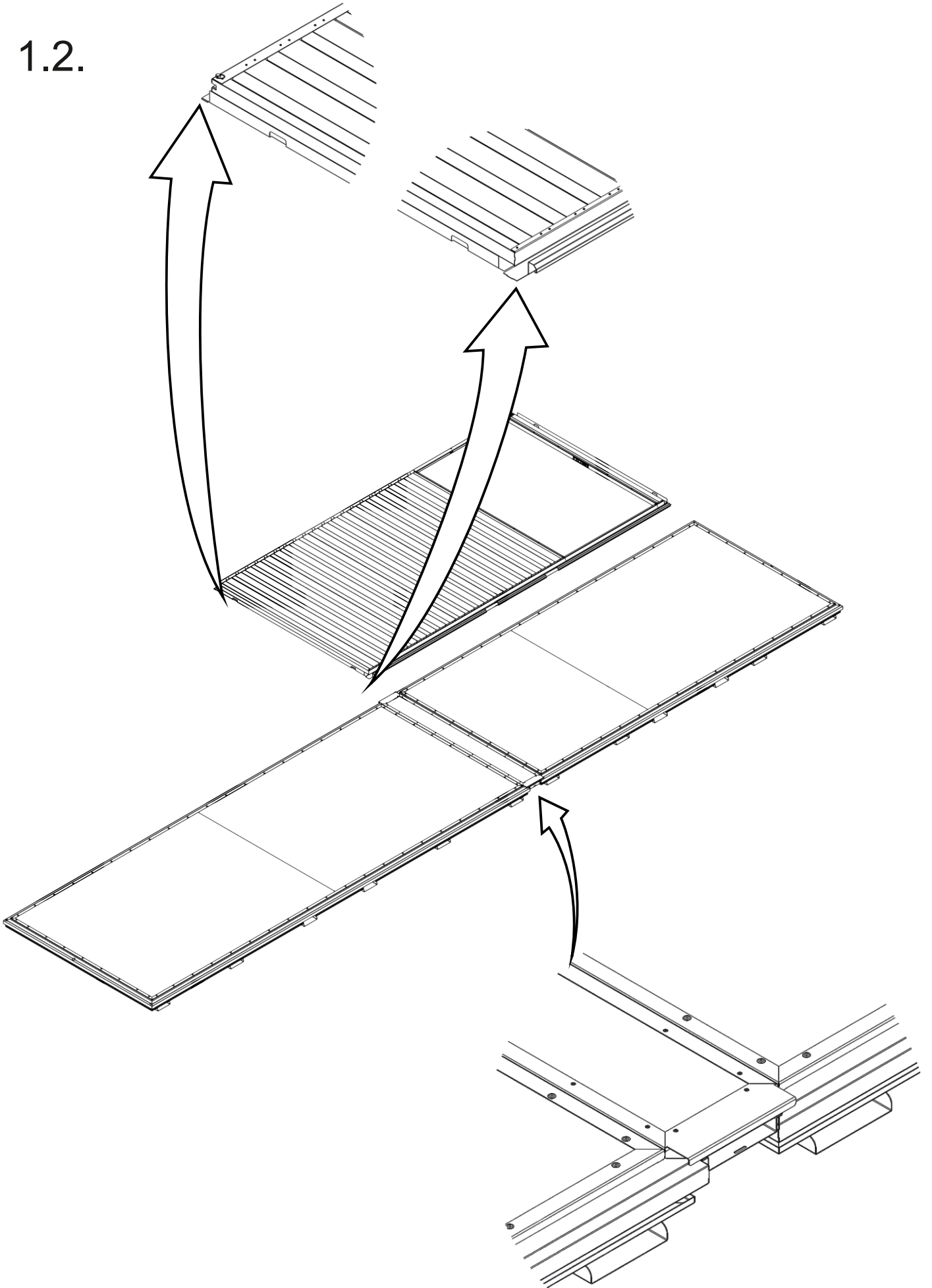
	24 pcs.
	1 pcs.
	1 pcs.
	10 pcs.
	10 pcs.
	10 pcs.



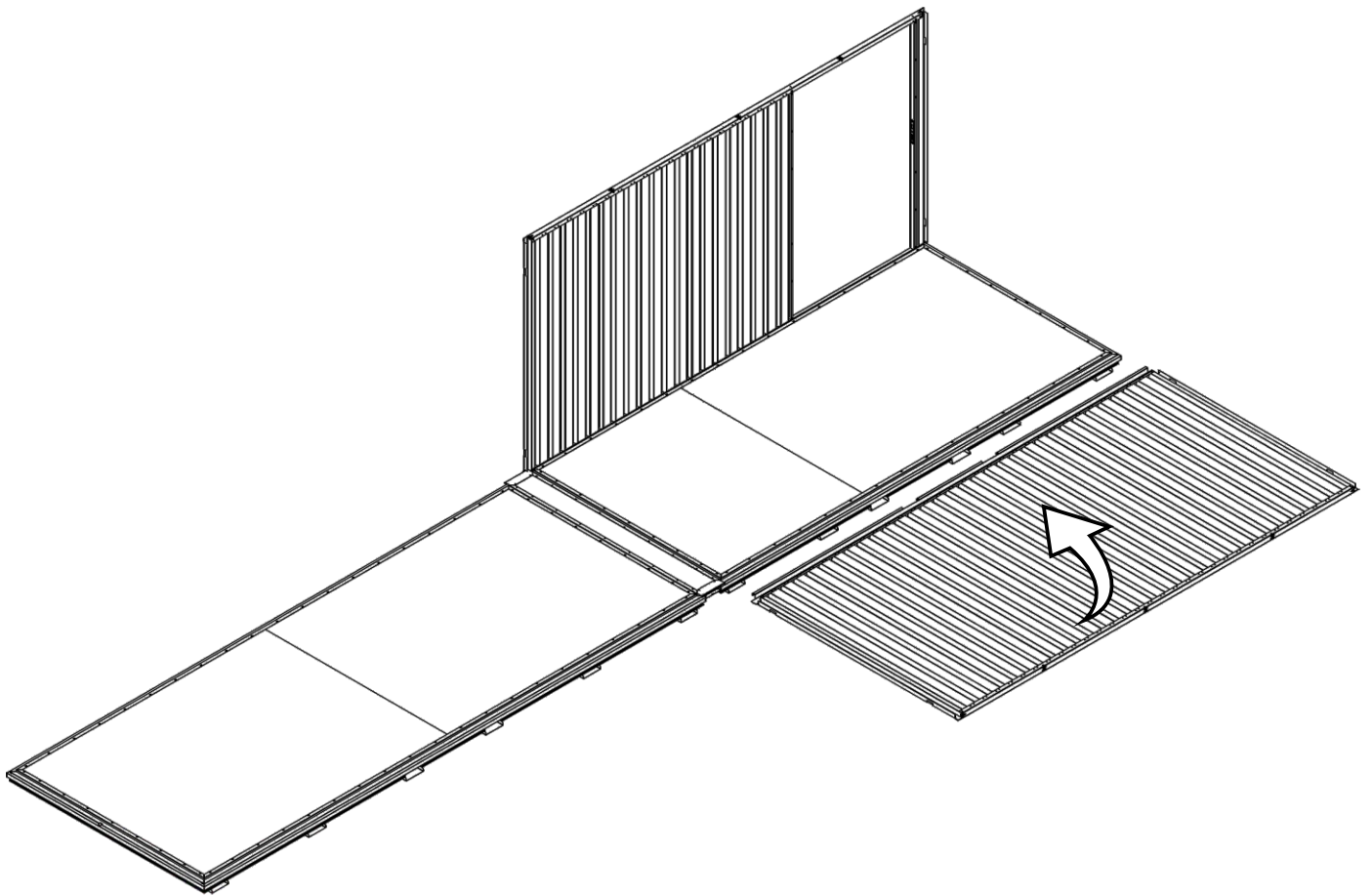
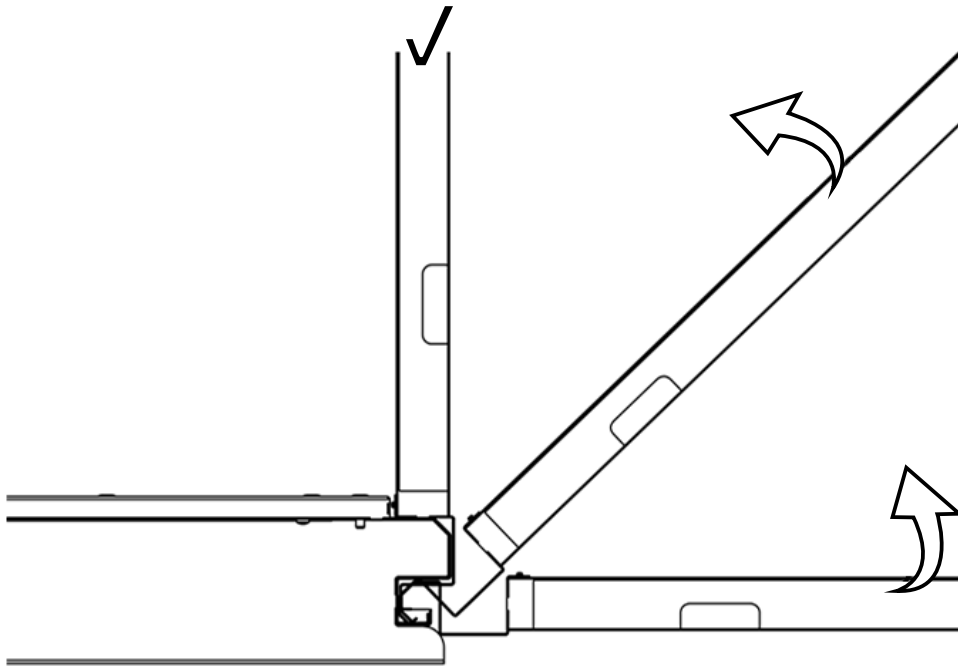
1.1.



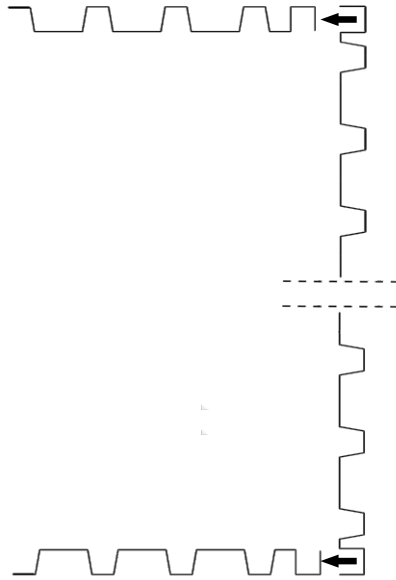
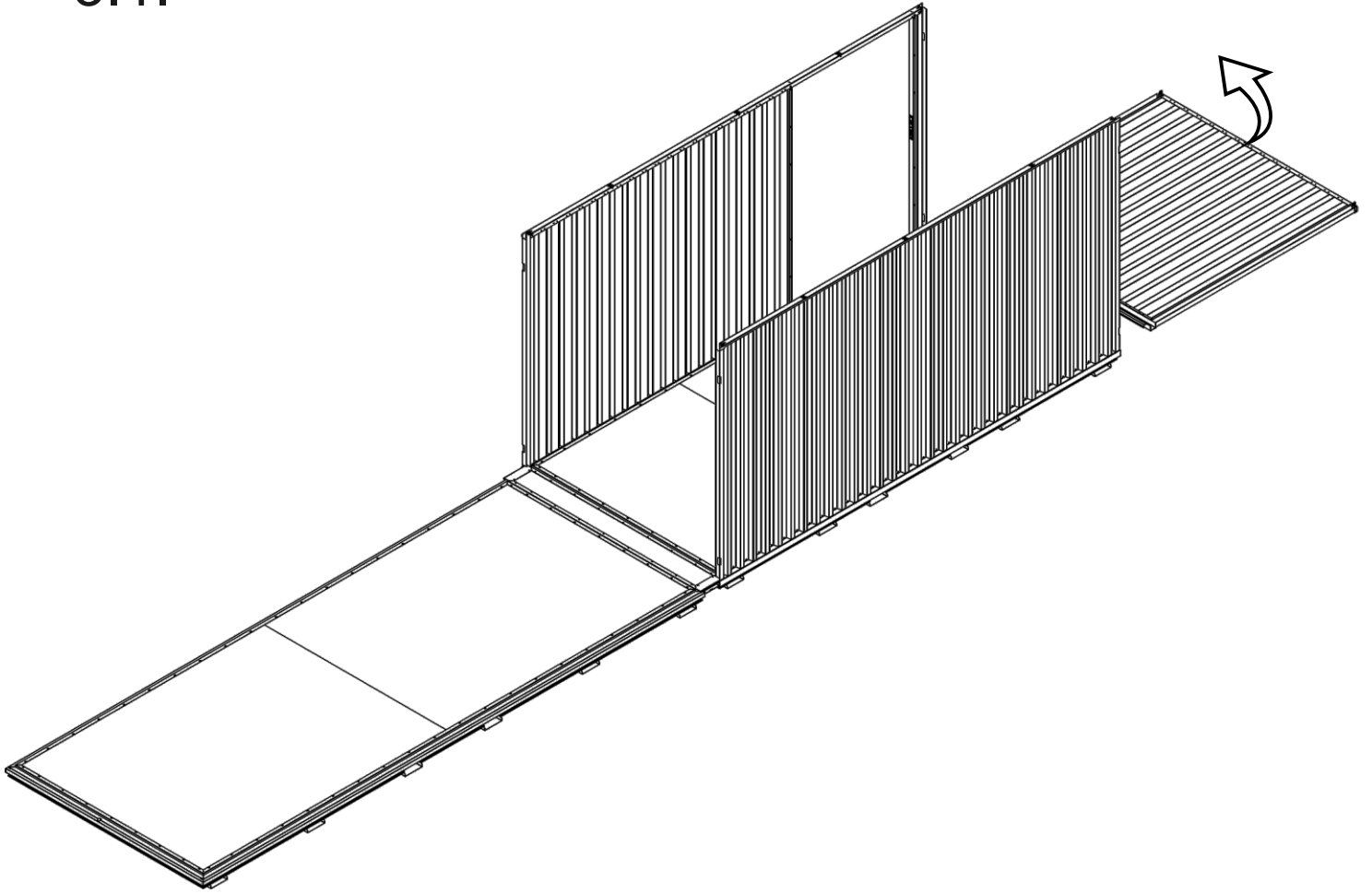
1.2.



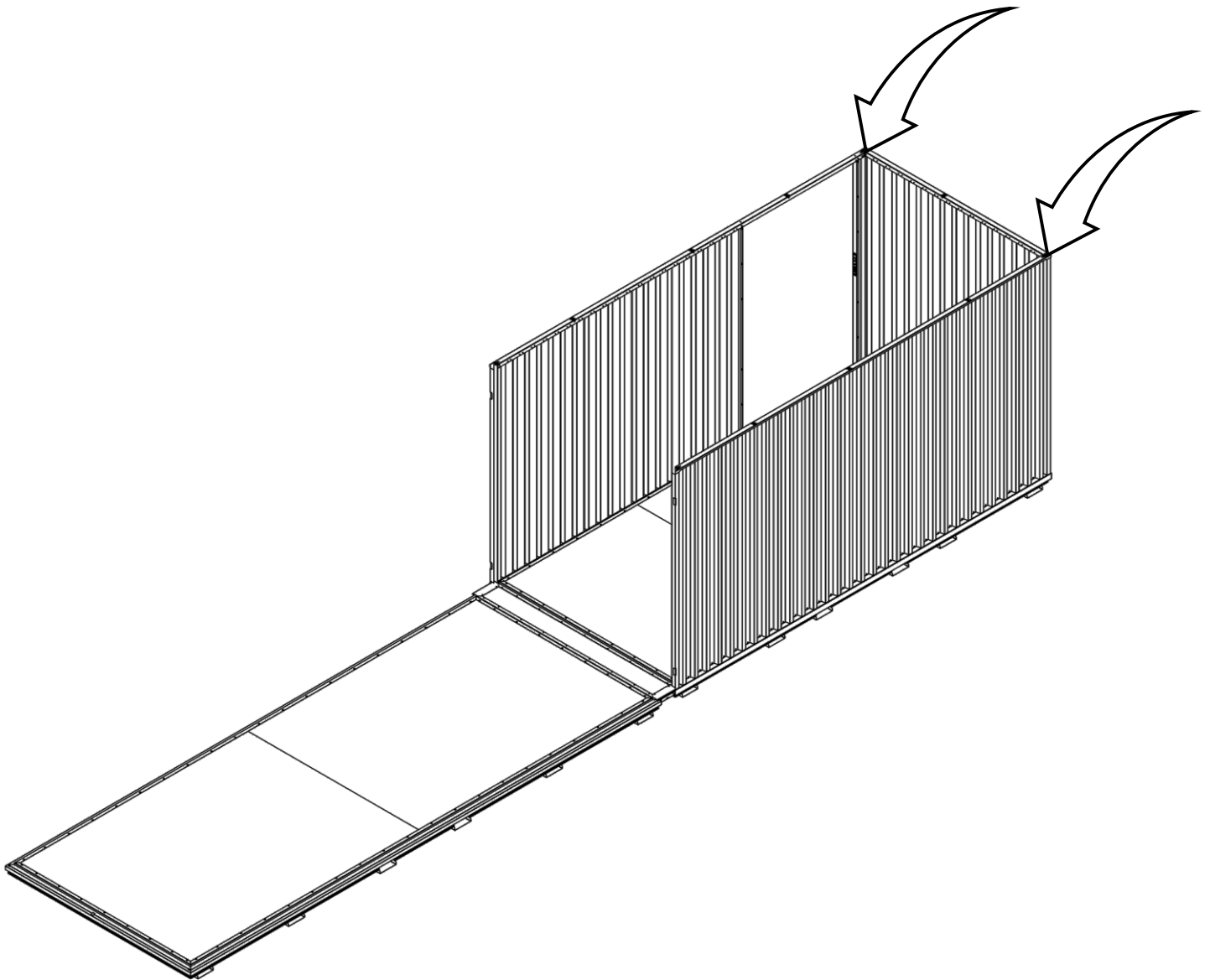
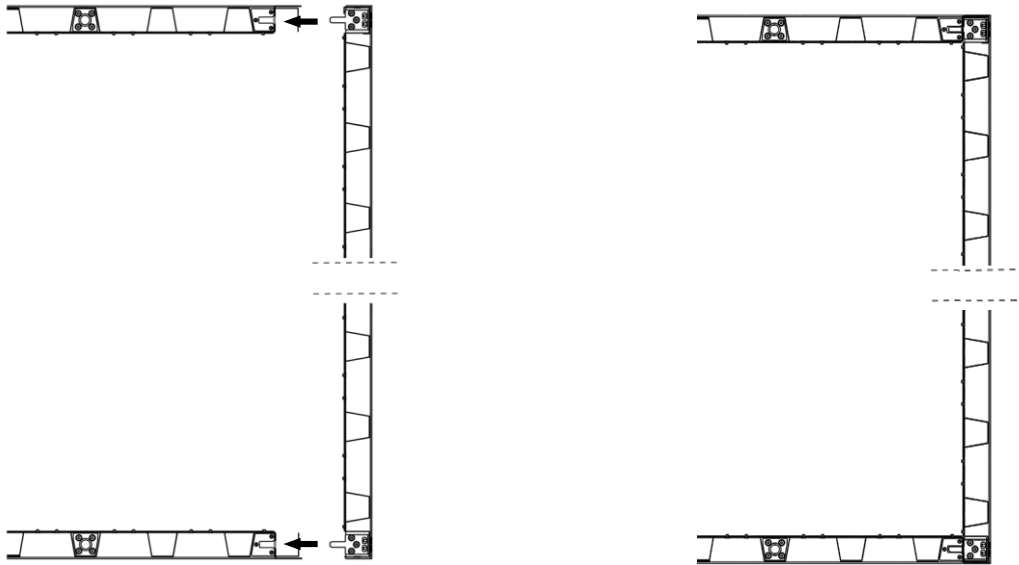
2.1.



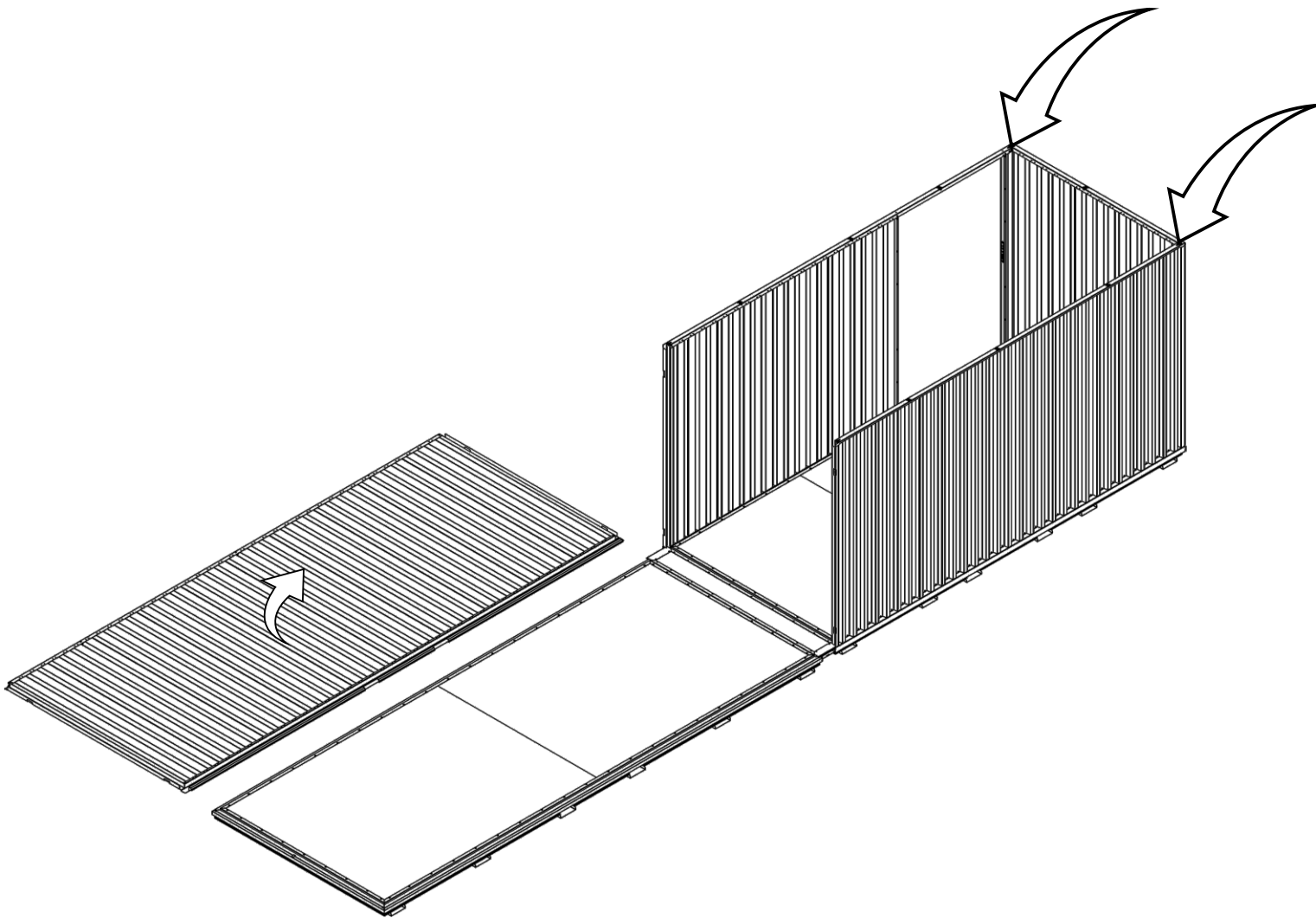
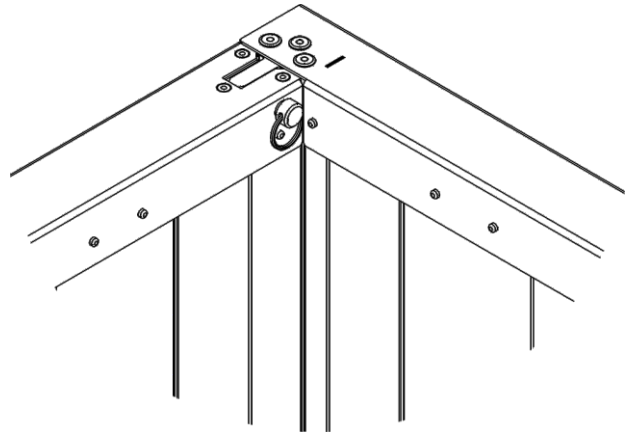
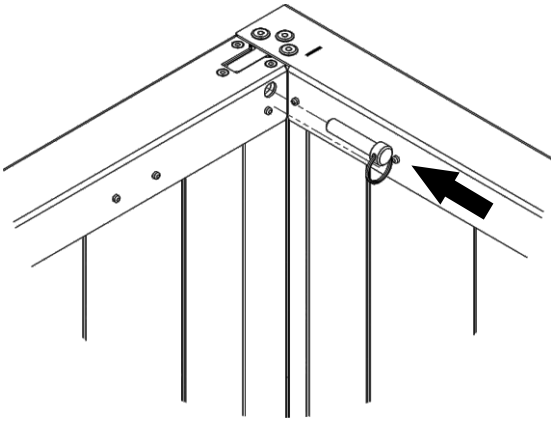
3.1.



3.2.

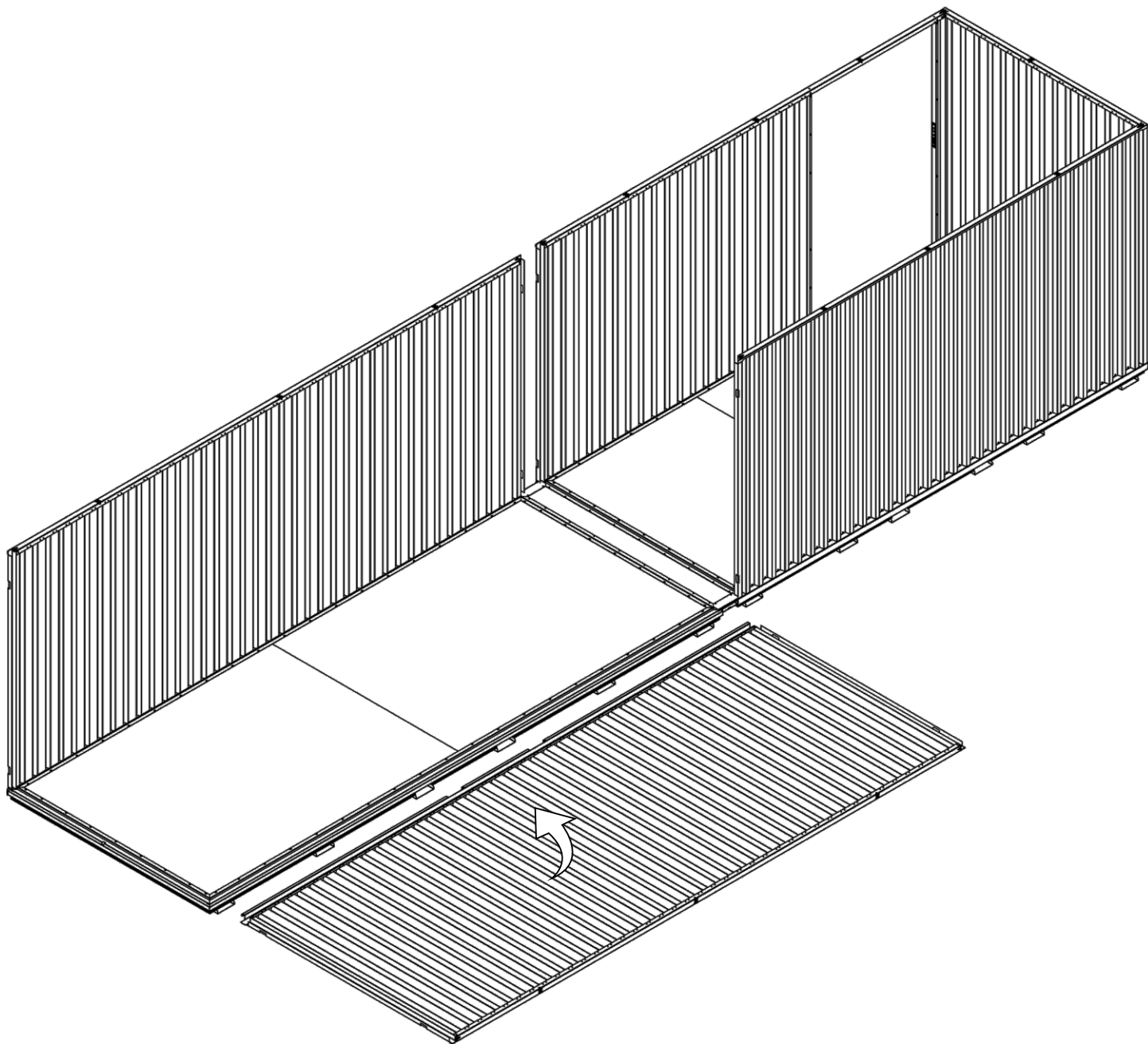


3.3.

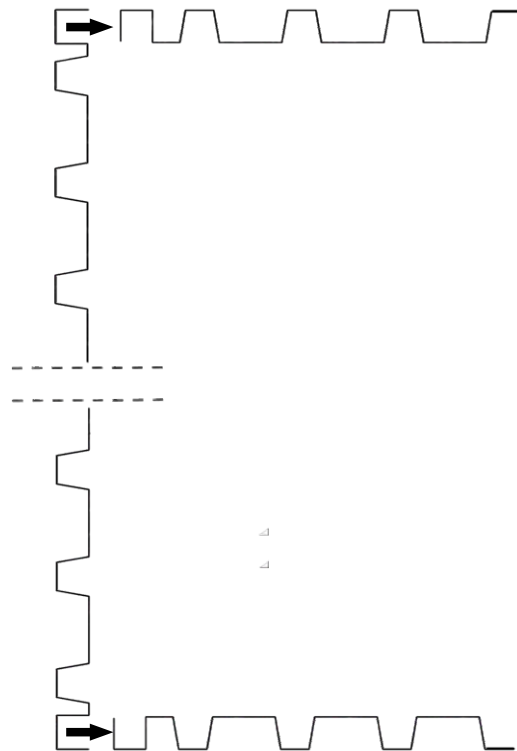
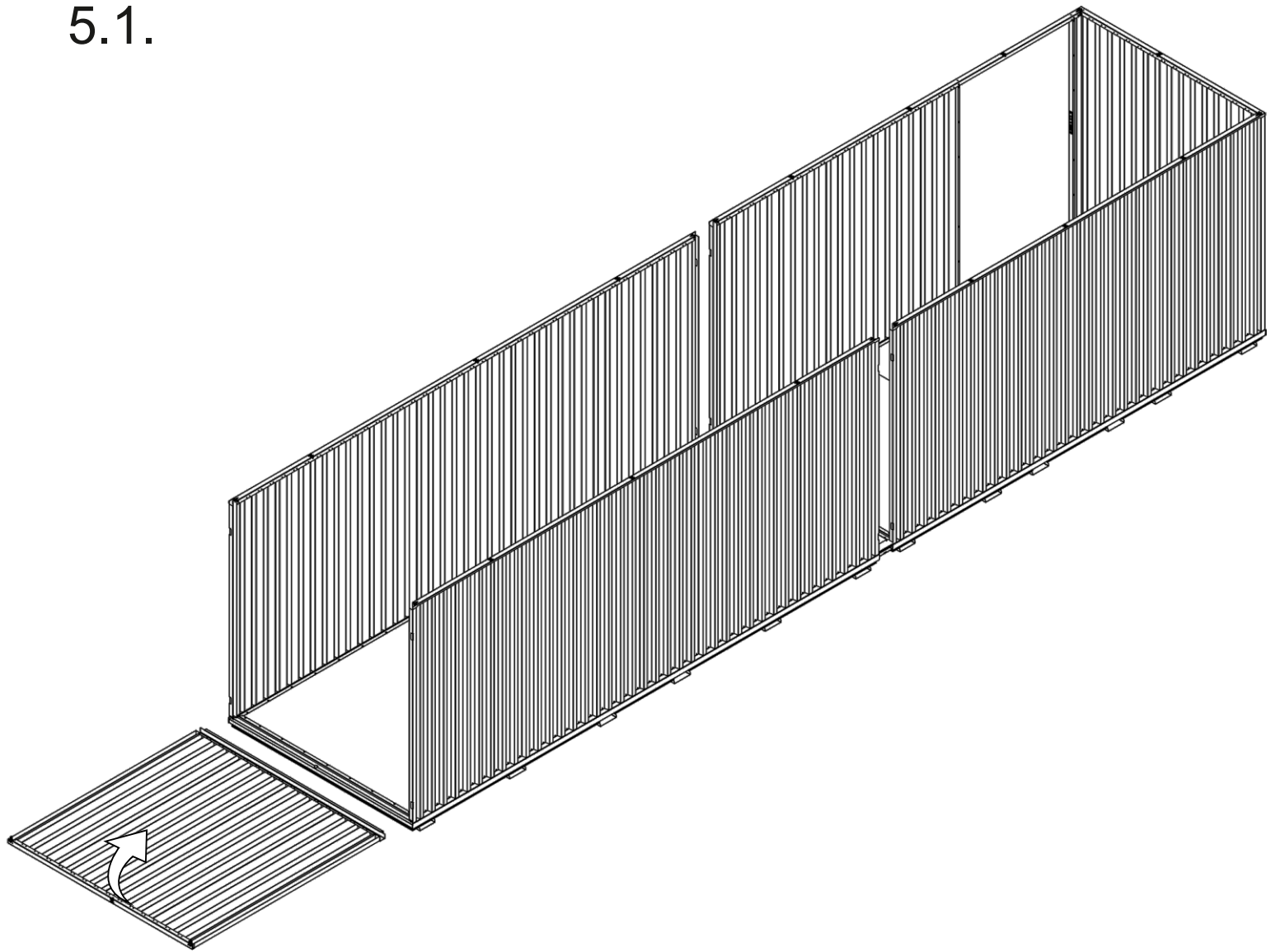




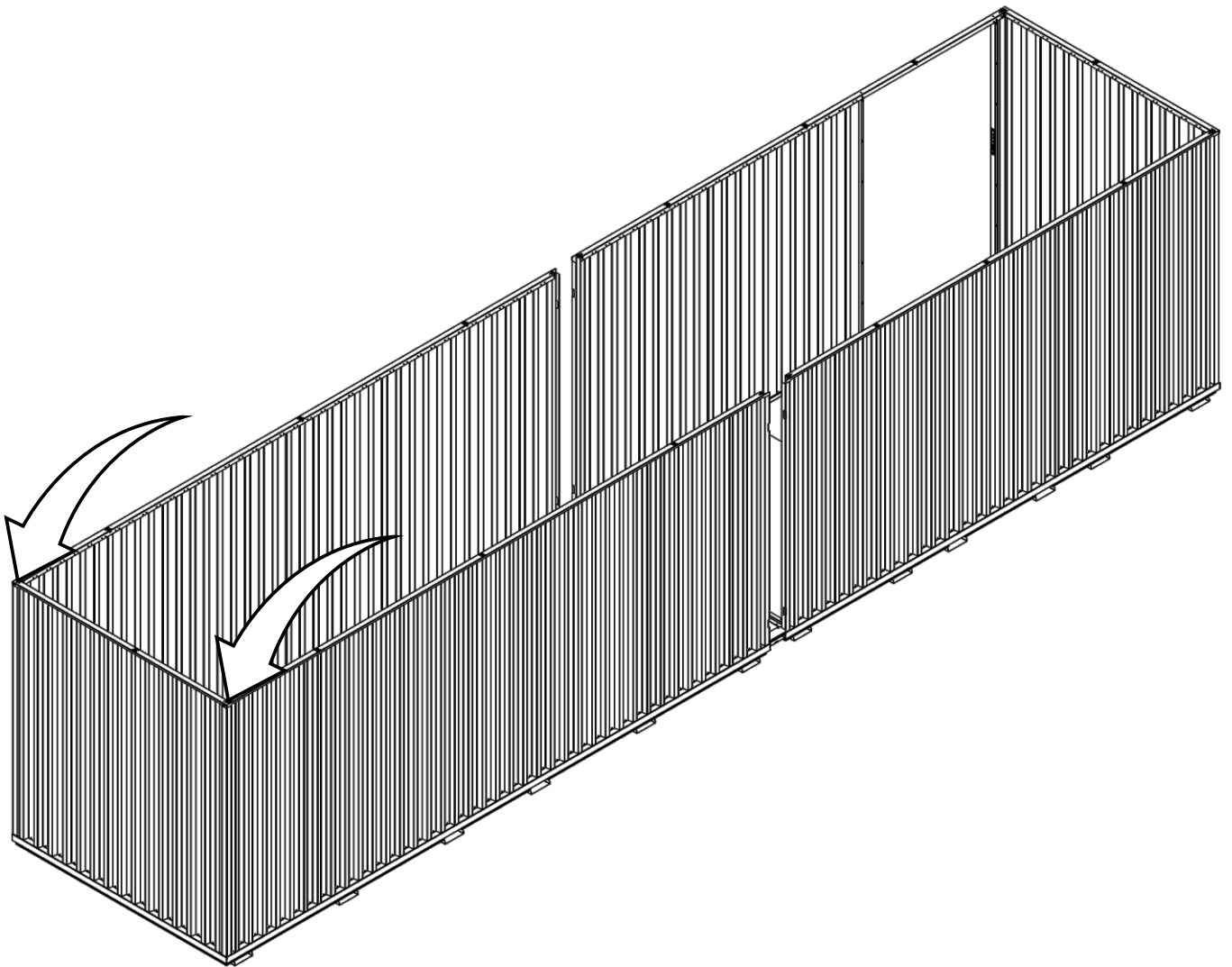
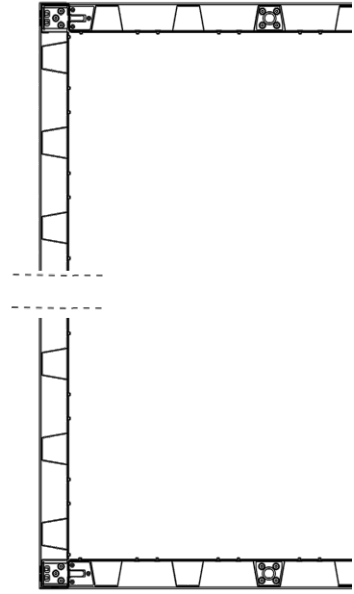
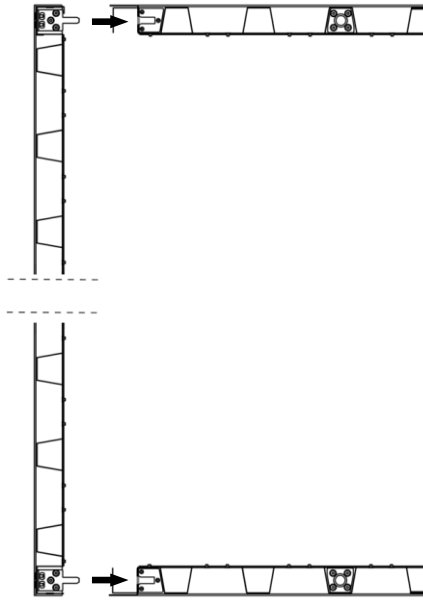
4.1.



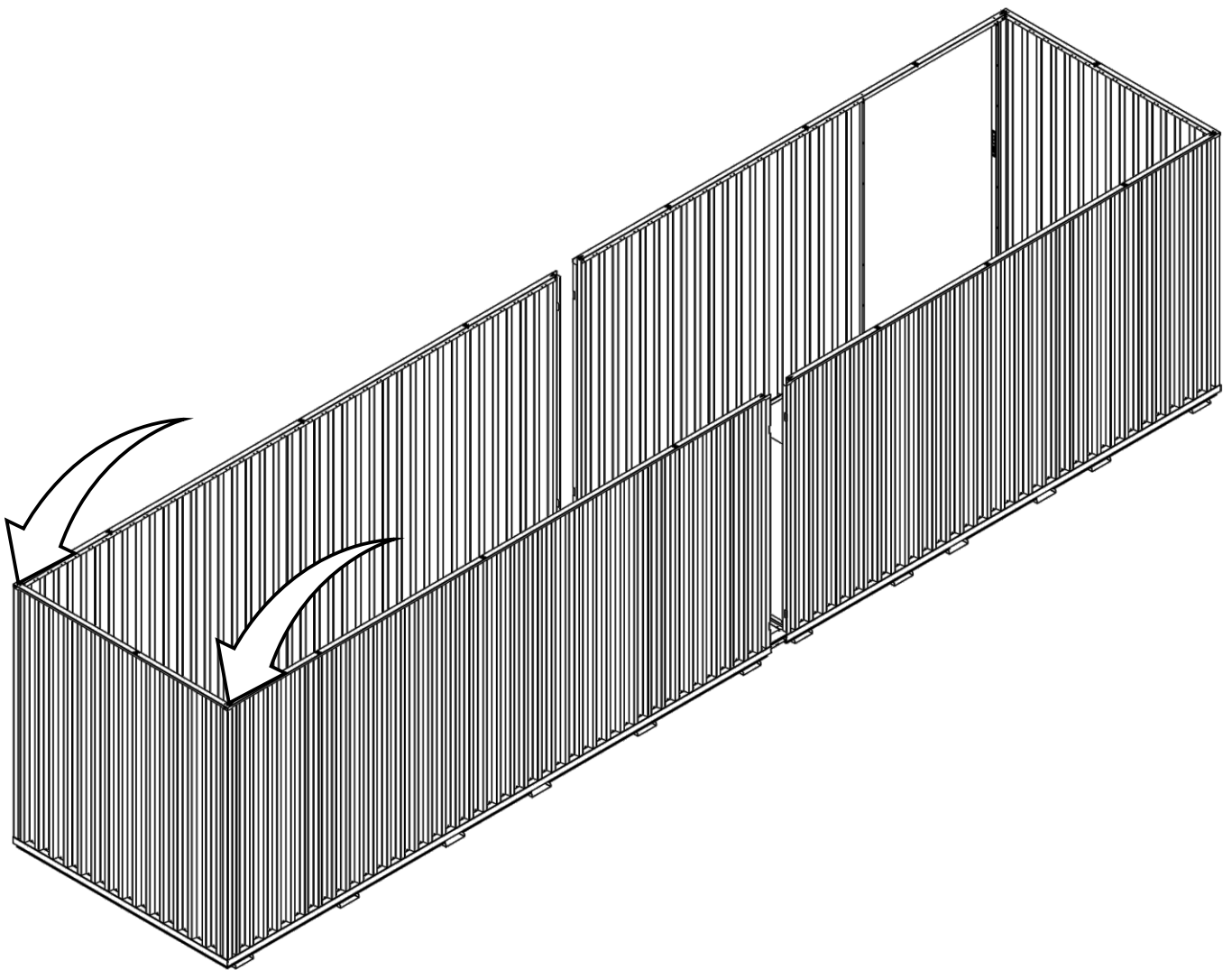
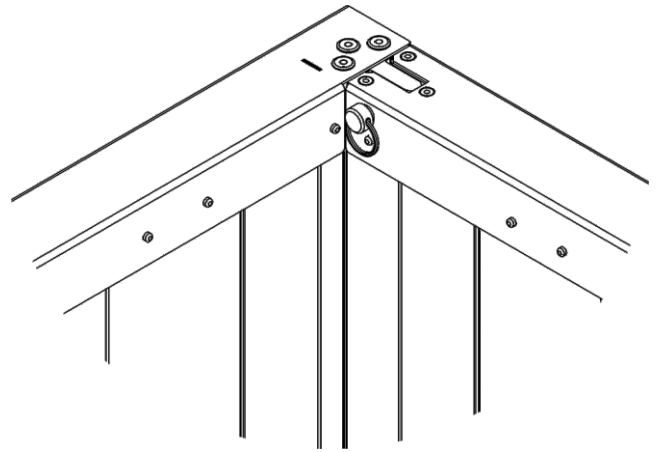
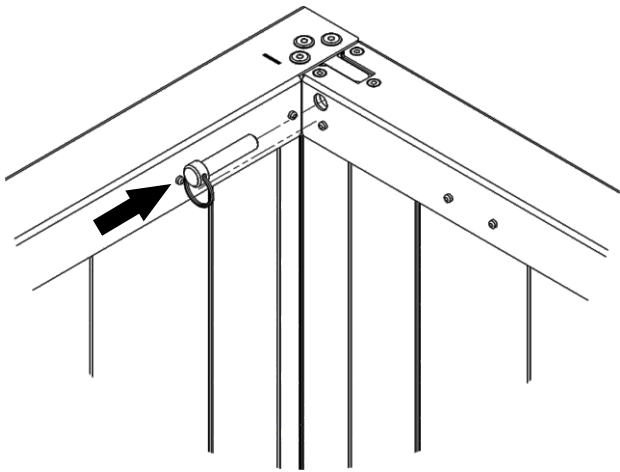
5.1.



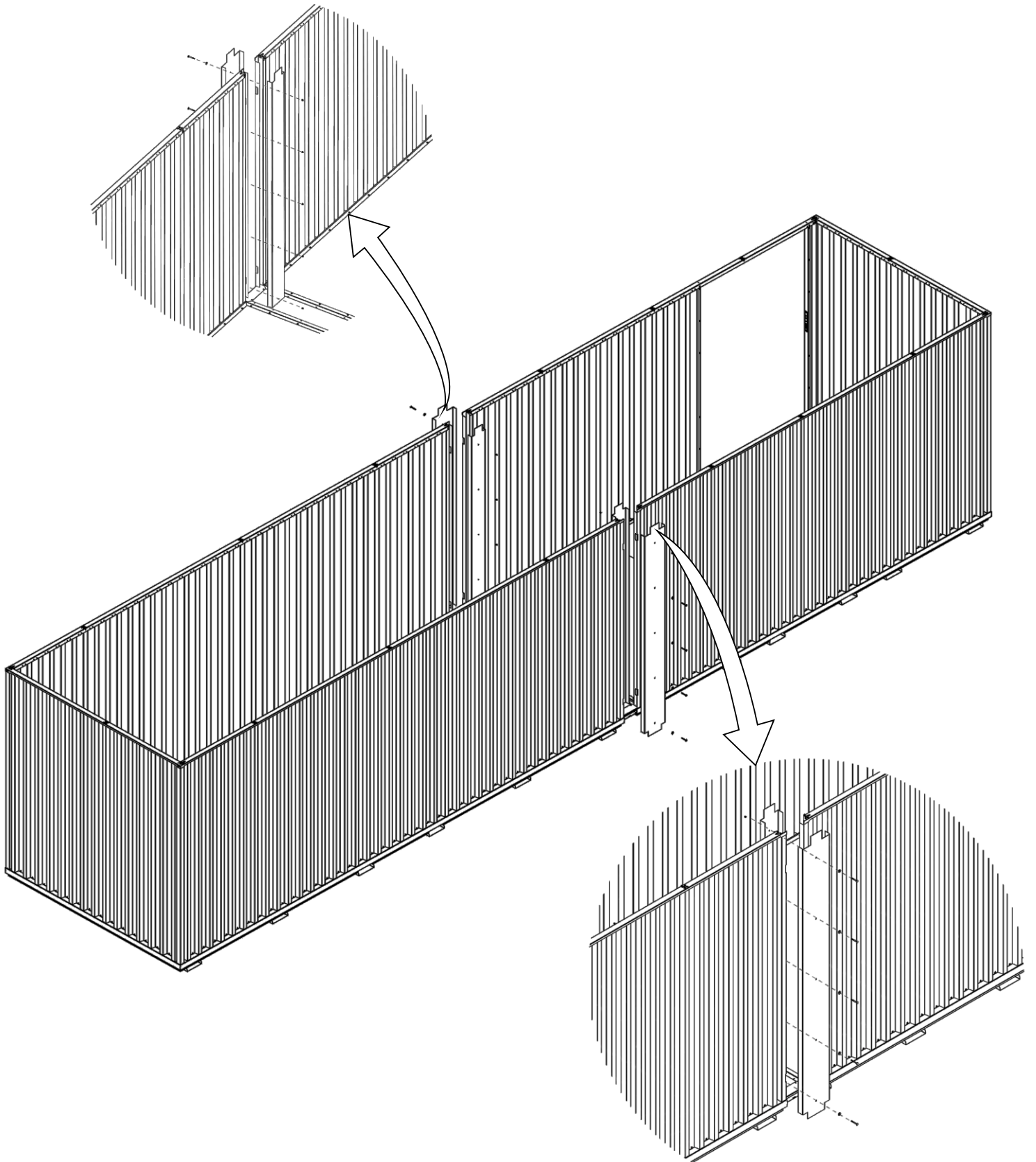
5.2.



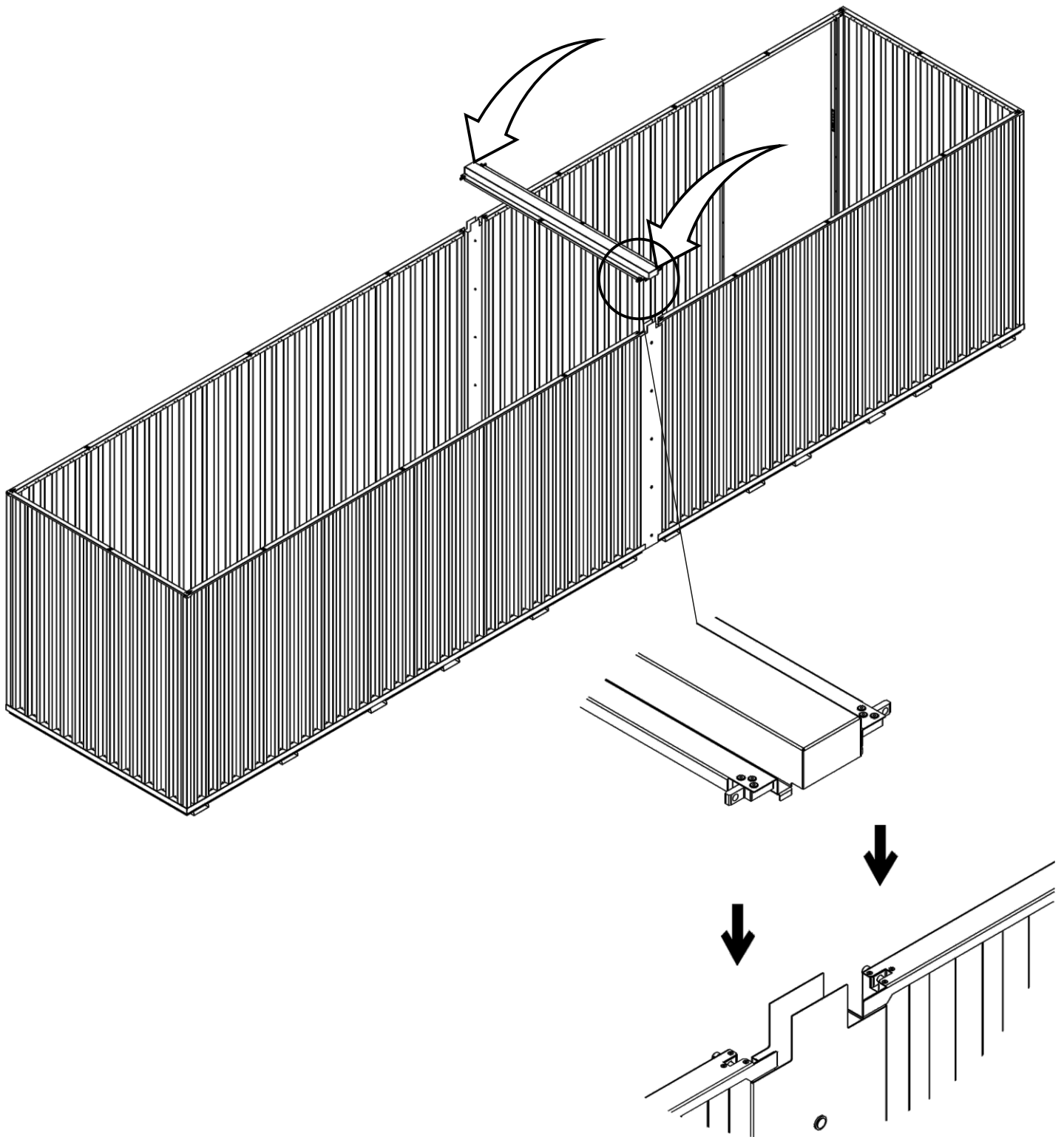
5.3.



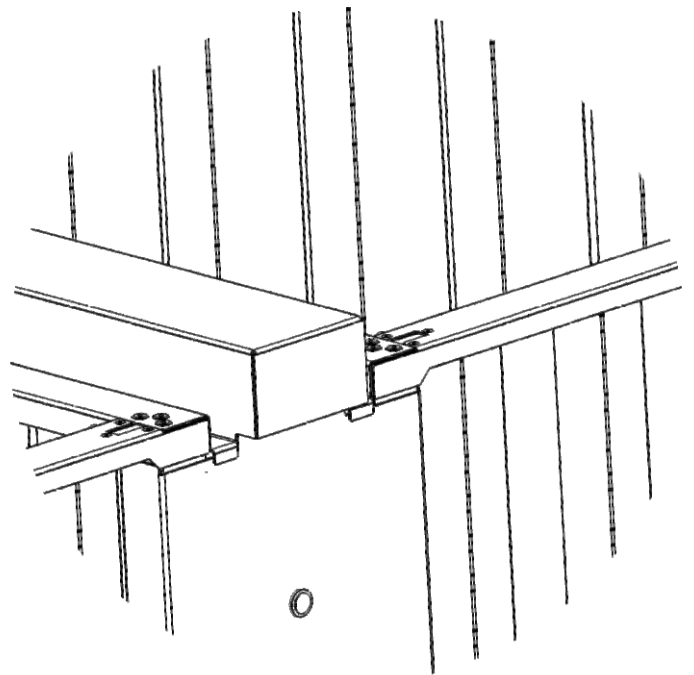
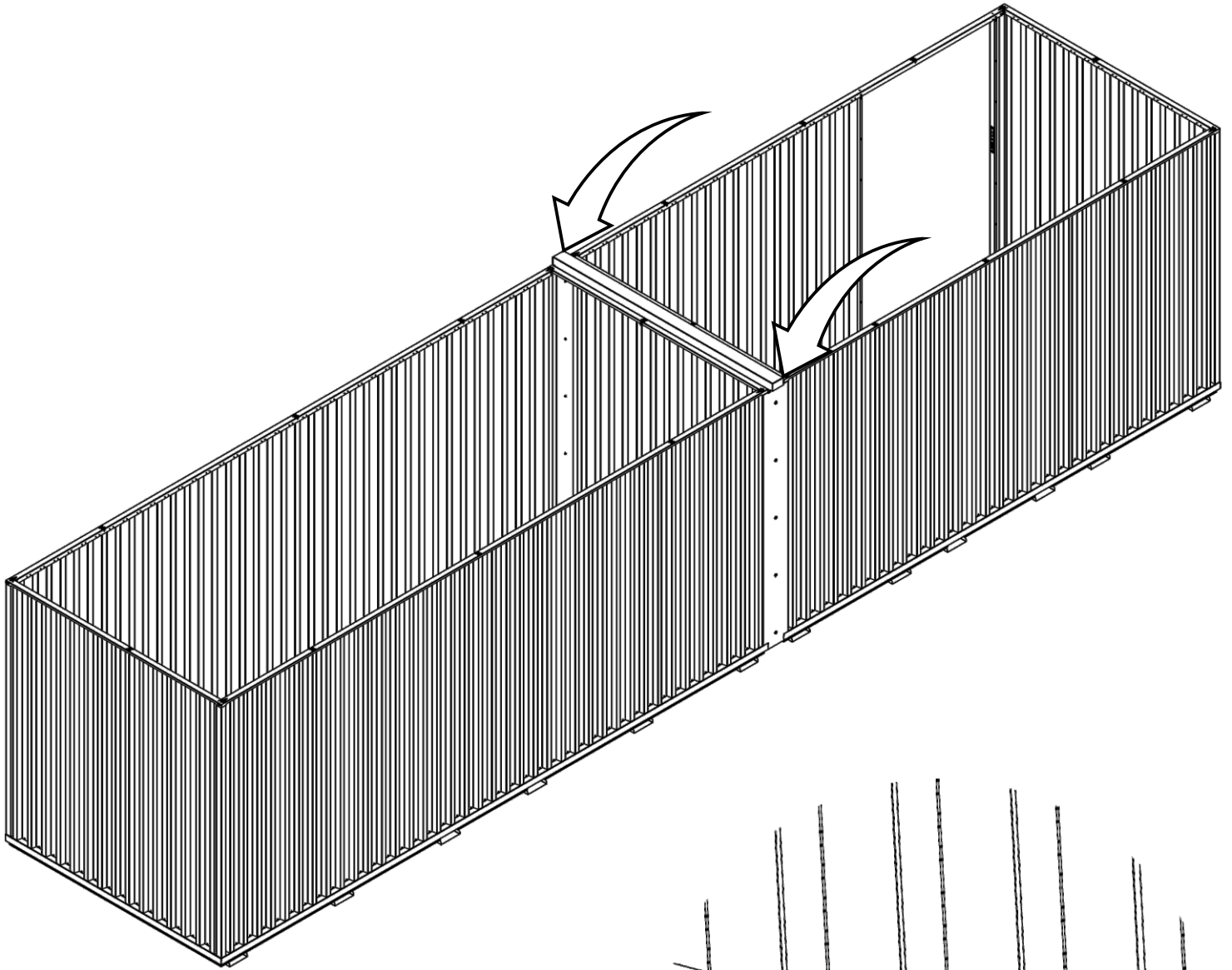
6.1.



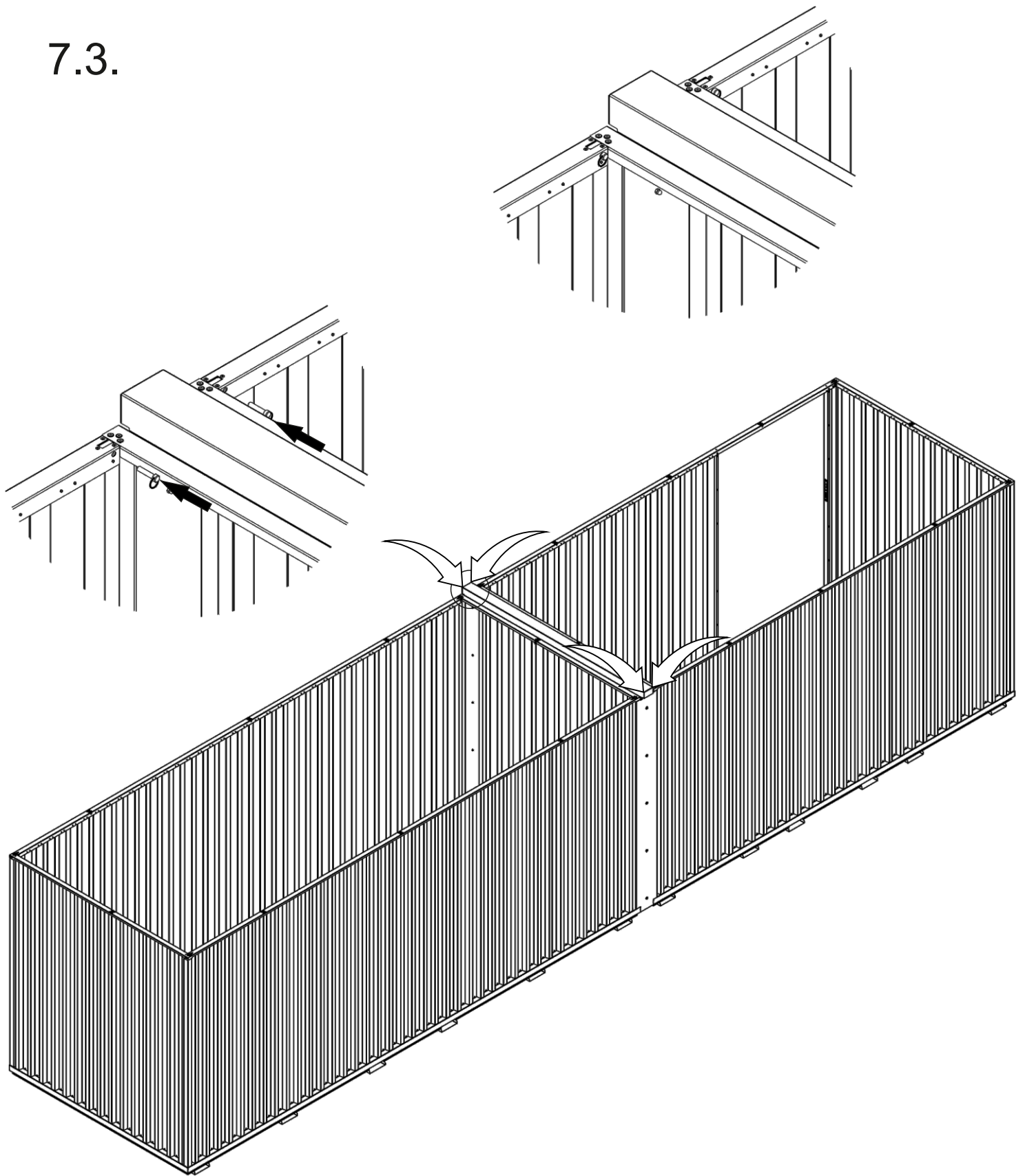
7.1.



7.2.

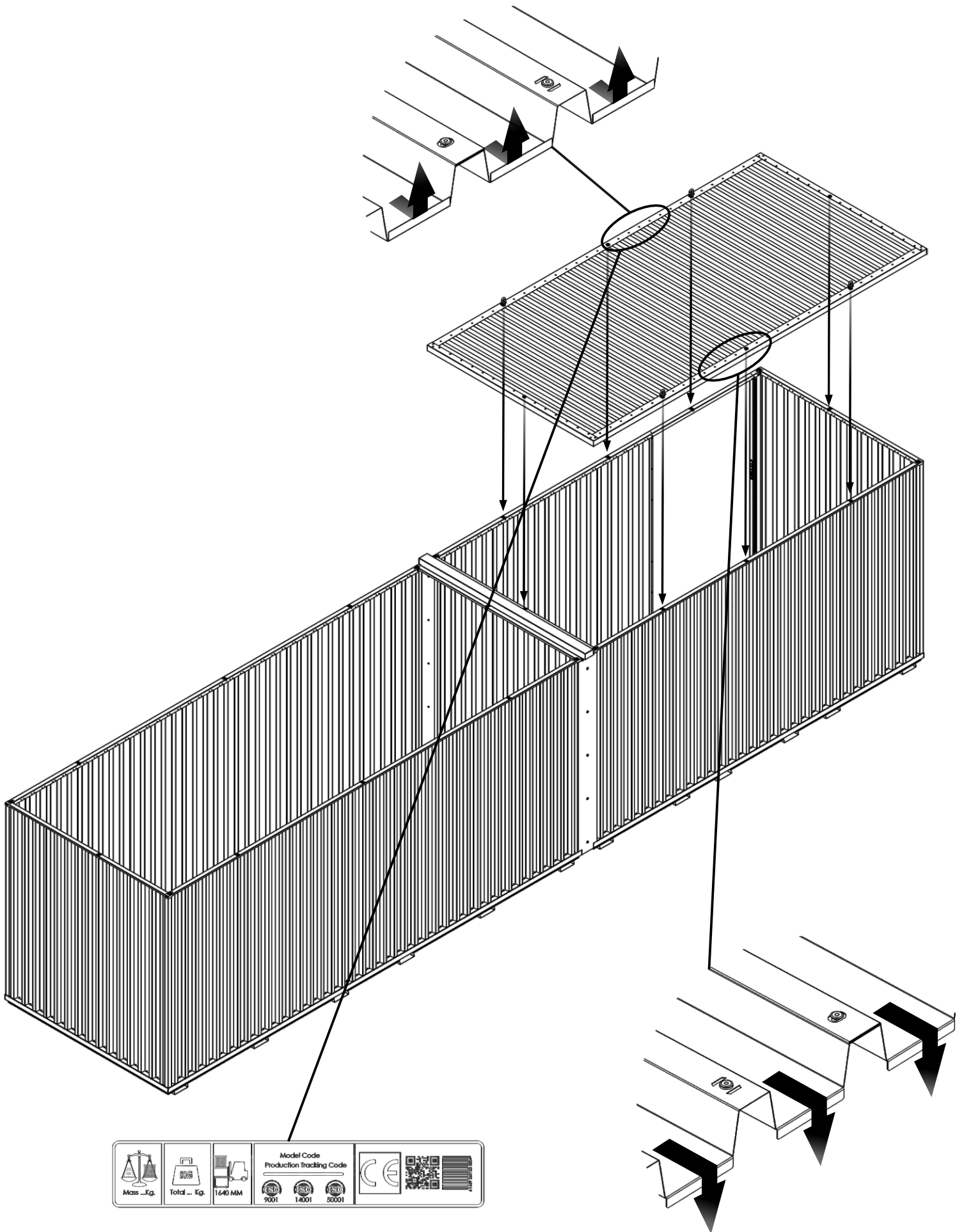








7.3.



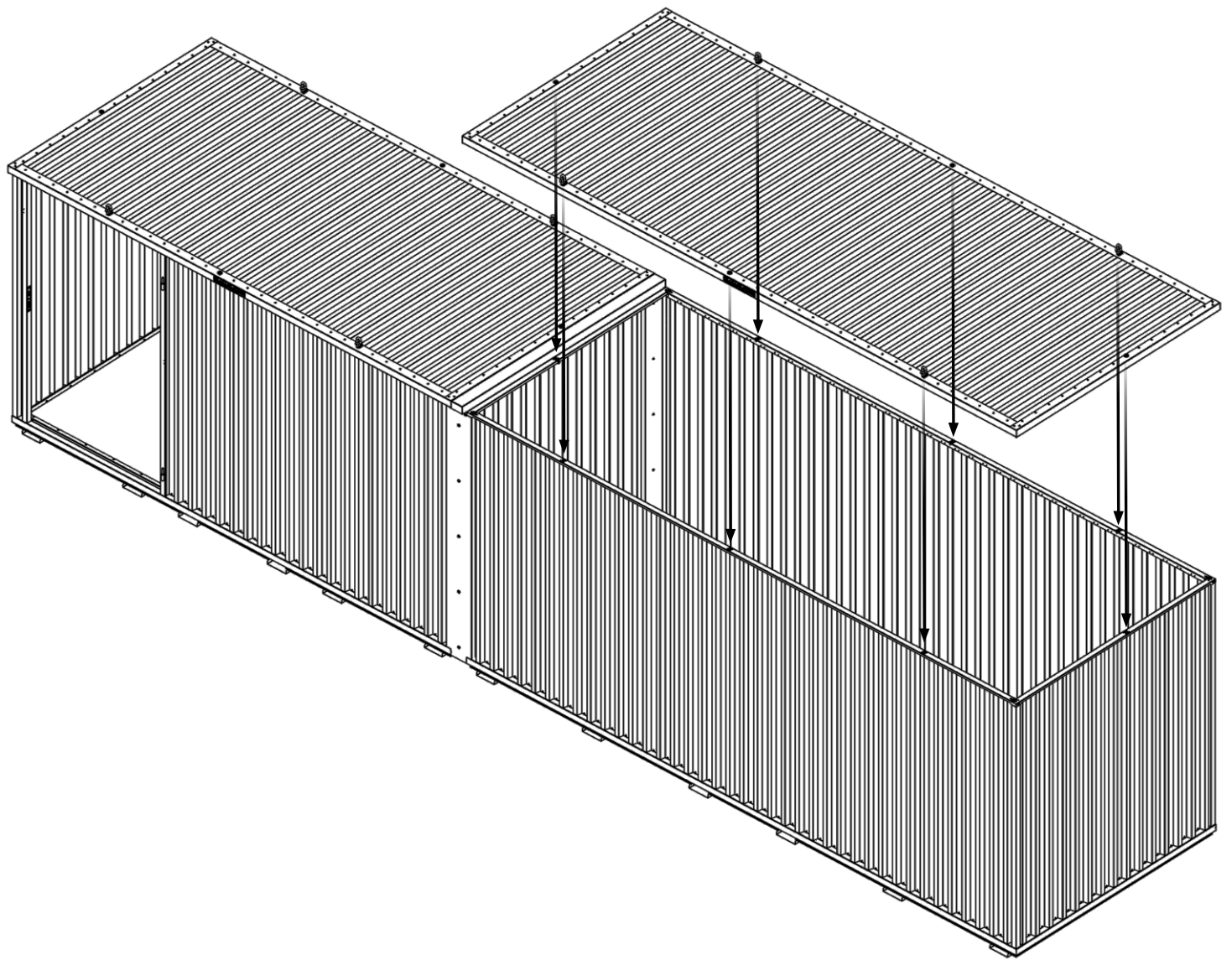


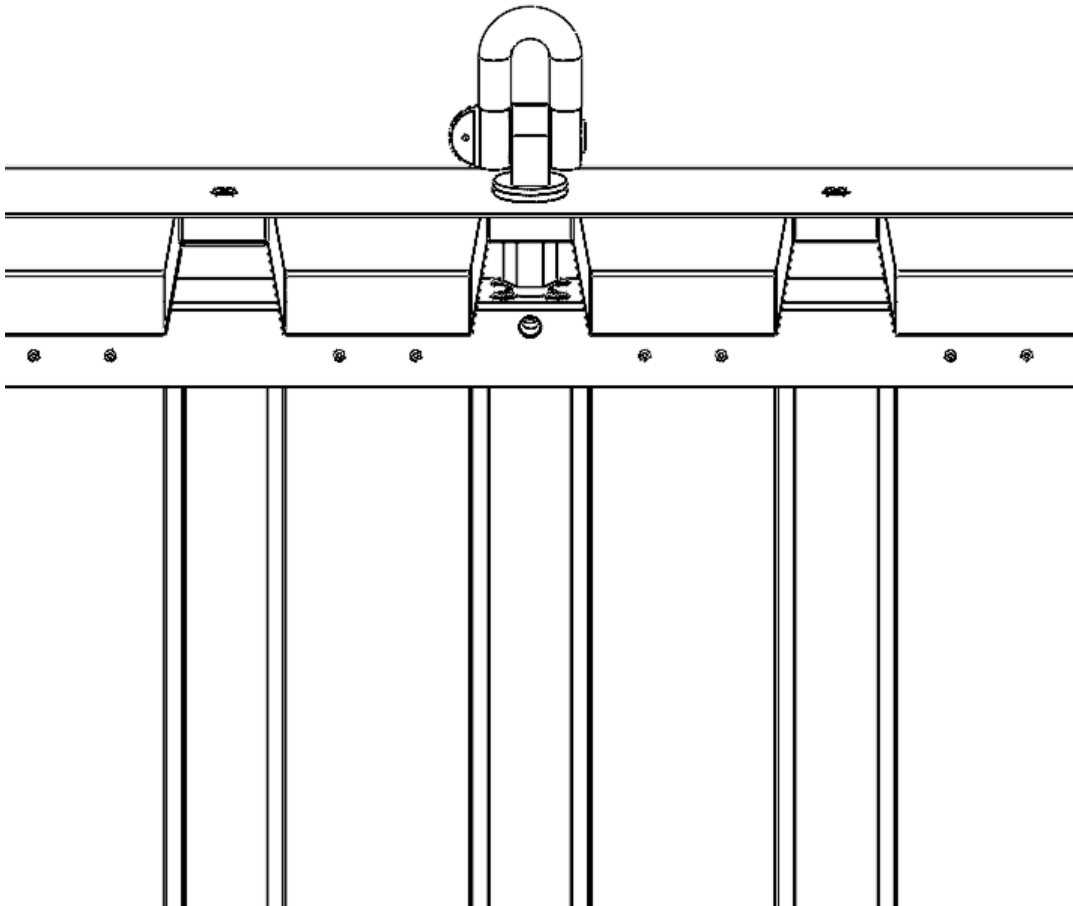
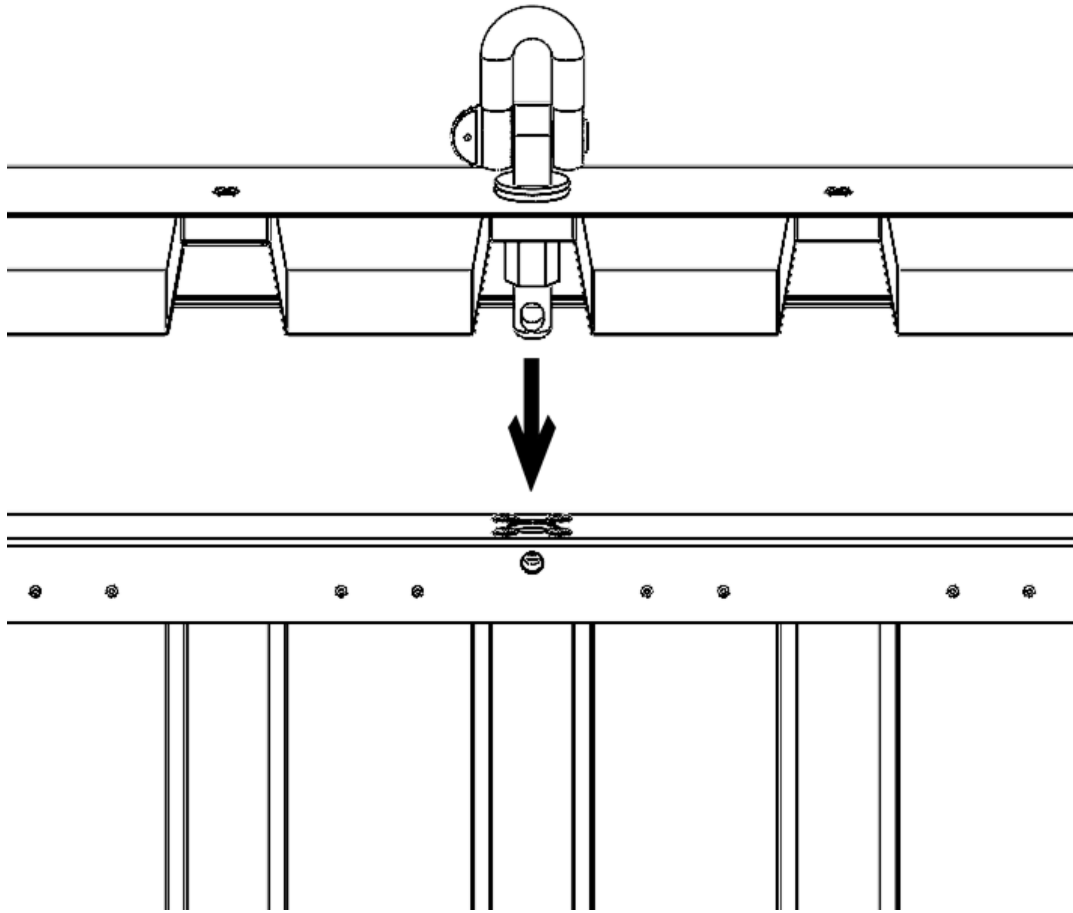
# 8.1.



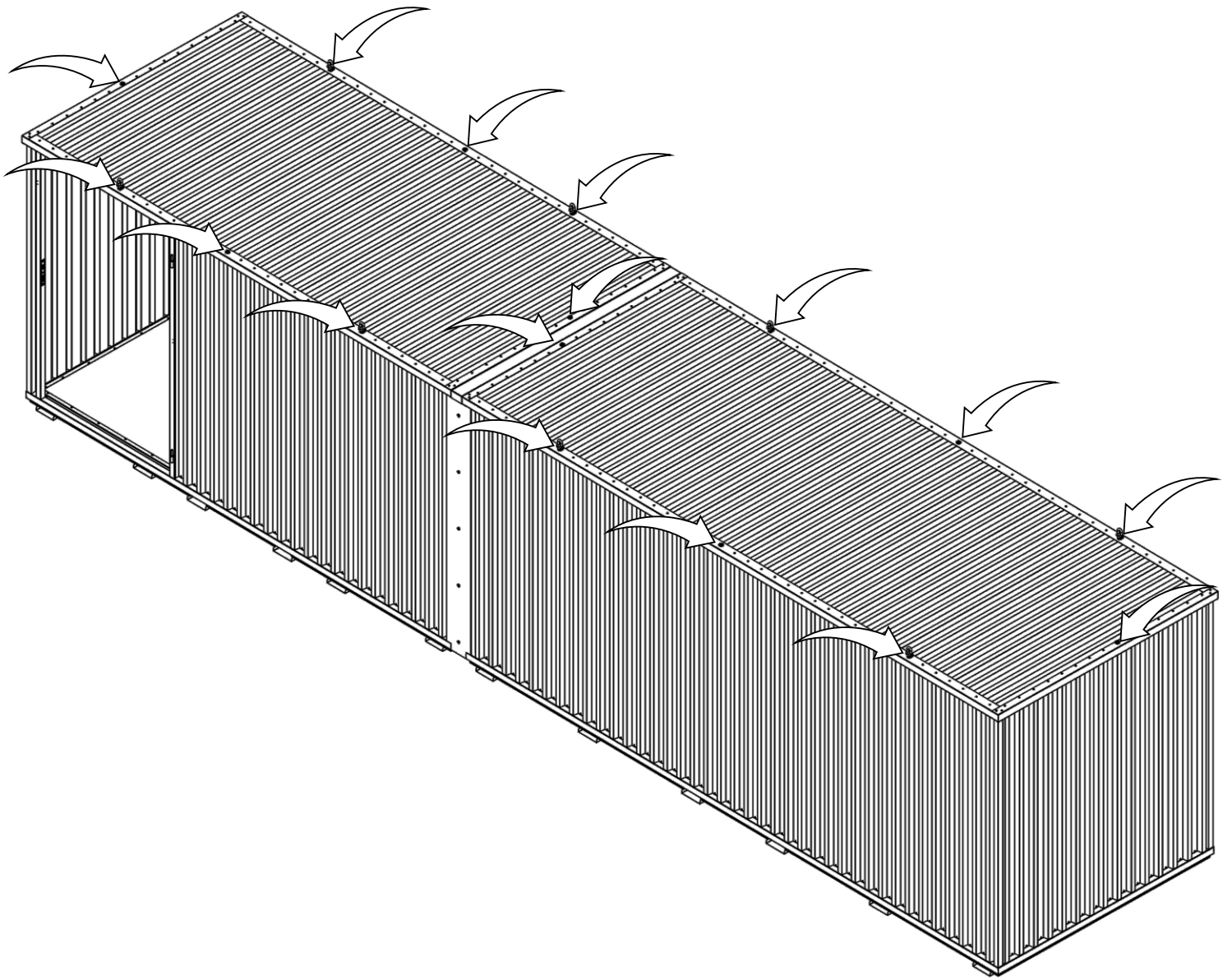
 Mass ...Kg.	 Total ... Kg.	 1640 MM	Model Code Production Tracking Code					
			 9001	 14001	 50001			

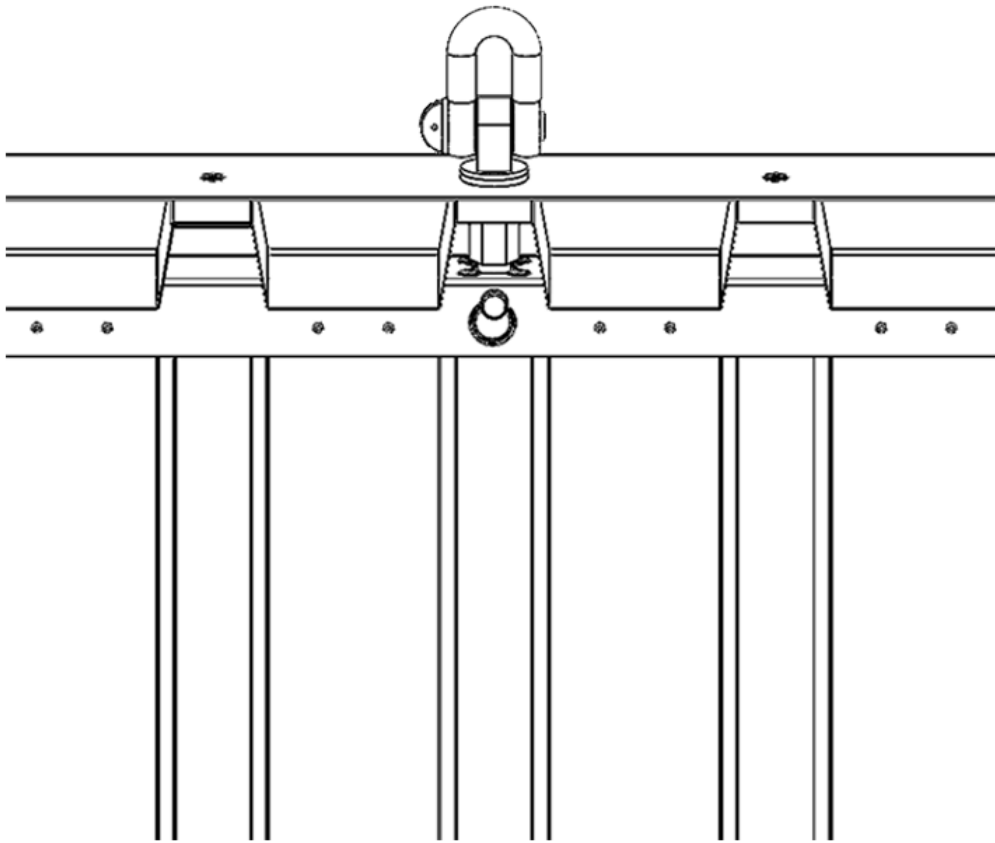
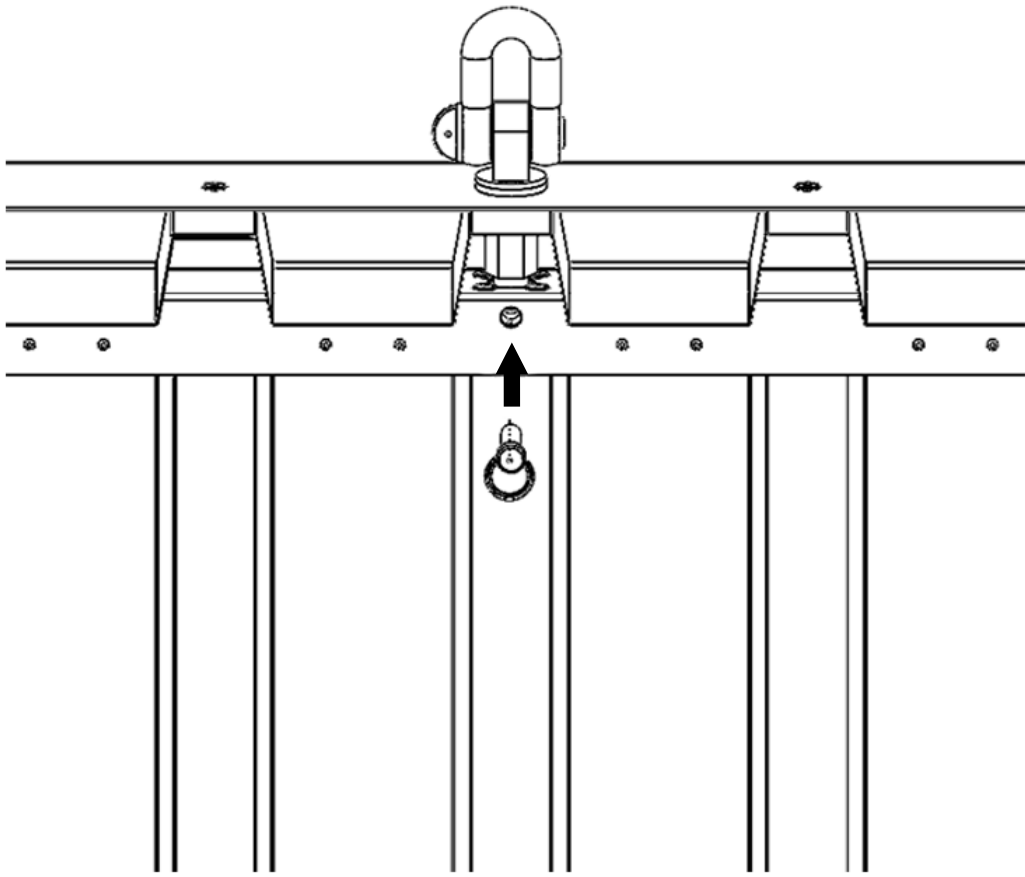
8.2.



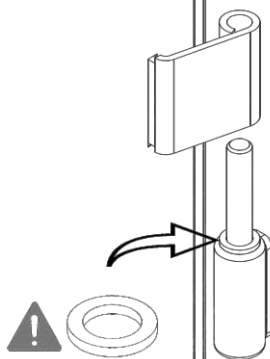
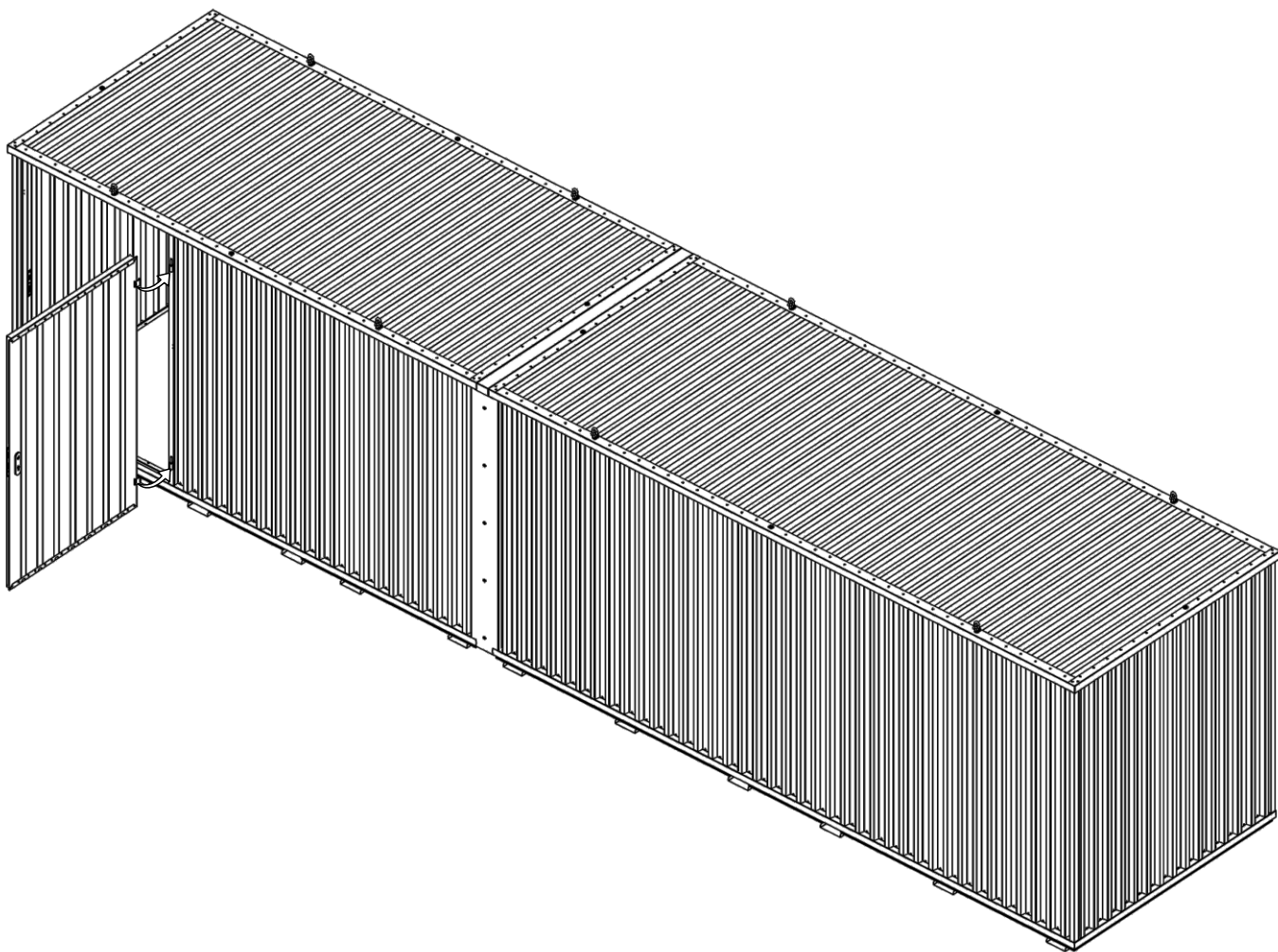


8.3.

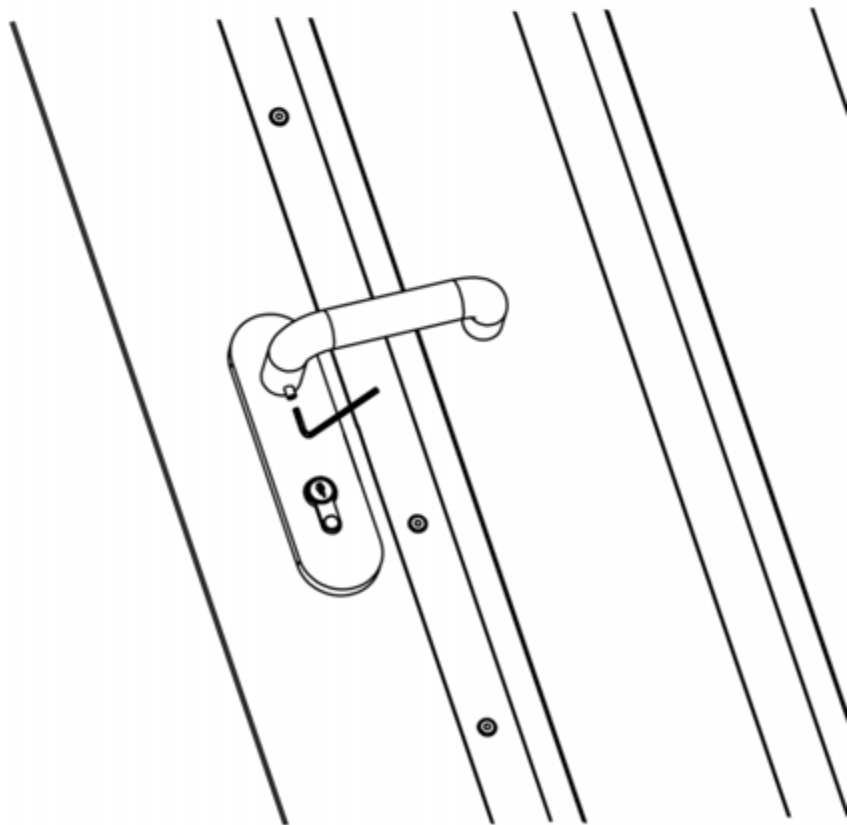
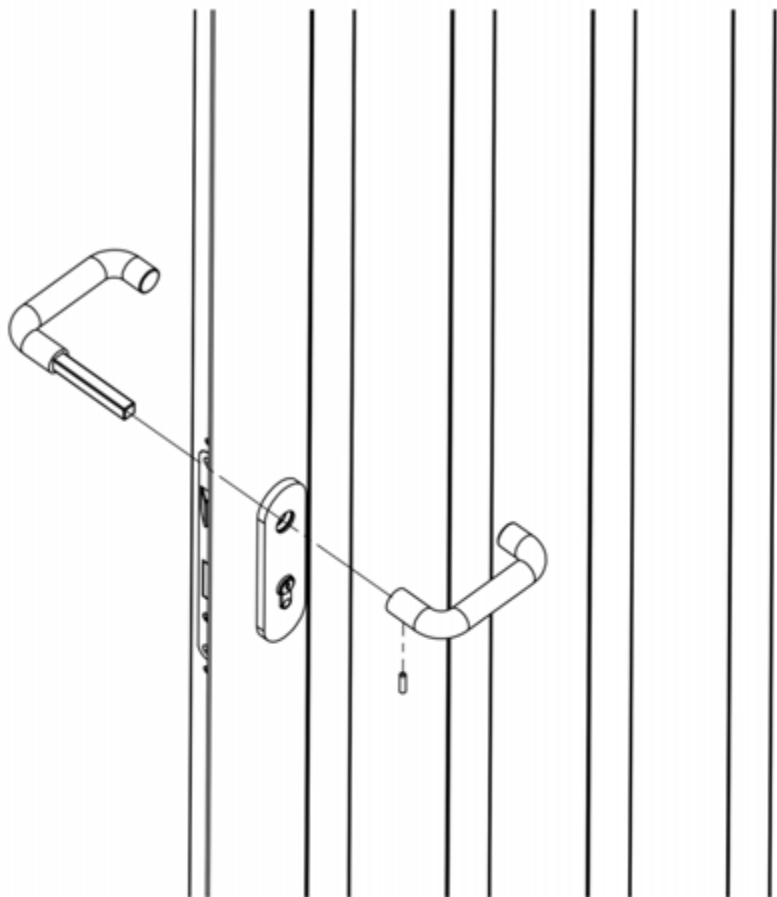




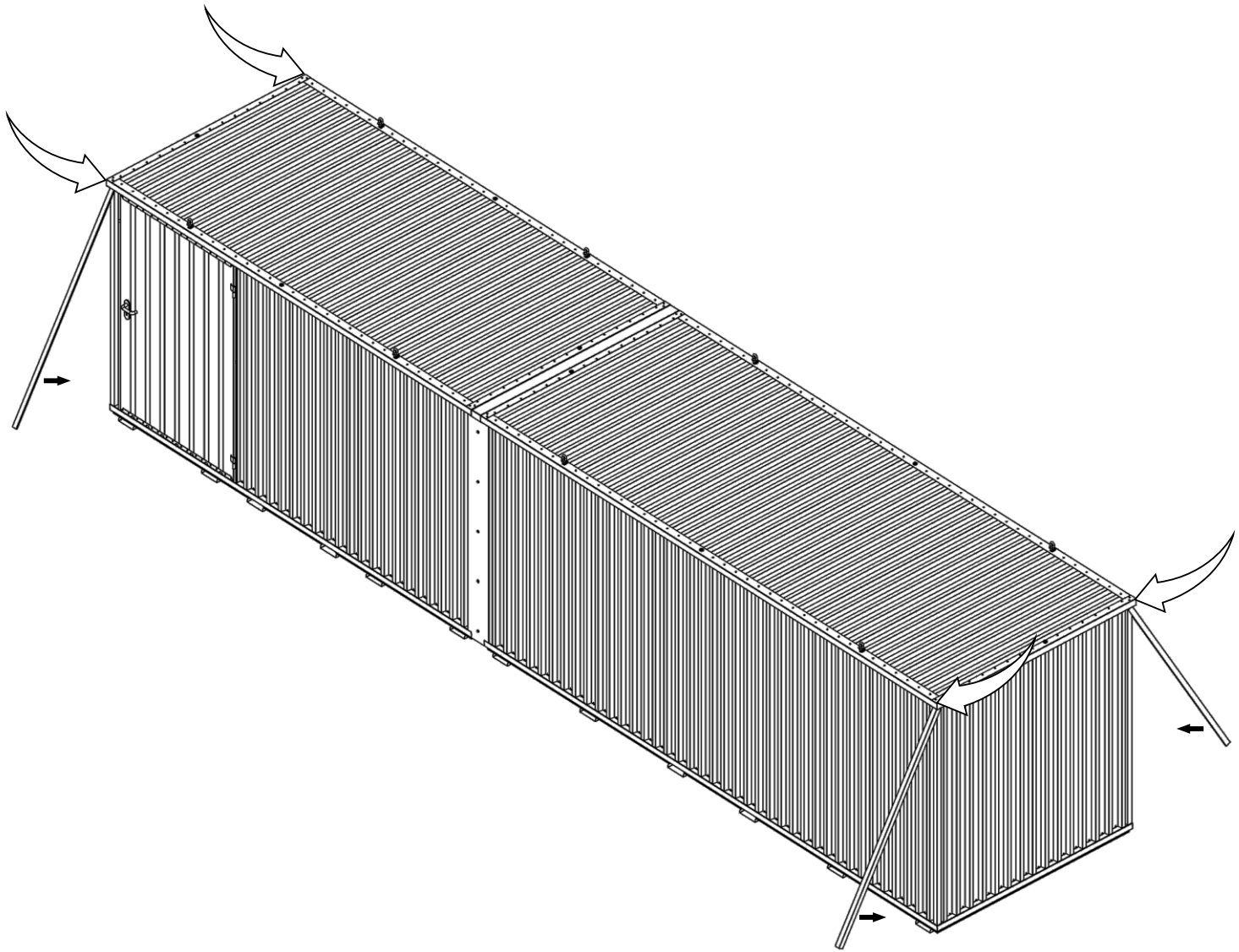
9.1.



9.2.



10.1.





11.1.

