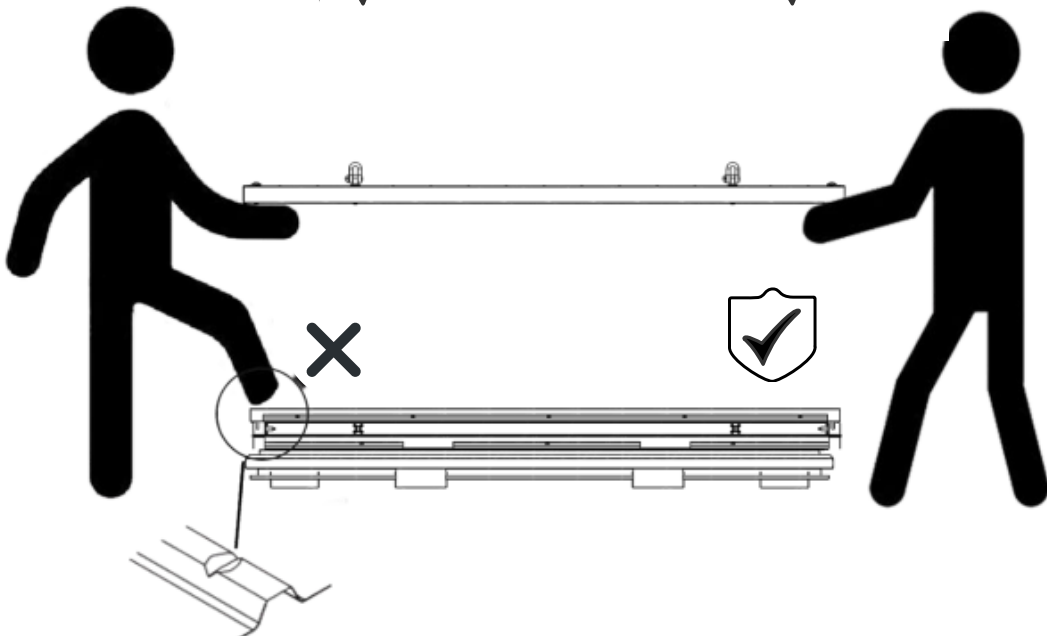
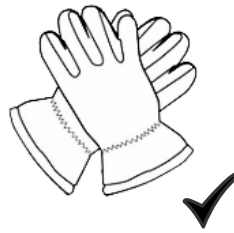
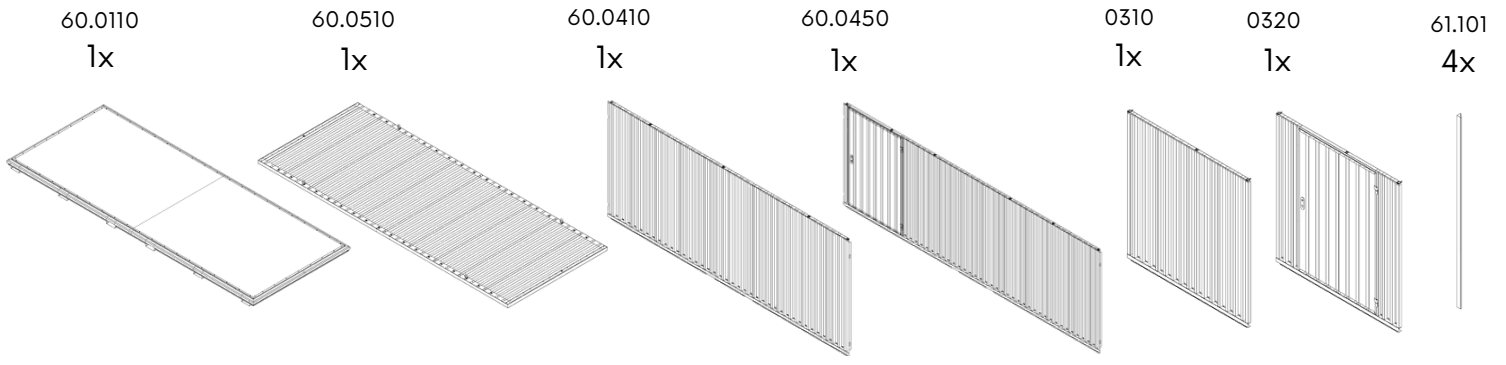


PRODUCT CODE:60.110.450.320

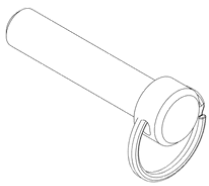
**prefabase**  
Quick Build Solutions

Instructions and User Guide

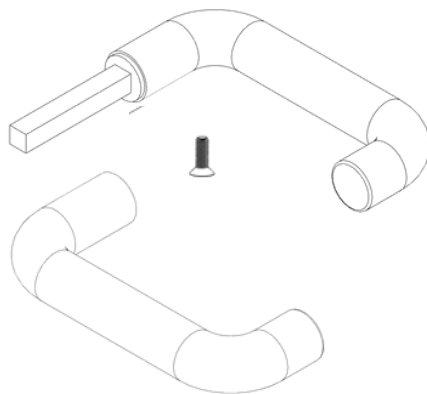




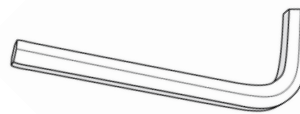
14x



2x



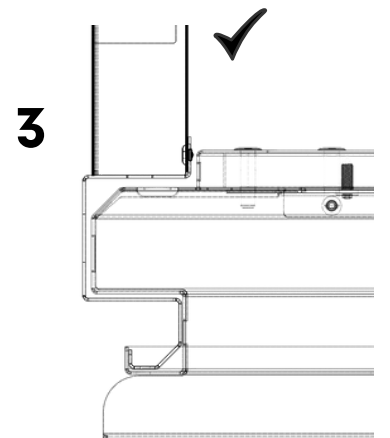
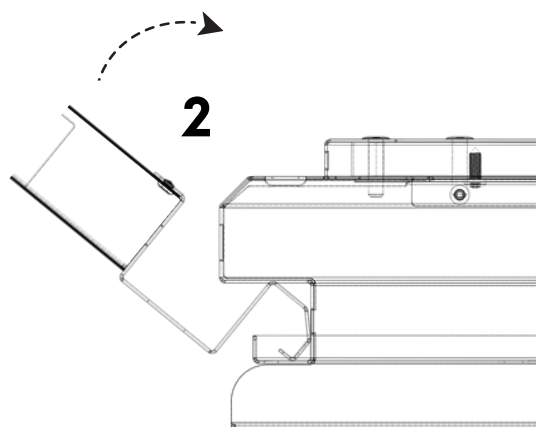
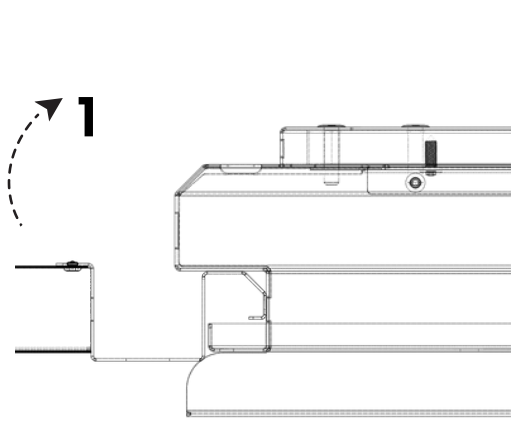
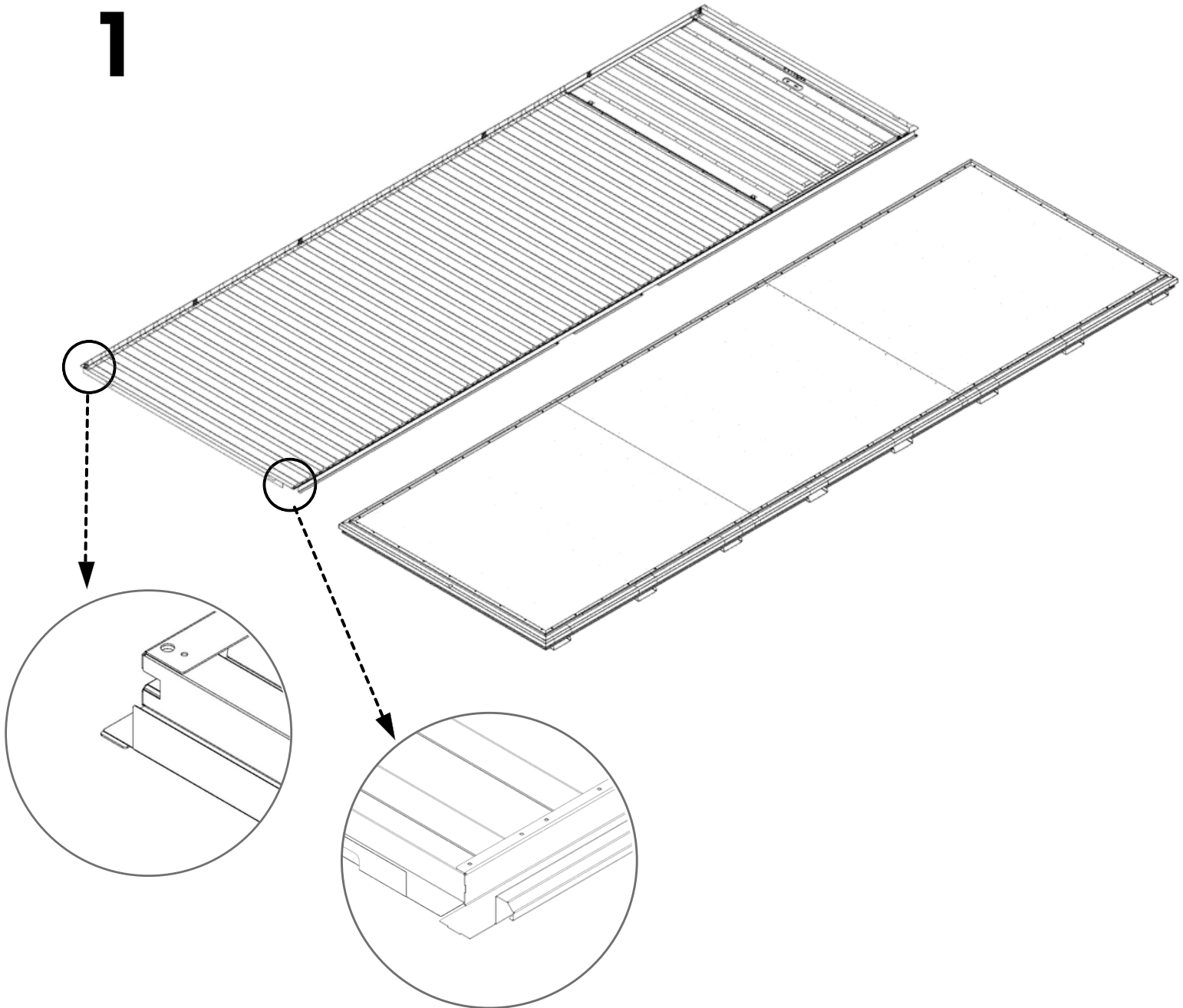
1x



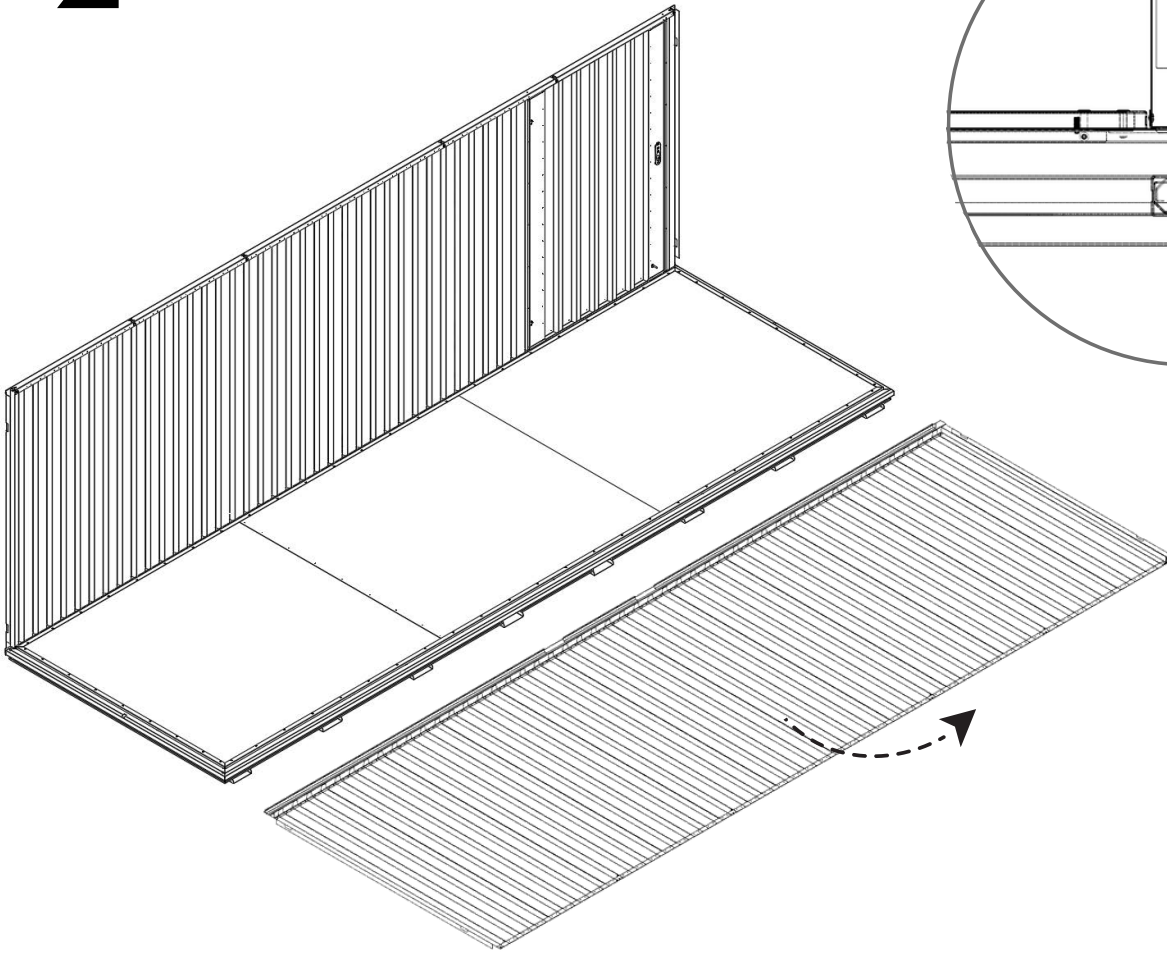
2x



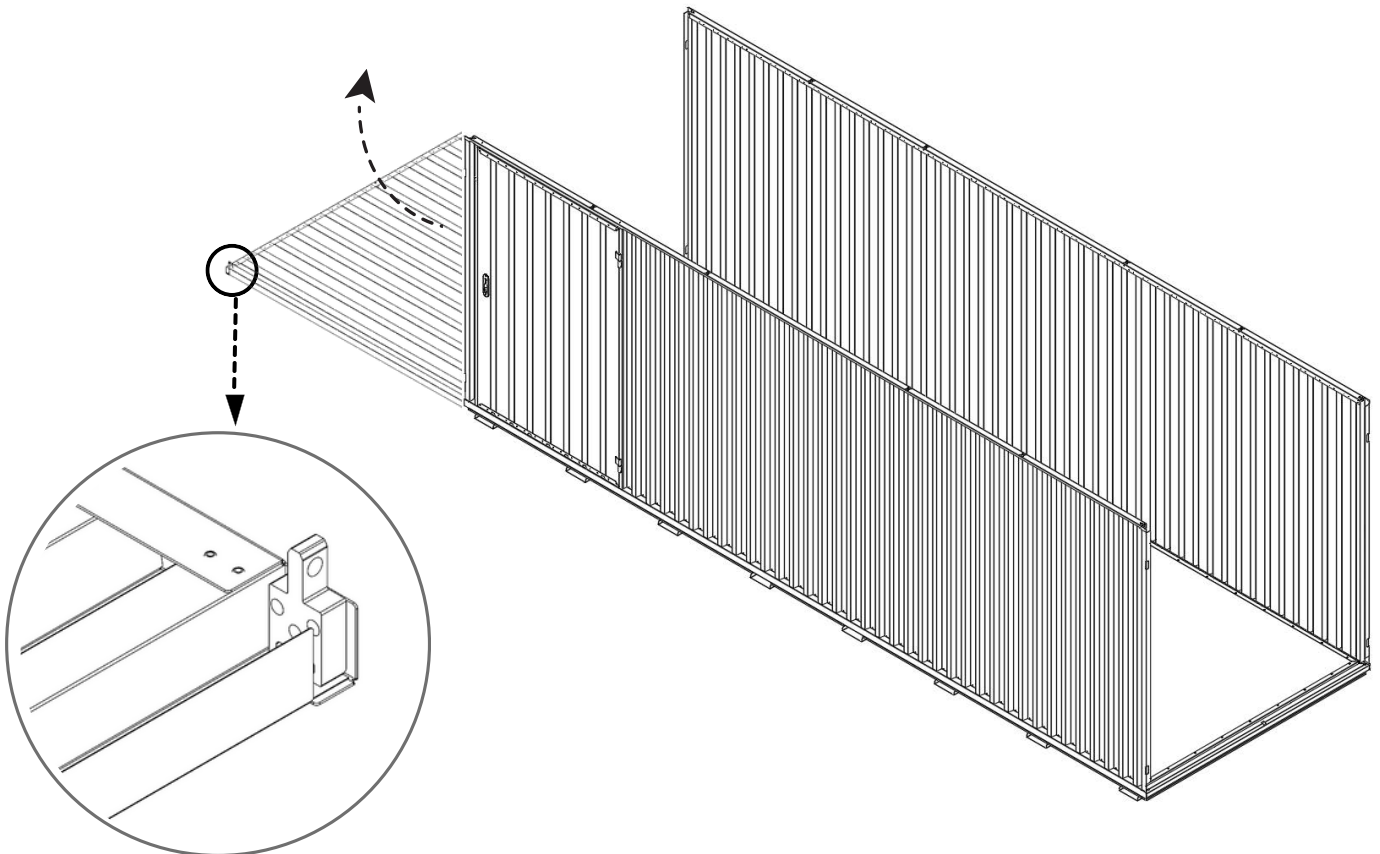
# 1



**2**

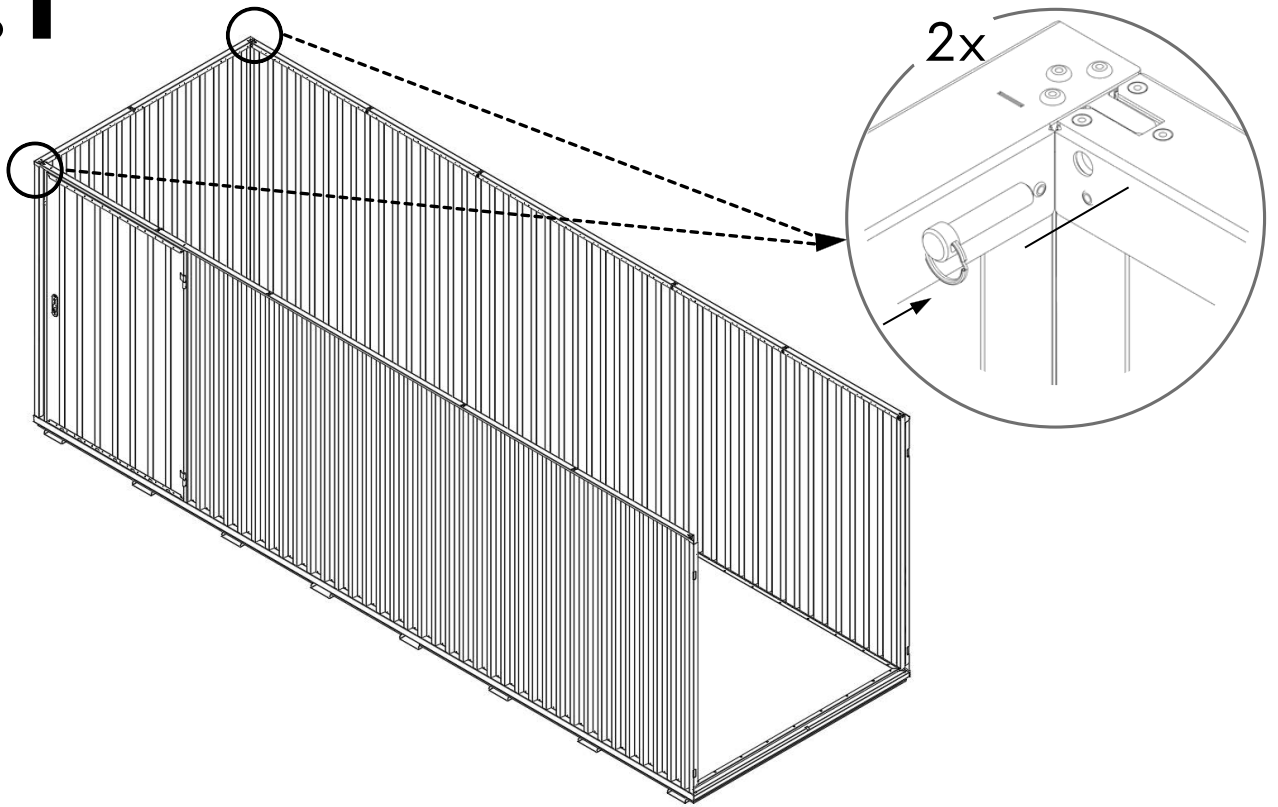


**3**

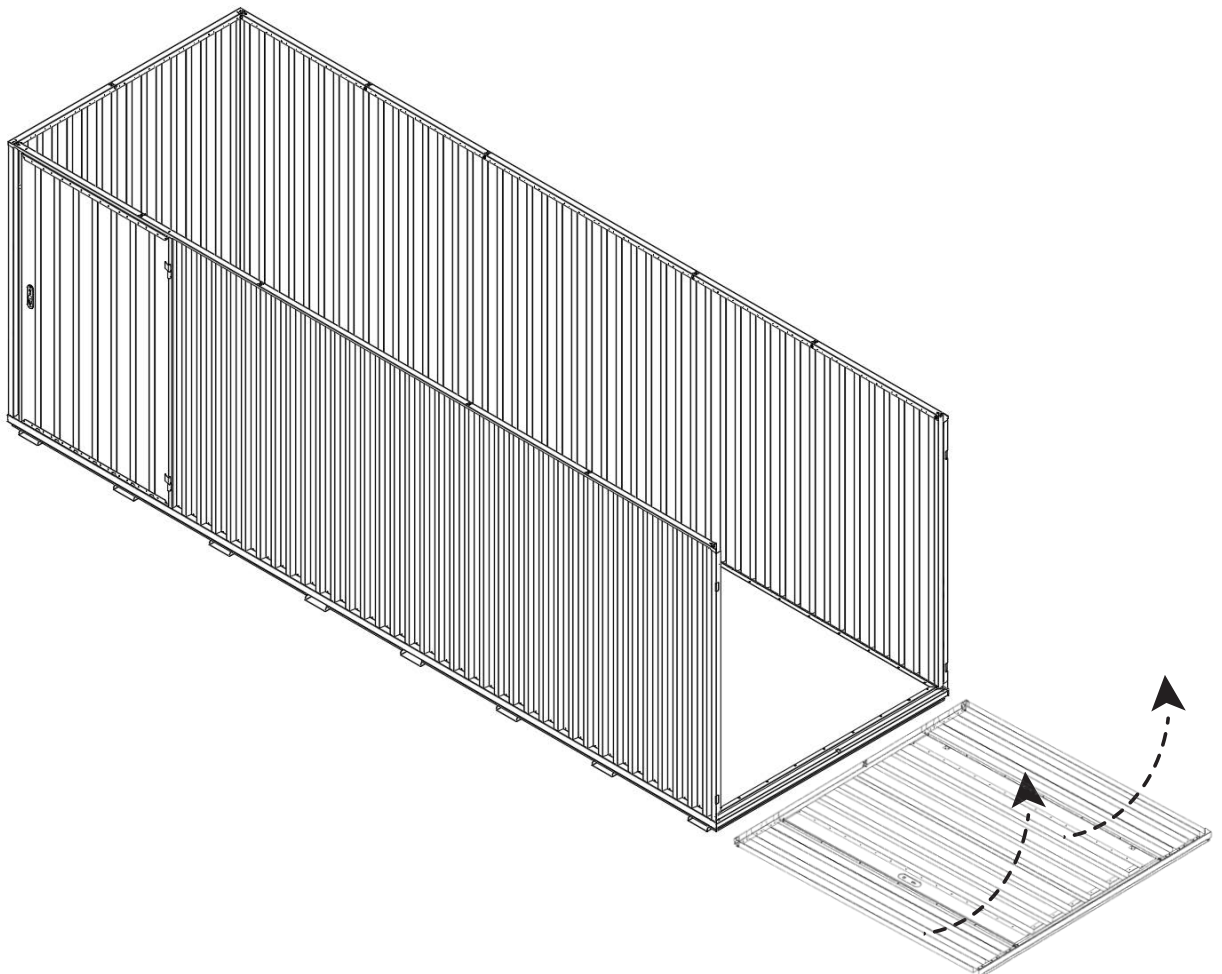




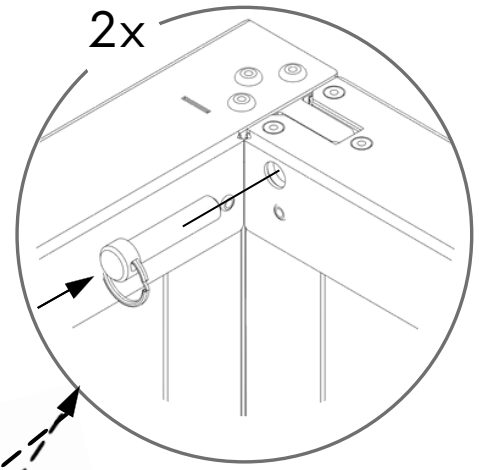
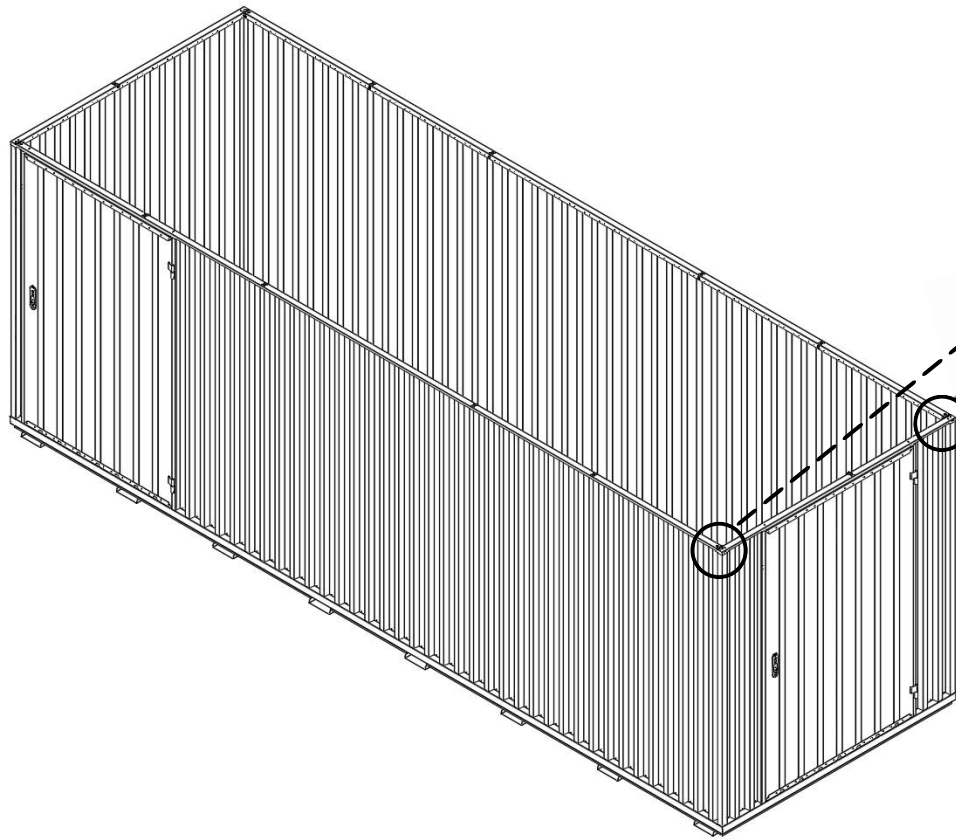
# 3.1



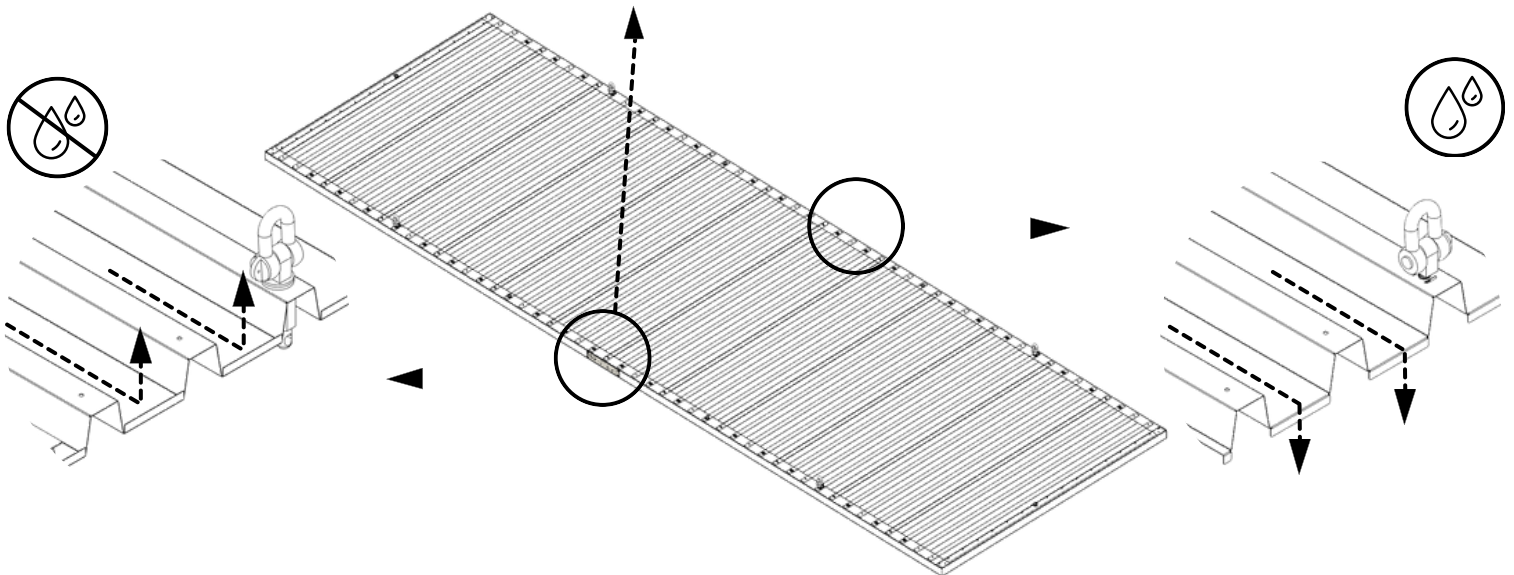
# 4



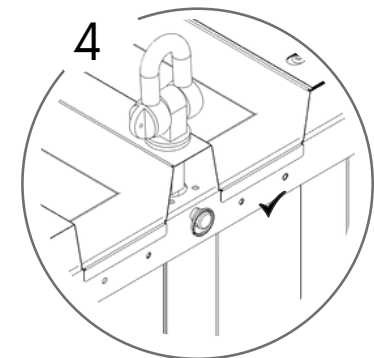
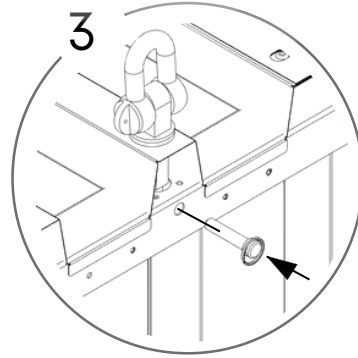
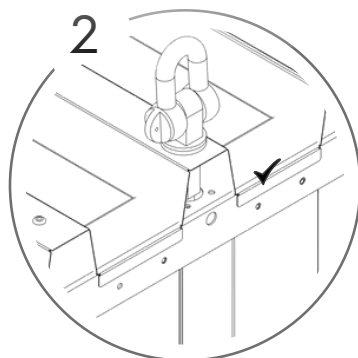
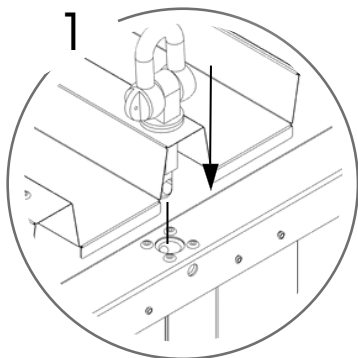
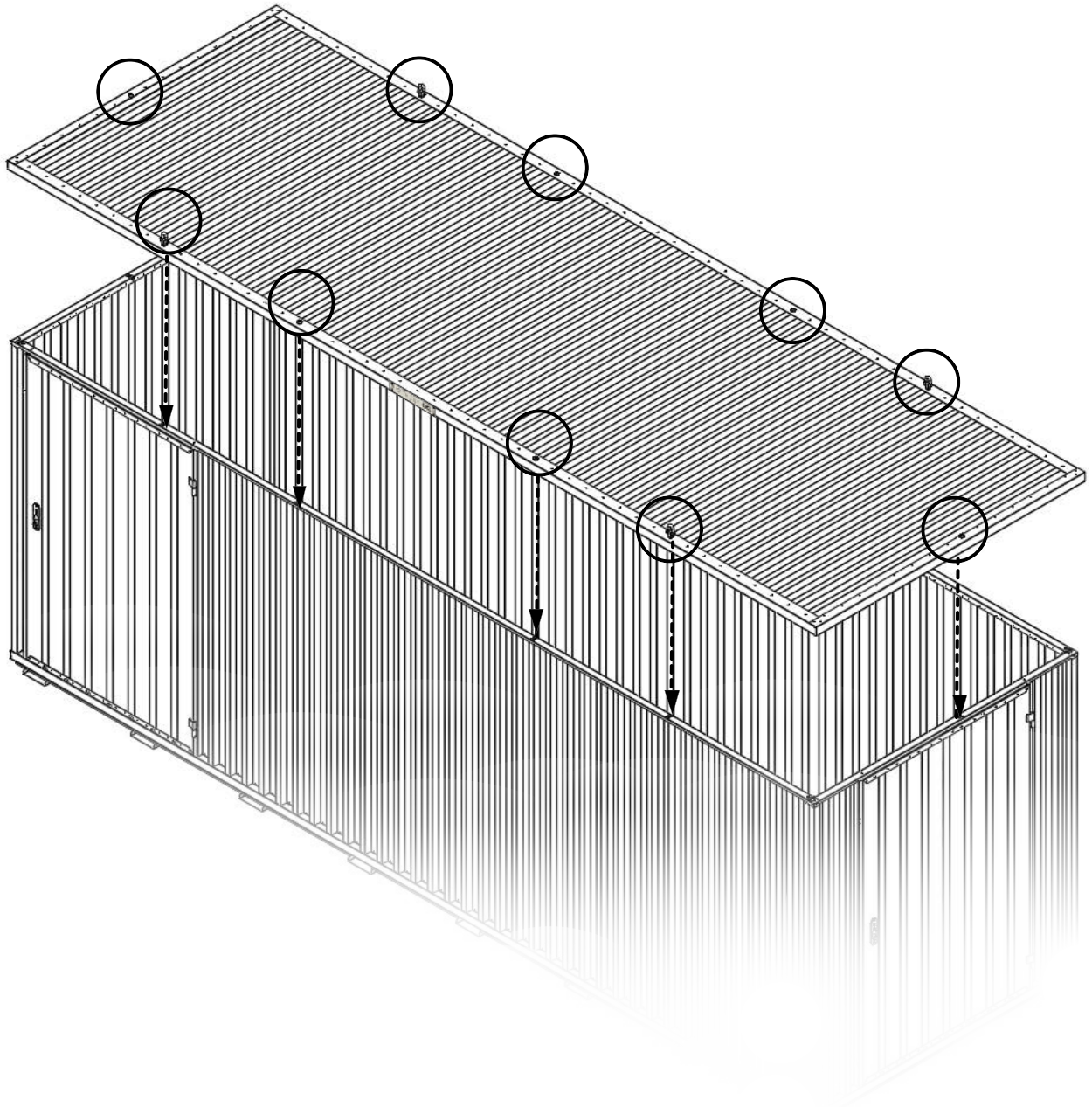
# 4.1



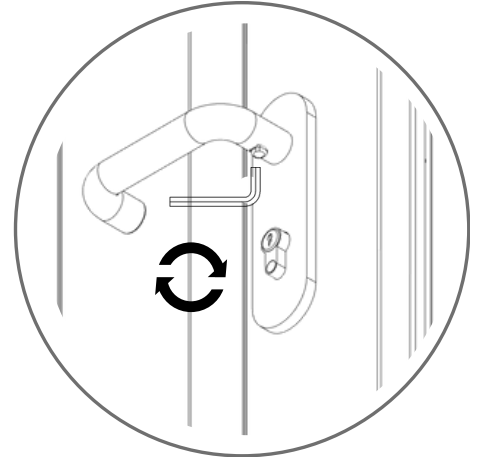
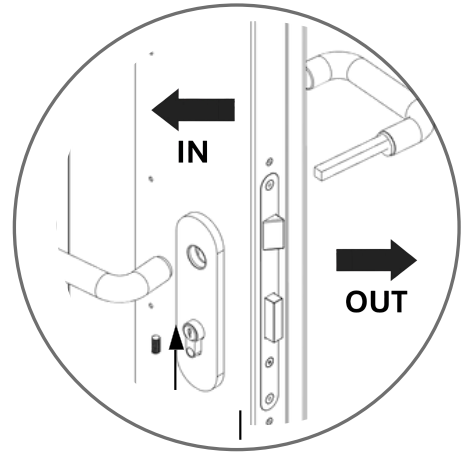
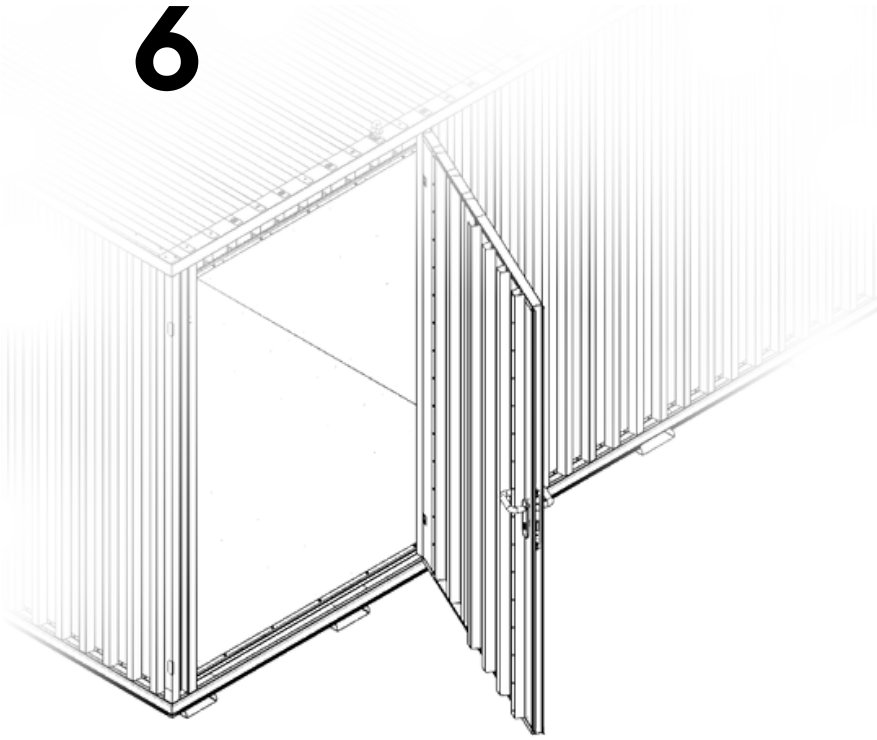
 594 KG	 1640 MM	Model Code: 60.110.450.320 Production Tracking Code: ...../X09.1.60.450.320 9001    14001    50001		
------------	-------------	---	--	--



# 5



6



7

