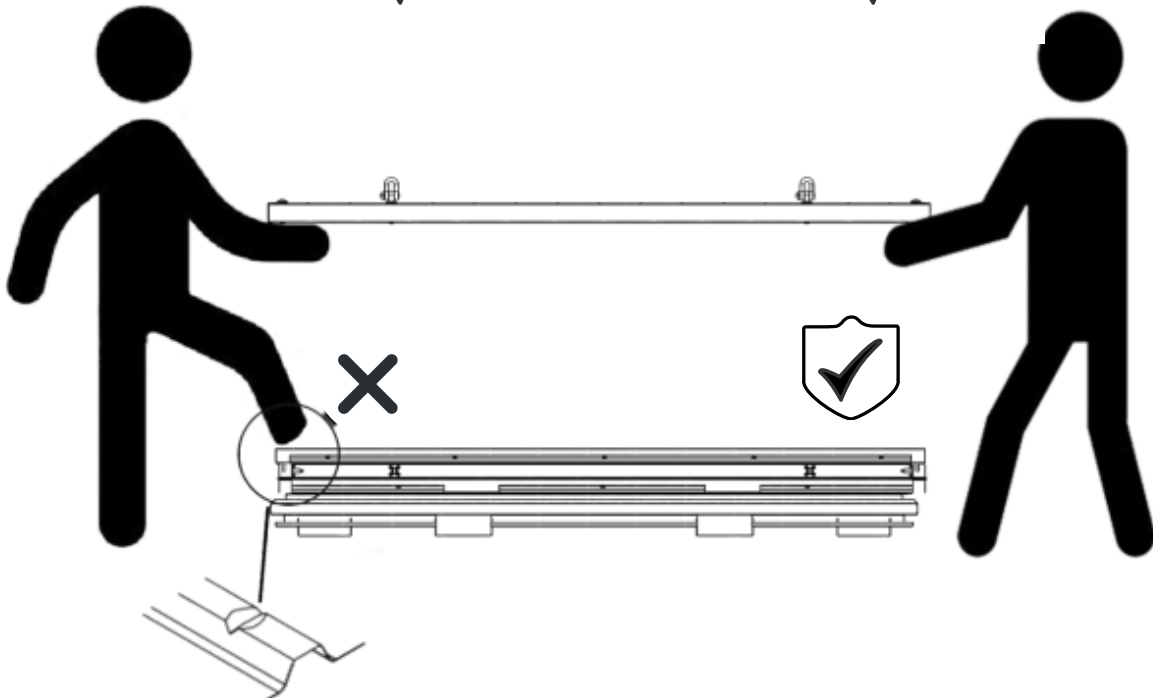
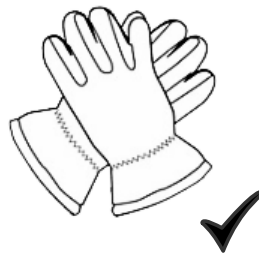
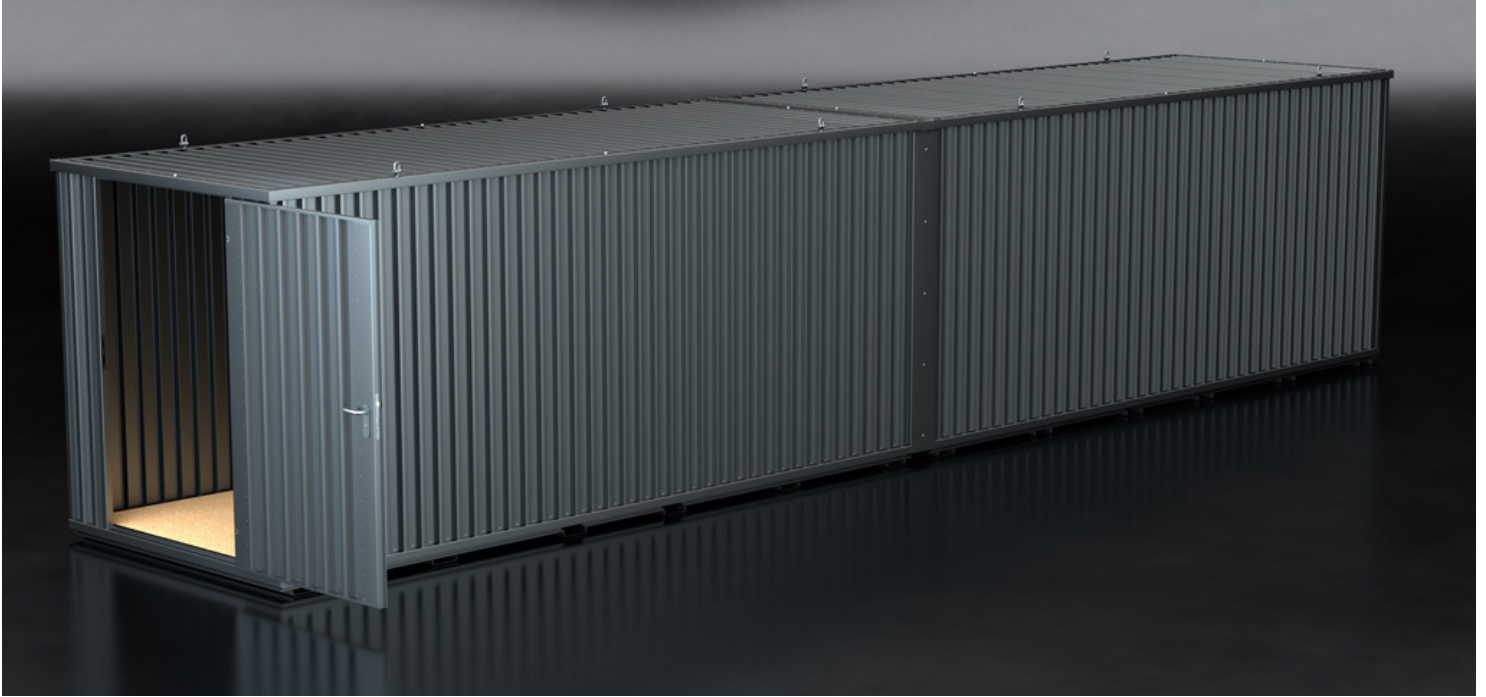


PRODUCT CODE:5050.110.320.321

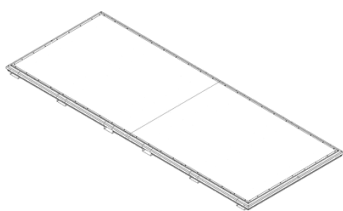
prefabase
Quick Build Solutions

Instructions and User Guide



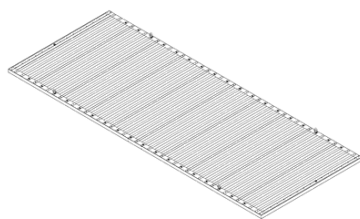
50.0110

2x



50.0510

2x



306.0110

1x



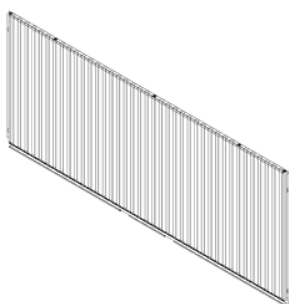
306.0510

1x



50.0410

4x



0320

2x



306.40.05

2x



306.40.04

2x

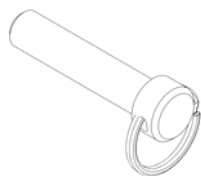


61.101

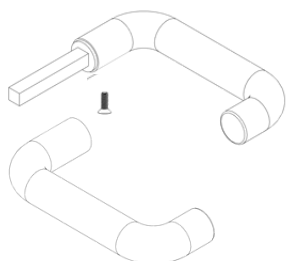
4x



24x



2x



10x



10x



10x



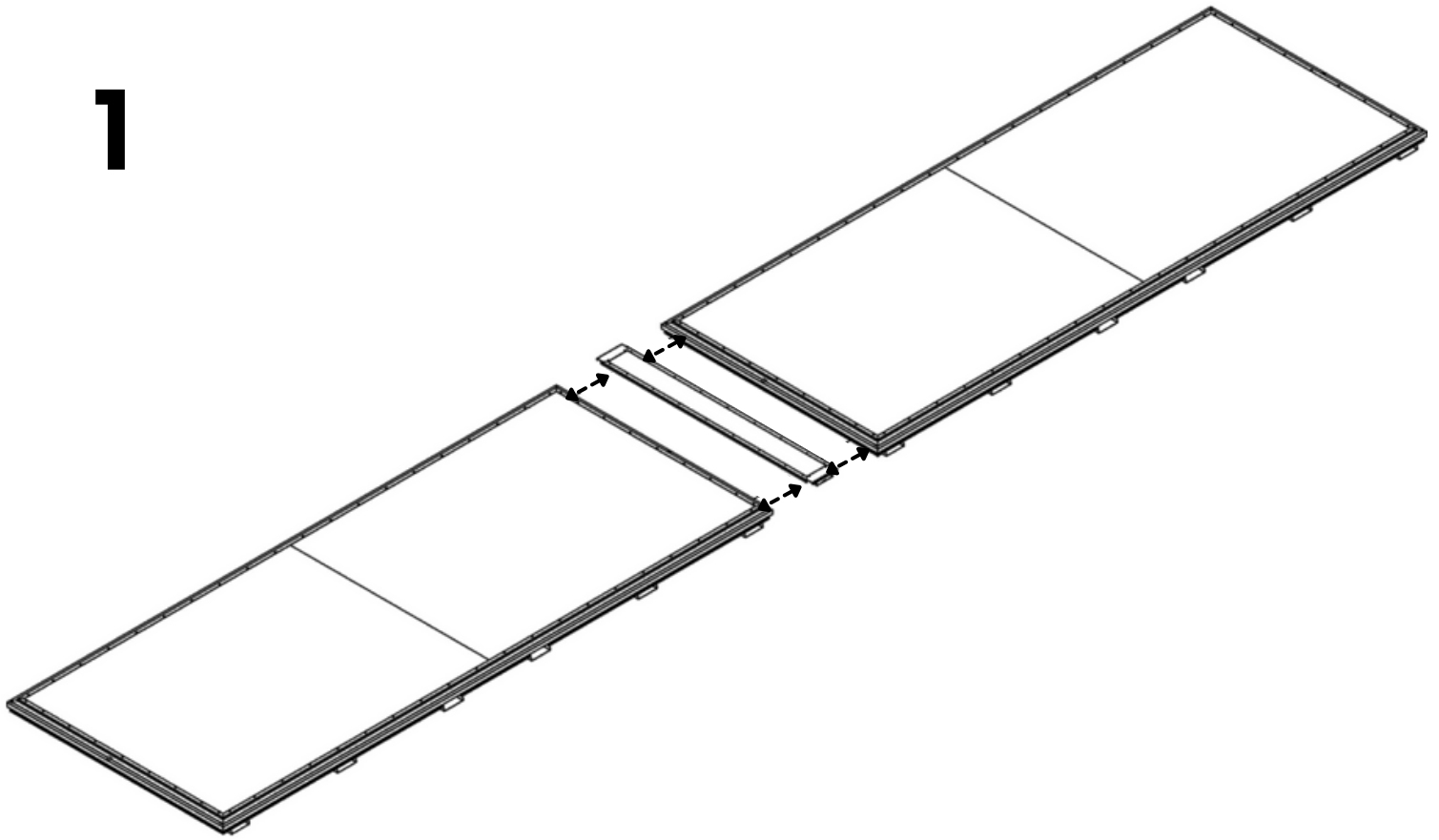
1x



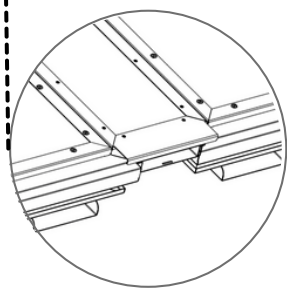
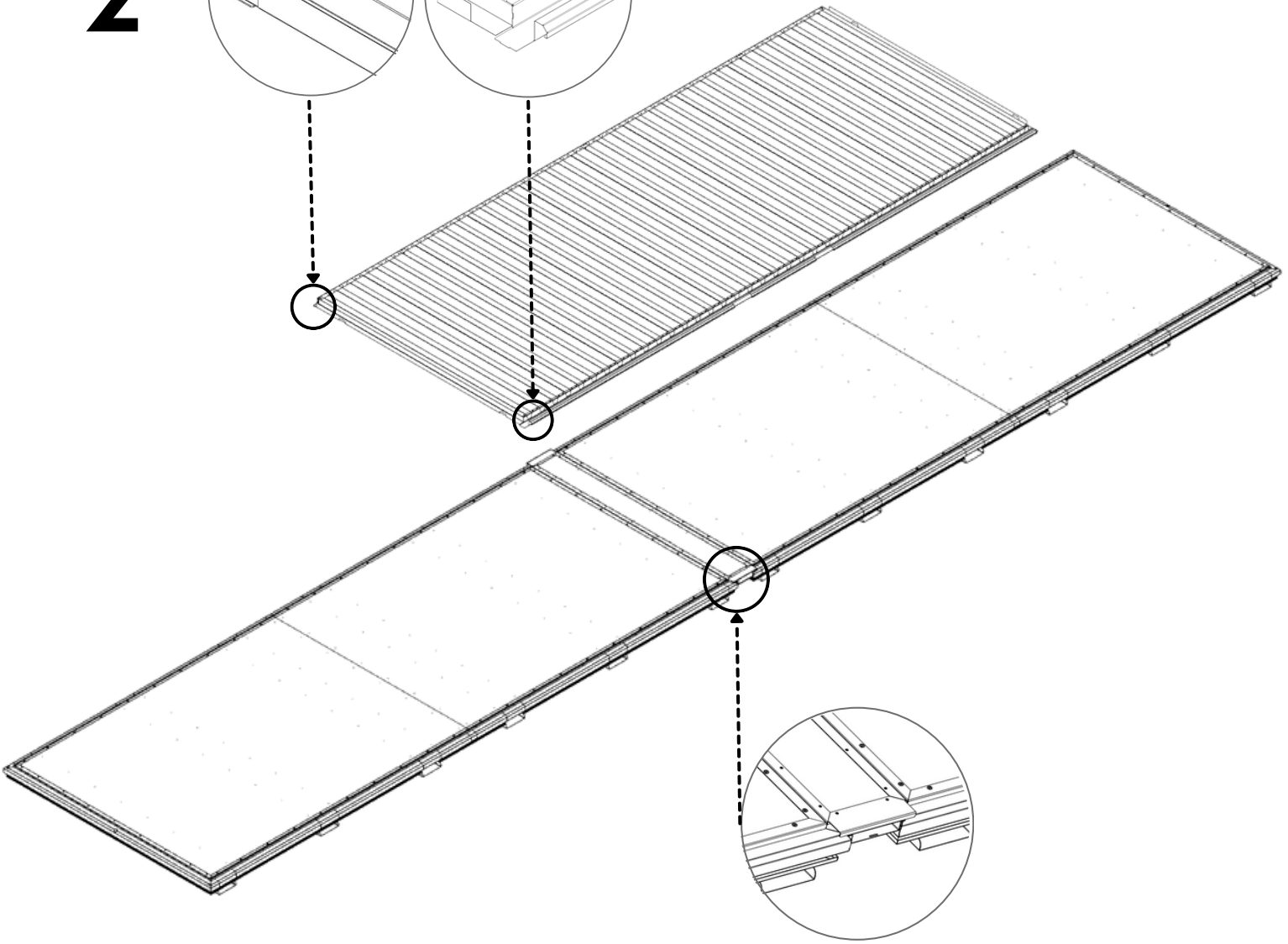
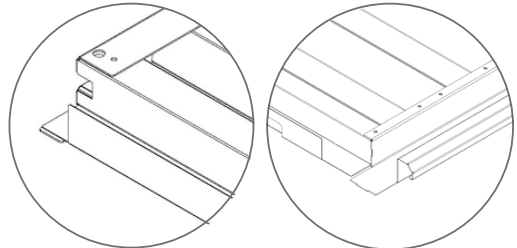
2x

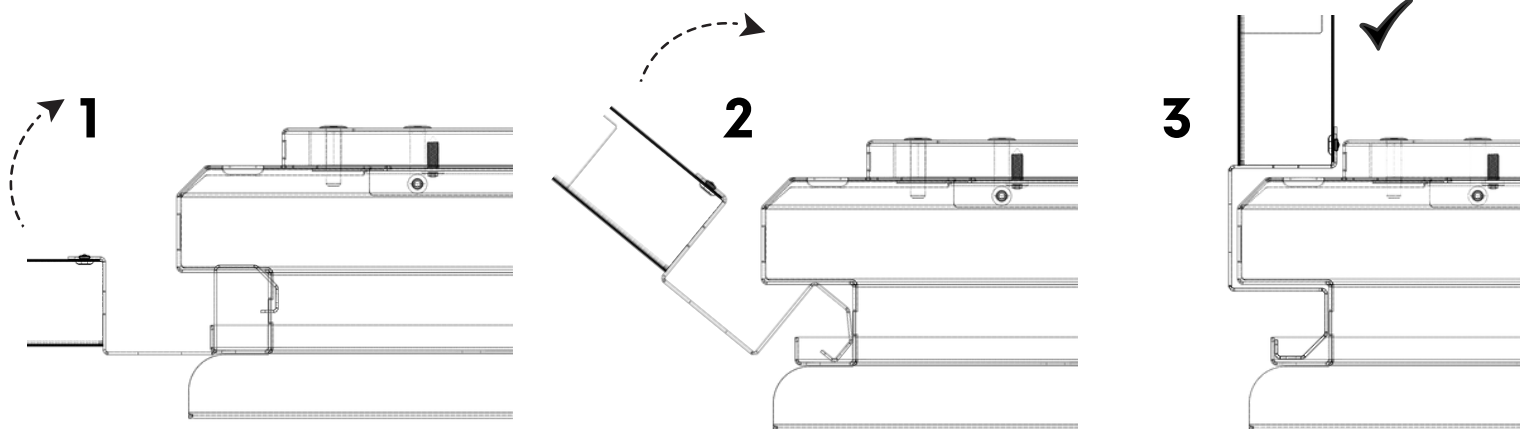


1

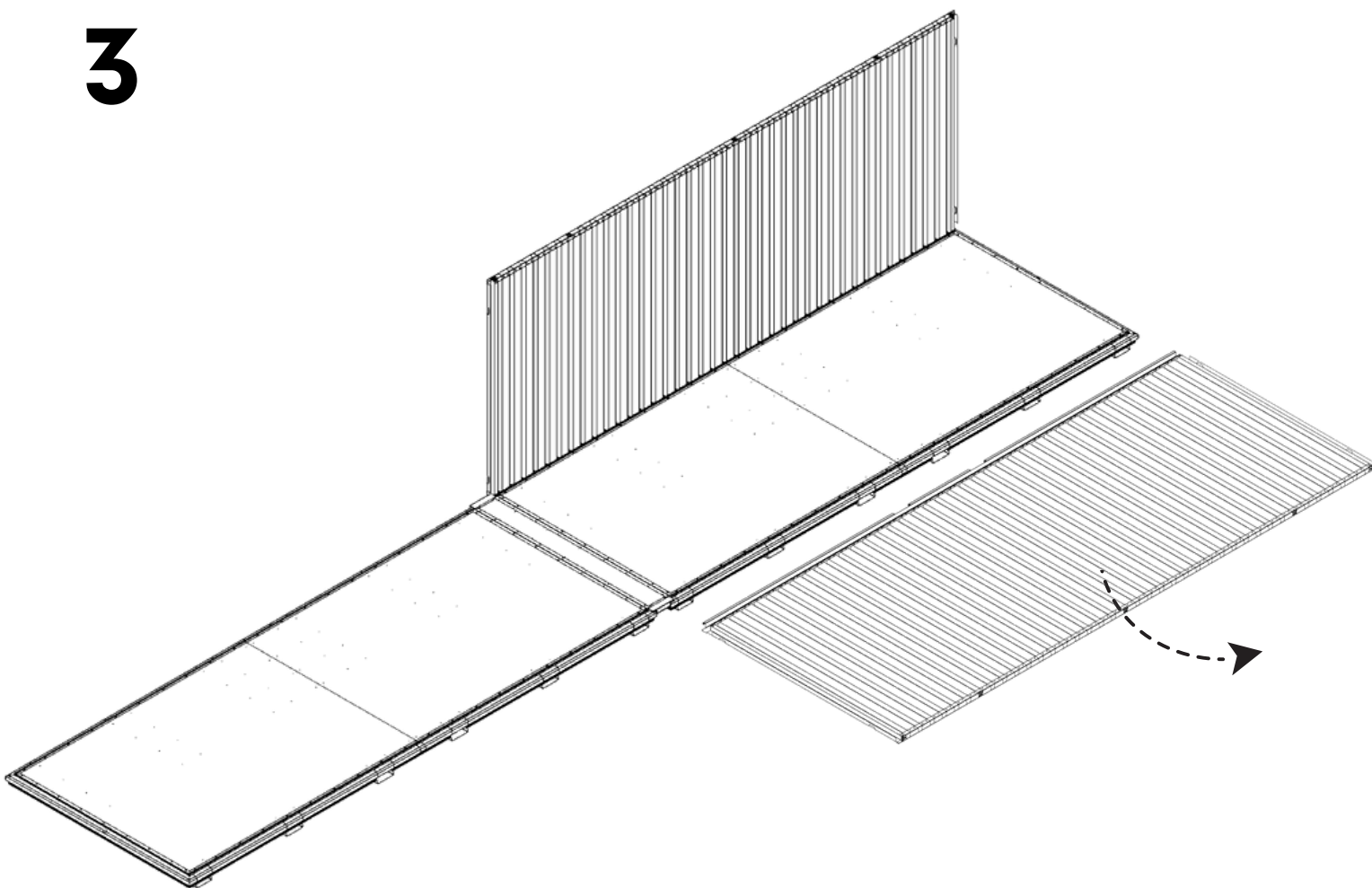


2

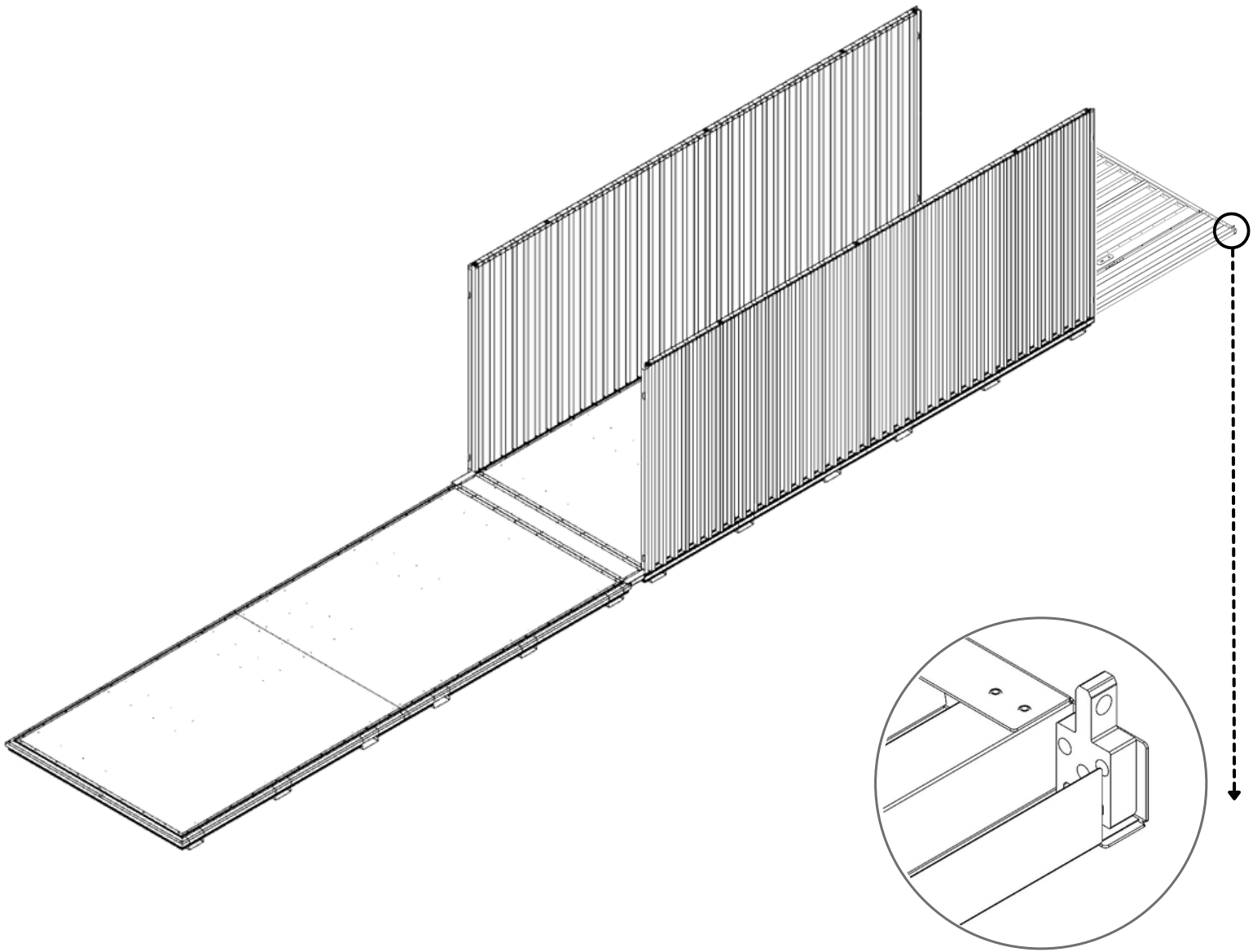




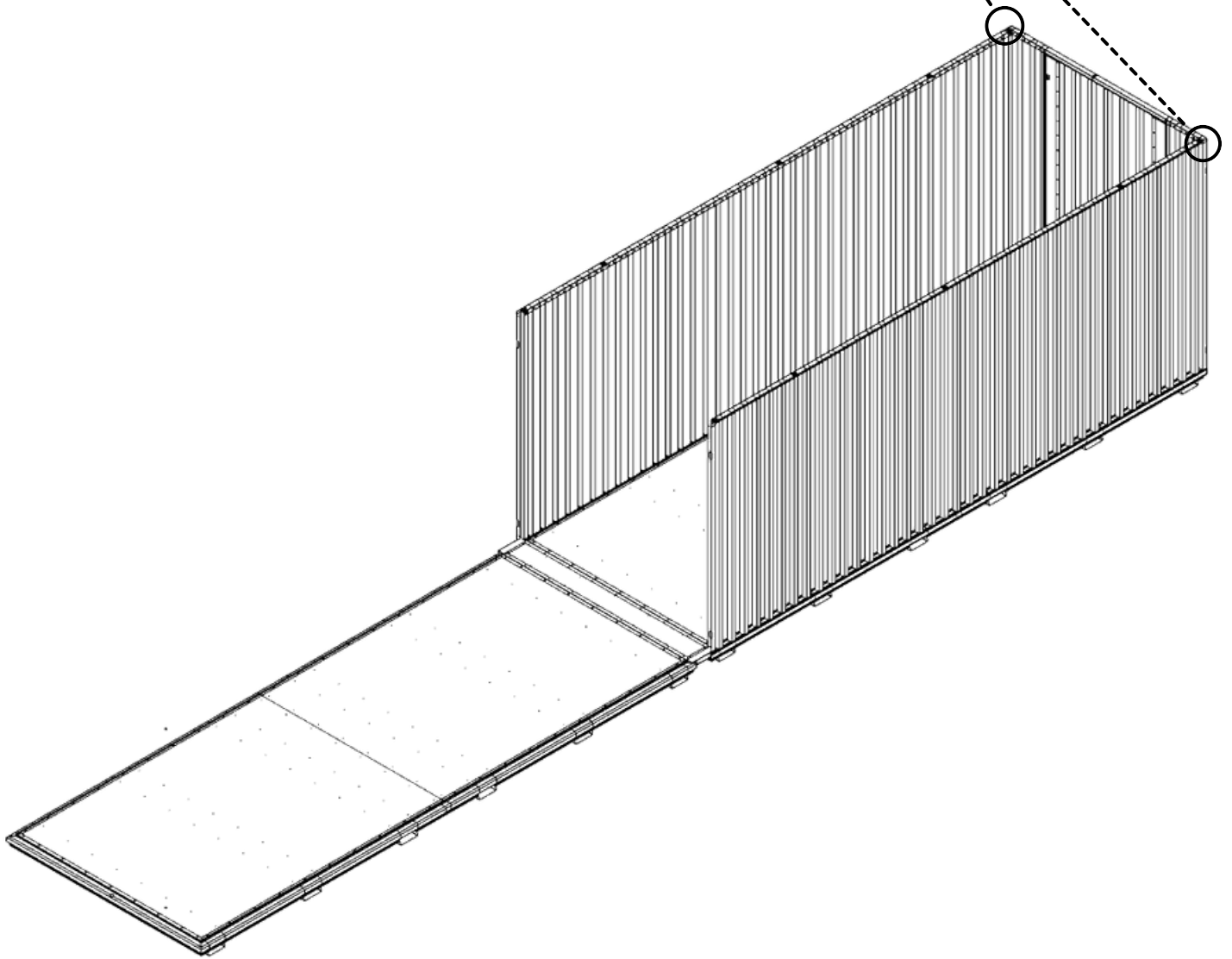
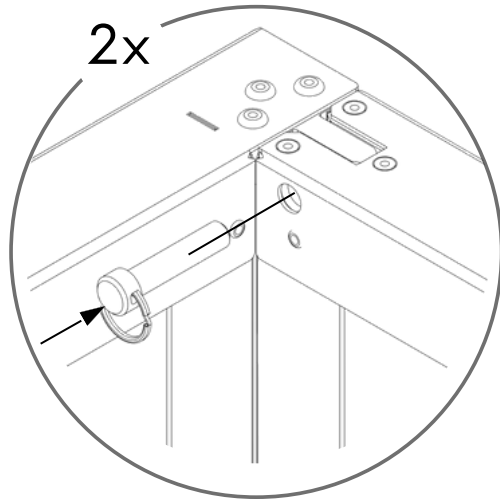
3



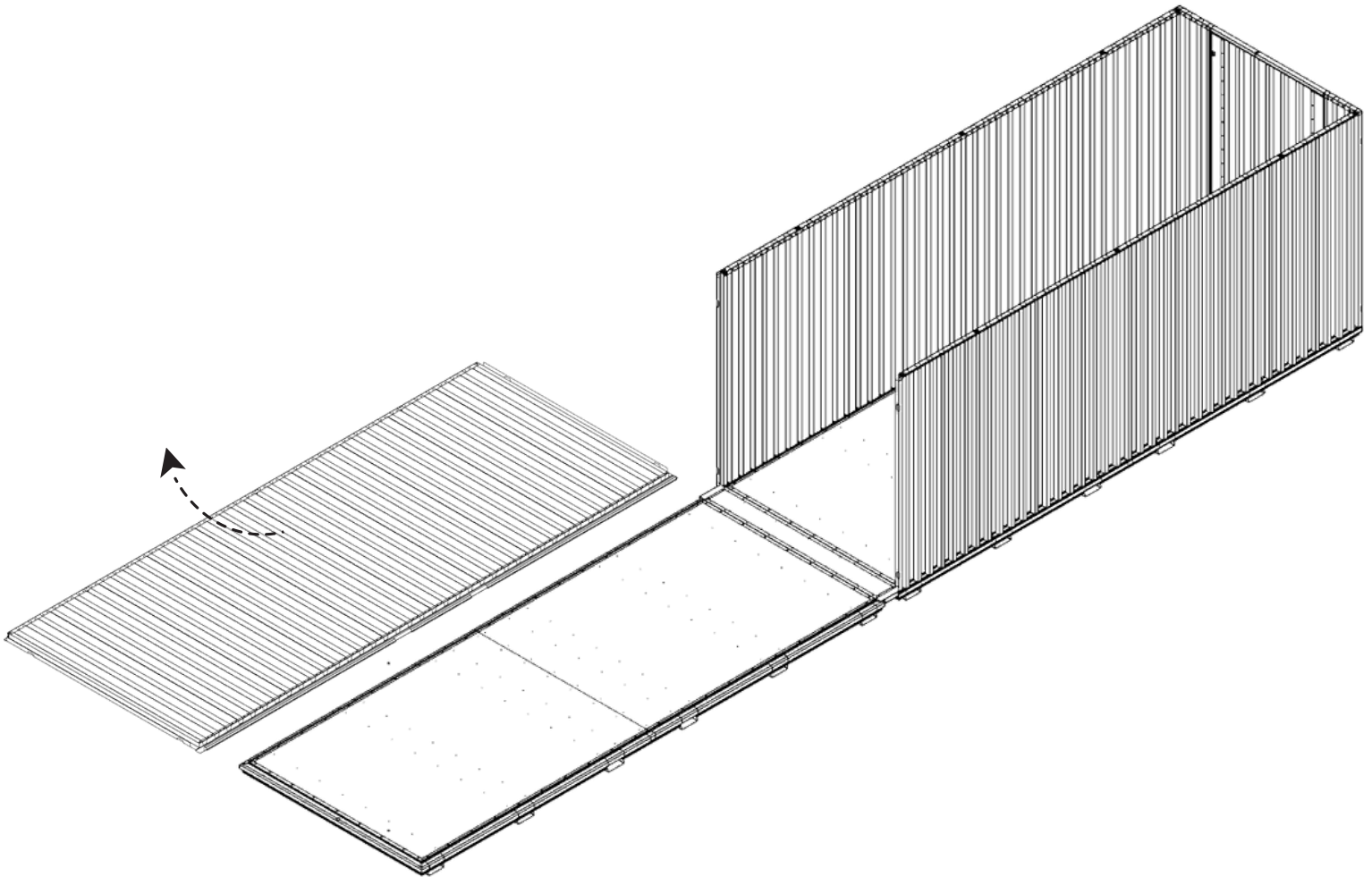
4



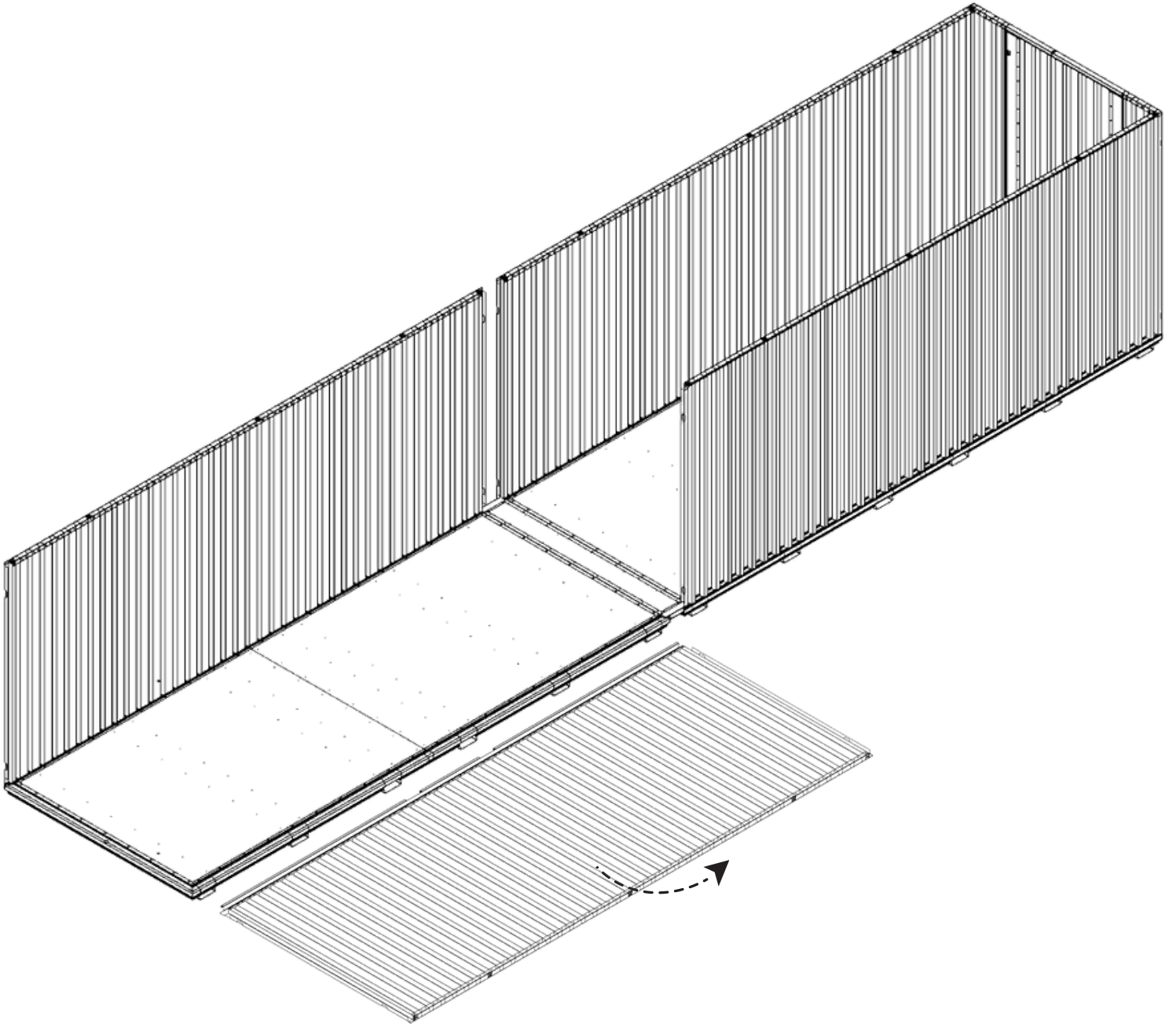
4.1



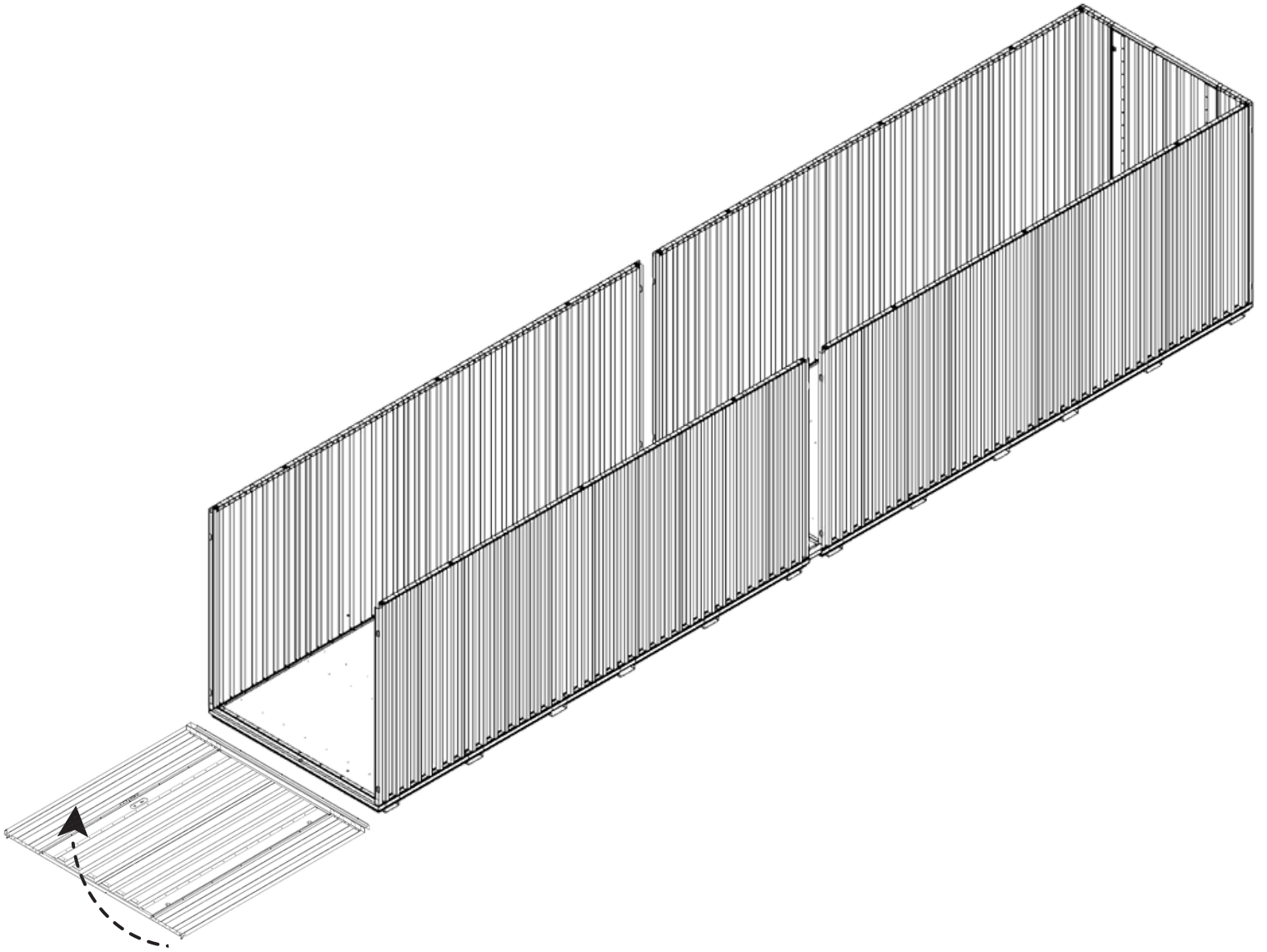
5



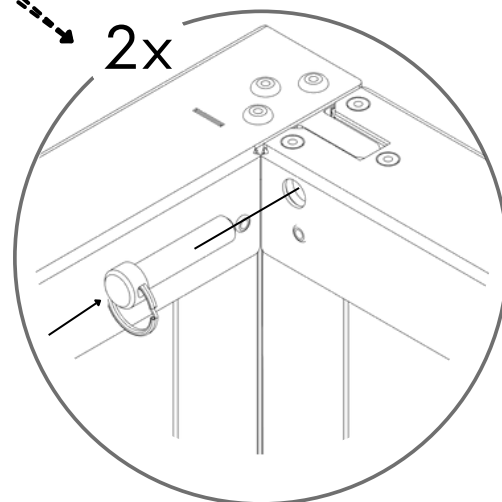
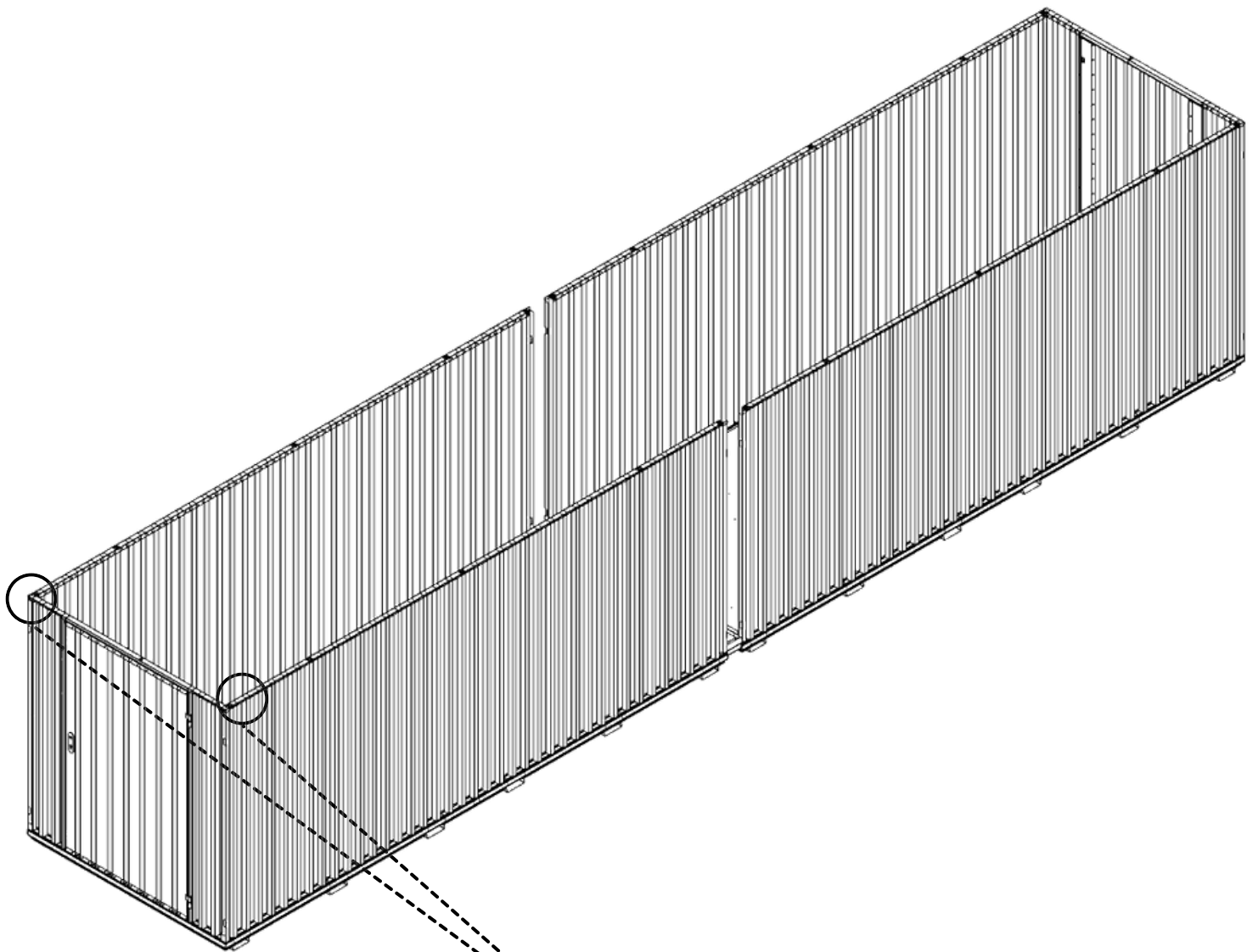
6



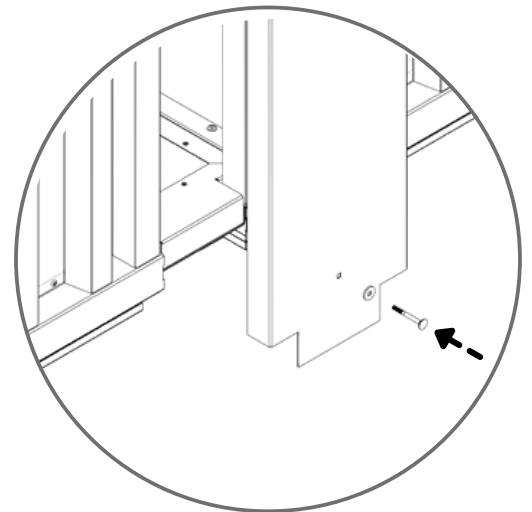
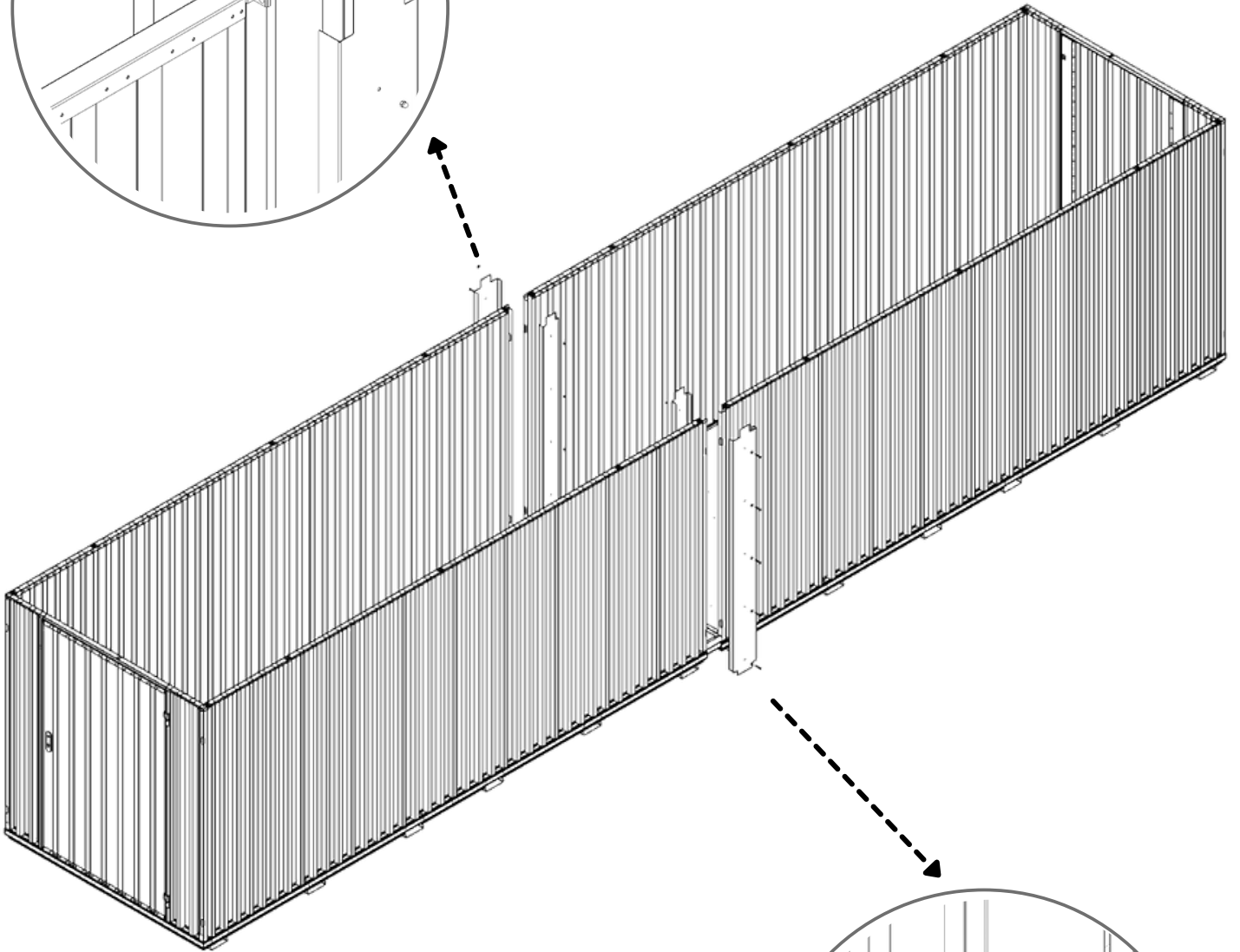
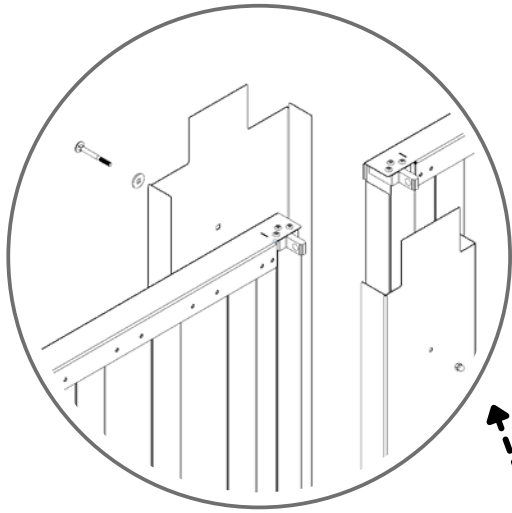
7



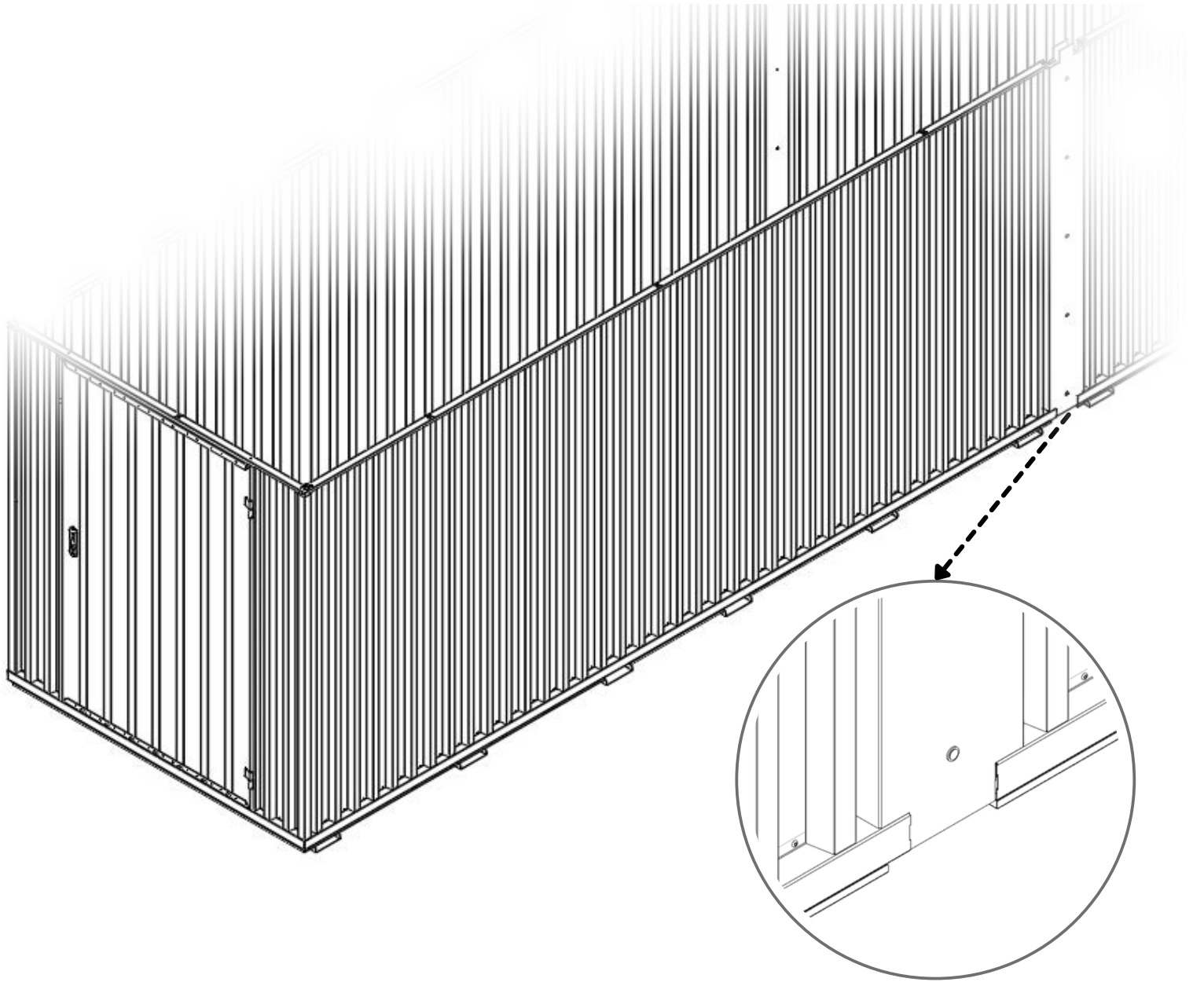
7.1



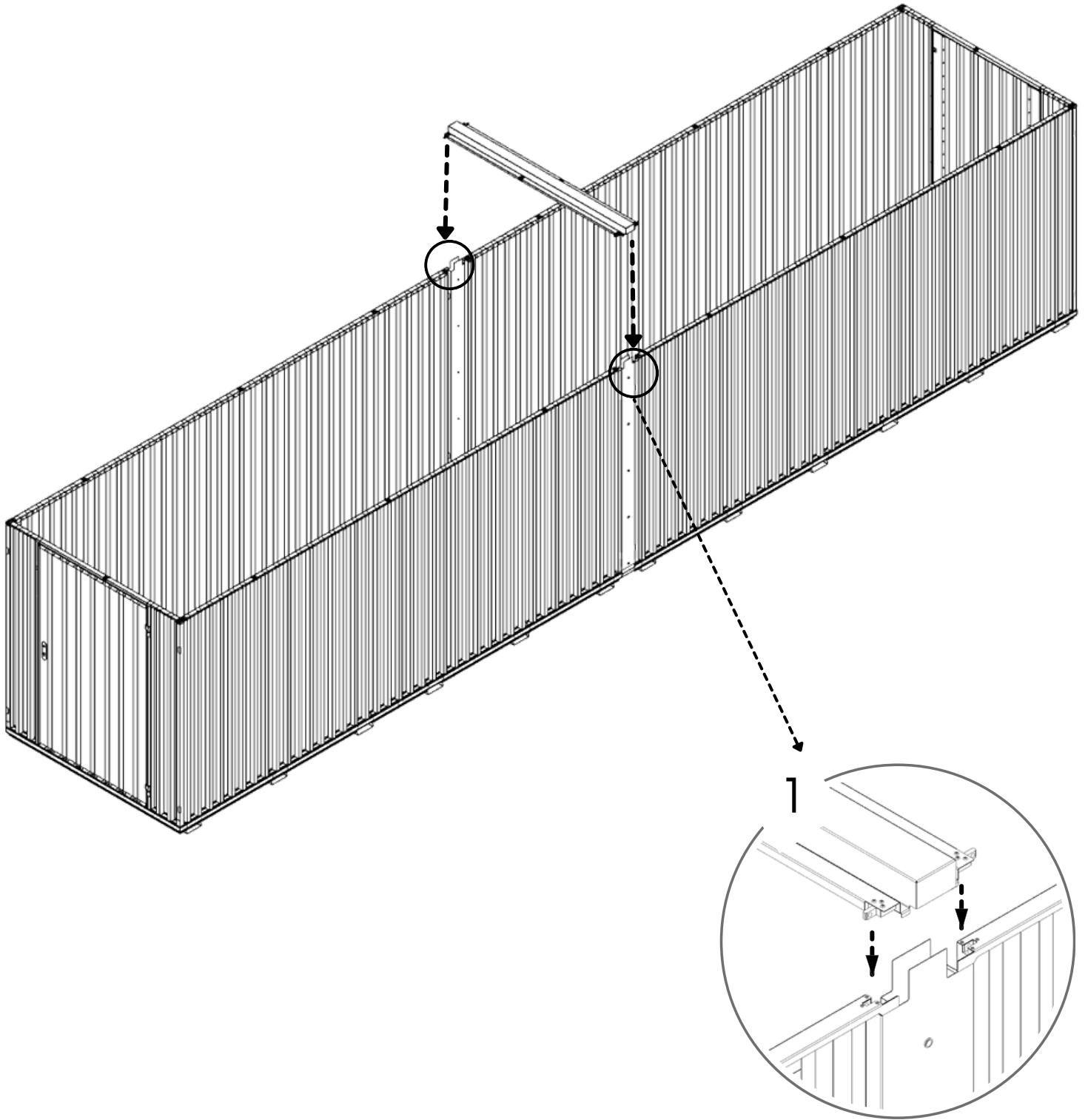
8



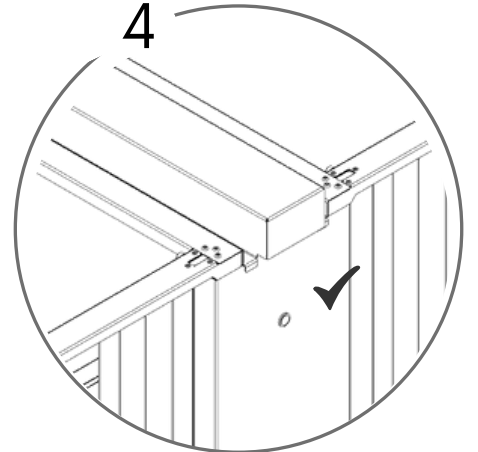
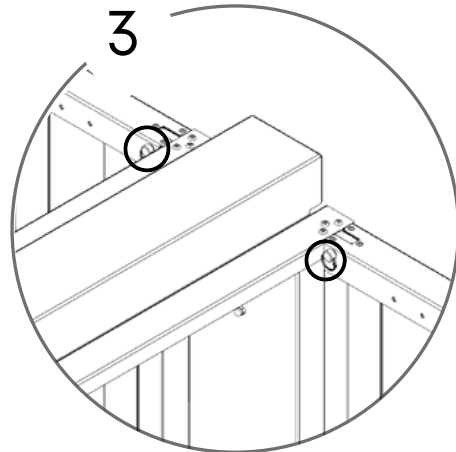
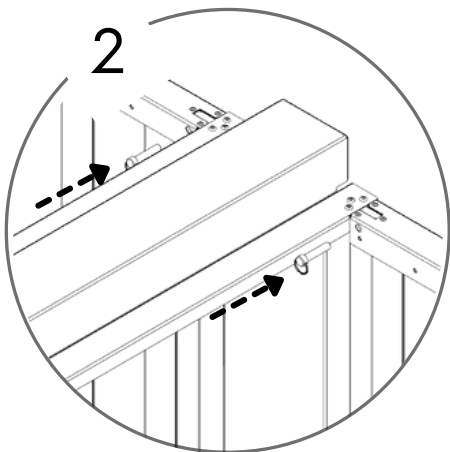
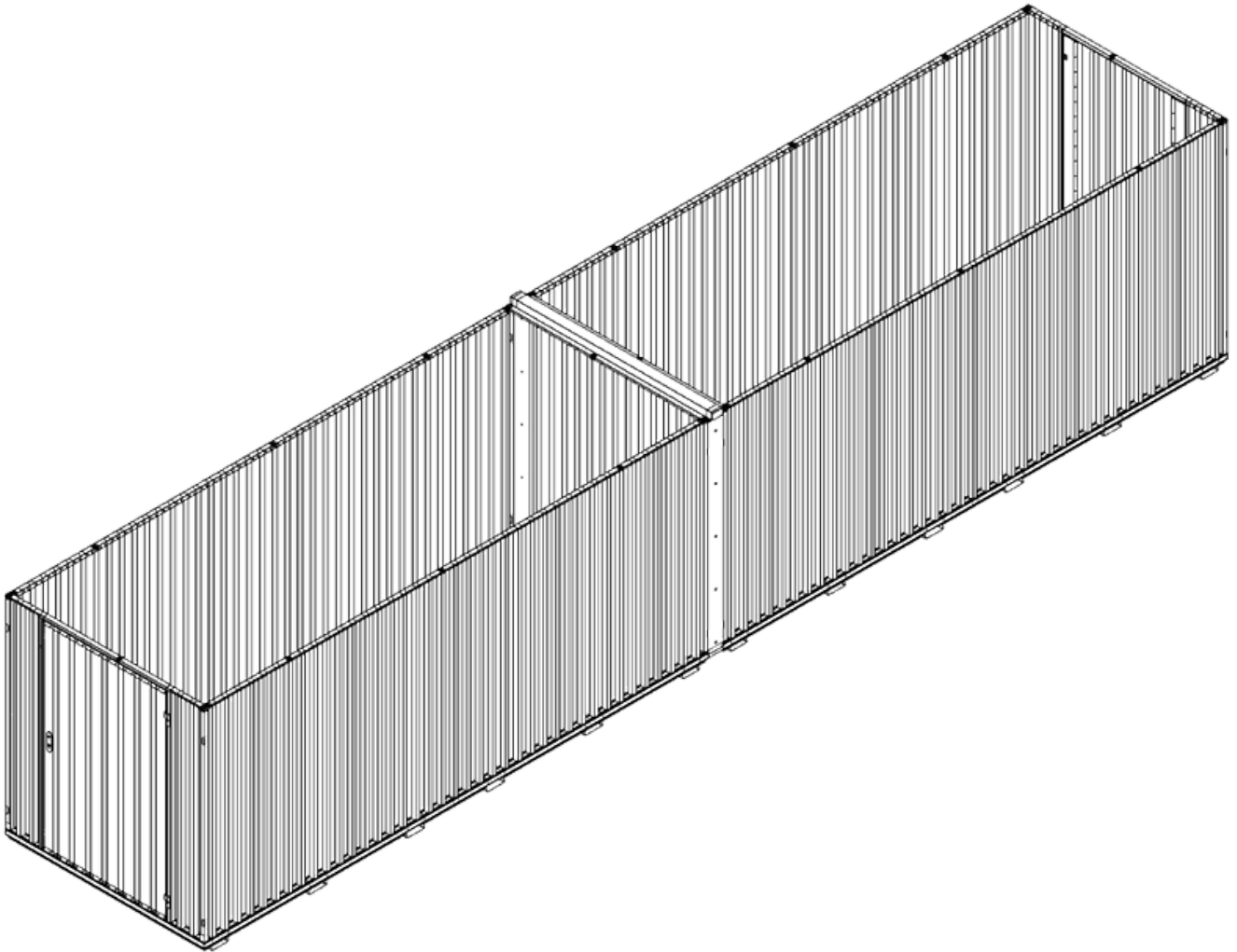
9











10

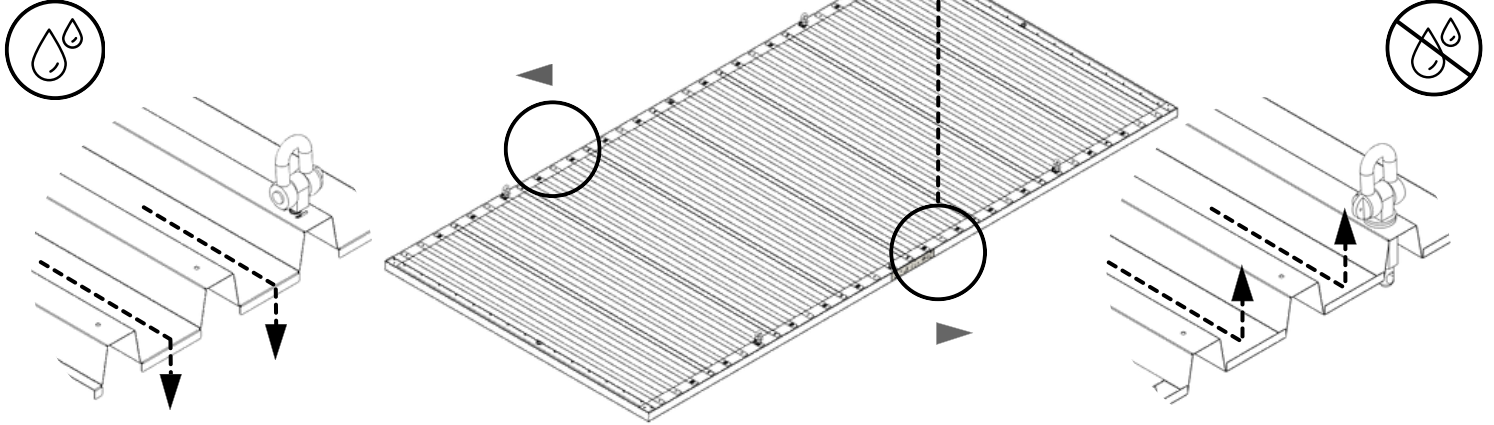


11

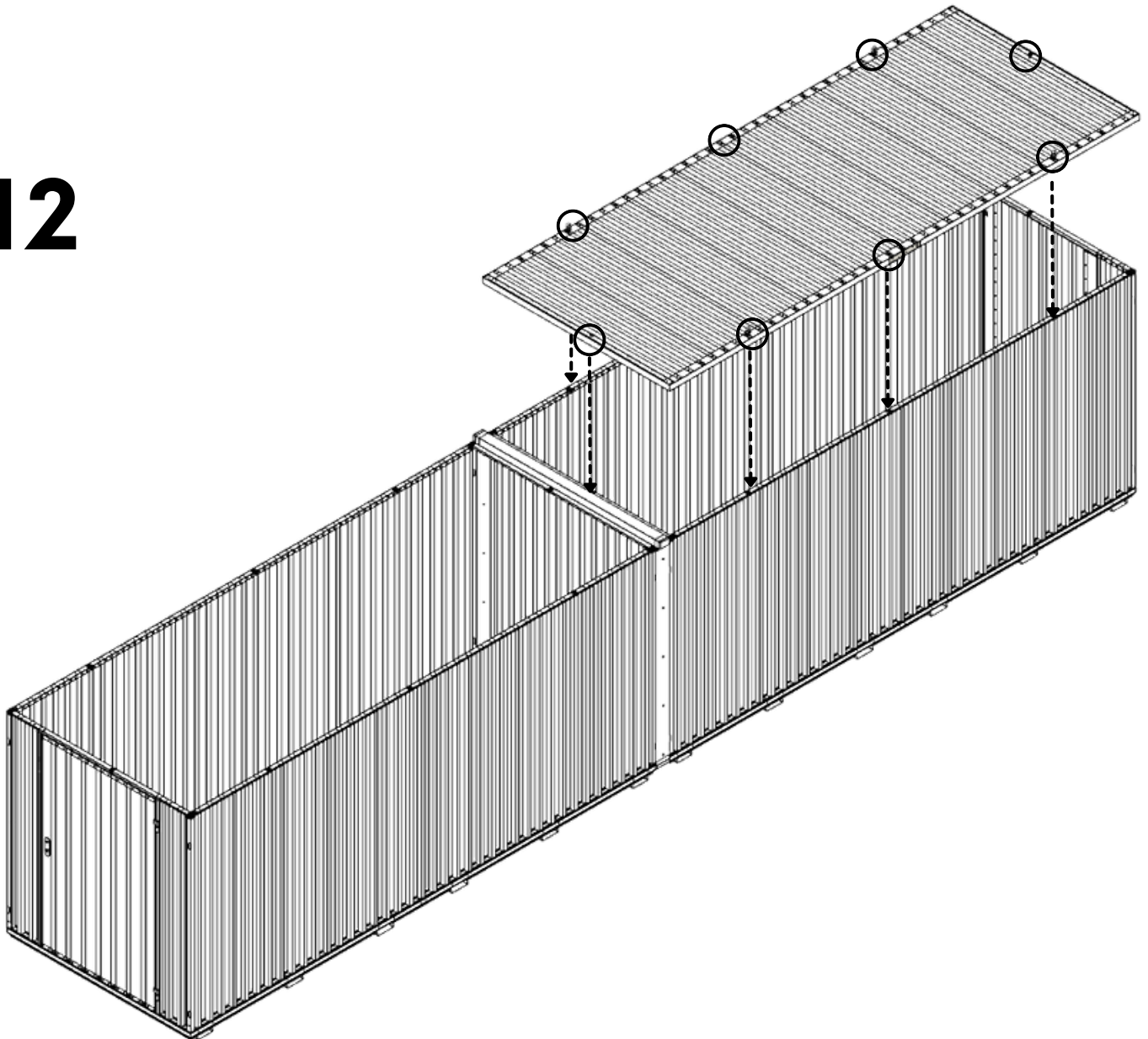




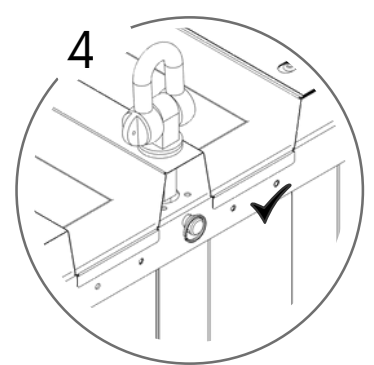
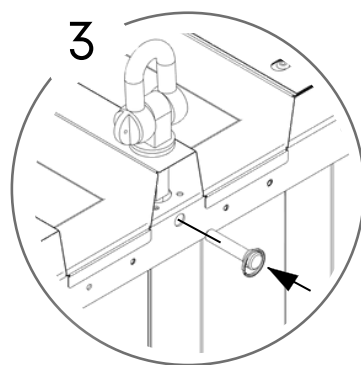
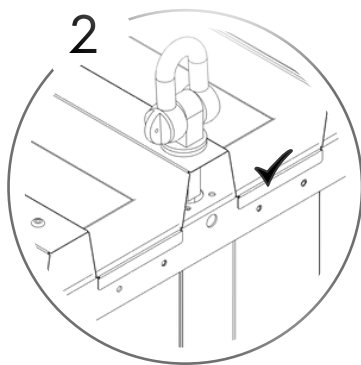
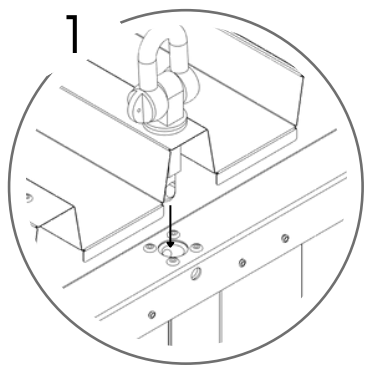
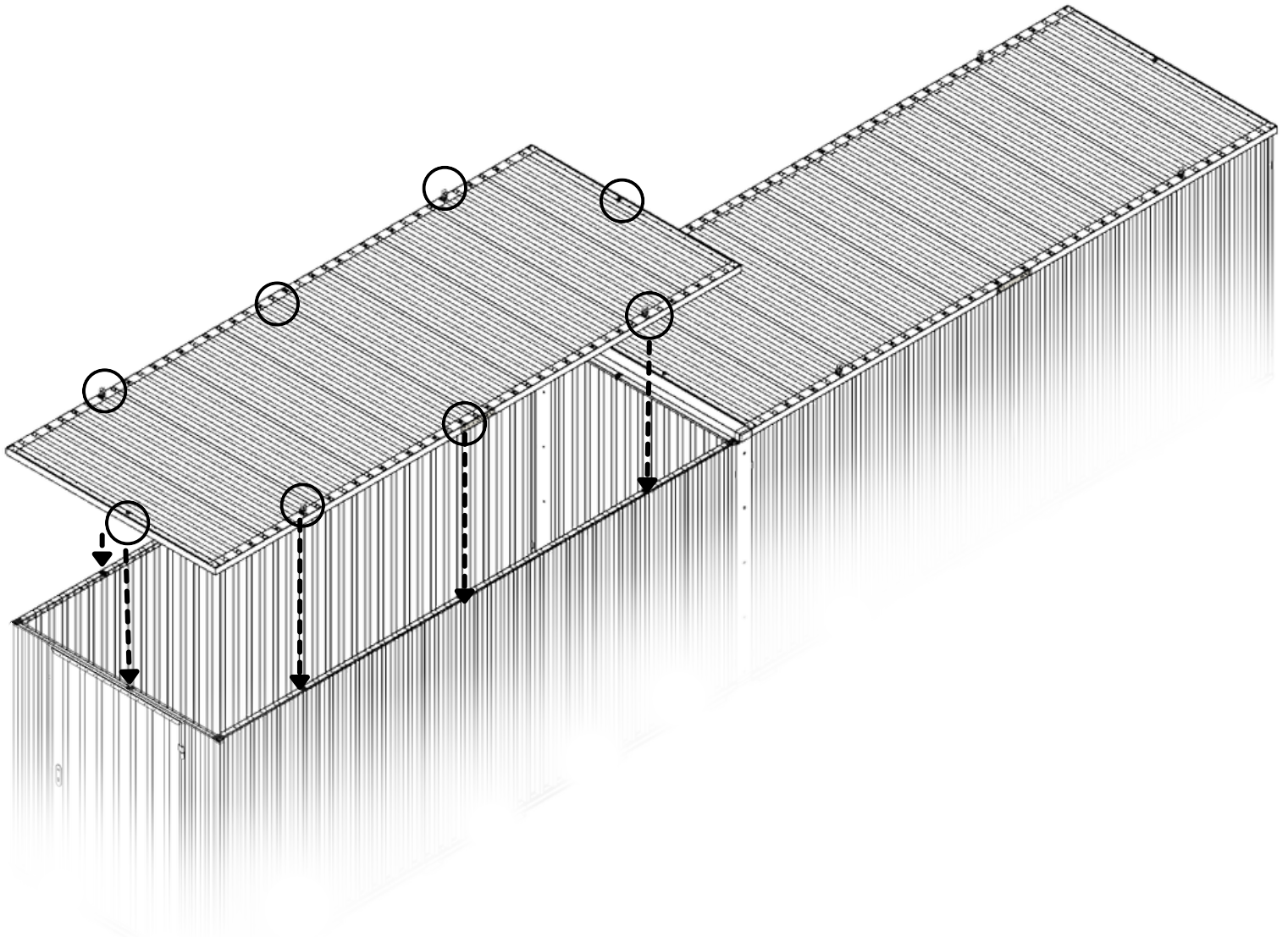
 955 KG	 1640 MM	Model Code: 5050.110.320.321 Production Tracking Code:/X09.1.5050.320.321    9001 14001 50001	 	
---	--	--	---	---



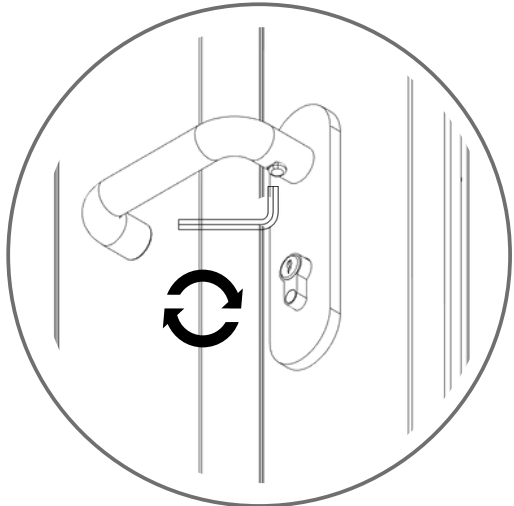
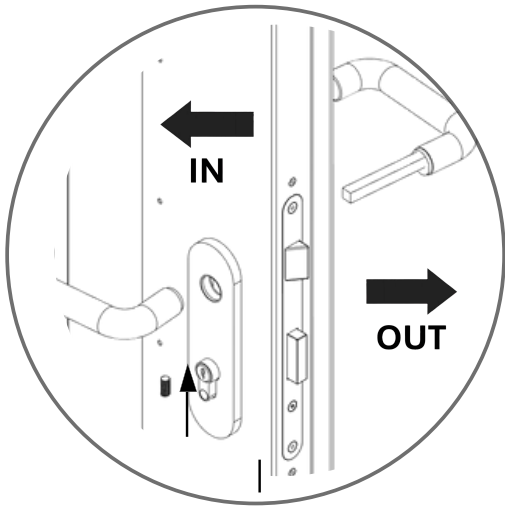
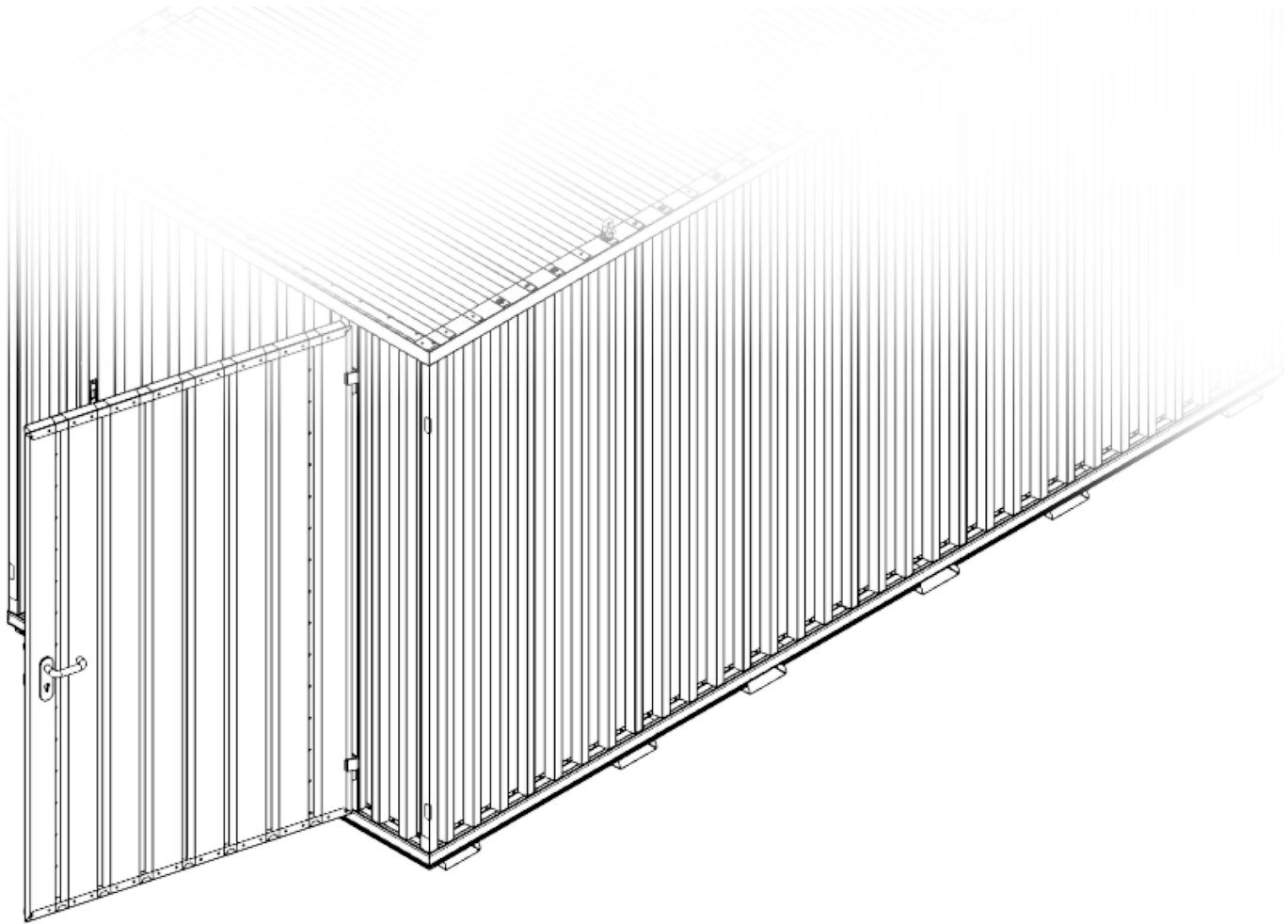
12



13



14



15

