



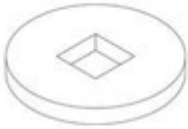

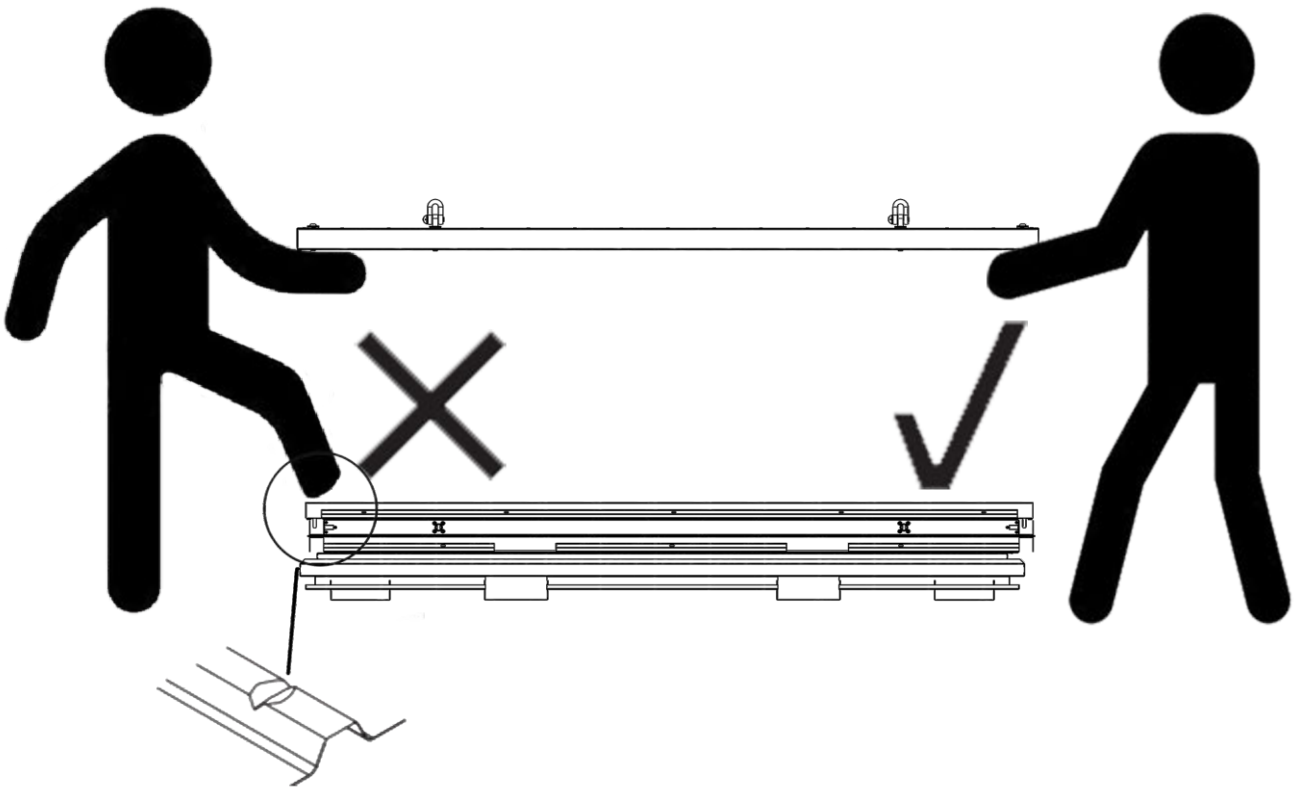
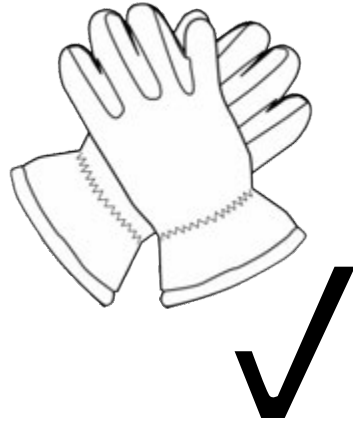


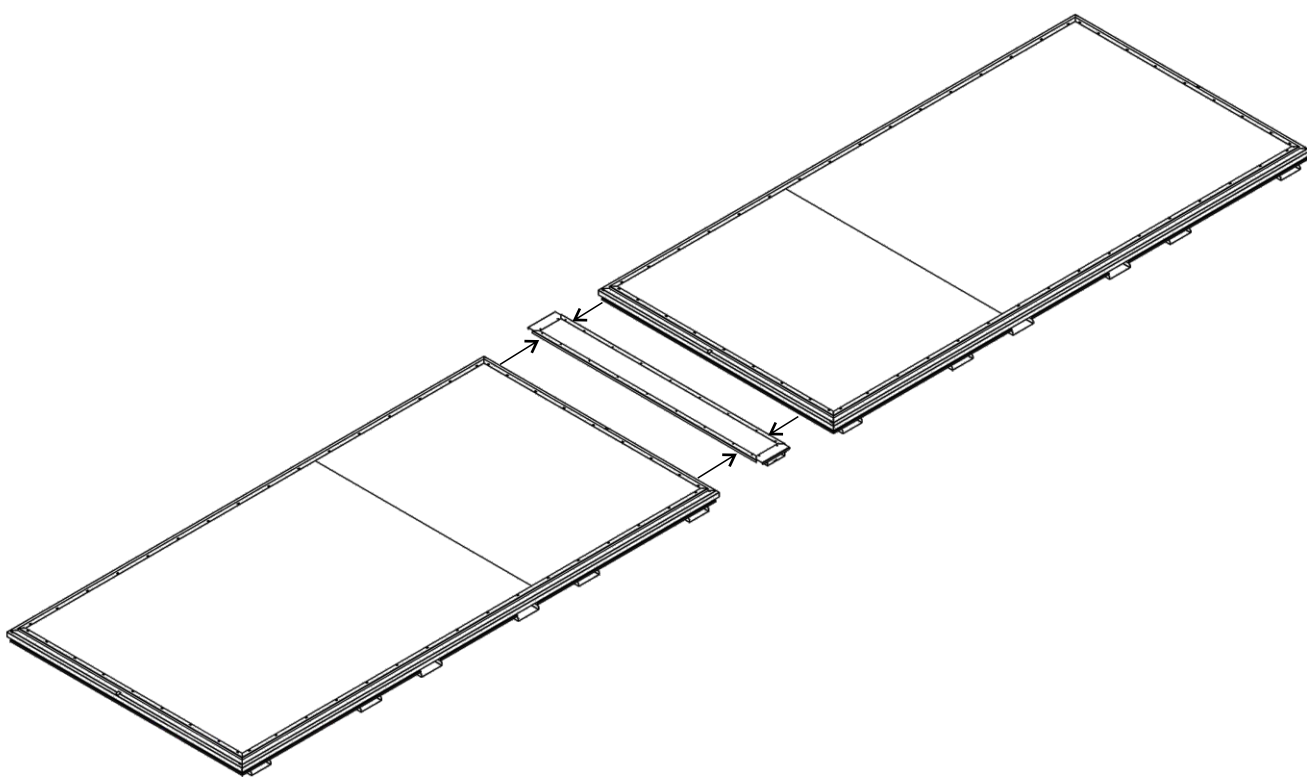
PRODUCT CODE : 4040.110.450.330



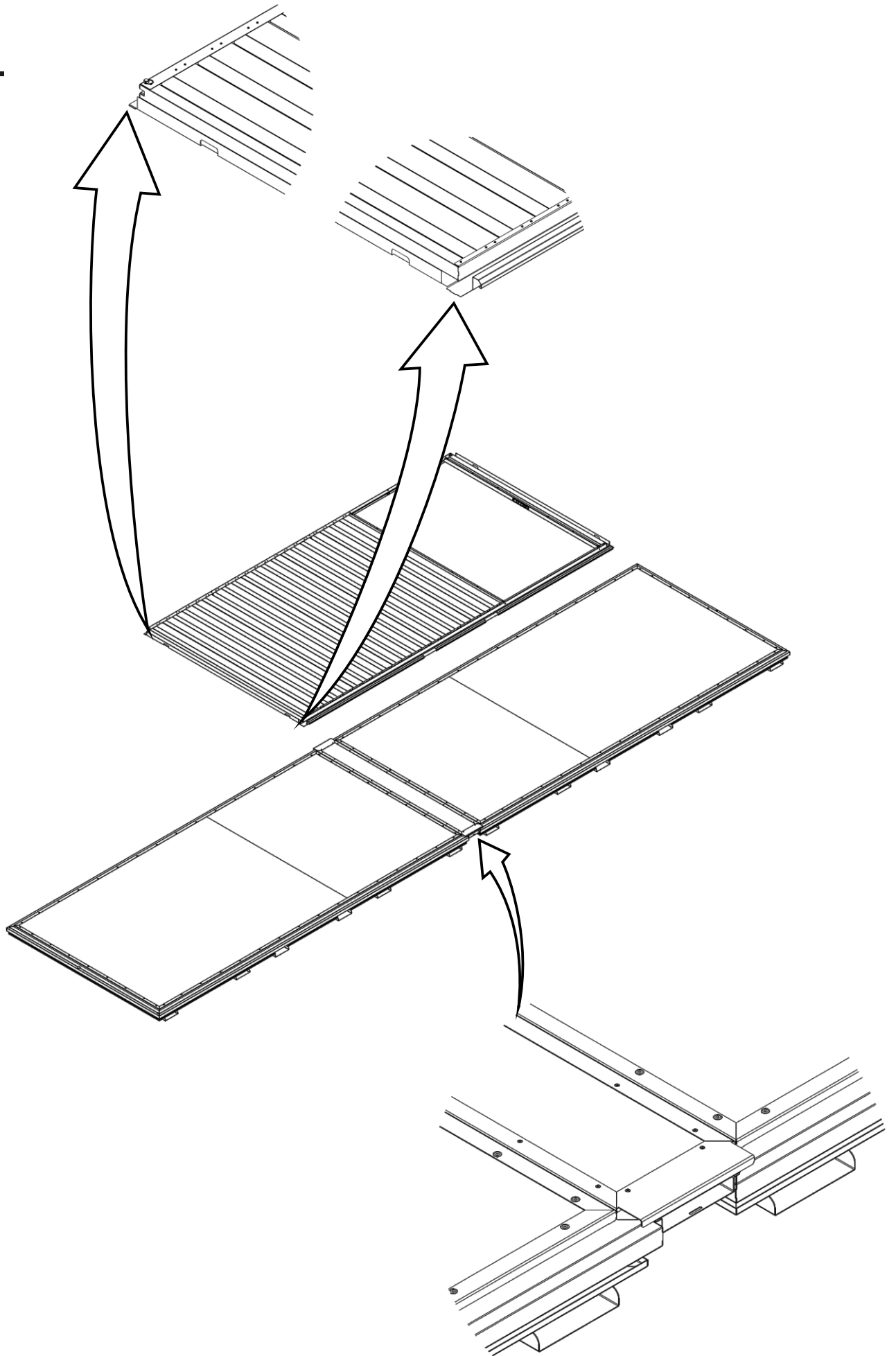
	24 pcs.
	2 pcs.
	2 pcs.
	10 pcs.
	10 pcs.
	10 pcs.



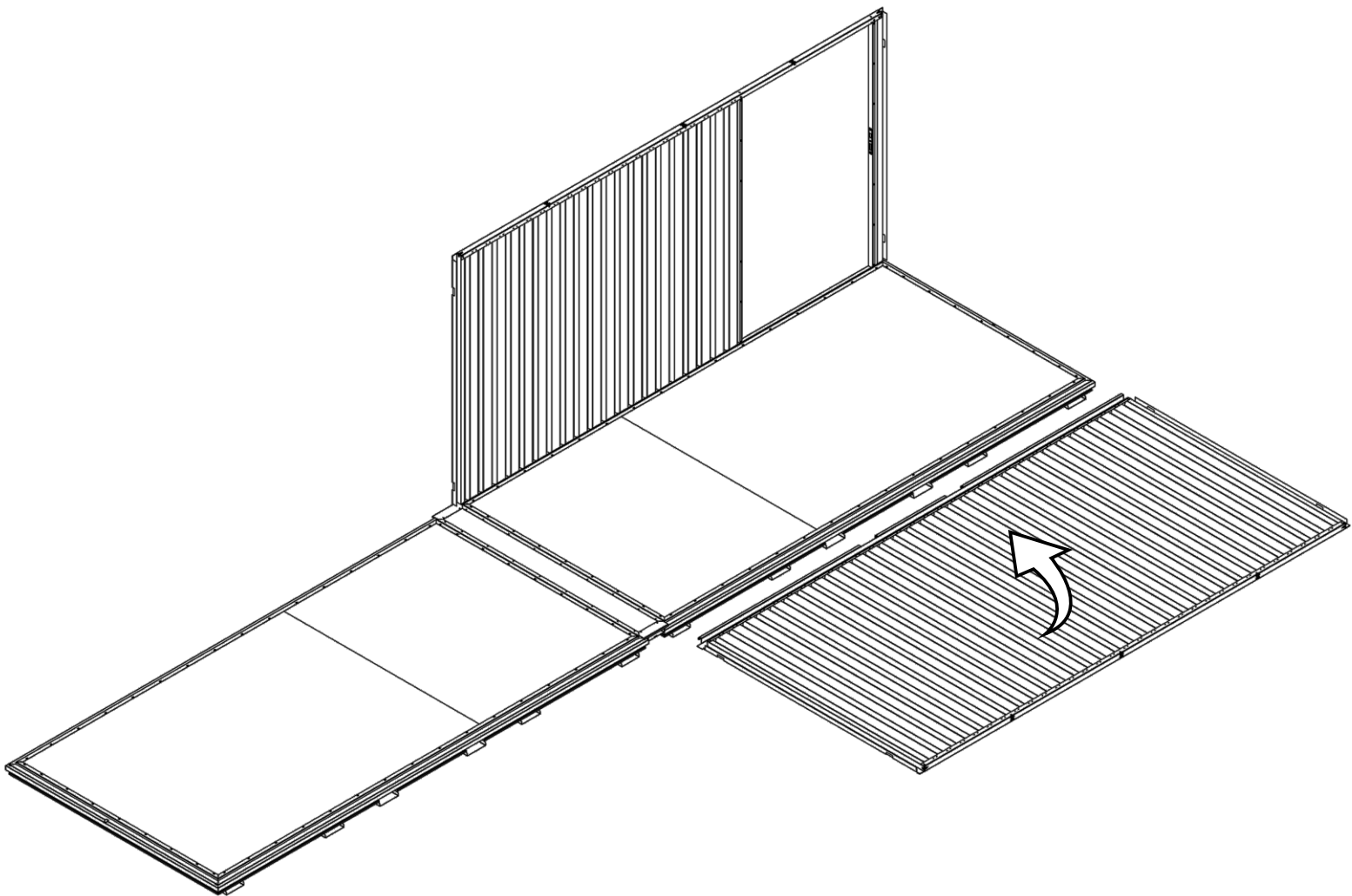
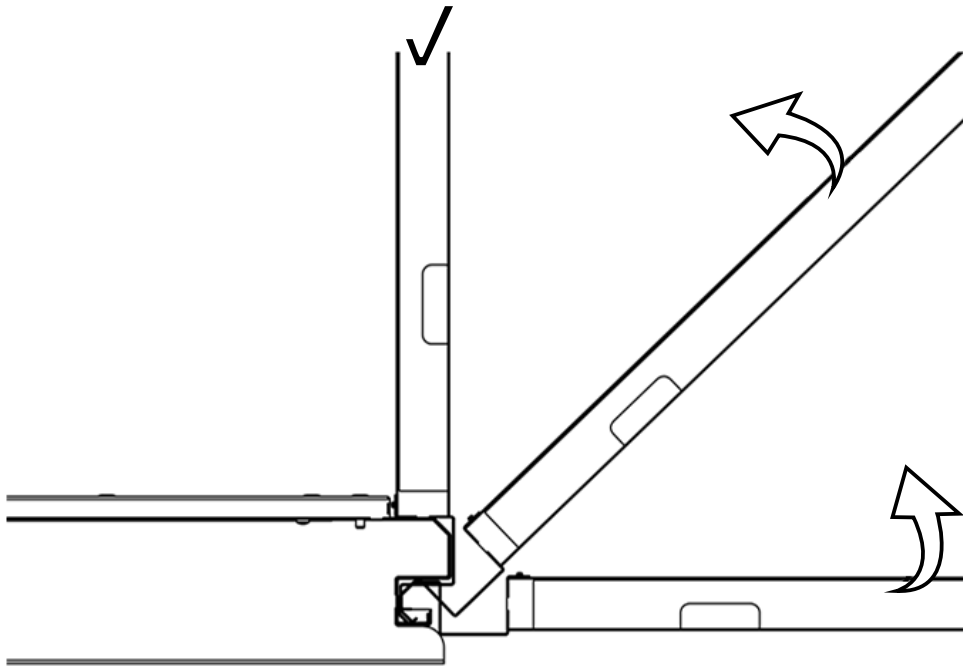
1.1.



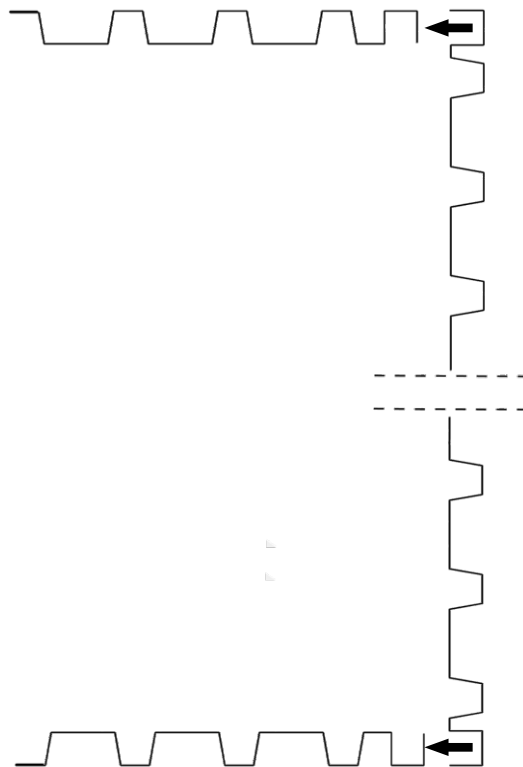
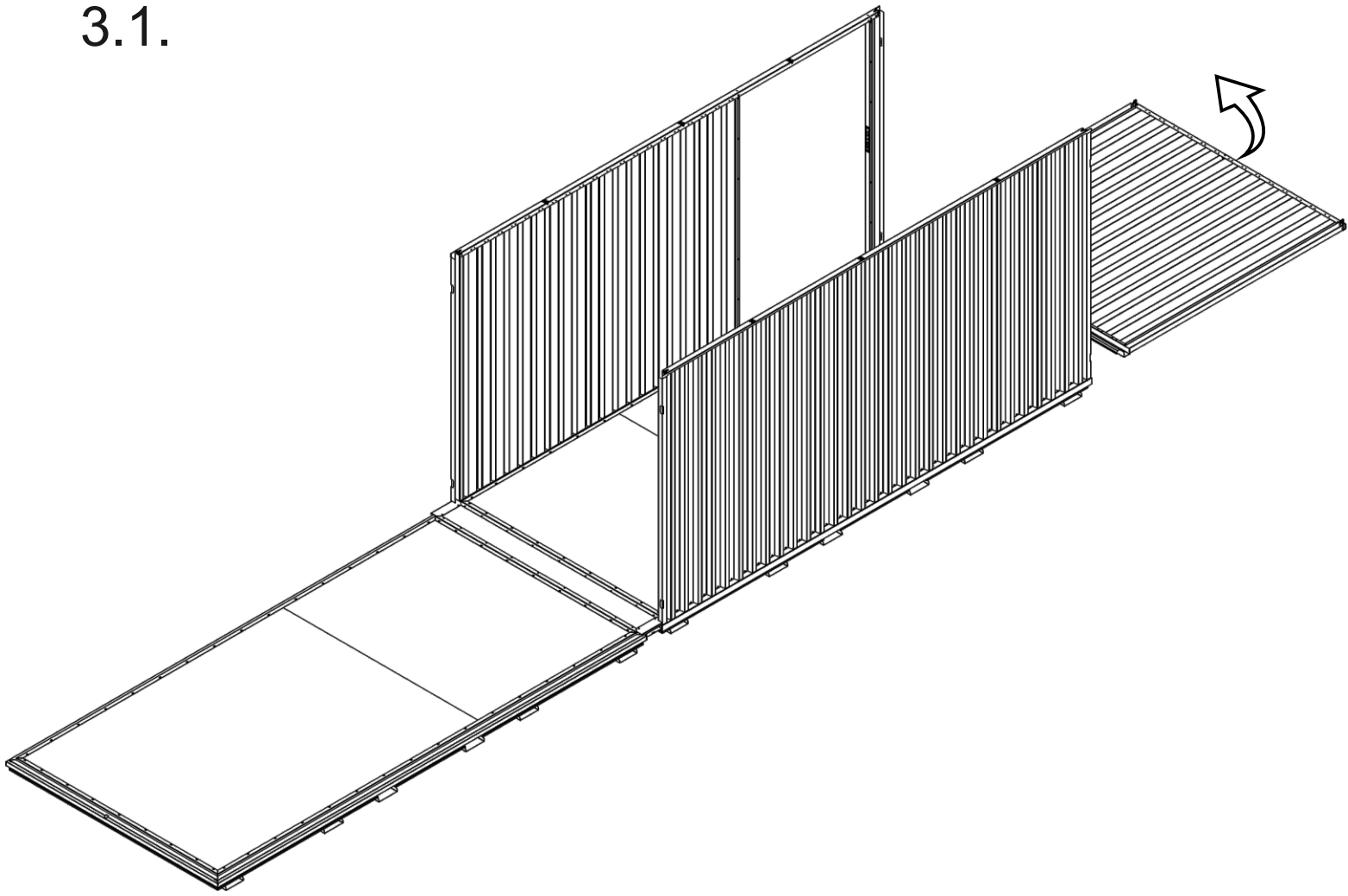
1.2.



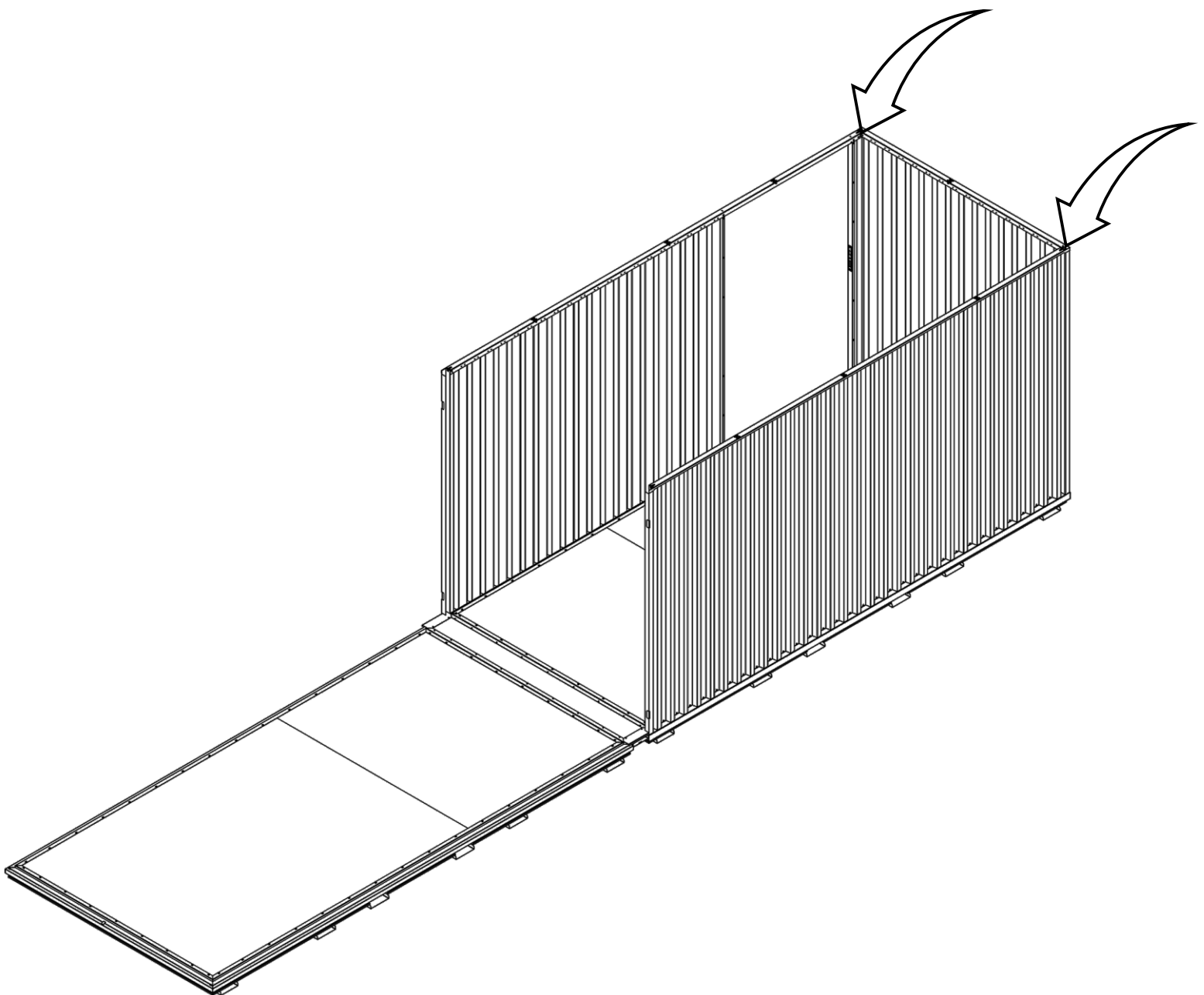
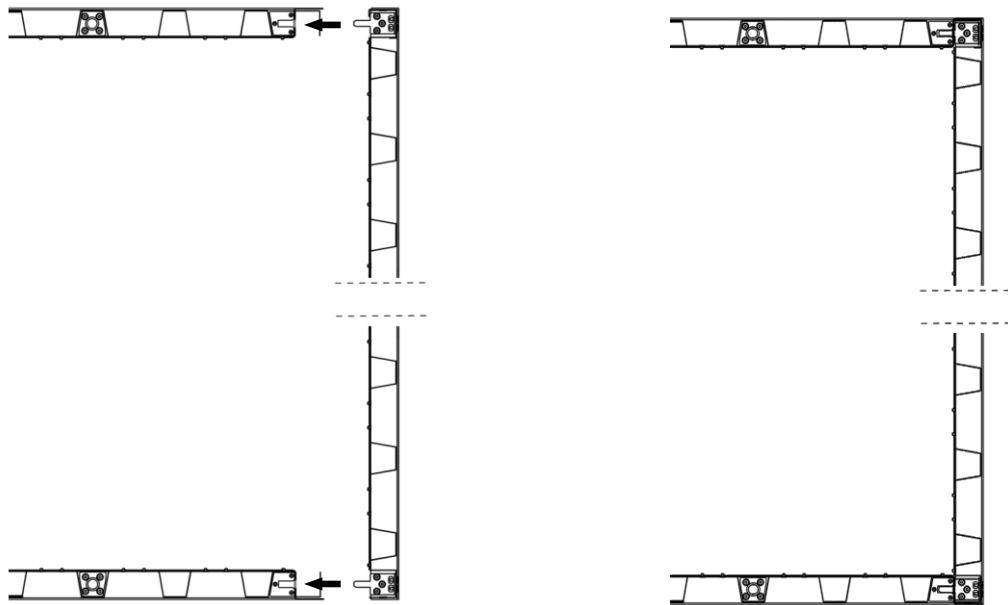
2.1.



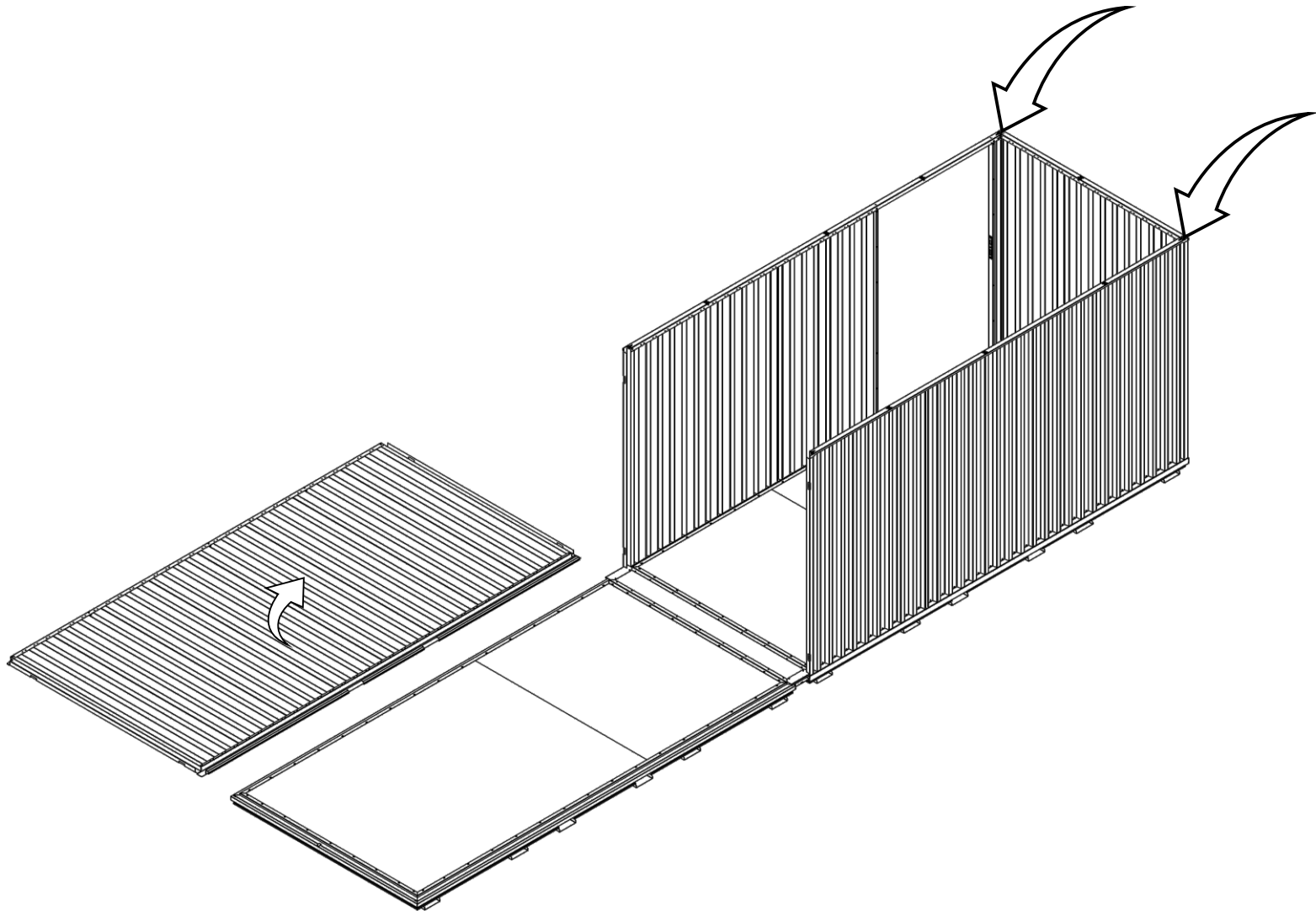
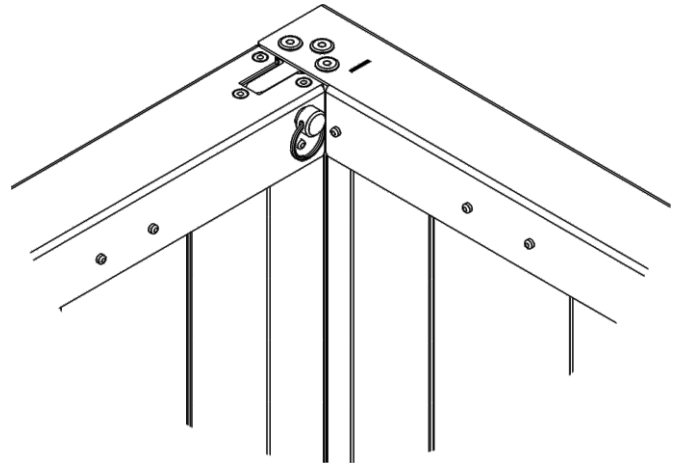
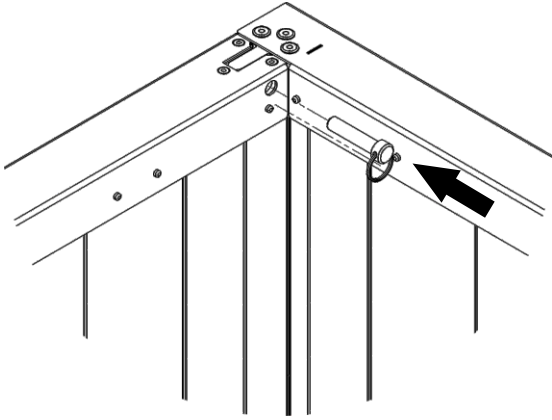
3.1.



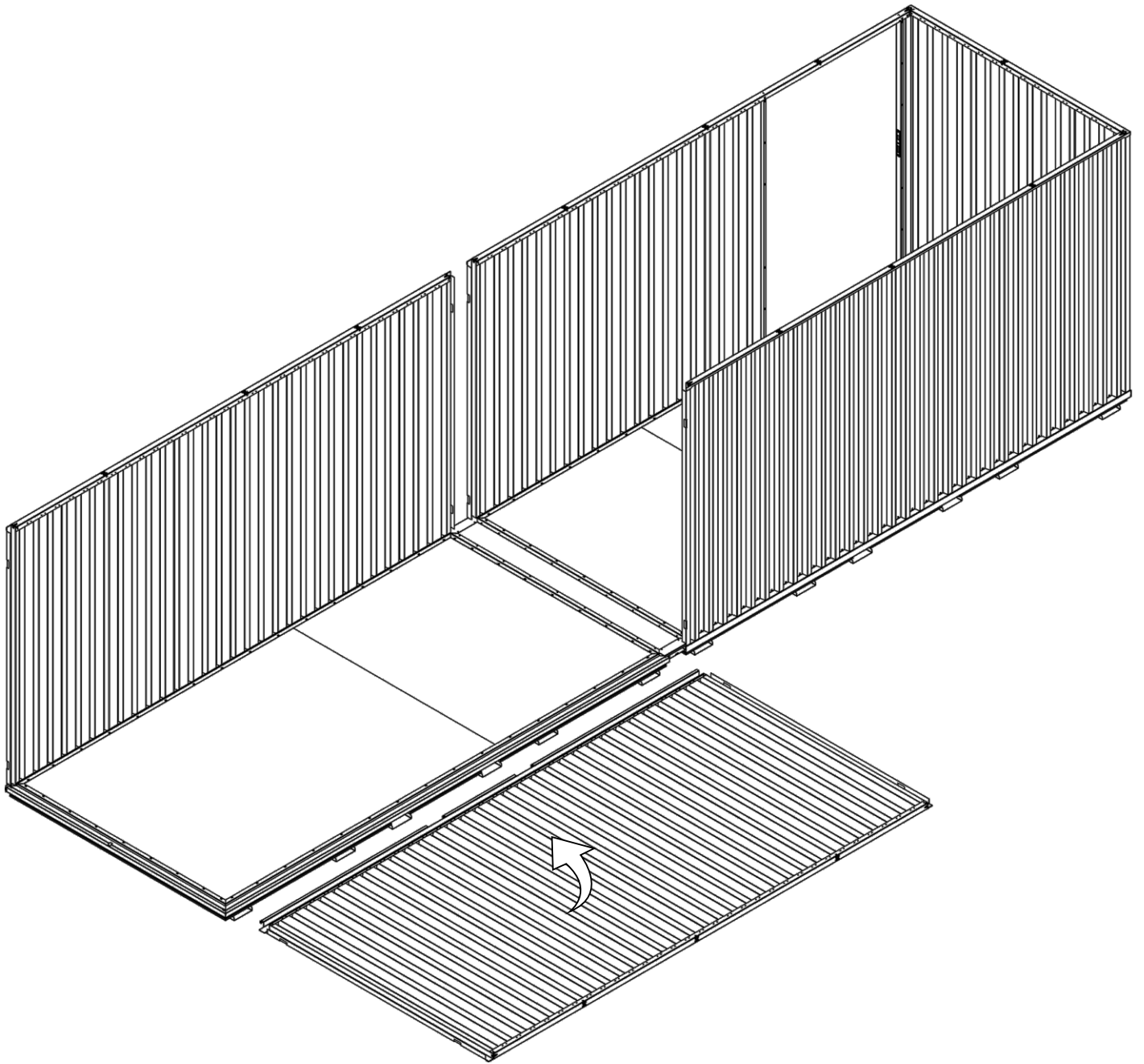
3.2.



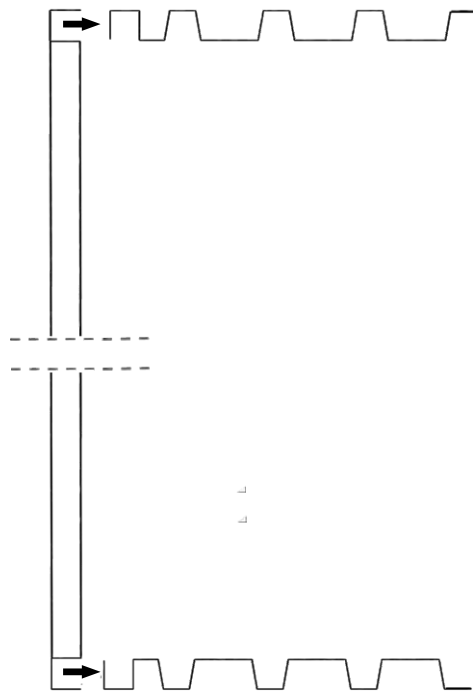
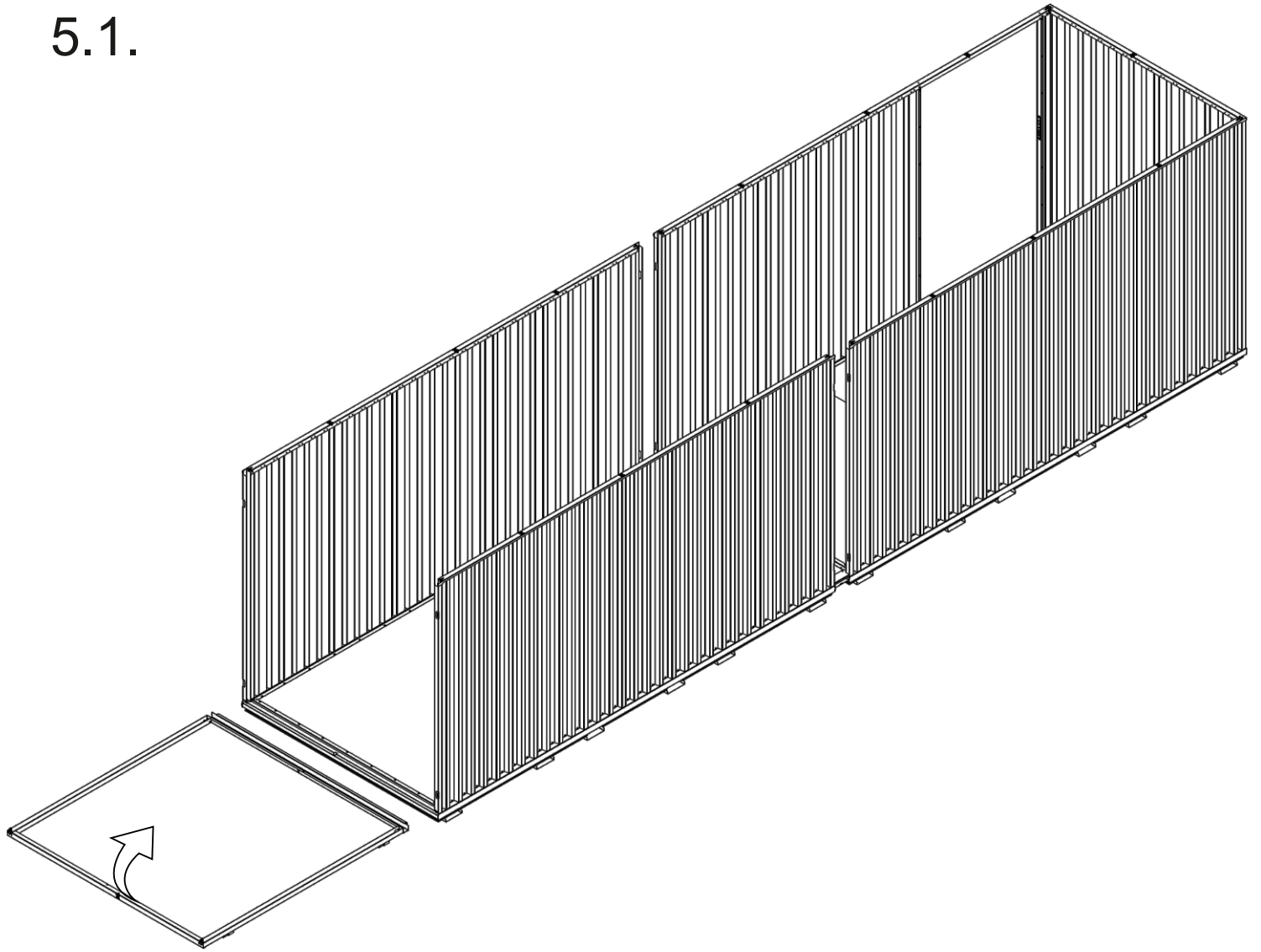
3.3.



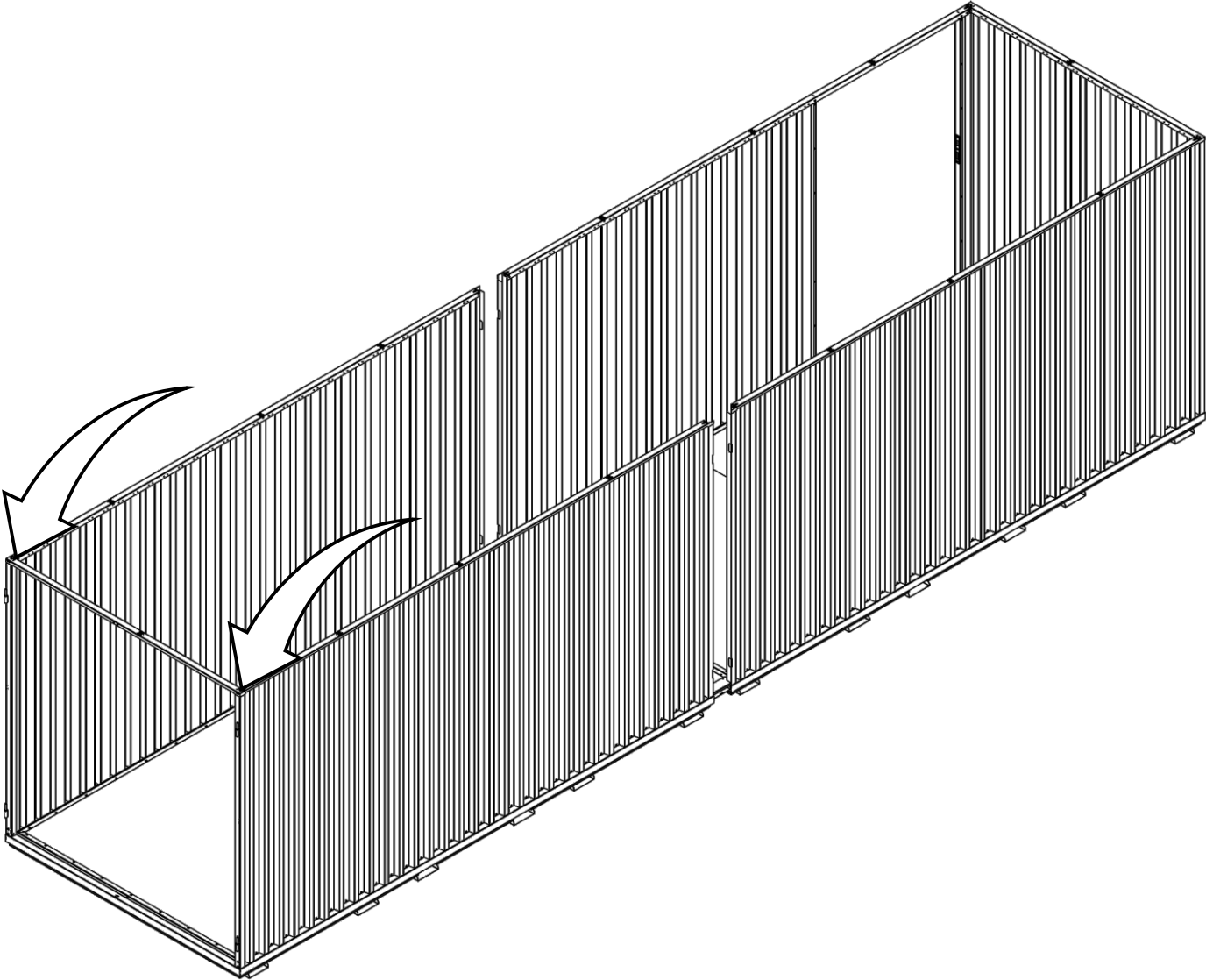
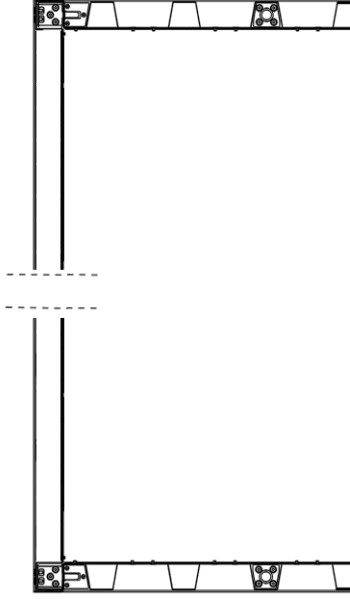
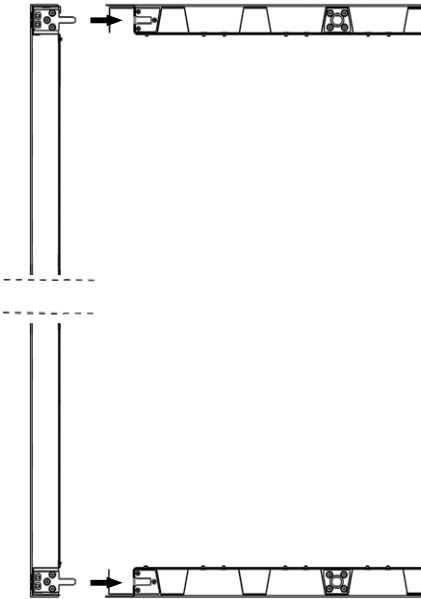
4.1.



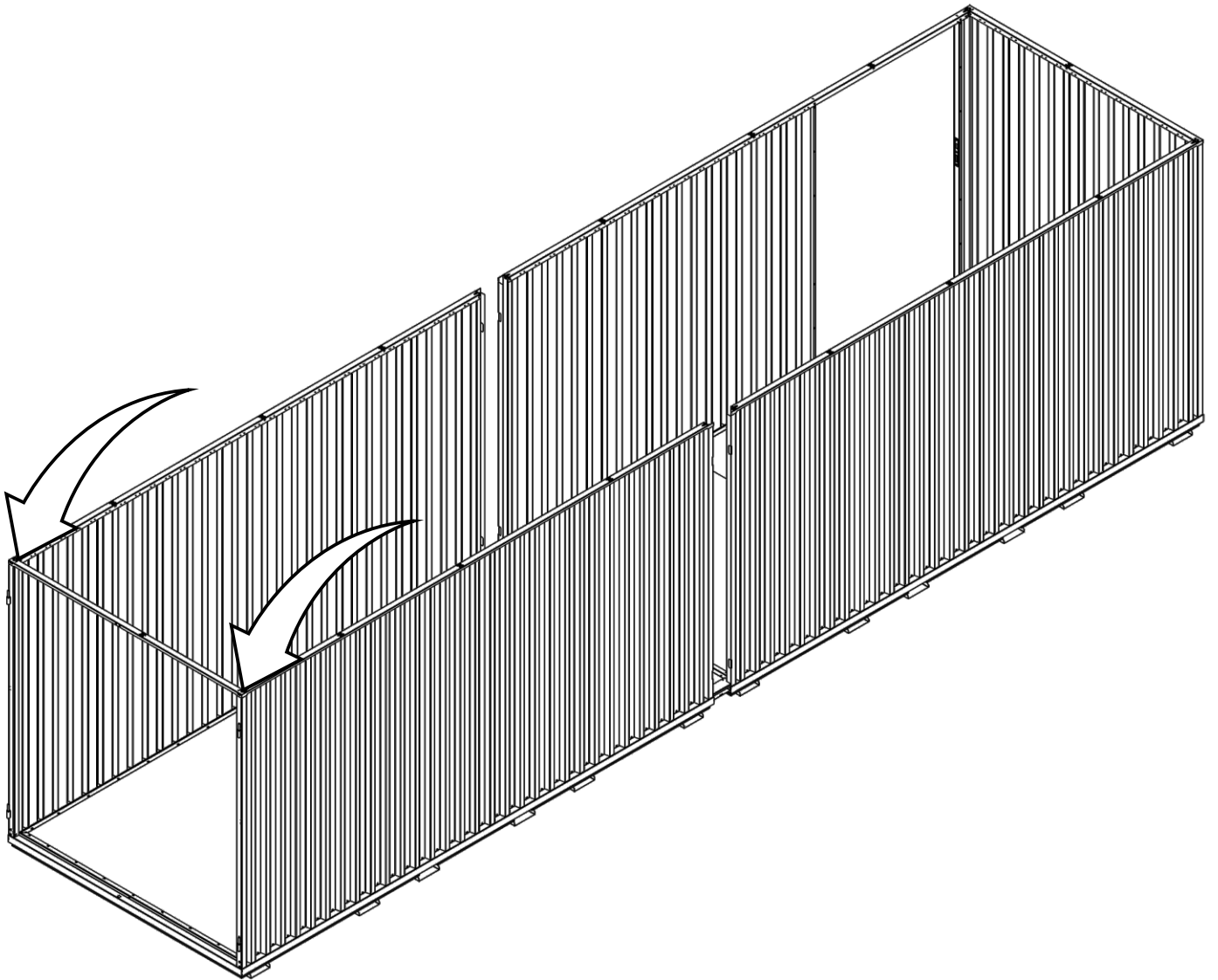
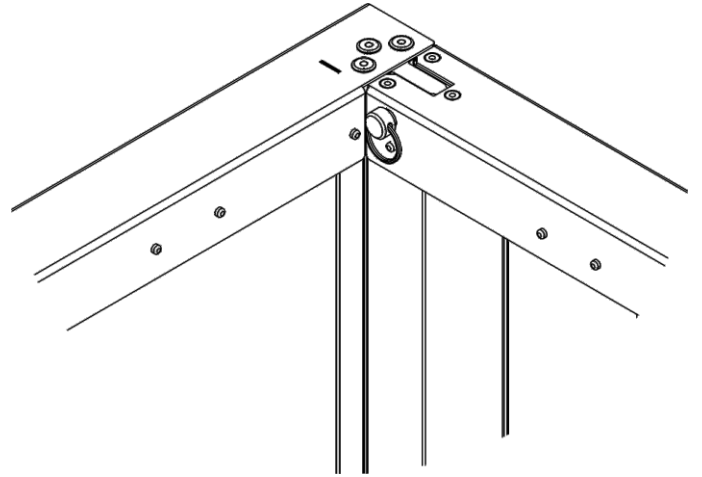
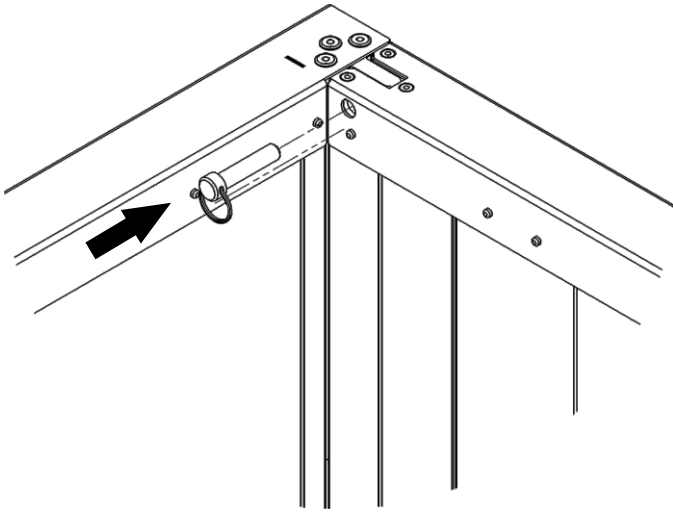
5.1.



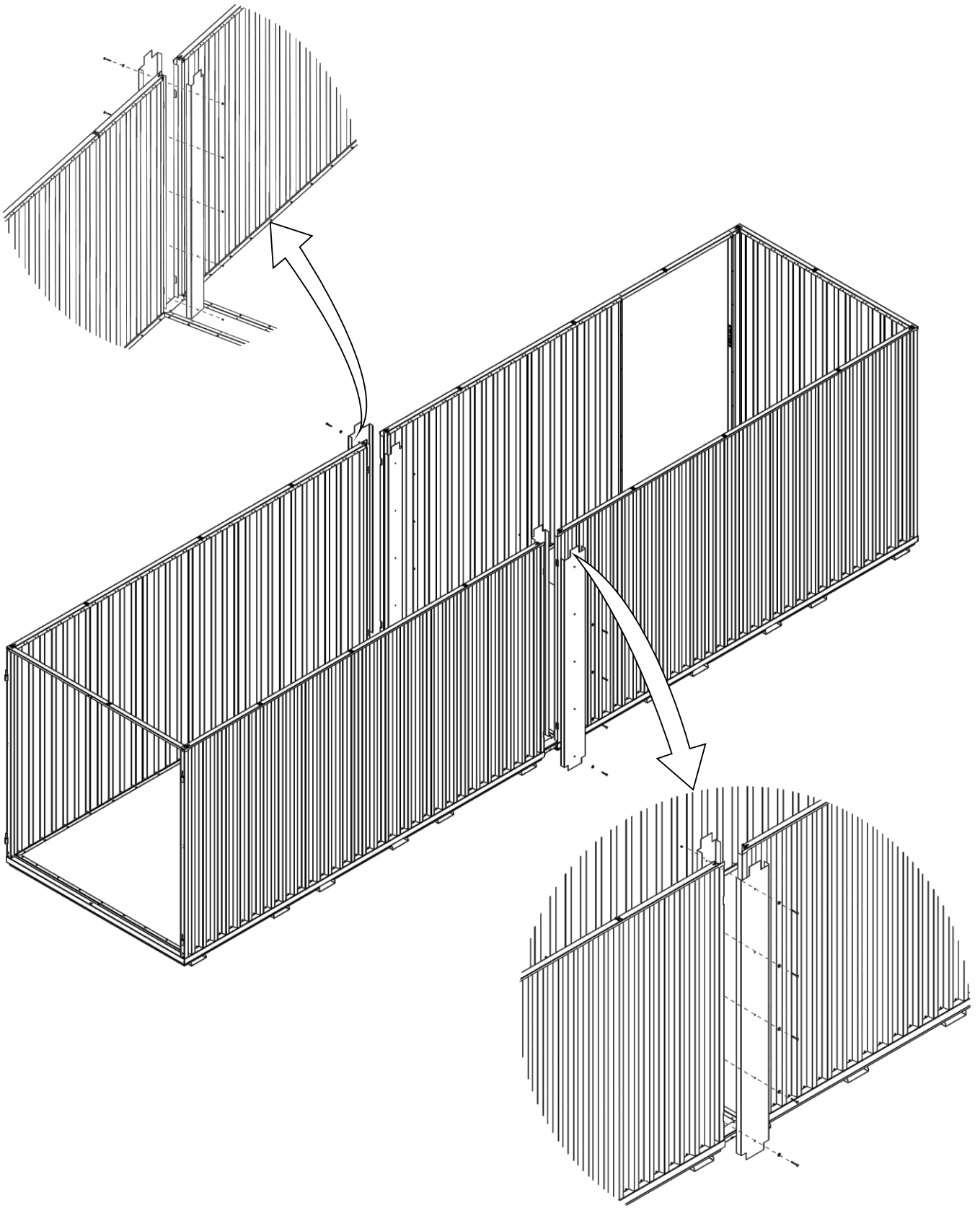
5.2.



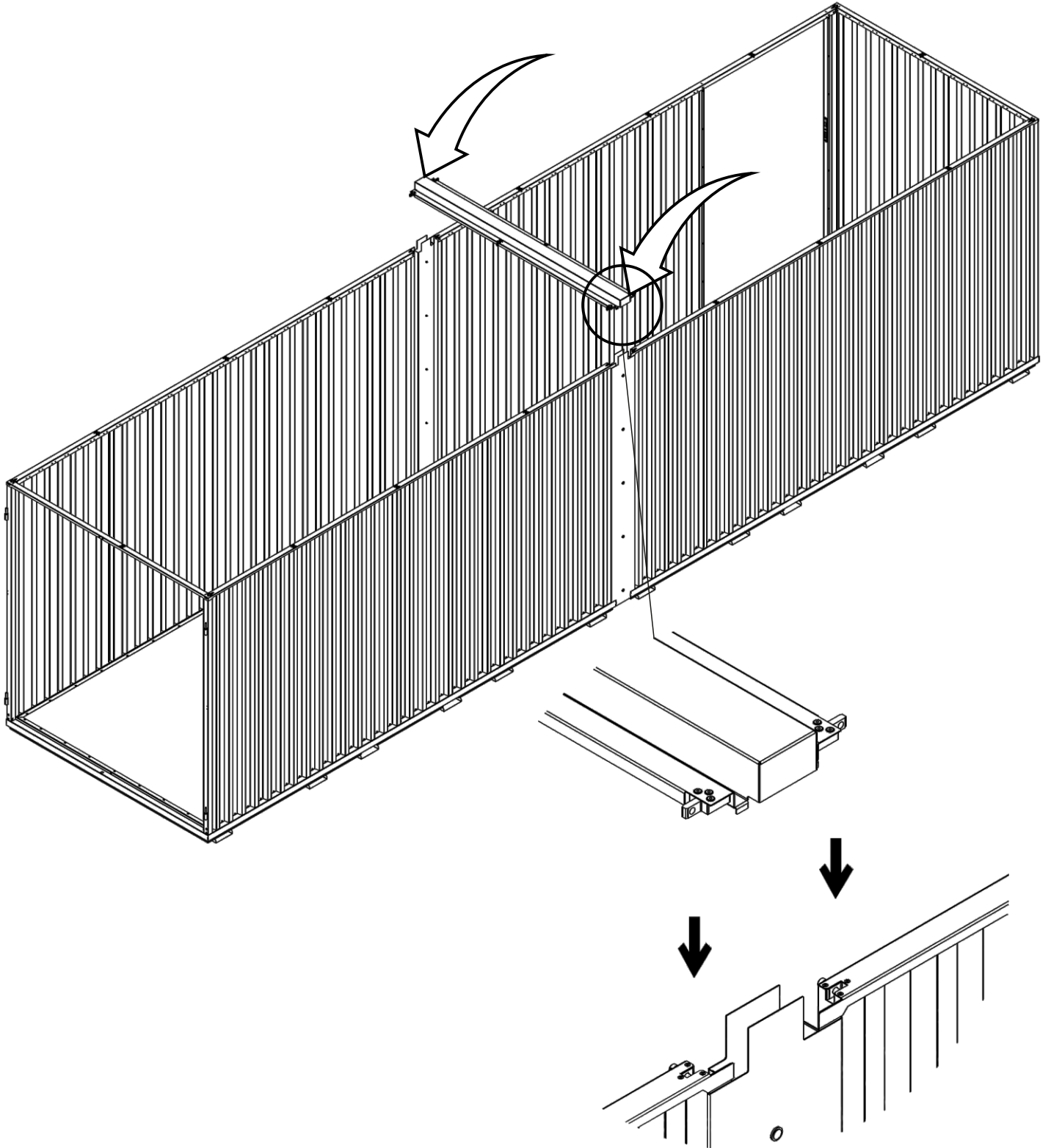
5.3.



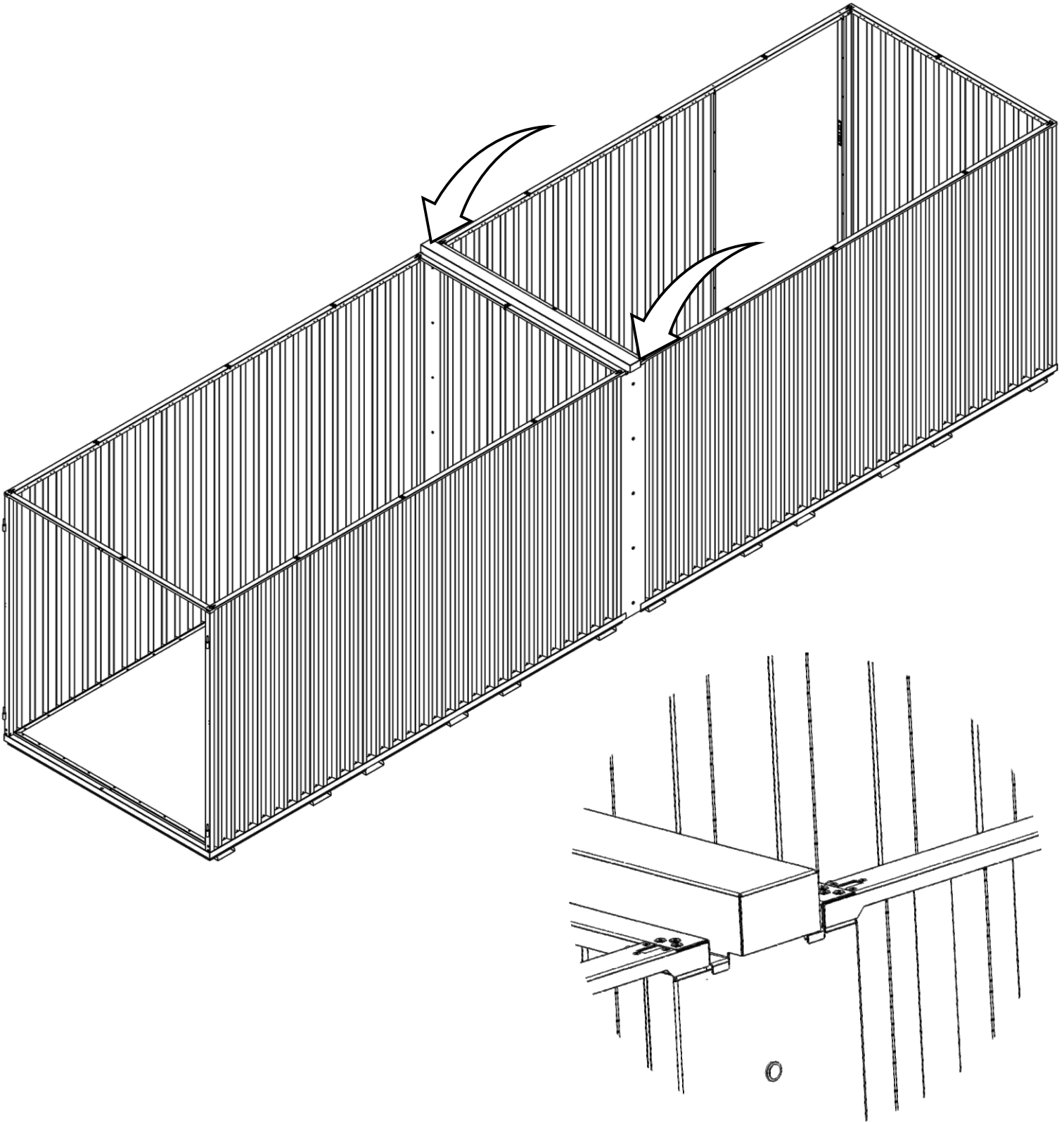
6.1.



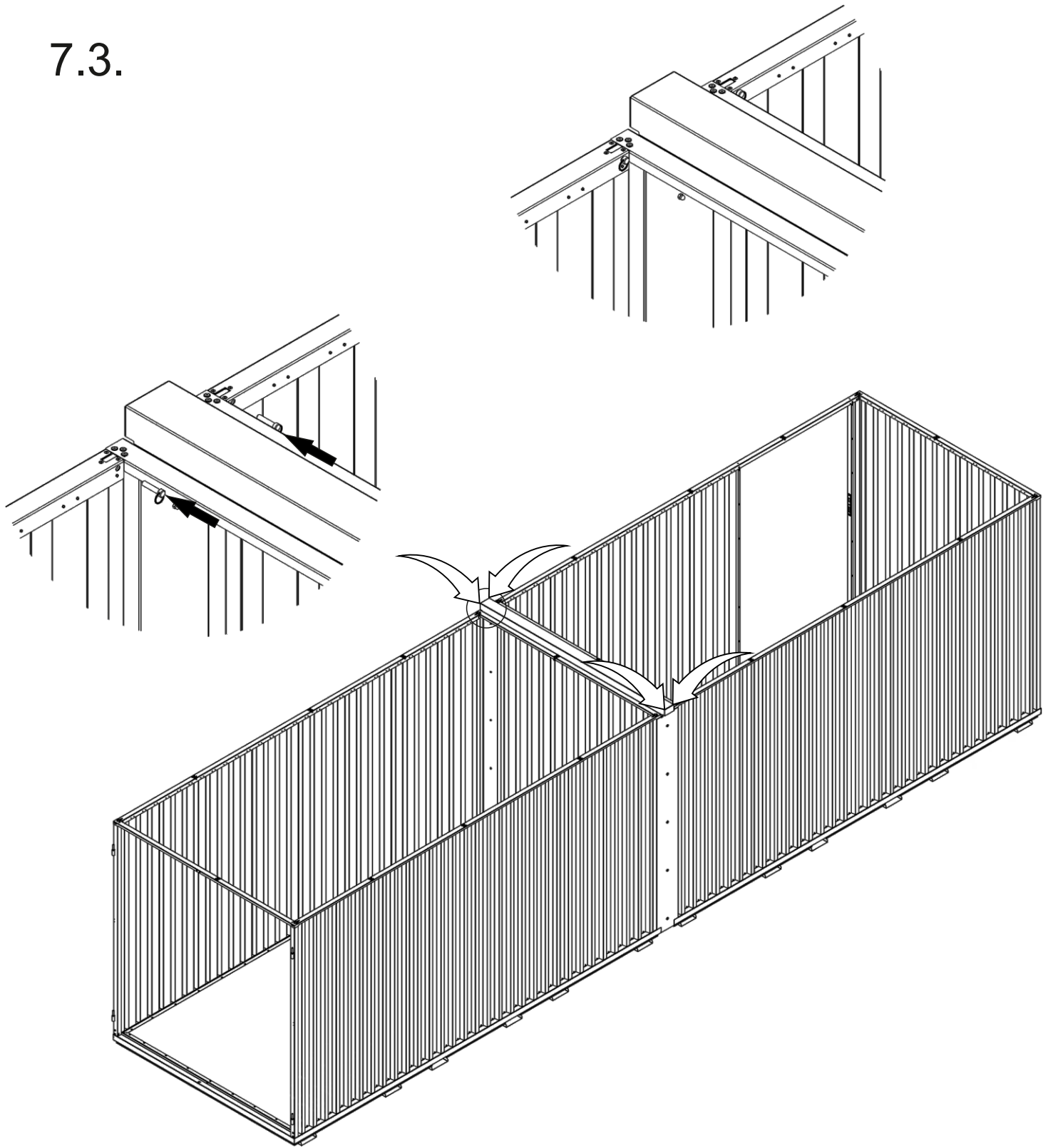
7.1.



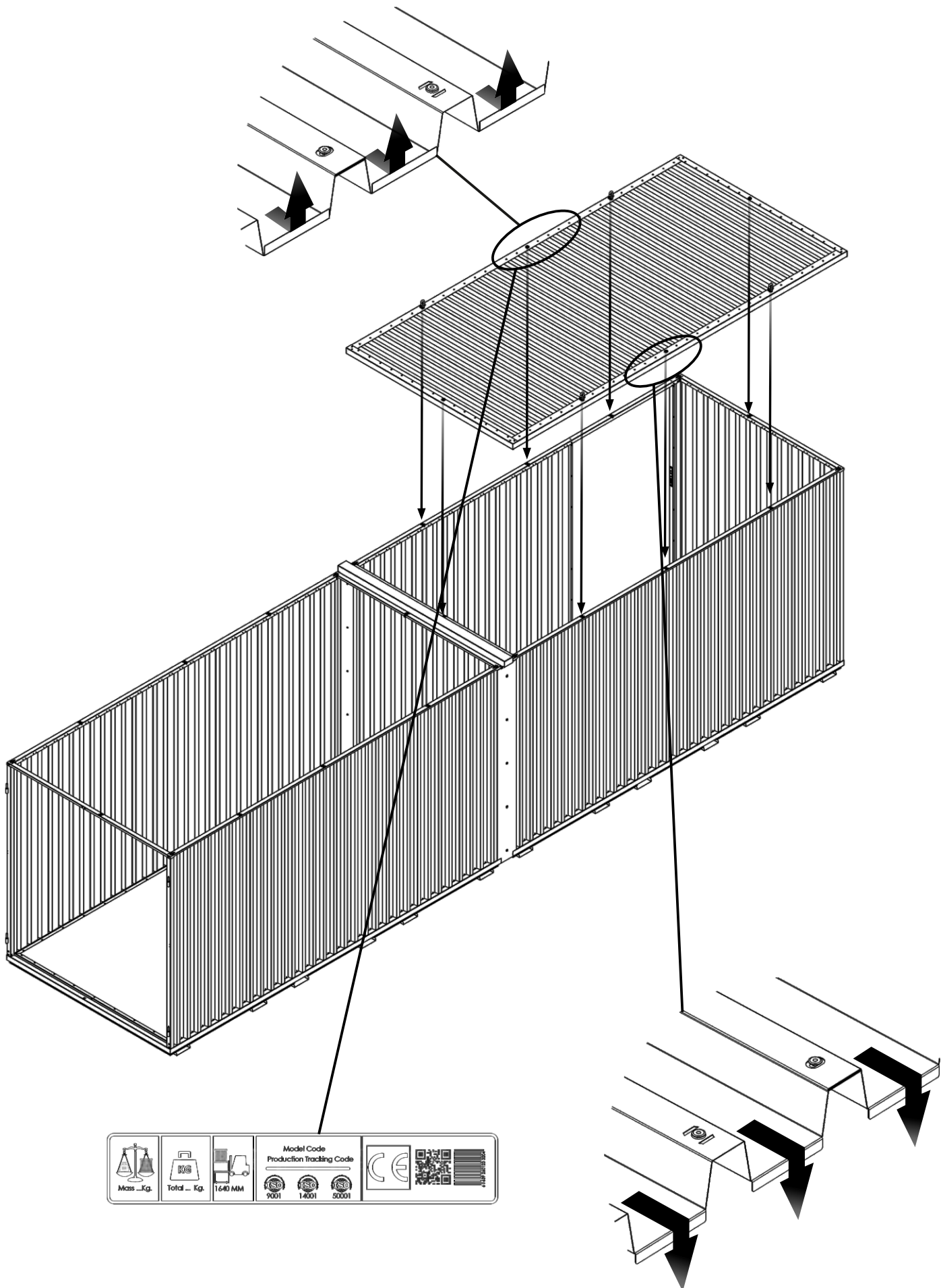
7.2.











7.3.

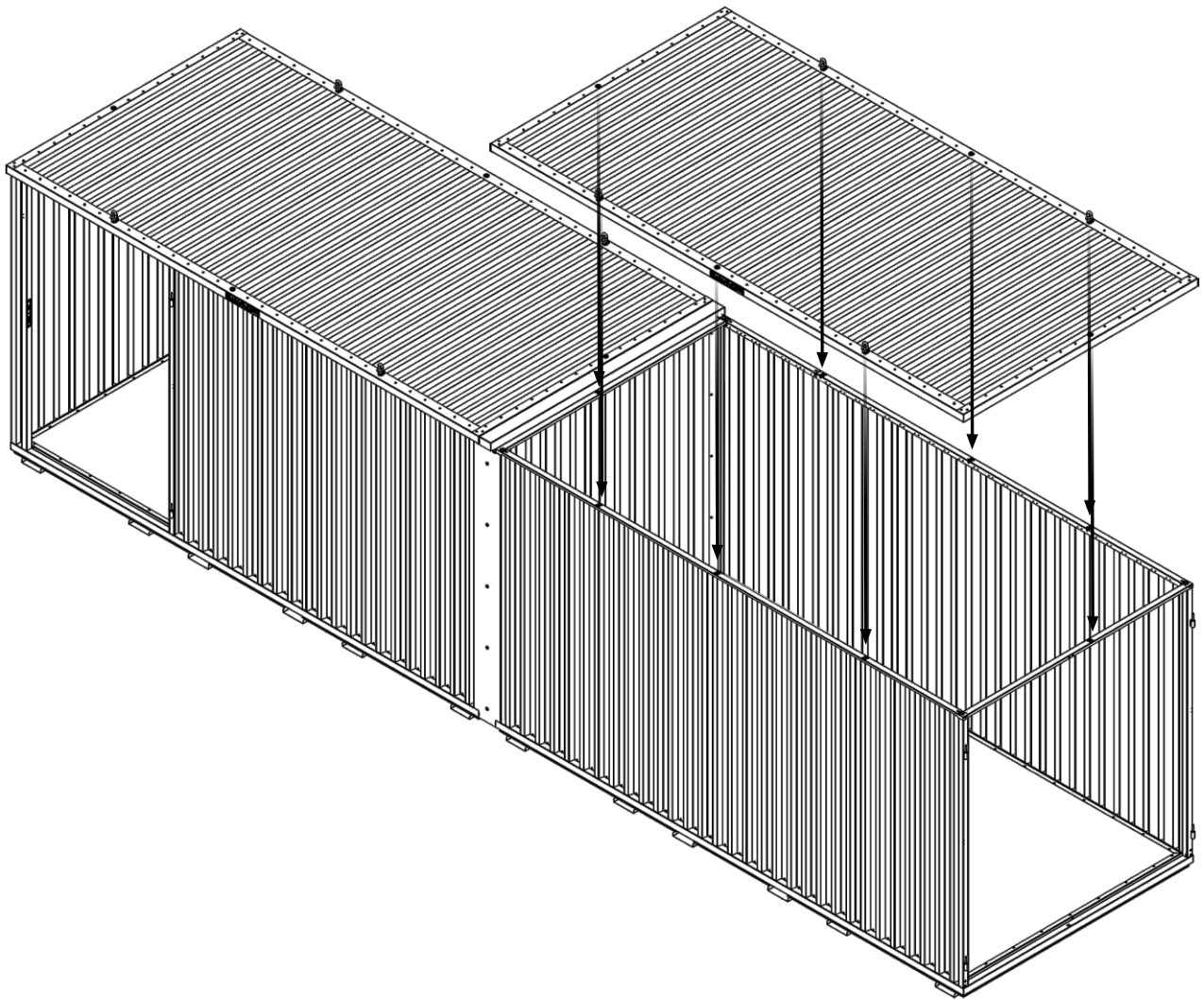


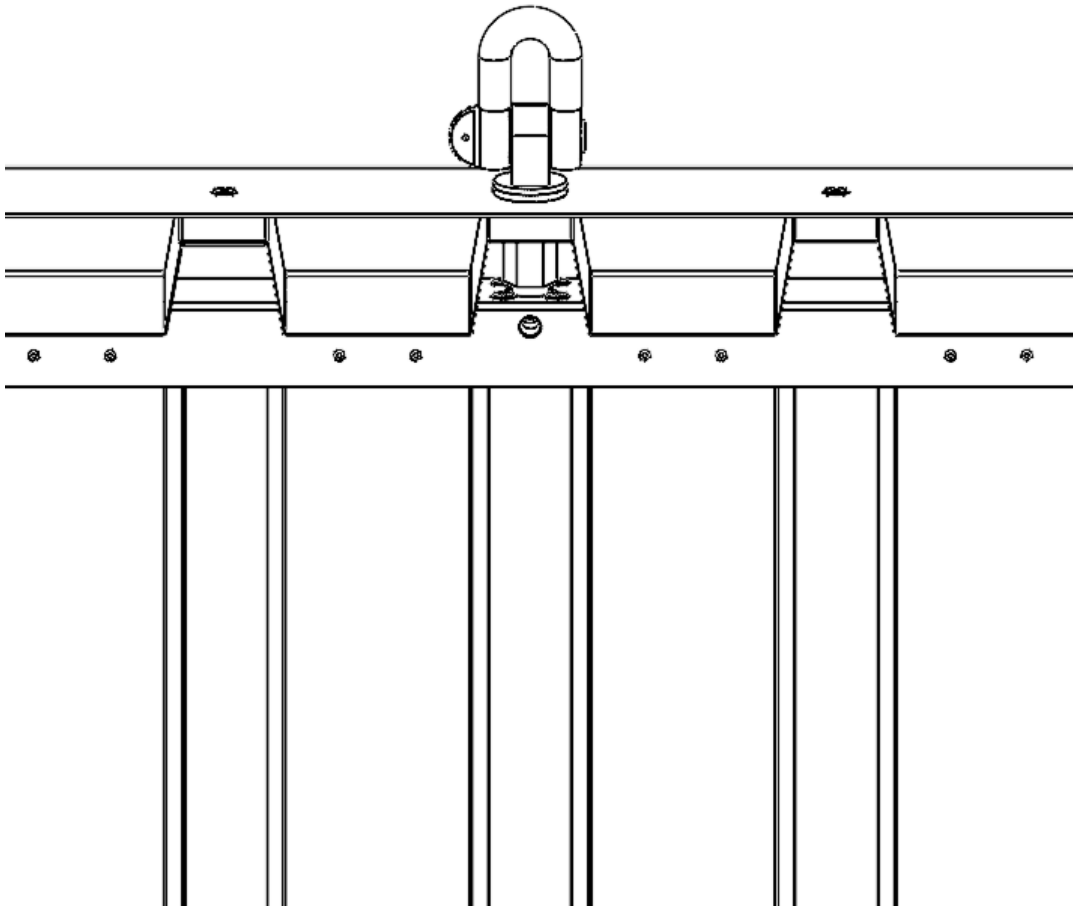
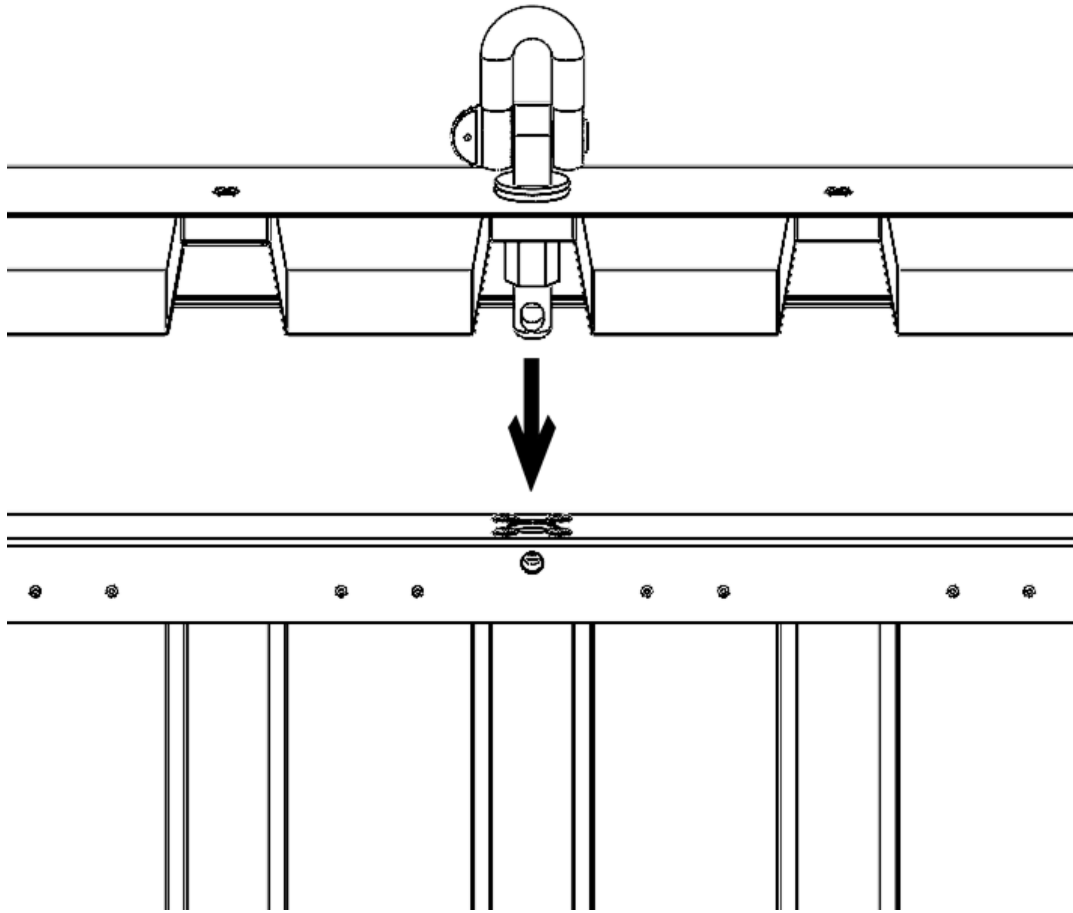
8.1.



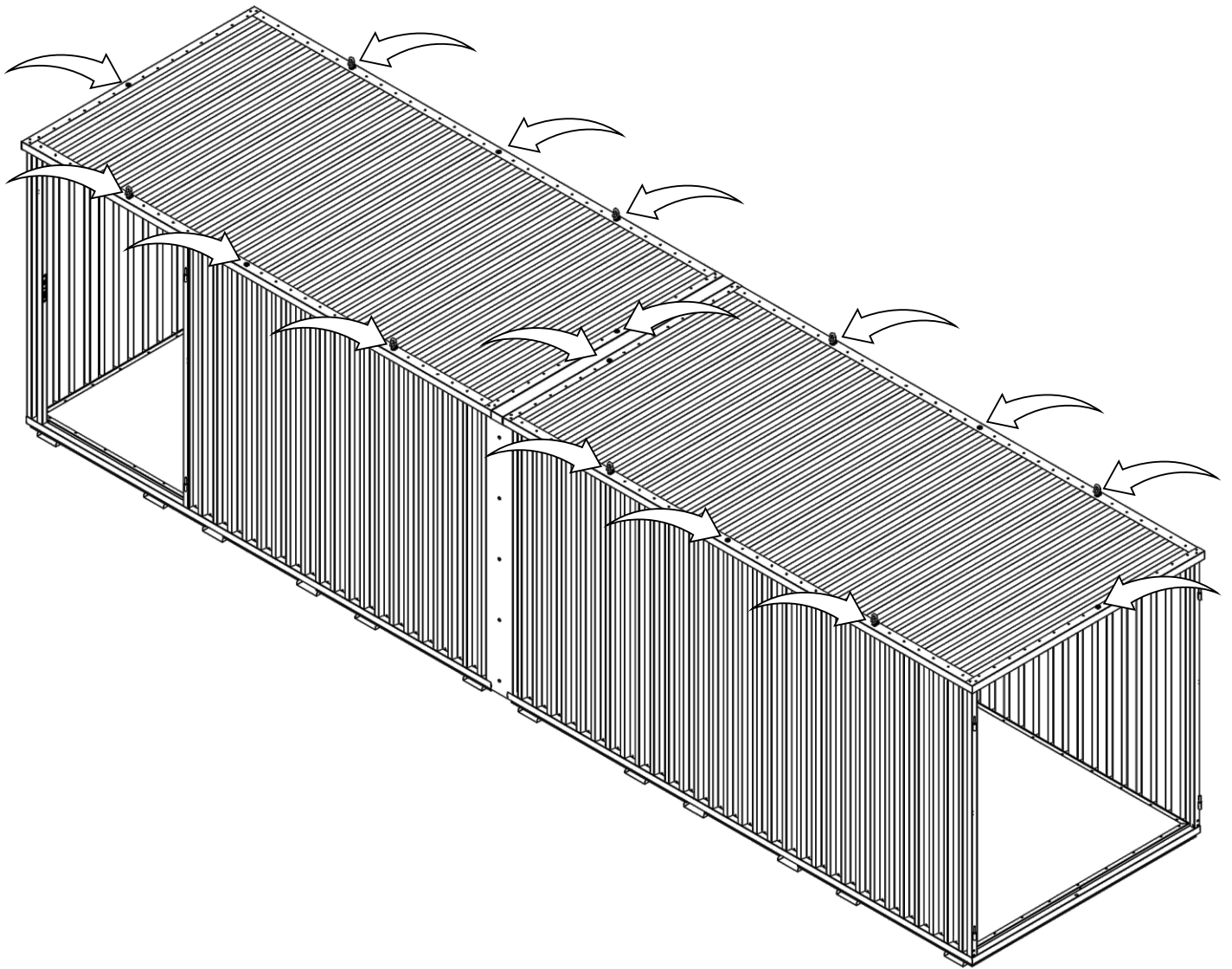
 Mass ...Kg.	 Total ... Kg.	 1640 MM	Model Code Production Tracking Code   	 
--	--	--	---	---

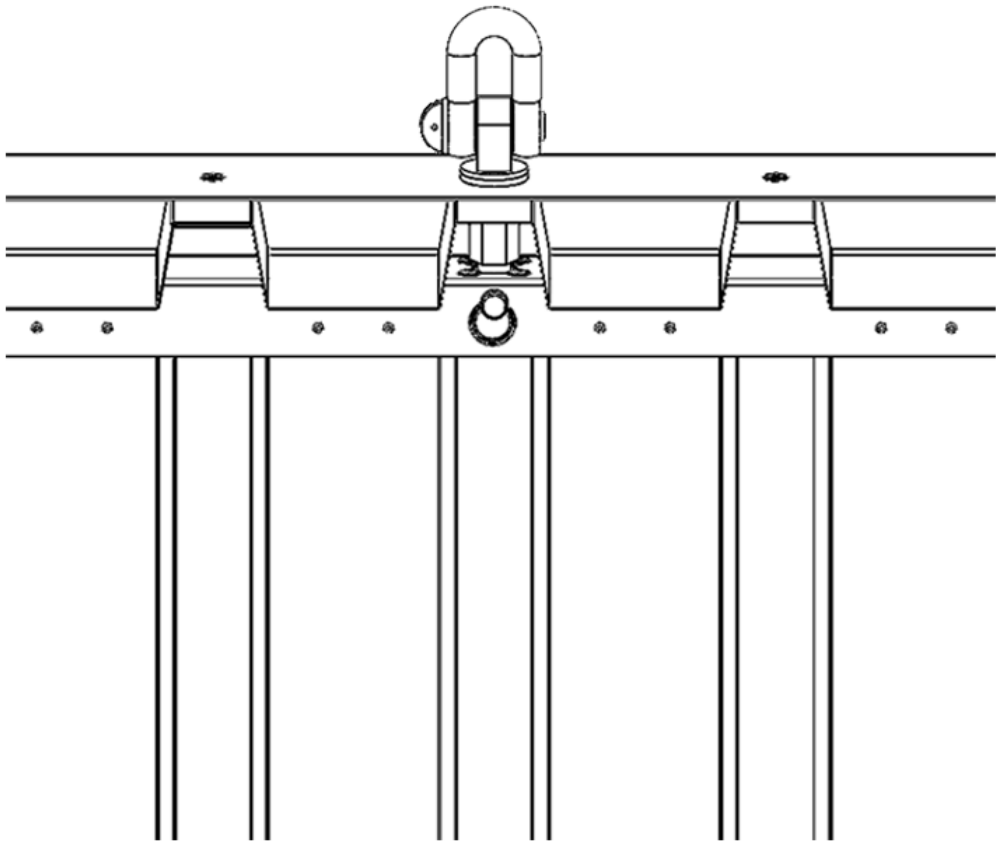
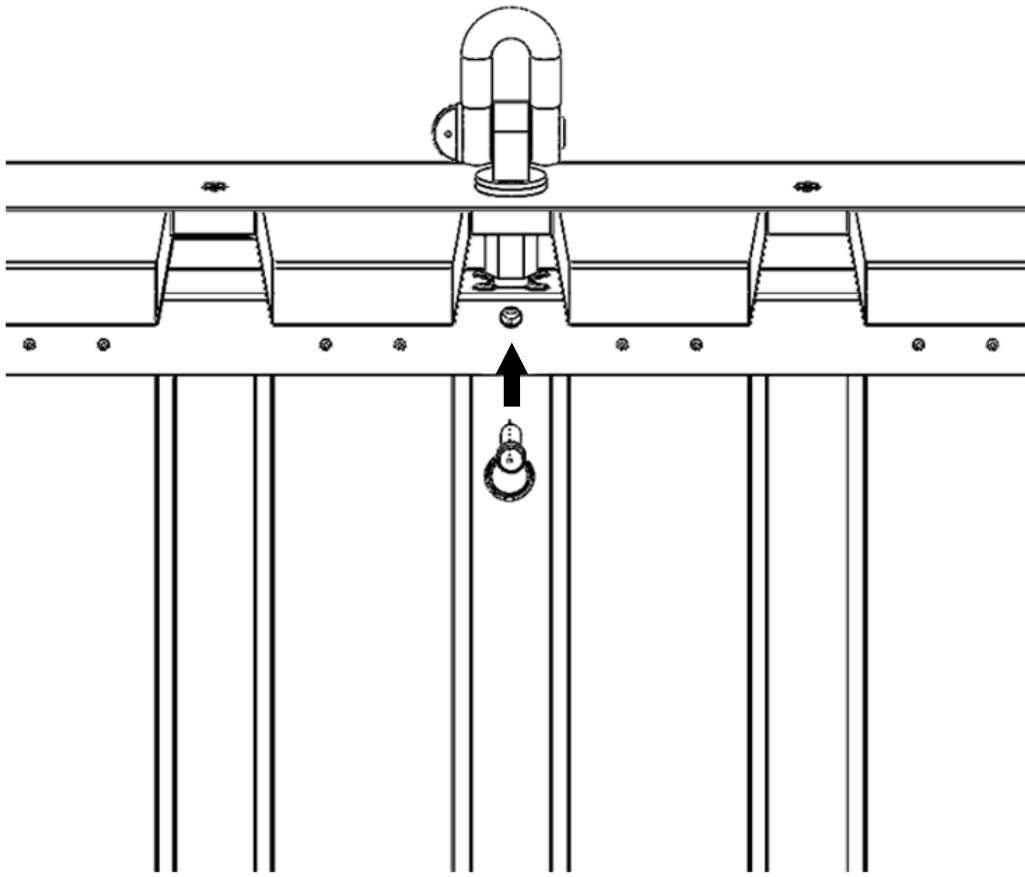
8.2.



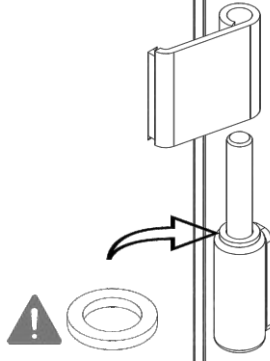
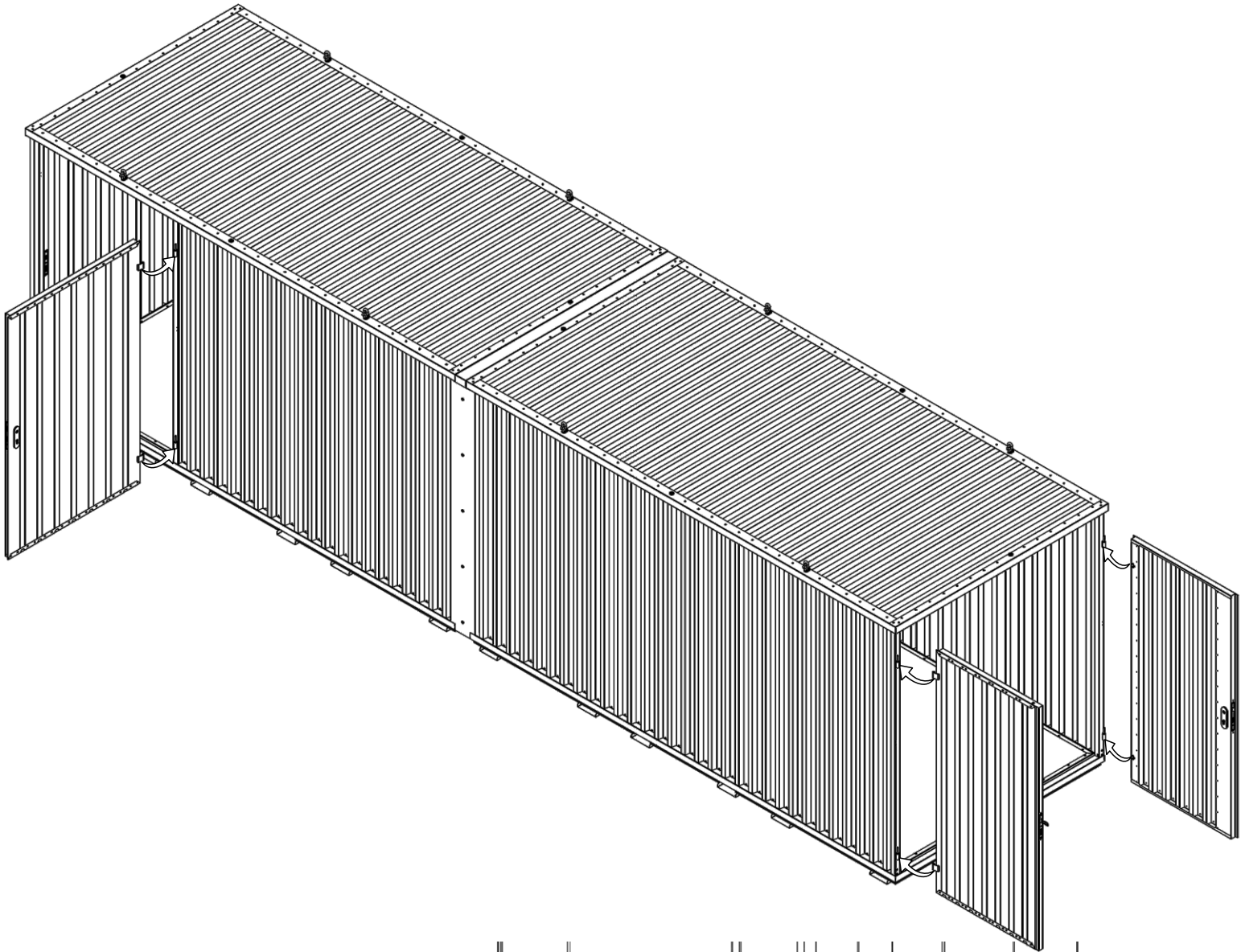


8.3.

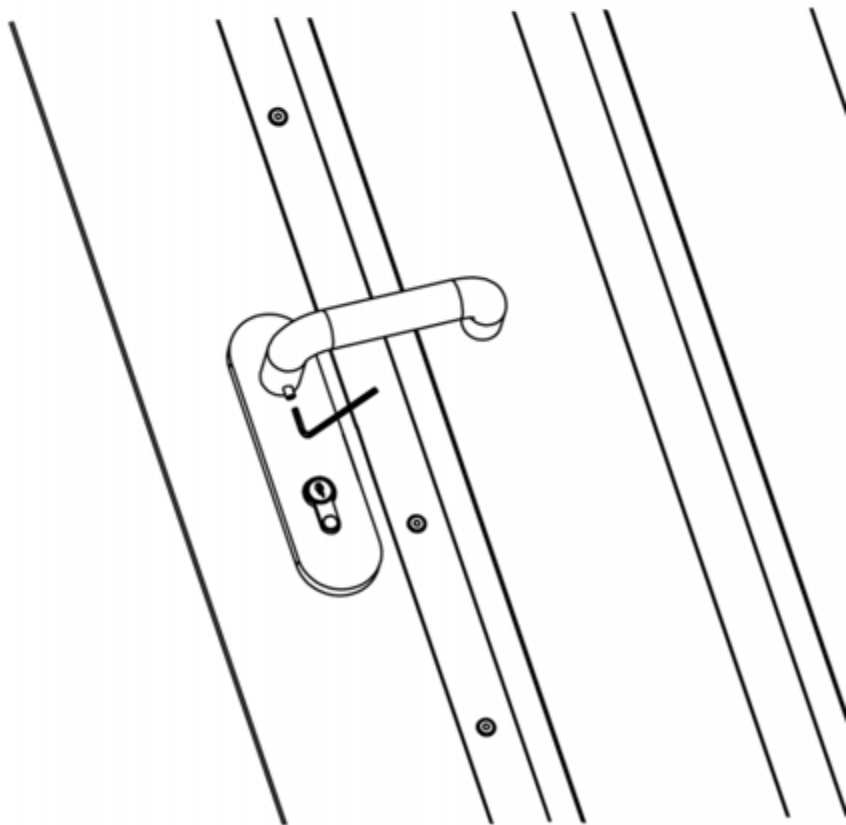
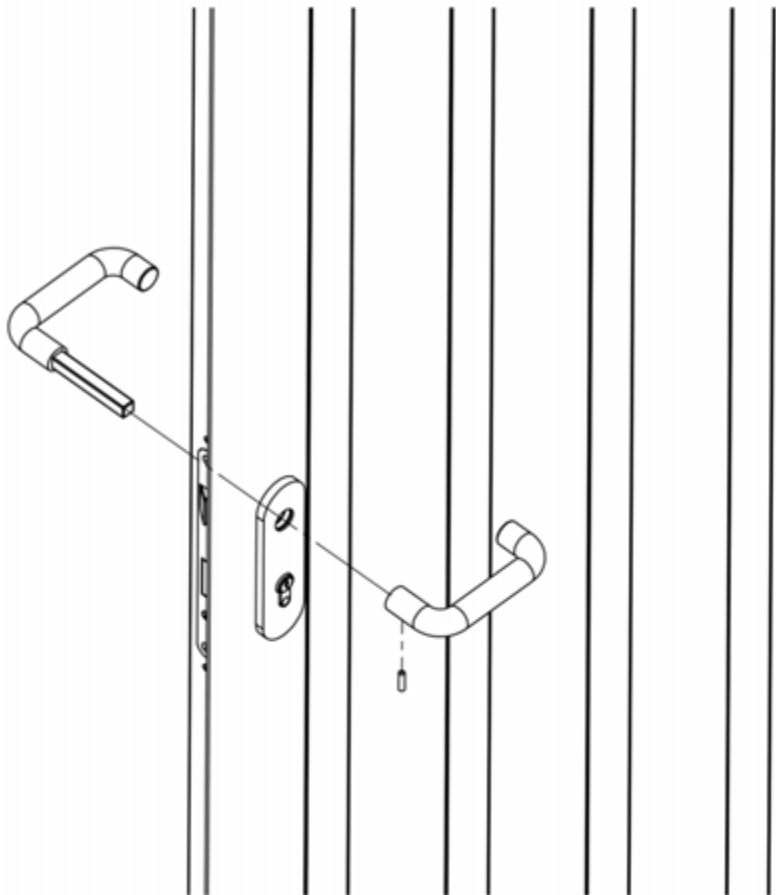




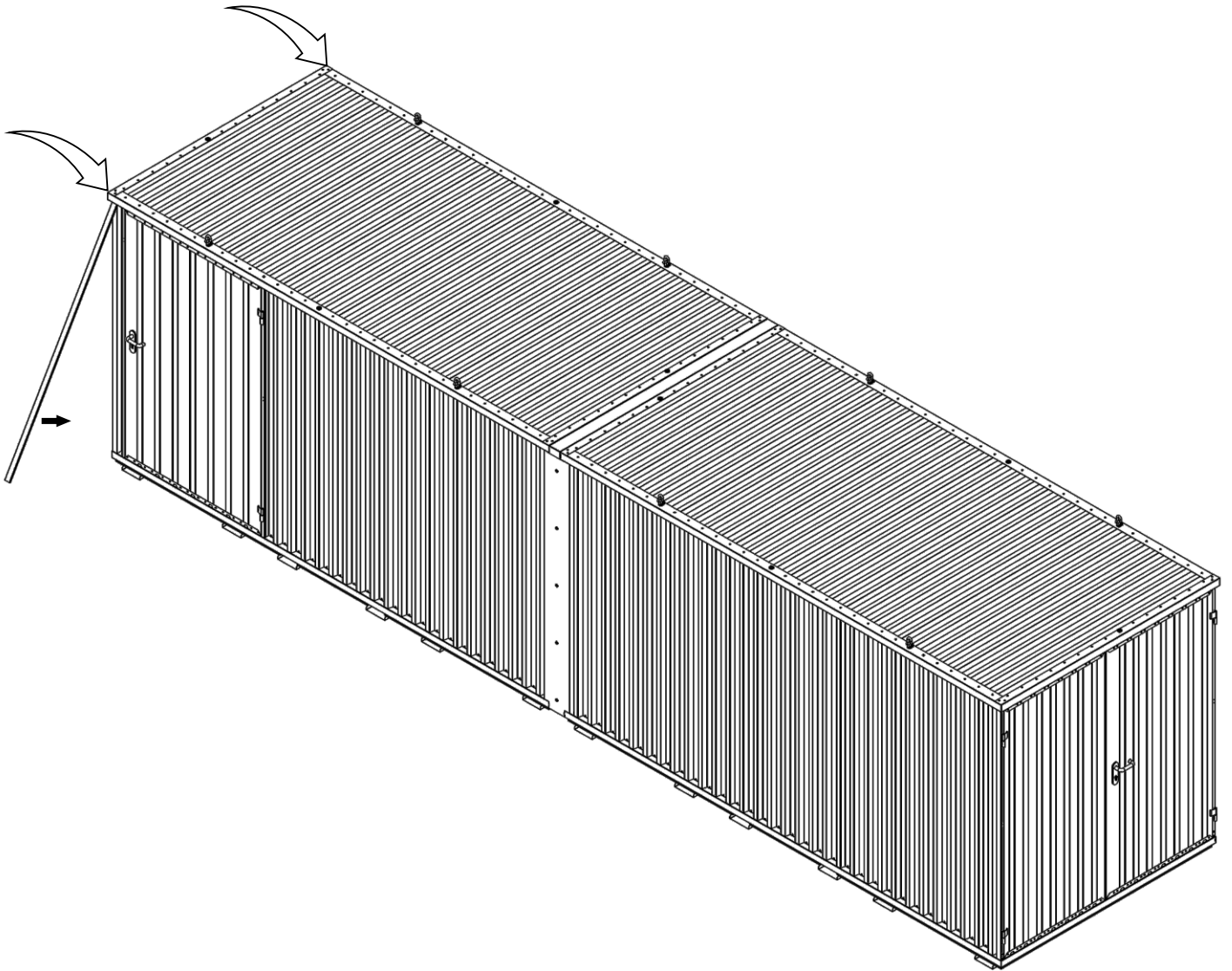
9.1.



9.2.



10.1.



11.1.

