



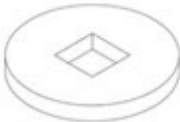

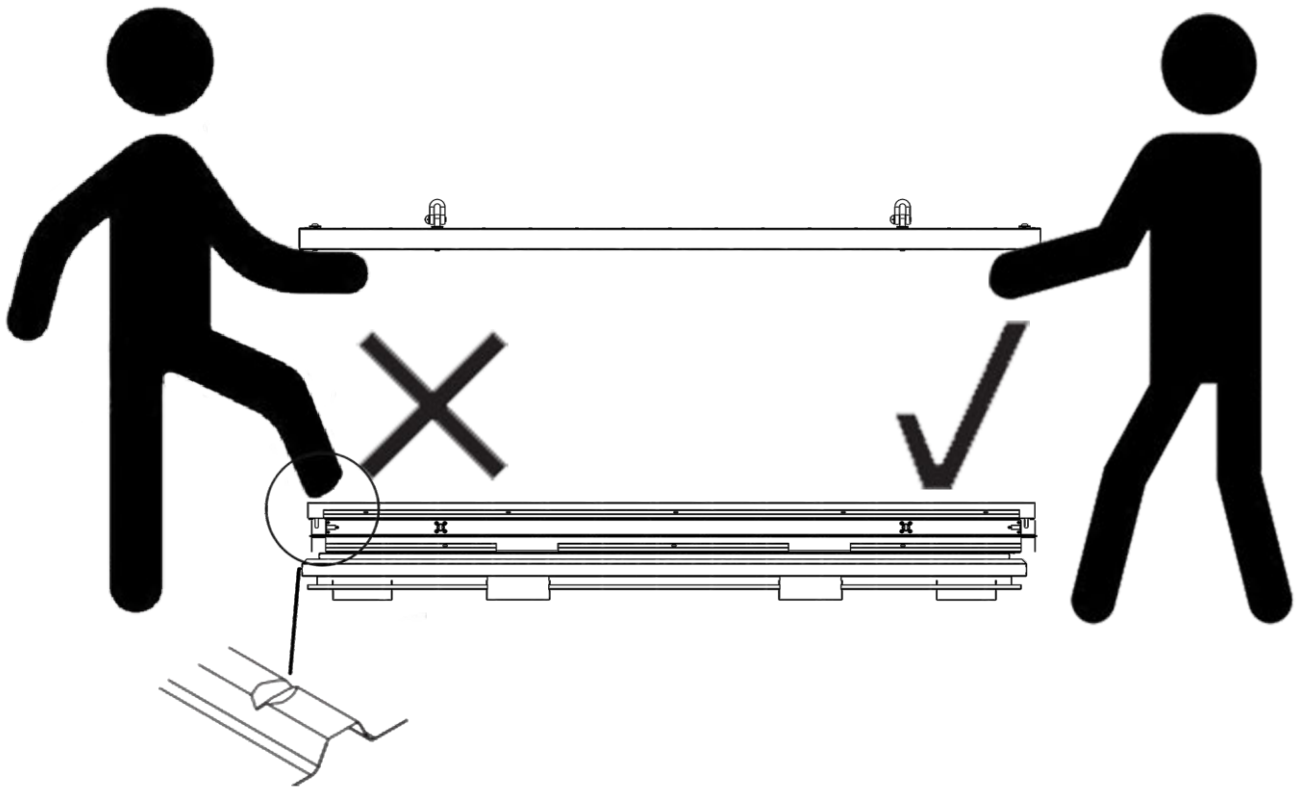
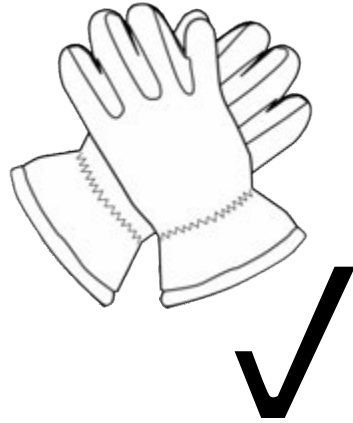


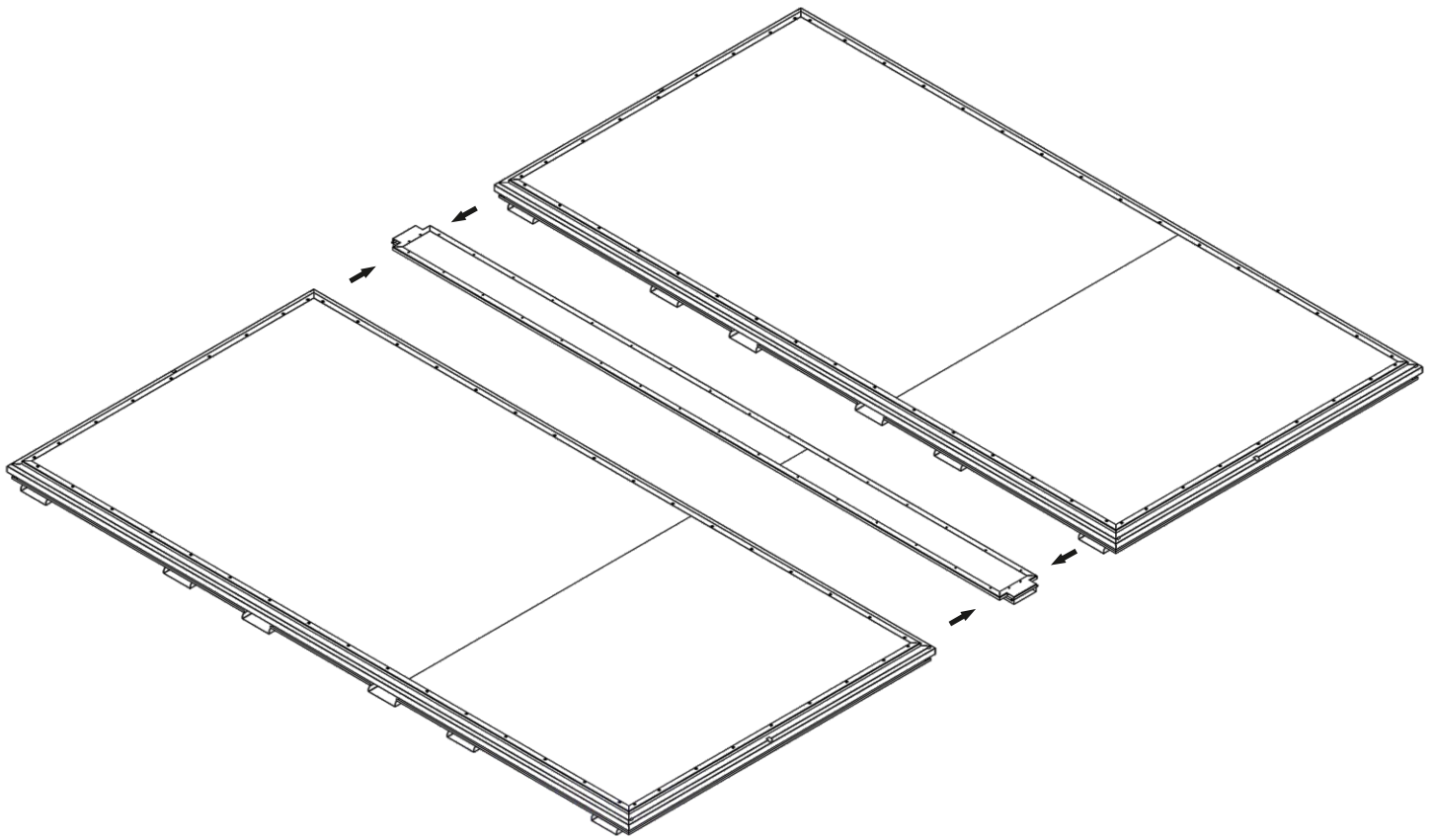
PRODUCT CODE :404.110.430



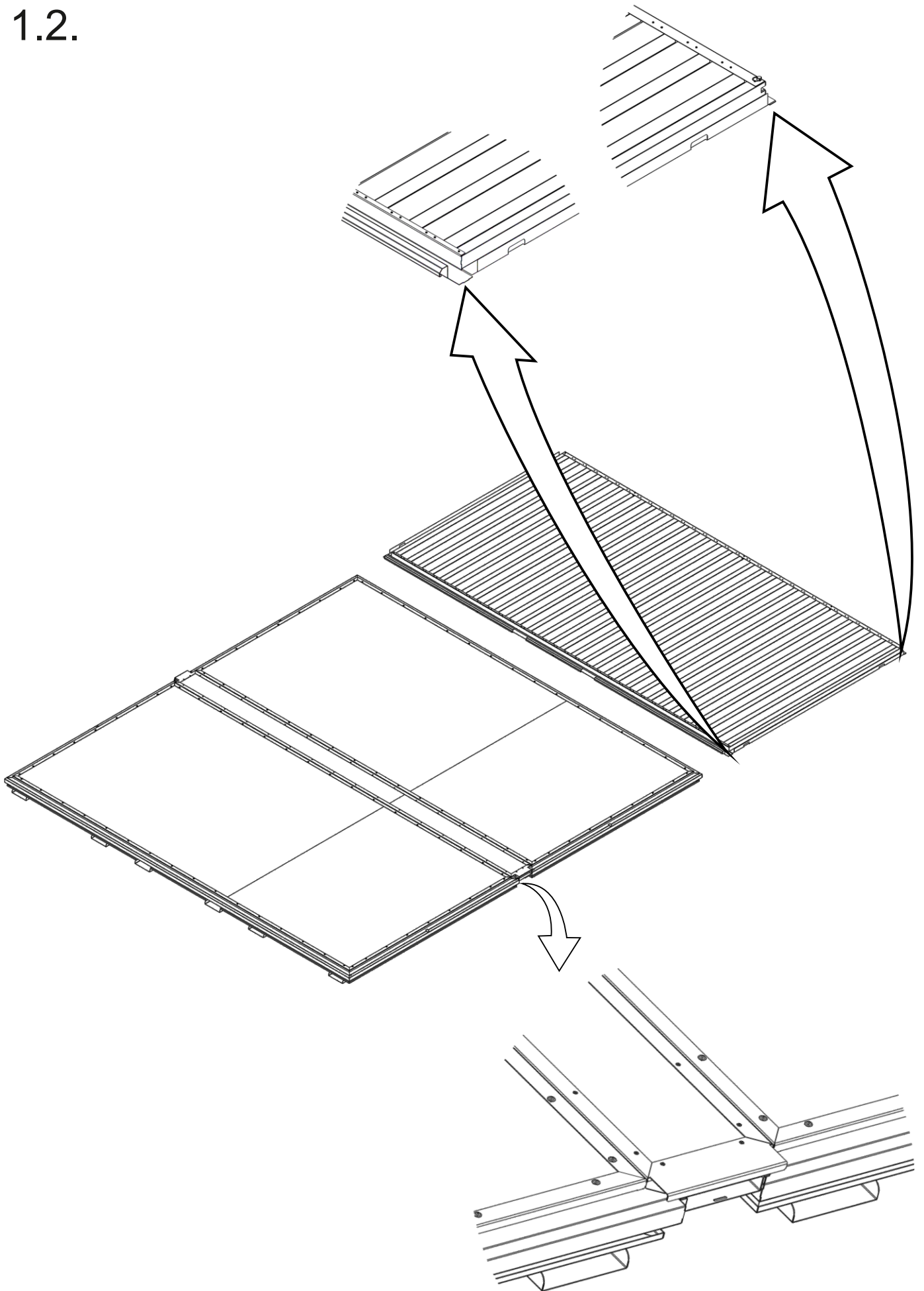
	24 pcs.
	1 pcs.
	1 pcs.
	10 pcs.
	10 pcs.
	10 pcs.



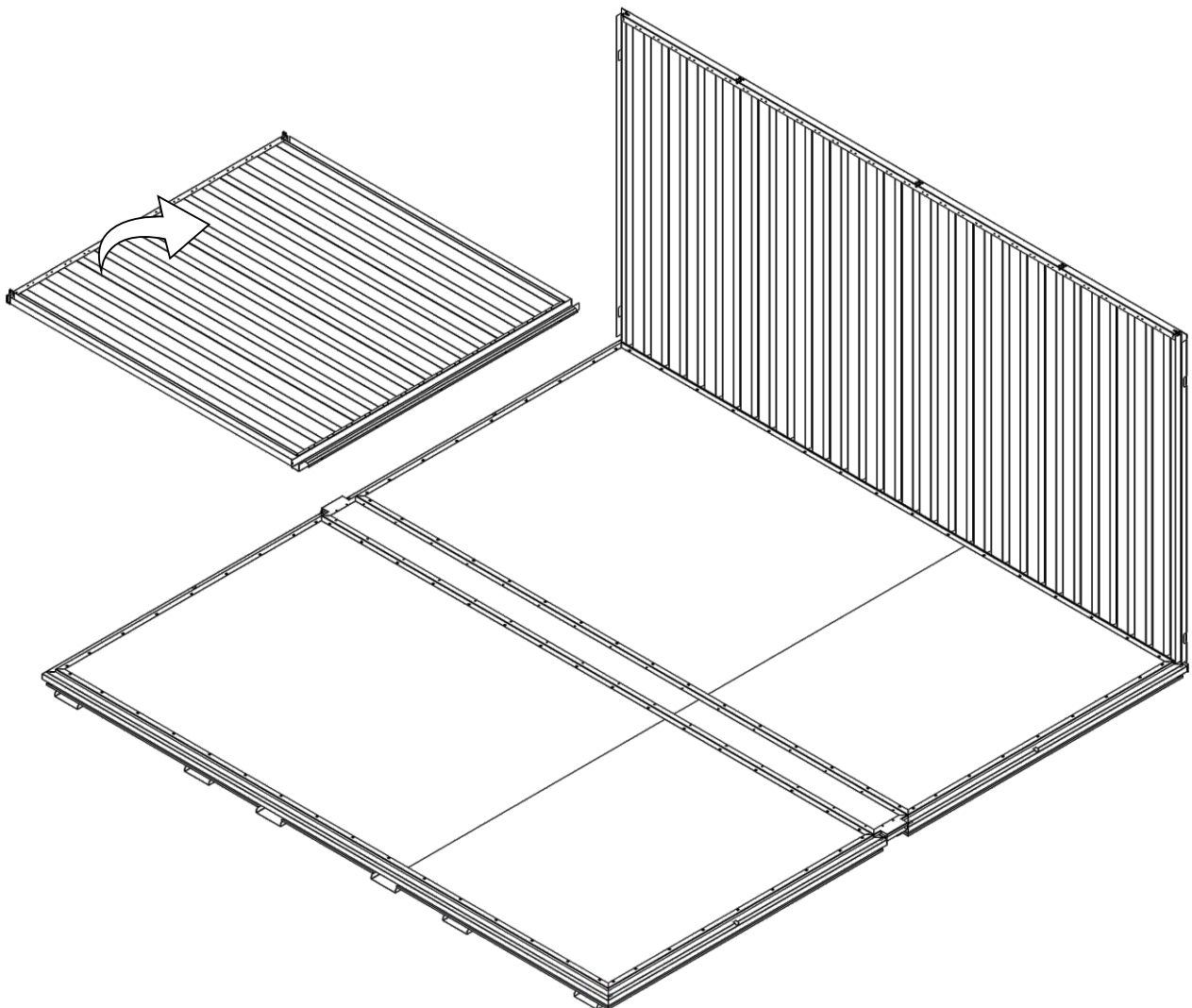
1.1.



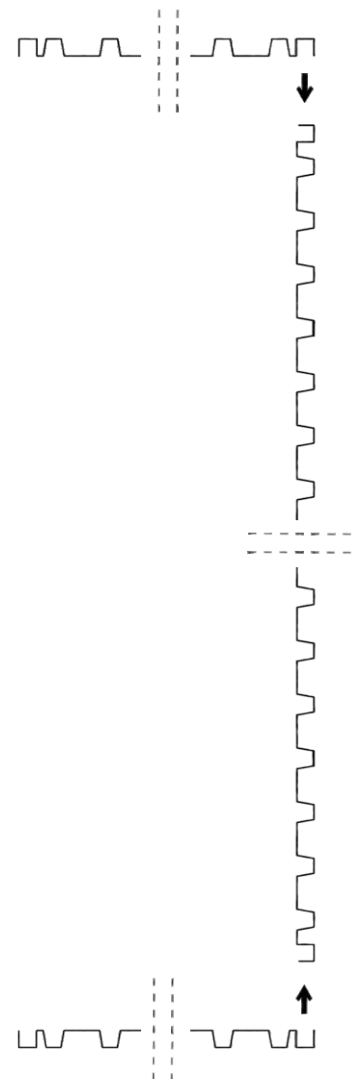
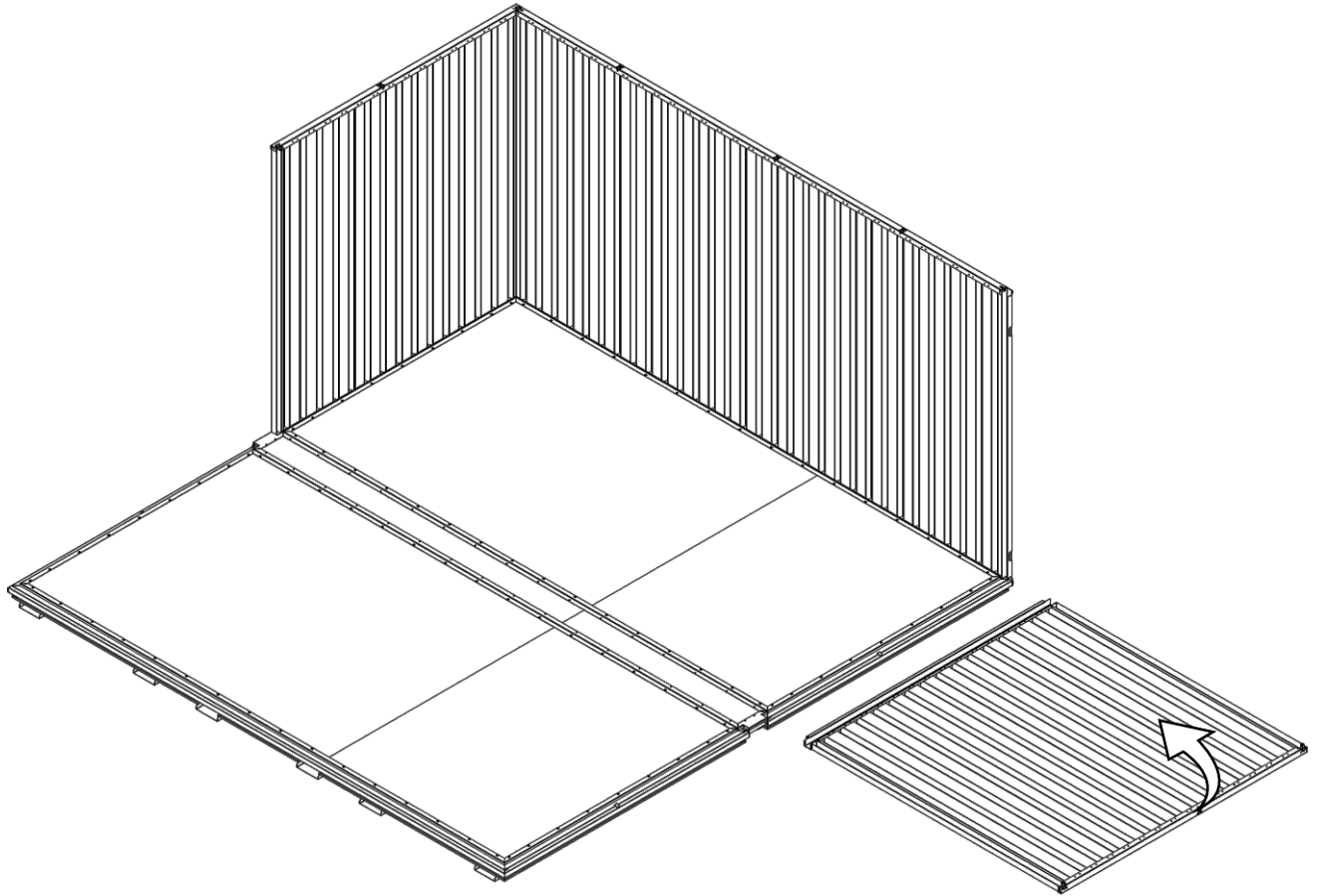
1.2.

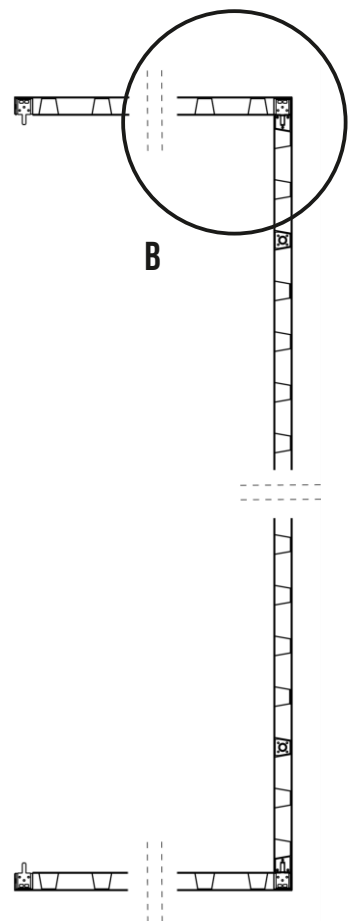
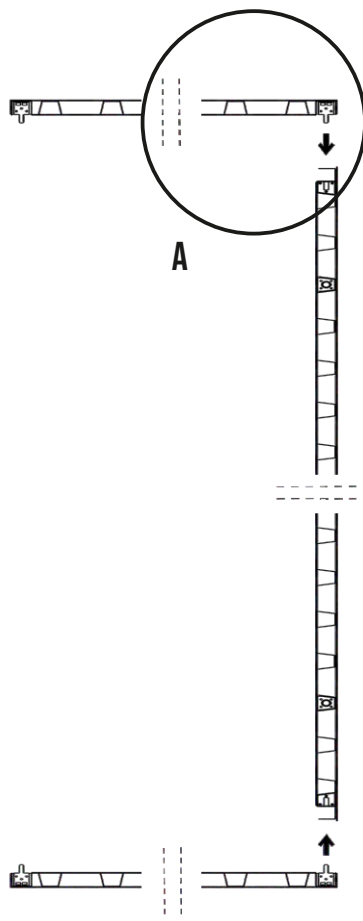
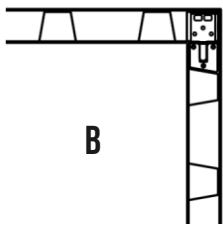
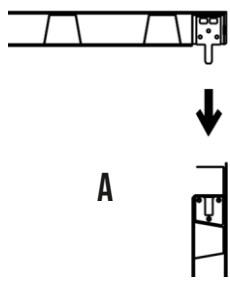


2.1.

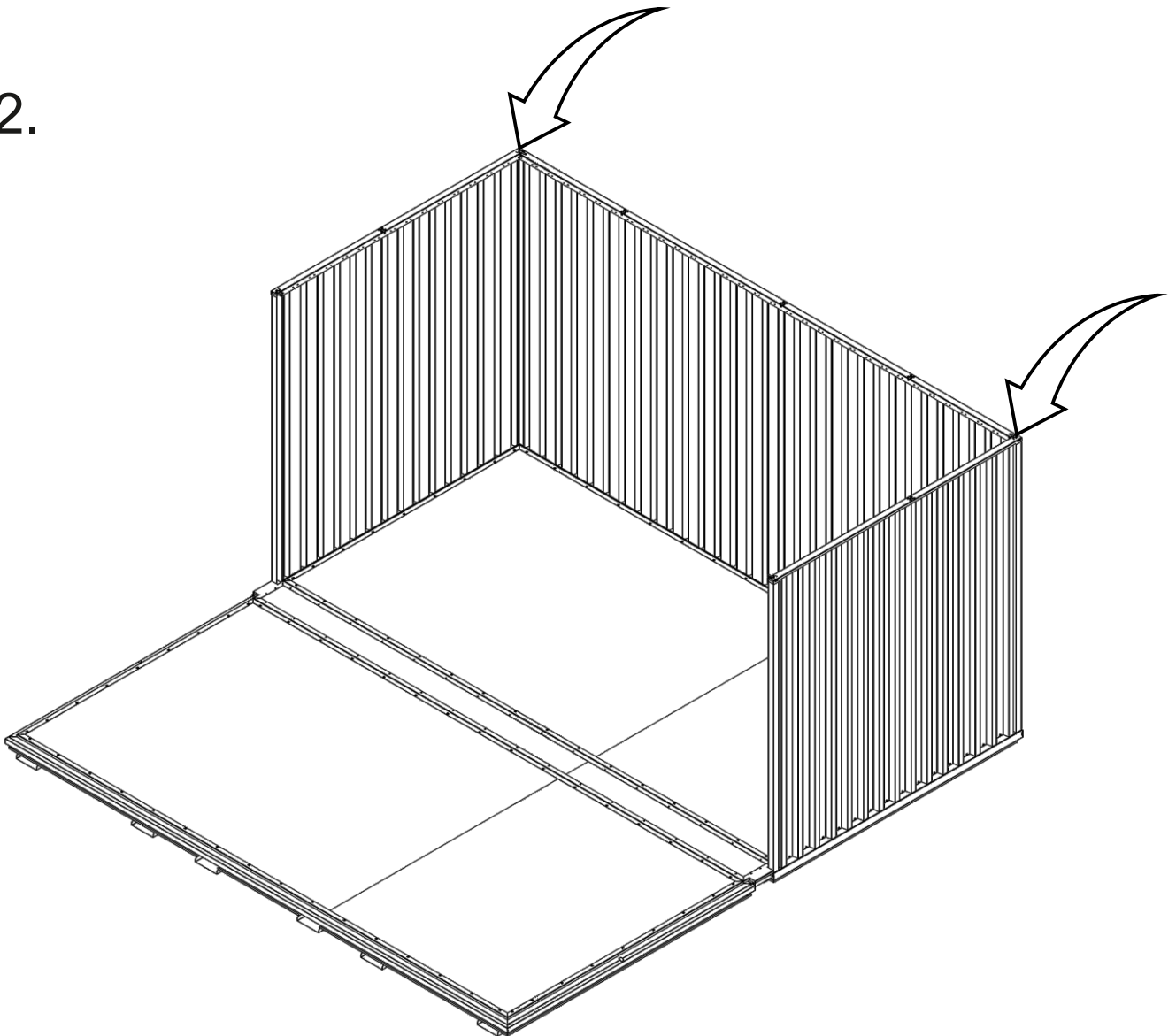


3.1.

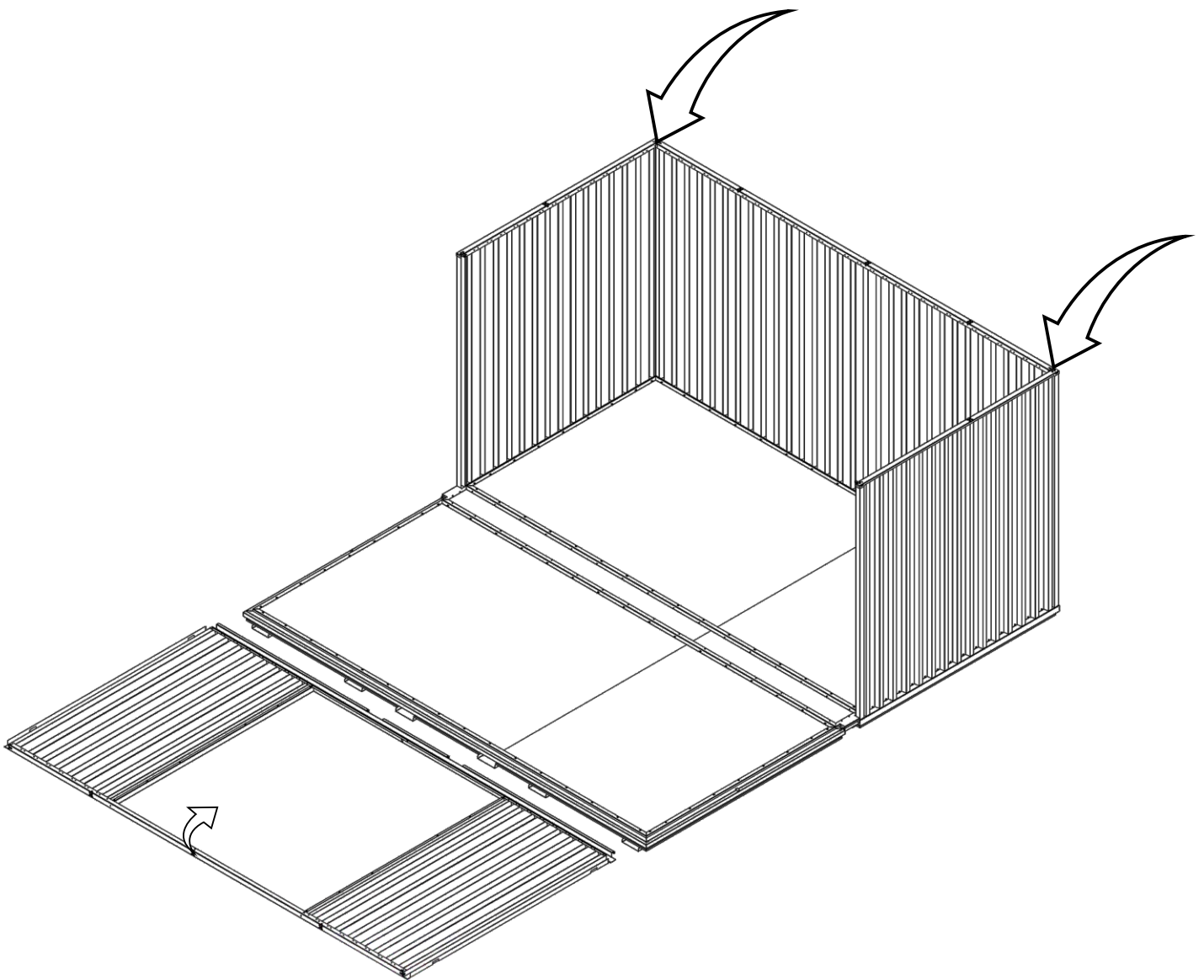
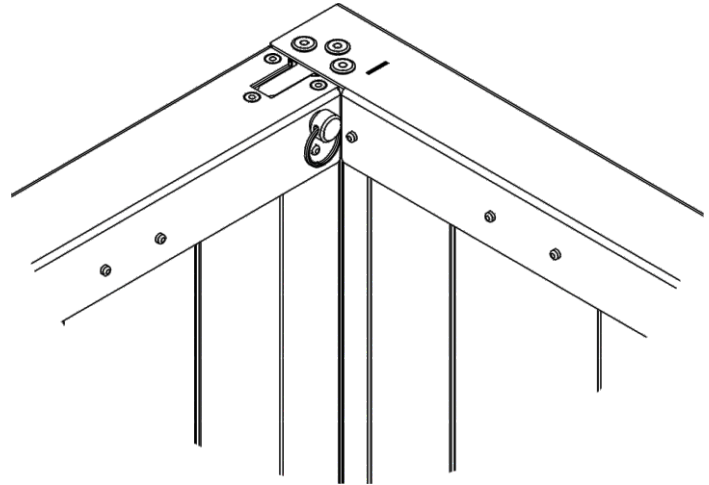
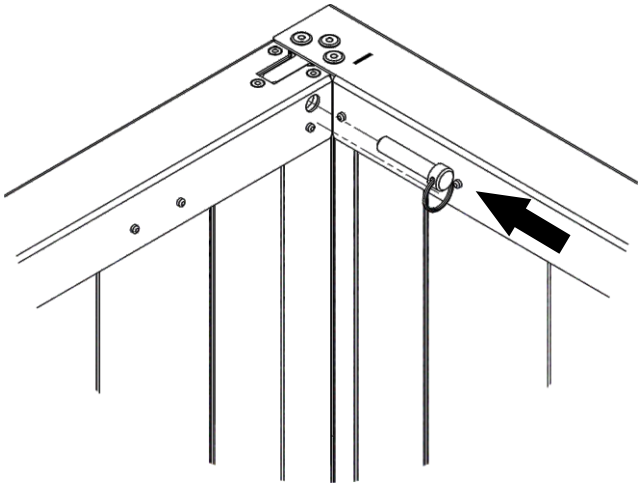




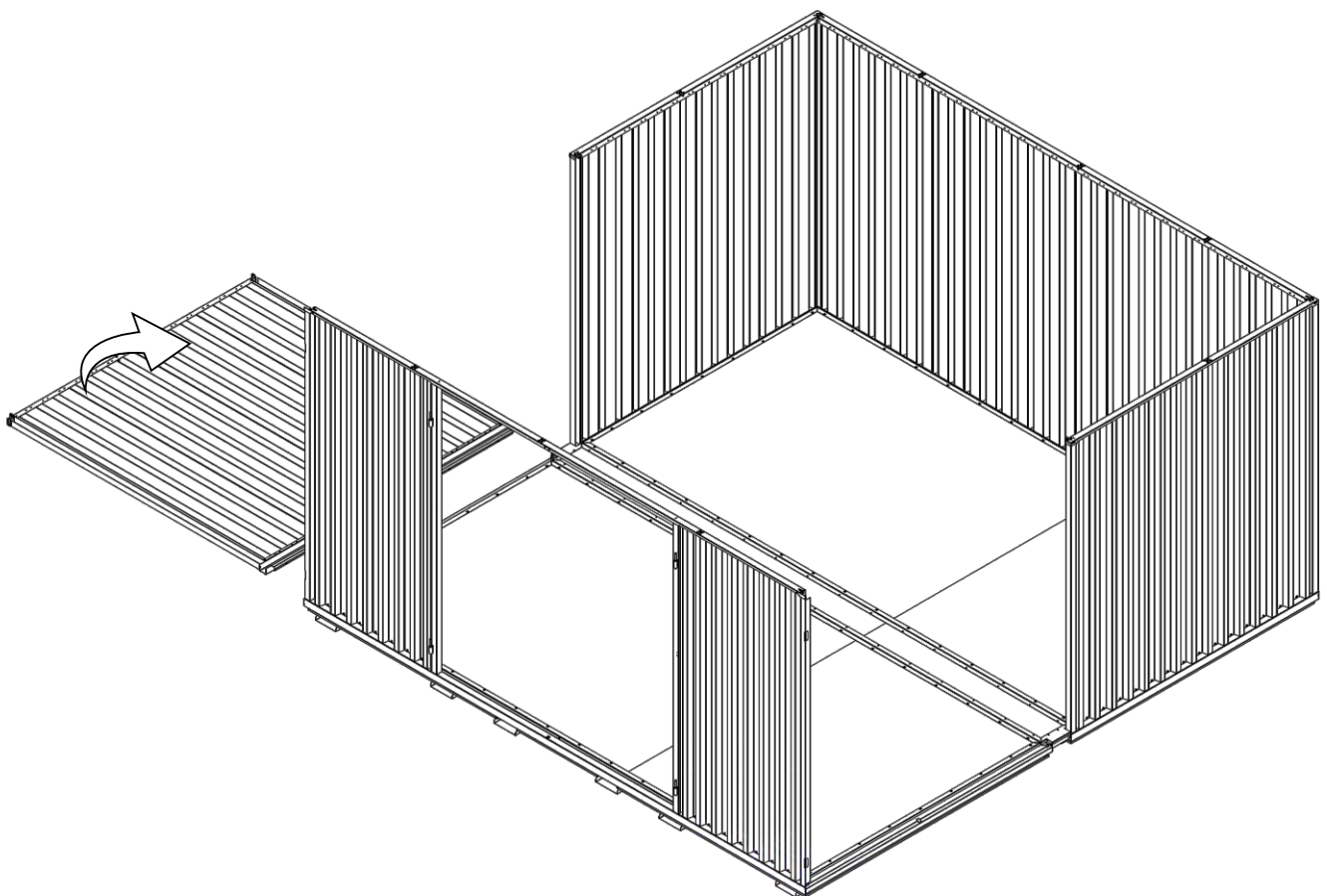
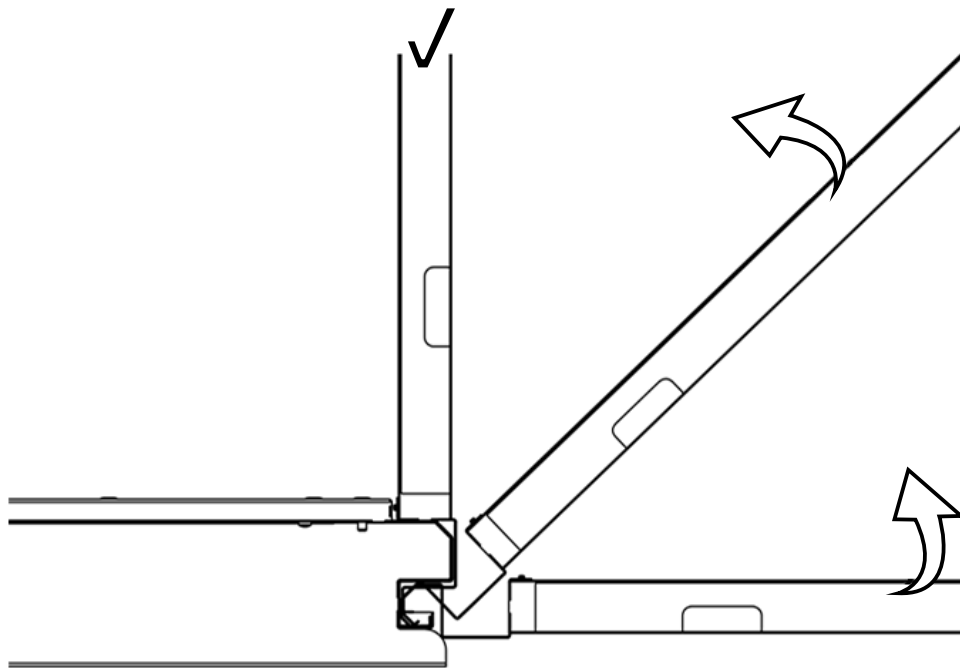
3.2.



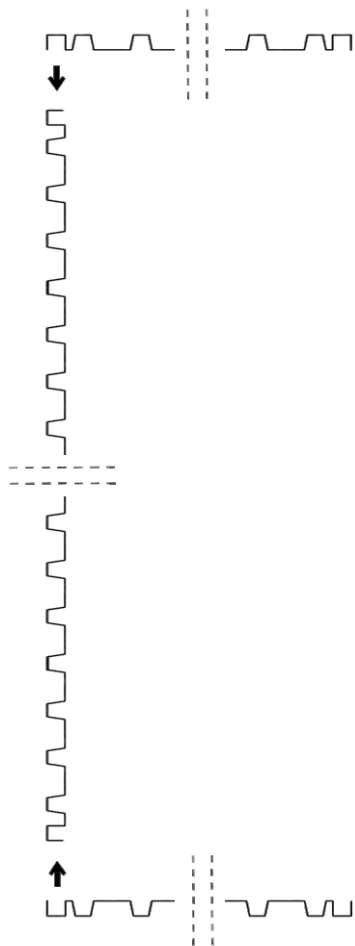
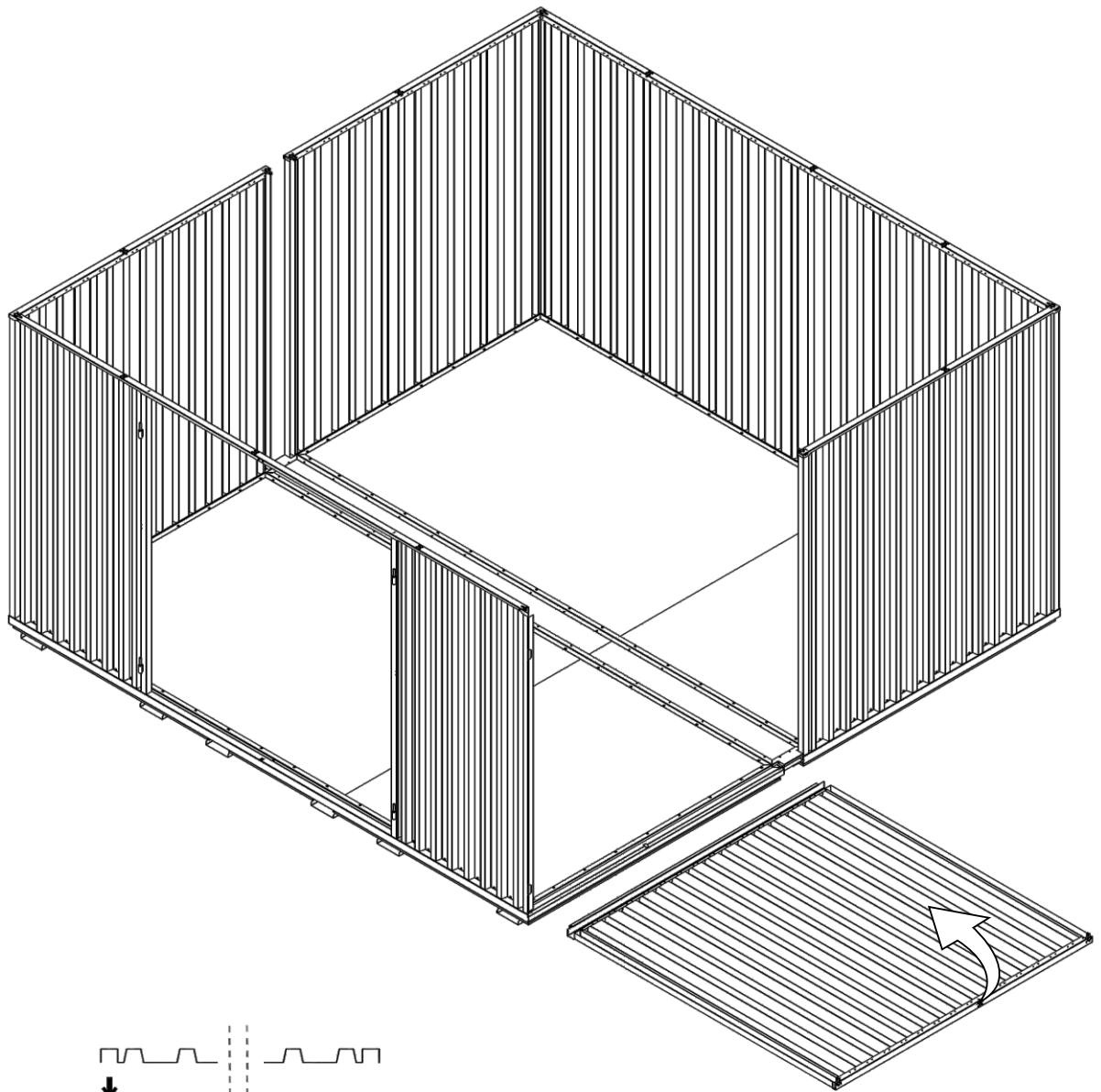
3.3.

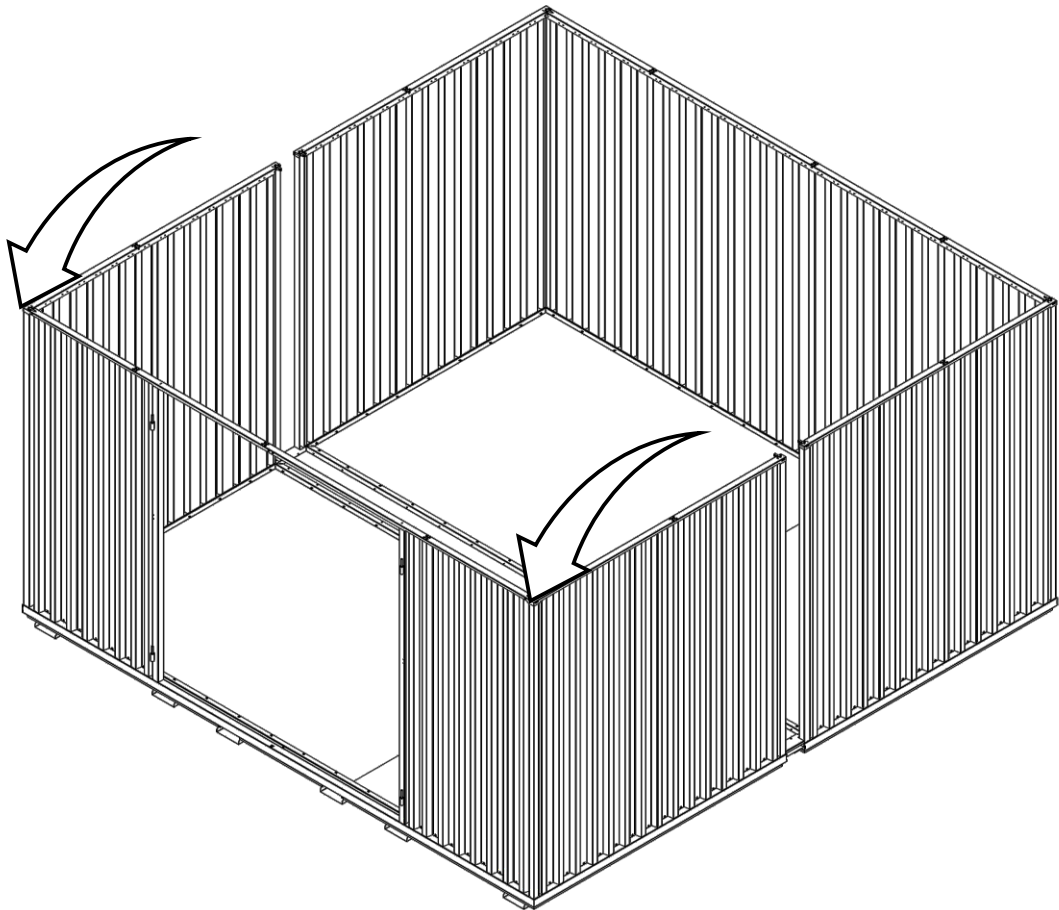
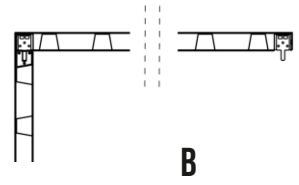
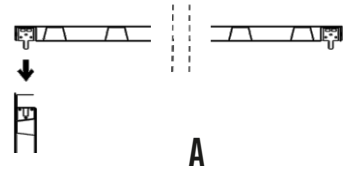
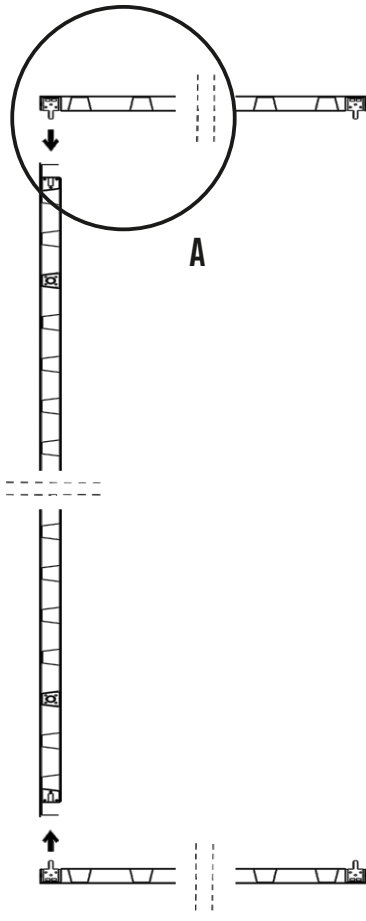
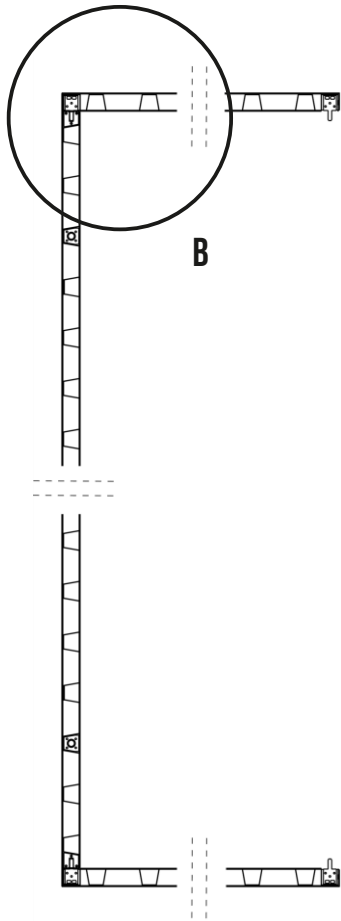


4.1.

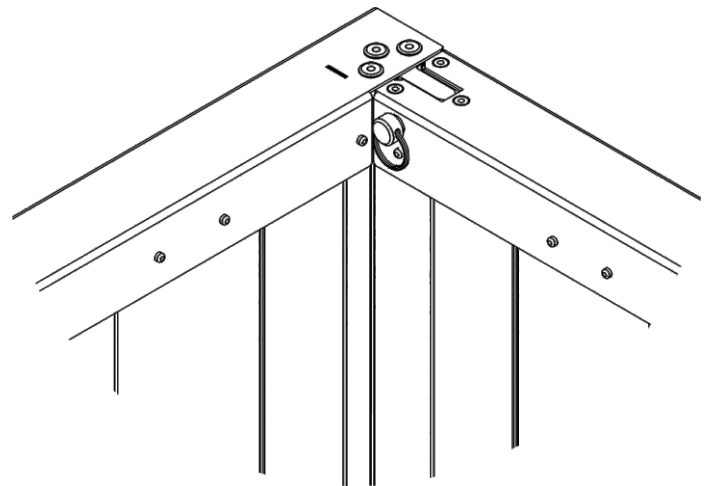
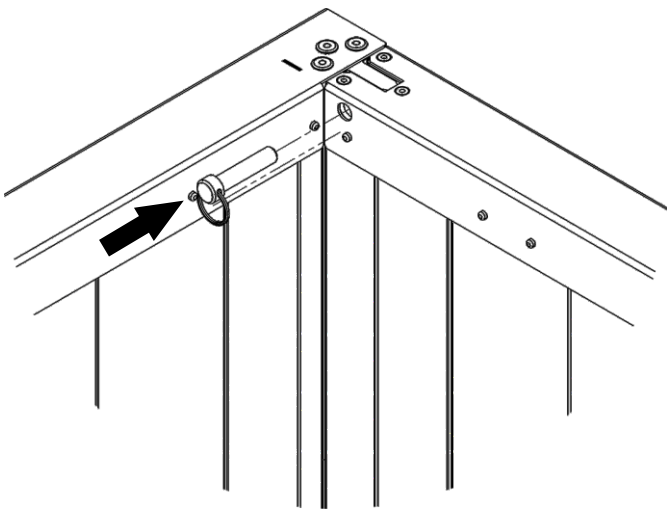
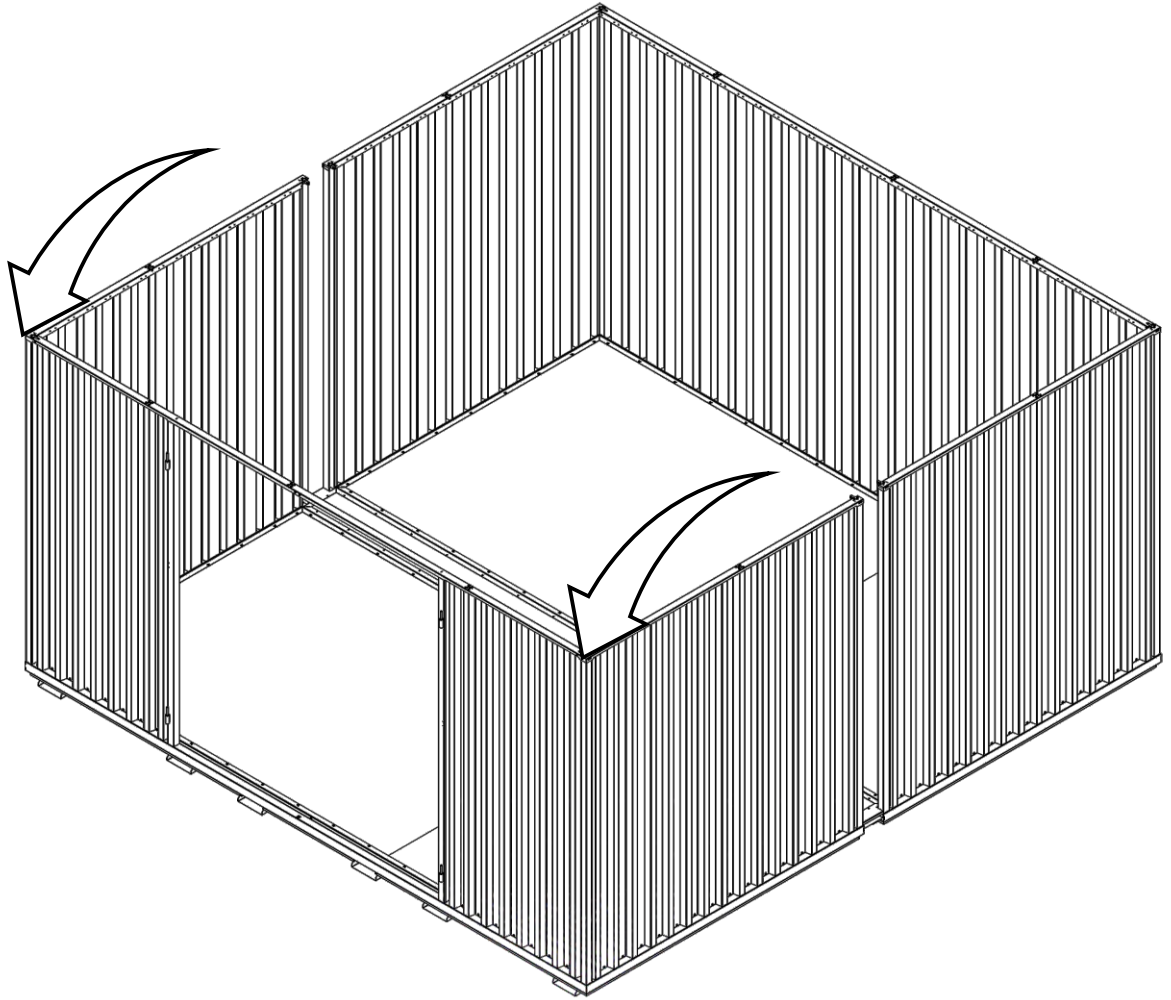


5.1.

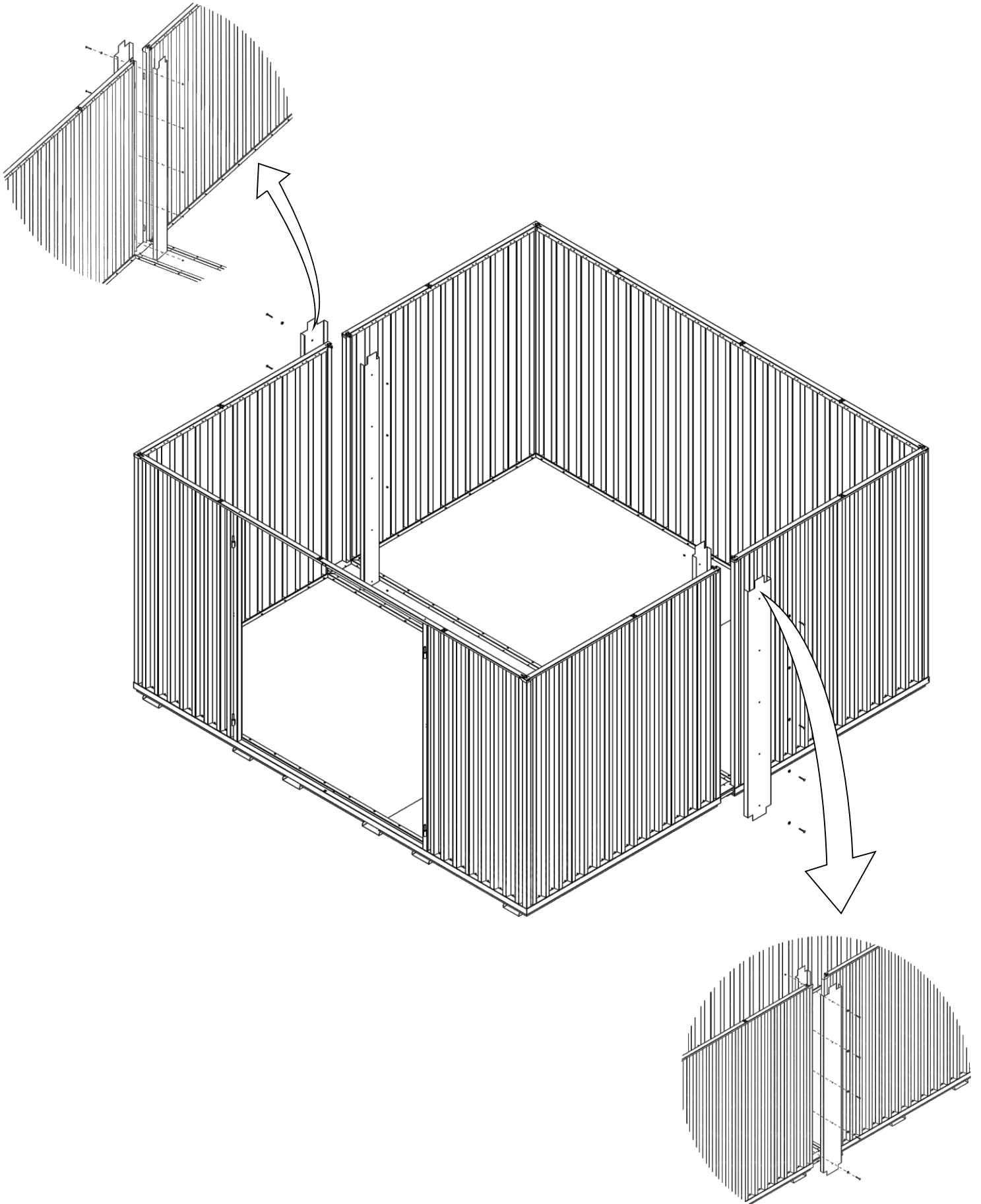




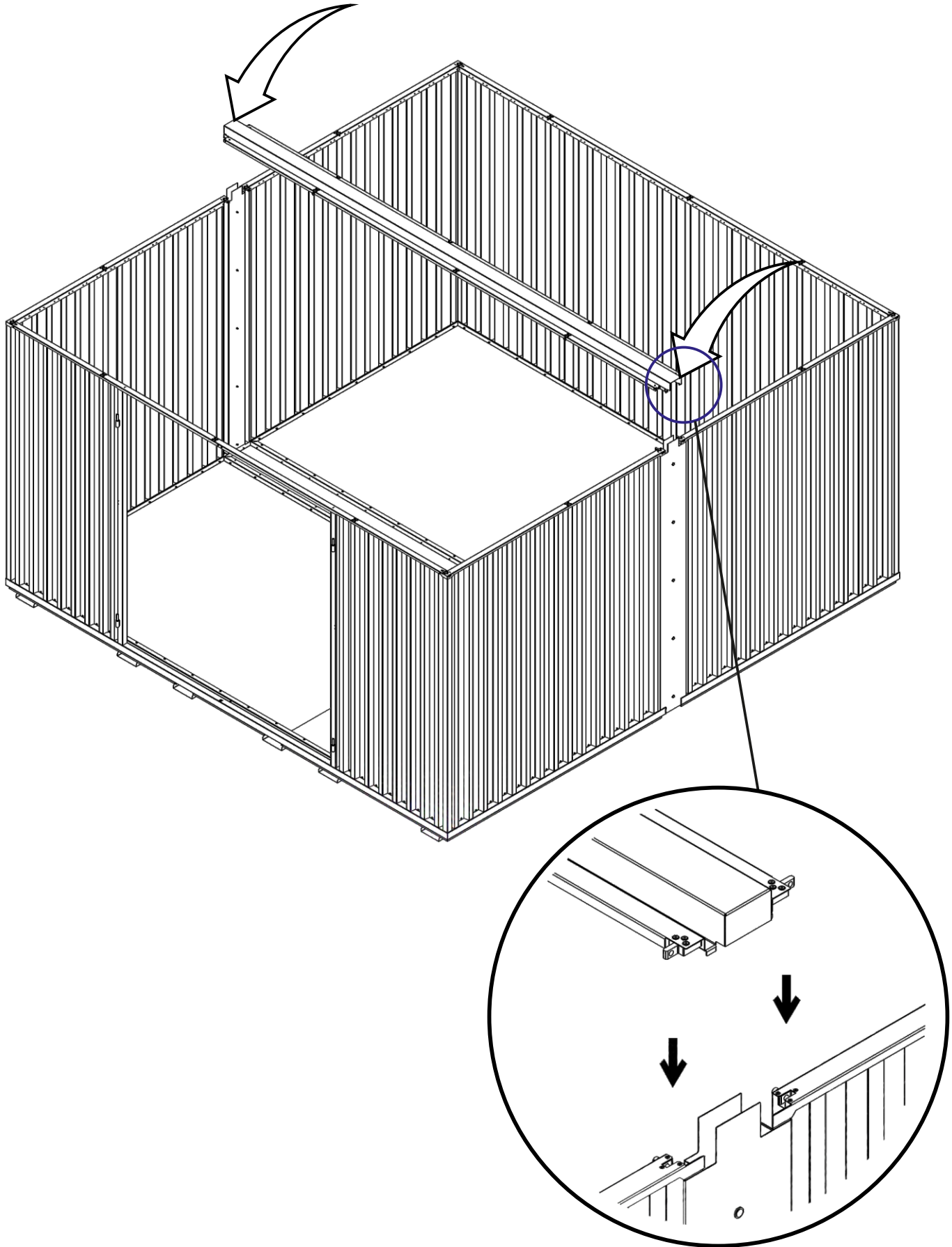
5.2.



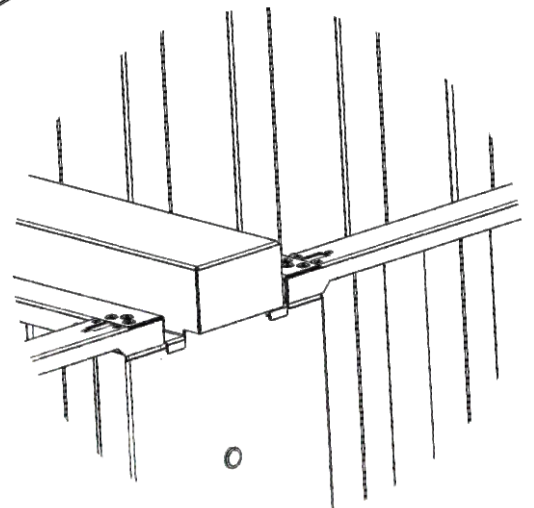
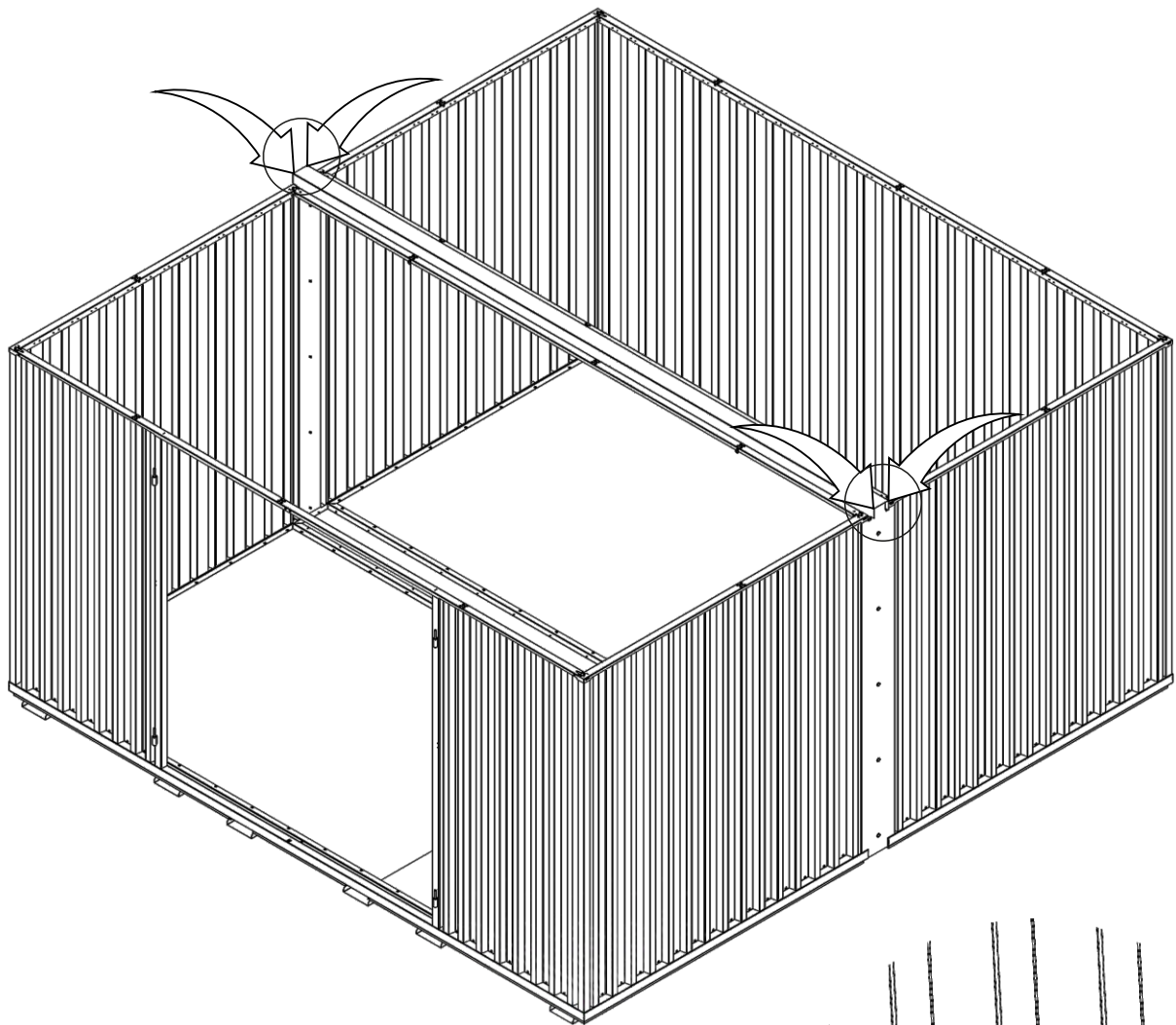
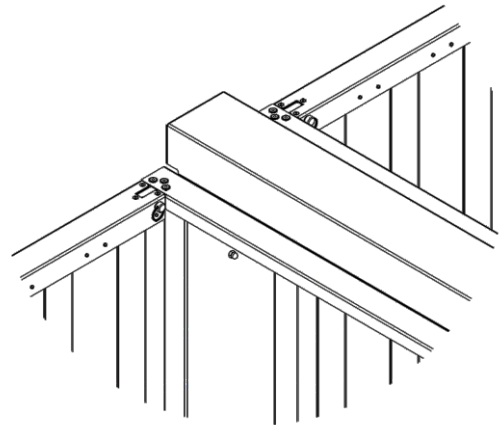
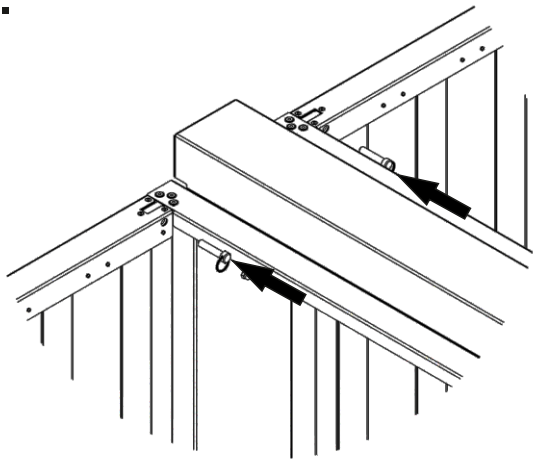
7.1.











8.1.

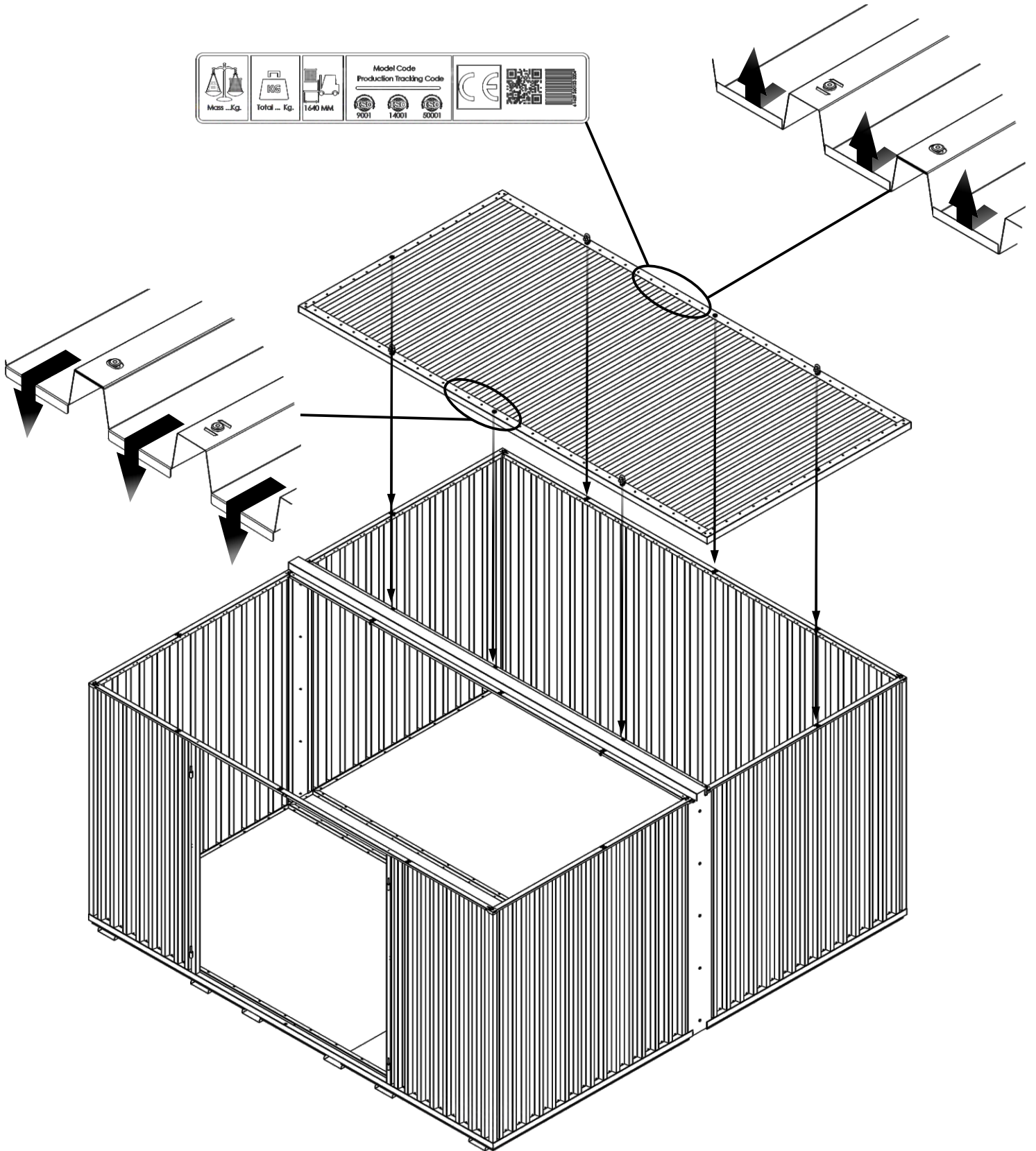


8.2.

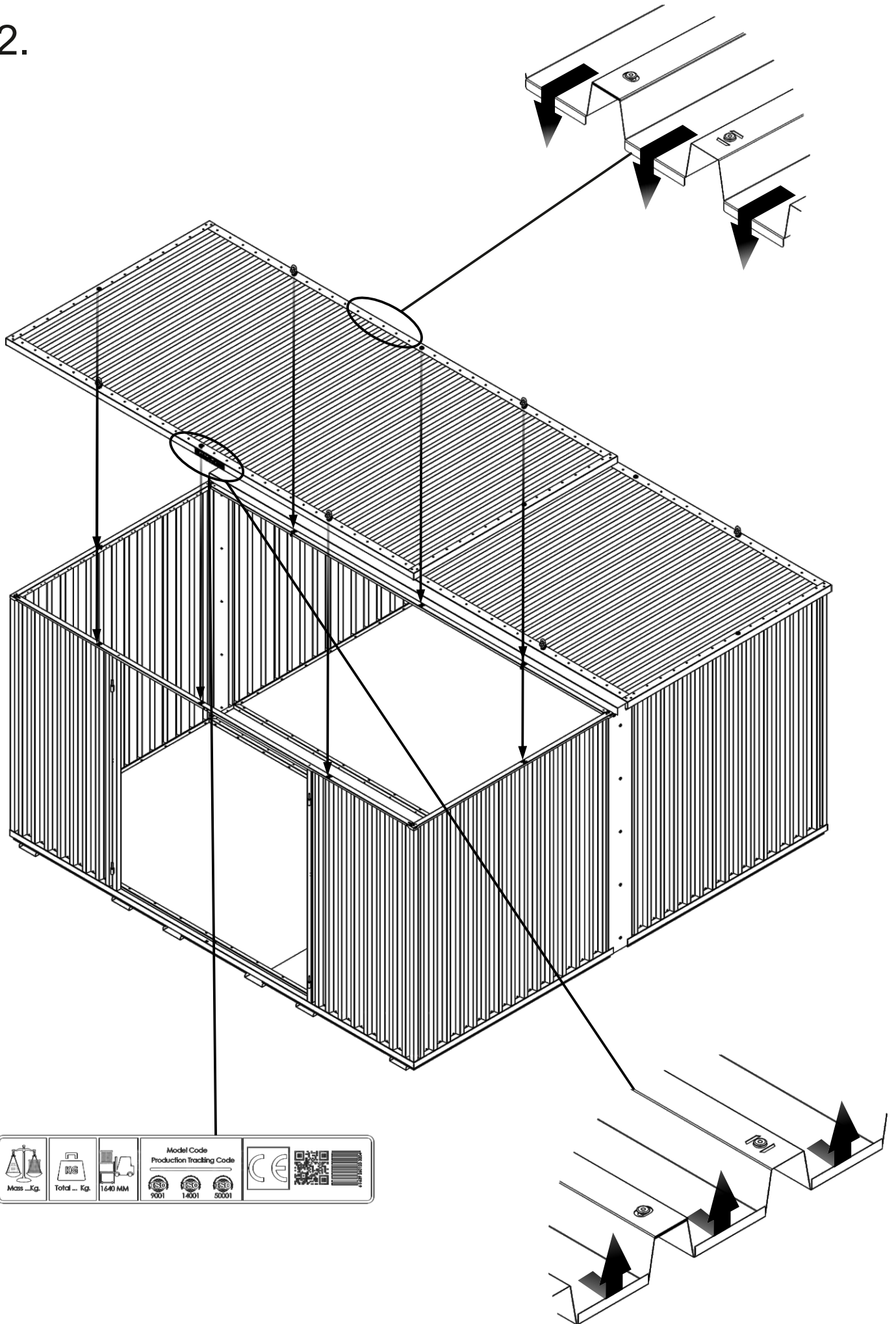


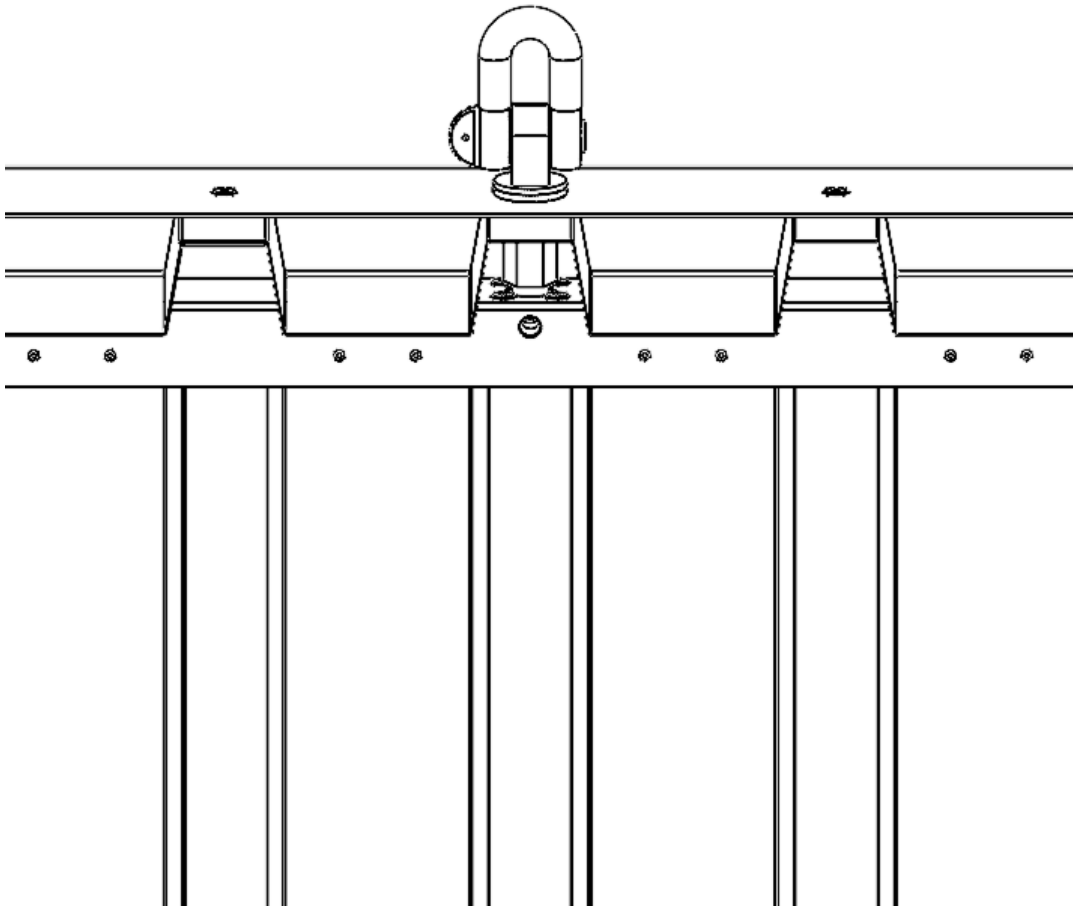
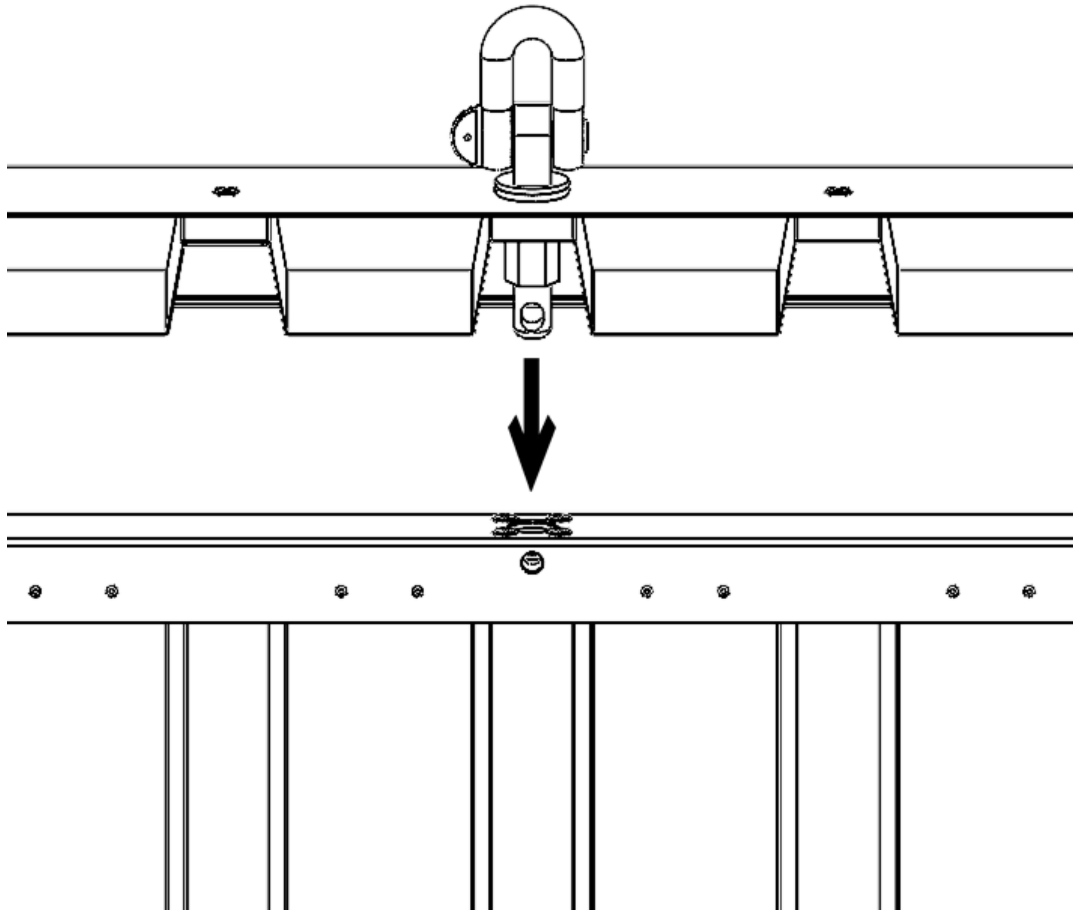
9.1.

 Mass ...Kg.	 Total ... Kg.	 1640 MM	Model Code Production Tracking Code  9001  14001  50001		
--	--	--	--	---	---

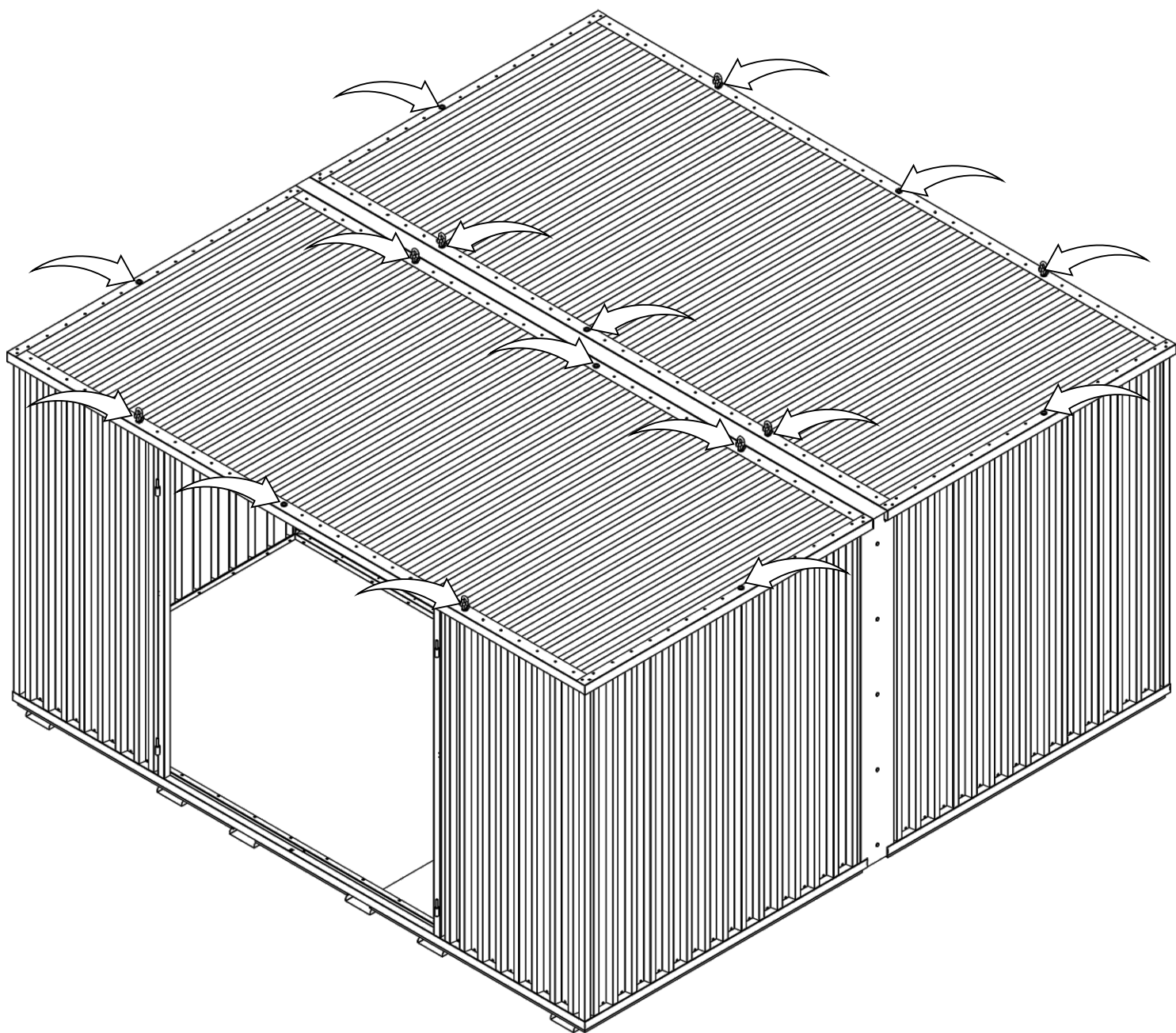


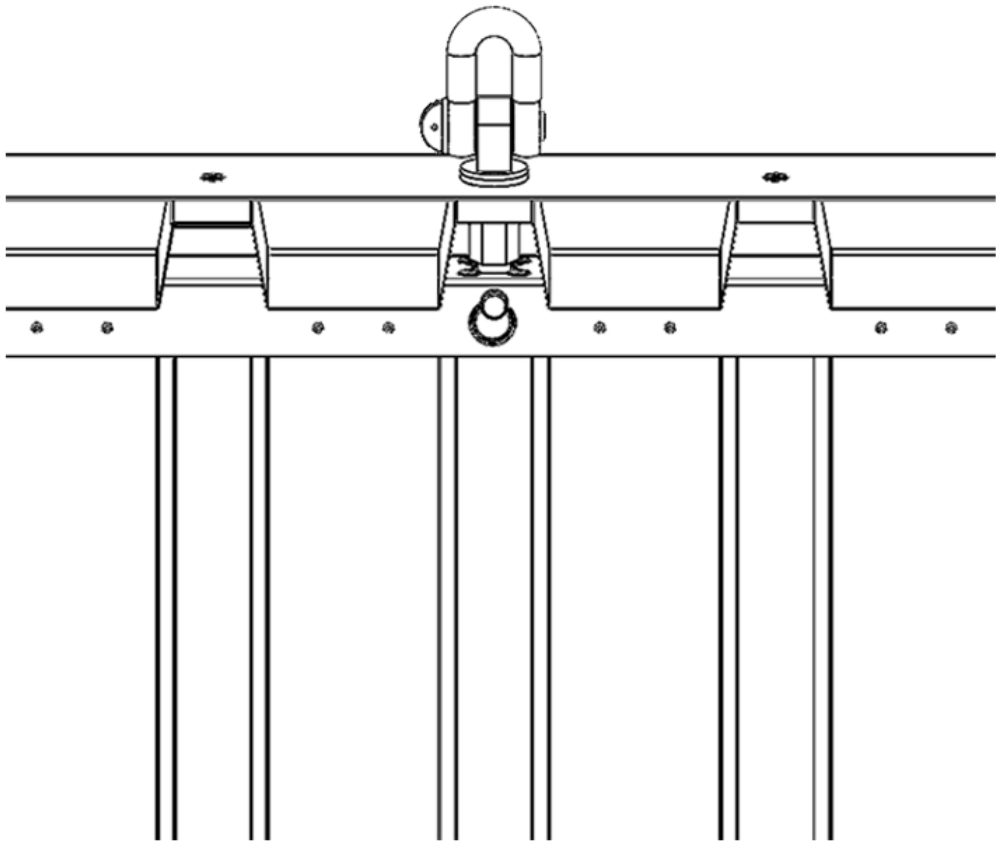
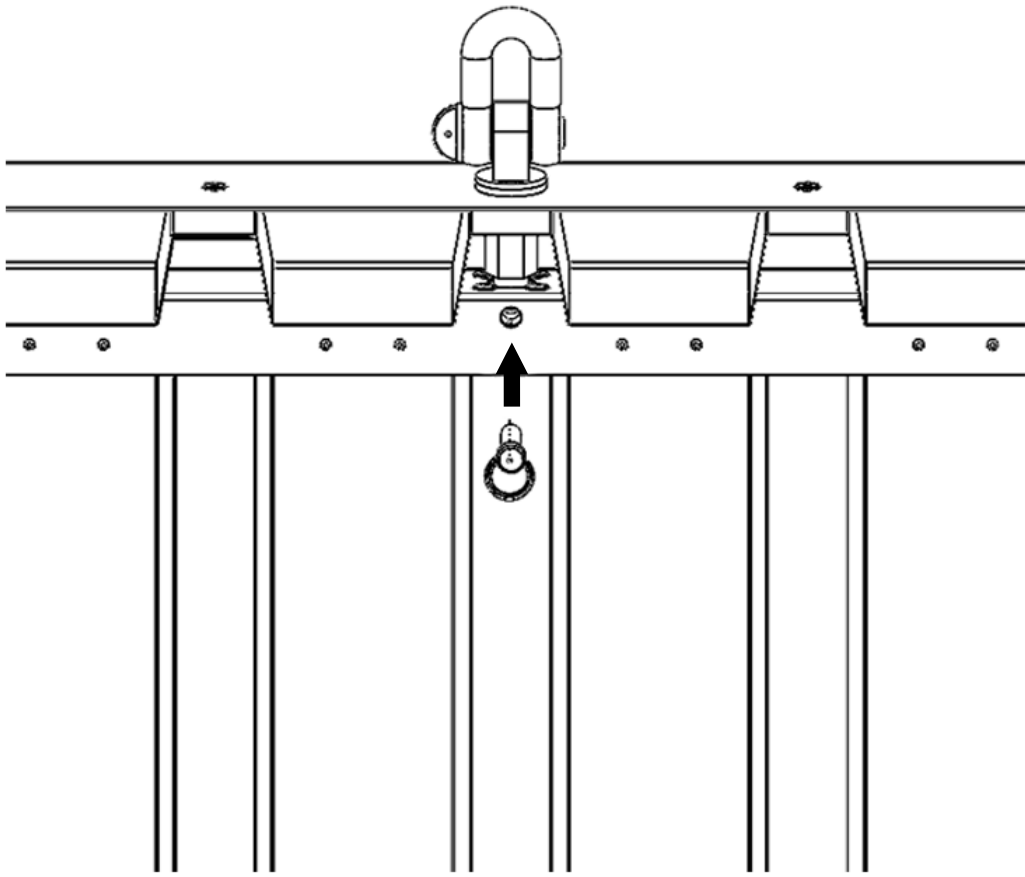
9.2.



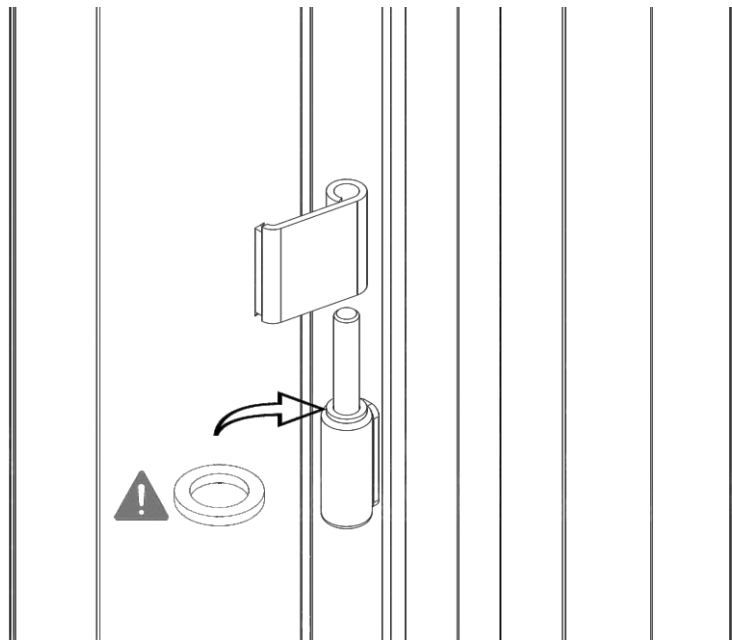
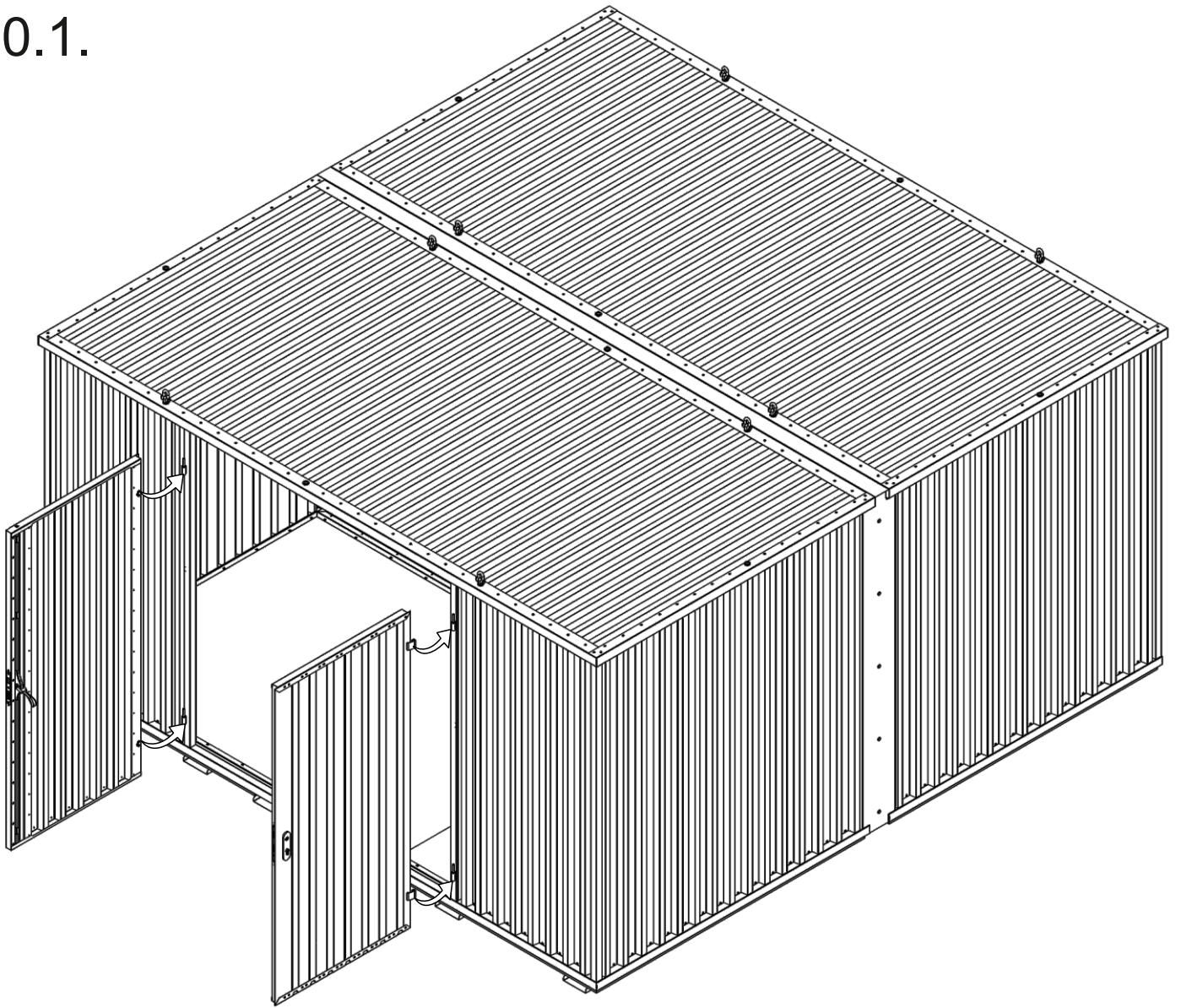


9.4.

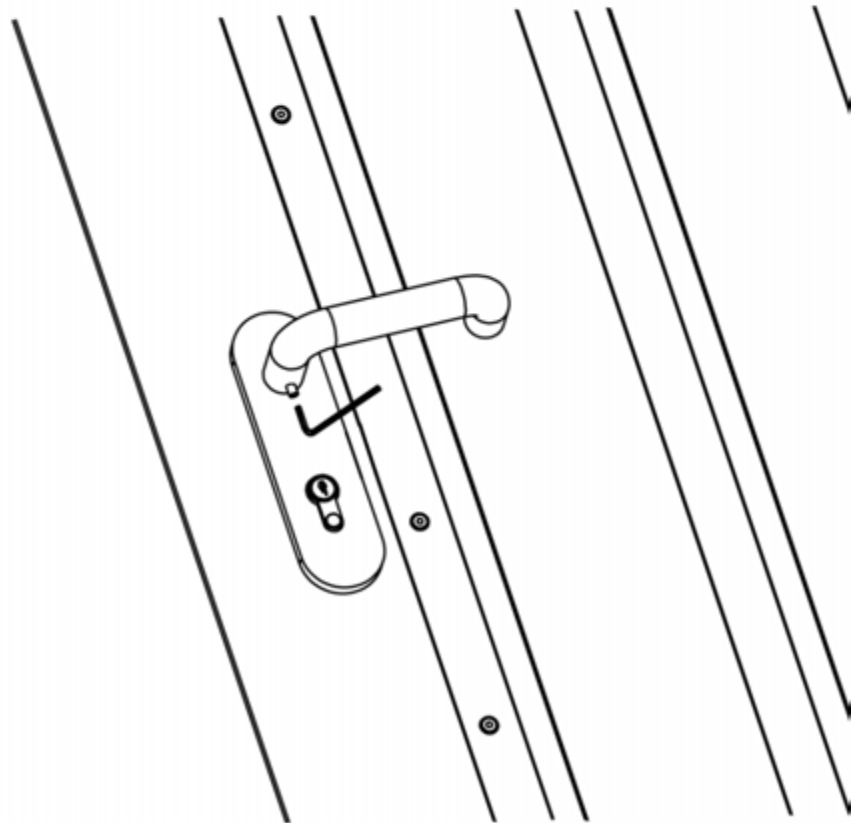
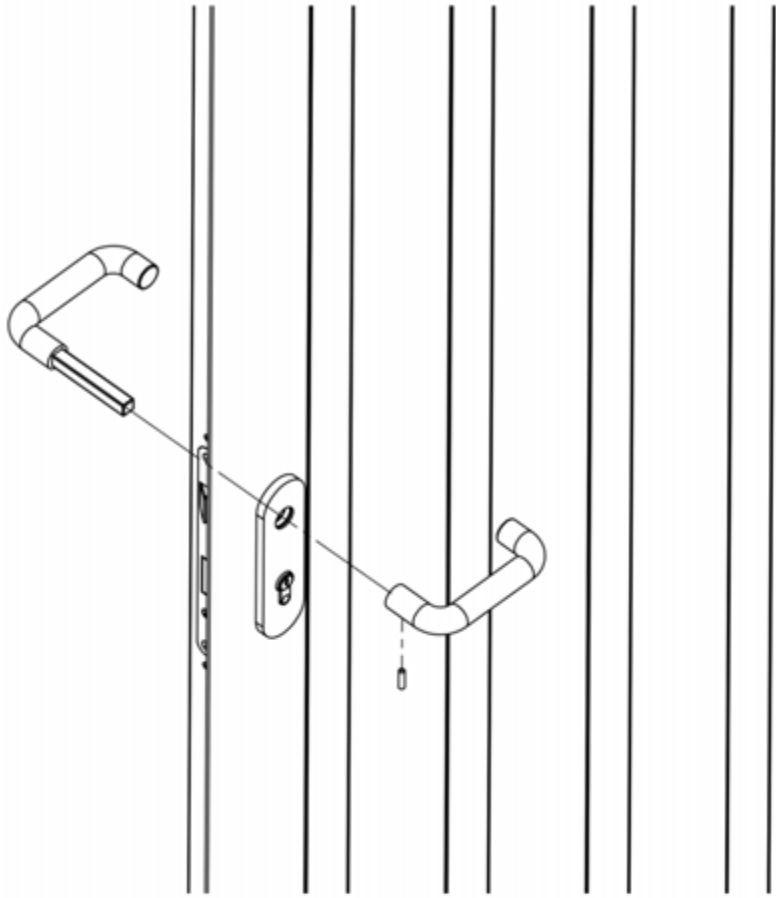




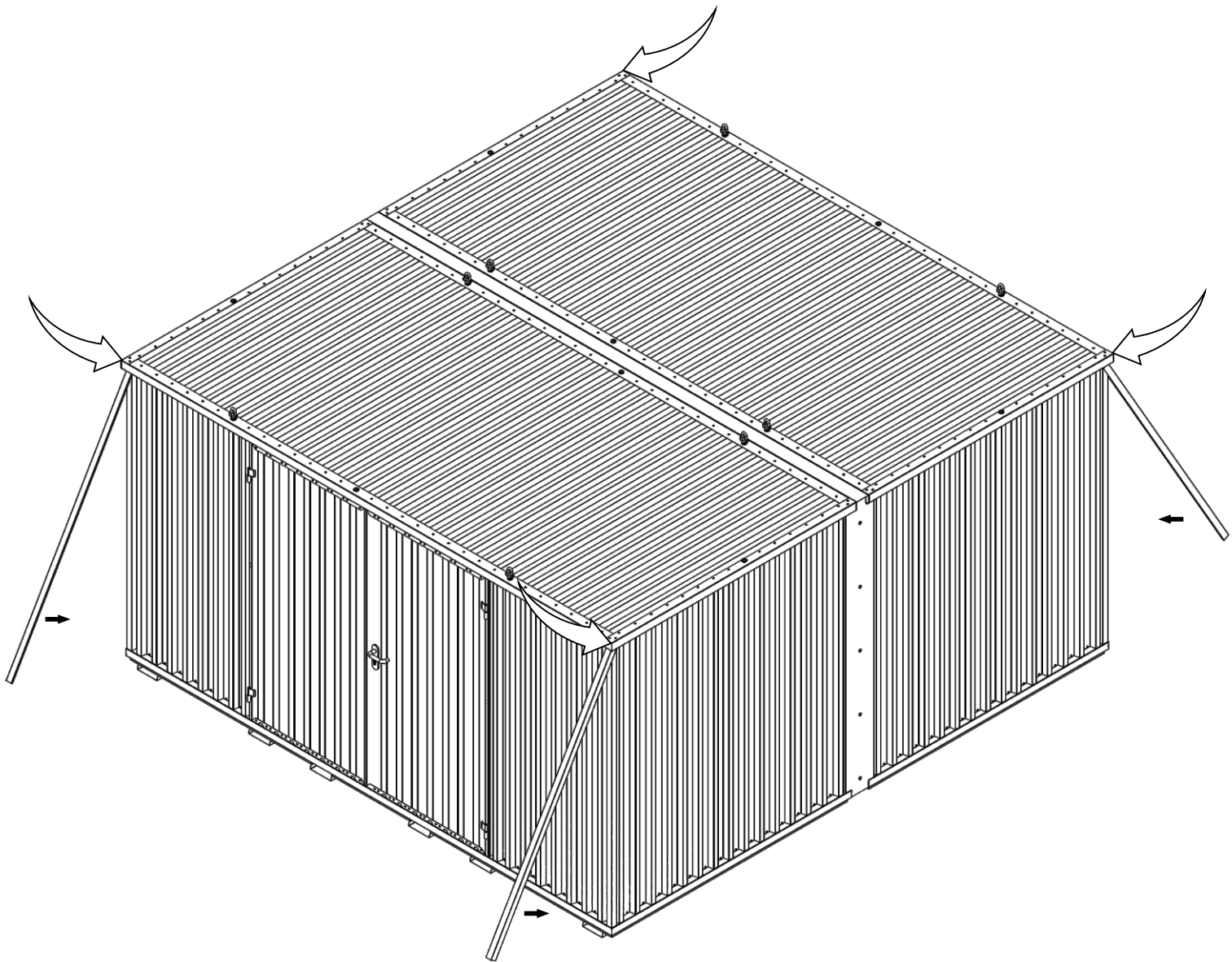
10.1.



10.2.



11.1.



12.1.

