



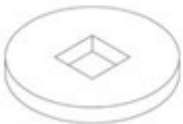

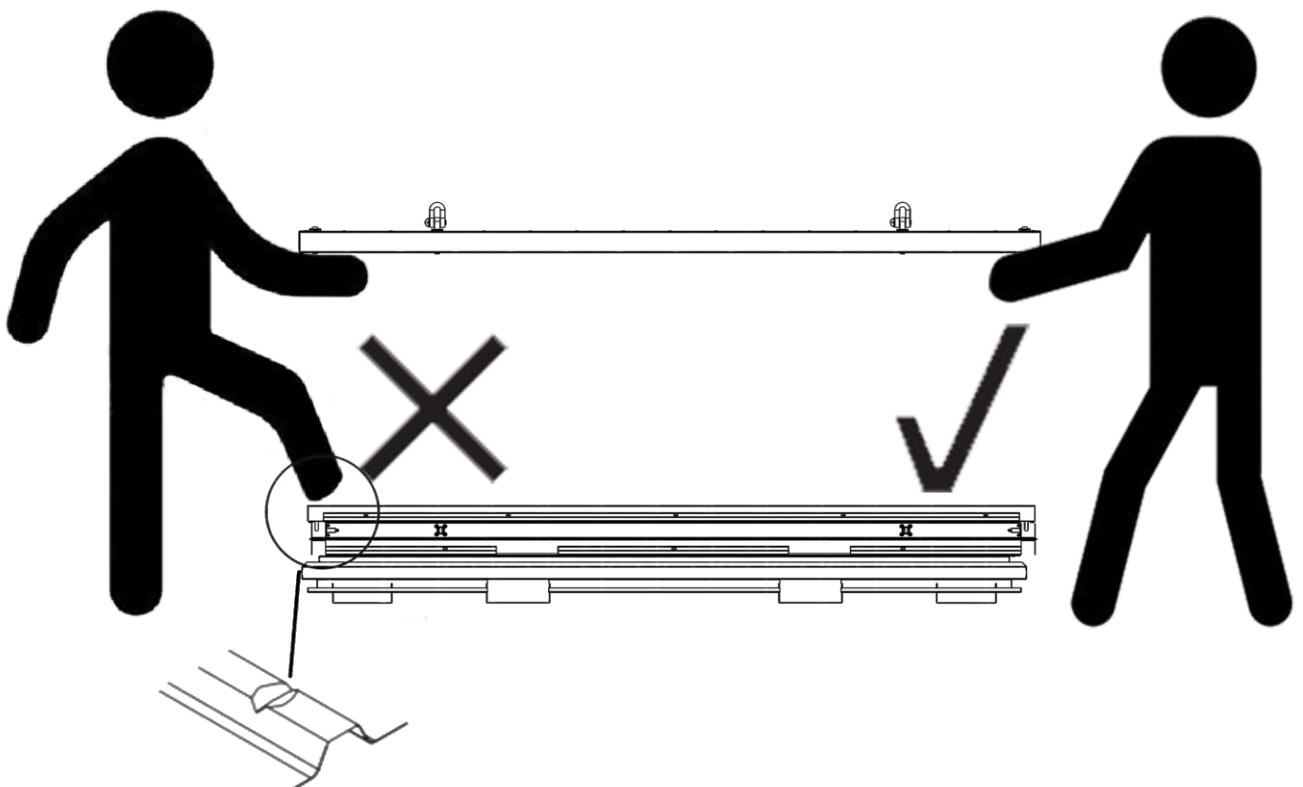
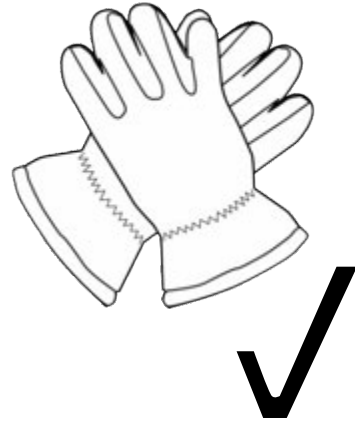


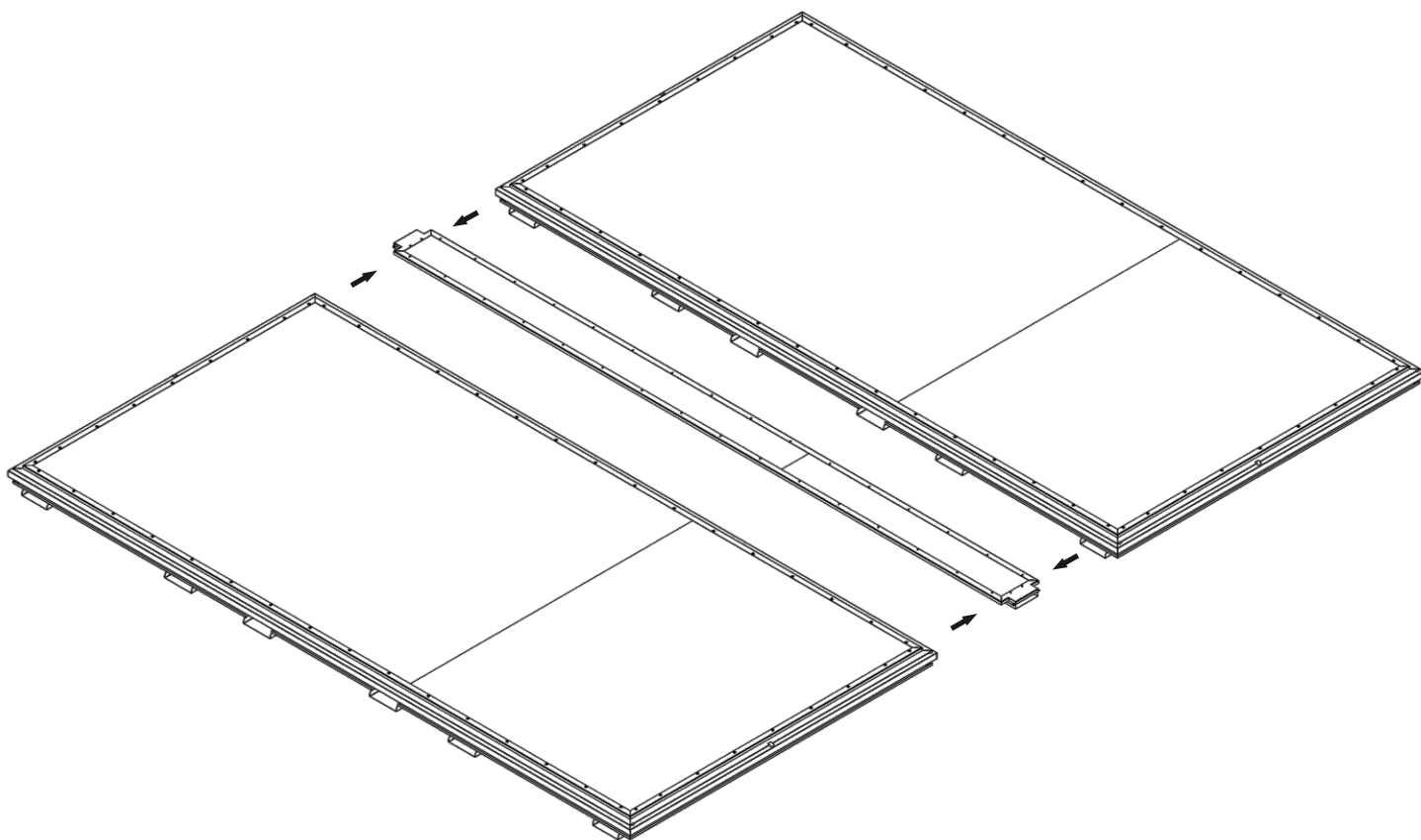
# PRODUCT CODE :404.110.420



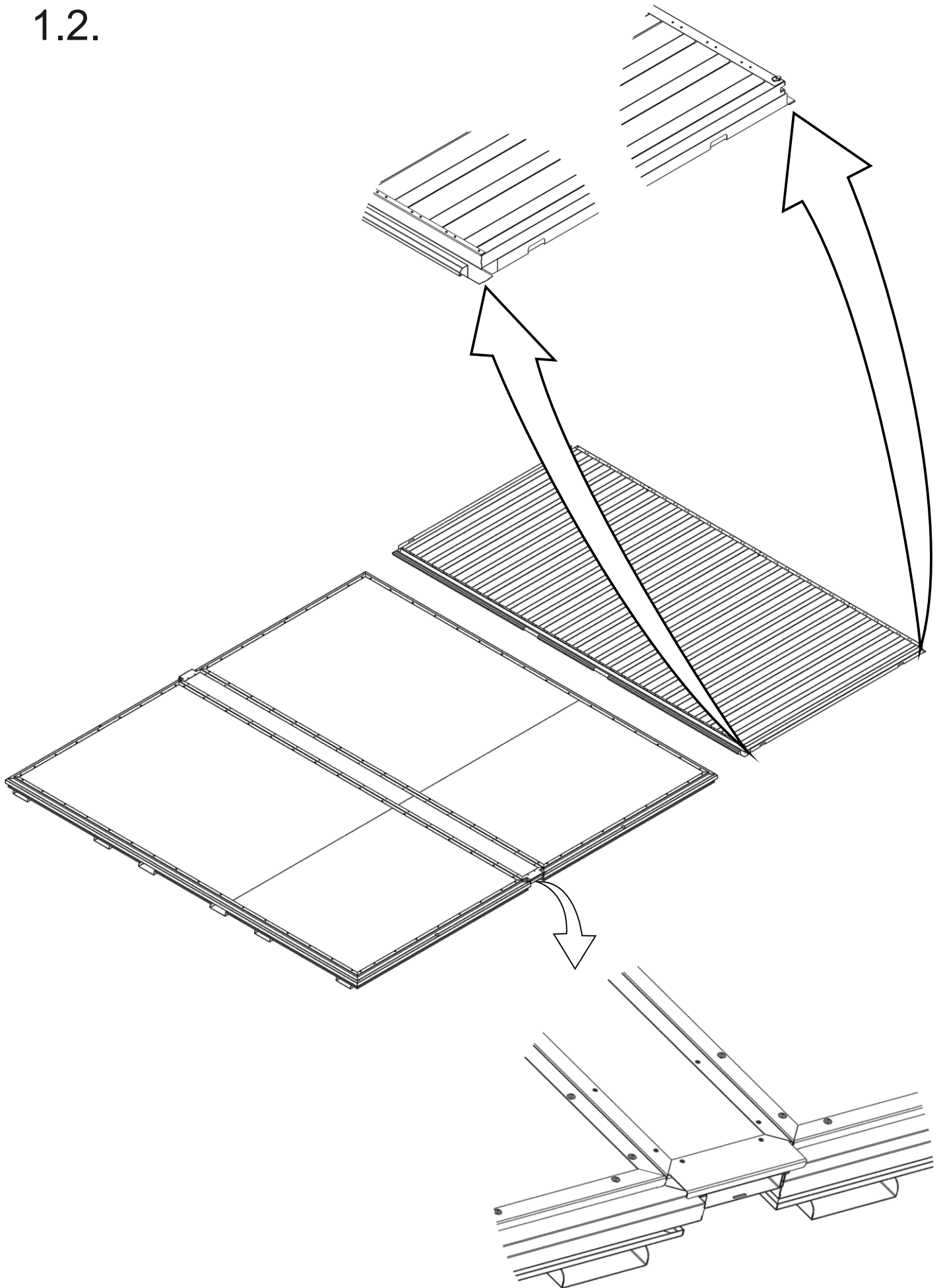
|   |         |
|---|---------|
|   | 24 pcs. |
|  | 1 pcs.  |
|  | 1 pcs.  |
|  | 10 pcs. |
|  | 10 pcs. |
|  | 10 pcs. |



1.1.

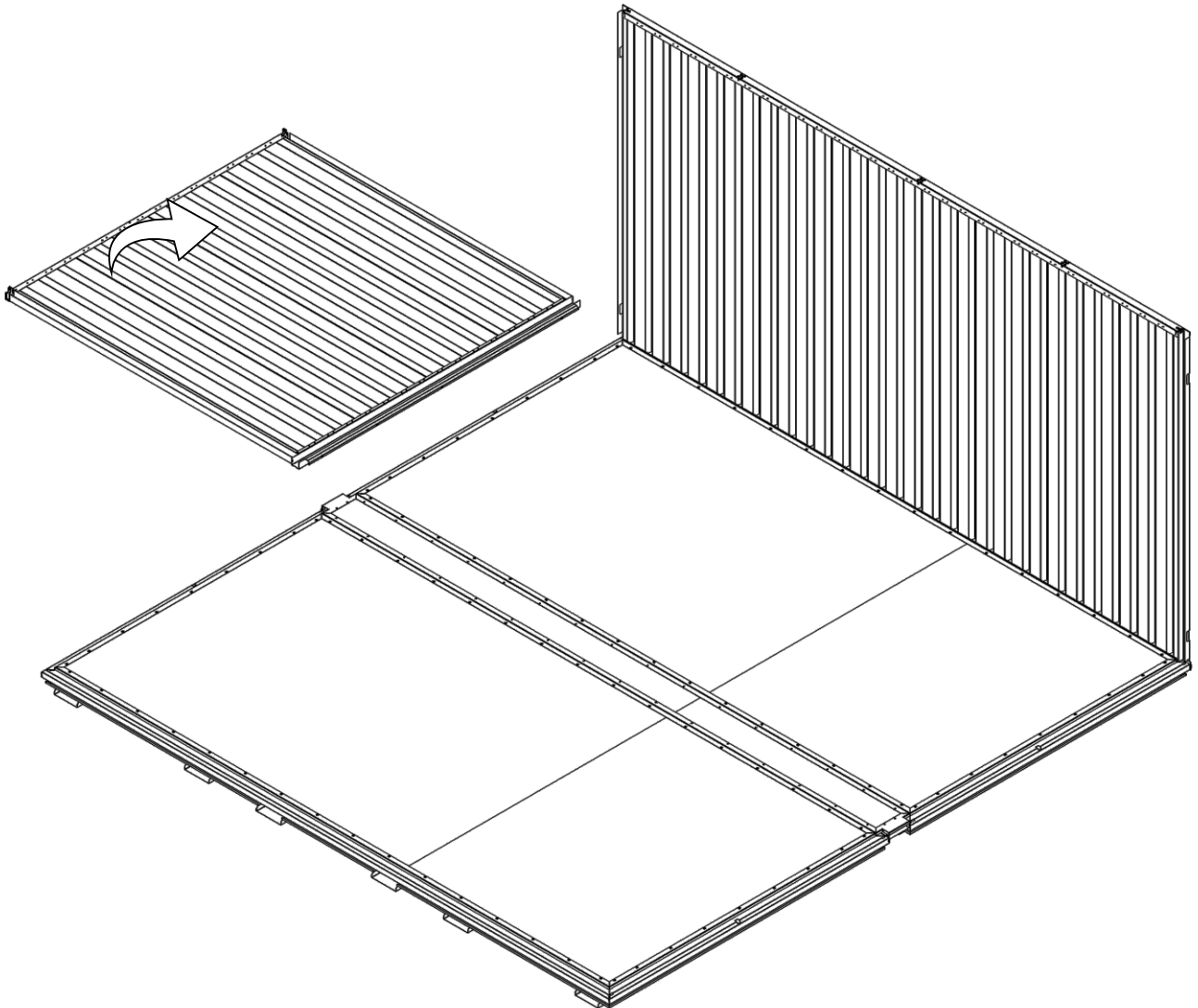


1.2.

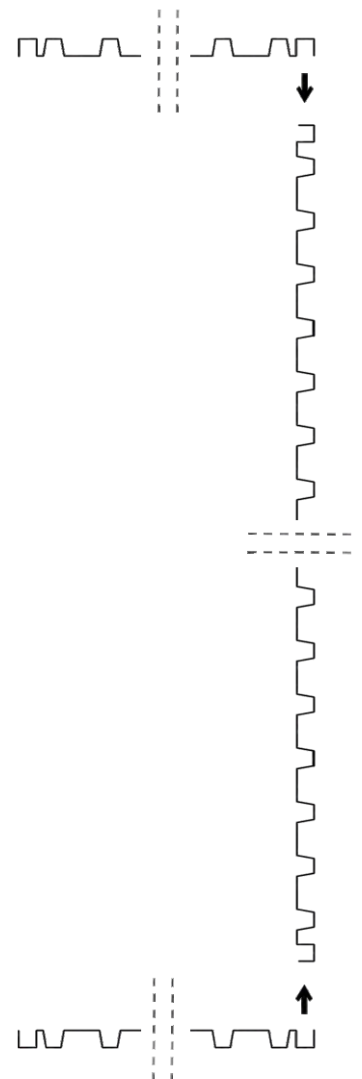
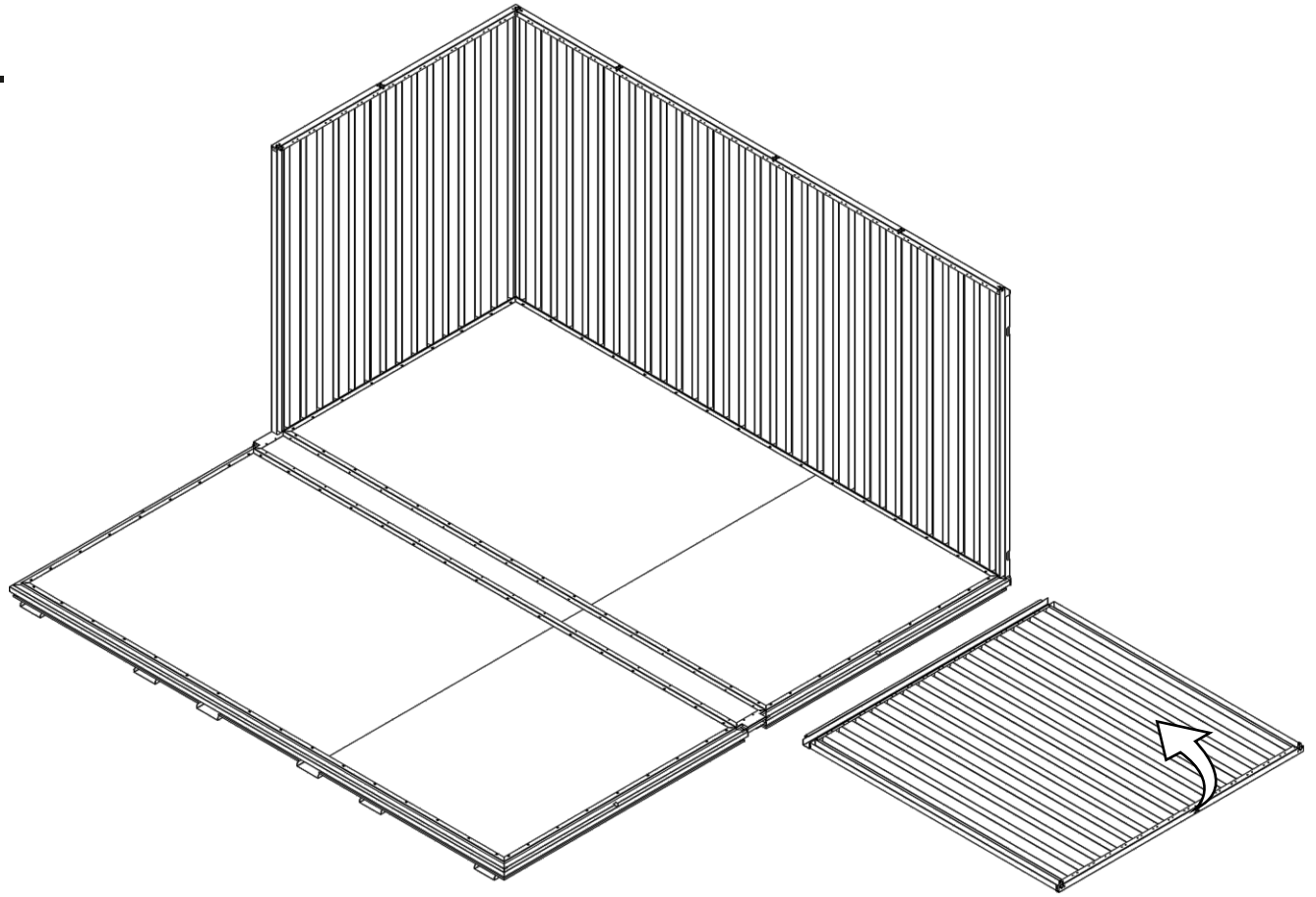


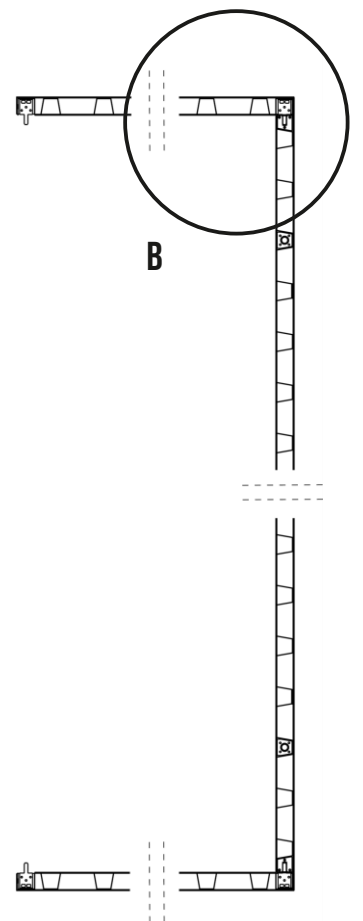
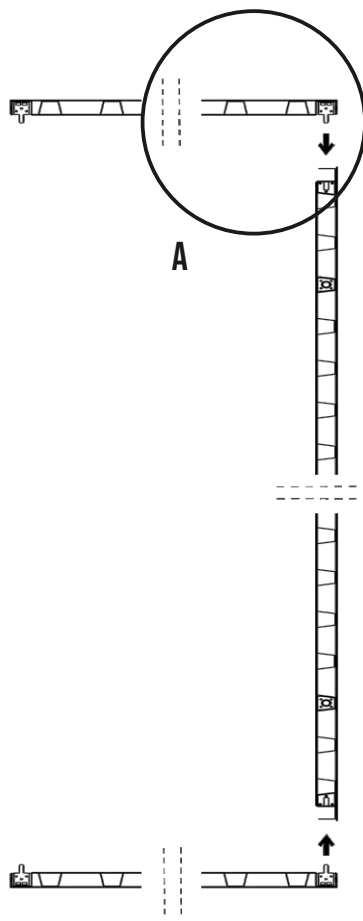
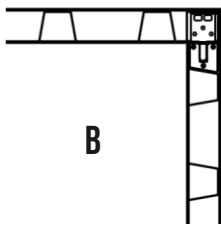
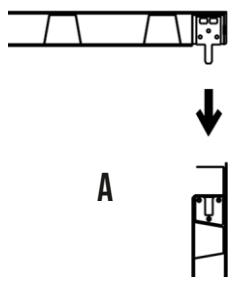


2.1.

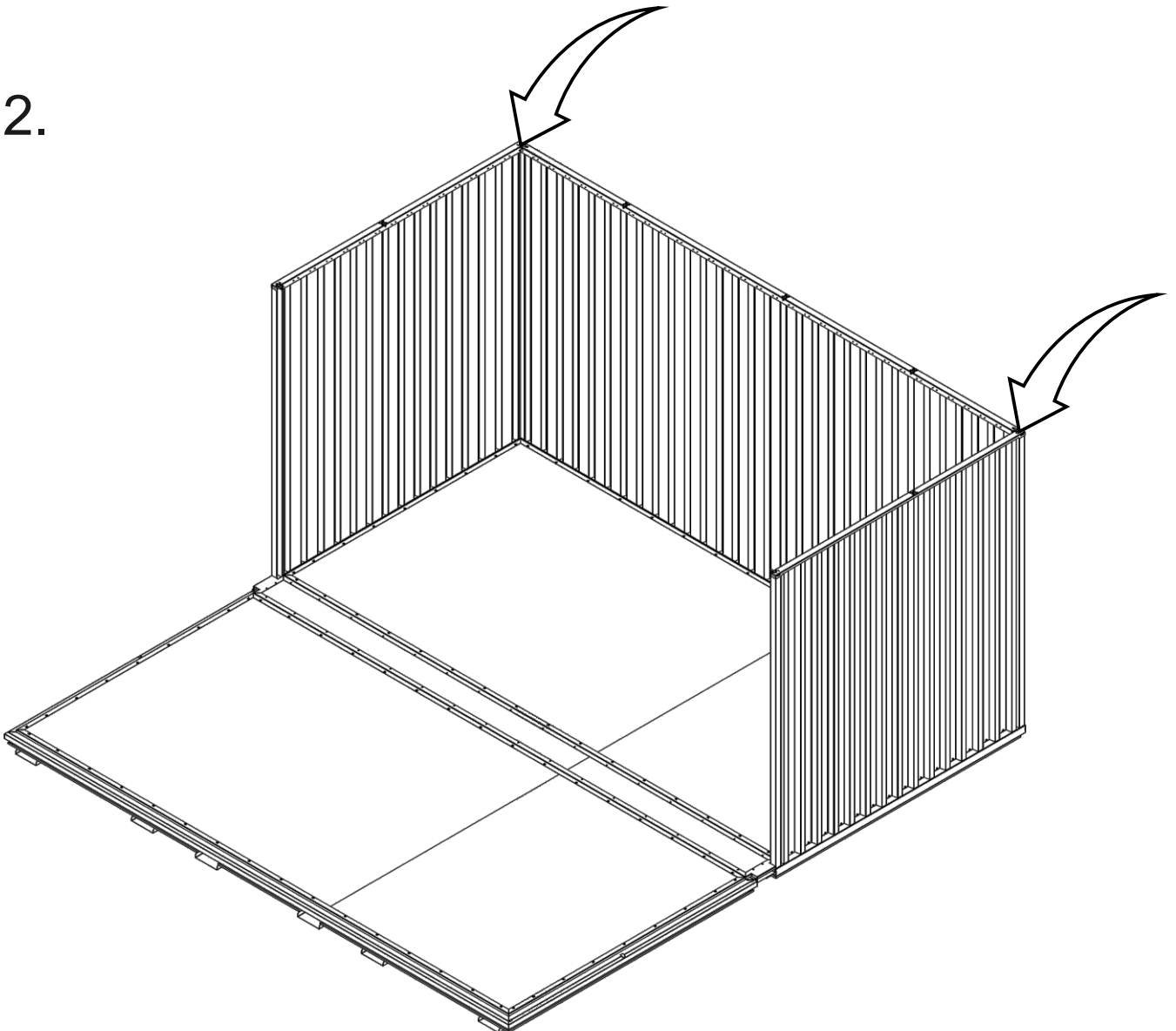


3.1.

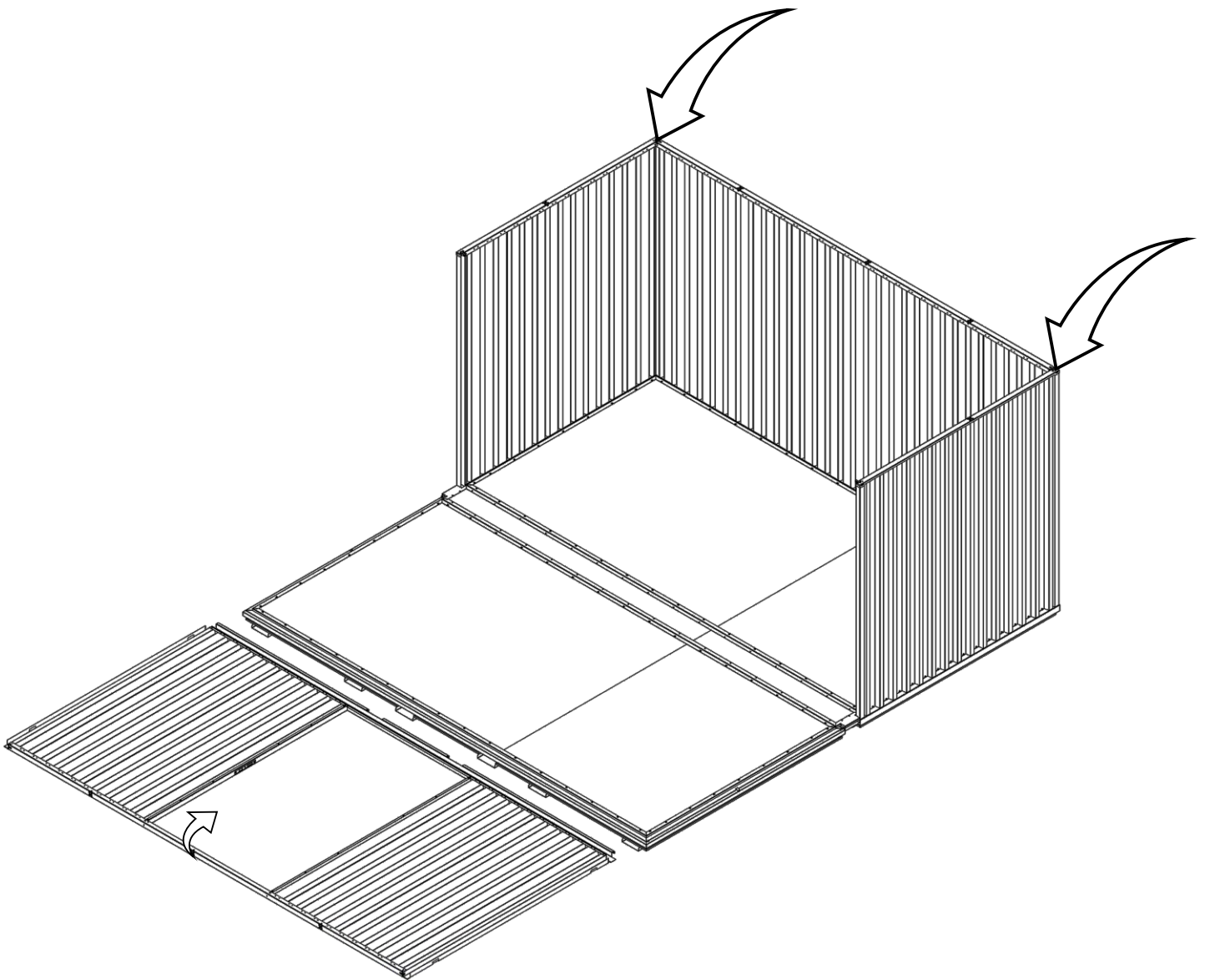
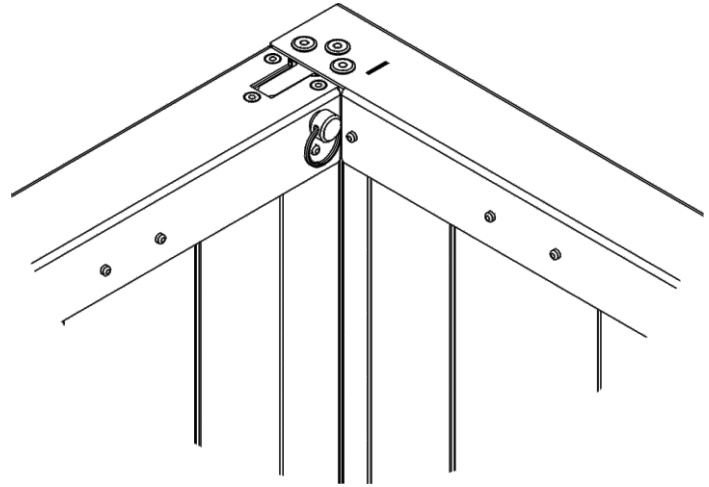
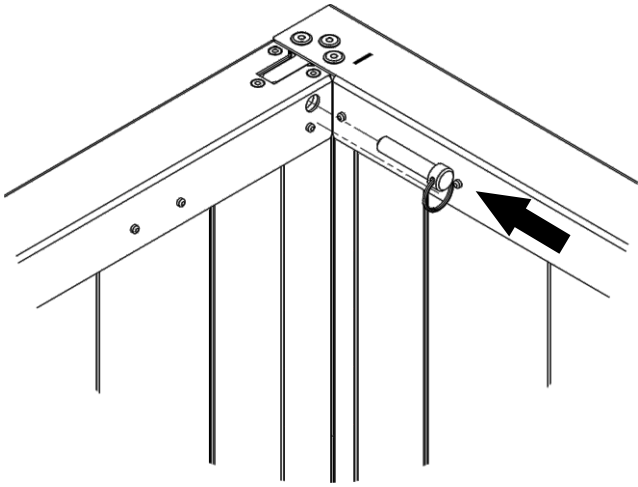




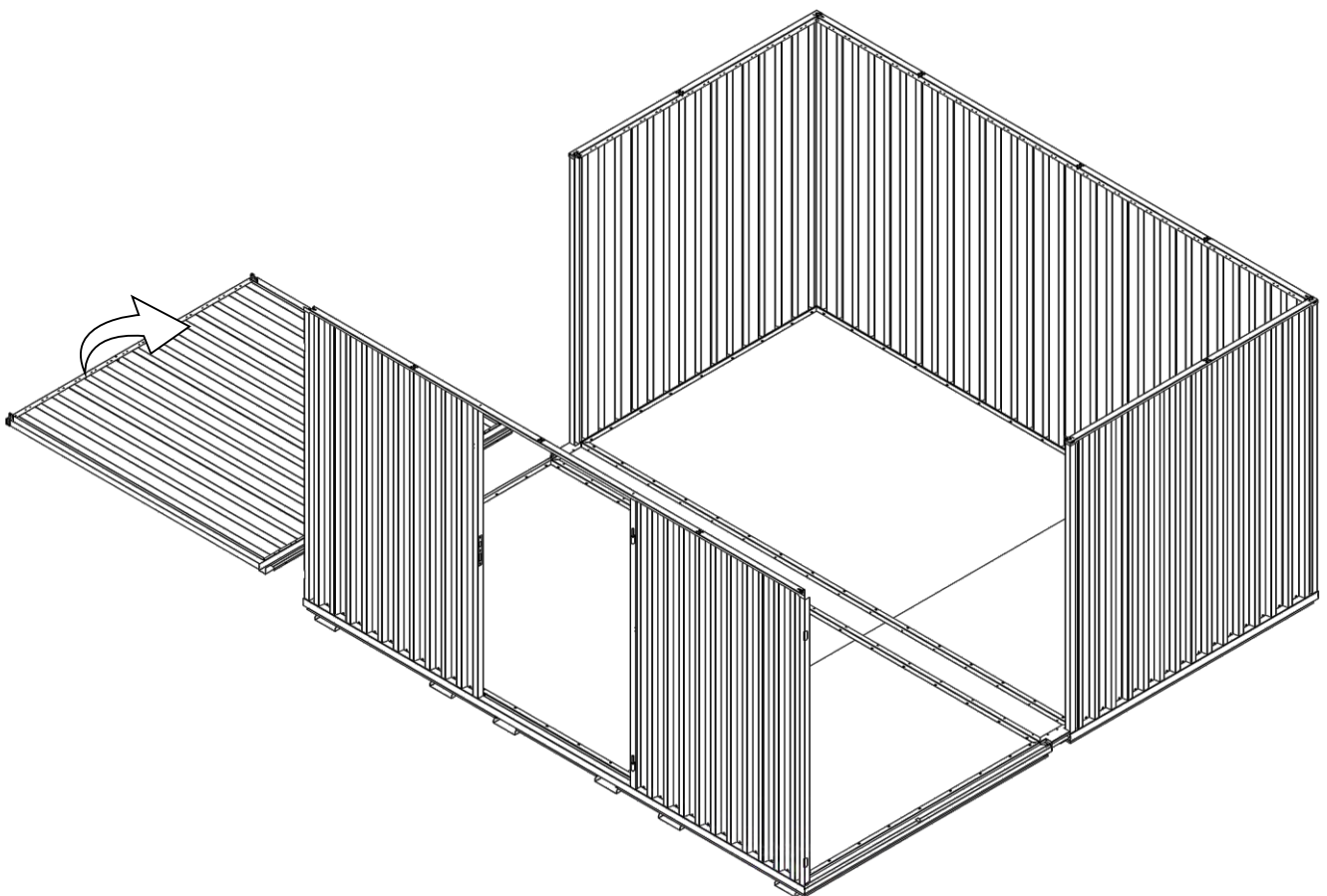
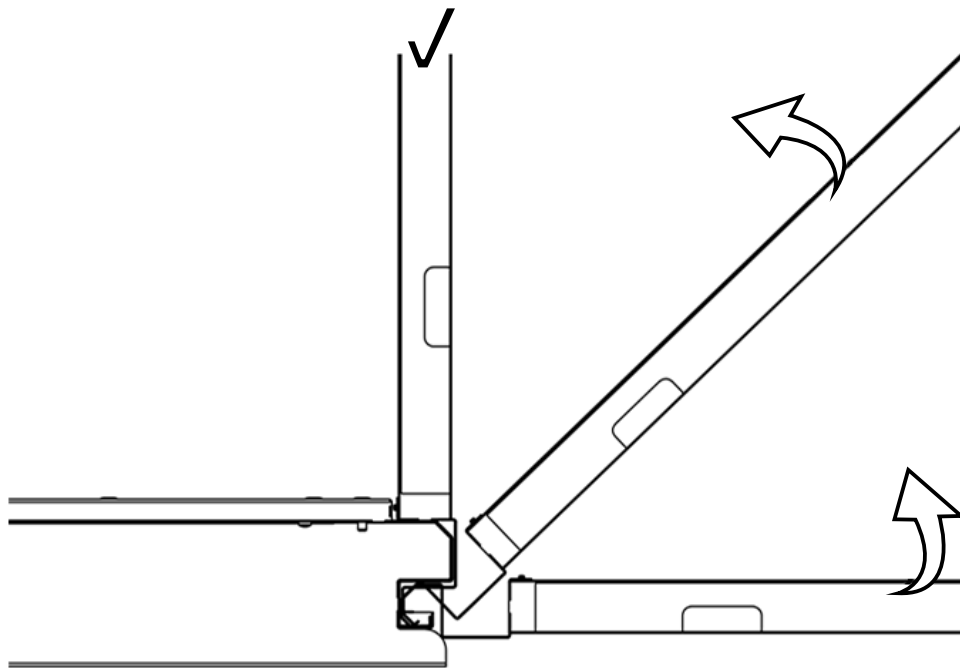
3.2.



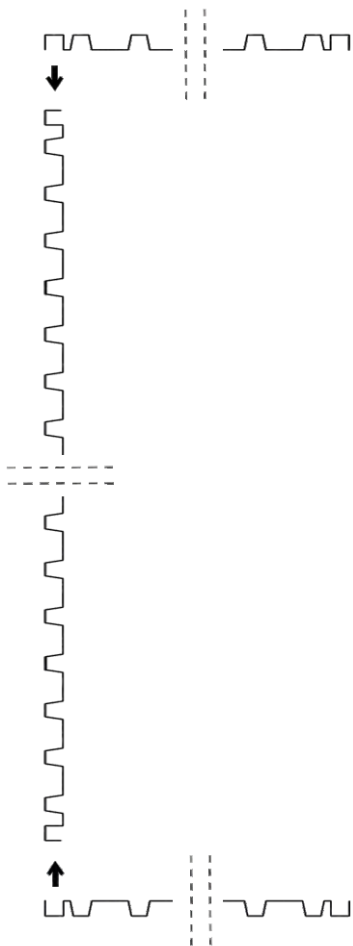
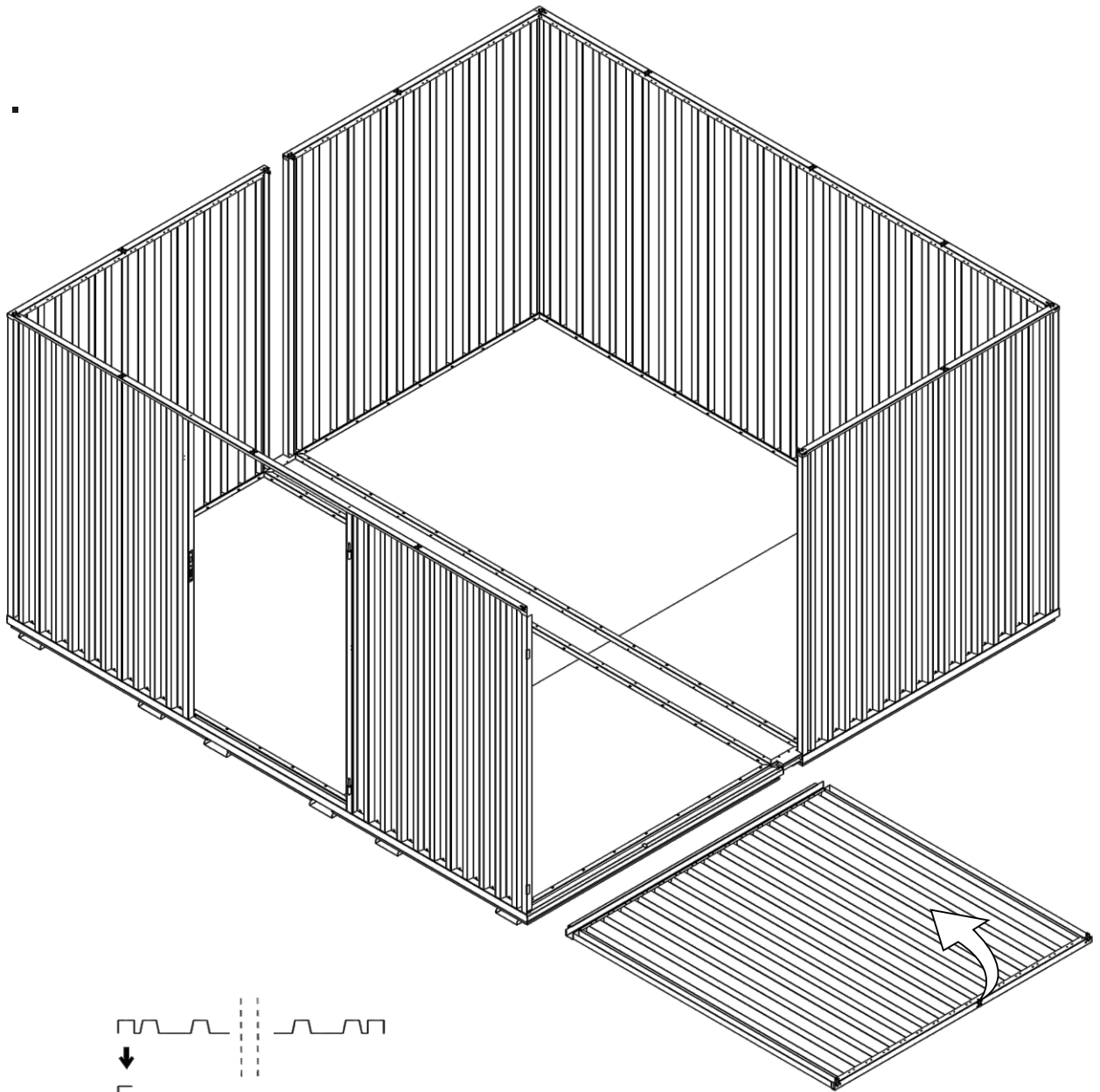
3.3.

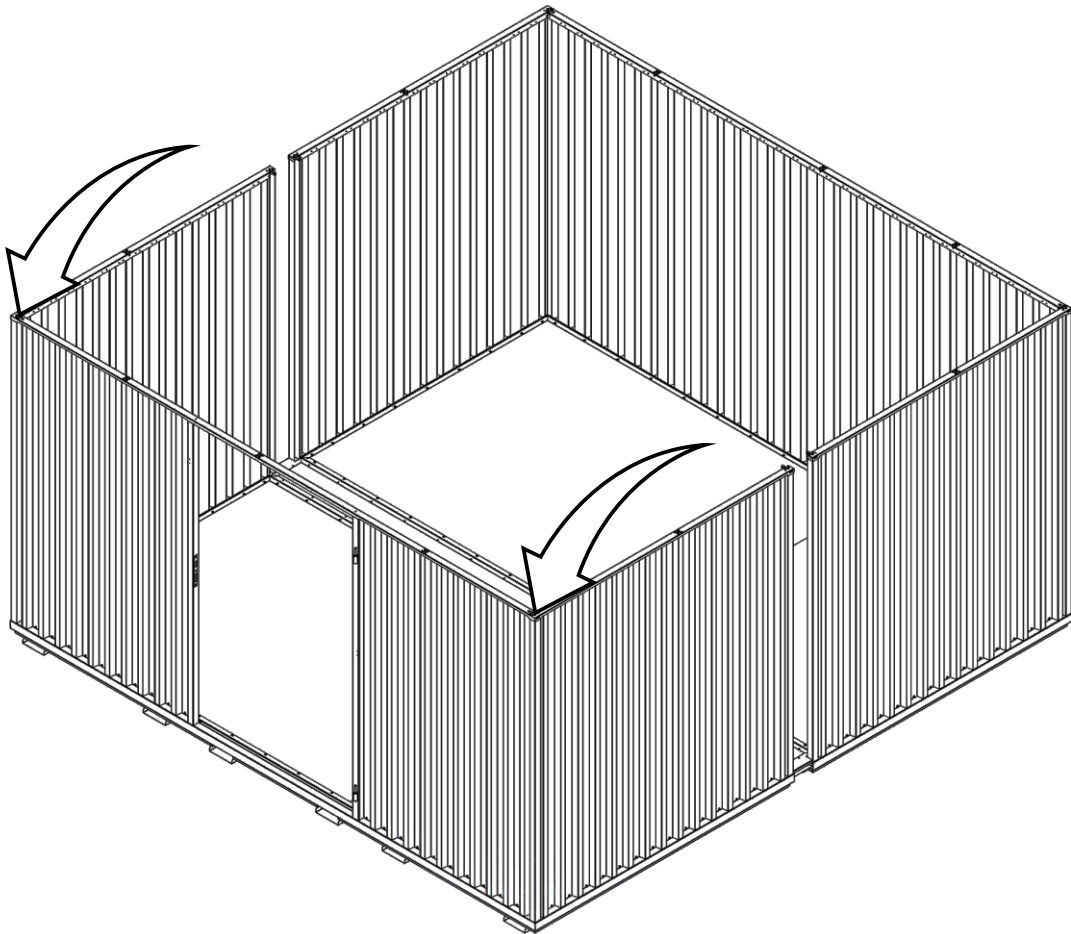
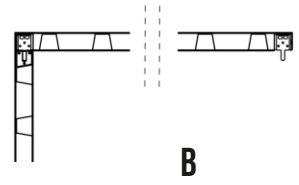
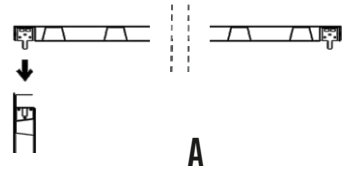
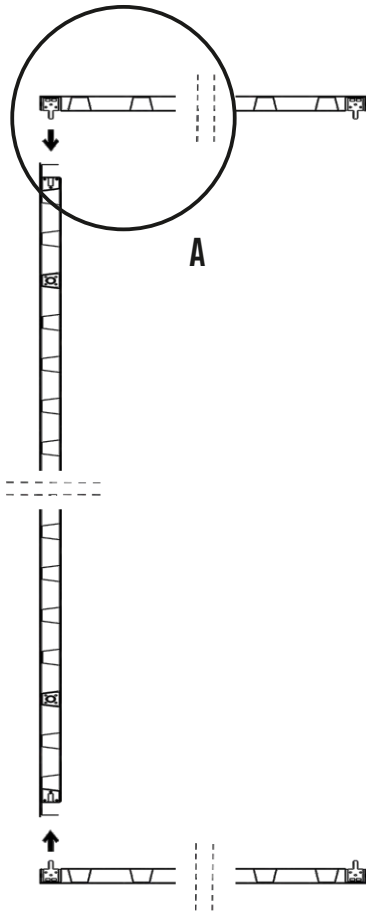
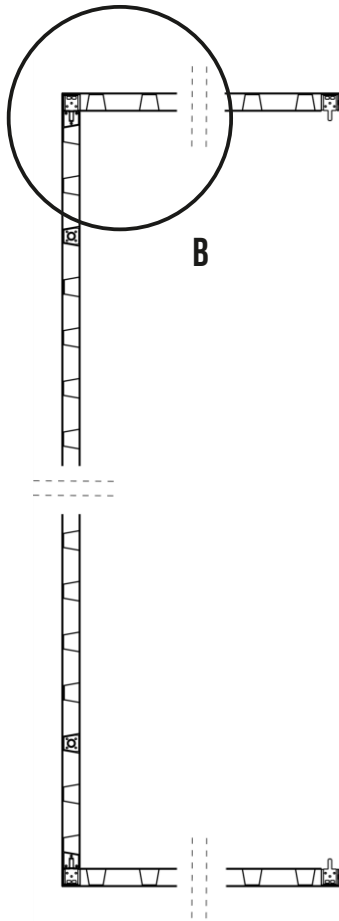


4.1.

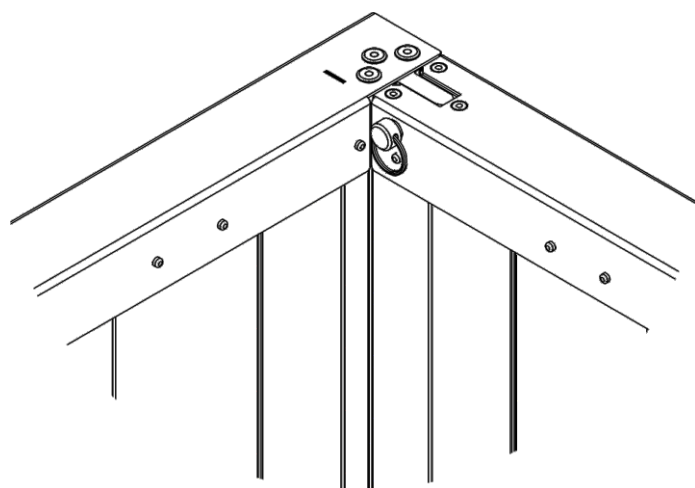
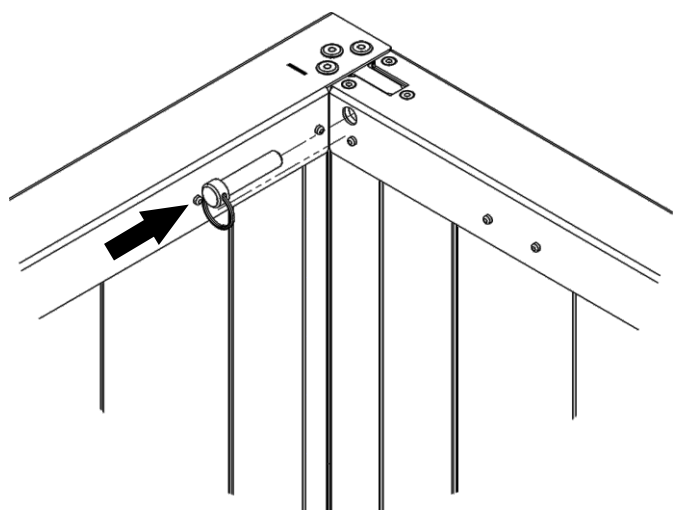
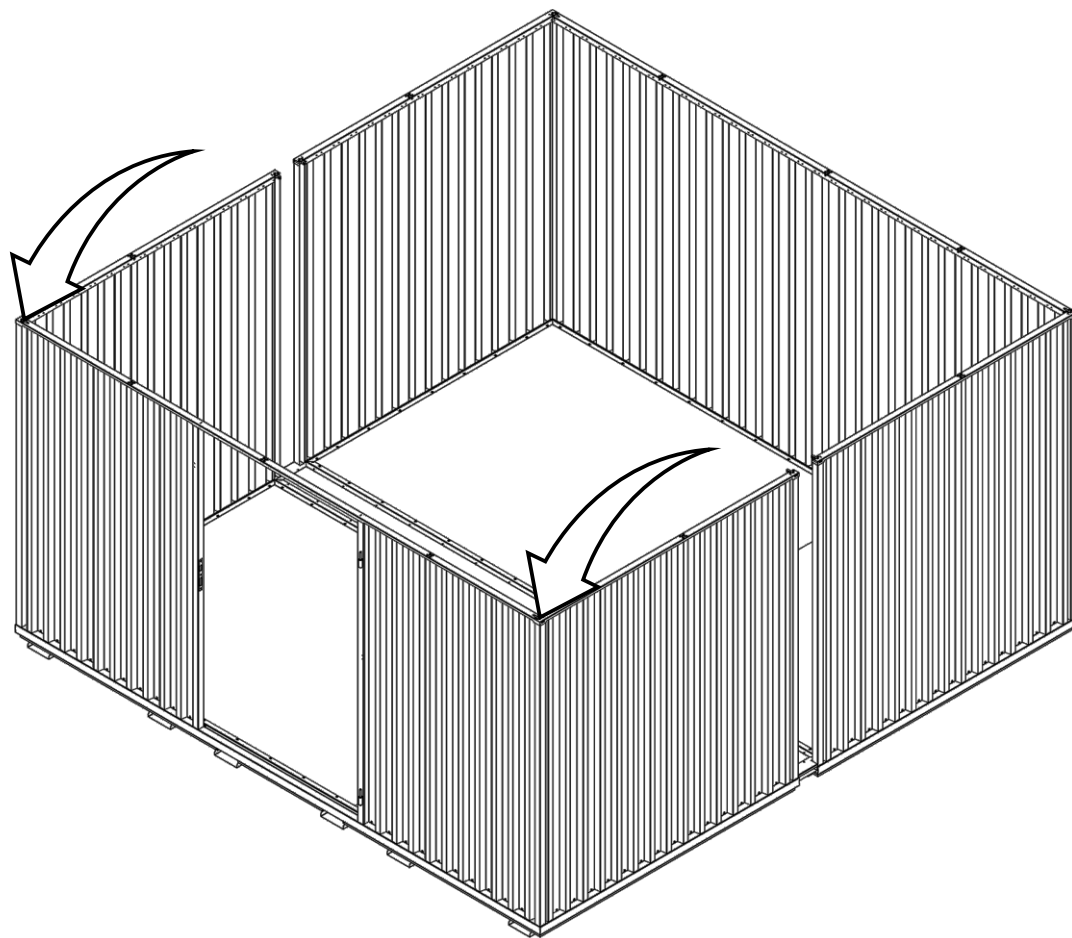


5.1.



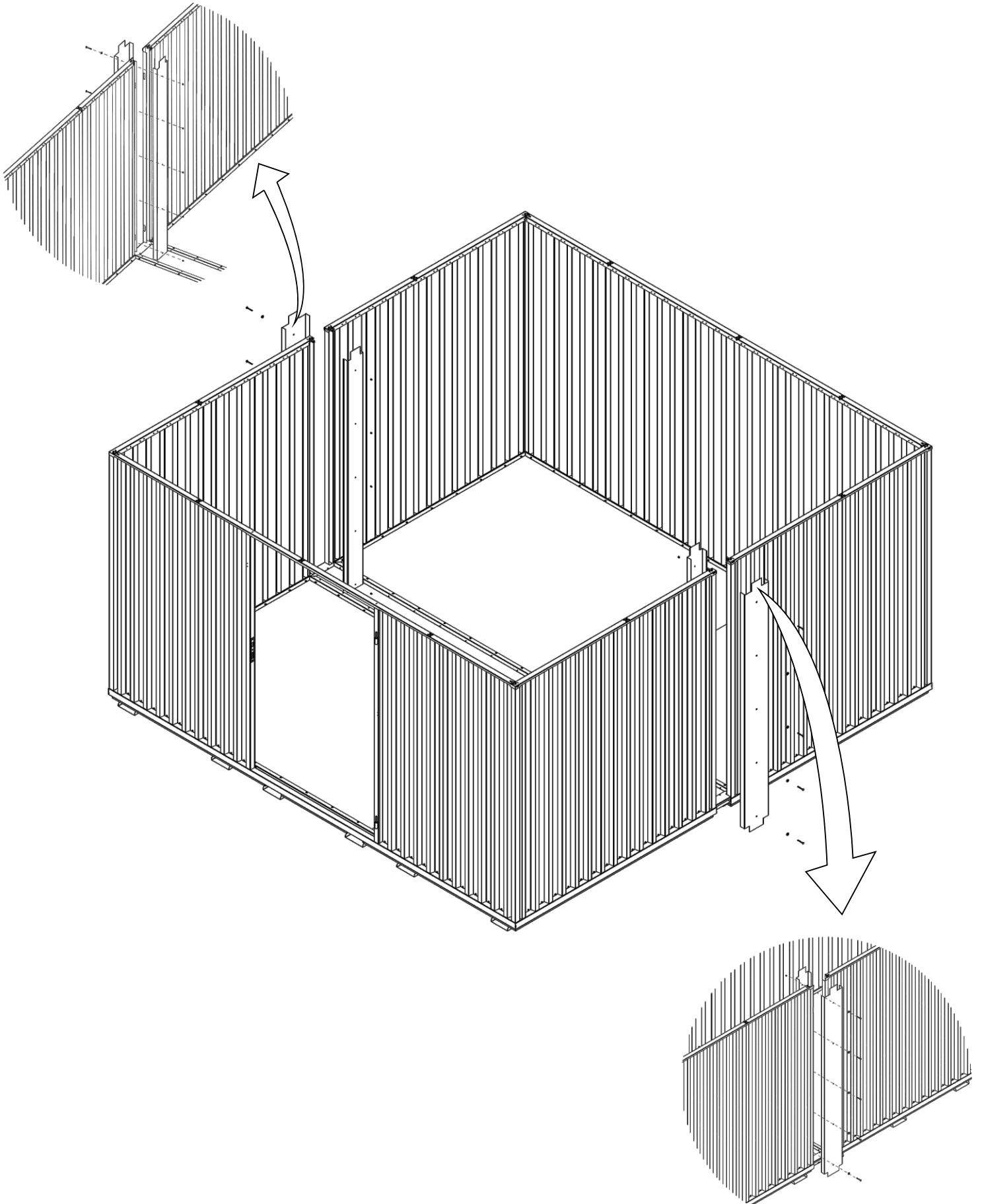


5.2.

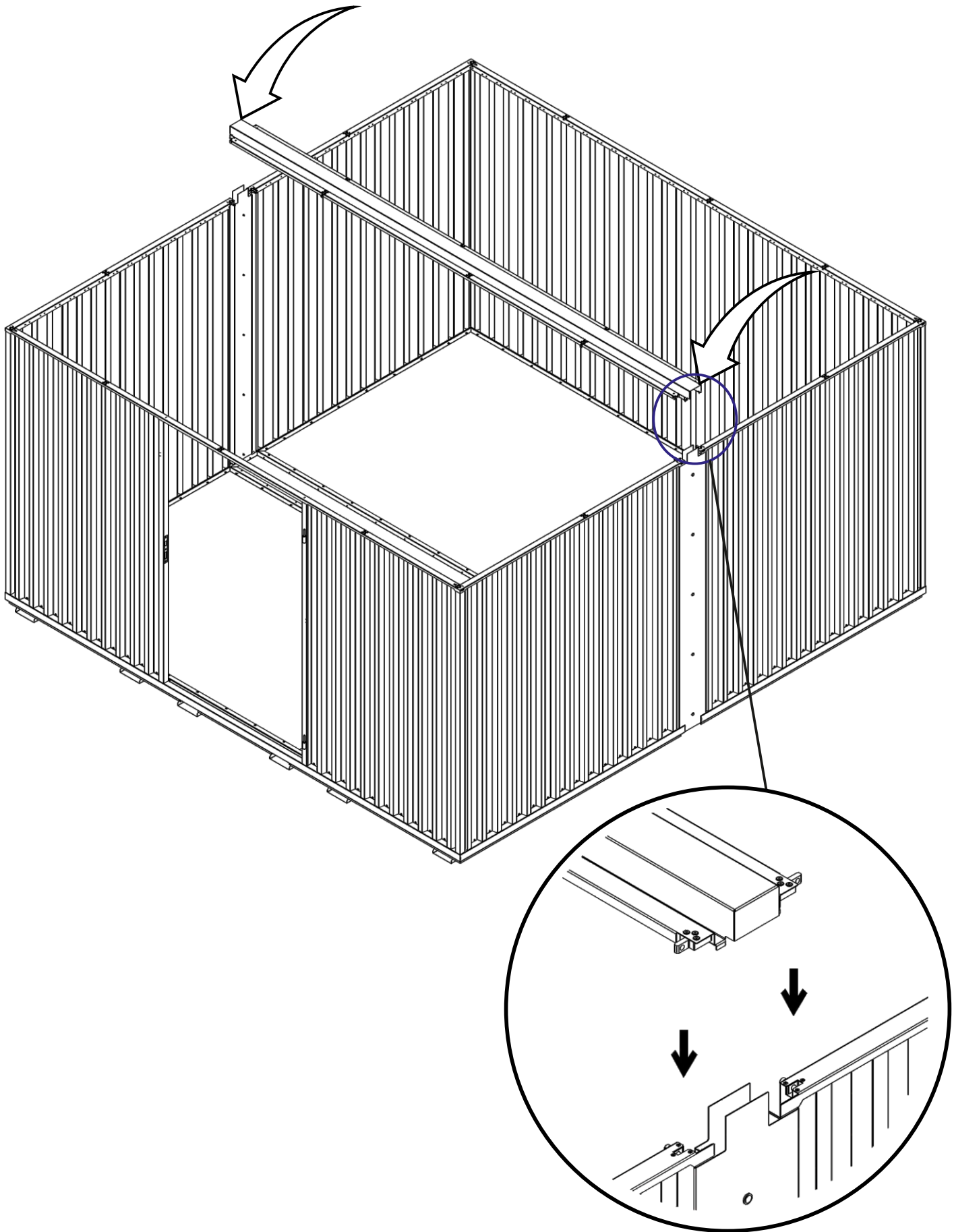




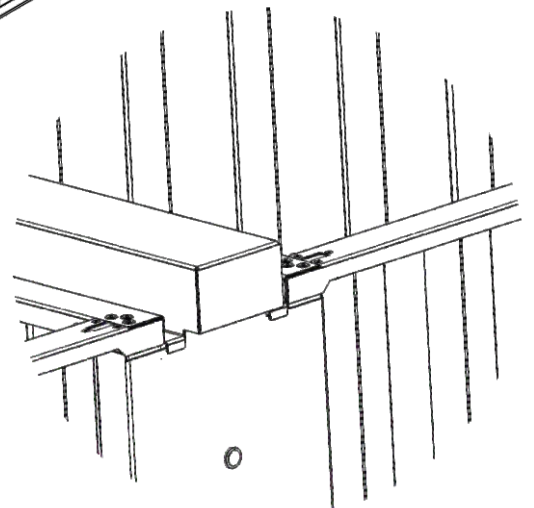
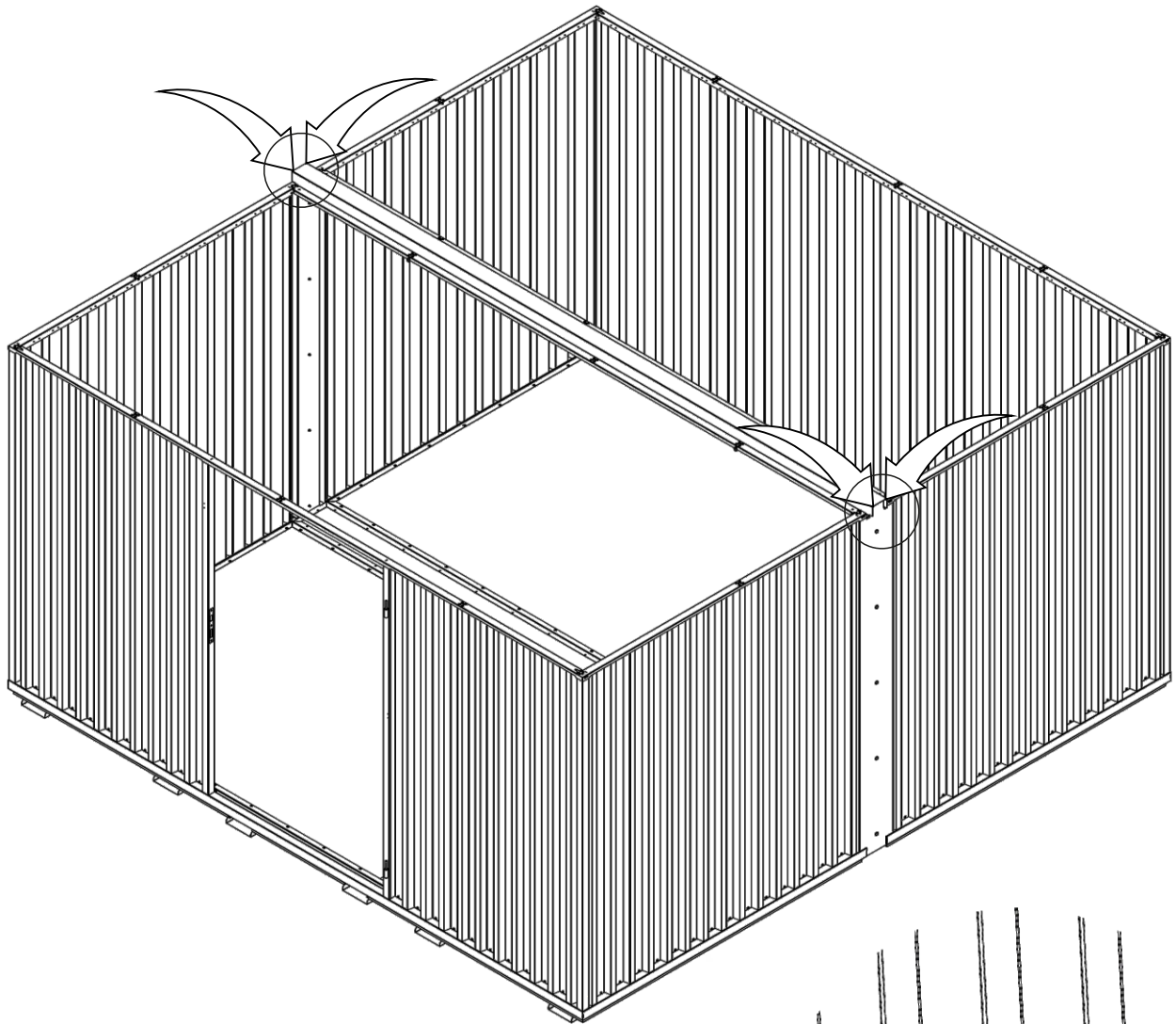
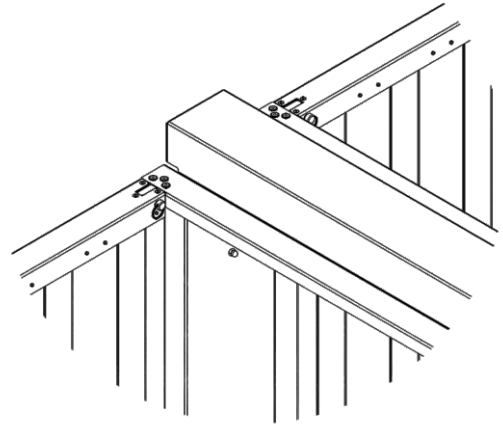
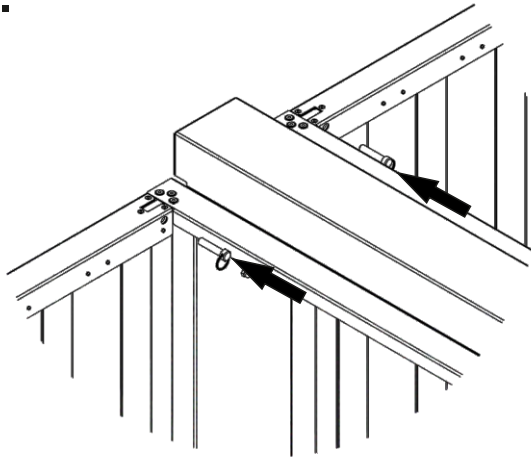
7.1.











8.1.

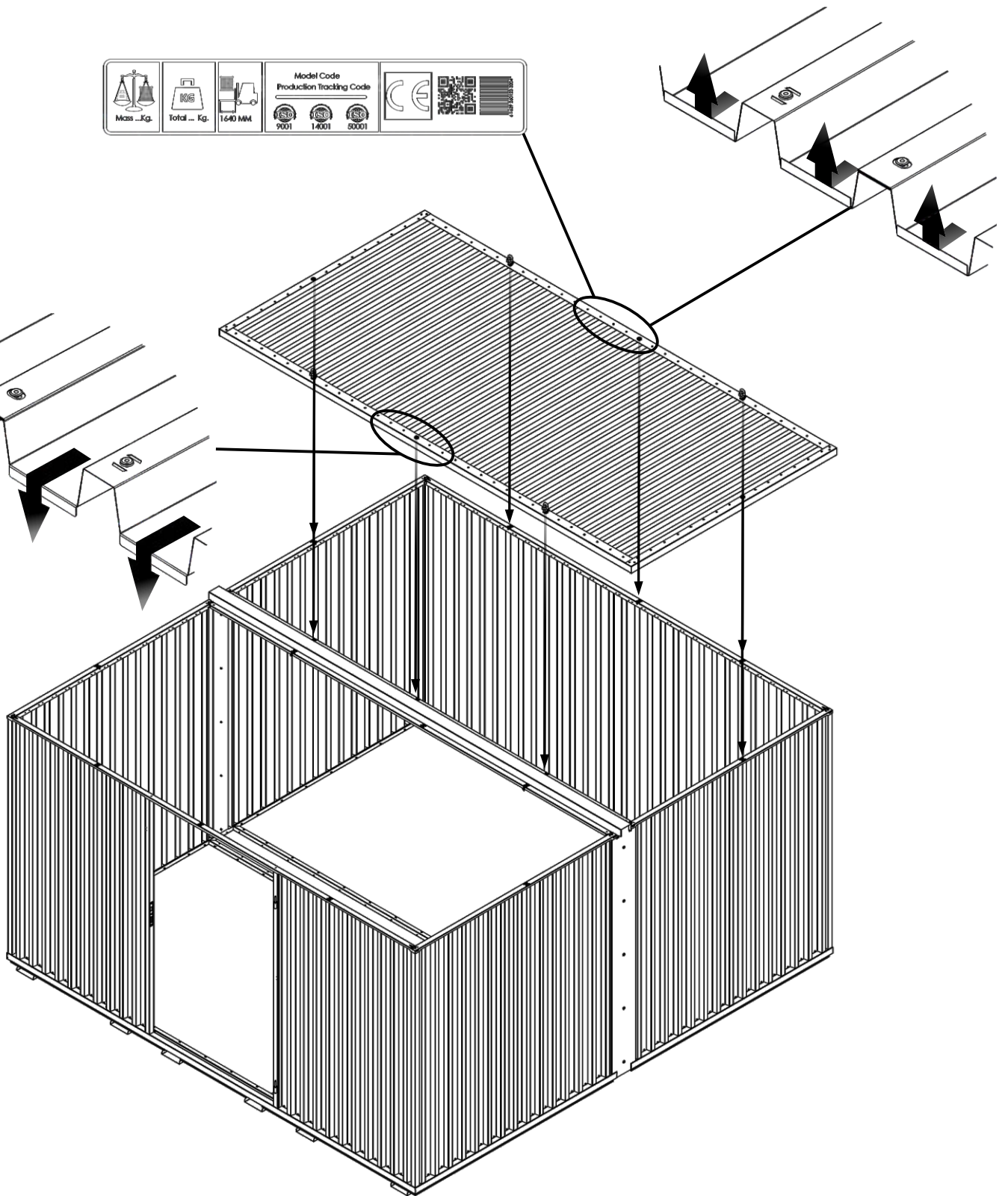


8.2.

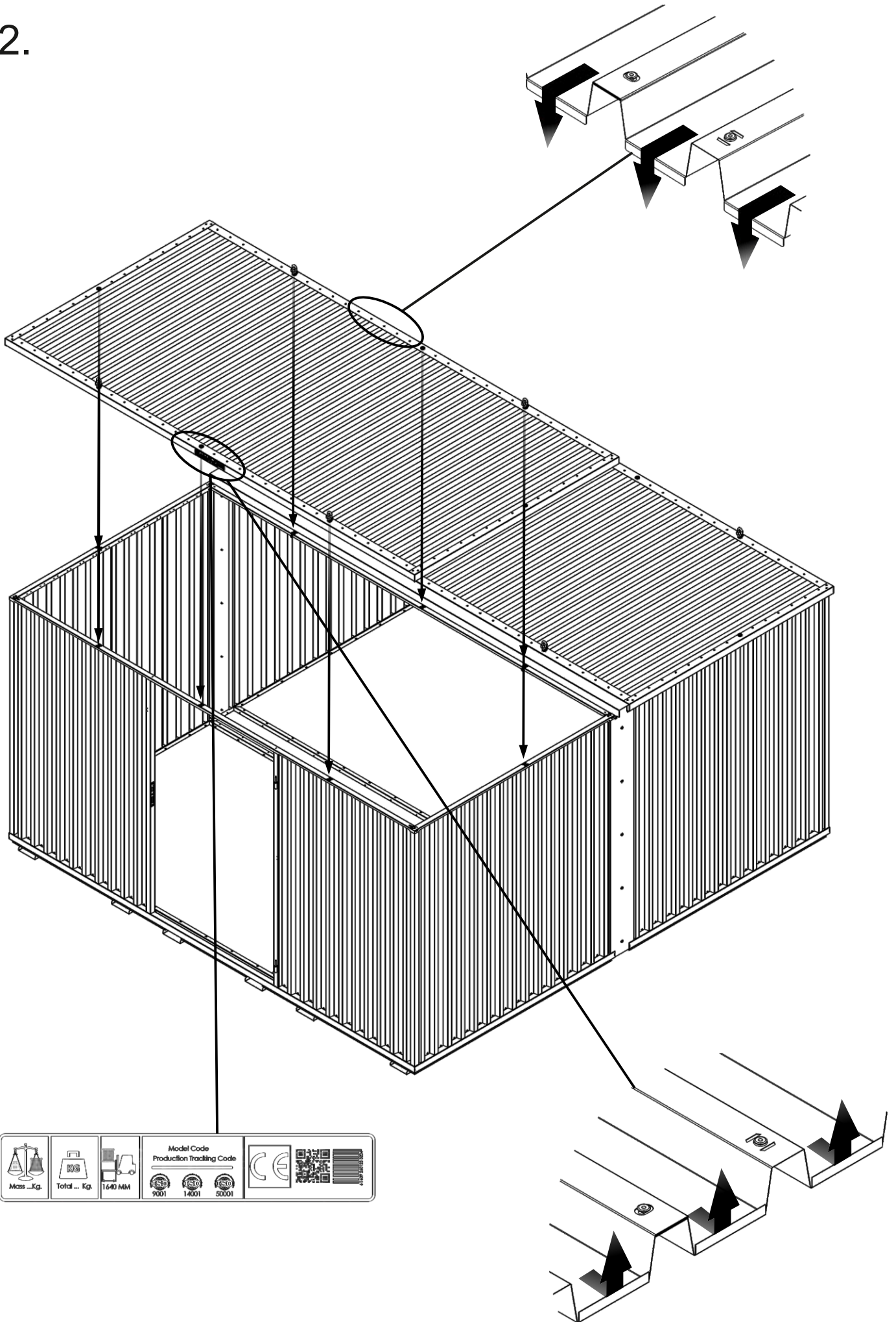


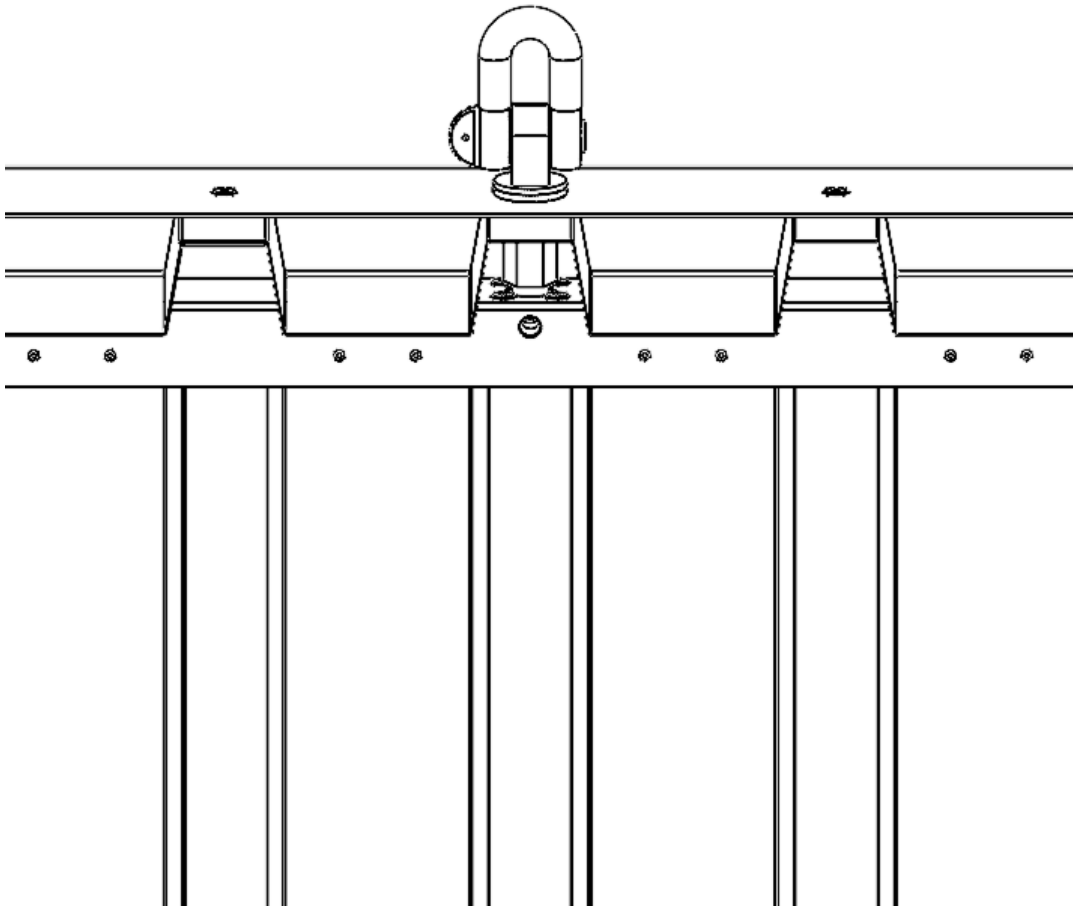
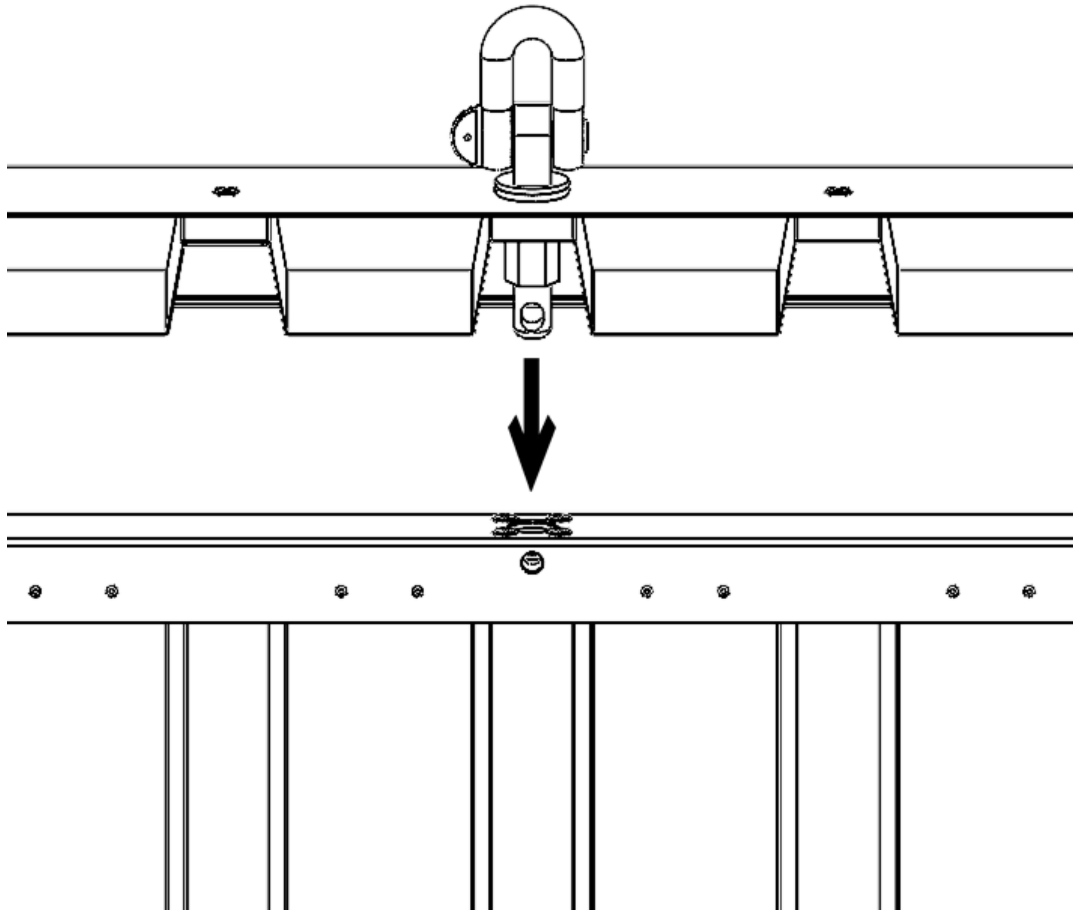
# 9.1.

|  |  |  |   |   |   |
|--|--|--|---|---|---|
| <br>Mass ...Kg. | <br>Total ... Kg. | <br>1640 MM | Model Code<br>Production Tracking Code<br>   |  |  |
|--|--|--|---|---|---|



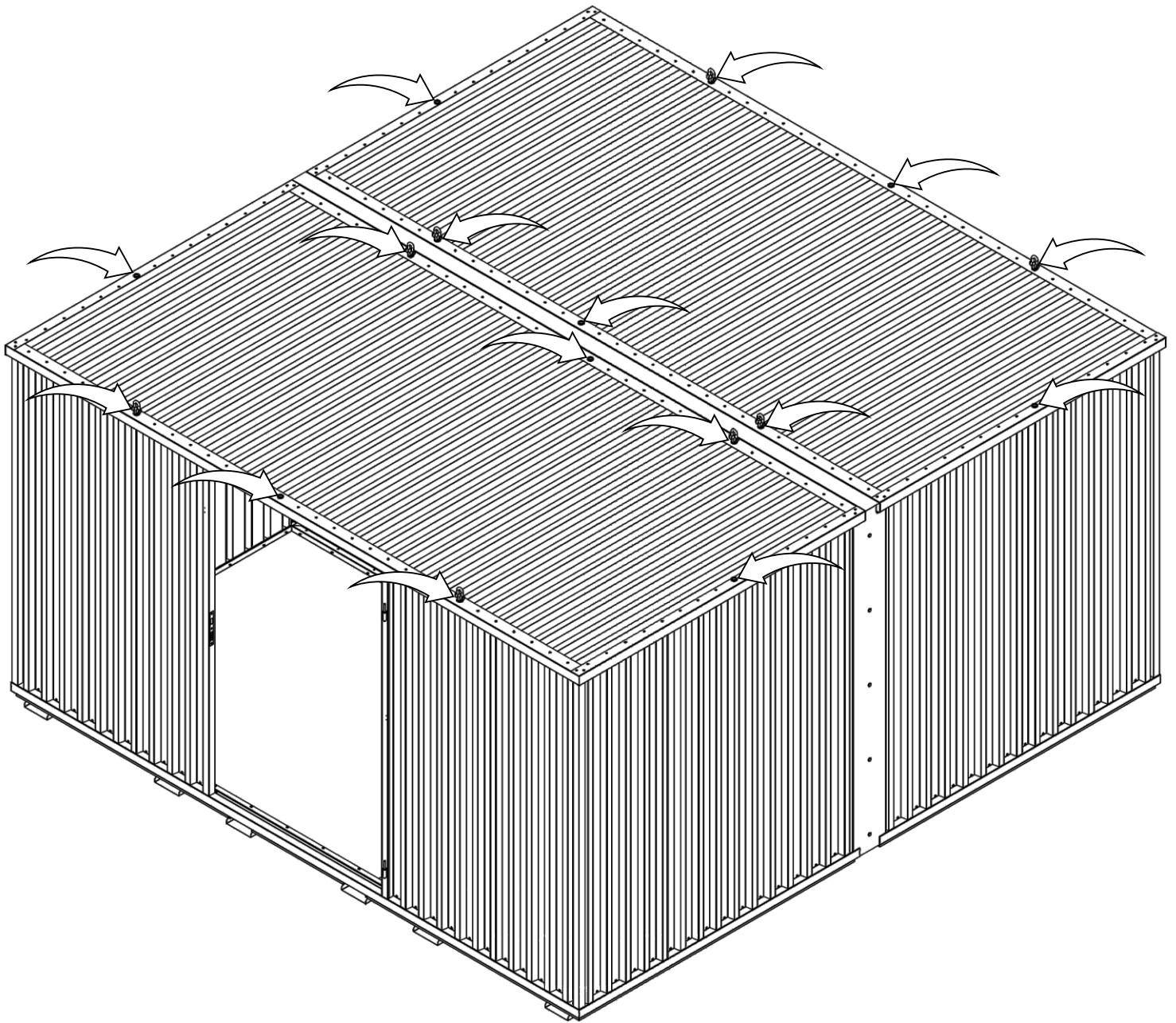
# 9.2.

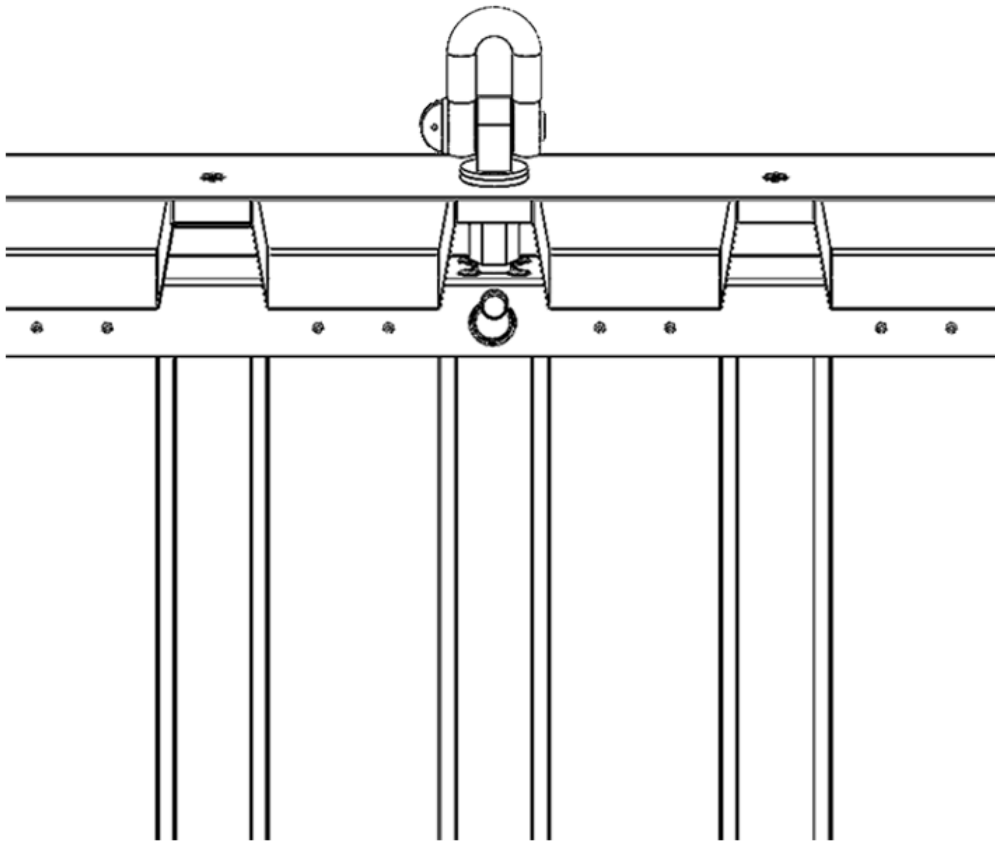
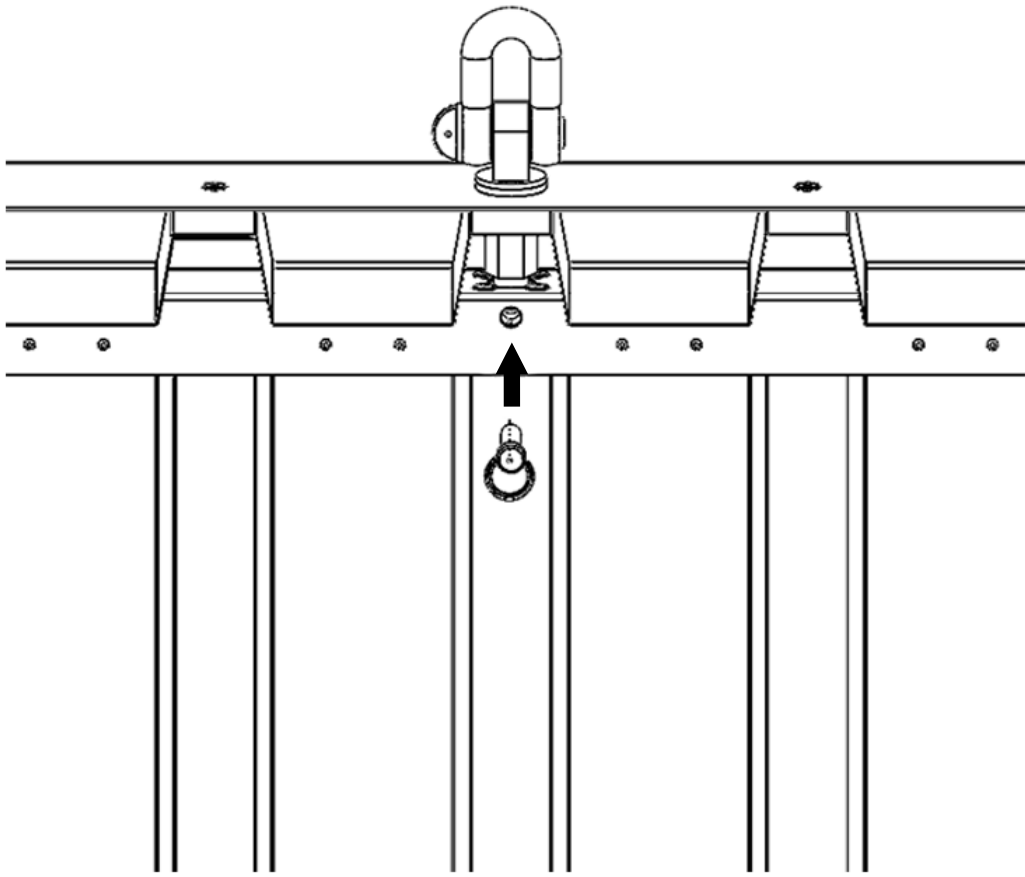






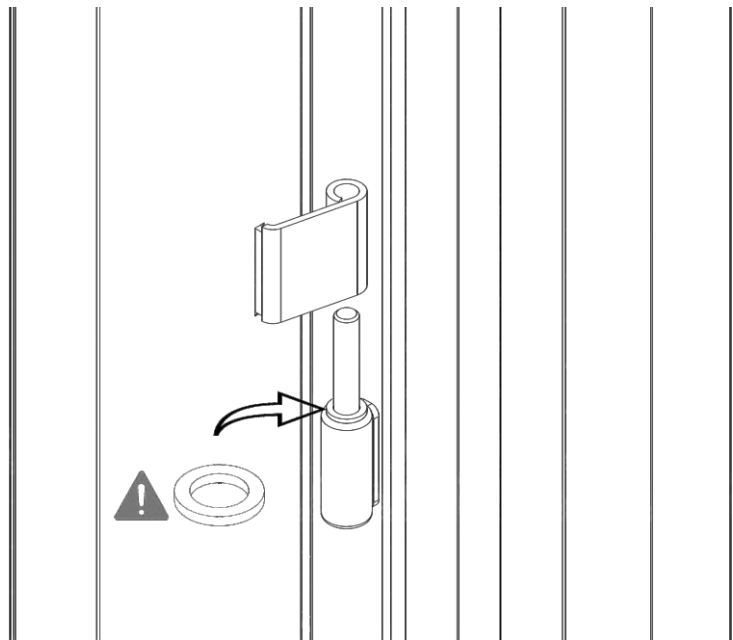
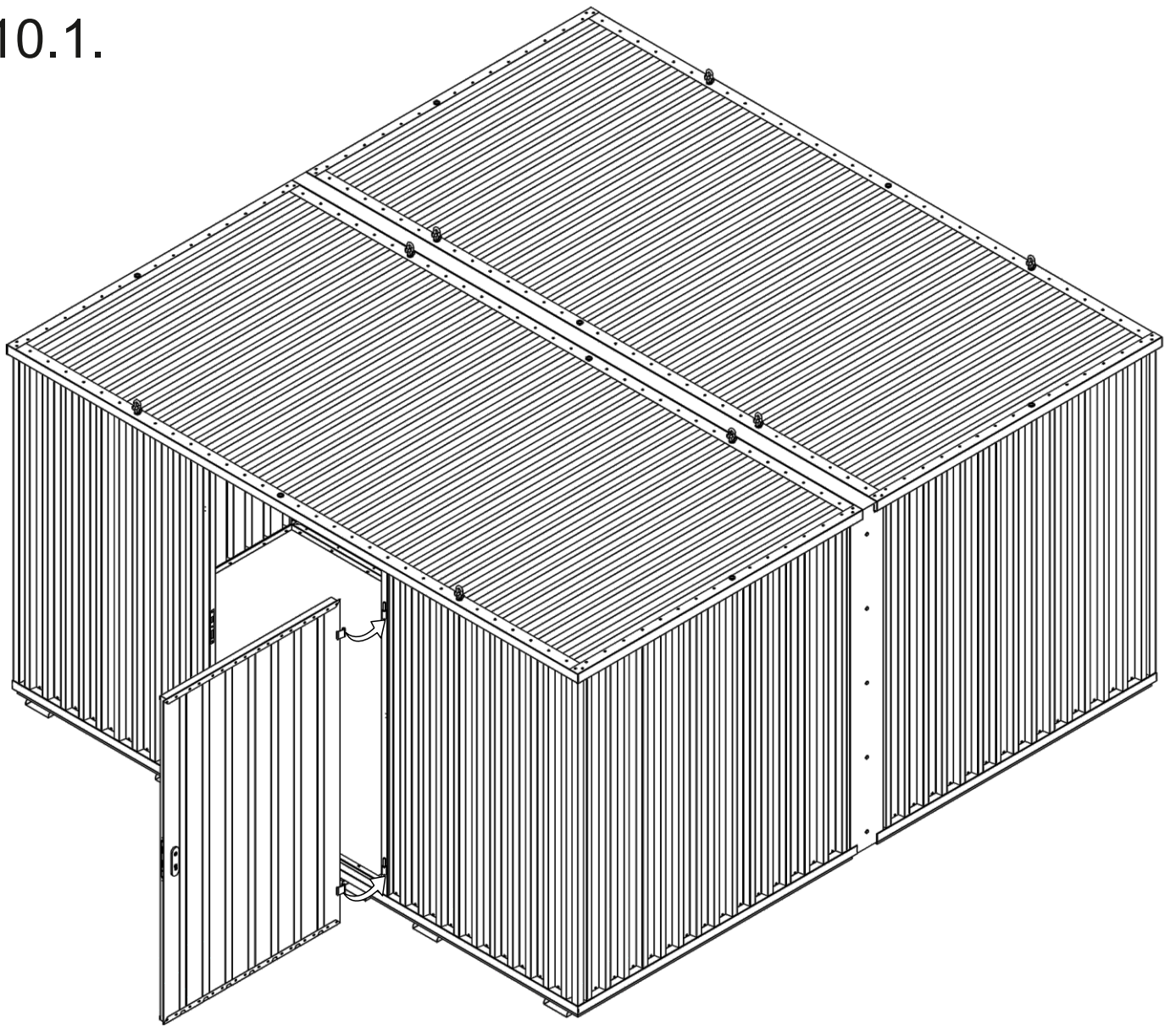
9.4.



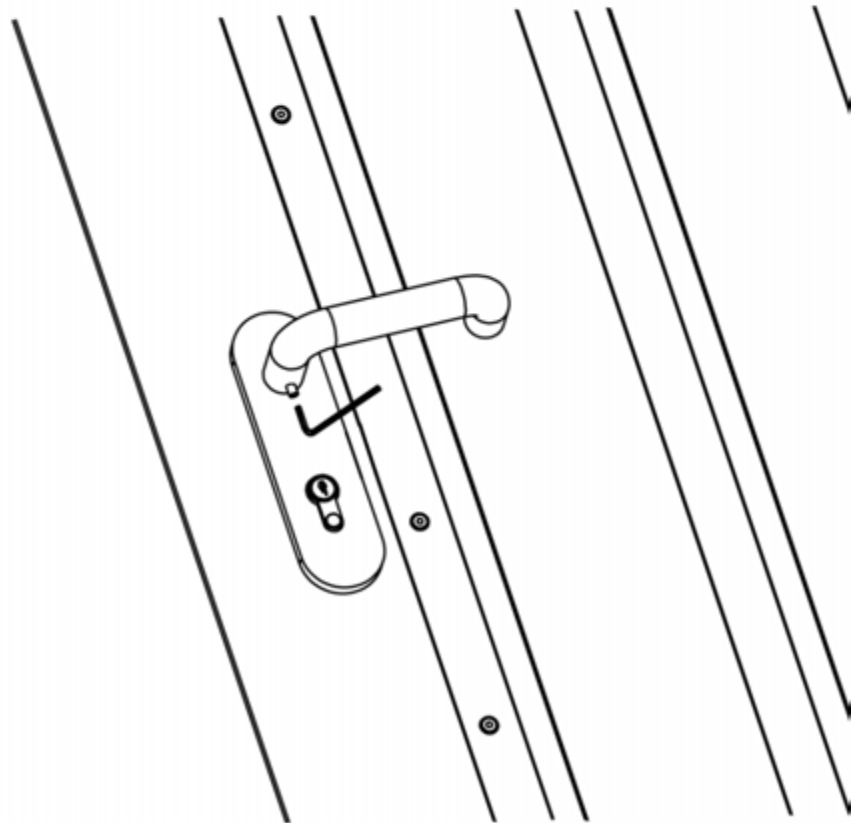
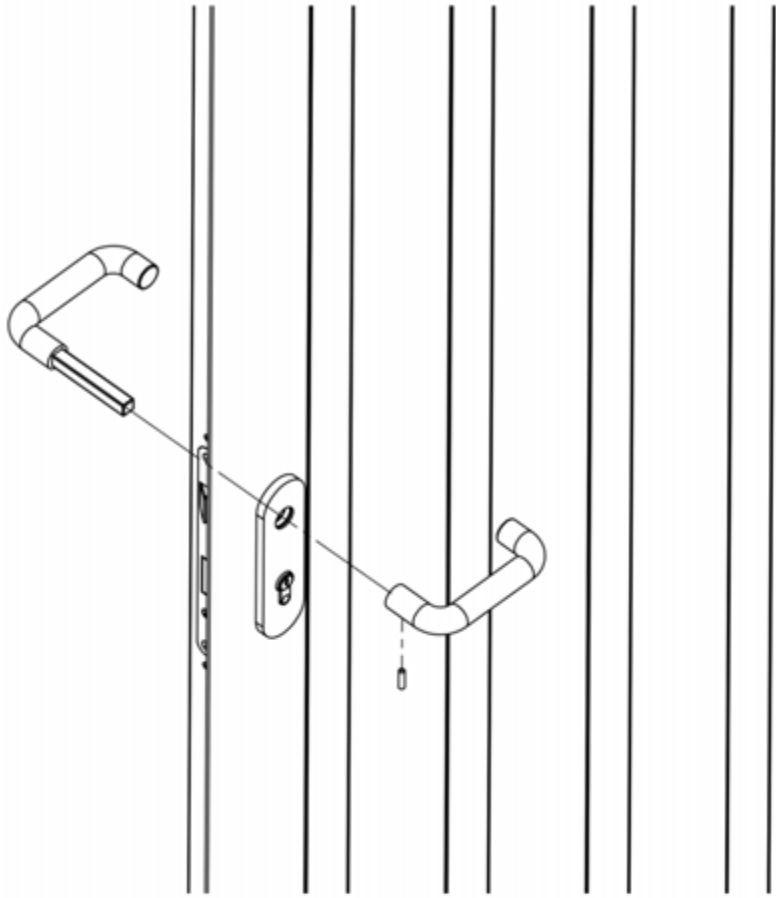




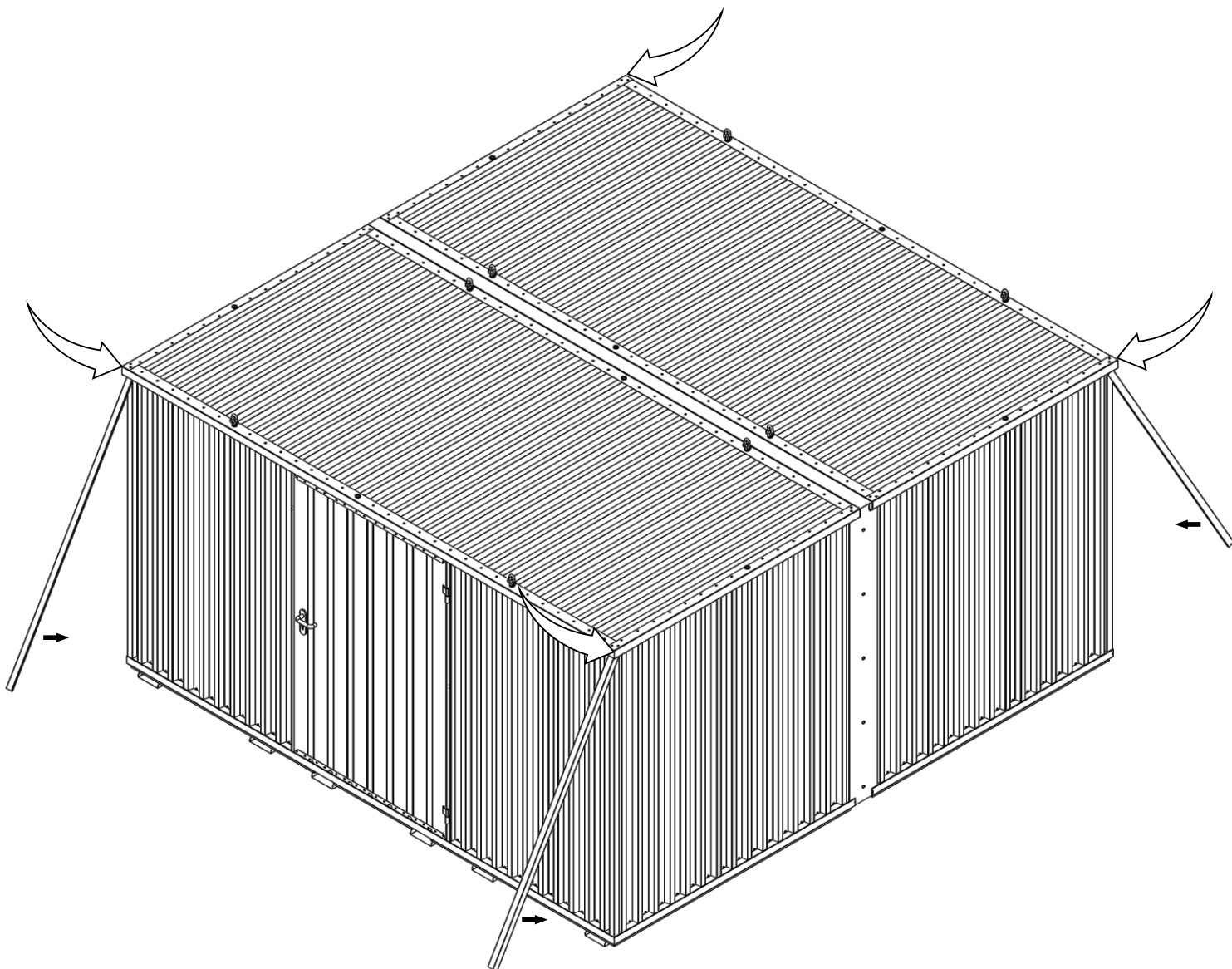
10.1.



10.2.



11.1.



12.1.

