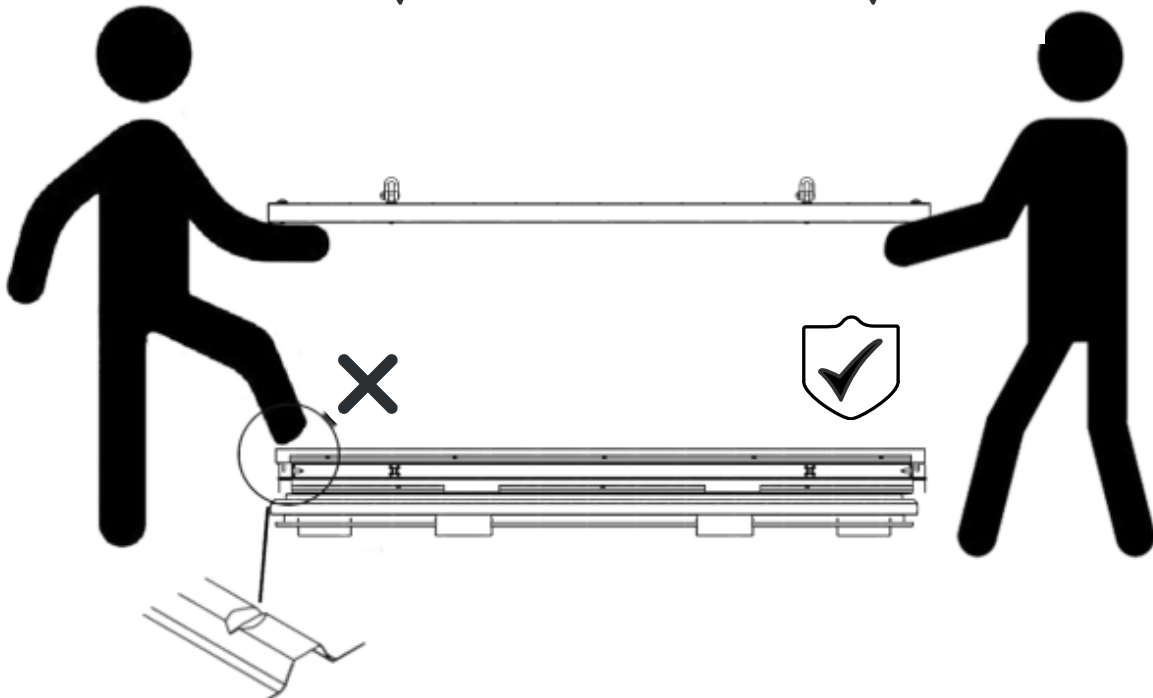


PRODUCT CODE:505.110.420.440

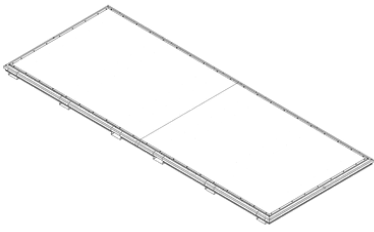
**prefabase**  
Quick Build Solutions

Instructions and User Guide



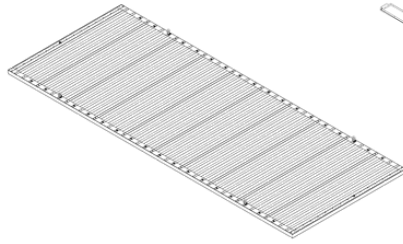
50.0110

2x



50.0510

2x



505.0110

1x



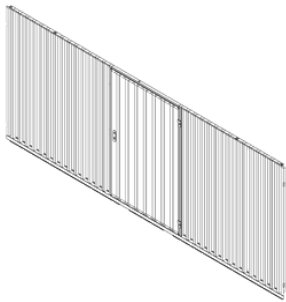
505.0510

1x



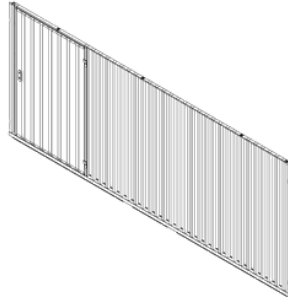
50.0420

1x



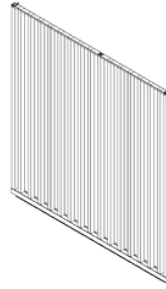
50.0440

1x



0310

4x



305.20.08

2x



305.20.09

2x

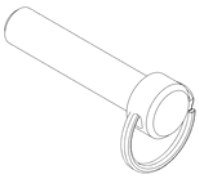


61.101

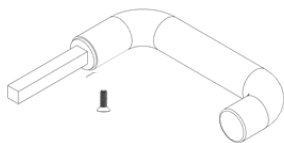
4x



24x



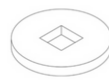
2x



10x



10x



10x



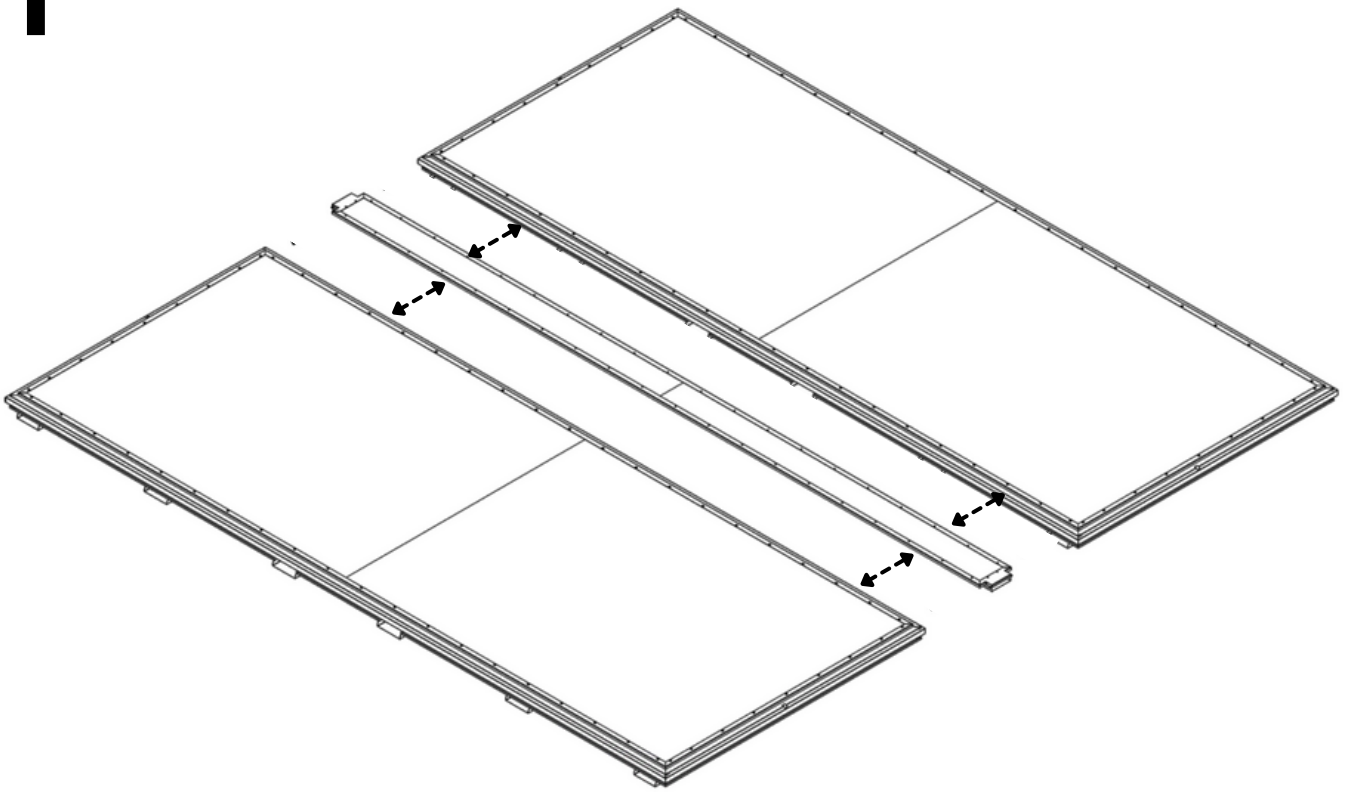
1x



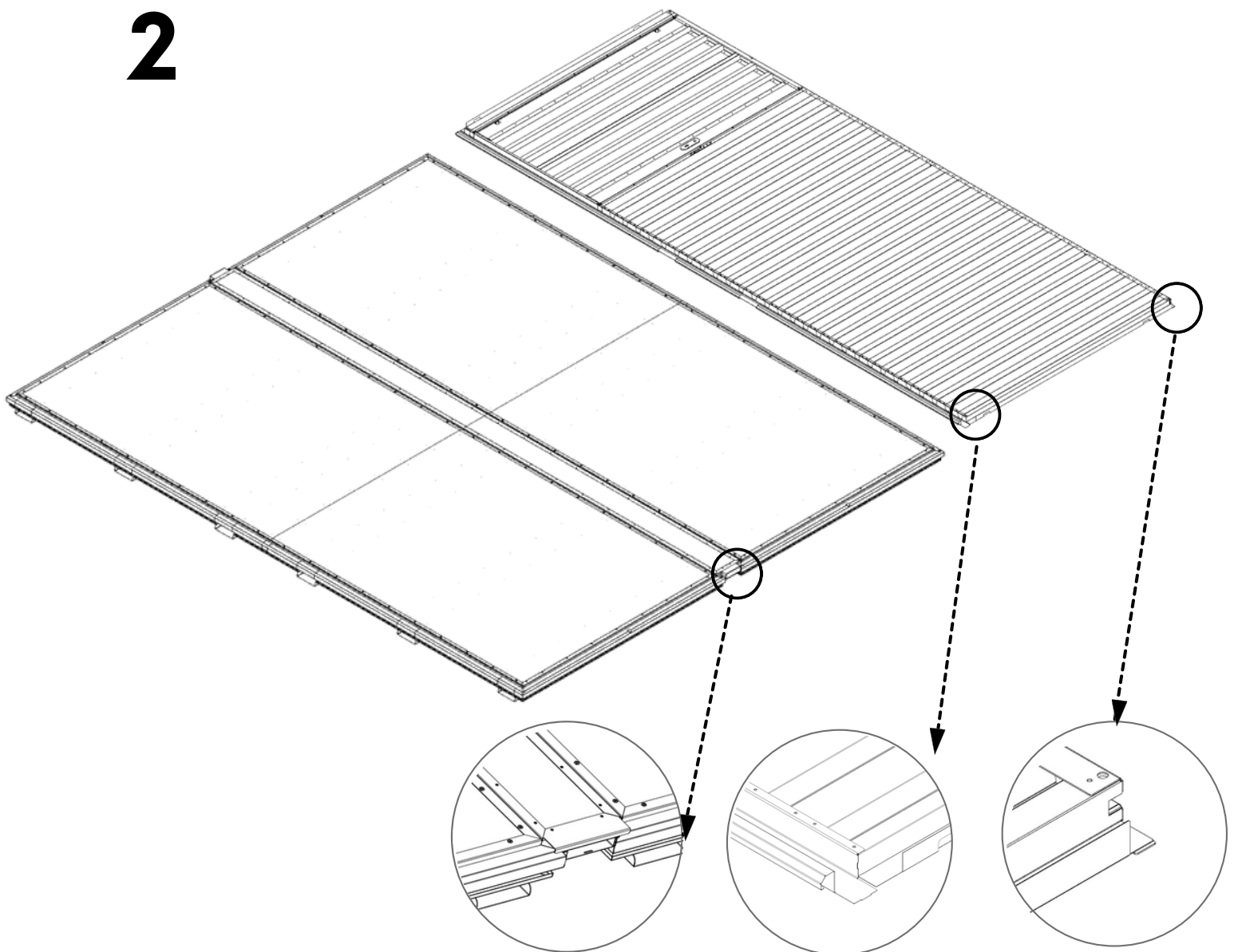
2x

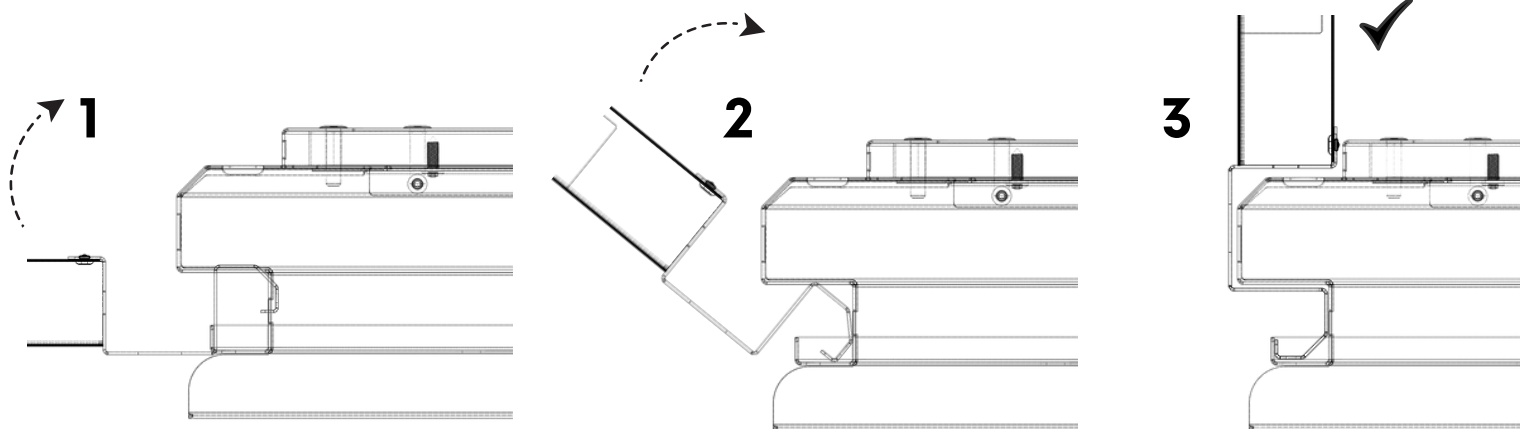


1

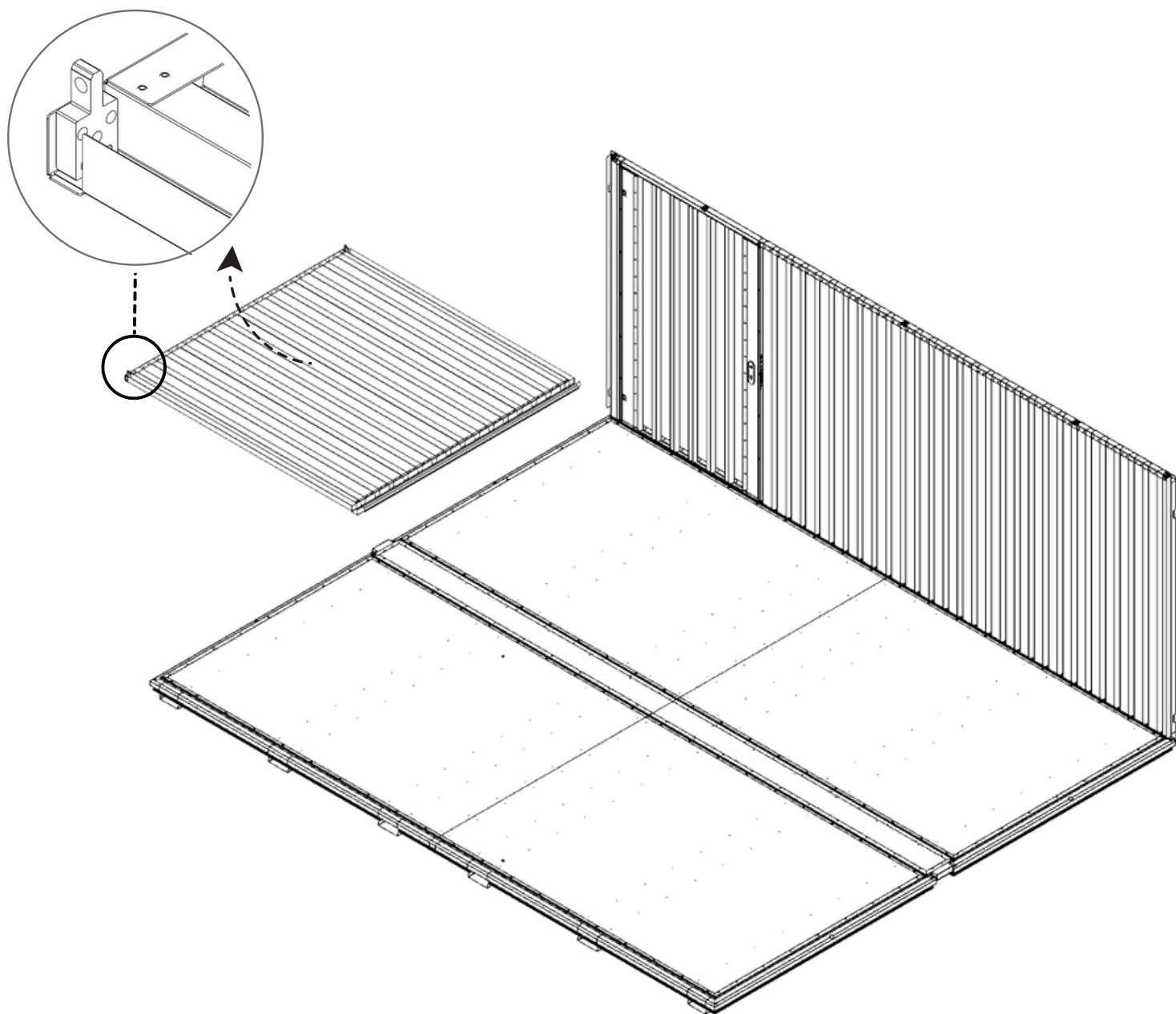


2



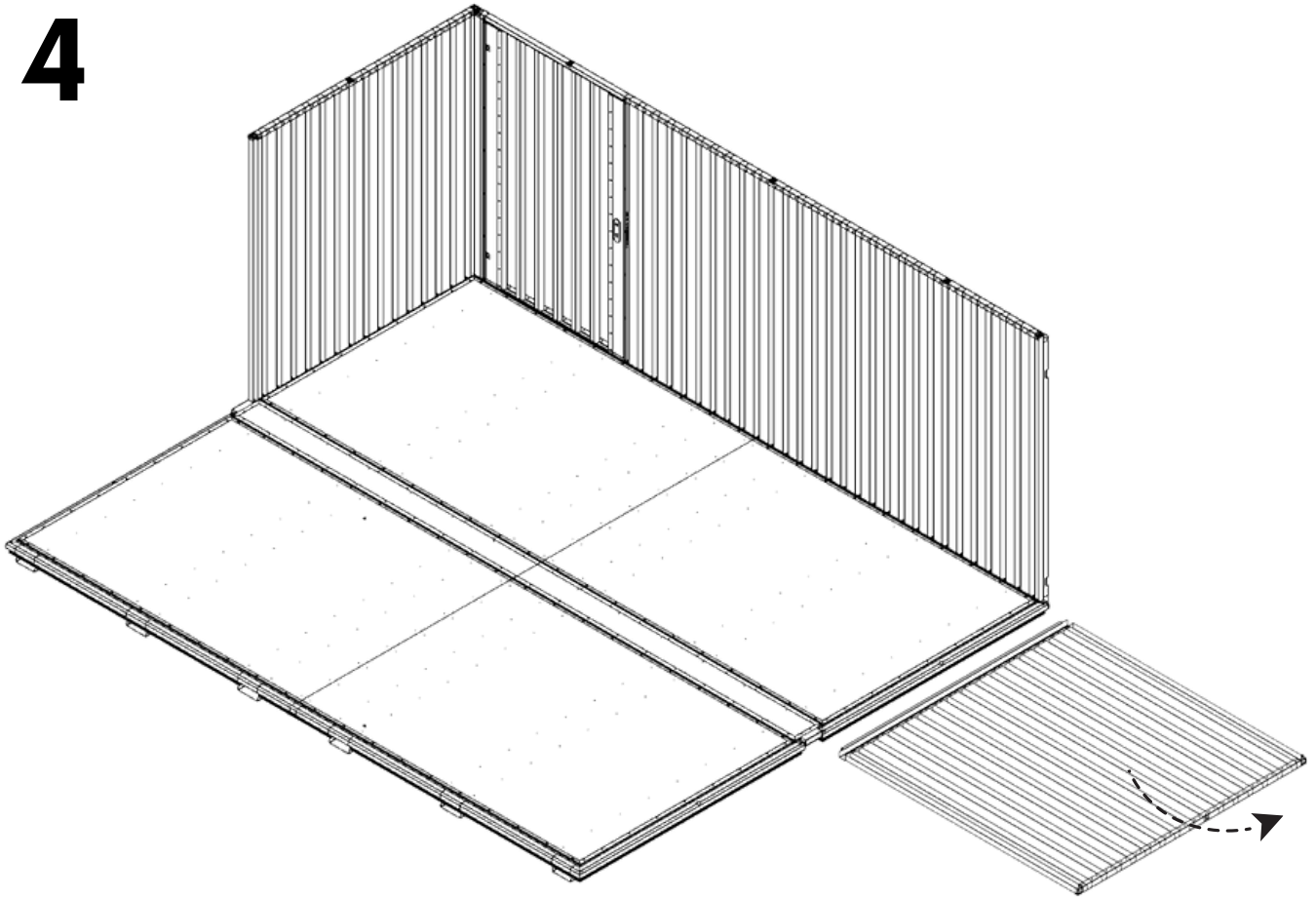


**3**

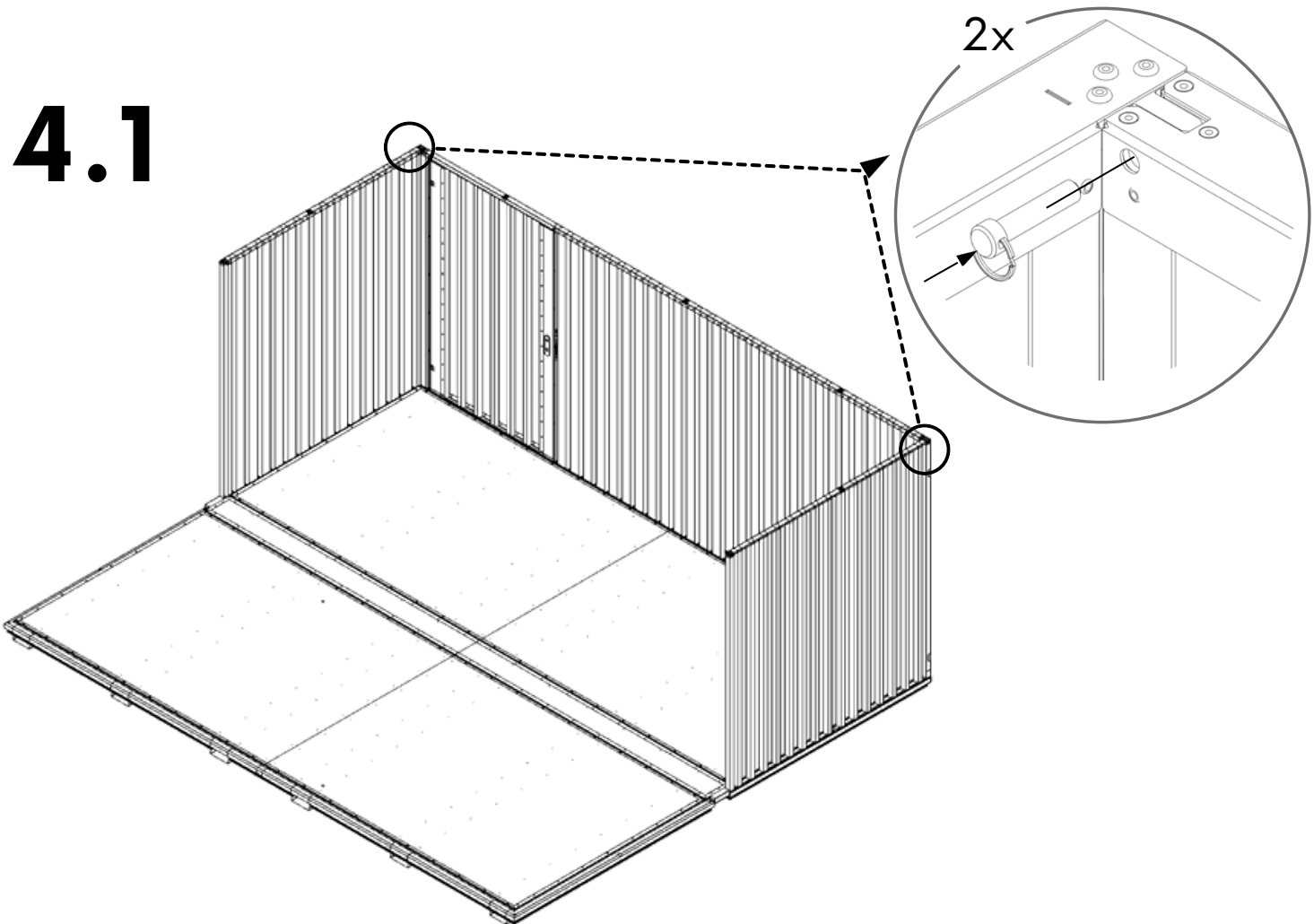




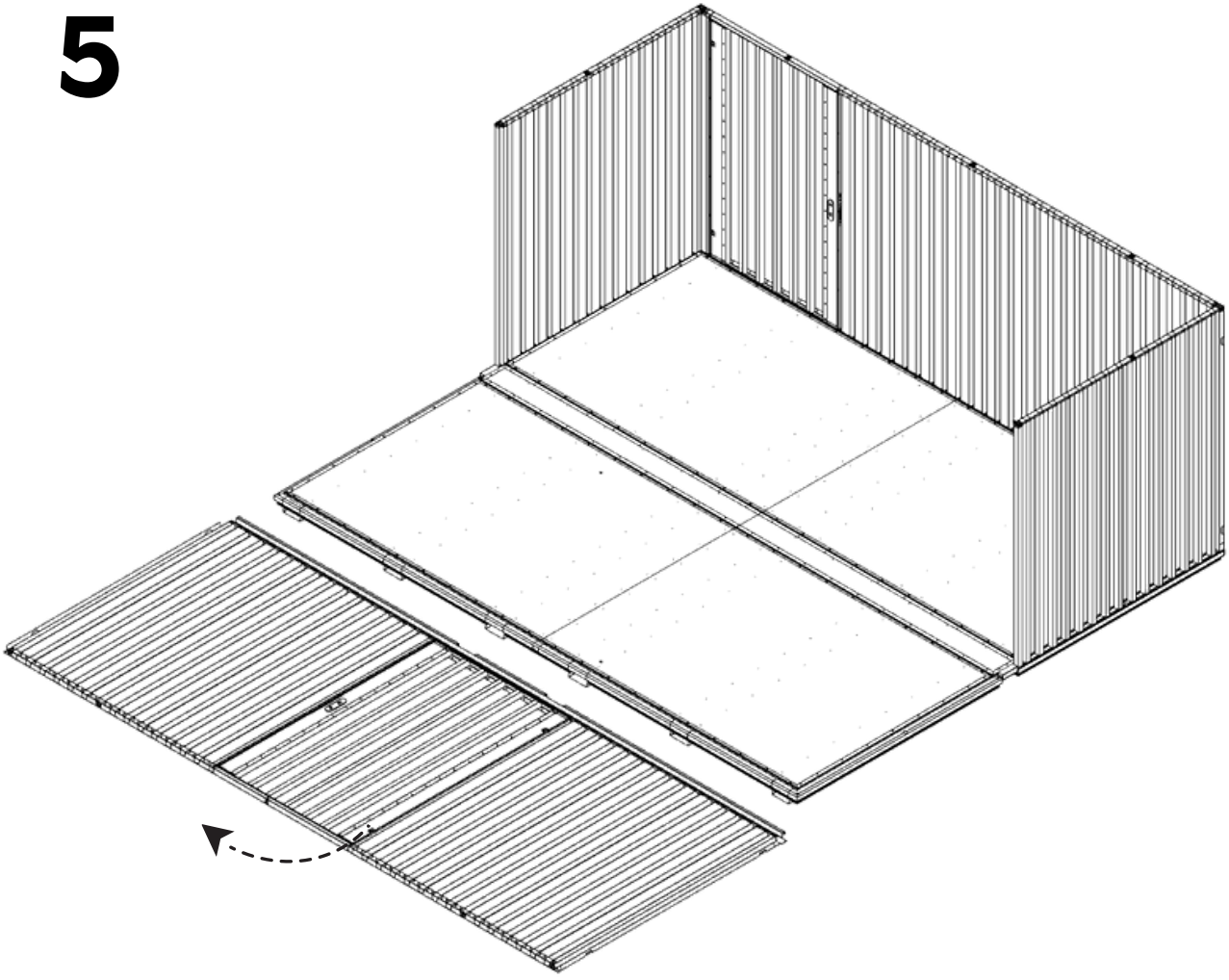
**4**



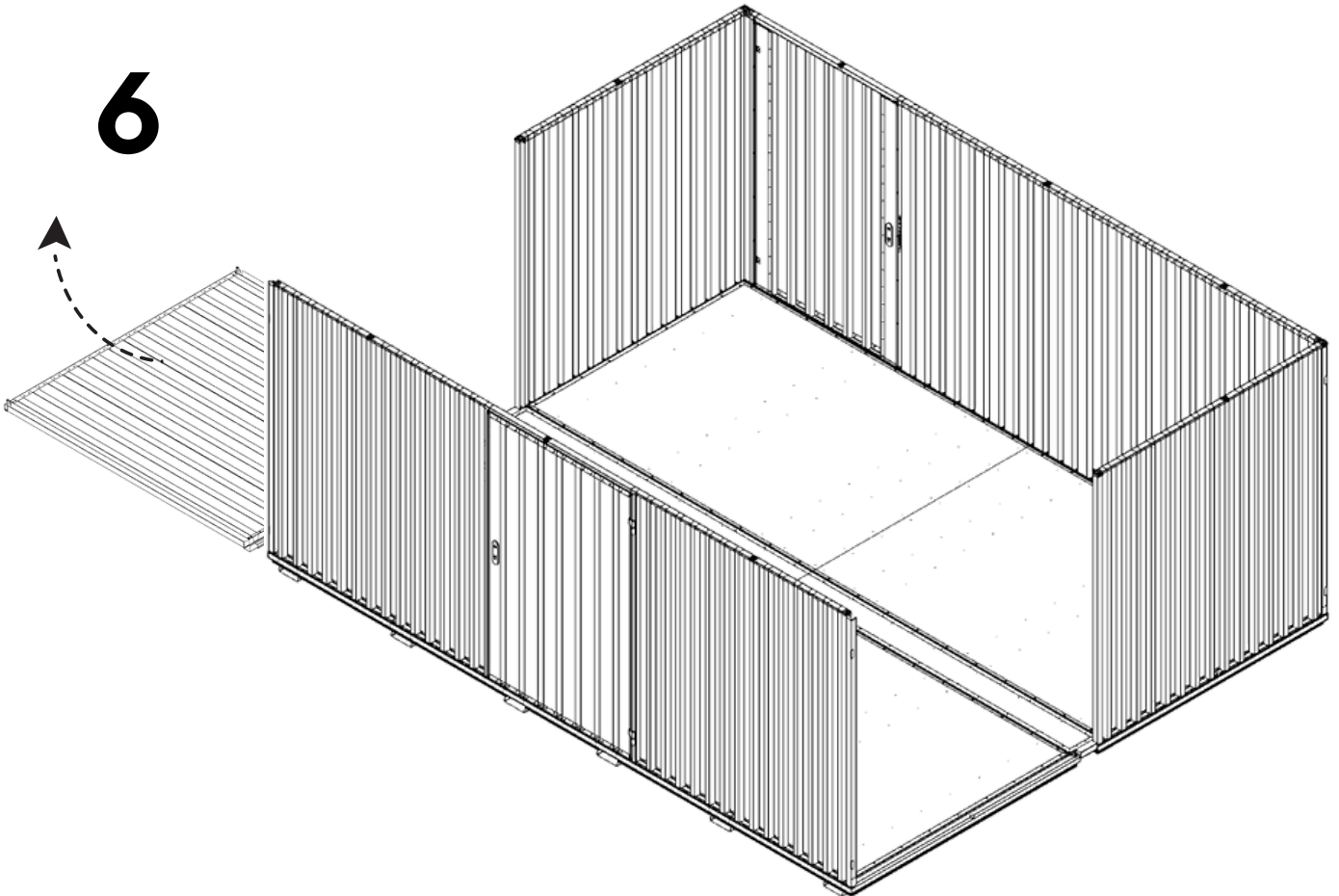
**4.1**



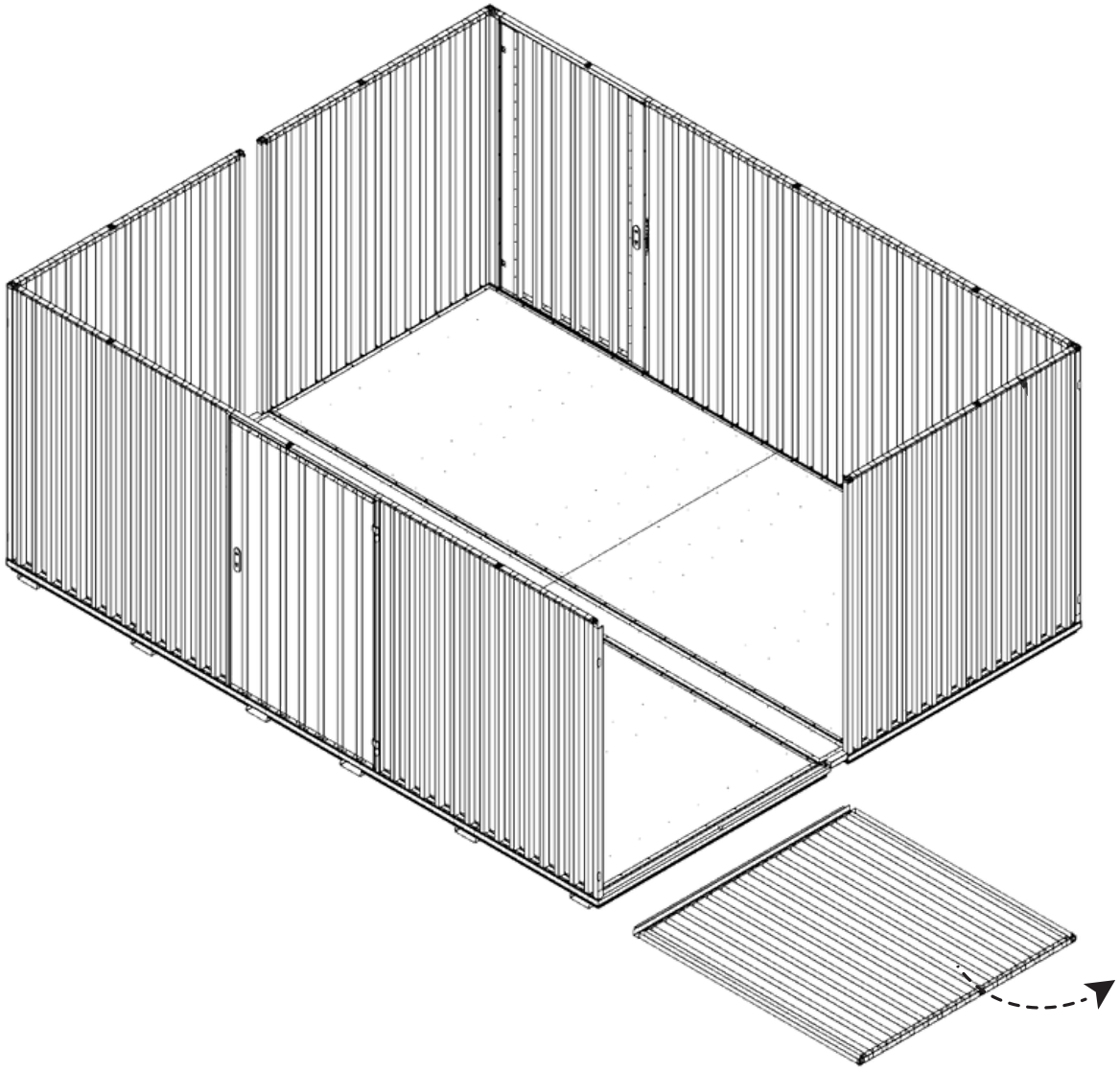
5



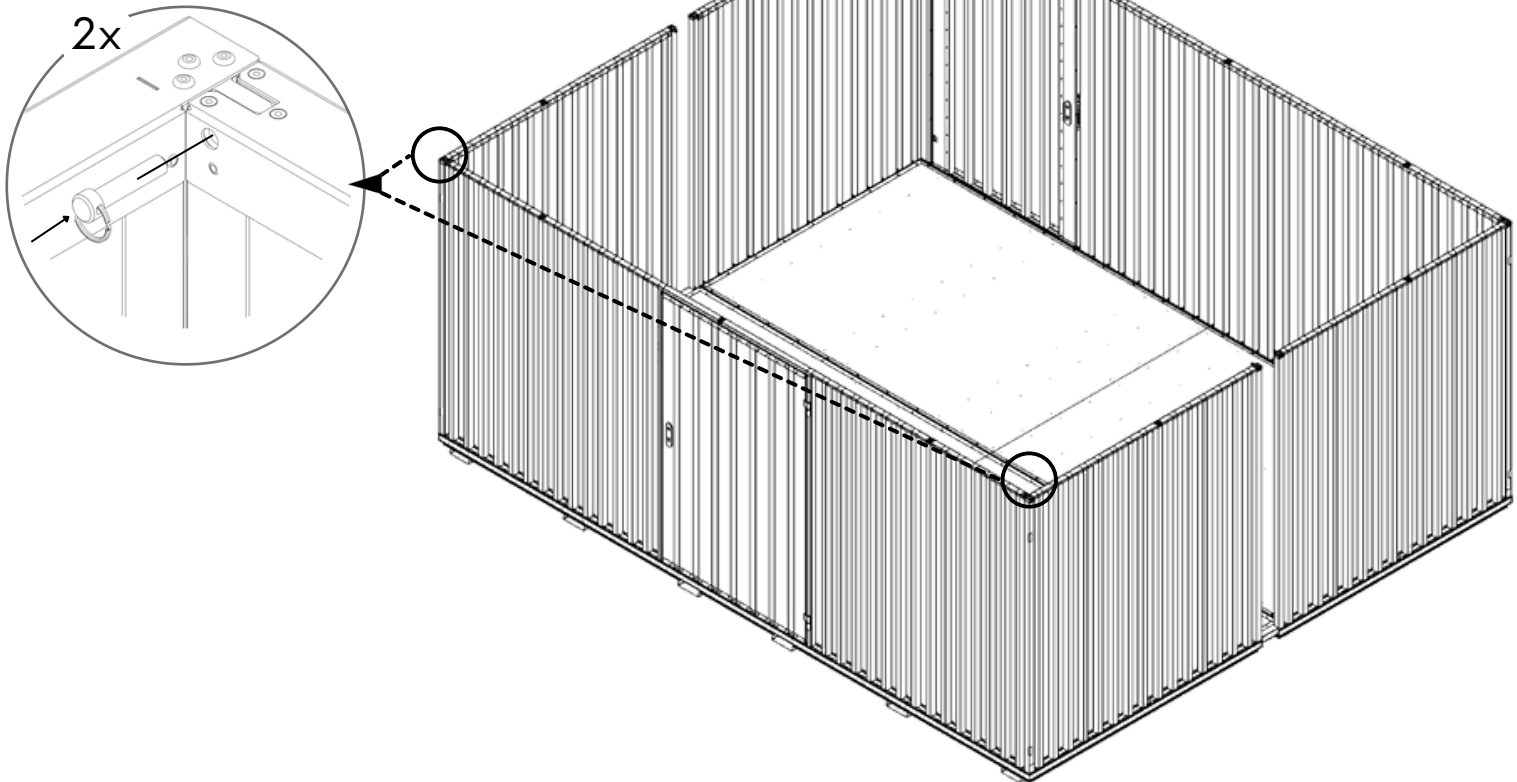
6



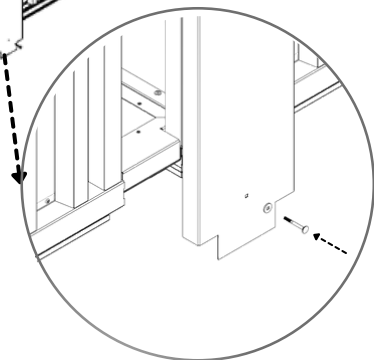
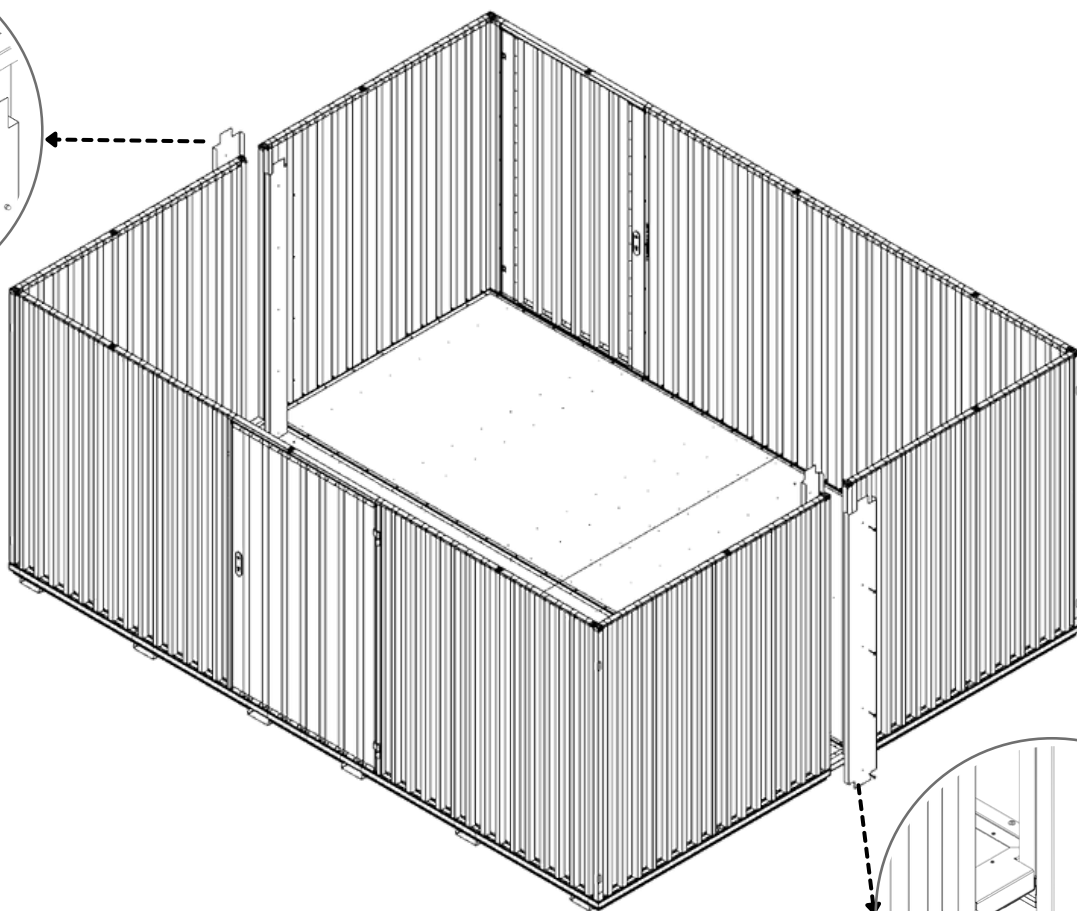
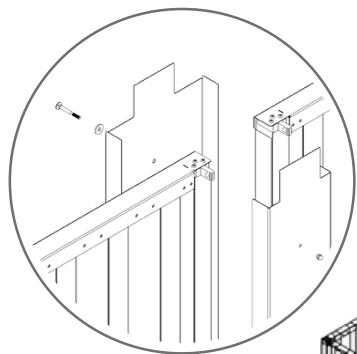
# 7



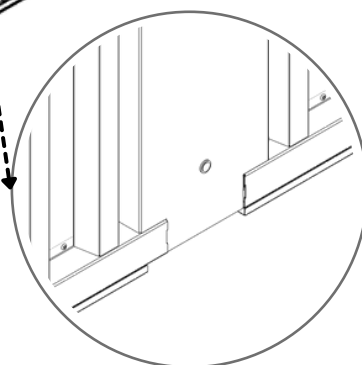
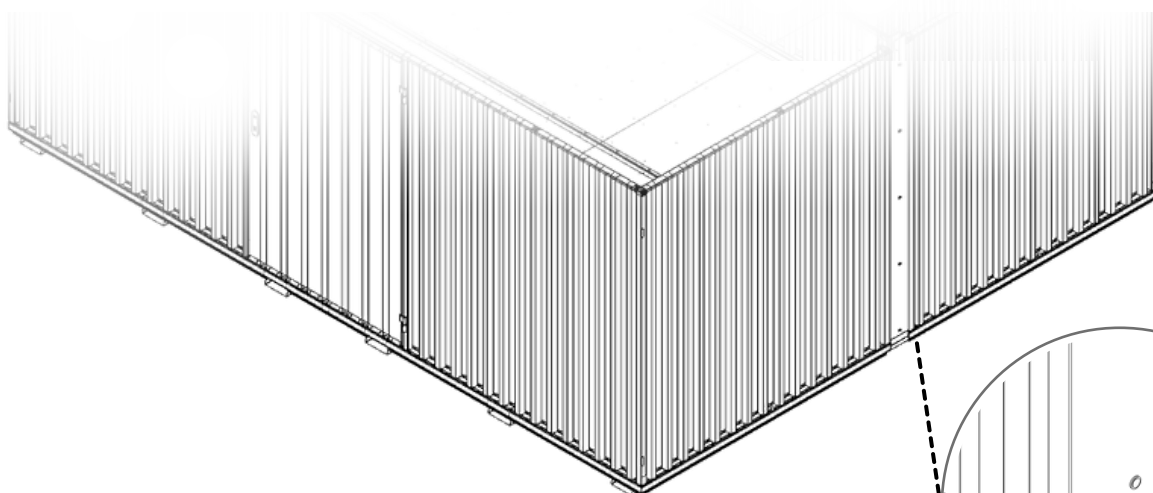
# 7.1



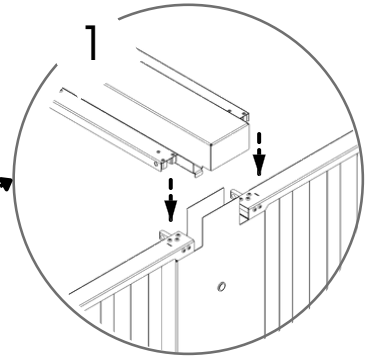
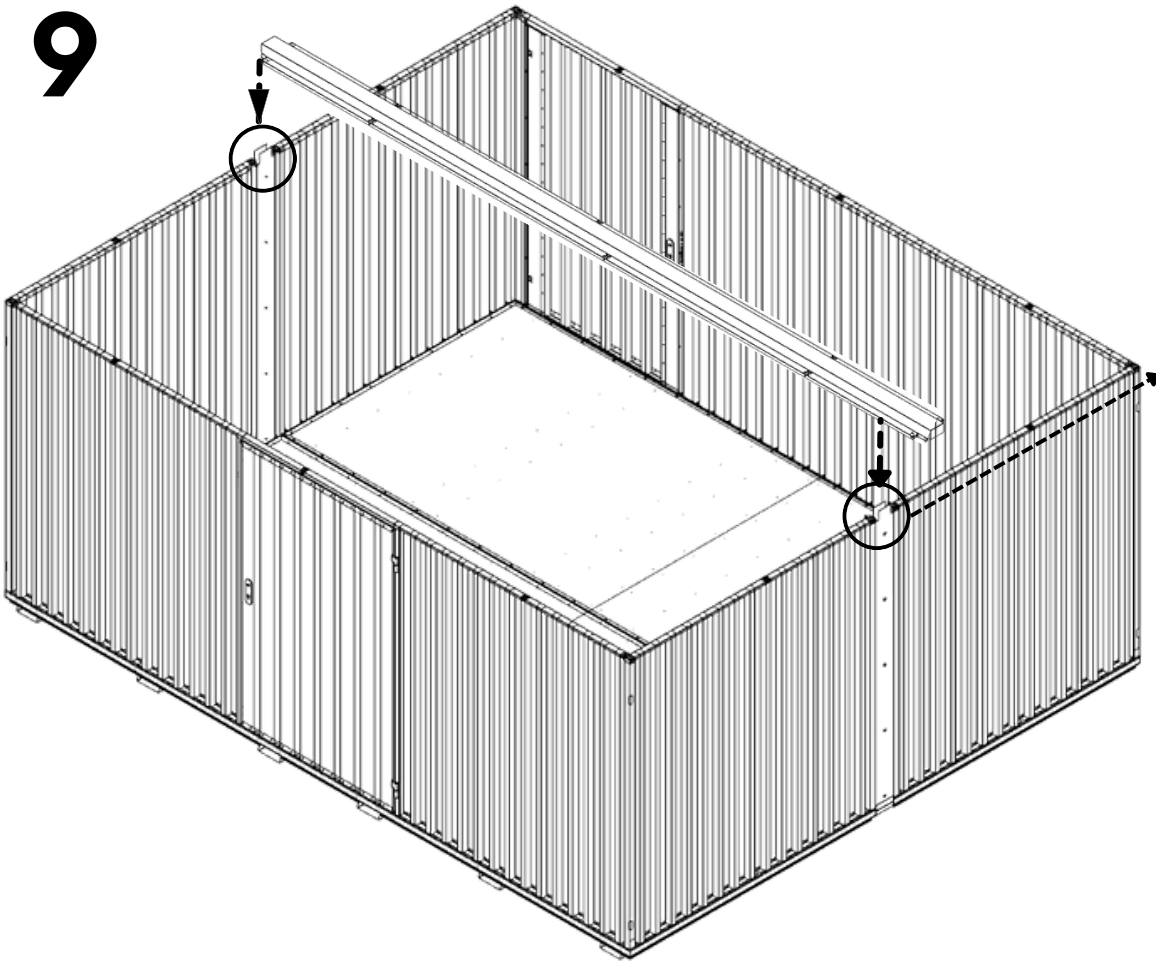
# 8



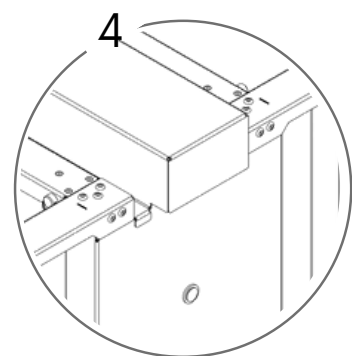
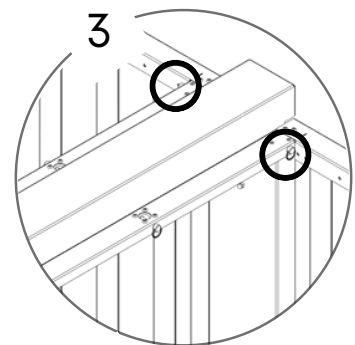
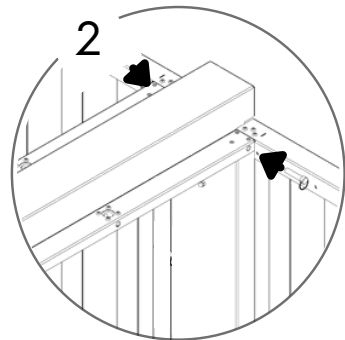
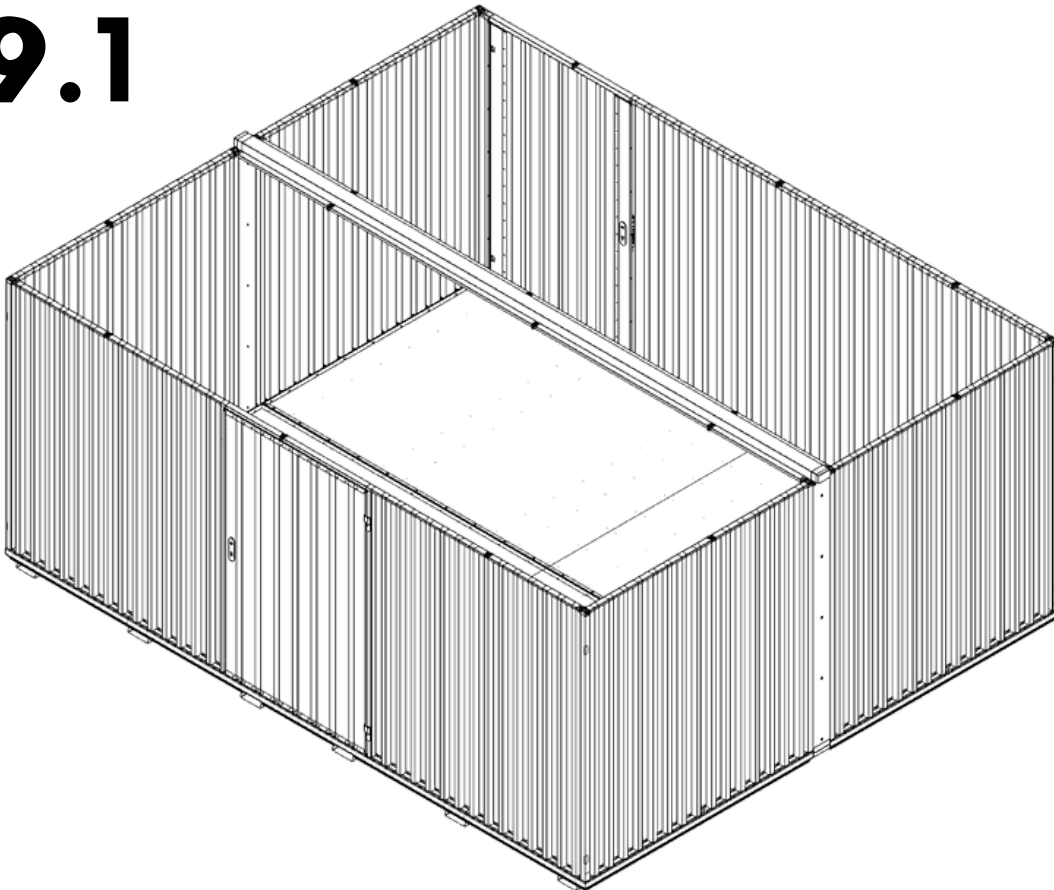
# 8.1



# 9











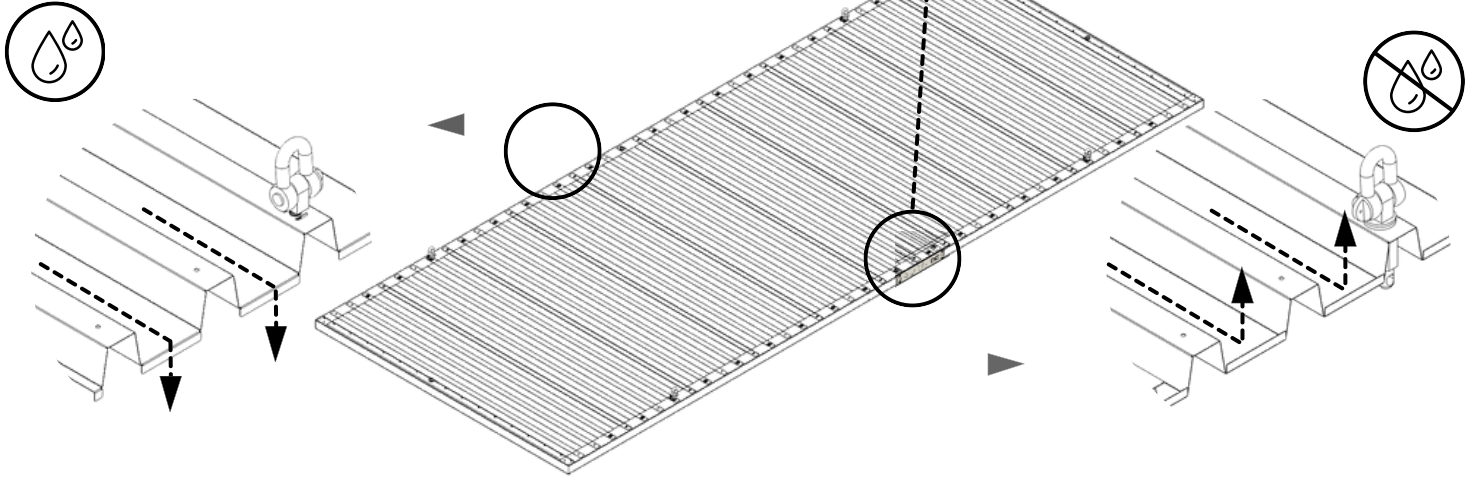
# 9.1



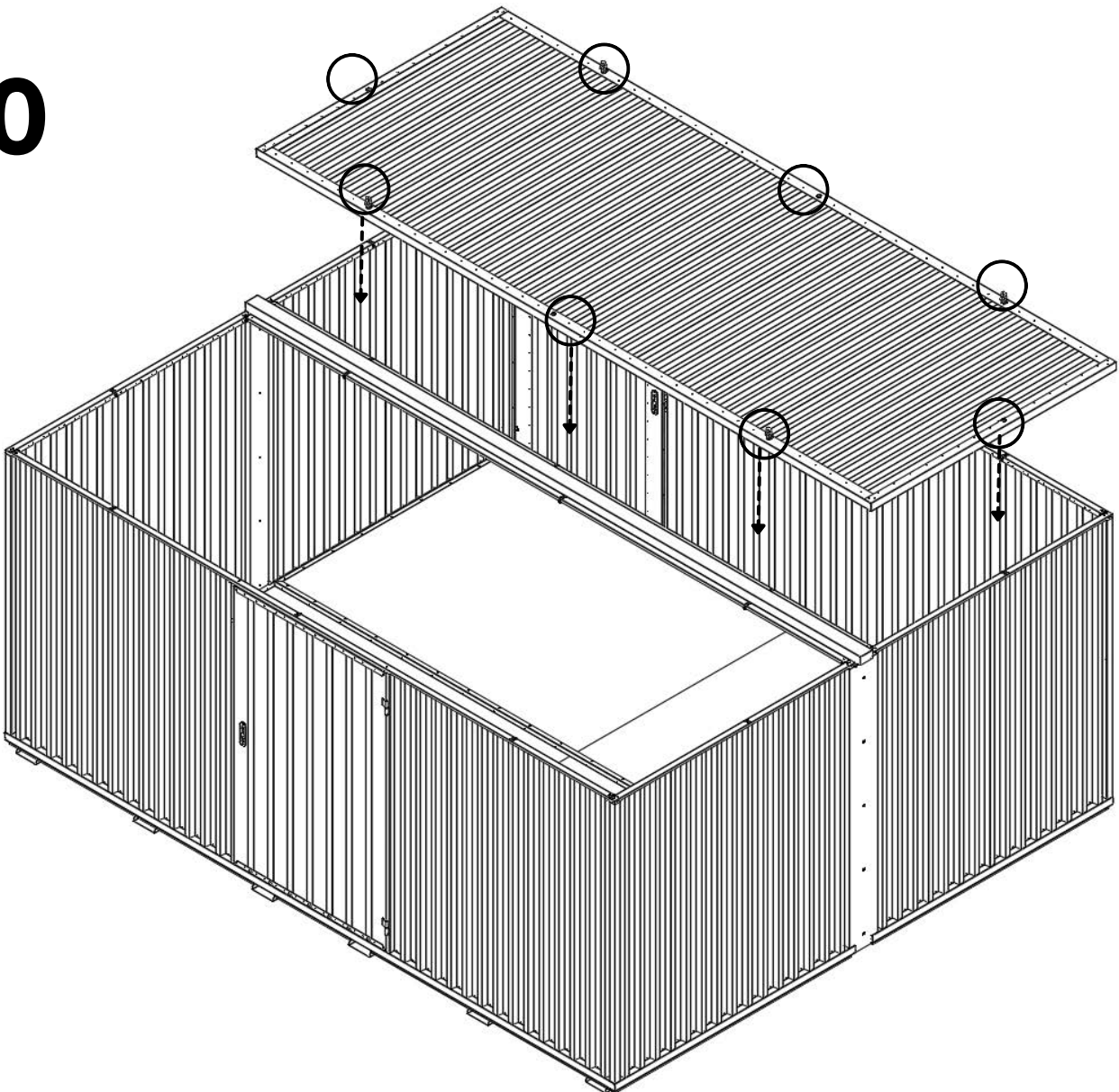




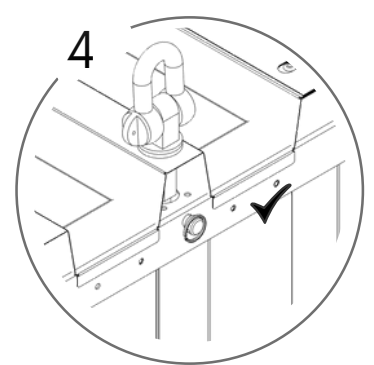
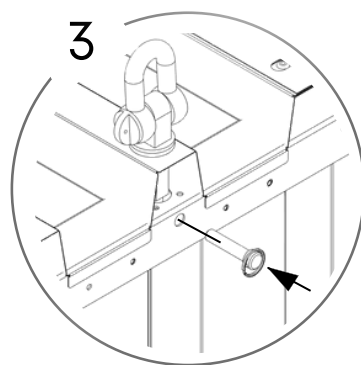
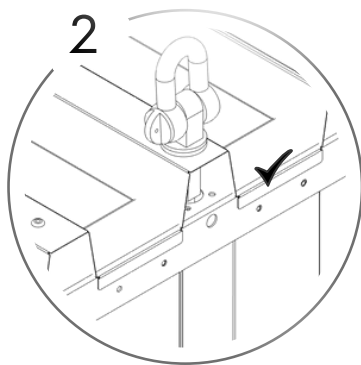
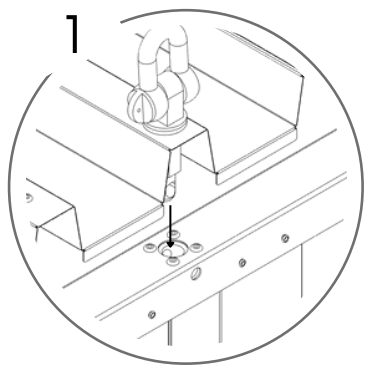
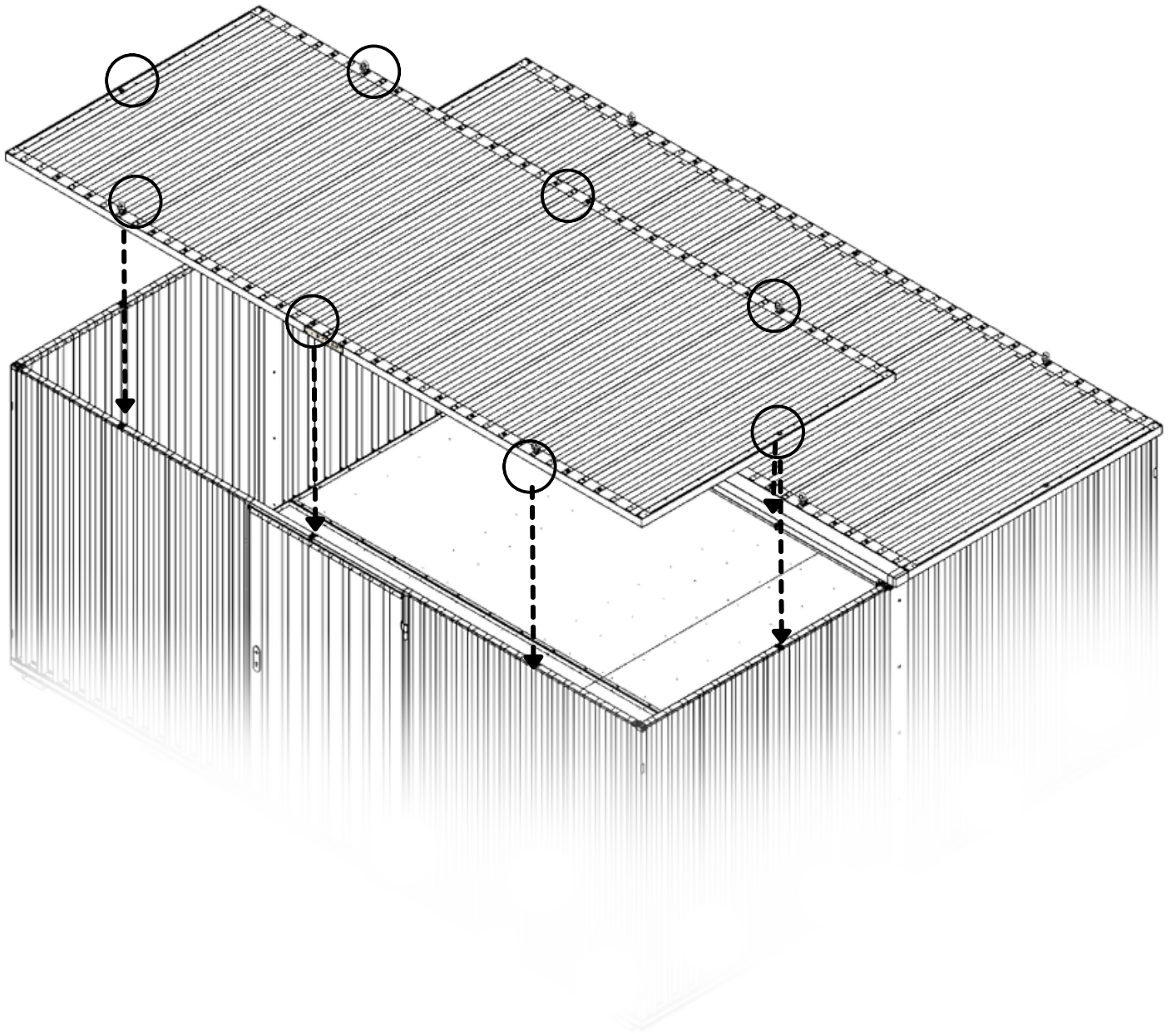
 886 KG	 1640 MM	Model Code: 505.110.420.440 Production Tracking Code: ...../X09.1.505.420.440	 9001	 14001	 50001			
---	--	---	---	--	--	---	---	---



**10**

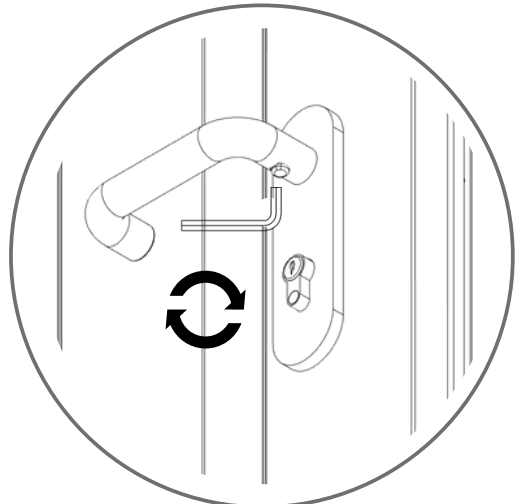
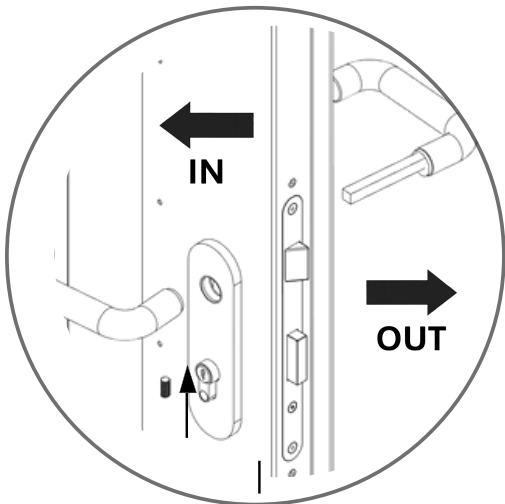
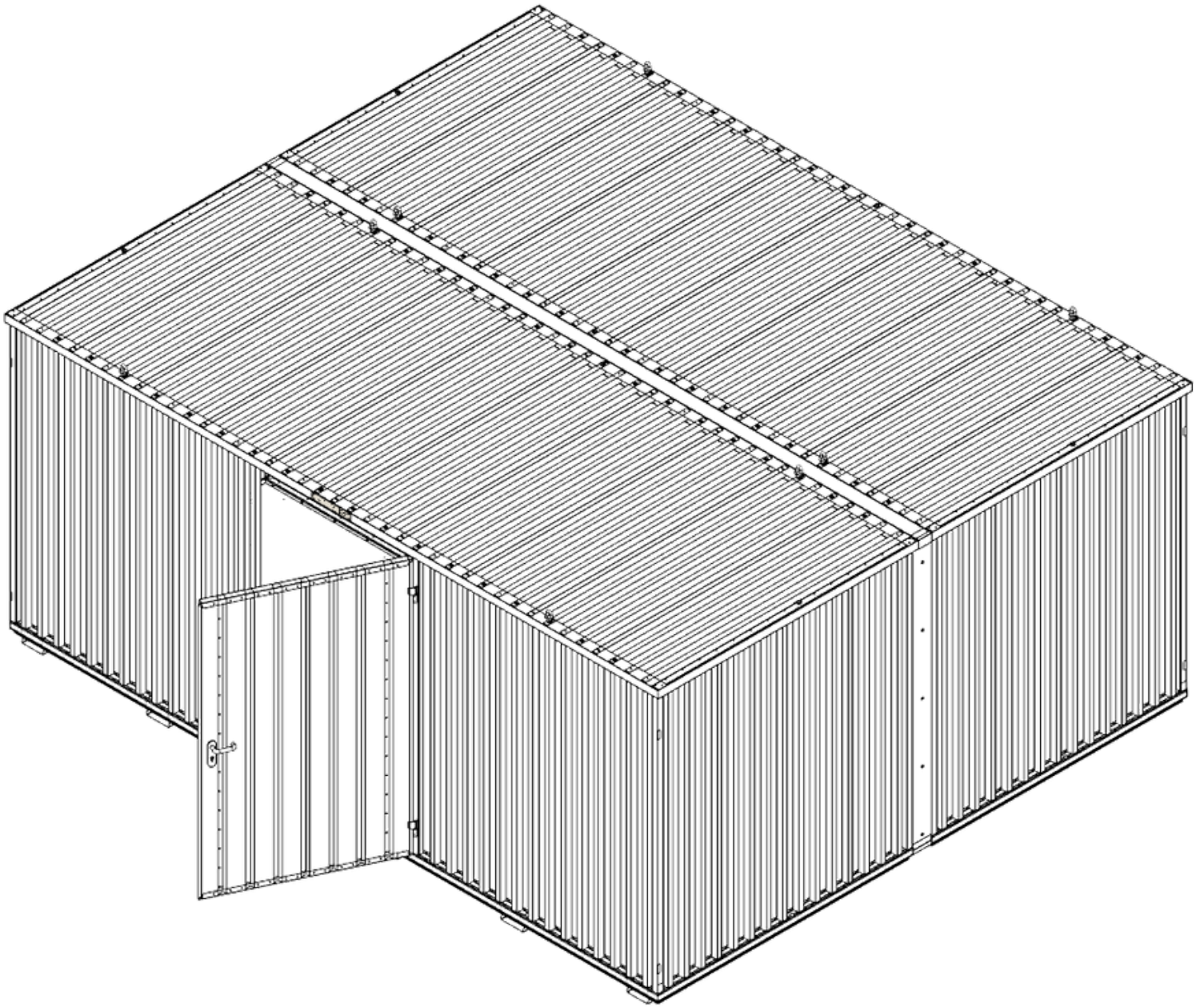


# 11





# 12



13

