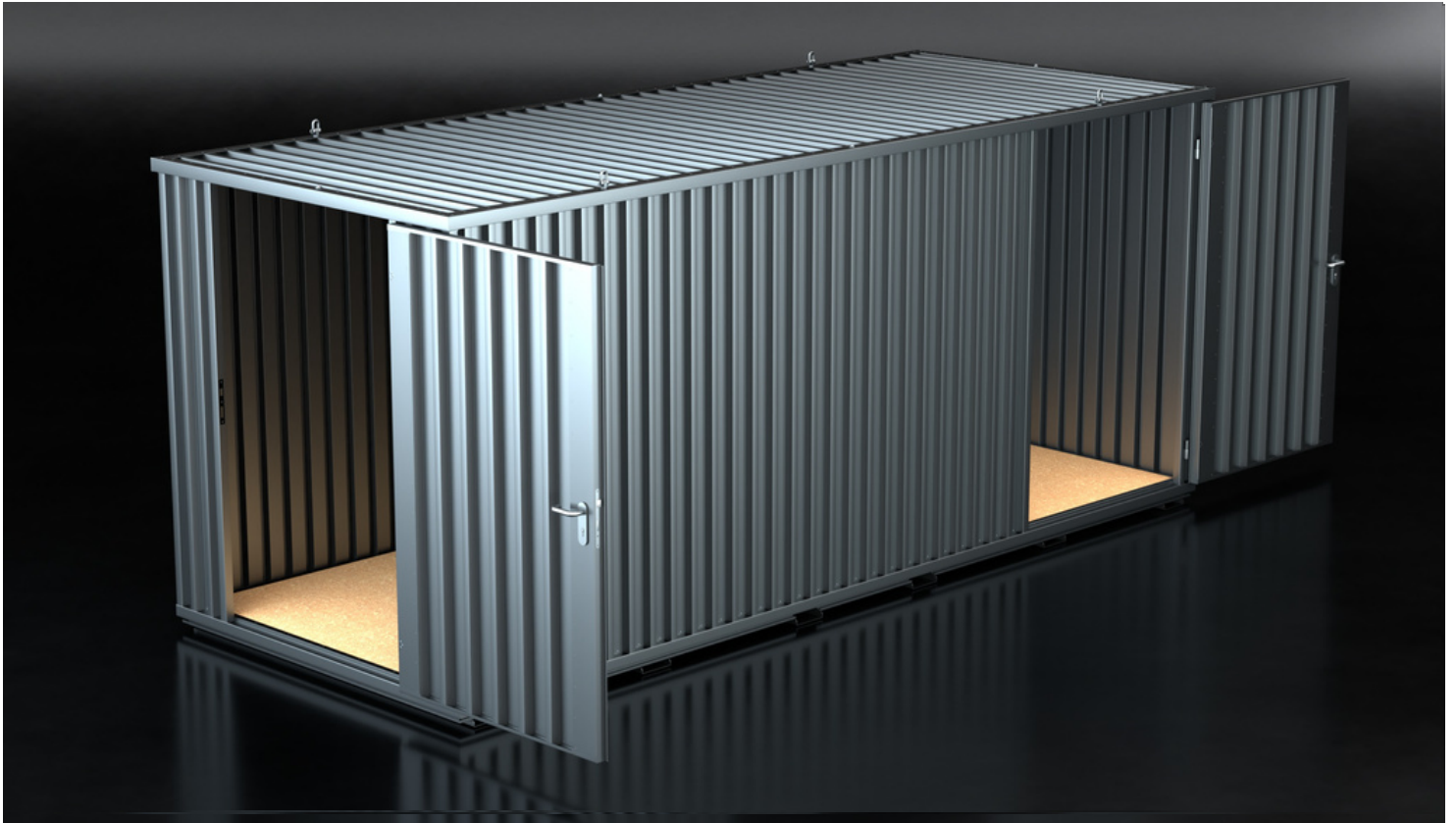


PRODUCT CODE:50.110.440.320

prefabase
Quick Build Solutions

Instructions and User Guide



50.0110

1x

50.0440/0210

1x

50.0410

1x

0210/0320

1x

0310

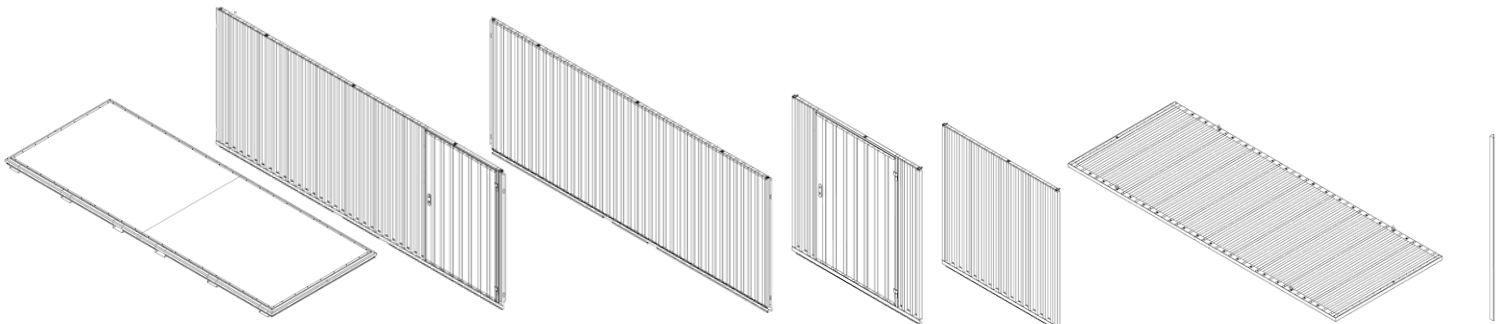
1x

50.0510

1x

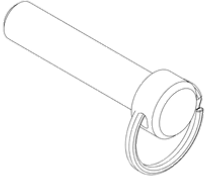
0099.61.101

4x

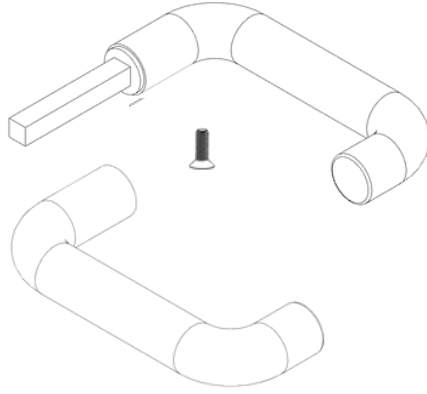




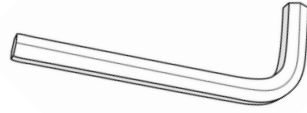
12x



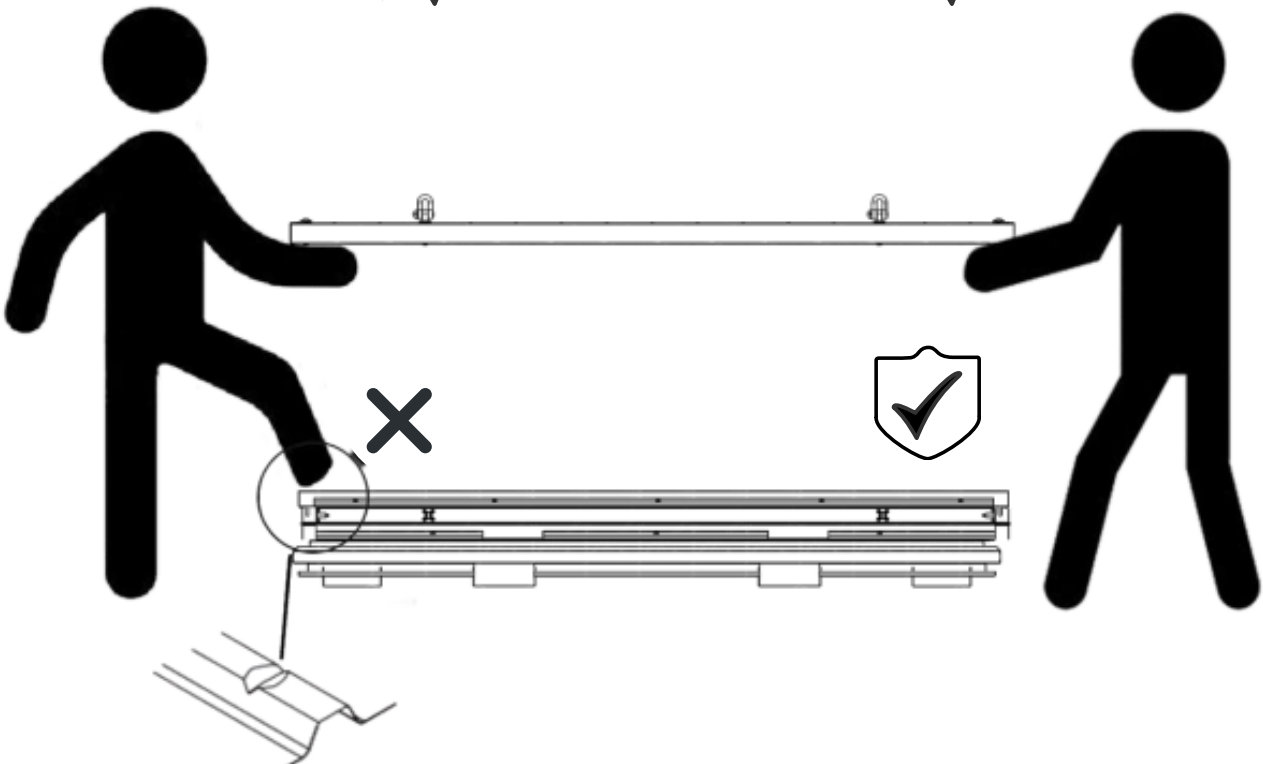
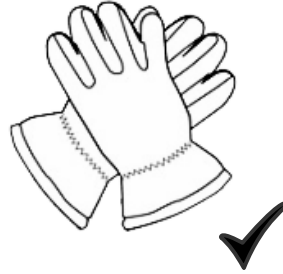
2x



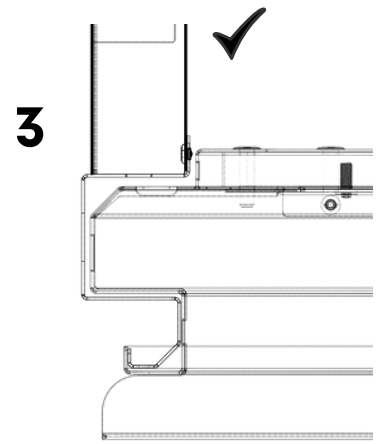
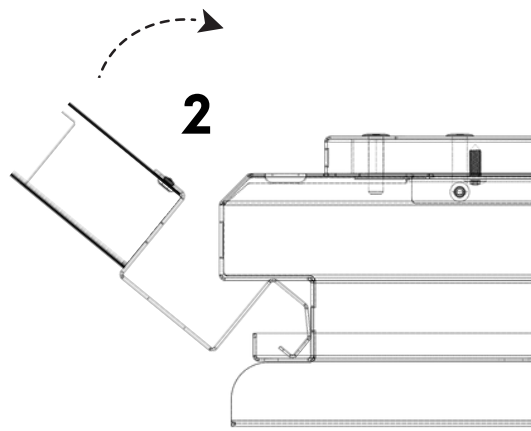
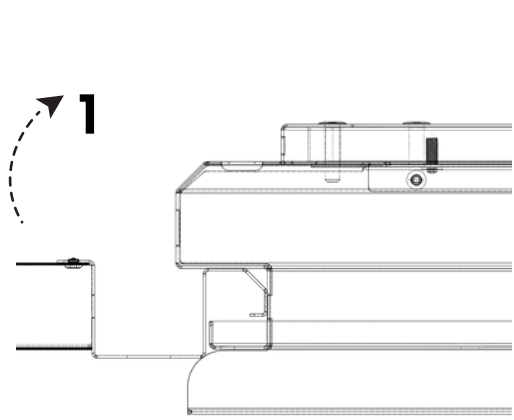
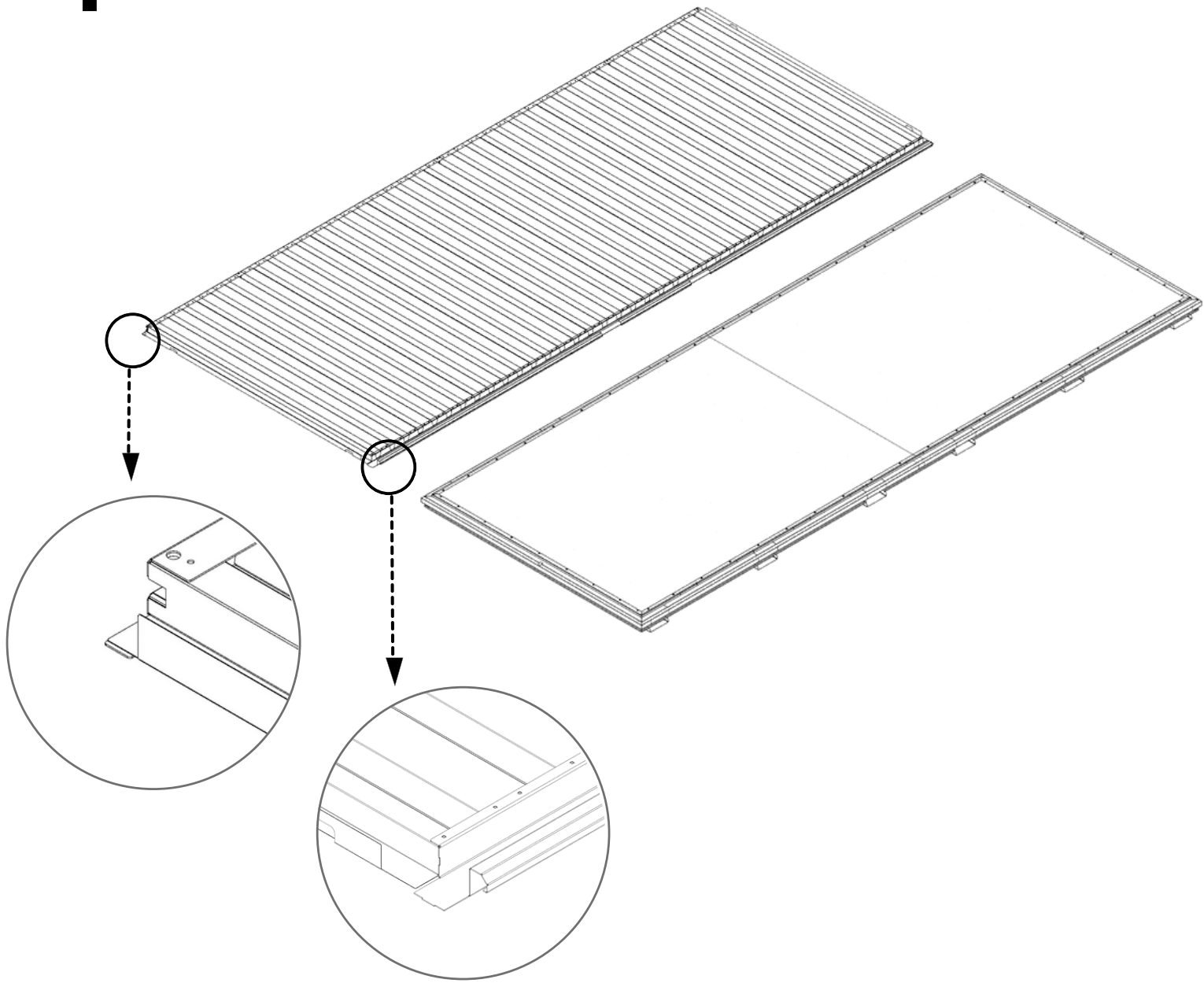
1x



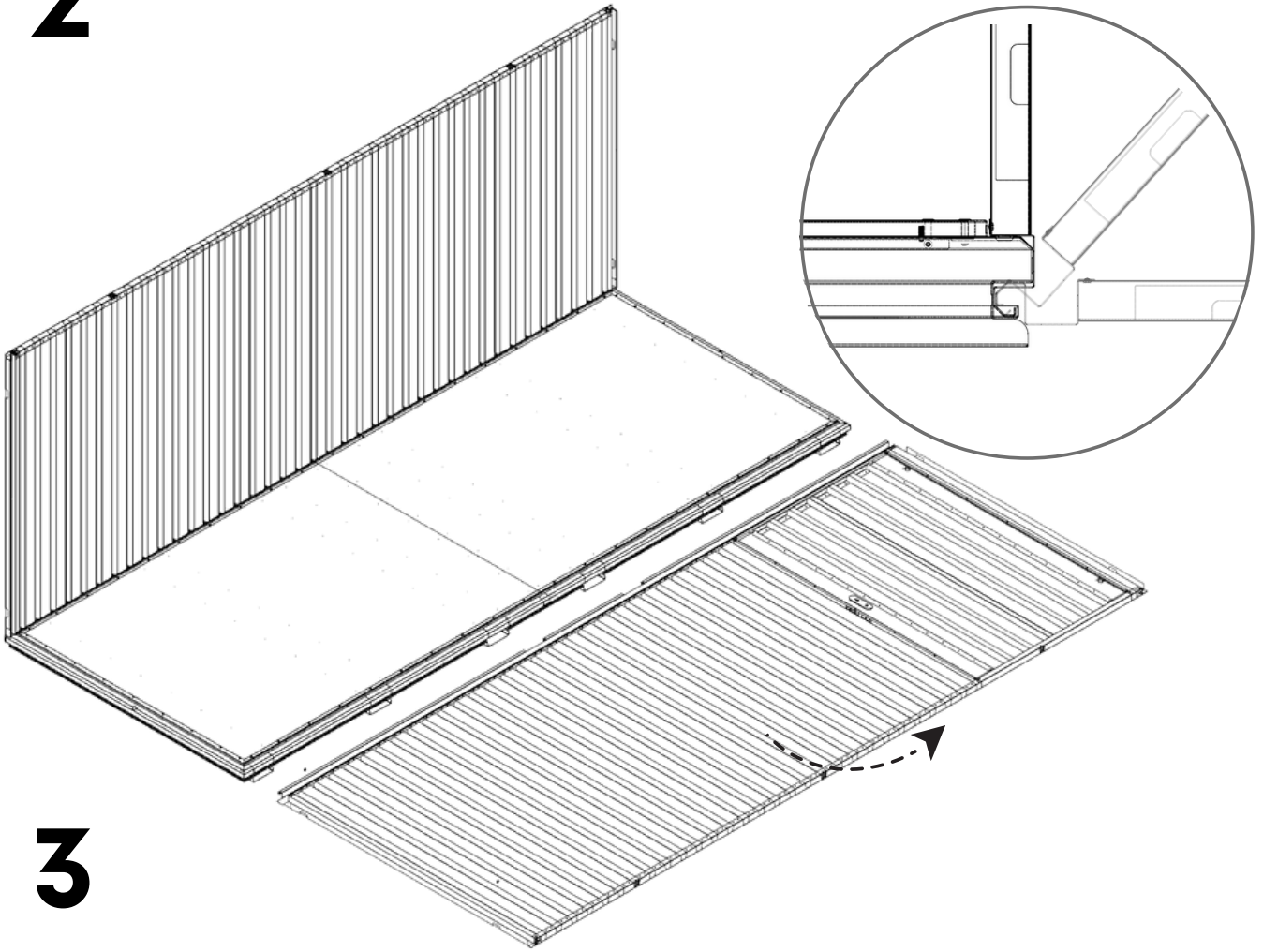
2x



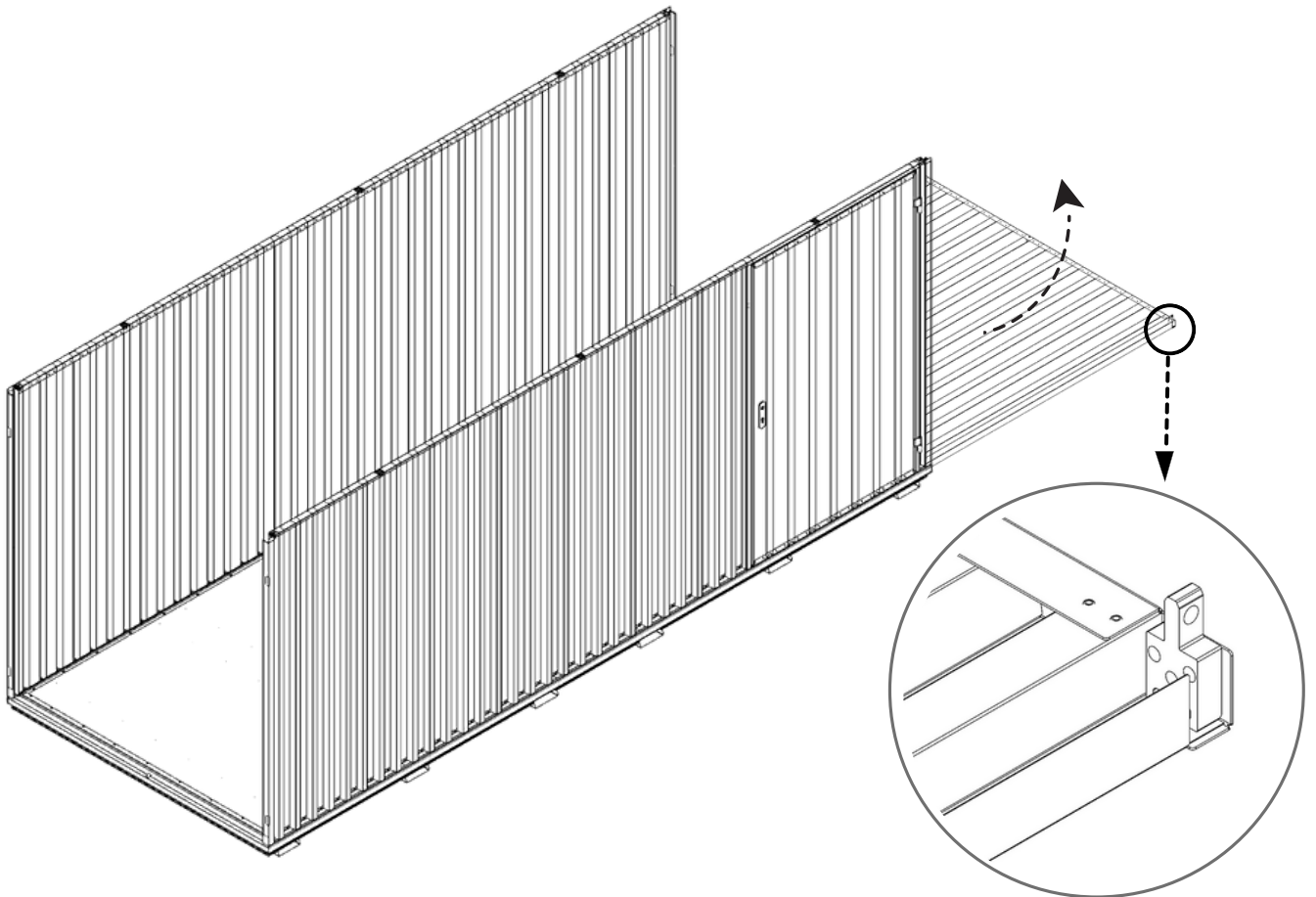
1



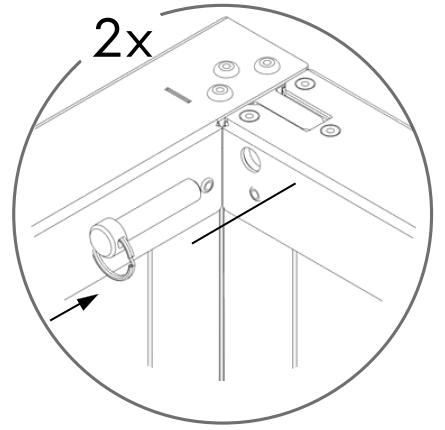
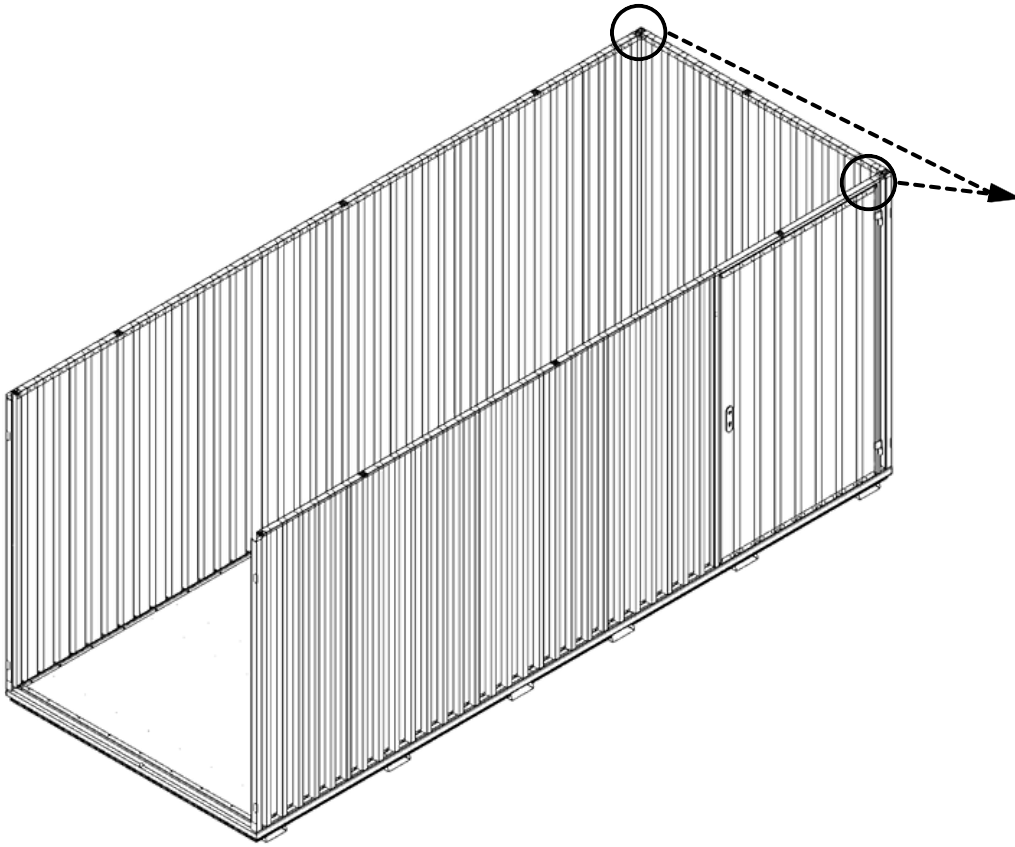
2



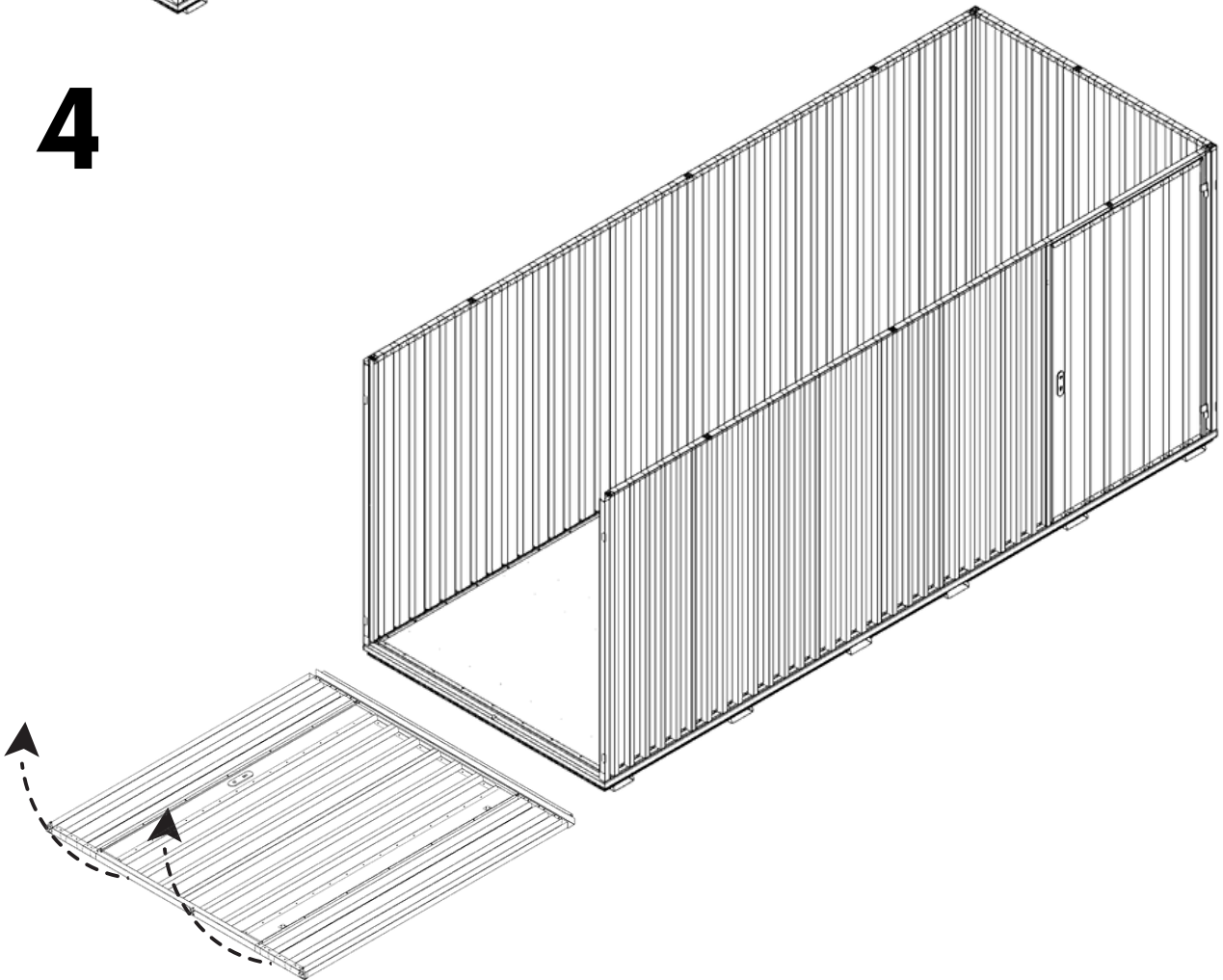
3



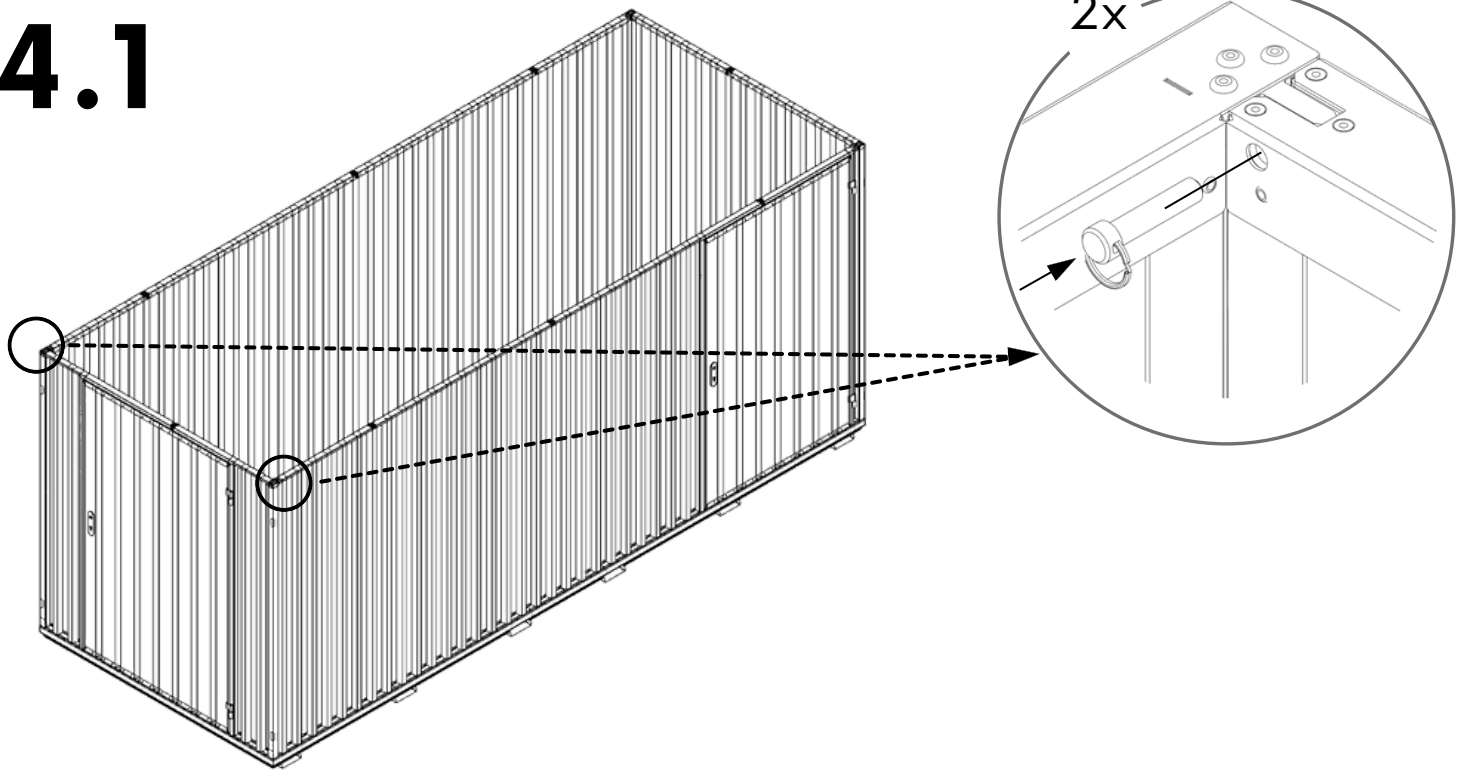
3.1












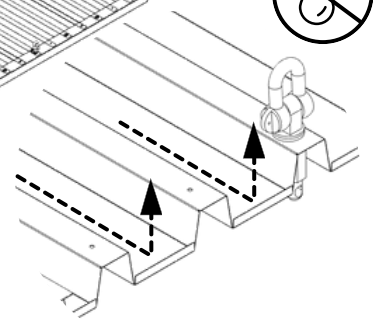
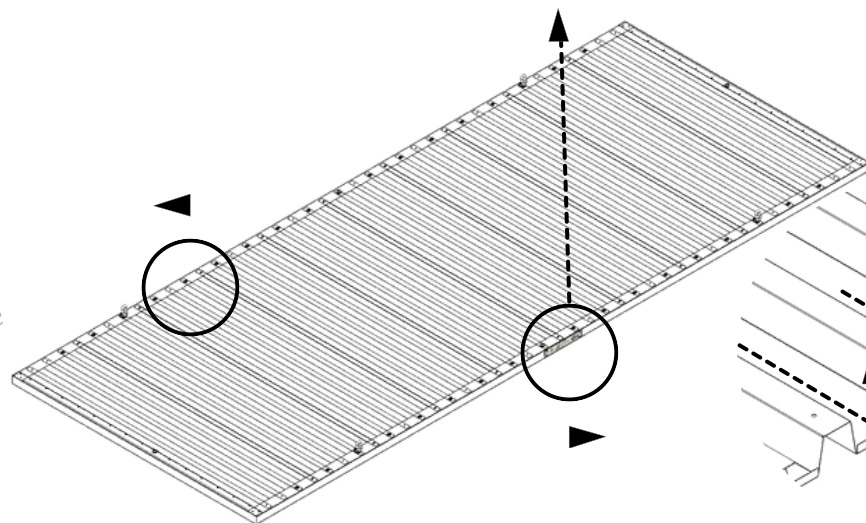
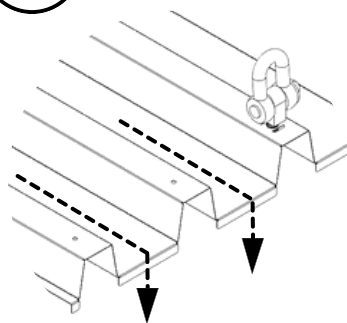
4



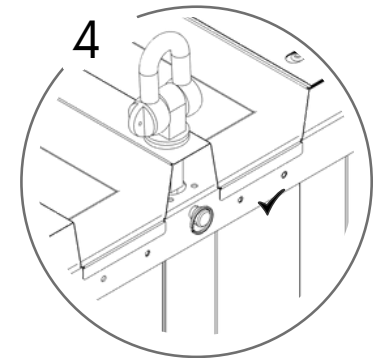
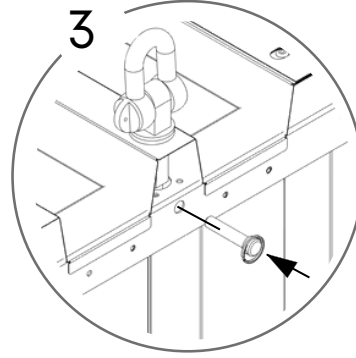
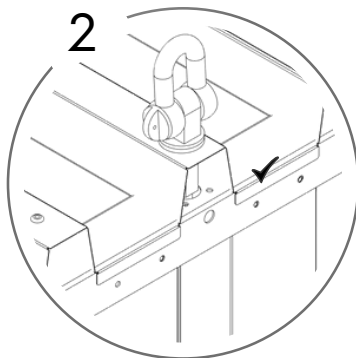
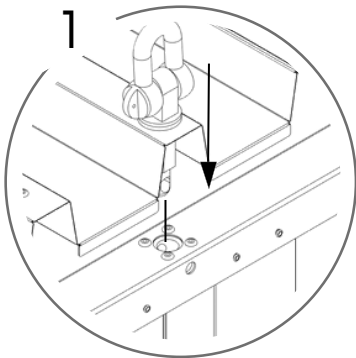
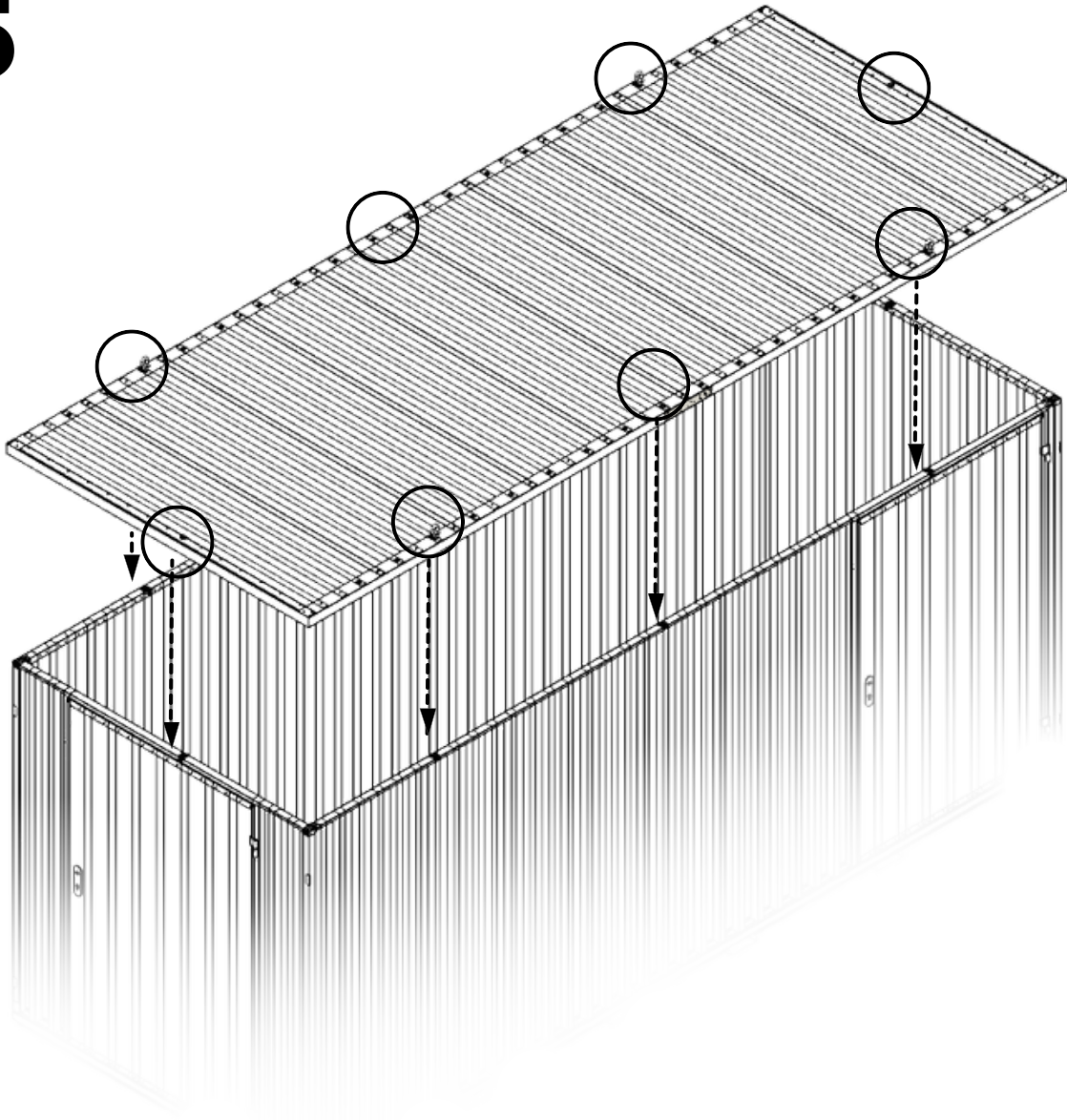
4.1



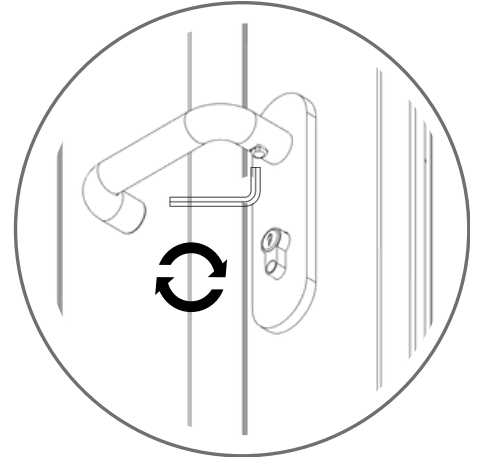
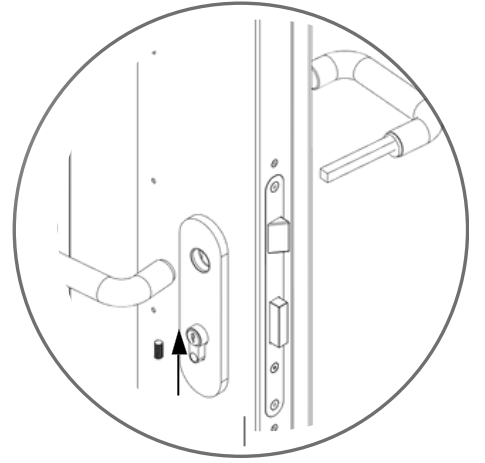
 336 KG	 3 TON	 1640 MM	Model Code: 30.110.440 Production Tracking Code:X09.1.30.440  9001  14001  50001	  
---	--	--	---	---



5



6



7

