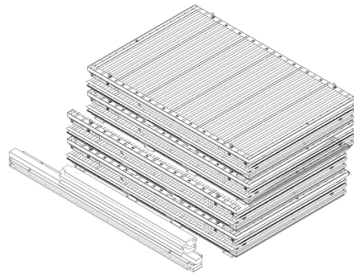


PRODUCT CODE:4030.110.320.331

prefabase
Quick Build Solutions

Instructions and User Guide



40.0110
1x

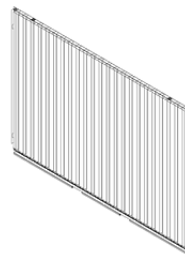
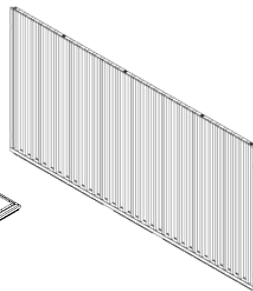
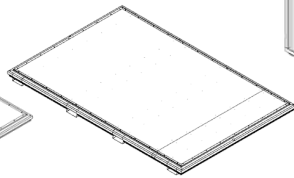
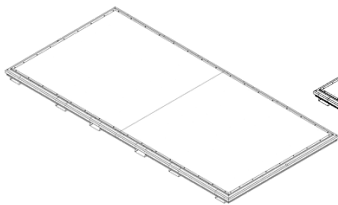
30.0110
1x

40.0410
2x

30.0410
2x

0320/0210
1x

0330/0220/0230
1x



40.0510
1x

30.0510
1x

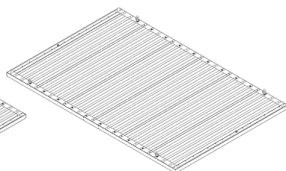
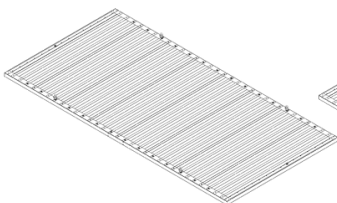
0099.61.101
2x

306.0110
1x

3060.0099.40.05
2x

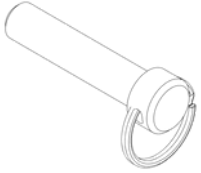
3060.0099.40.04
2x

306.0510
1x

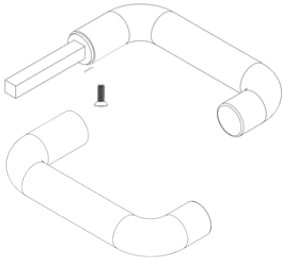




22x



2x



1x



2x



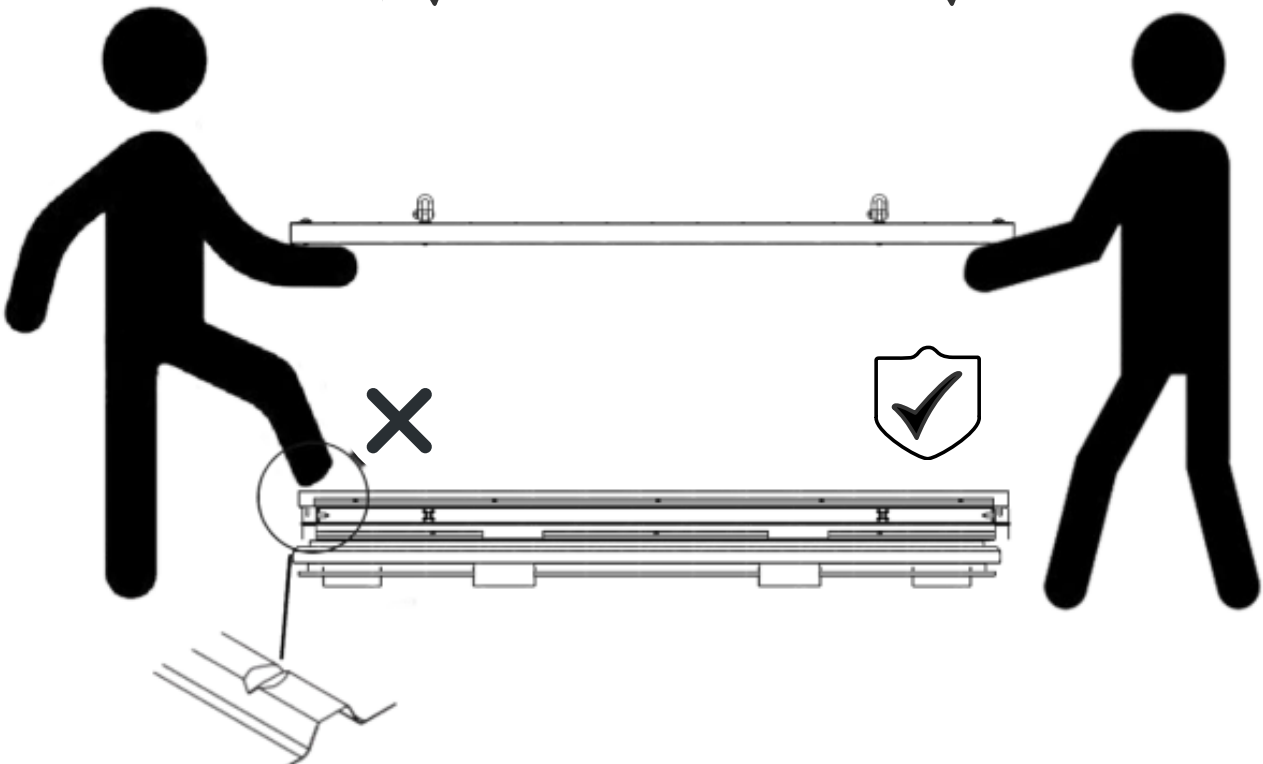
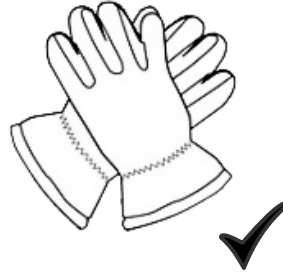
10x



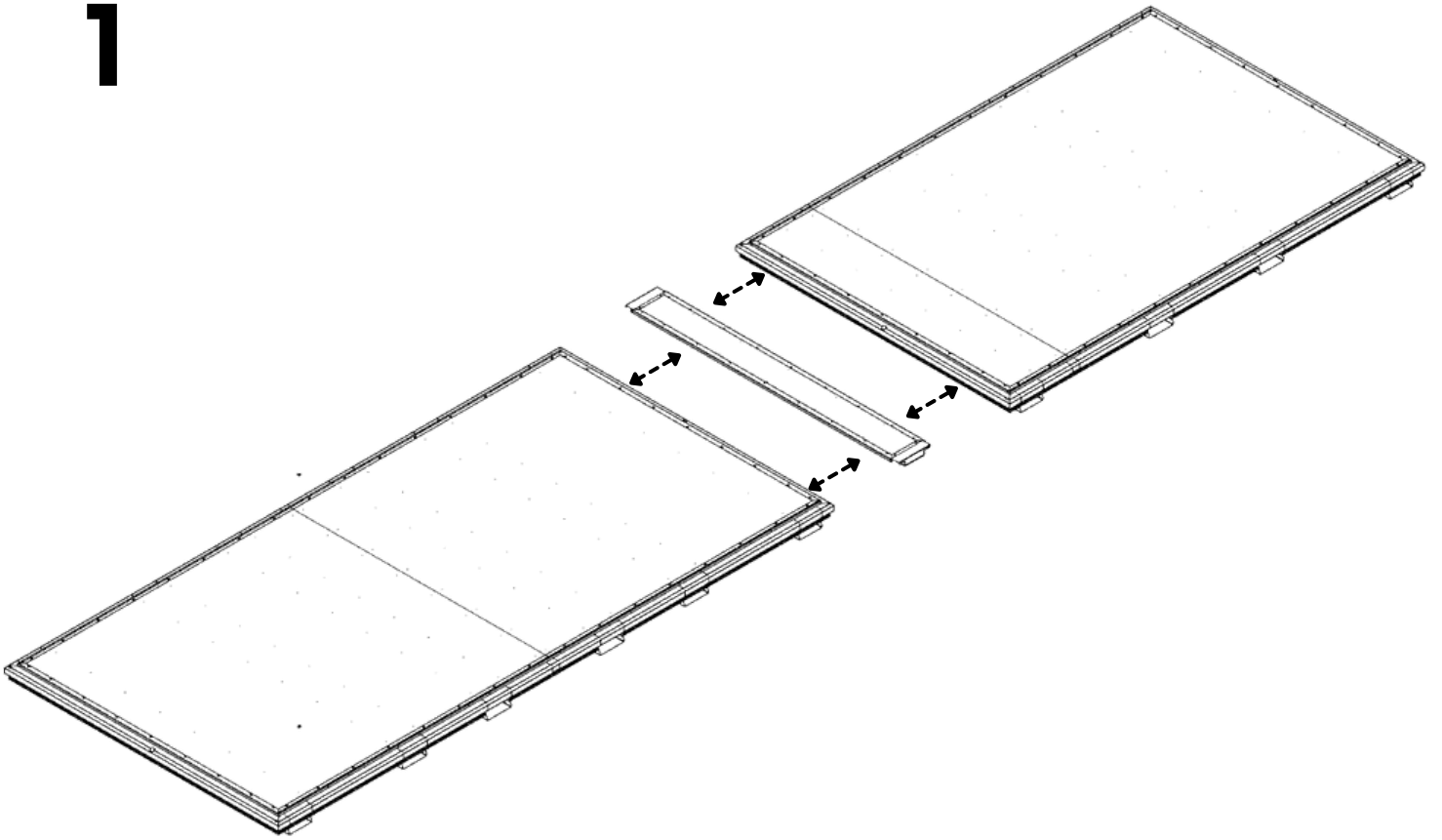
10x



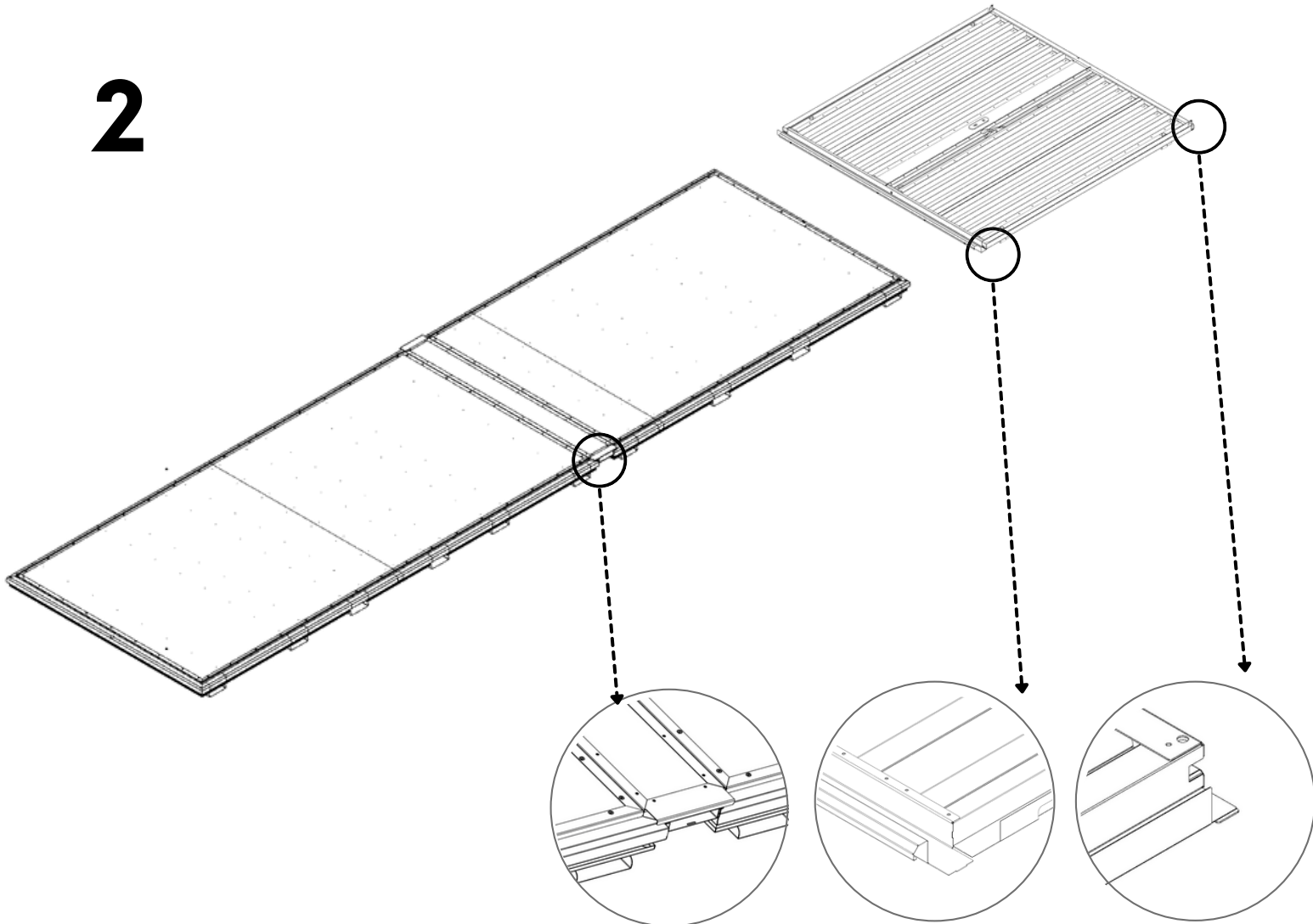
10x

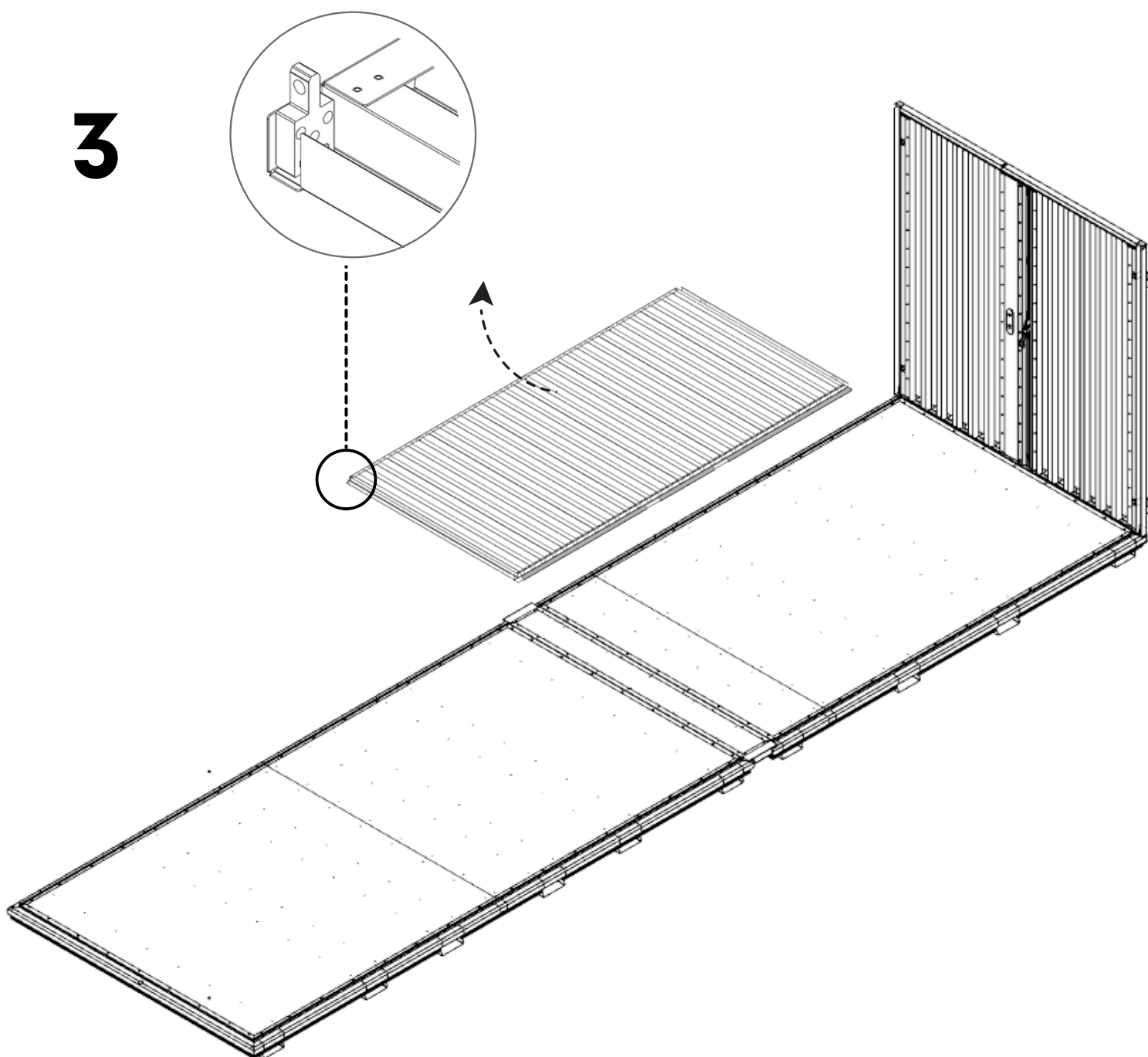
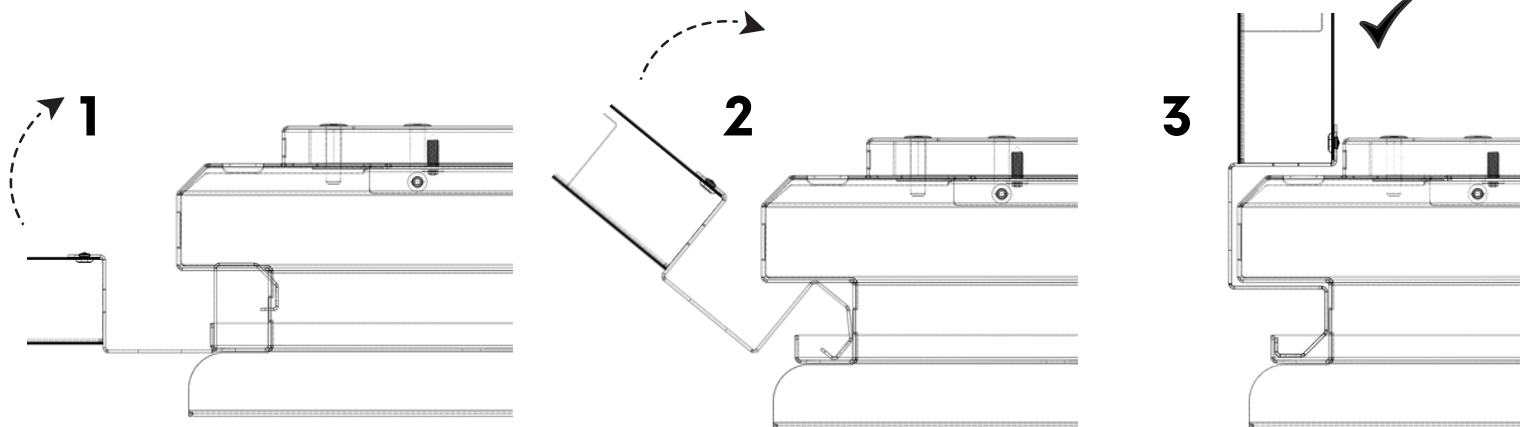


1

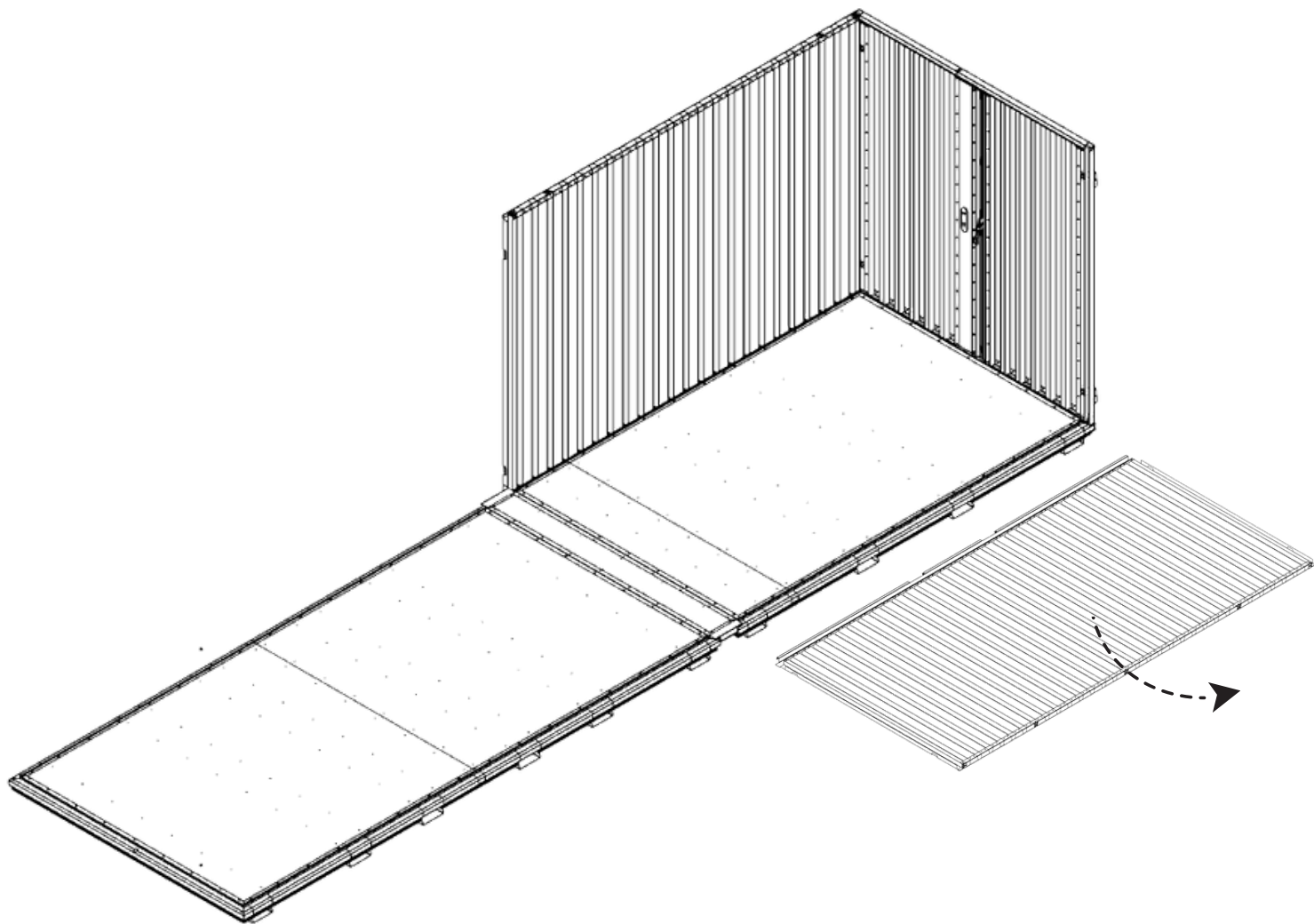


2

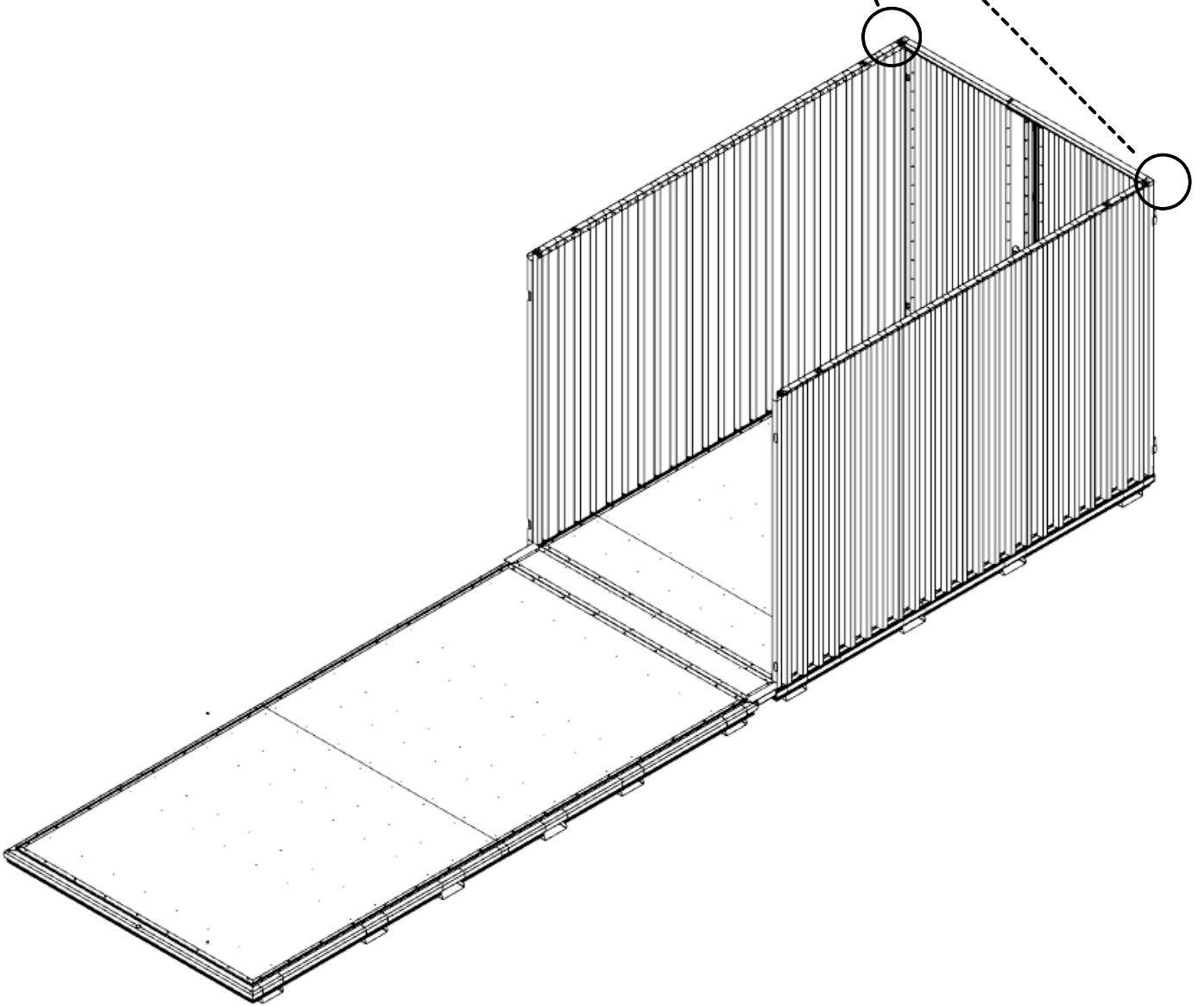
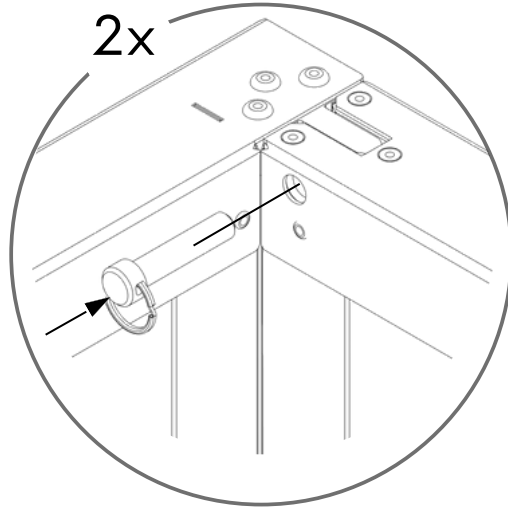




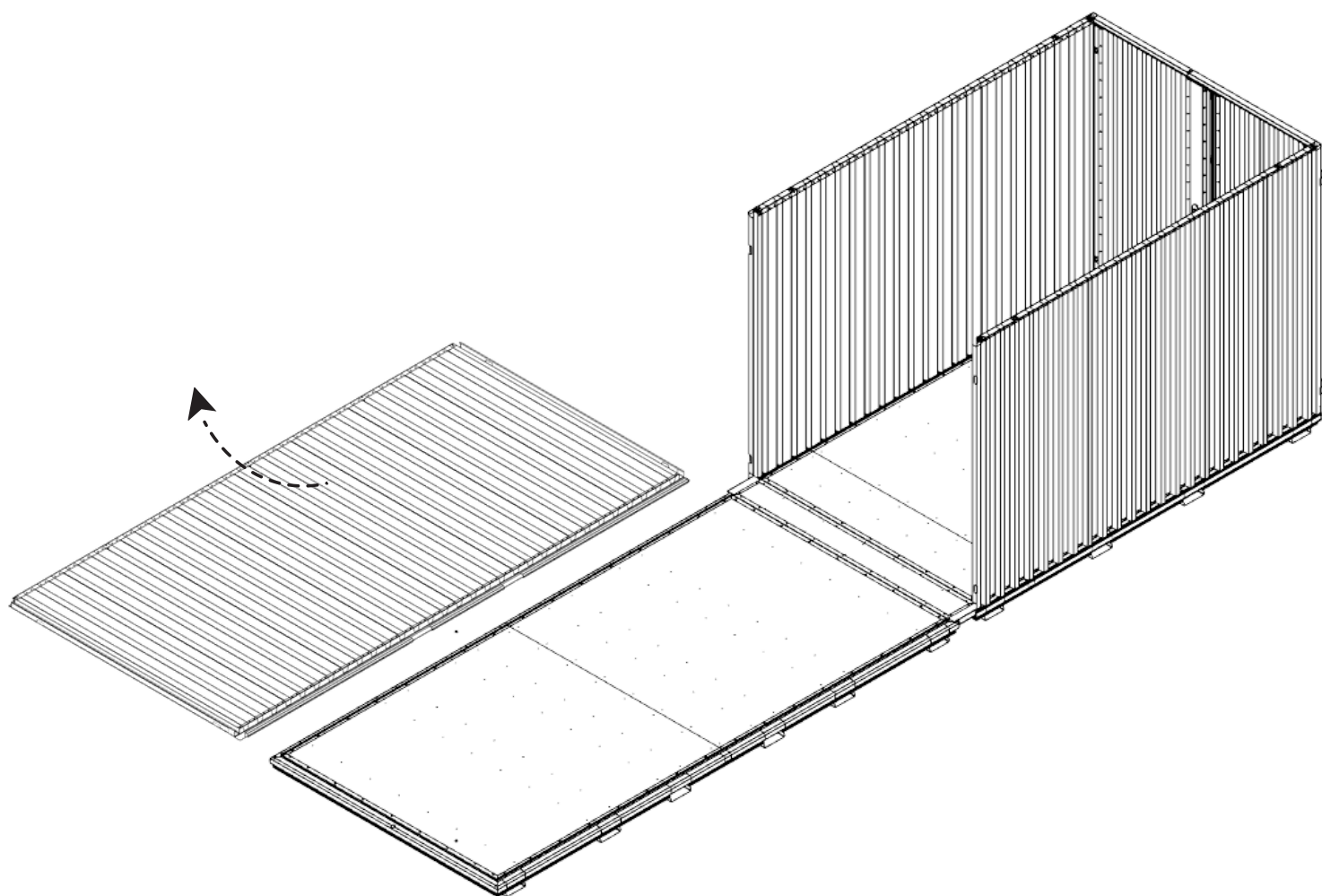
4



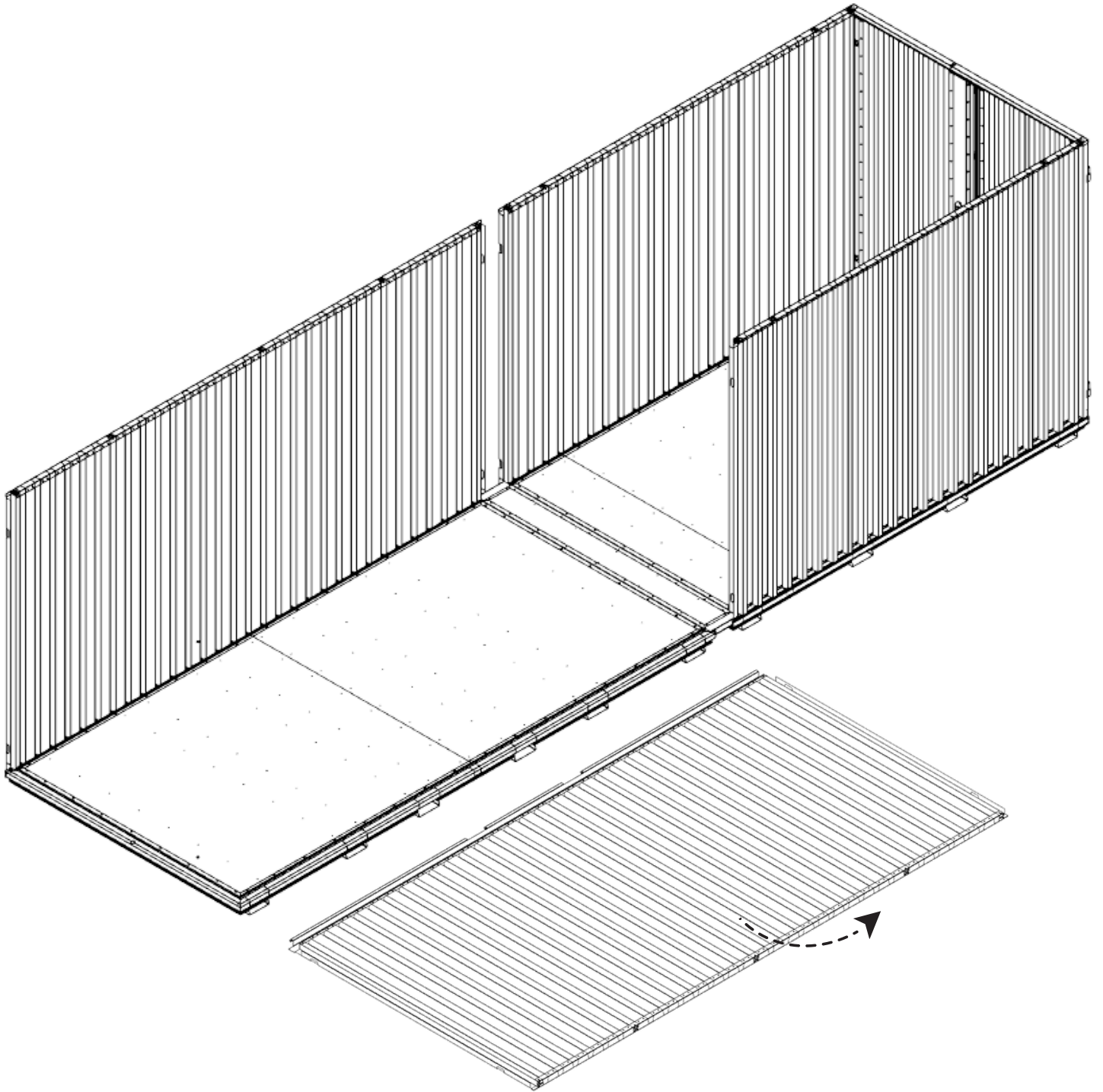
4.1



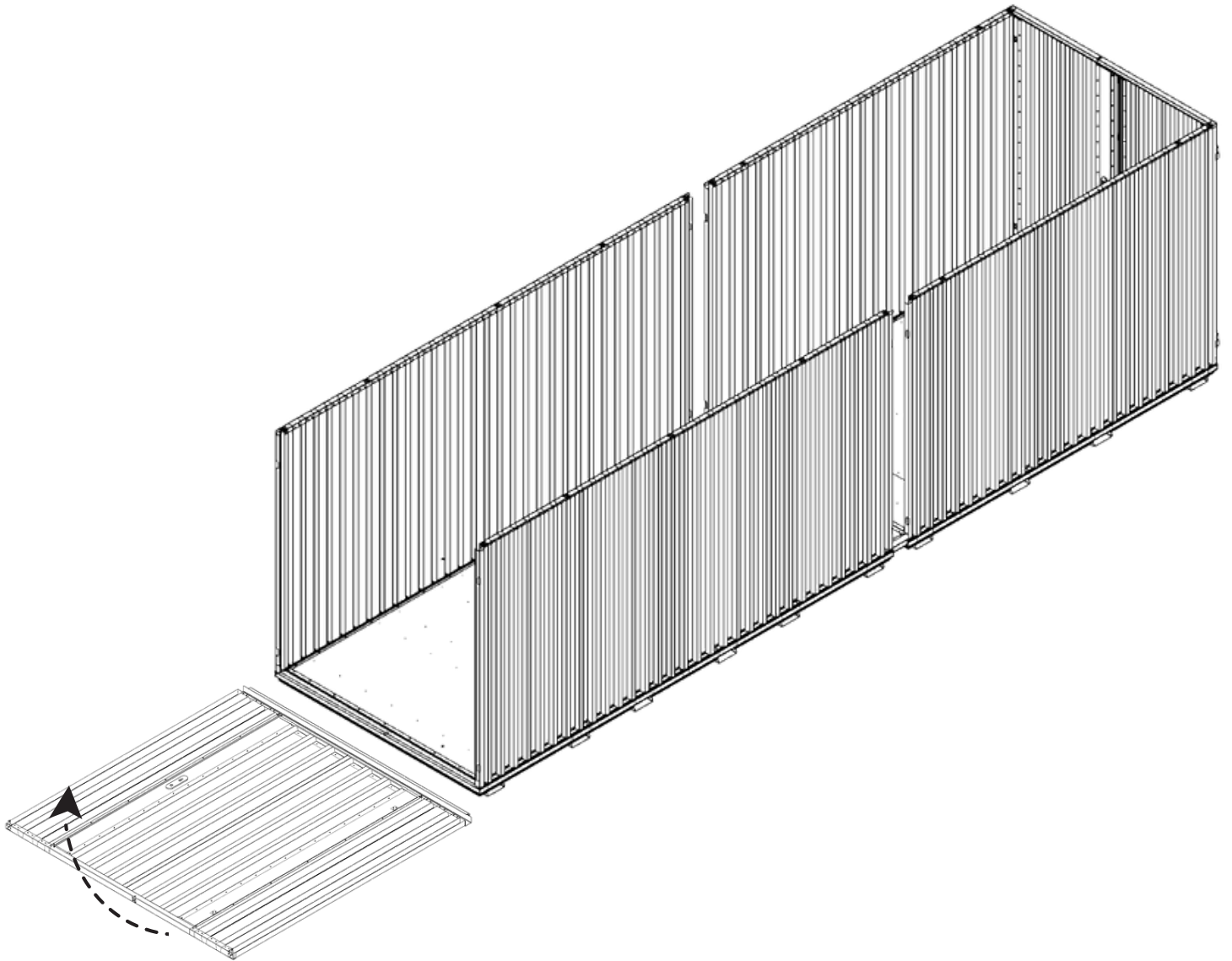
5



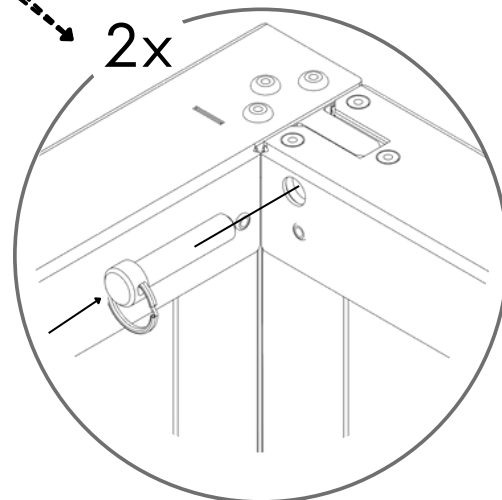
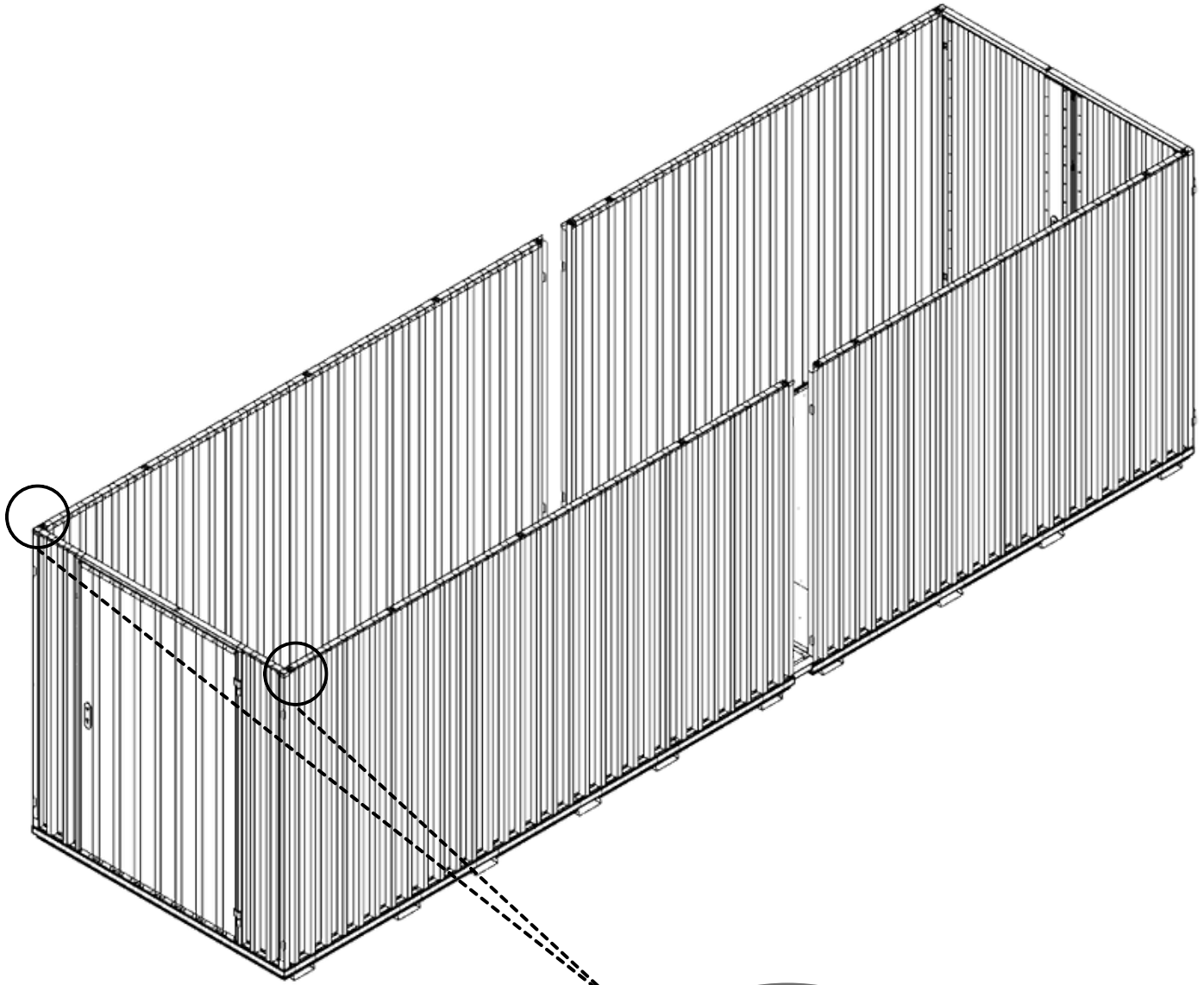
6



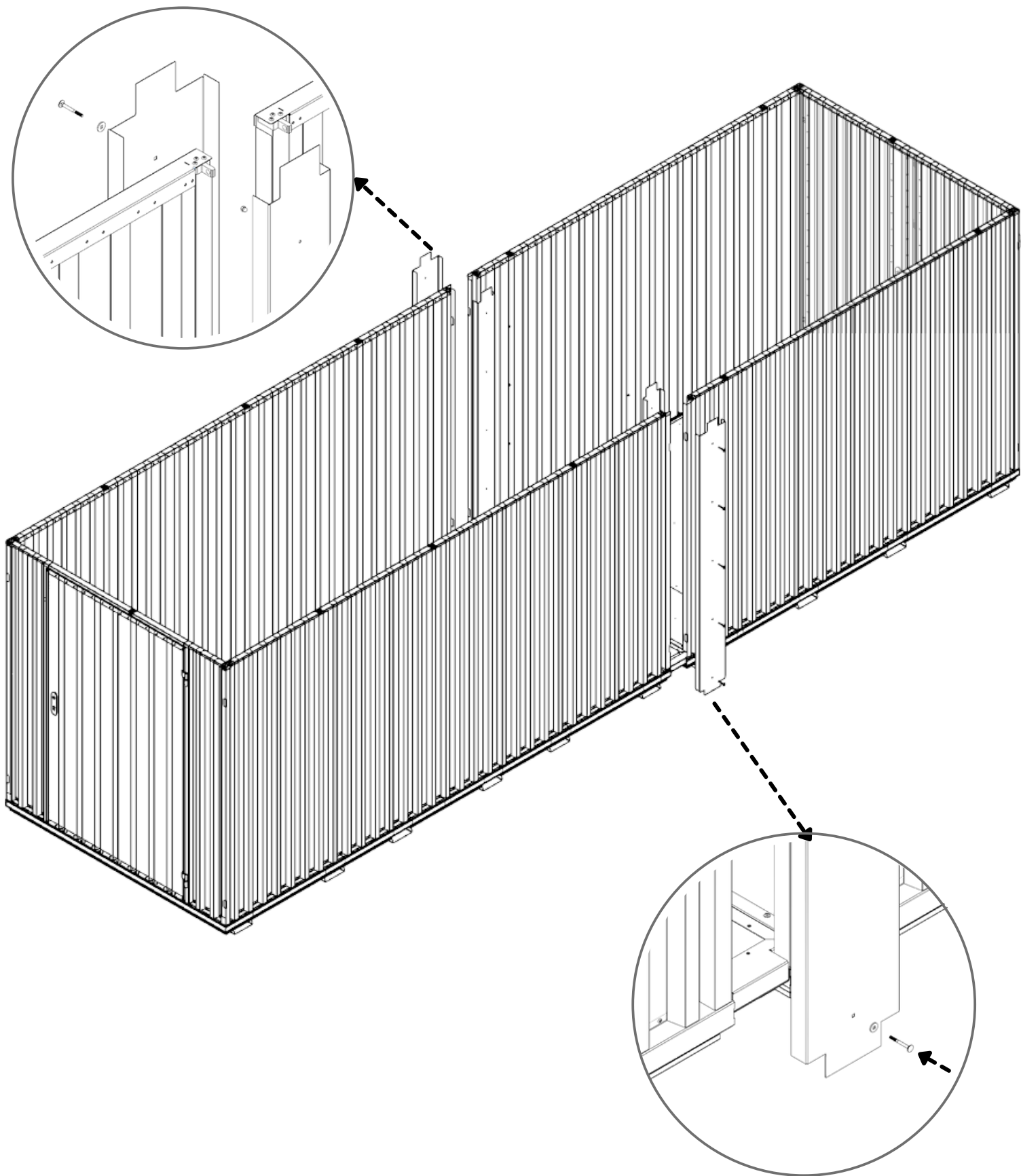
7



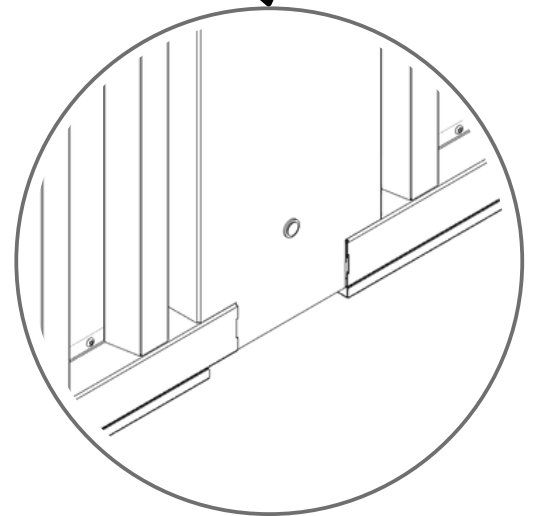
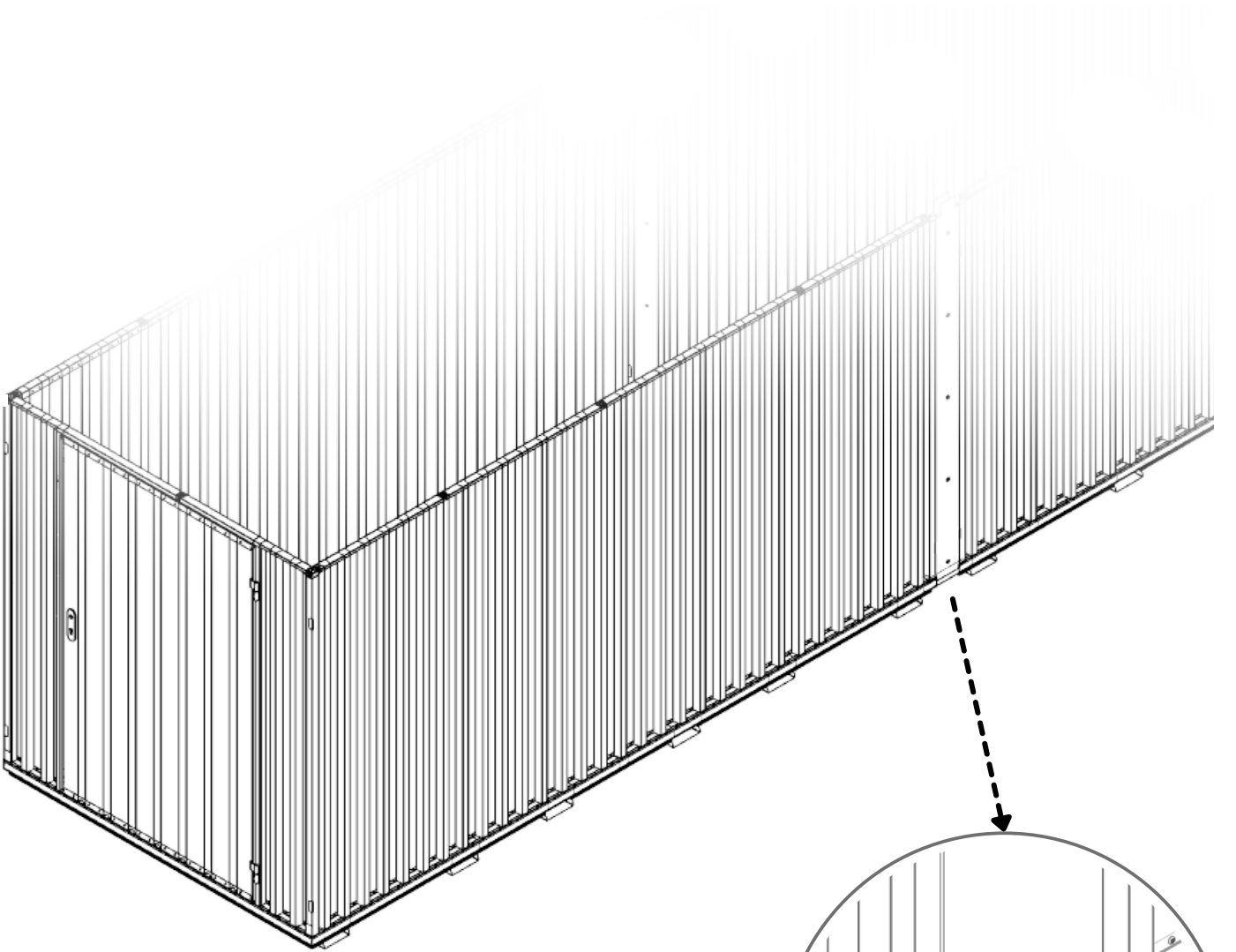
7.1



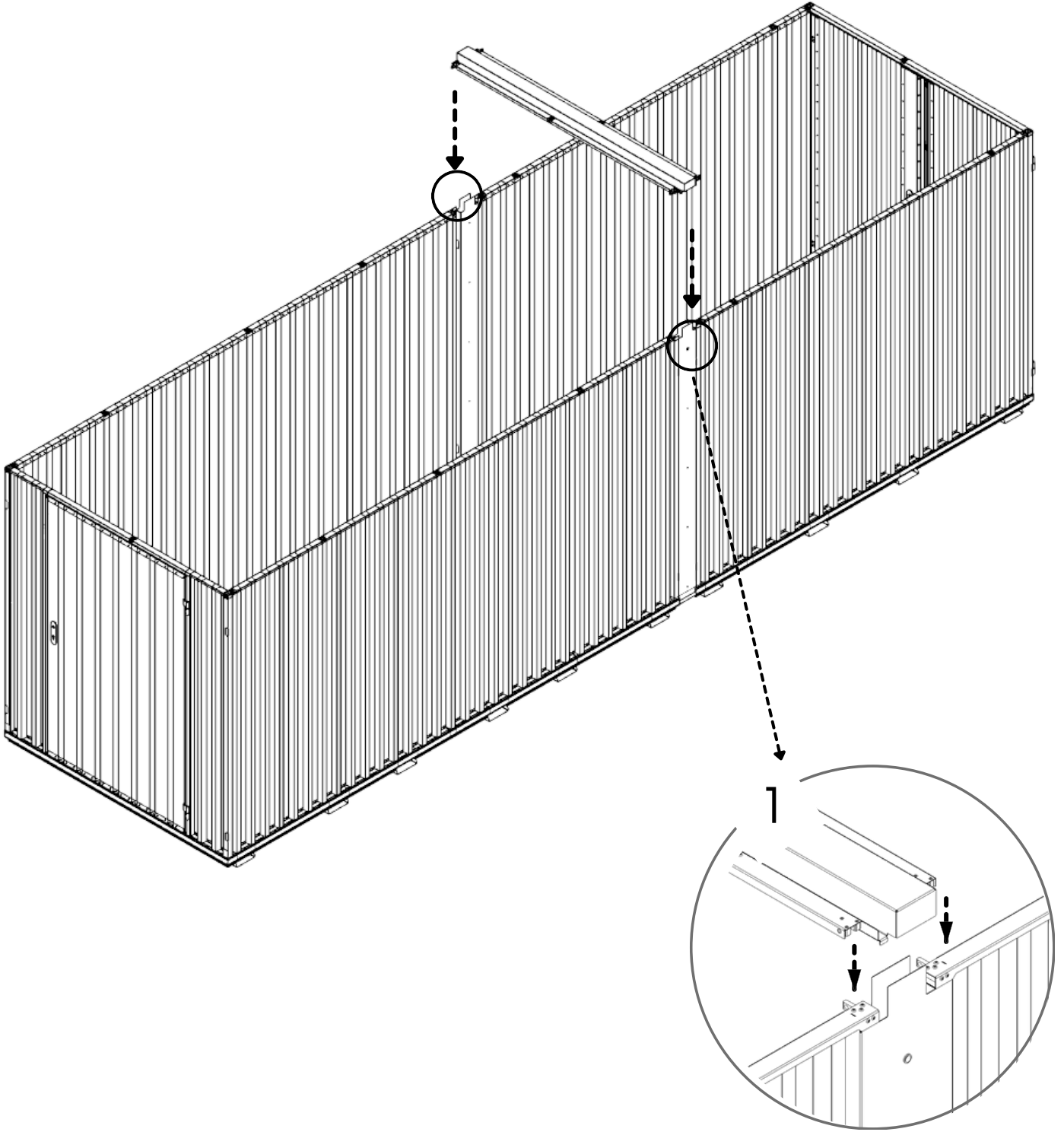
8



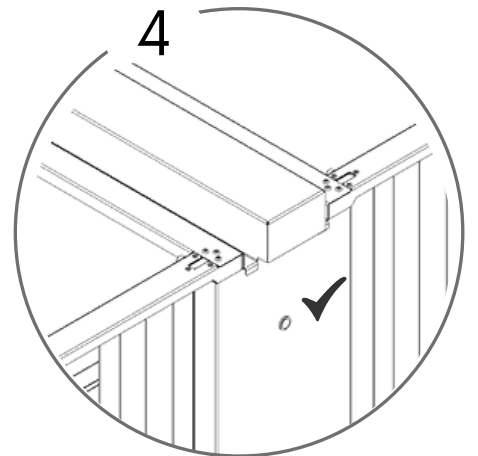
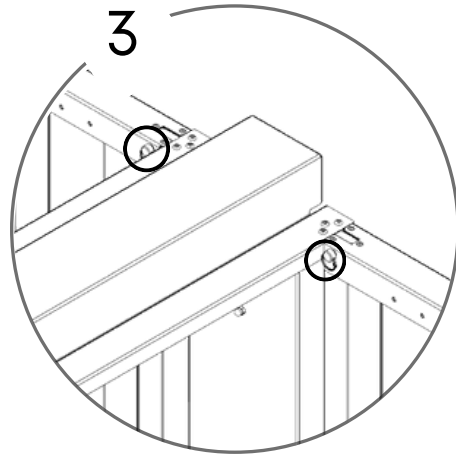
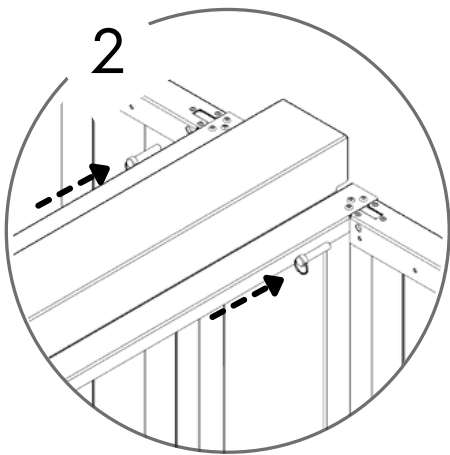
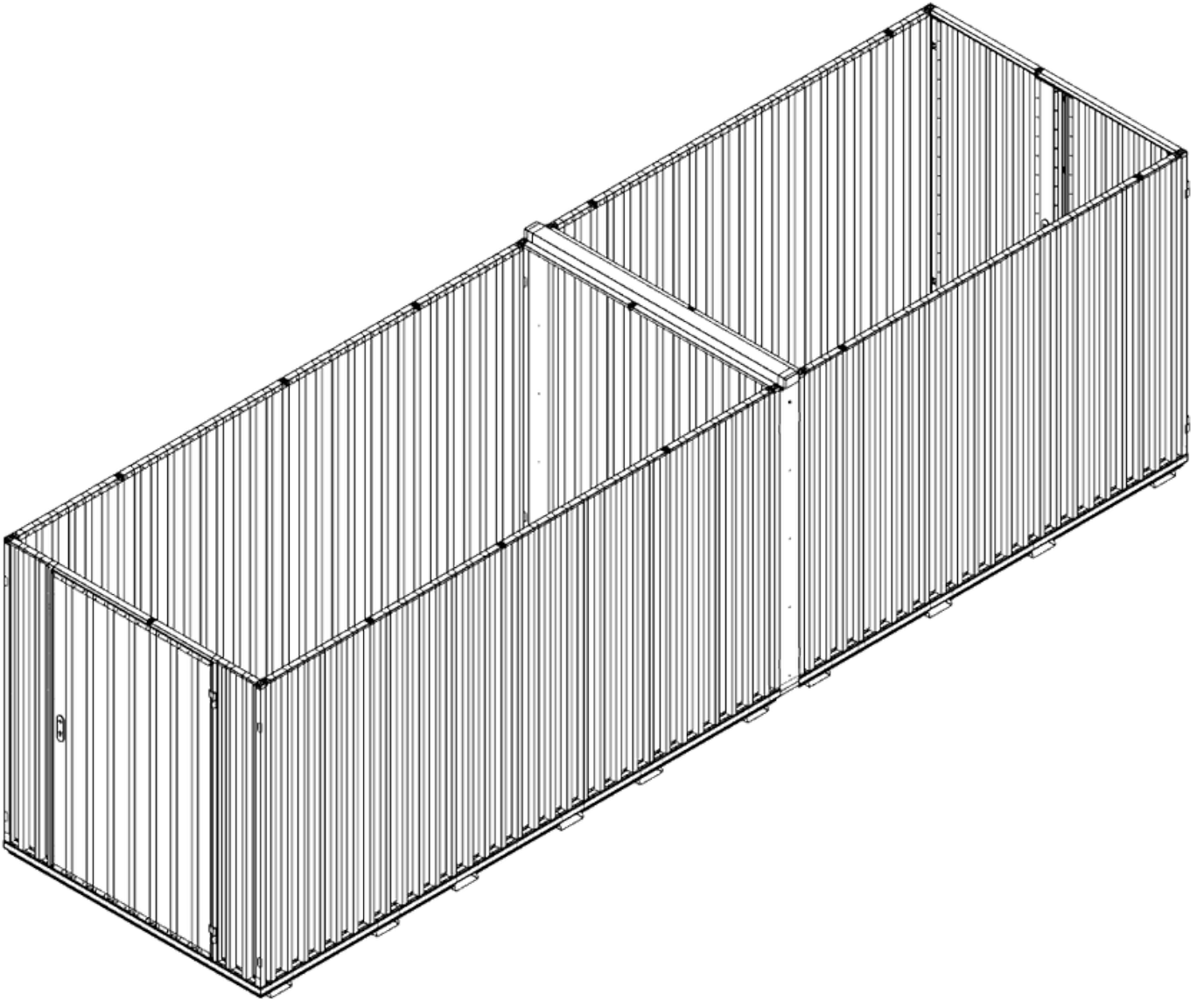
9












10

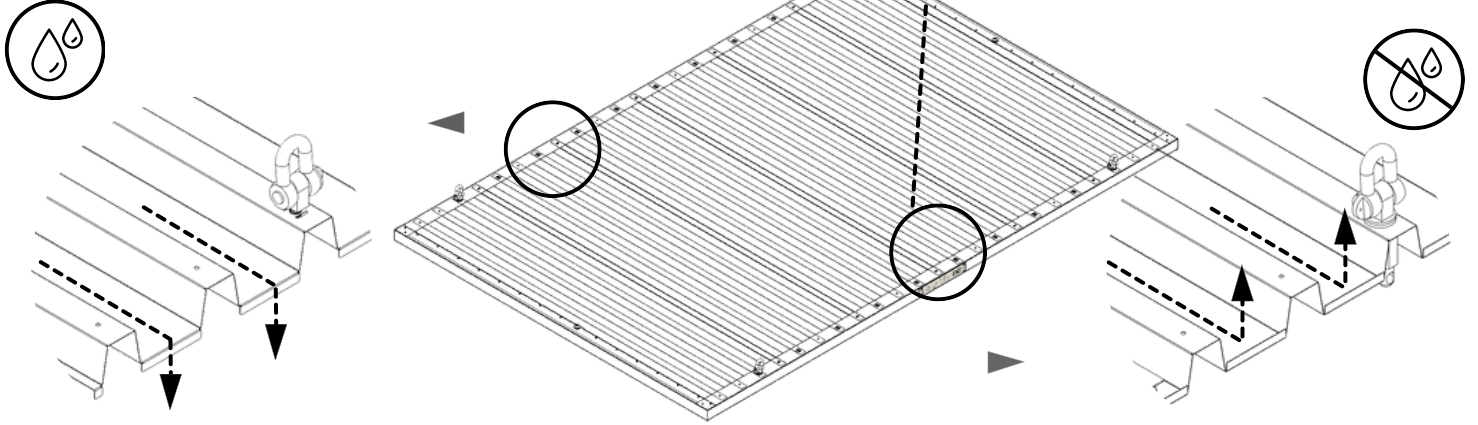


11

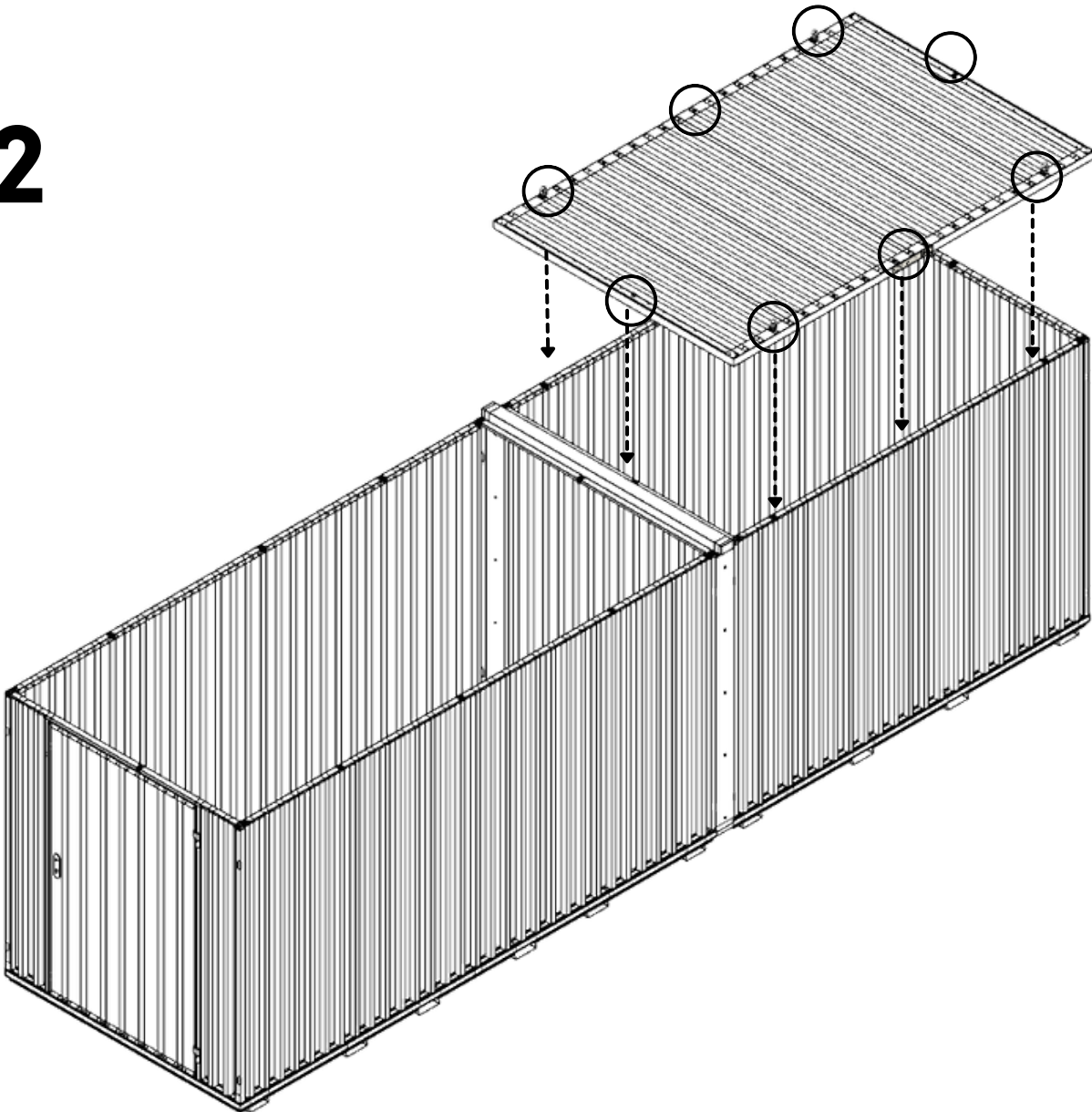




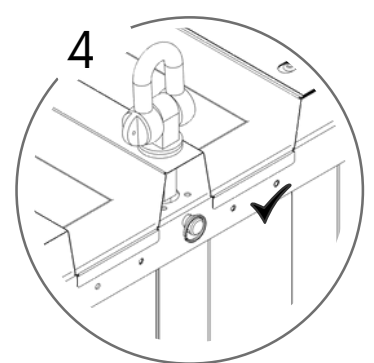
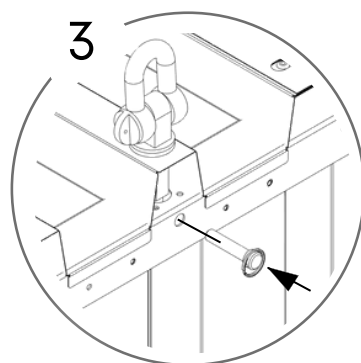
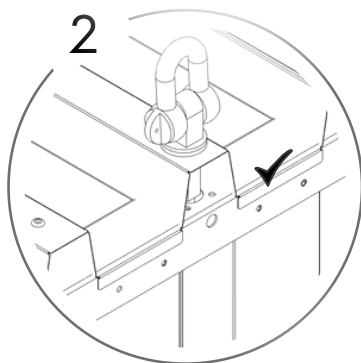
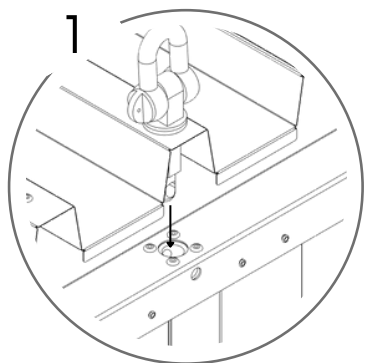
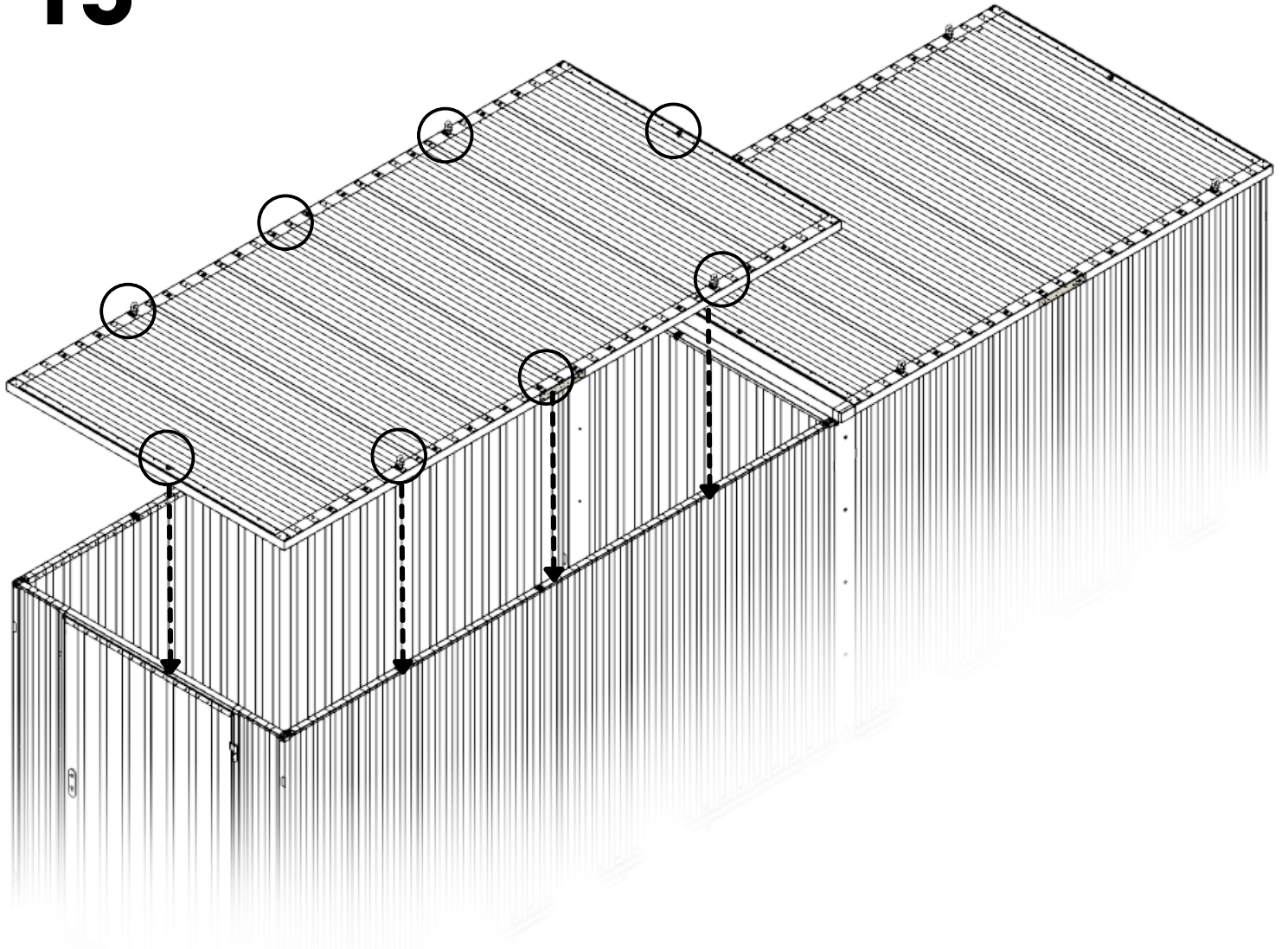
 336 KG	 3 TON	 1640 MM	Model Code: 30.110.440 Production Tracking Code:X09.1.30.440  9001  14001  50001	  
---	--	--	--	---



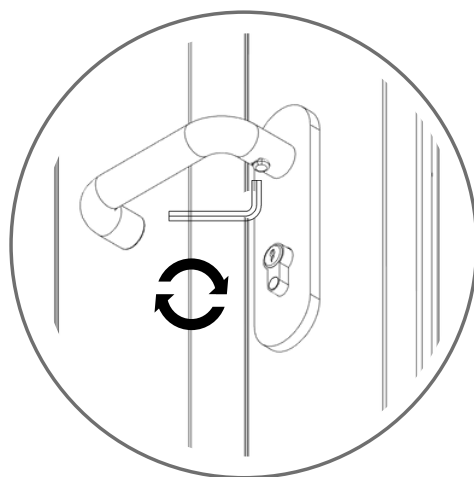
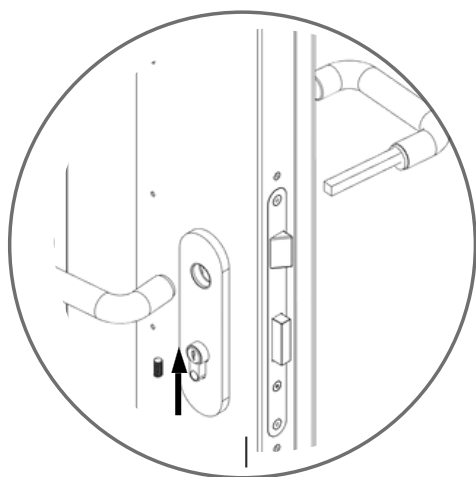
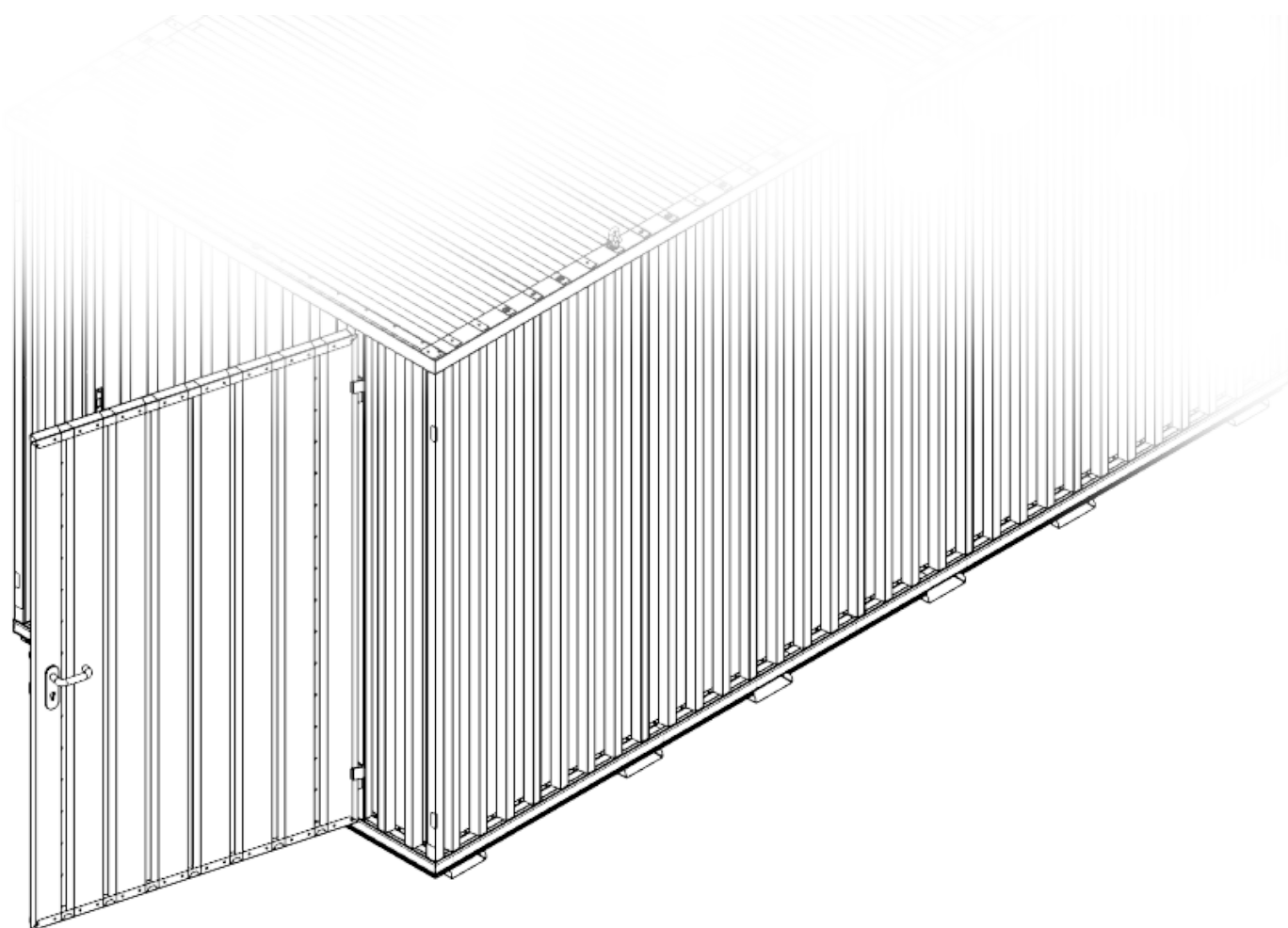
12



13



14



15

