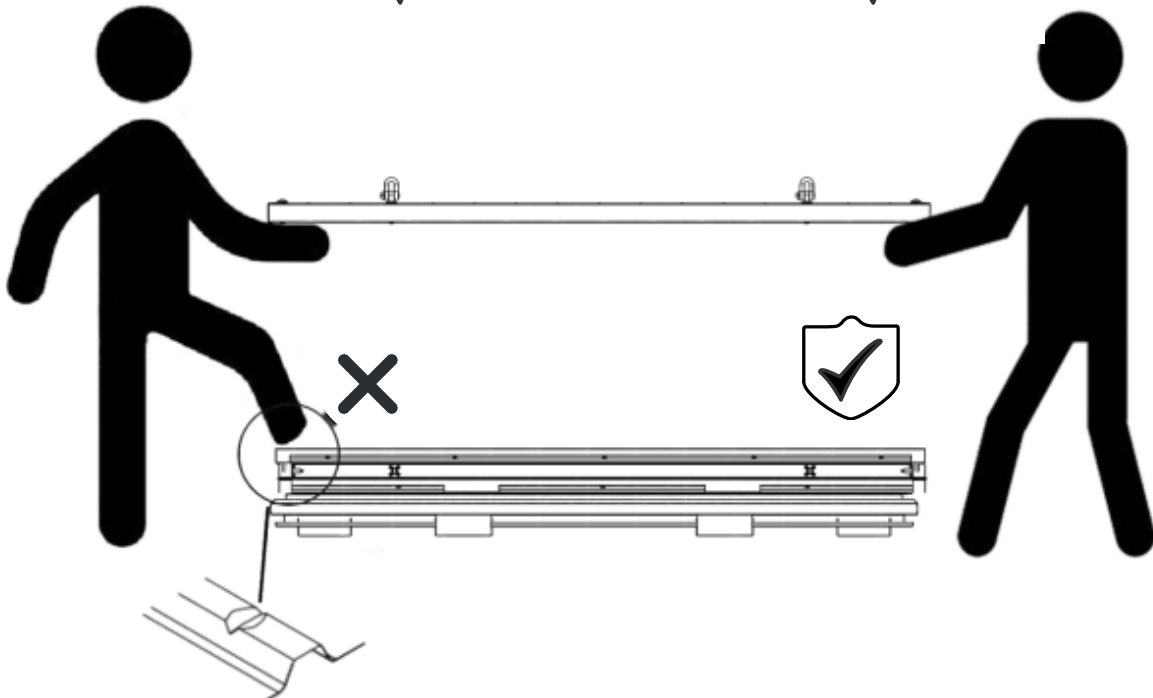
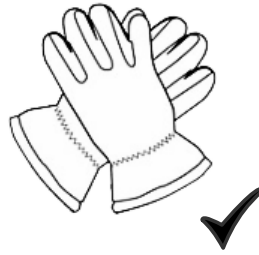
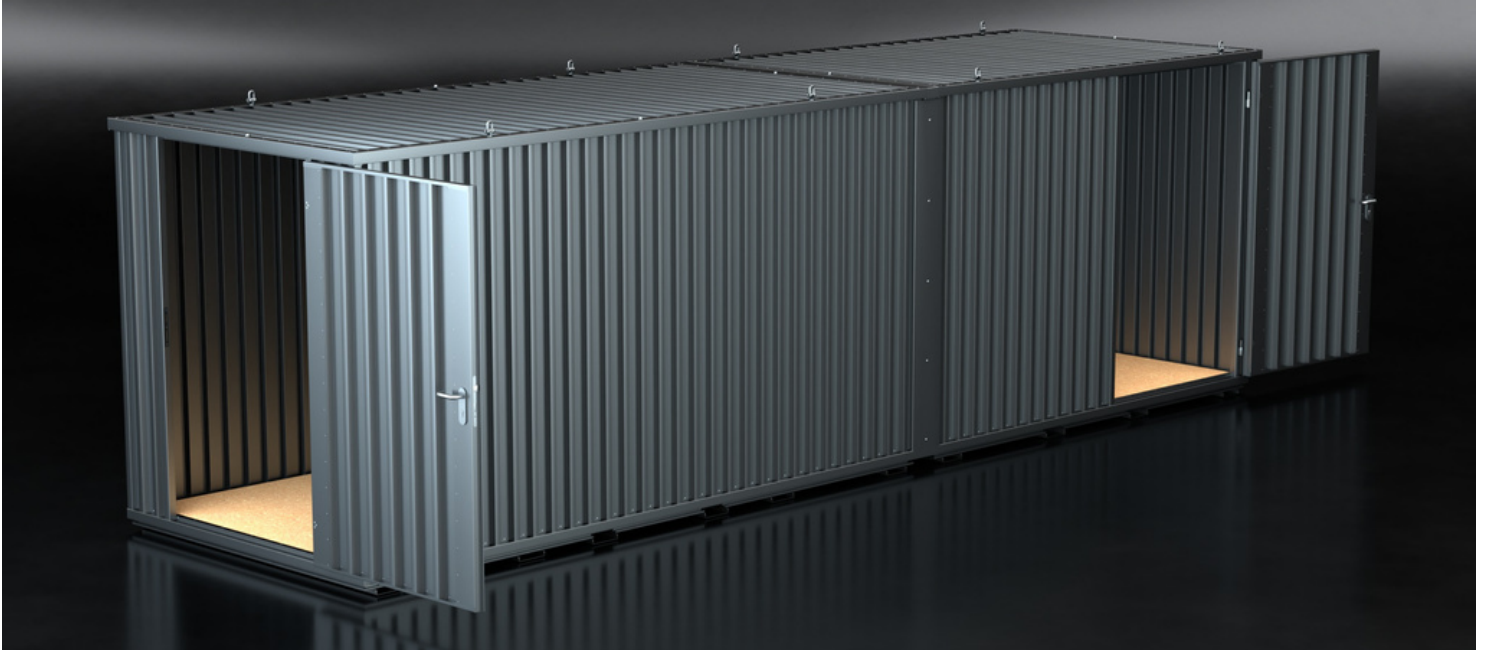


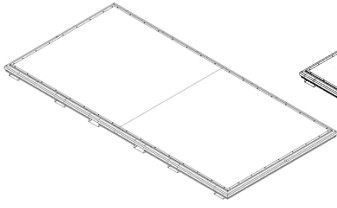
PRODUCT CODE:4030.110.440.320

prefabase
Quick Build Solutions

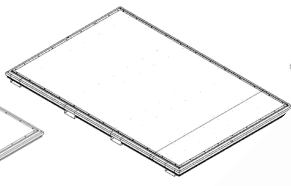
Instructions and User Guide



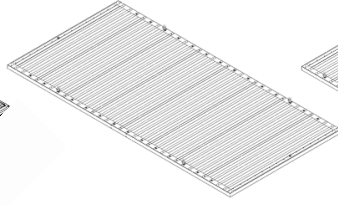
40.0110
1x



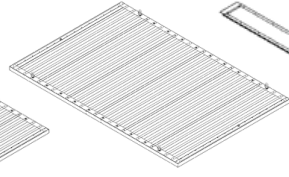
30.0110
1x



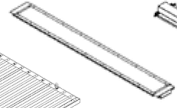
40.0510
1x



30.0510
1x



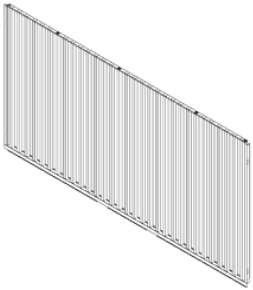
306.0110
1x



306.0510
1x



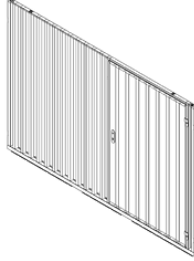
40.0410
2x



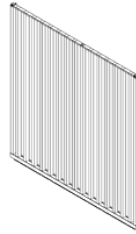
30.0410
1x



30.0440
1x



0310
1x



0320
1x



306.40.05
2x



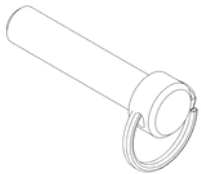
306.40.04
2x



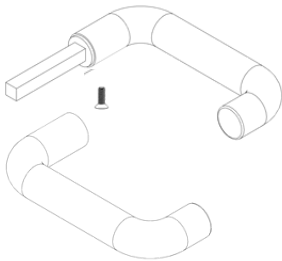
61.101
4x



22x



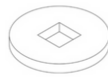
2x



10x



10x



10x



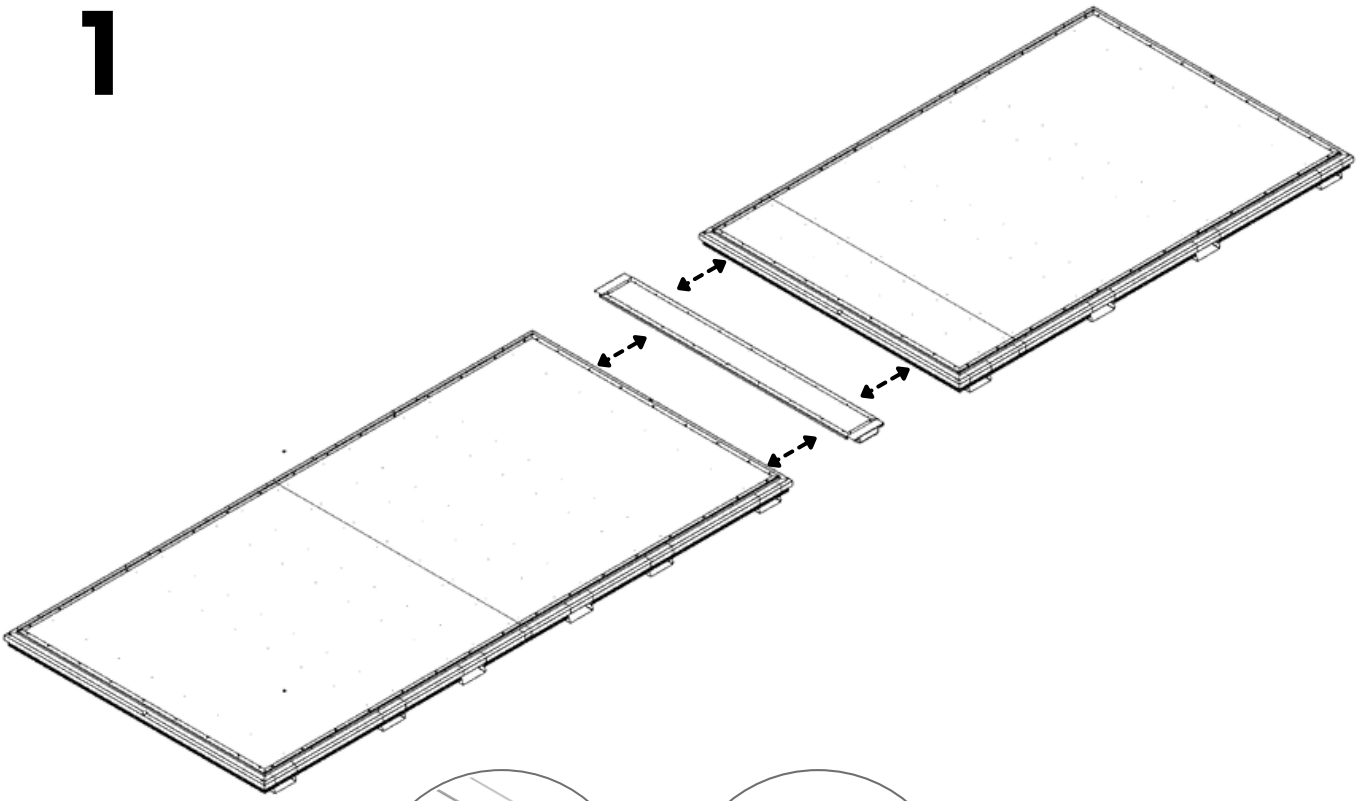
1x



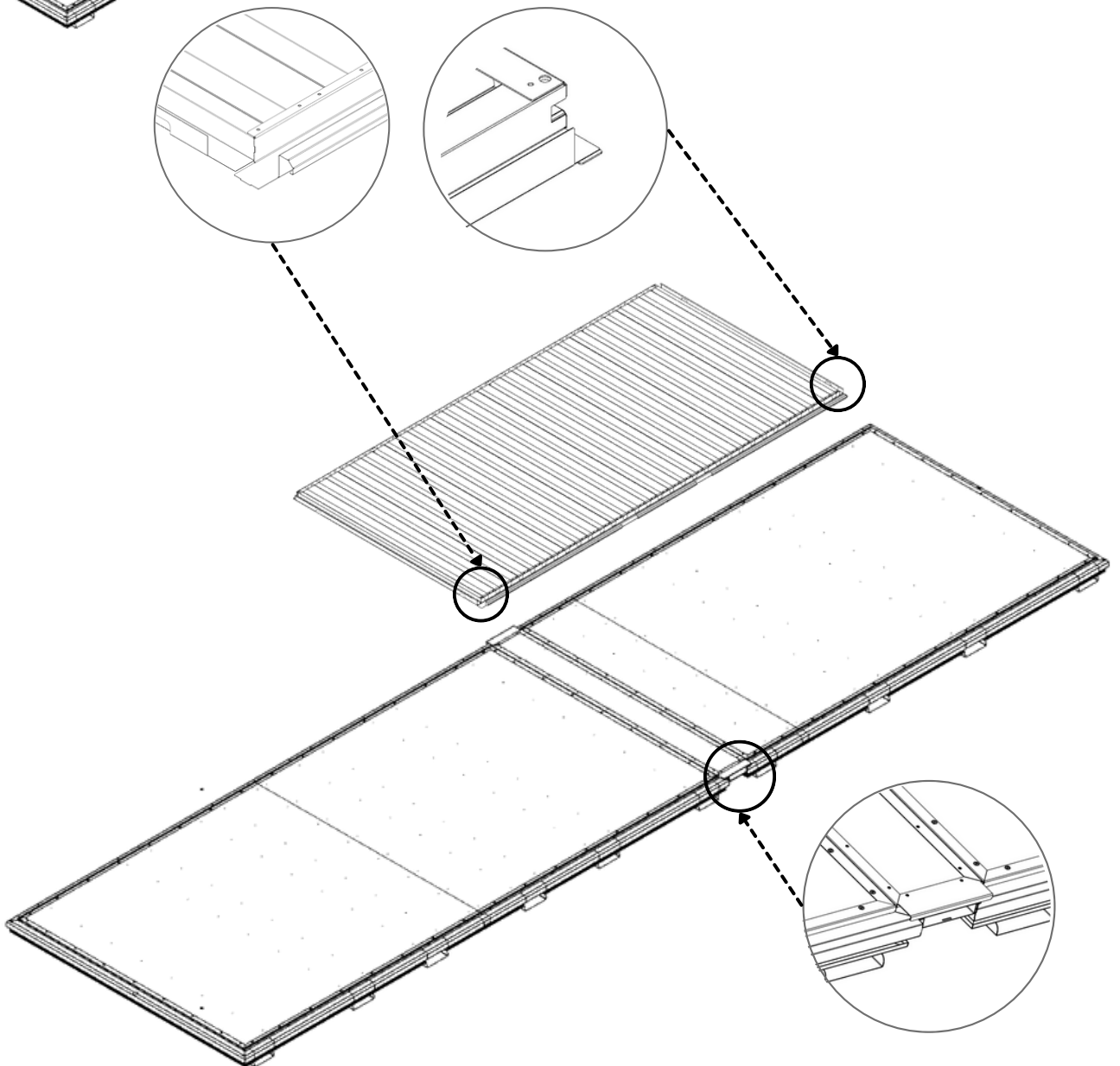
2x

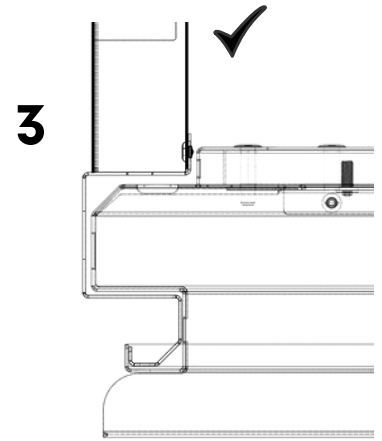
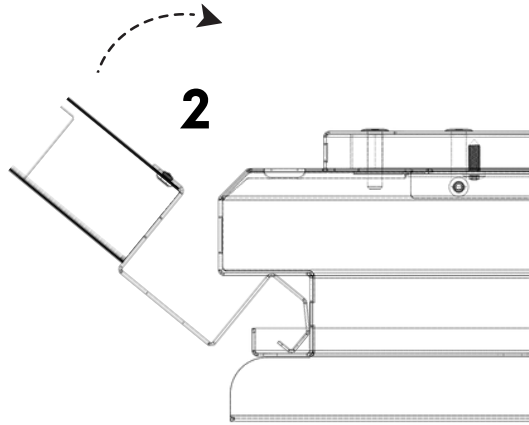
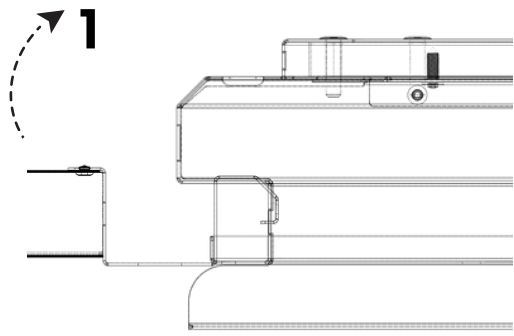


1

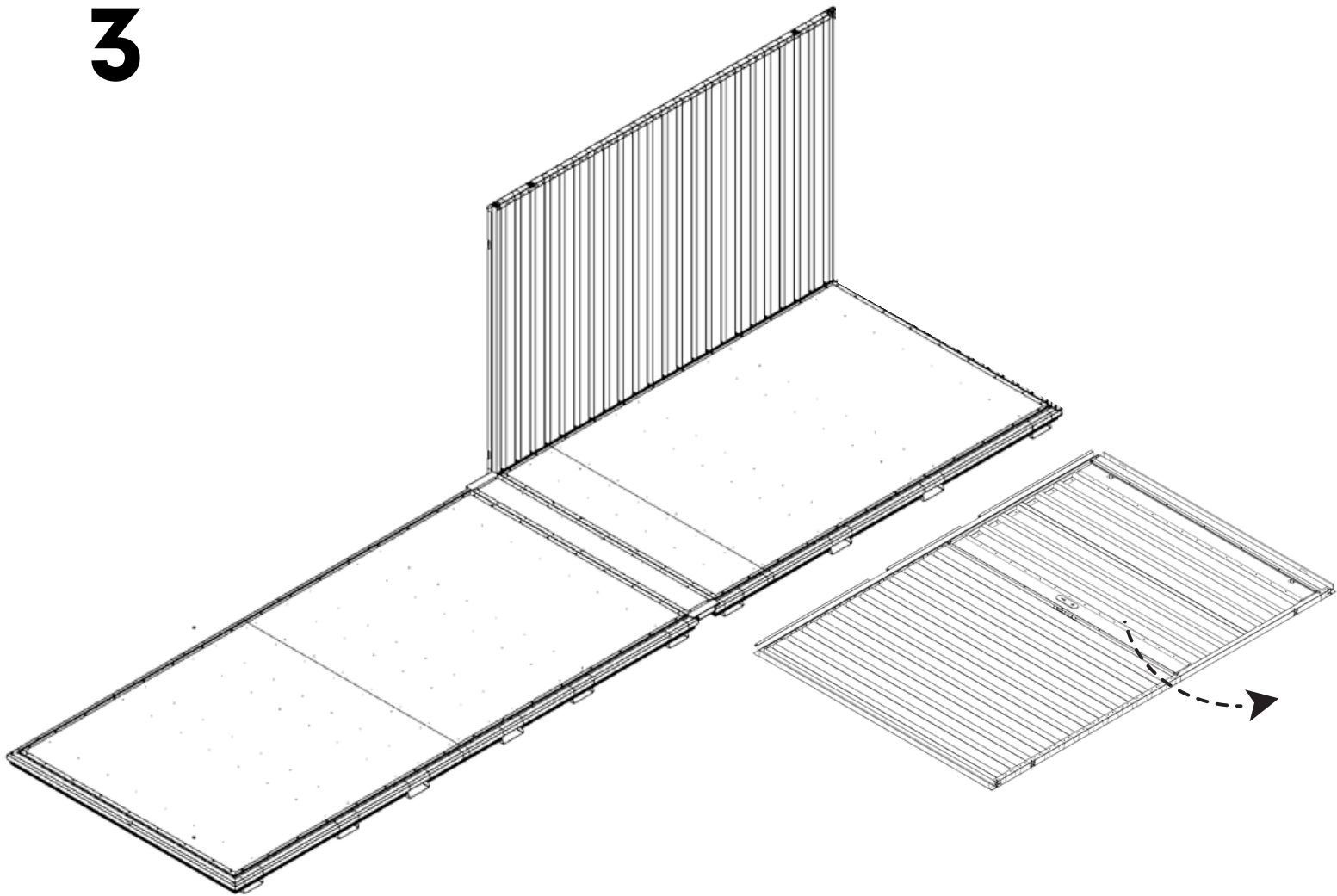


2

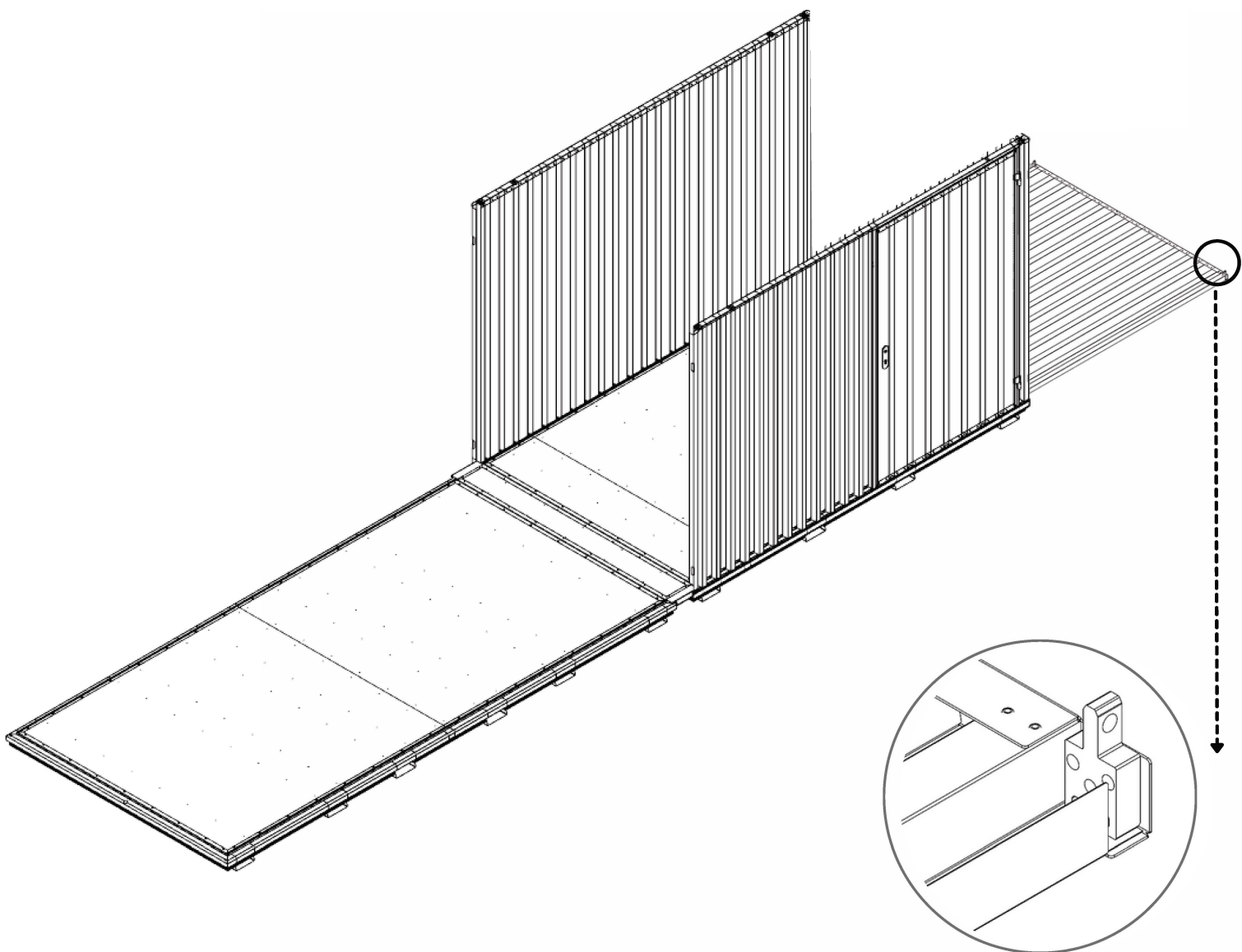




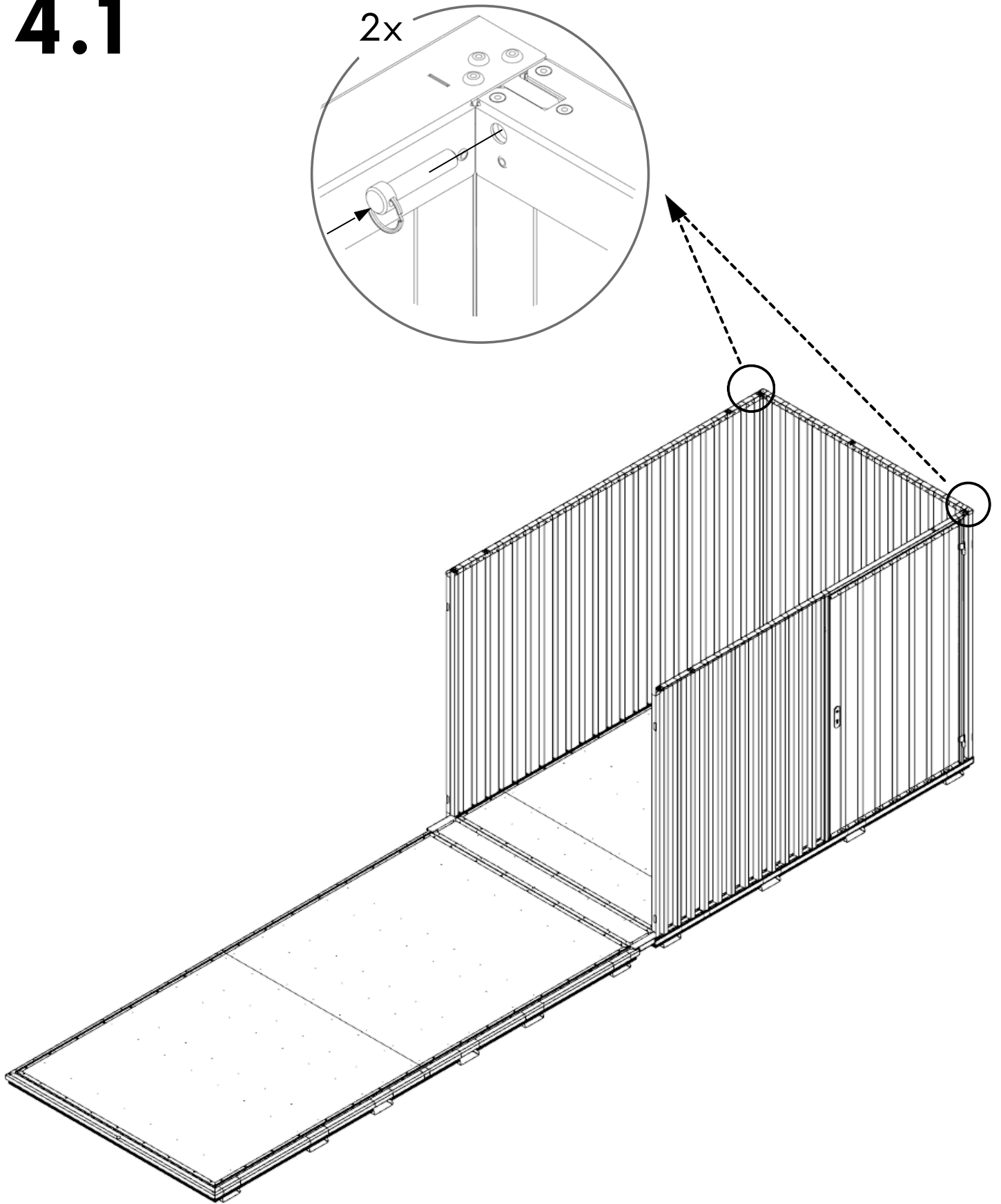
3



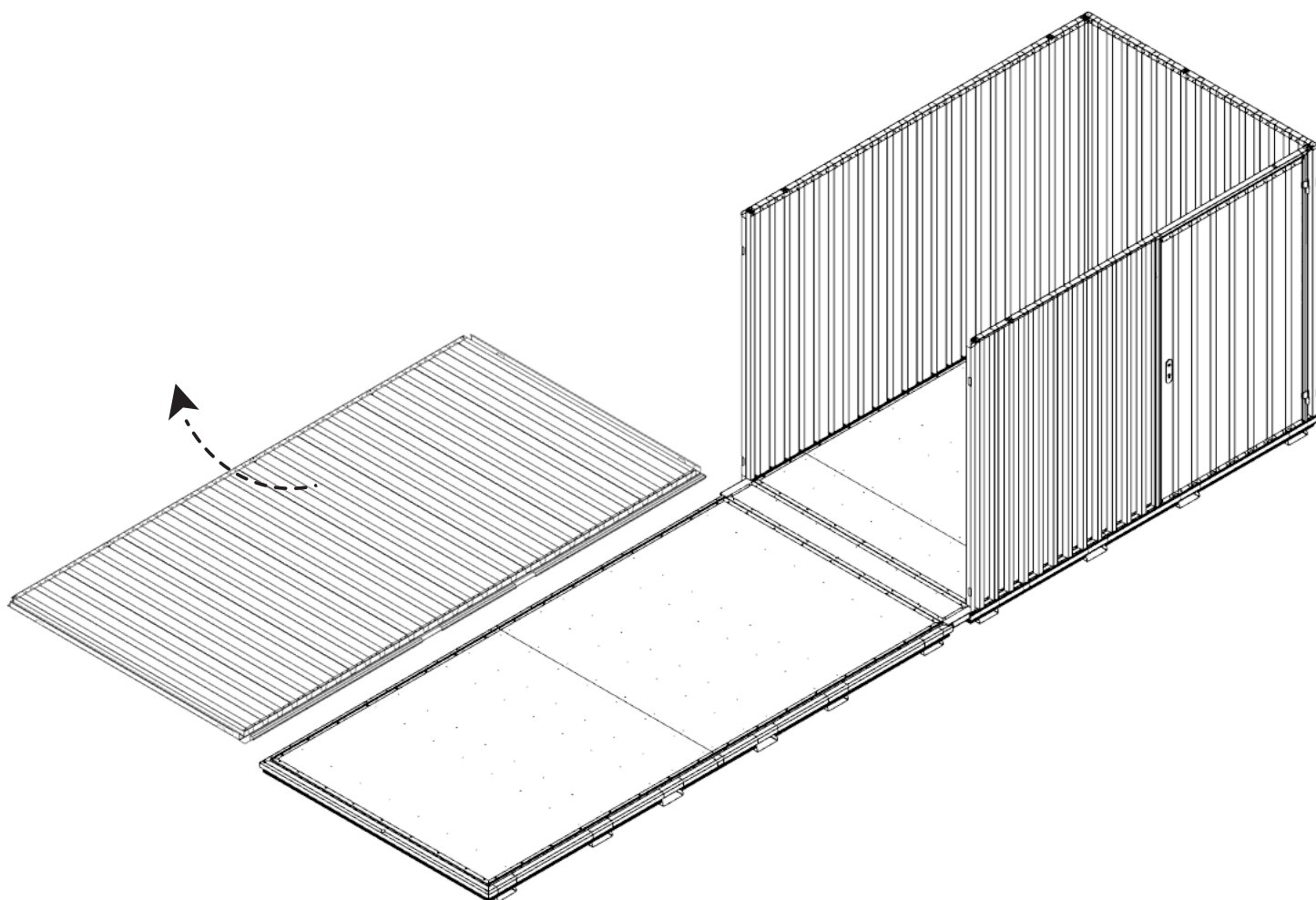
4



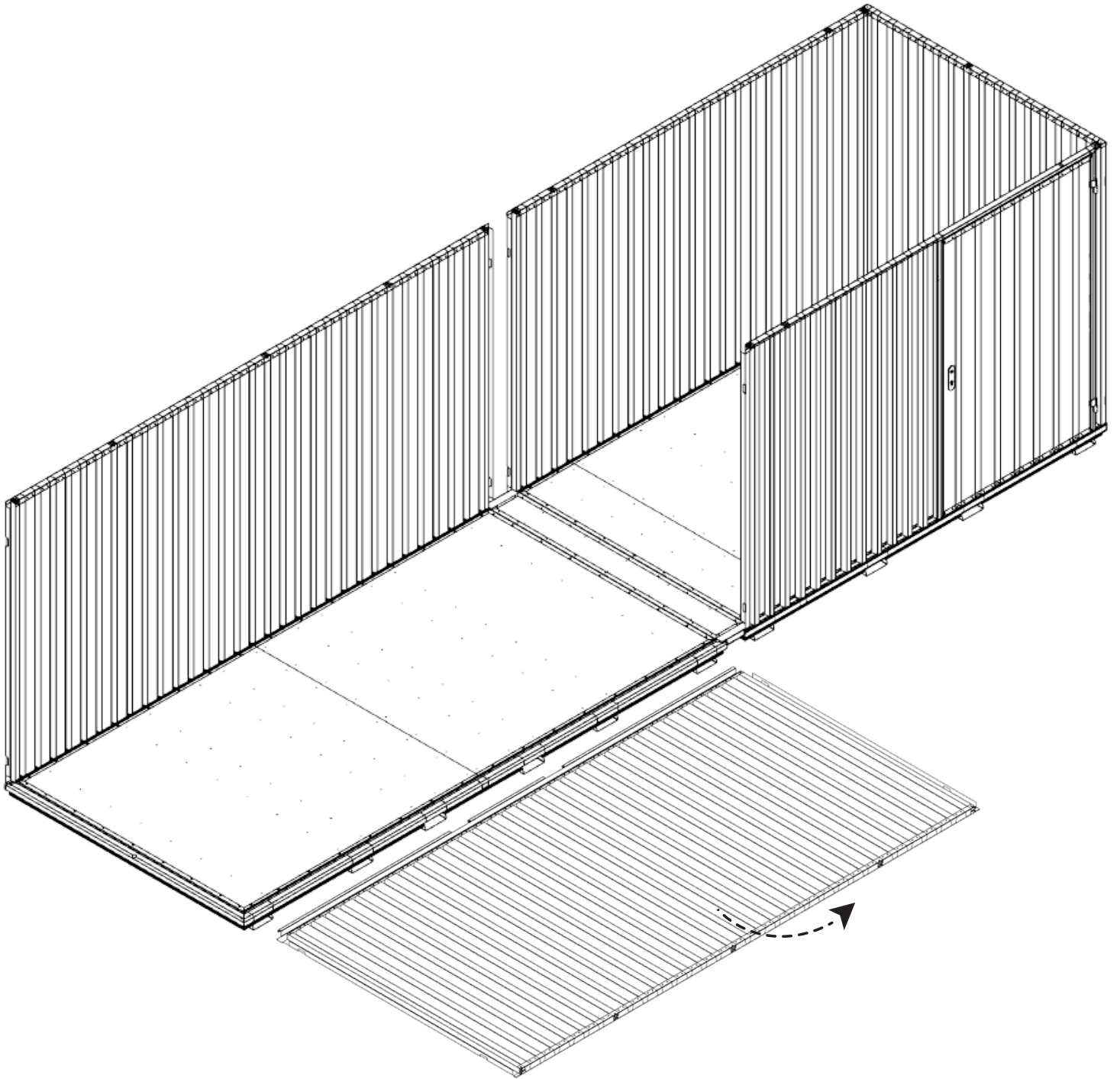
4.1



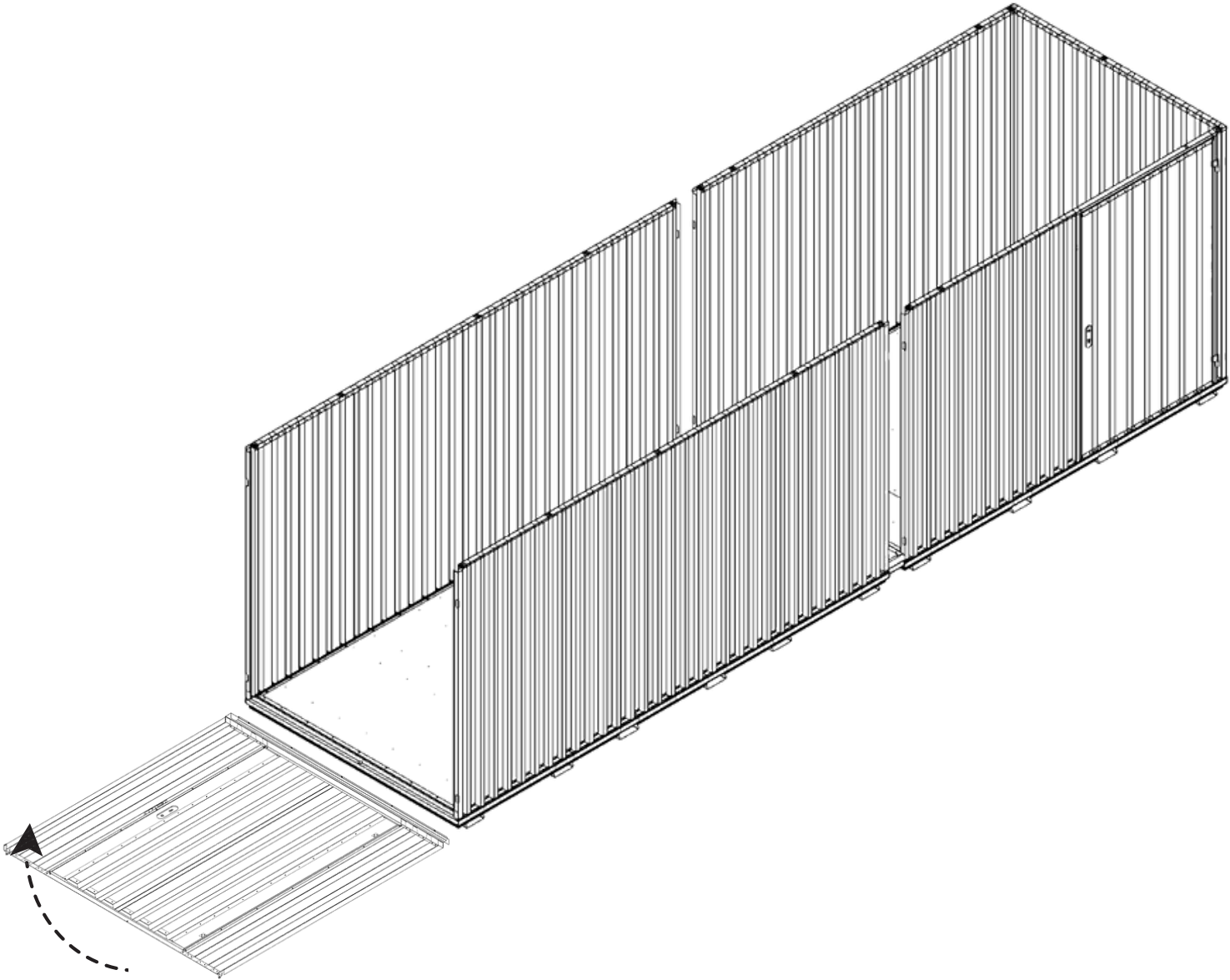
5



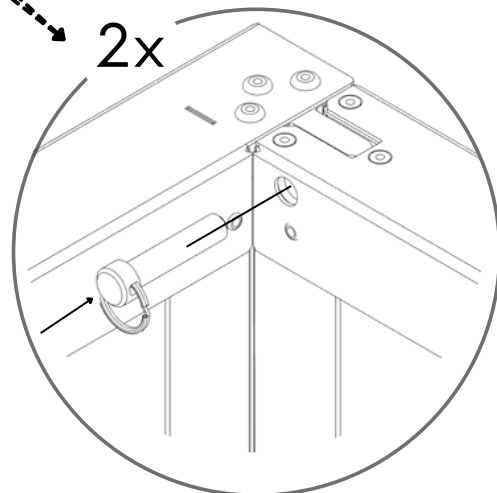
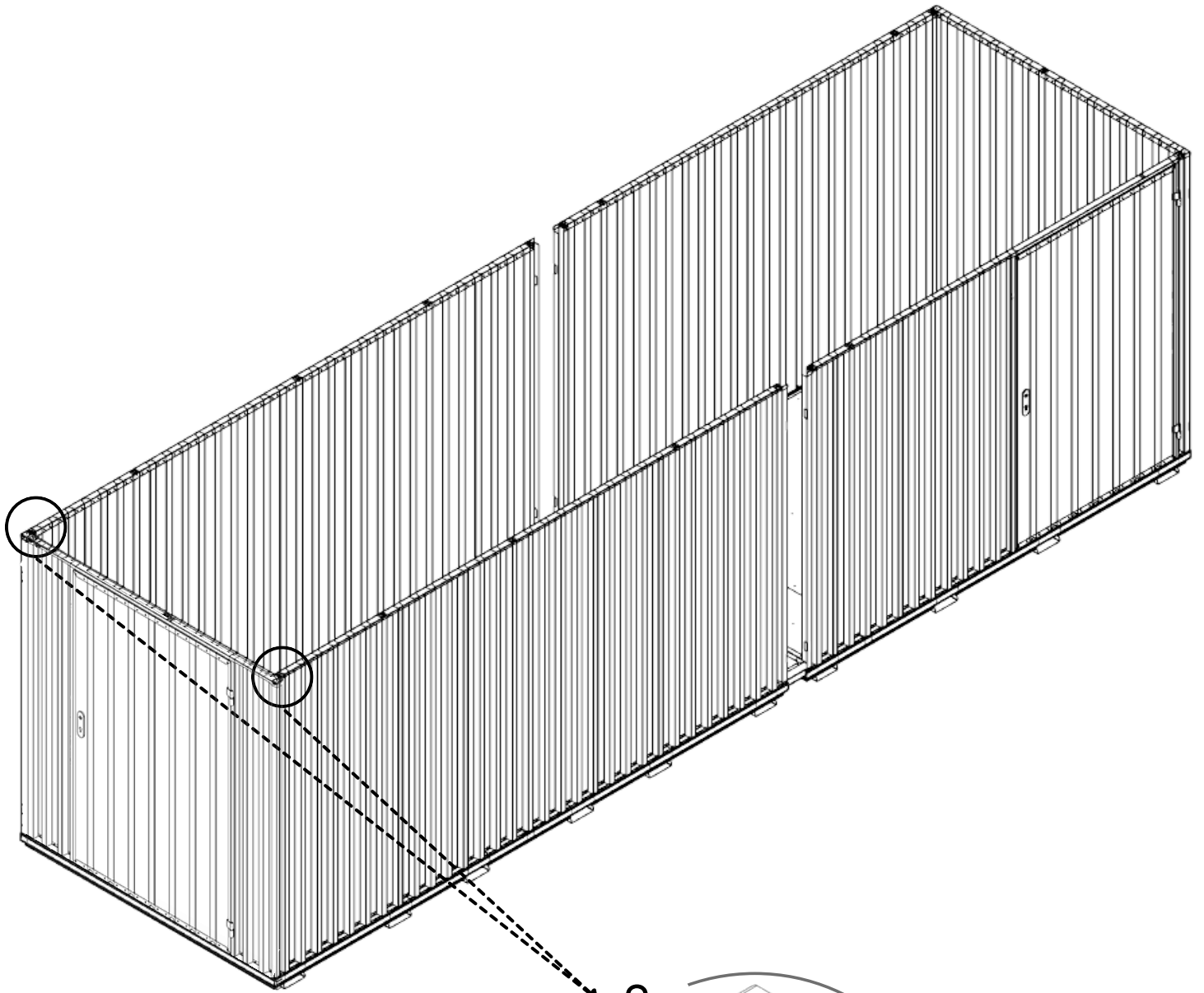
6



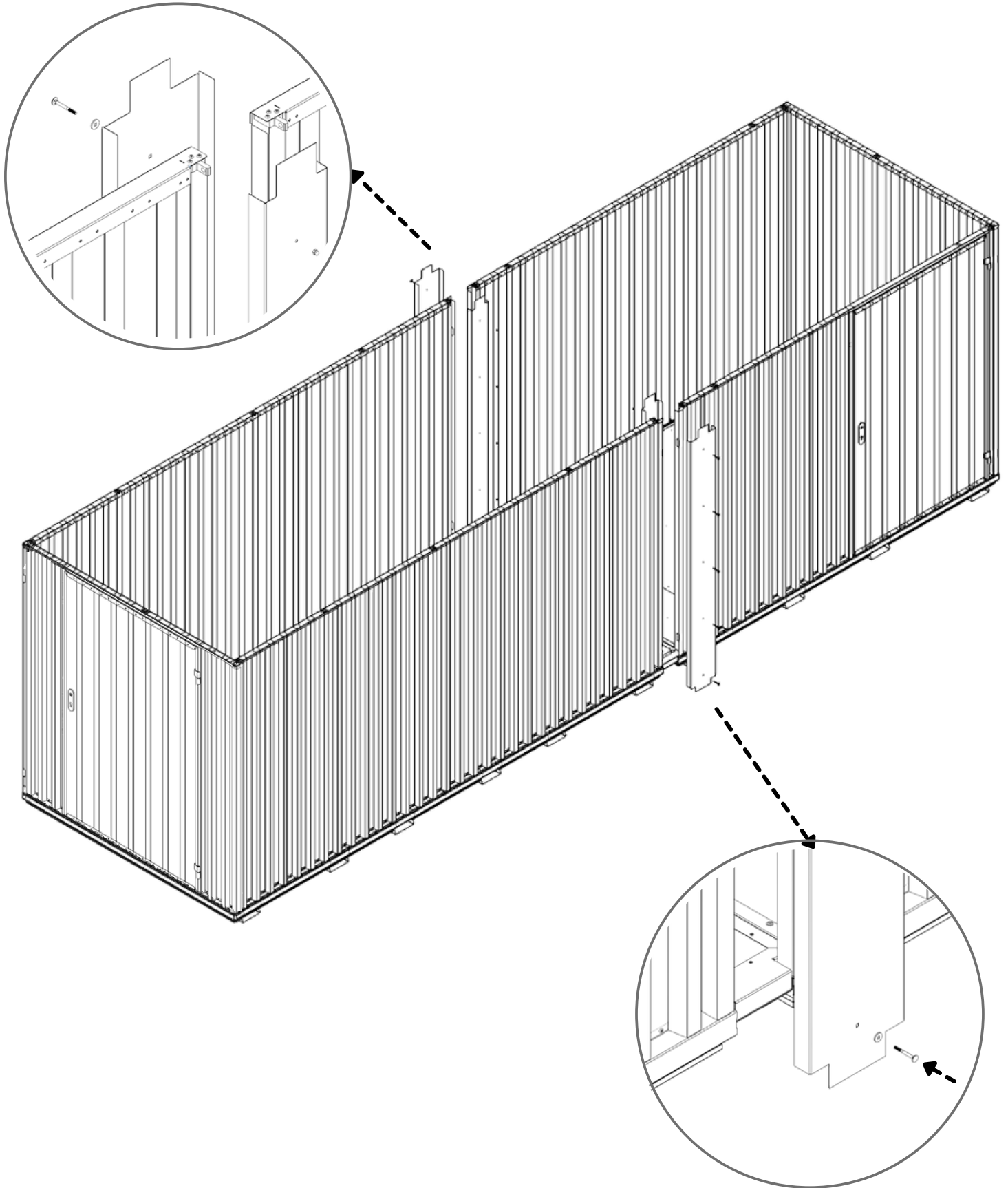
7



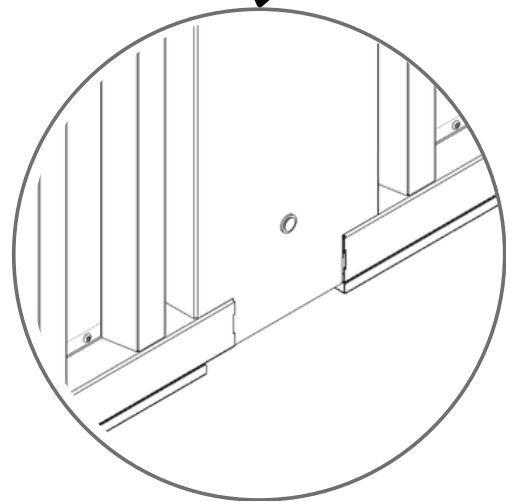
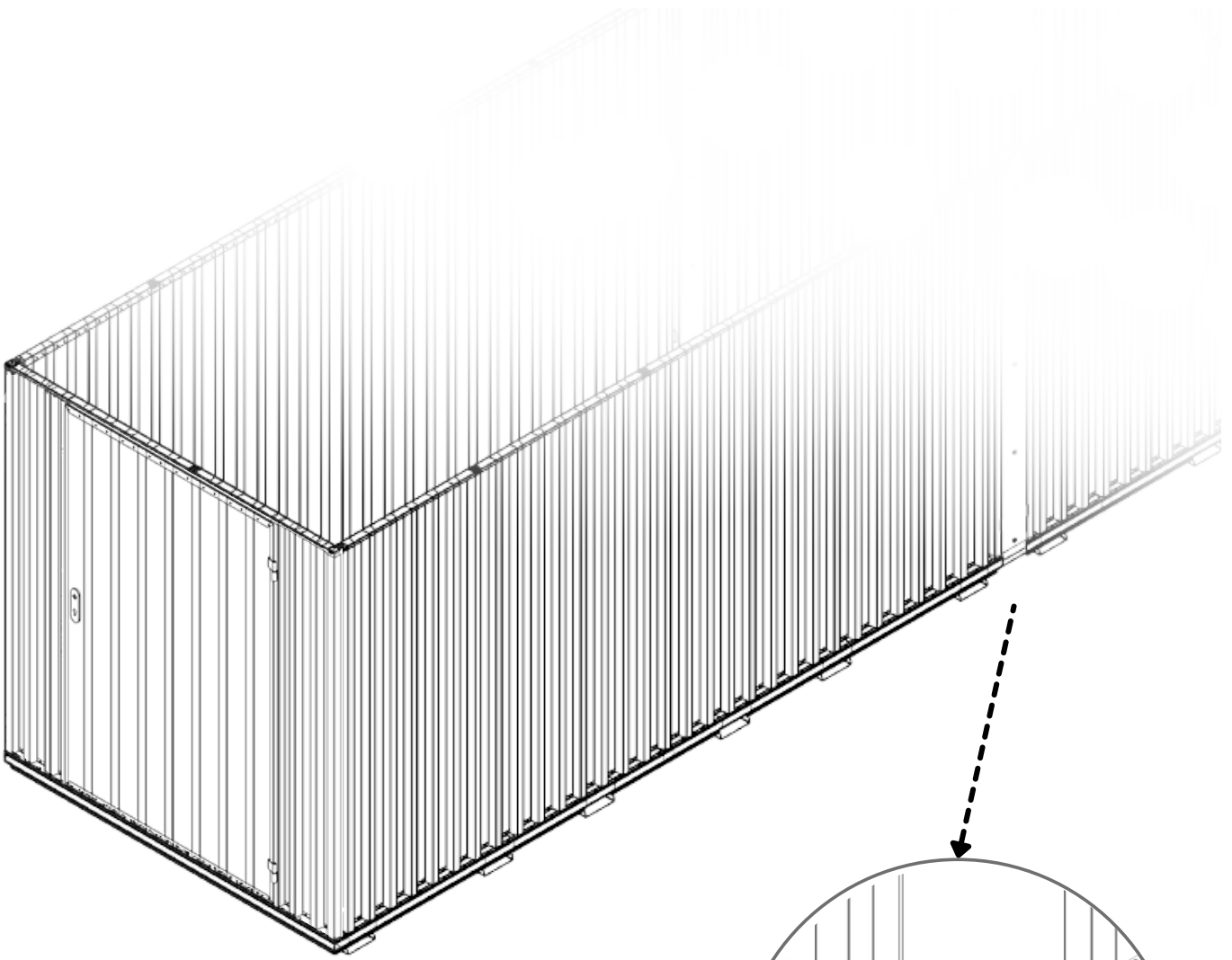
7.1



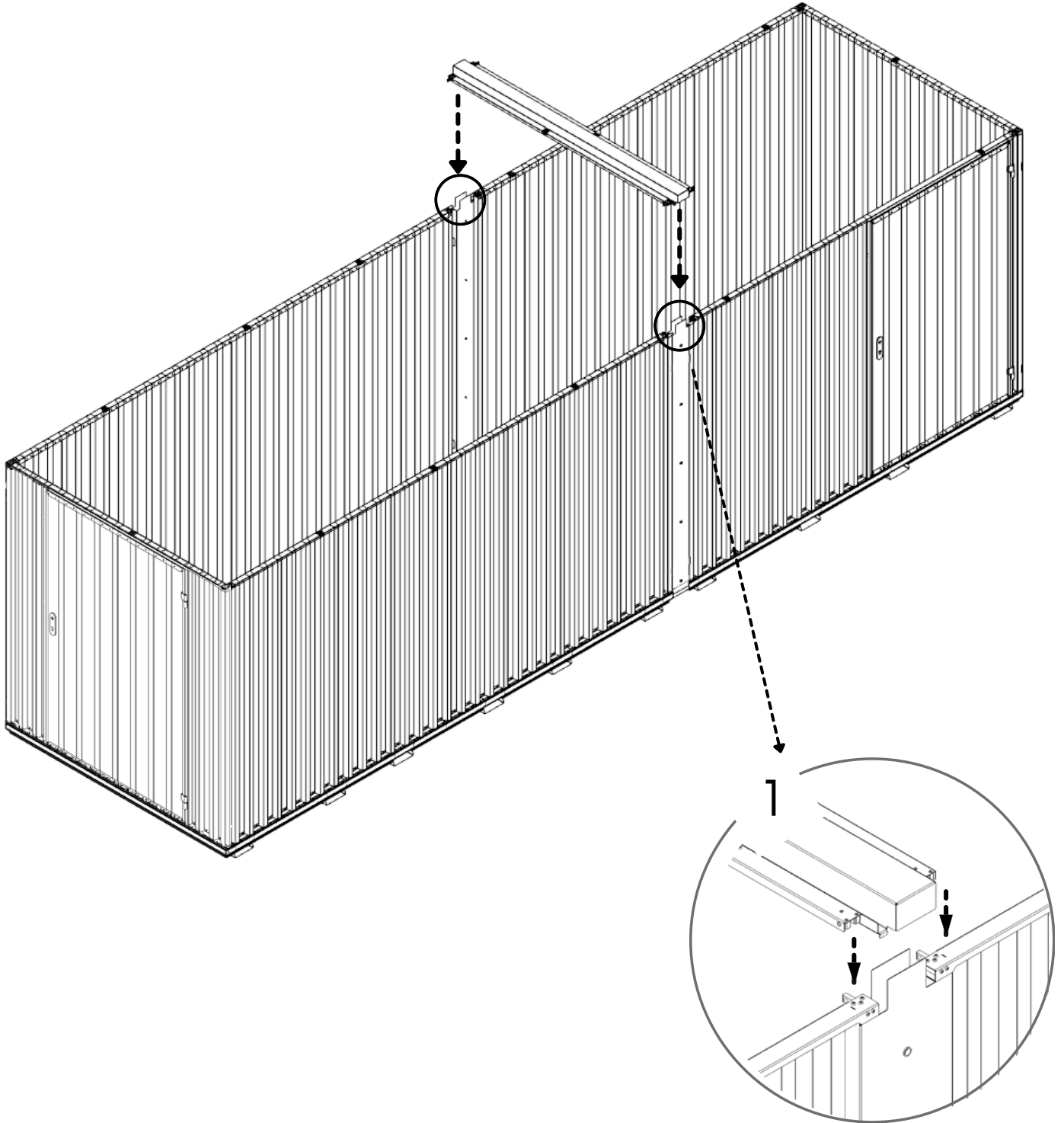
8



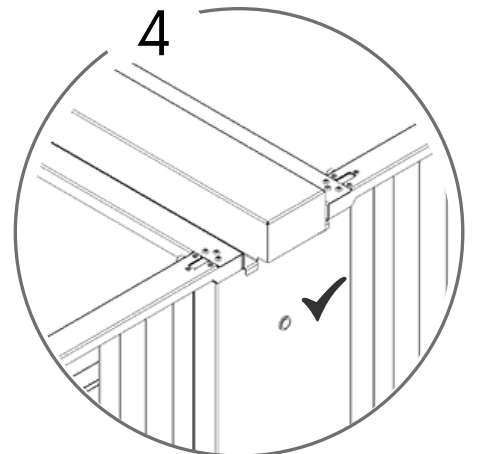
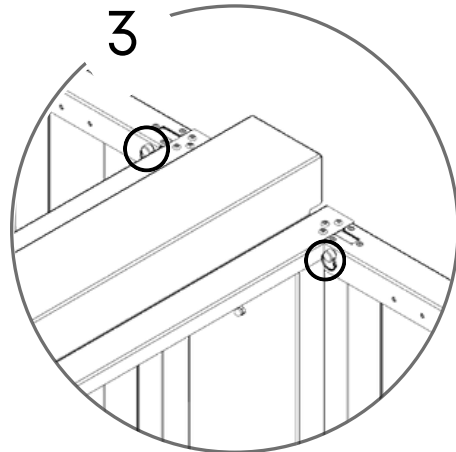
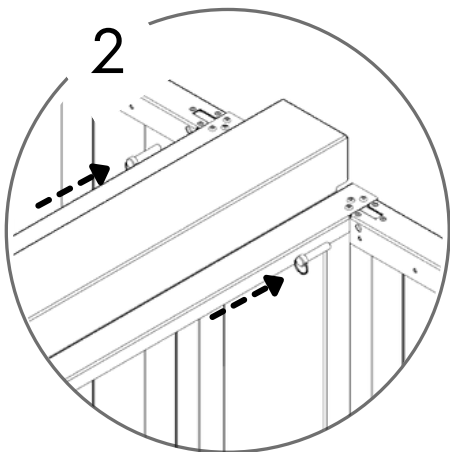
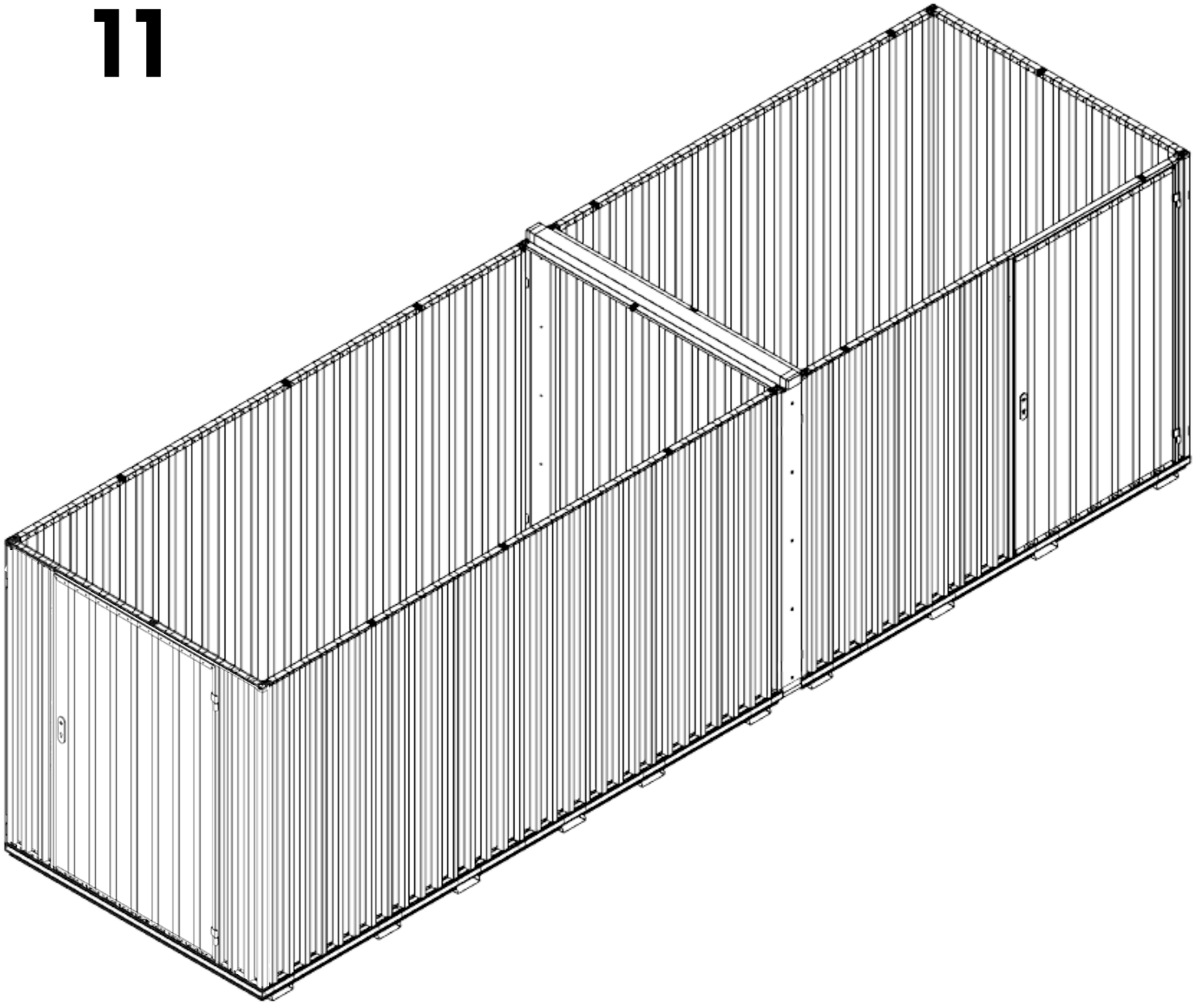
9











10

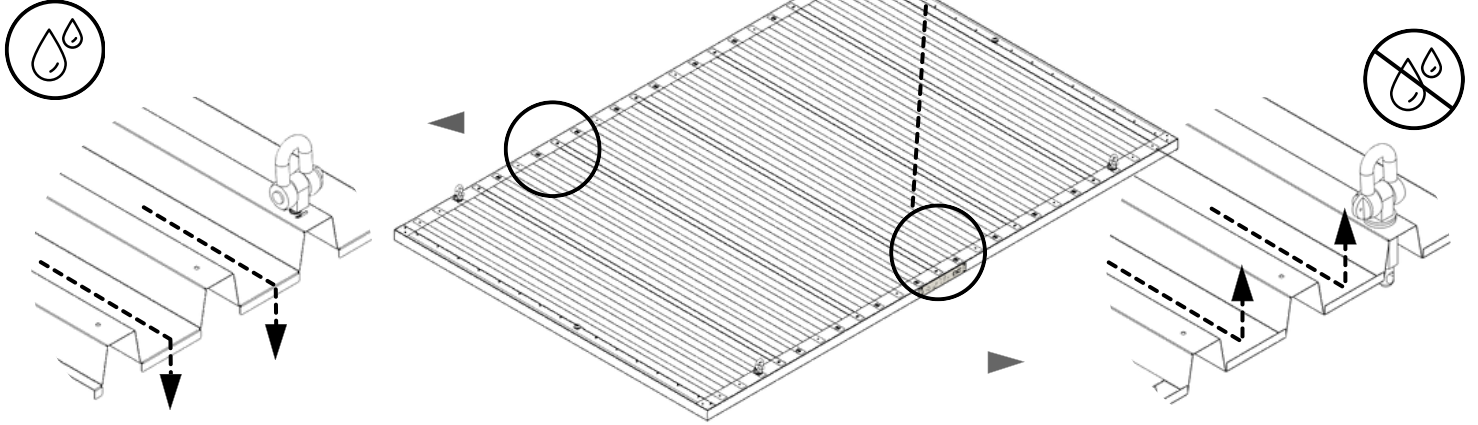


11

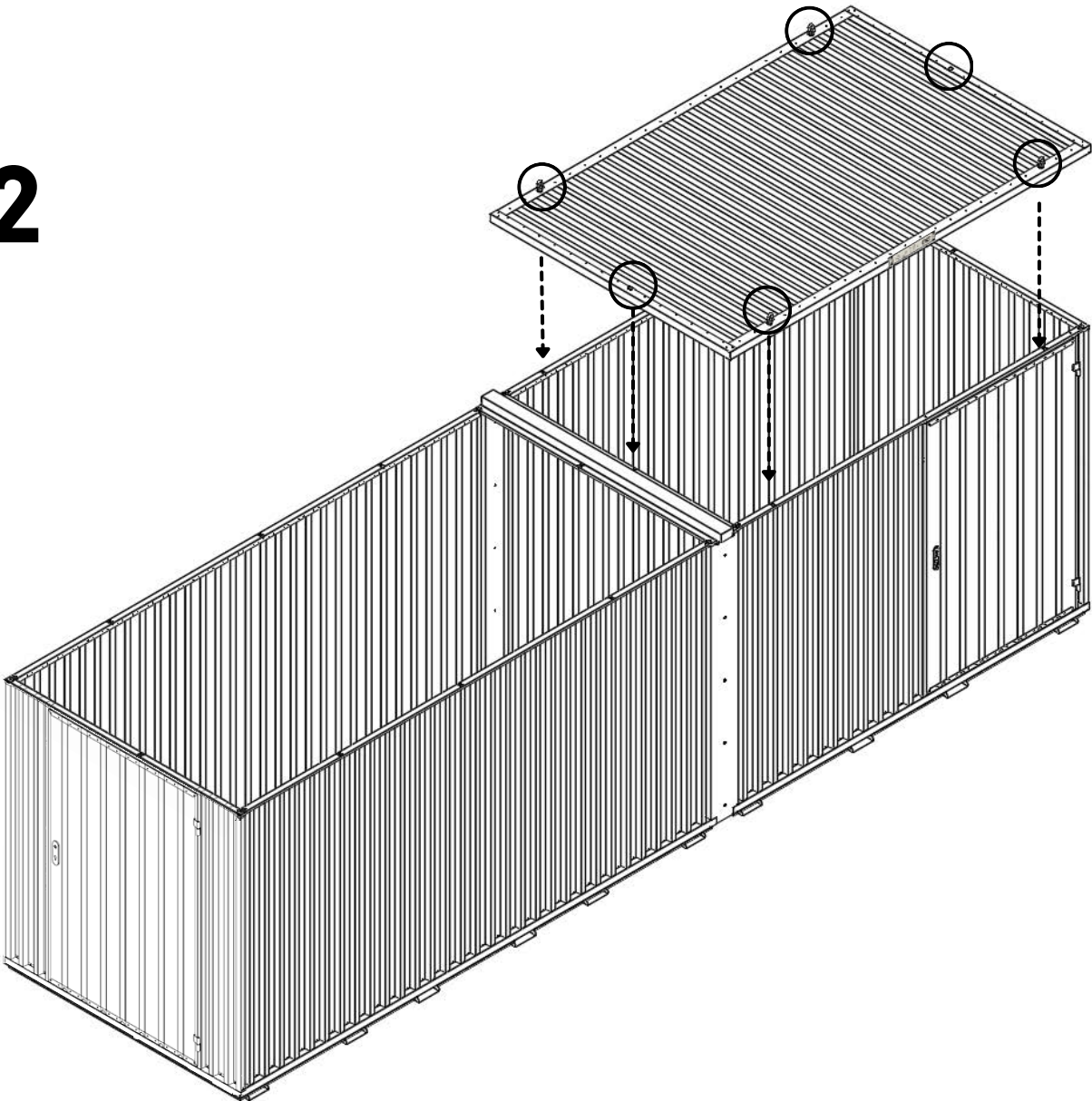




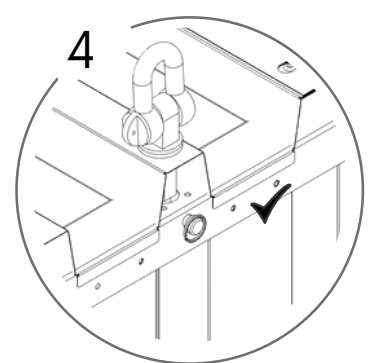
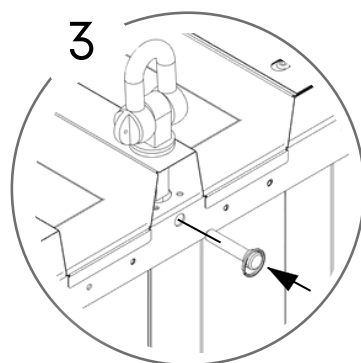
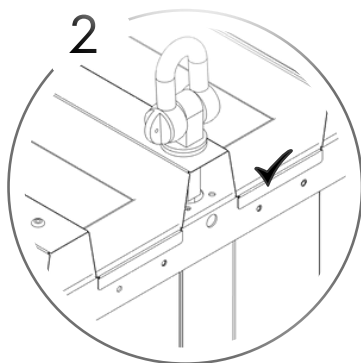
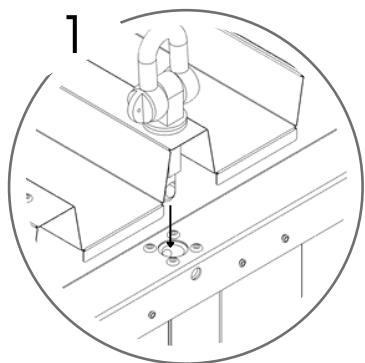
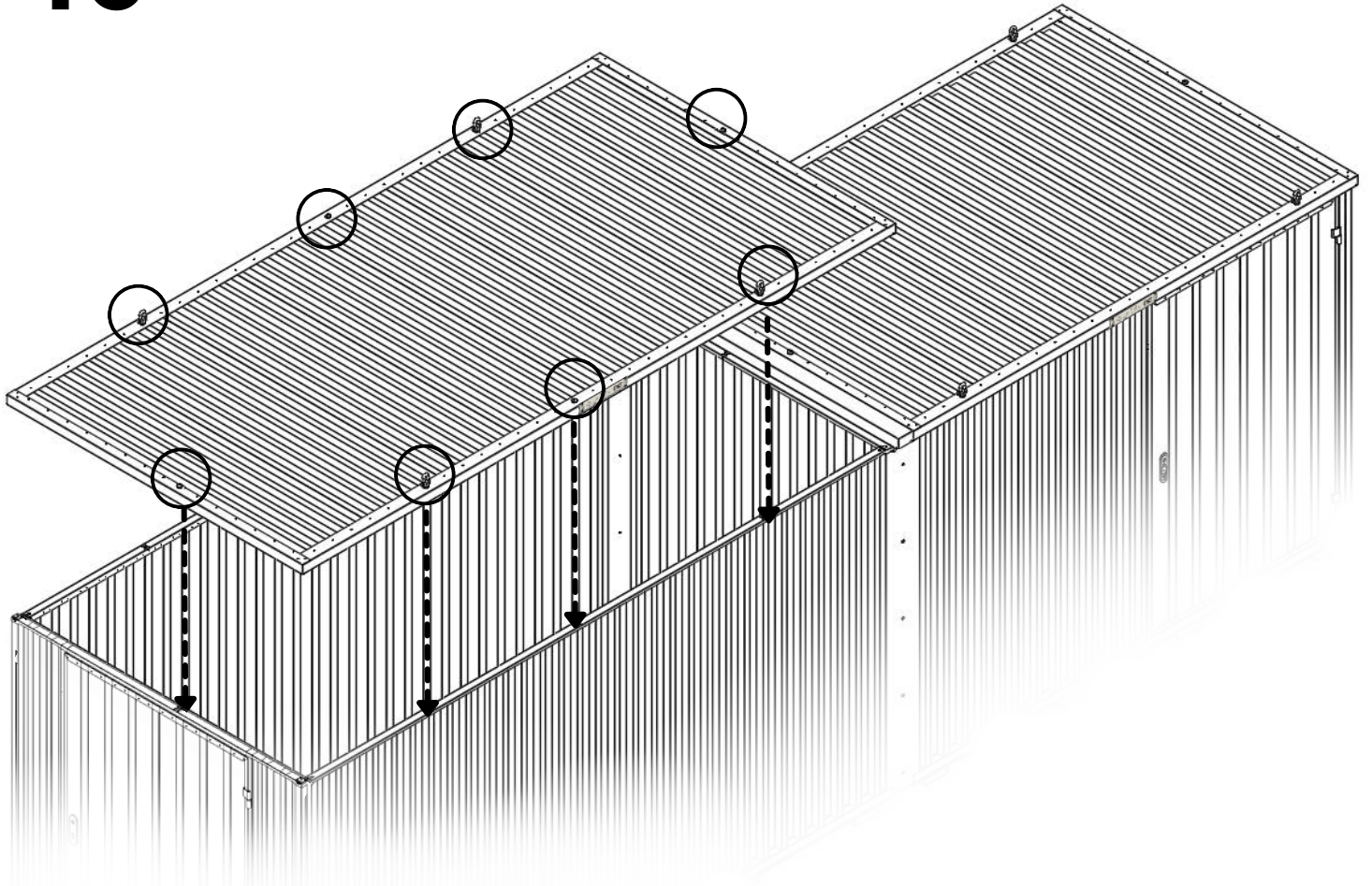
 729 KG	 1640 MM	Model Code: 4030.110.440.320 Production Tracking Code:/X09.1.4030.440.320	 9001	 14001	 50001			
---	--	---	---	--	--	---	---	---



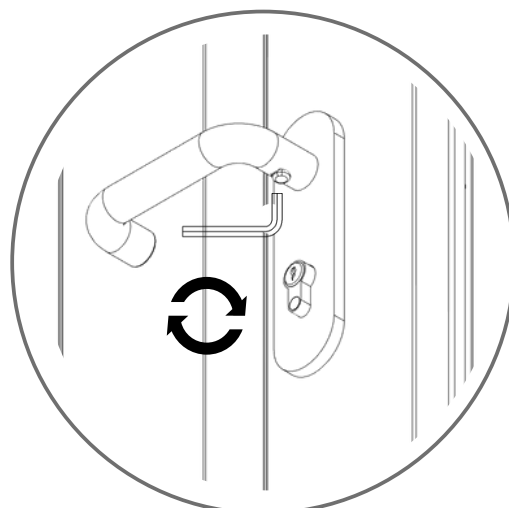
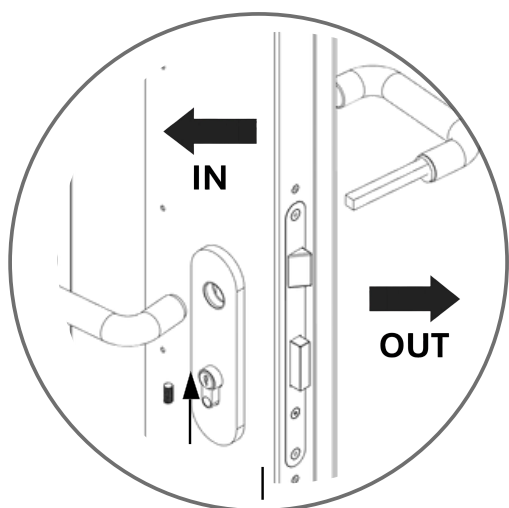
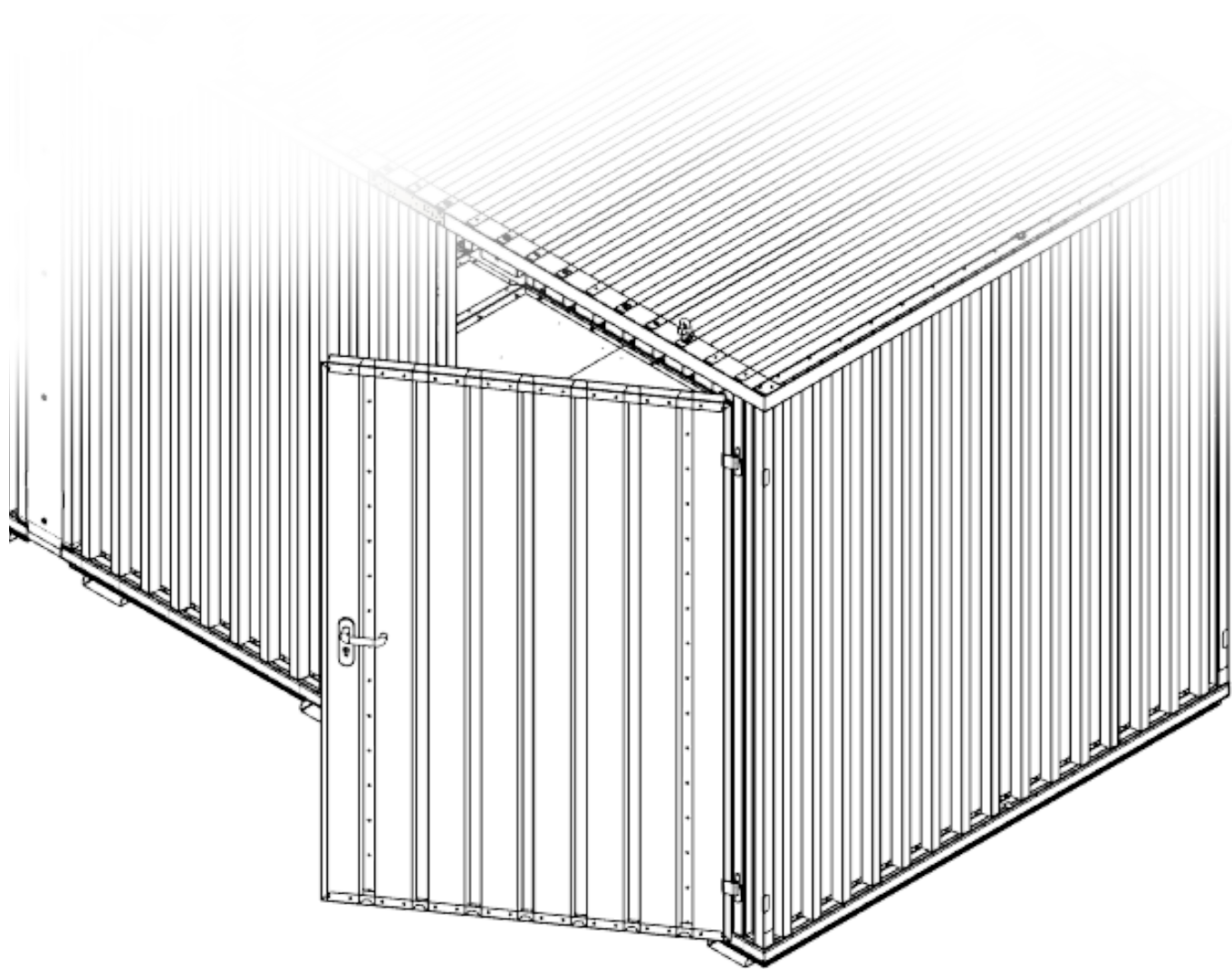
12



13



14



15

