

PRODUCT CODE: 30.110.450

prefabase
Quick Build Solutions

Instructions and User Guide



30.0110
1x

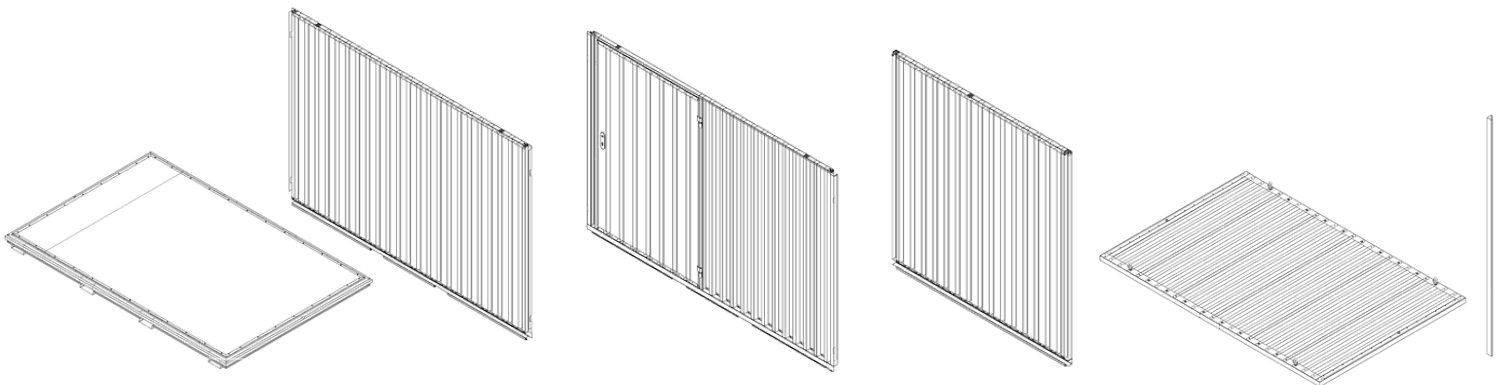
30.0410
1x

30.0450/0210
1x

0310
2x

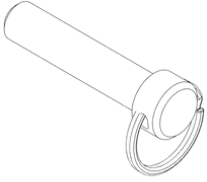
30.0510
1x

0099.61.101
4x

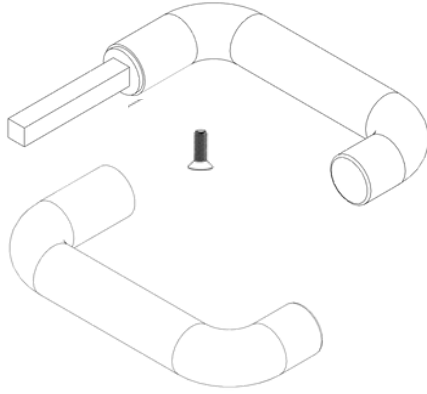




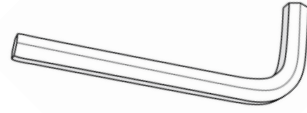
10x



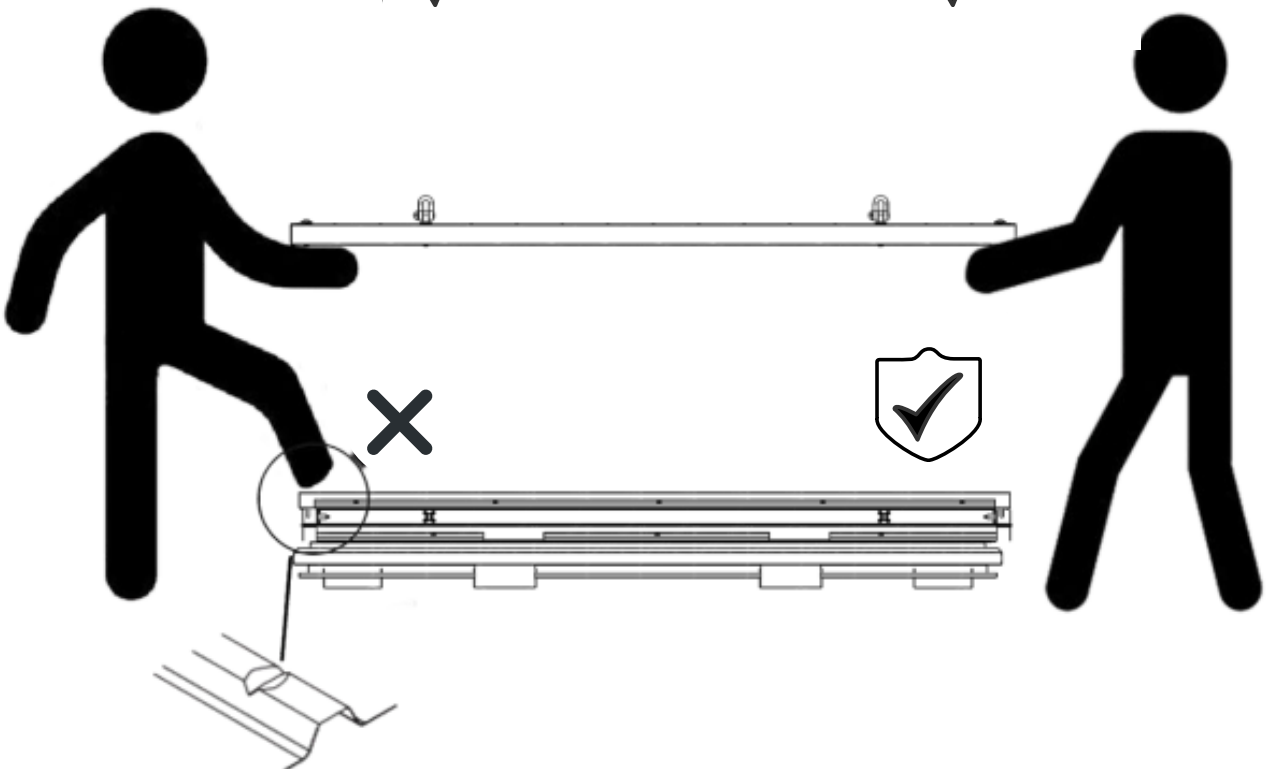
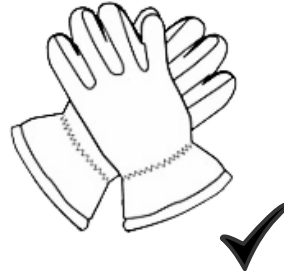
1x



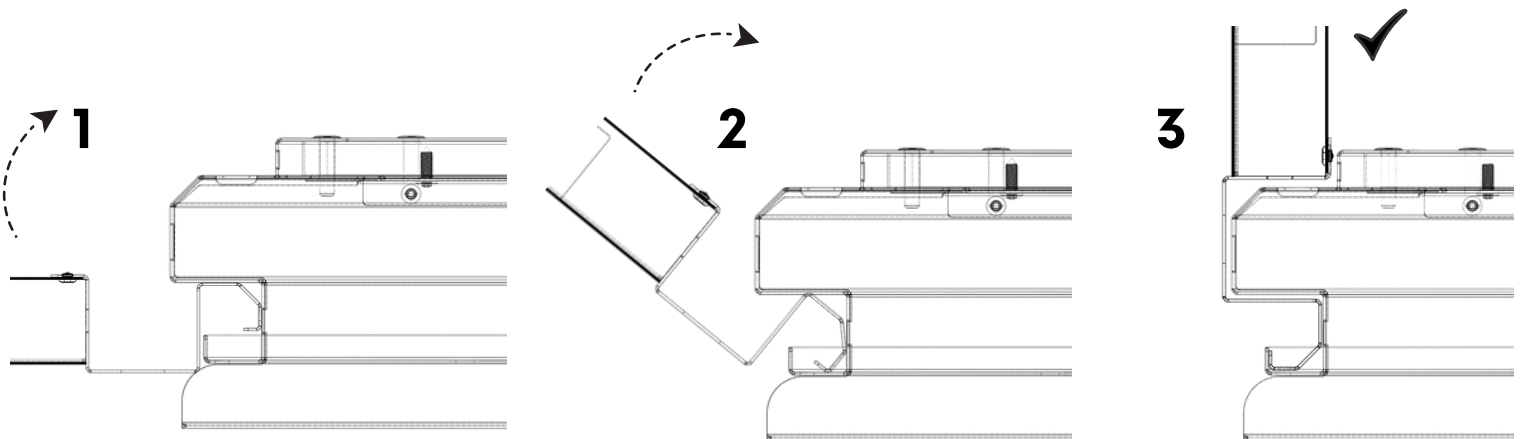
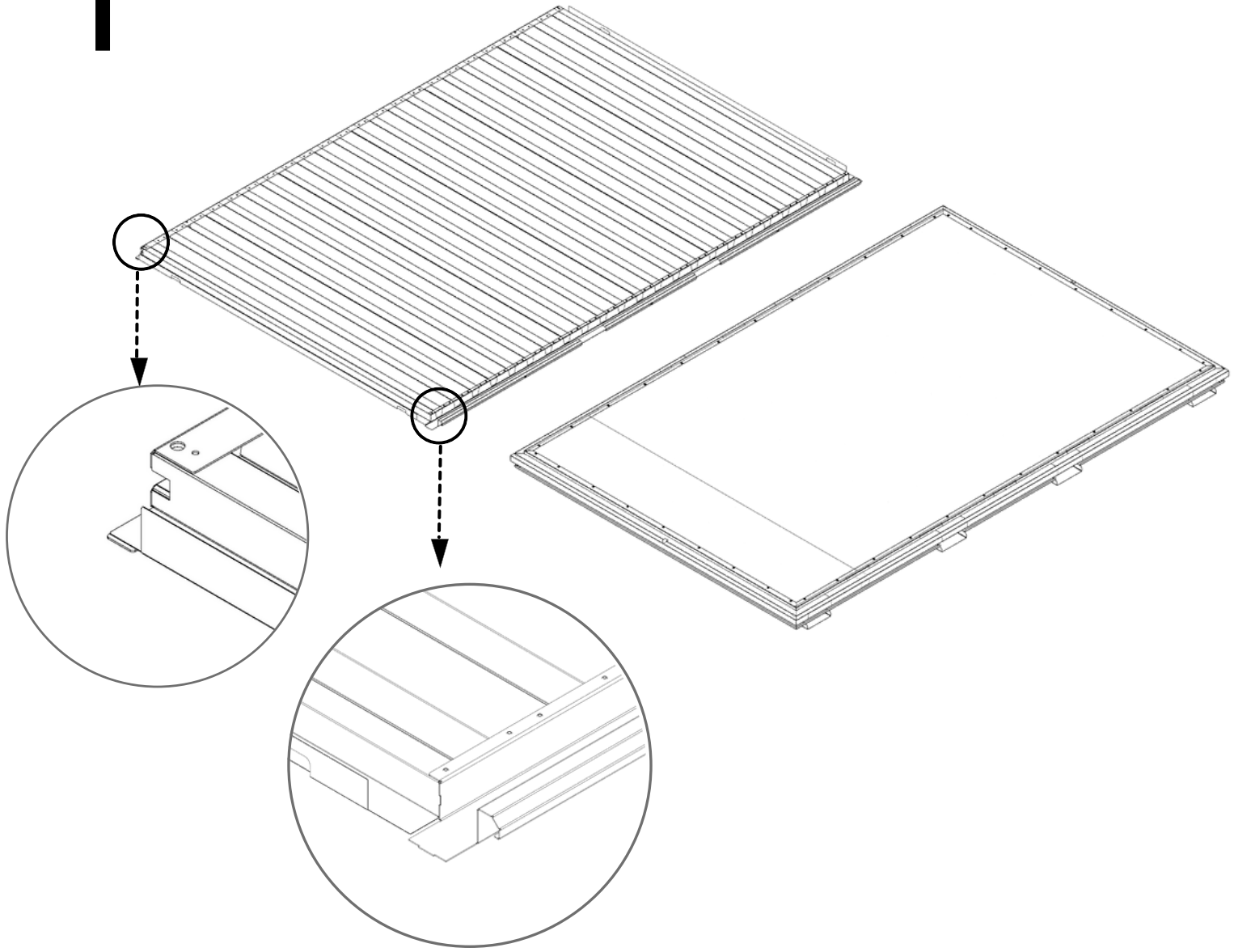
1x



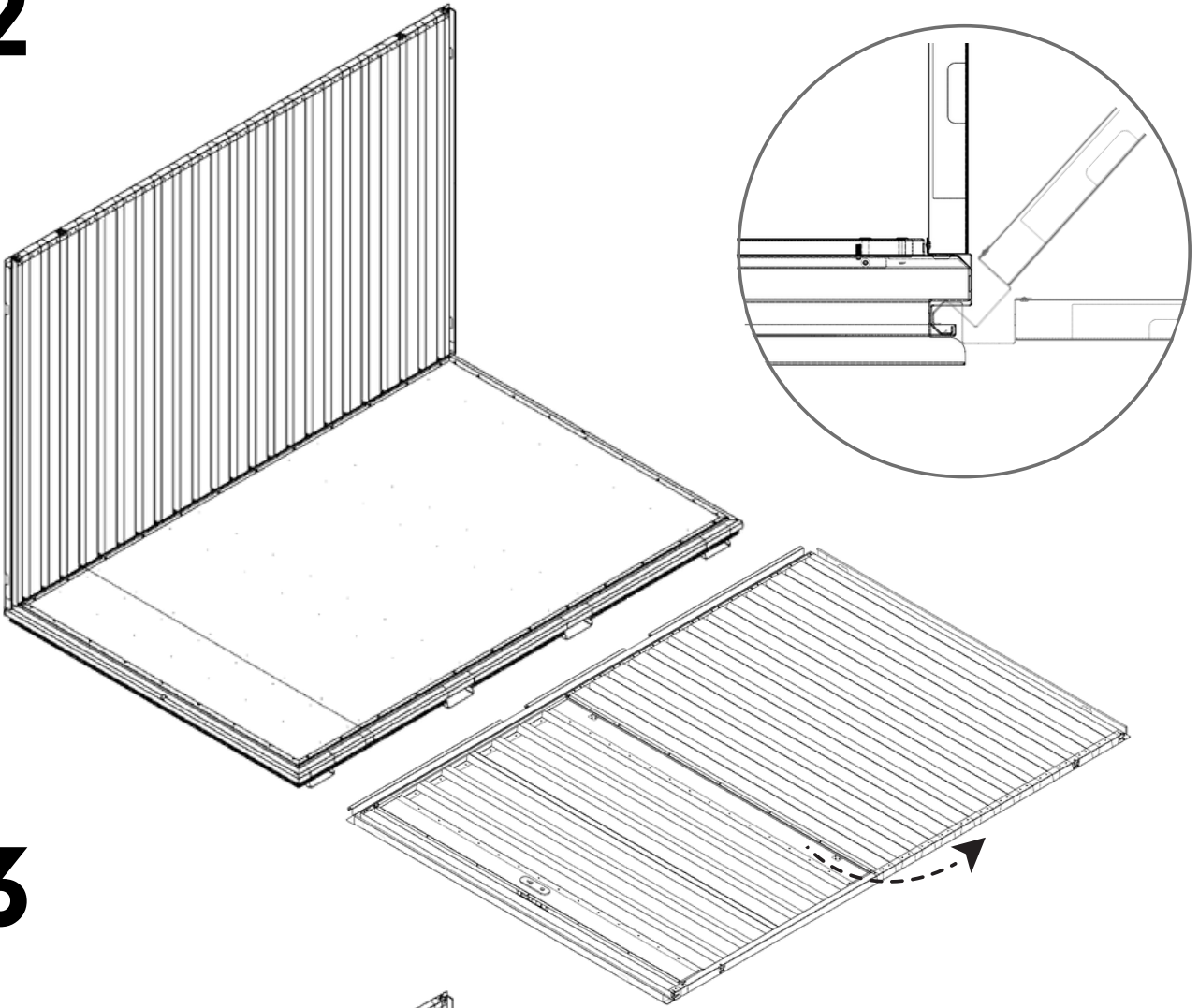
1x



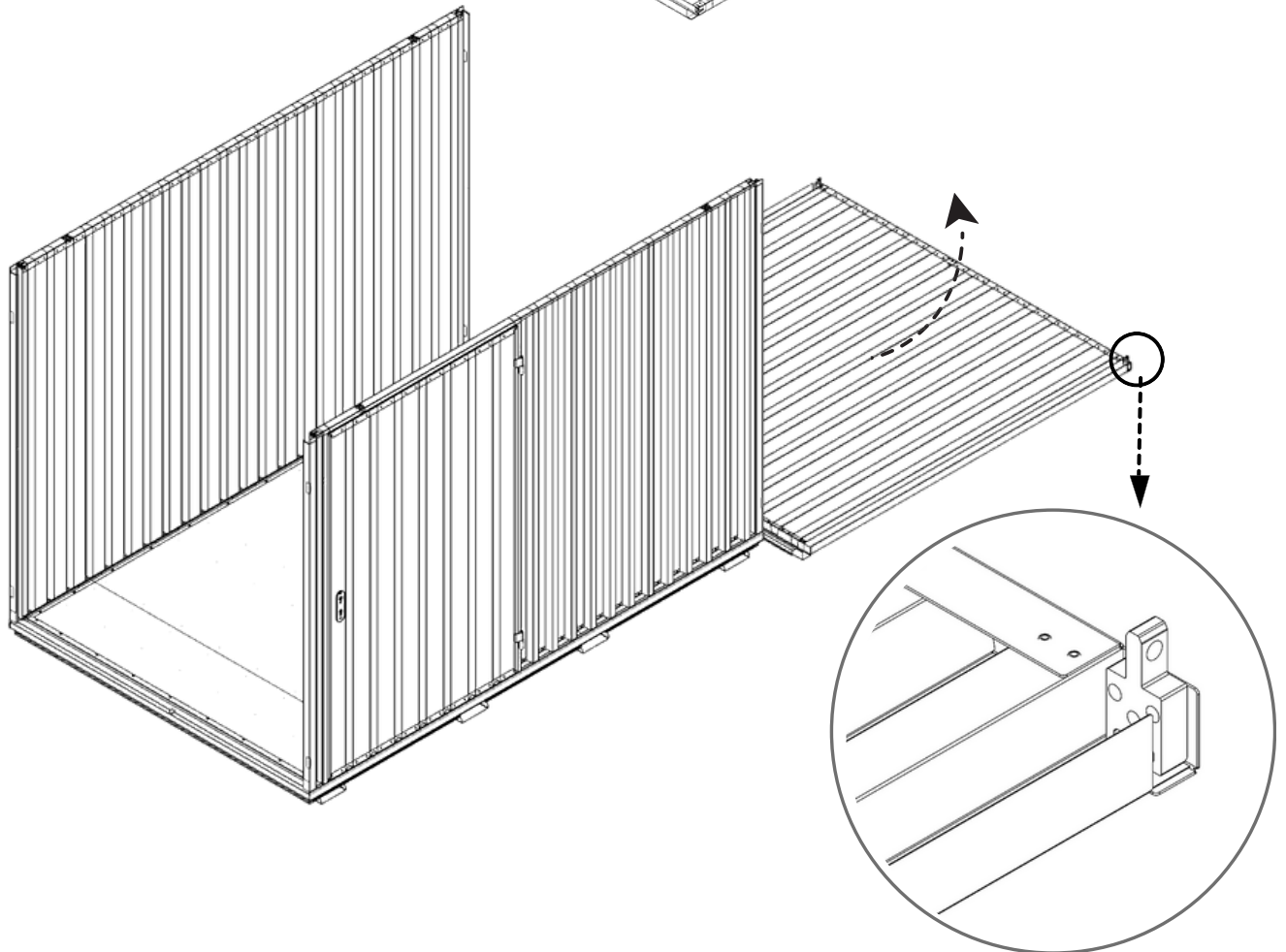
1



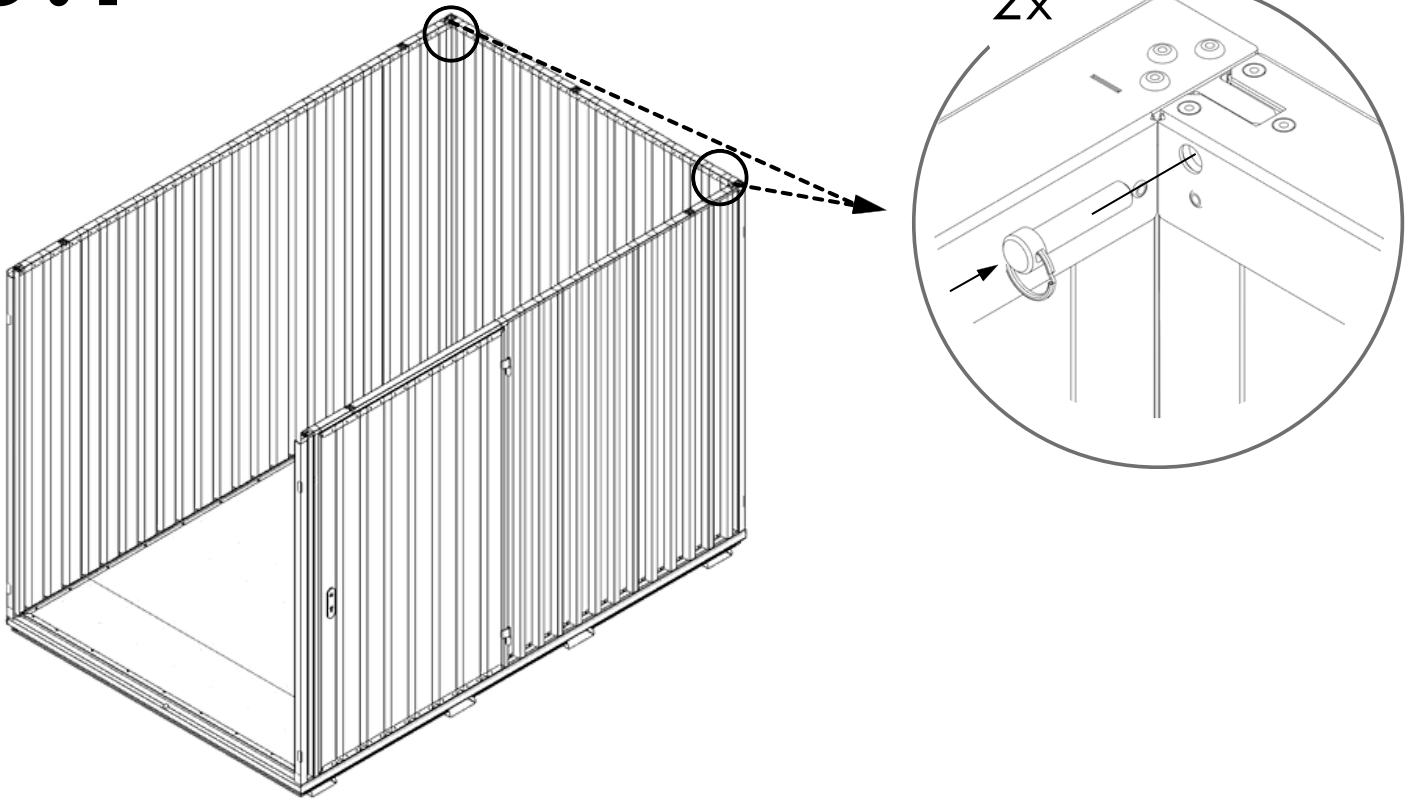
2



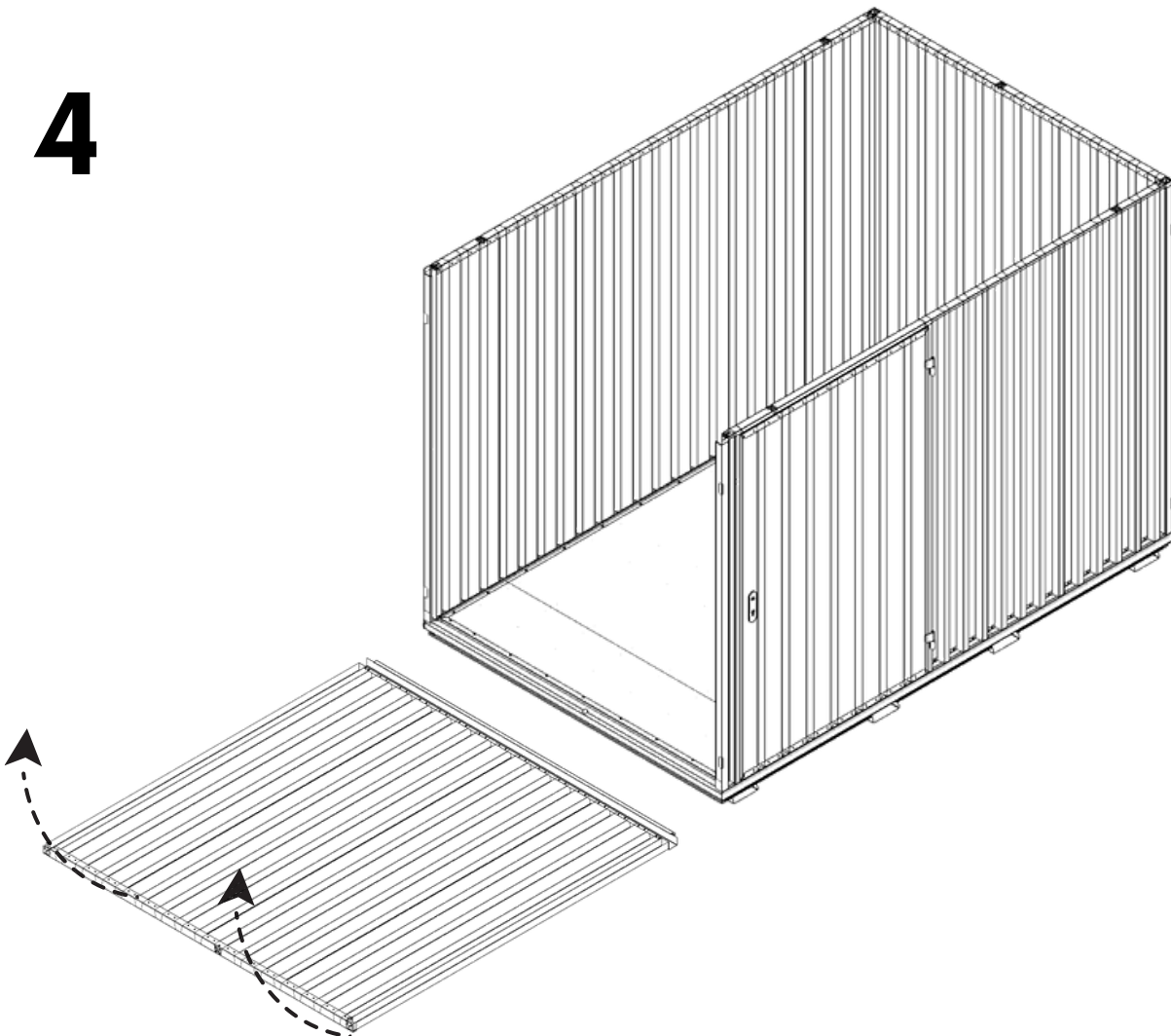
3



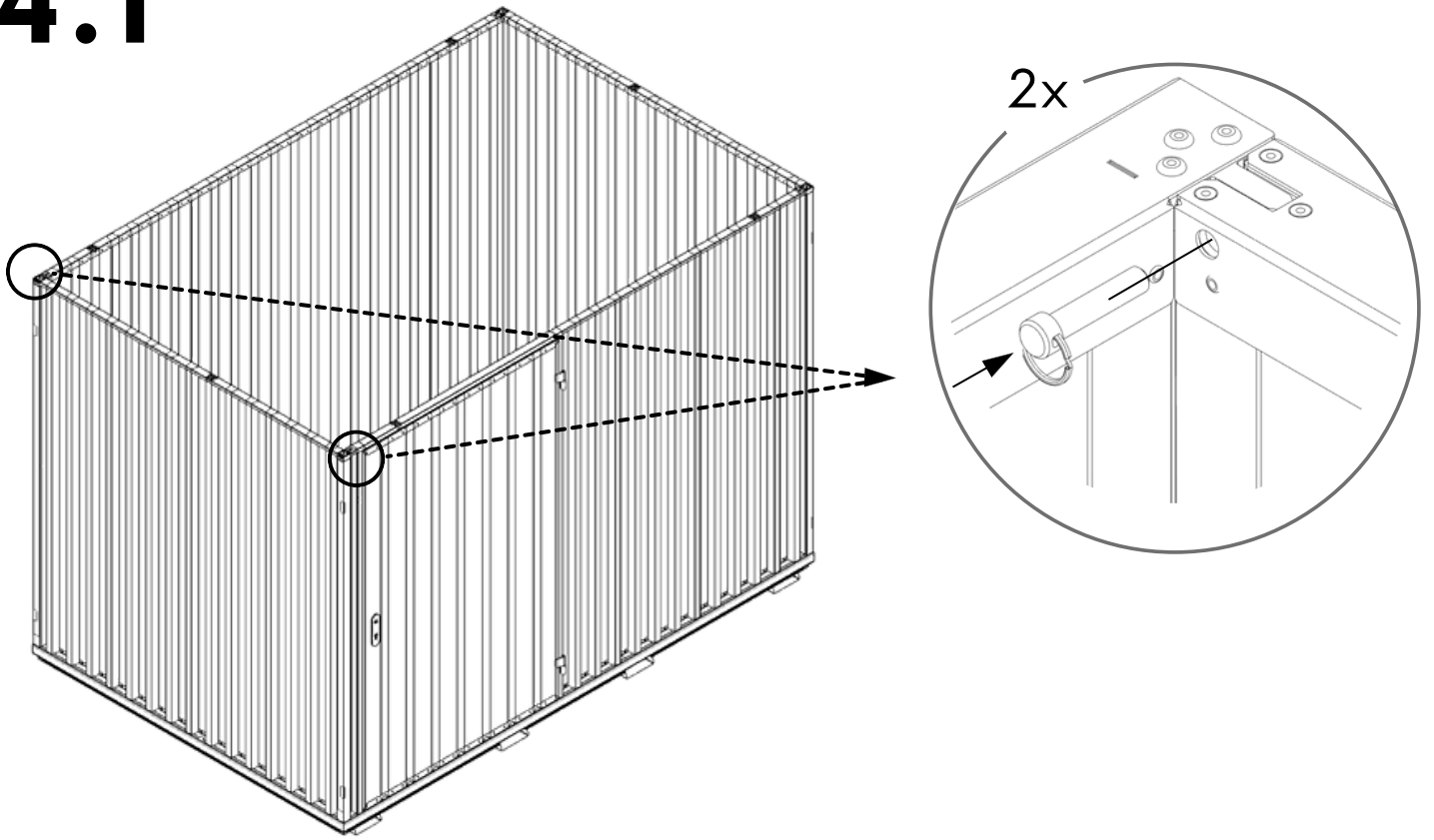
3.1












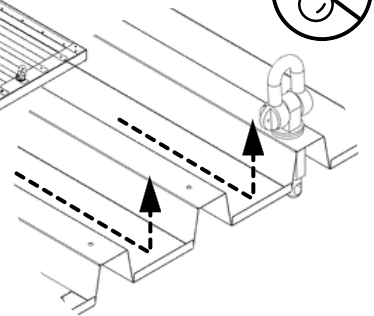
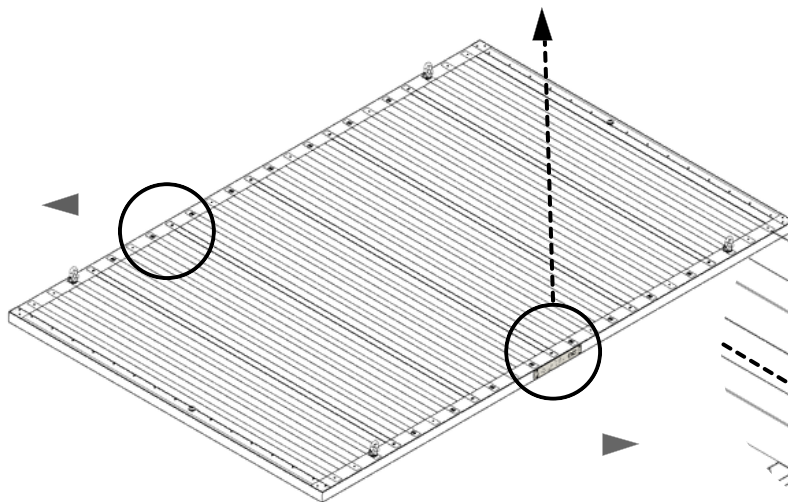
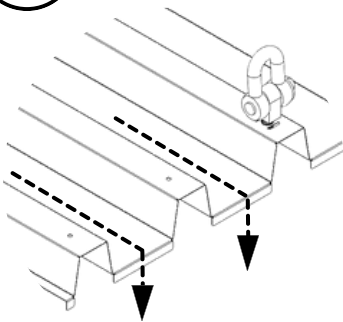
4



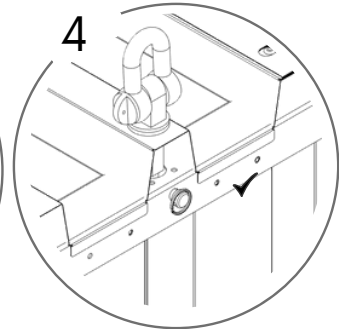
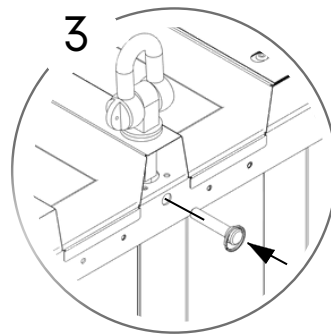
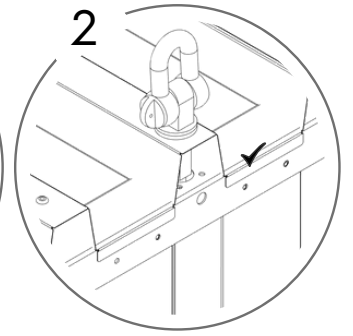
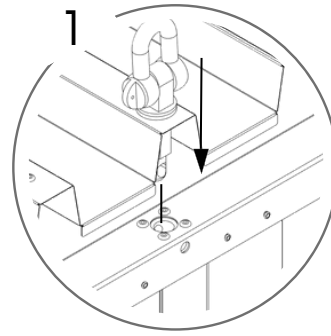
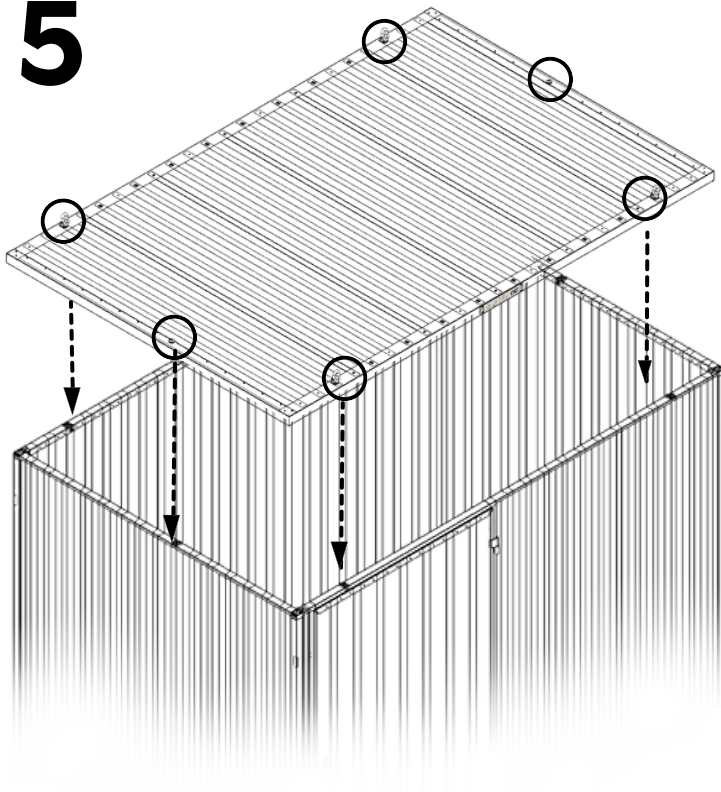
4.1



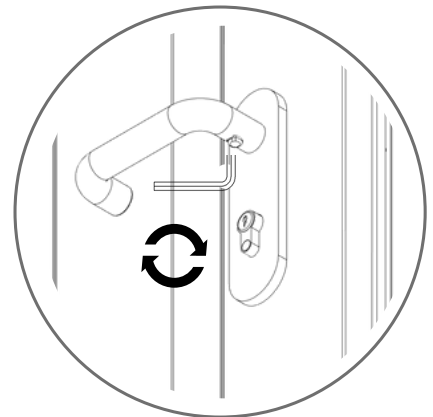
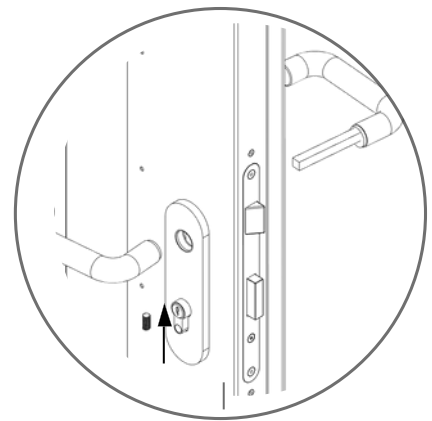
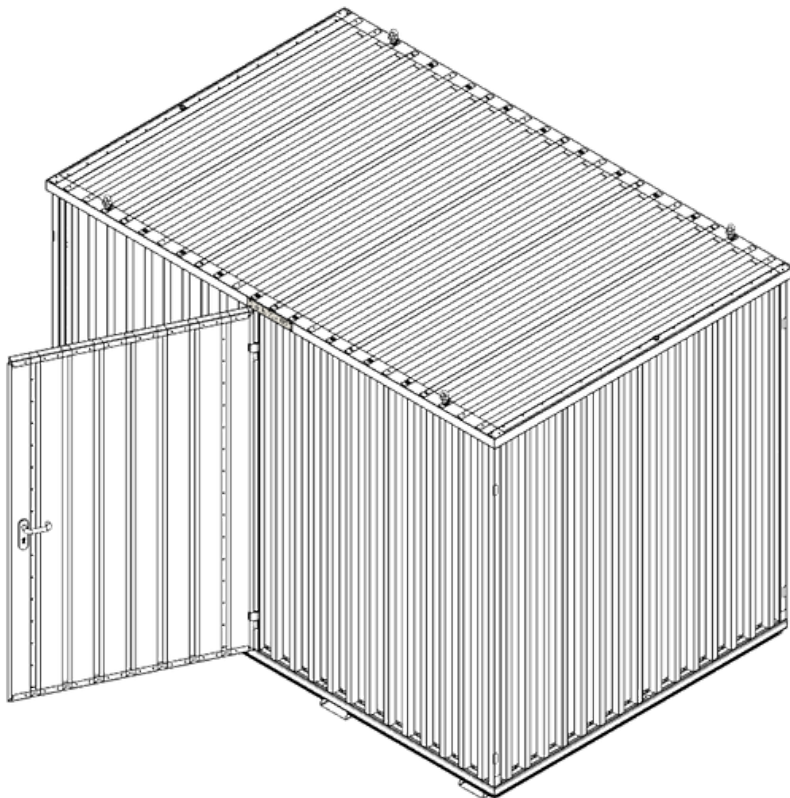
 336 KG	 3 TON	 1640 MM	Model Code: 30.110.440 Production Tracking Code:X09.1.30.440  9001  14001  50001	  
---	--	--	---	---



5



6



7

