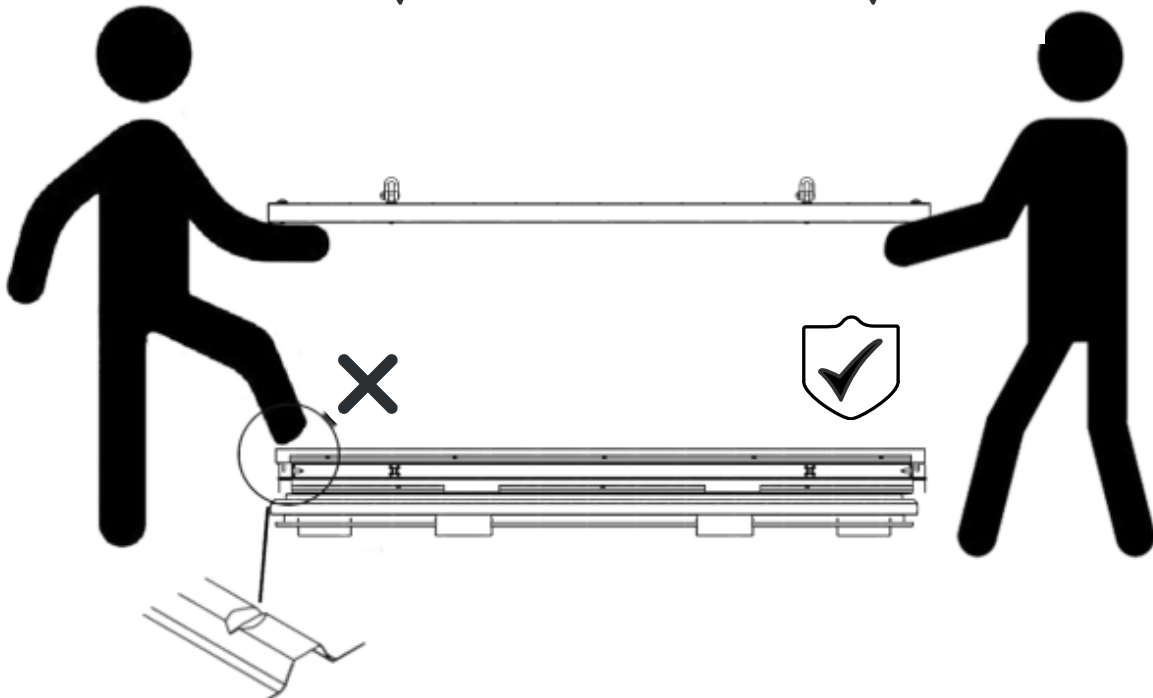


PRODUCT CODE:3033.110.430

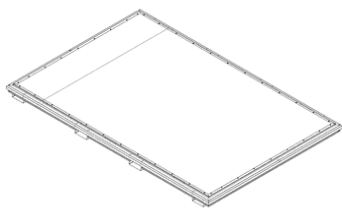
**prefabase**  
Quick Build Solutions

Instructions and User Guide



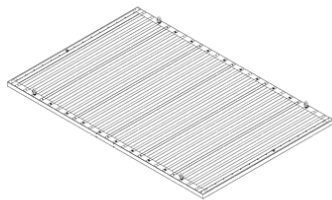
30.0110

3x



30.0510

3x



303.0110

2x



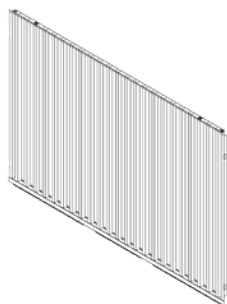
303.0510

2x



30.0410

1x



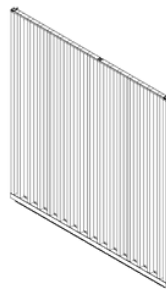
30.0430

1x



0310

6x



305.20.08

4x



305.20.09

4x

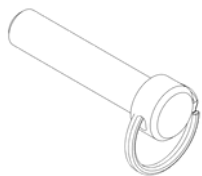


61.101

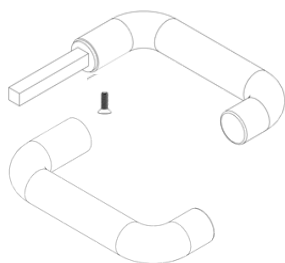
4x



30x



1x



20x



20x



20x



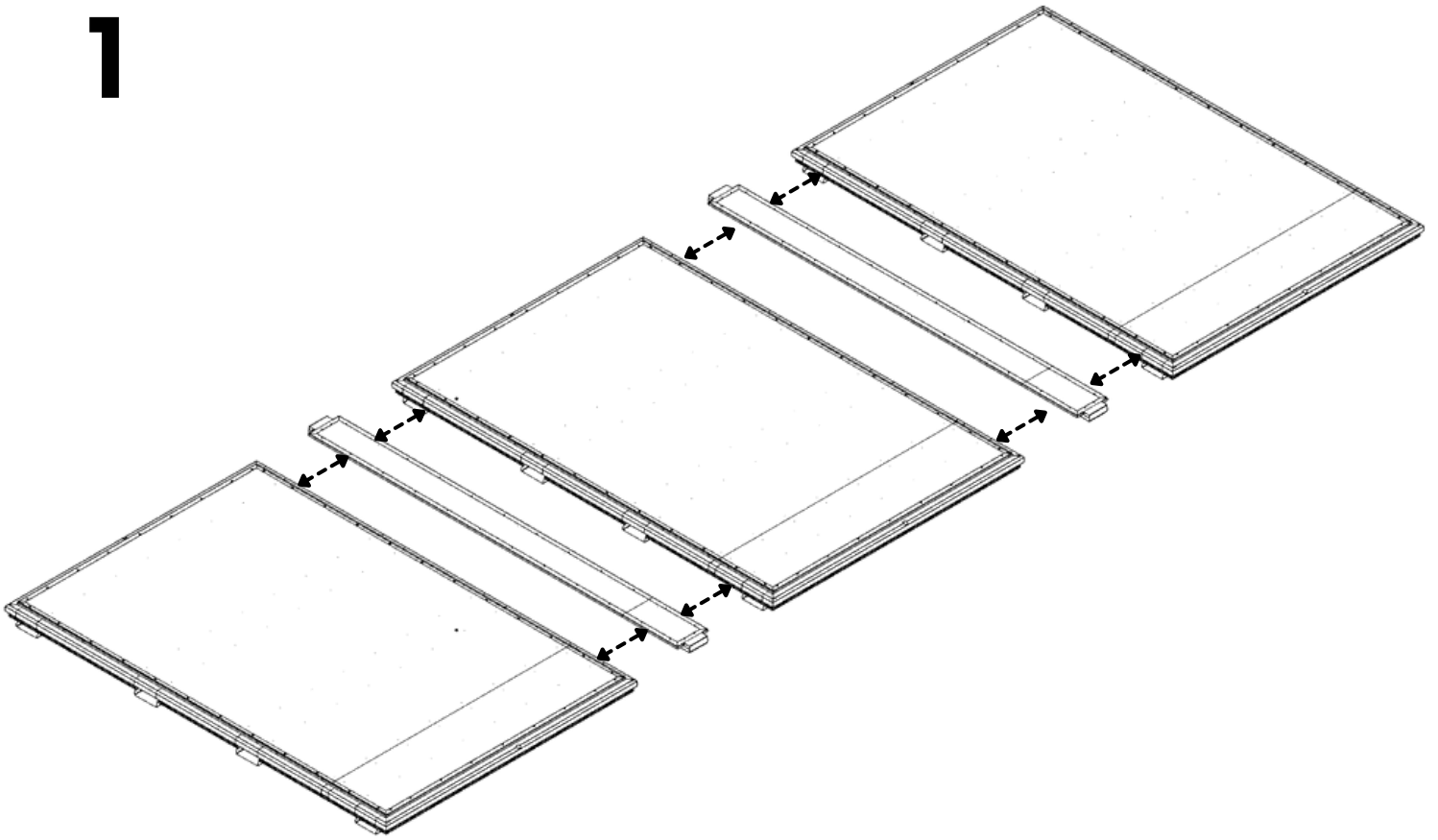
1x



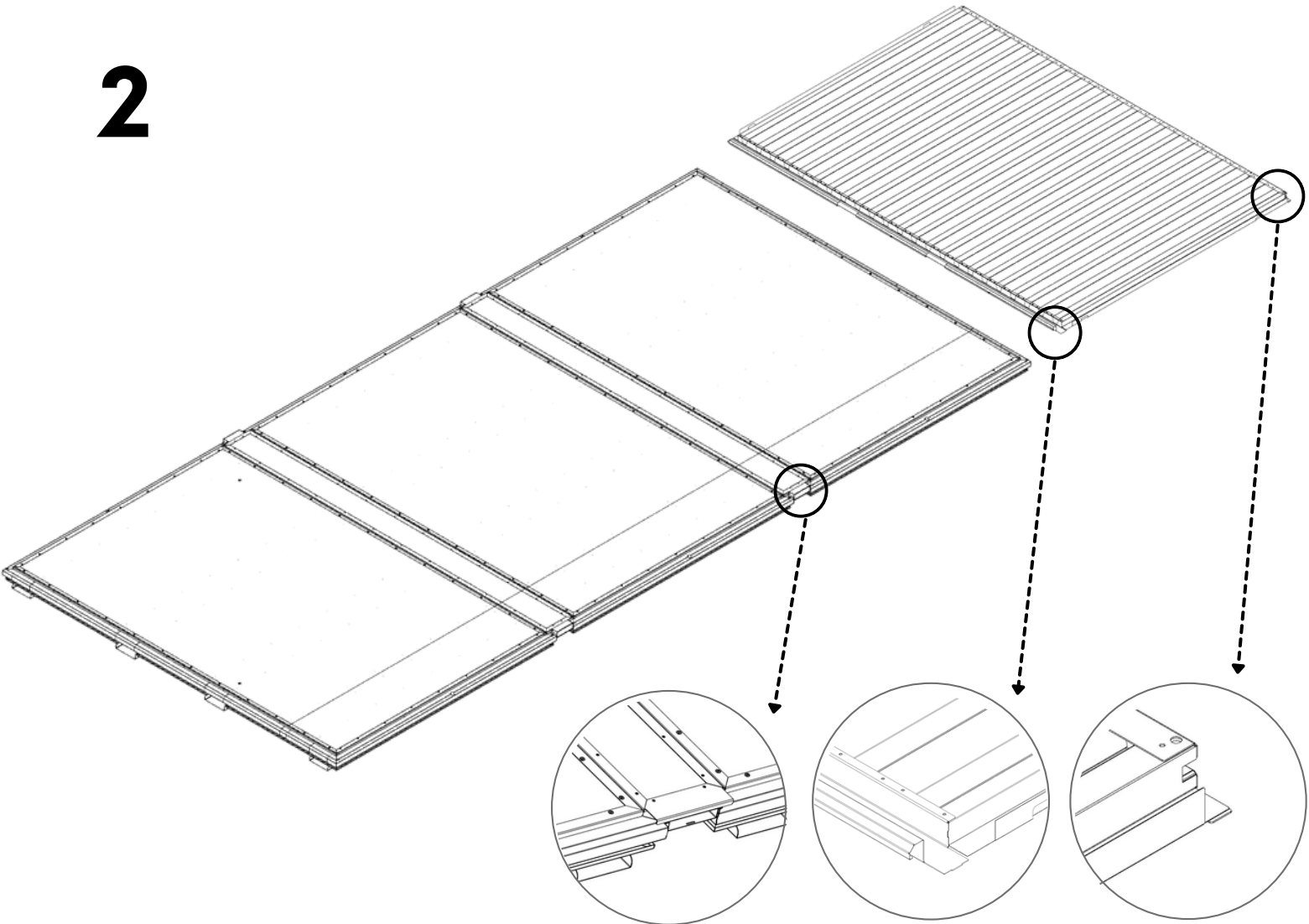
1x

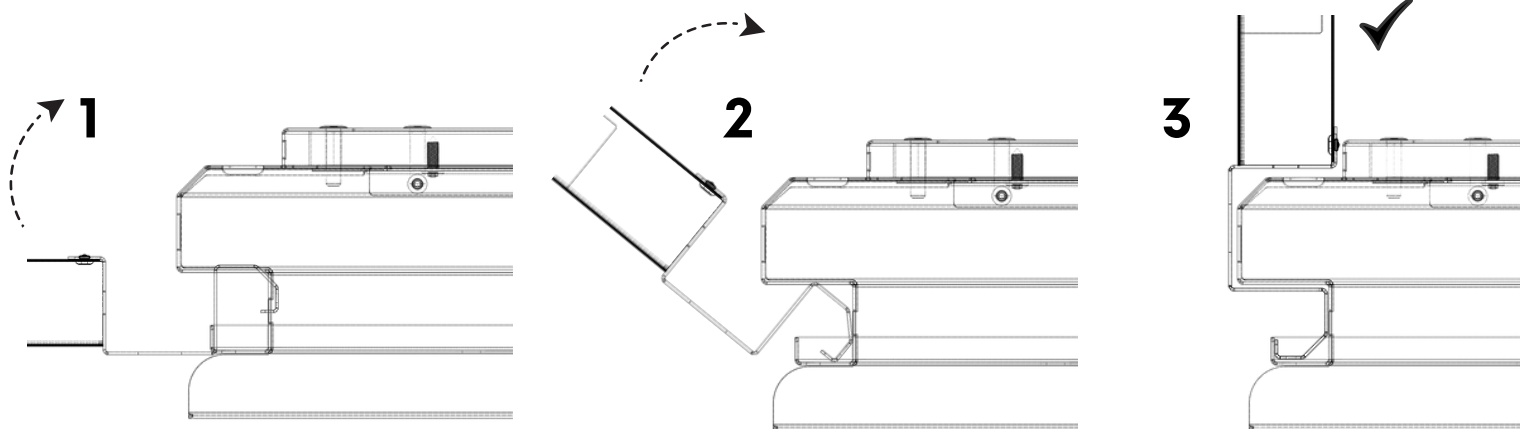


**1**

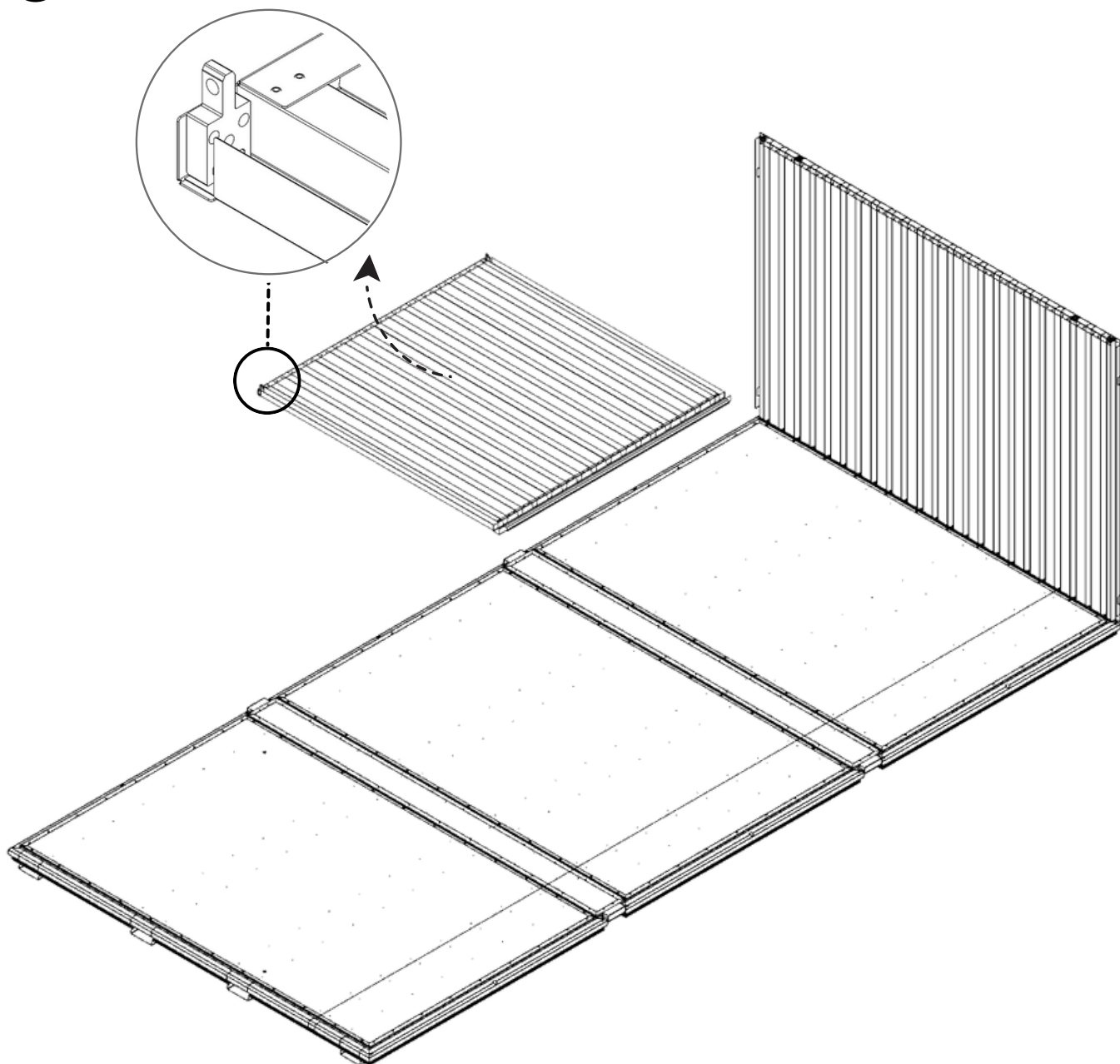


**2**



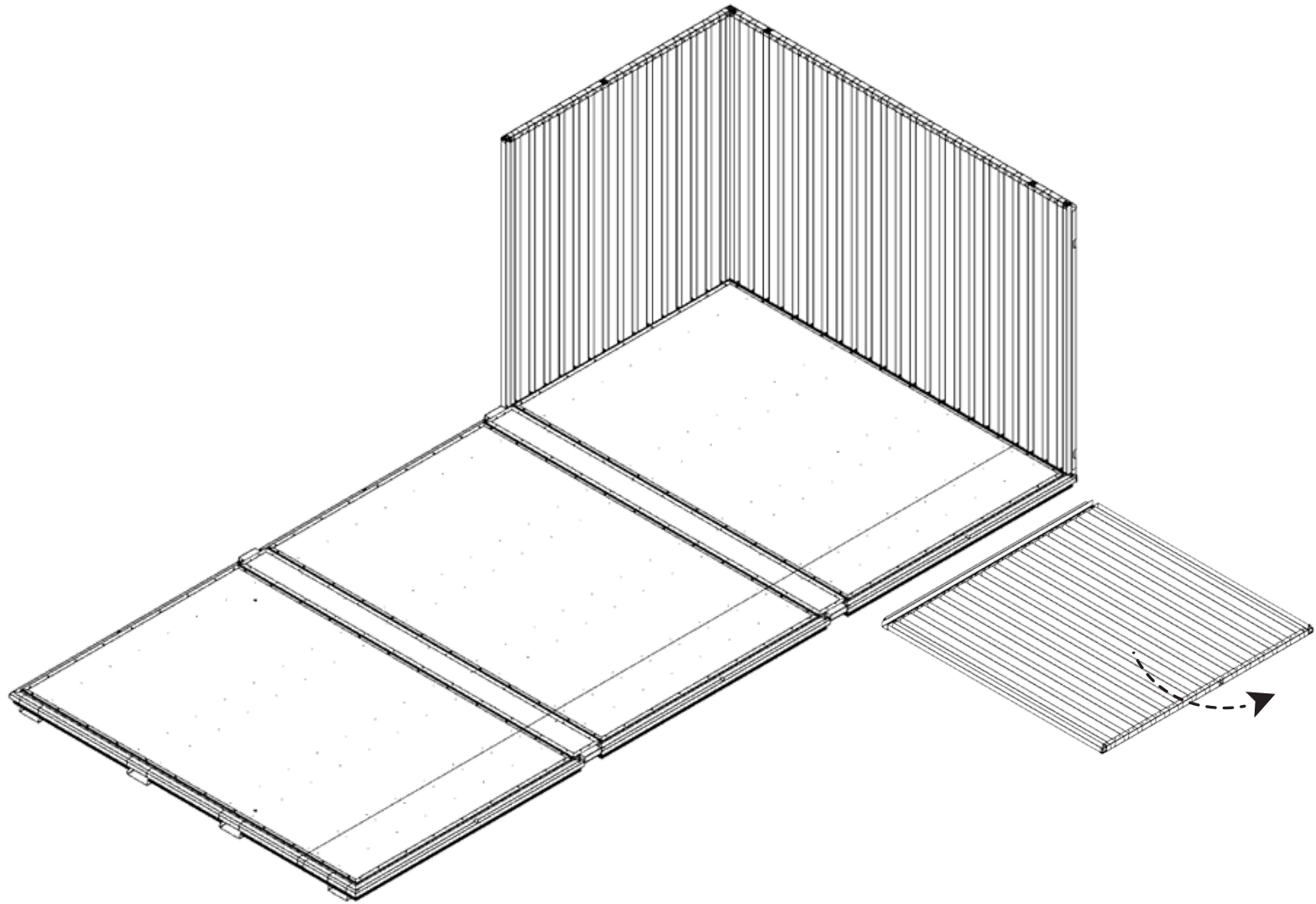


3

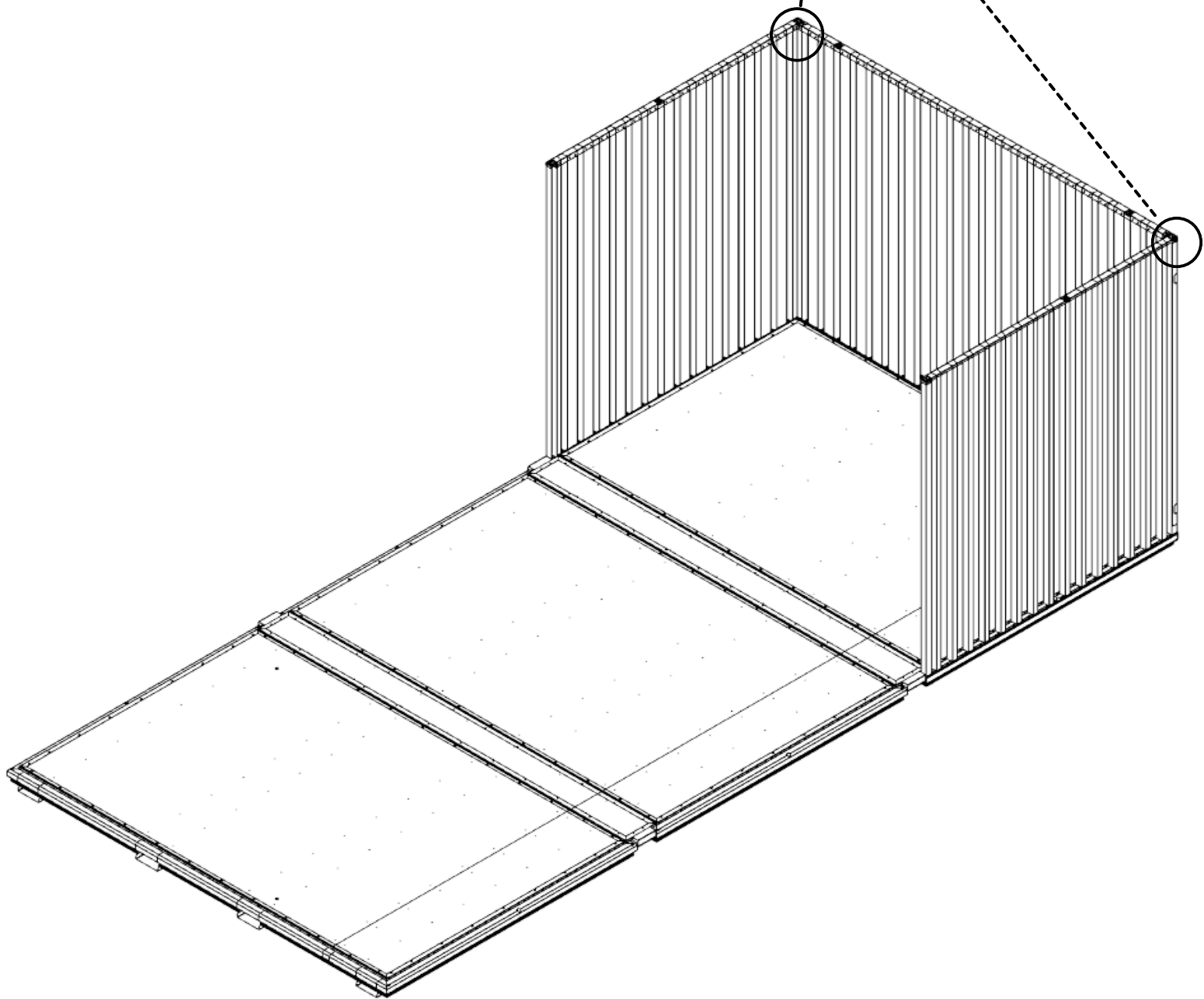
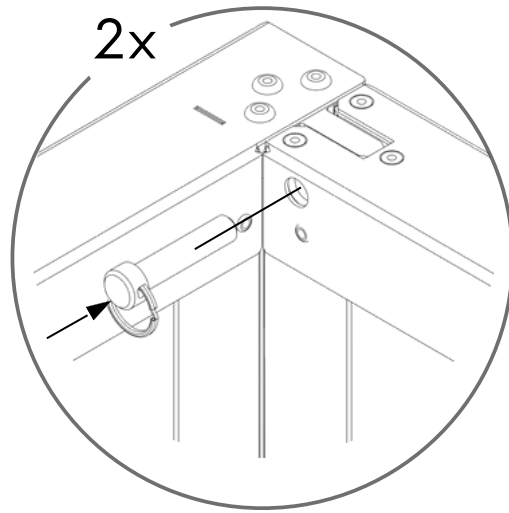




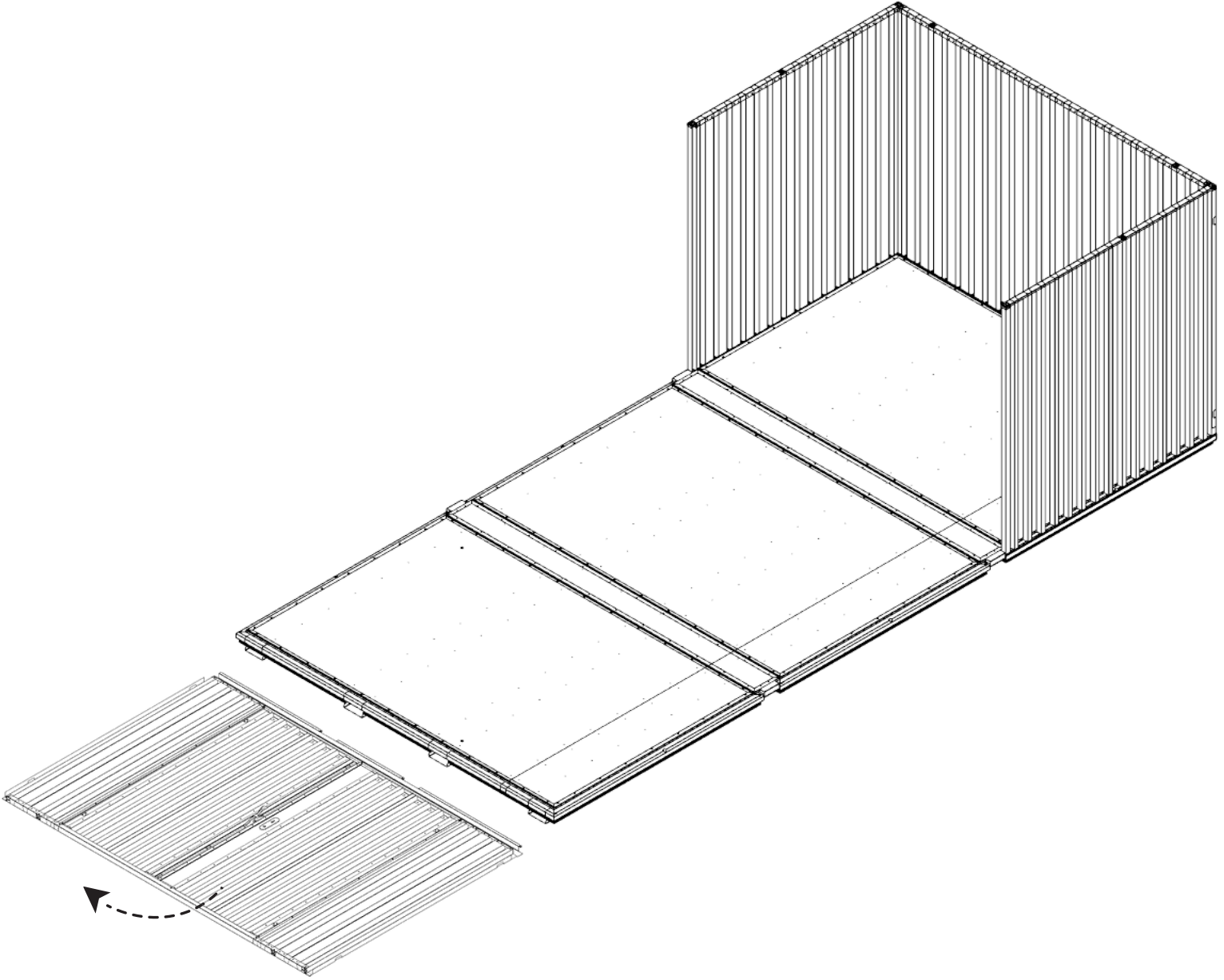
4



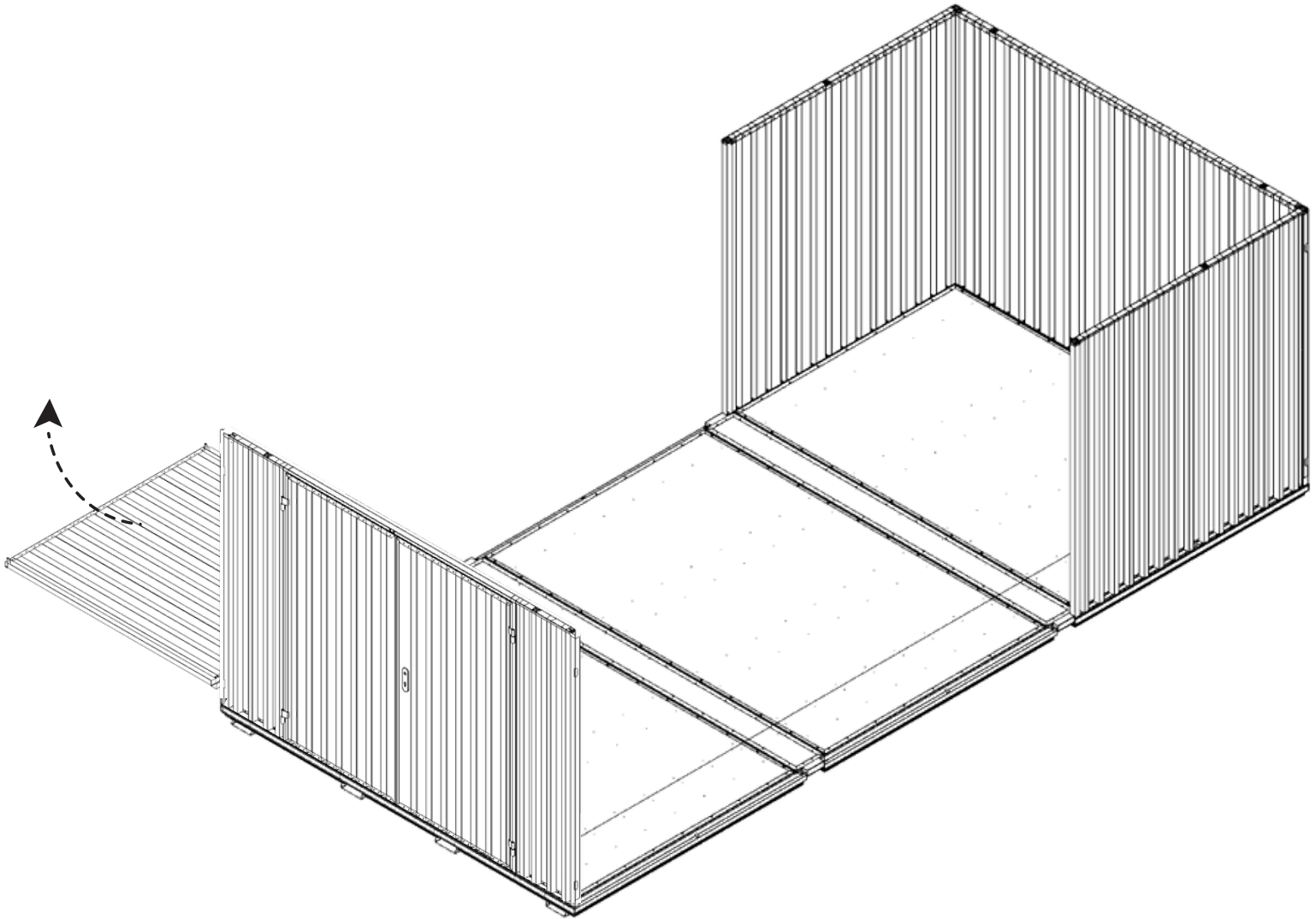
# 4.1



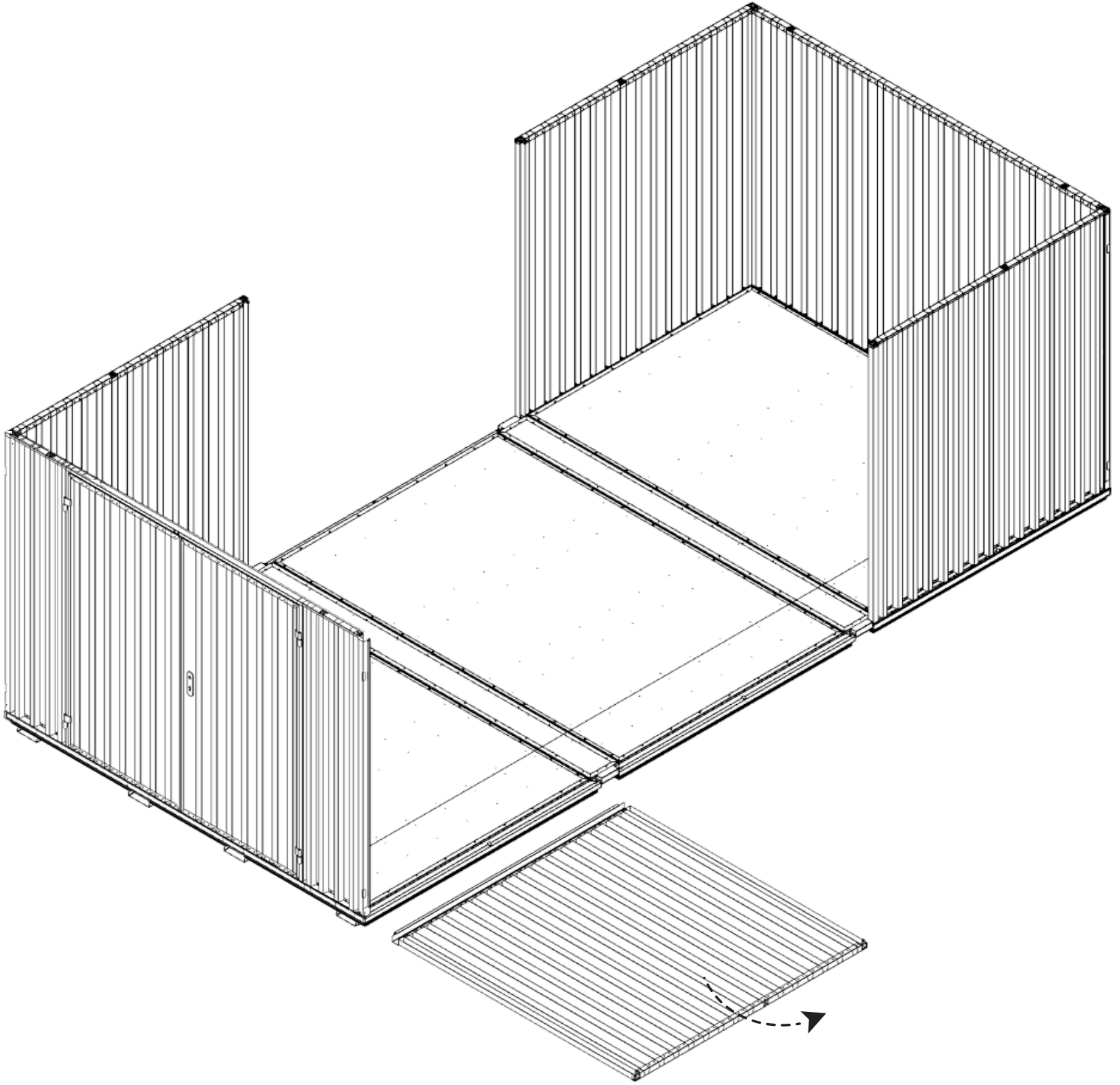
5



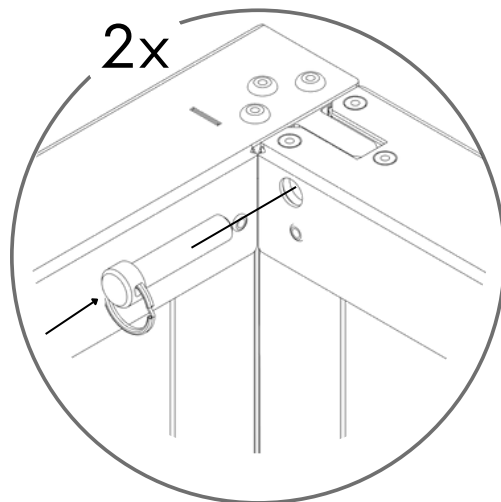
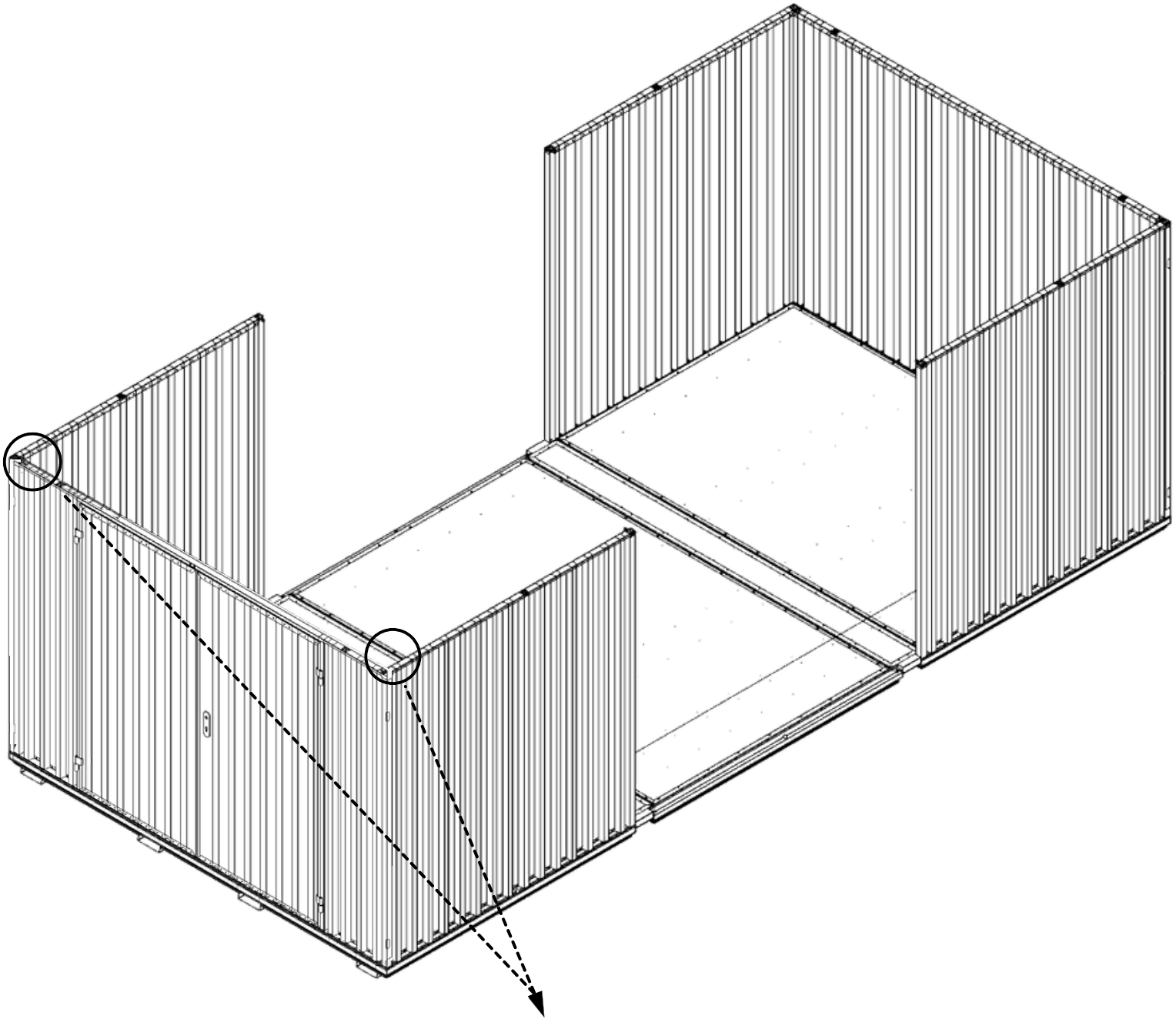
6



7

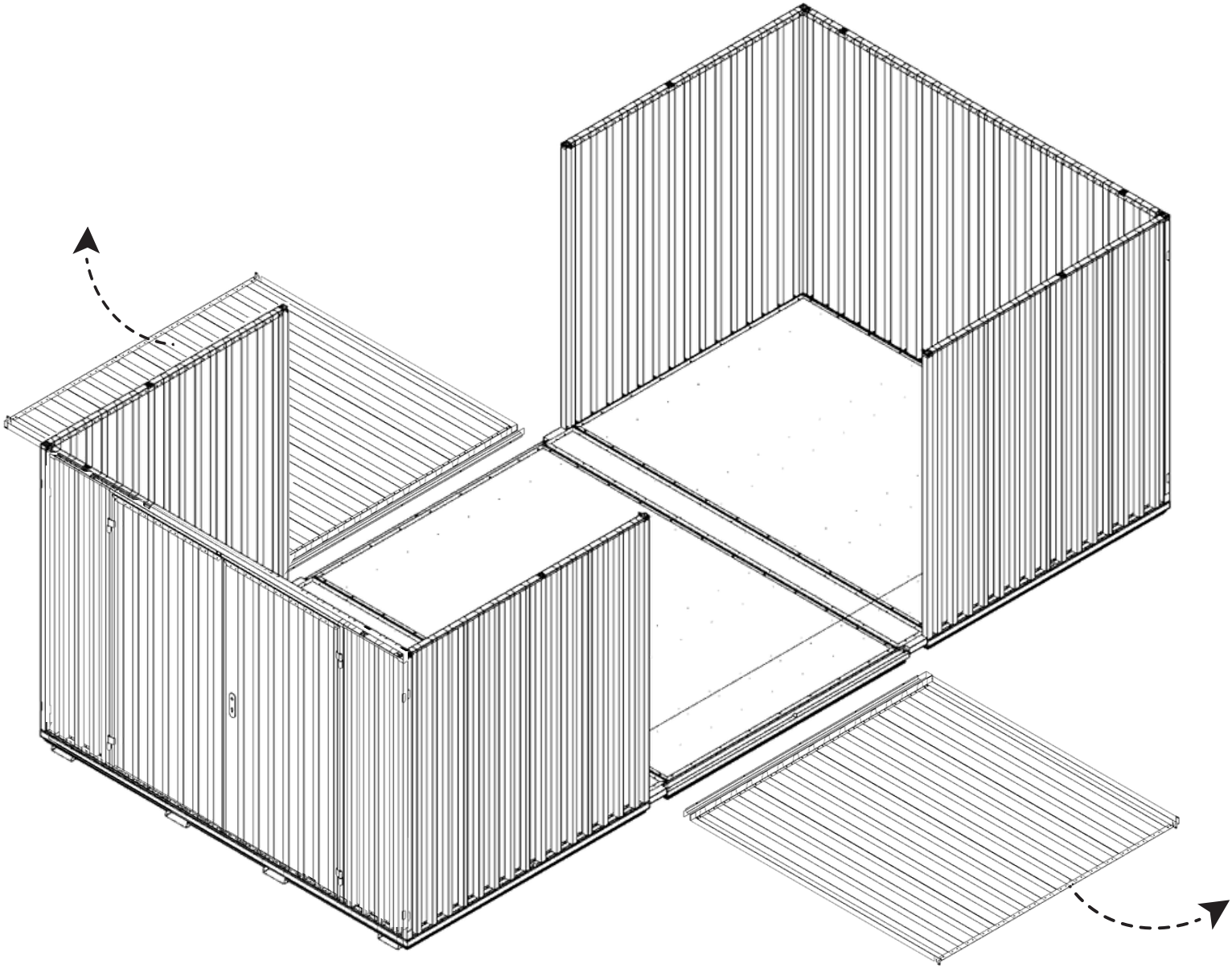


# 7.1

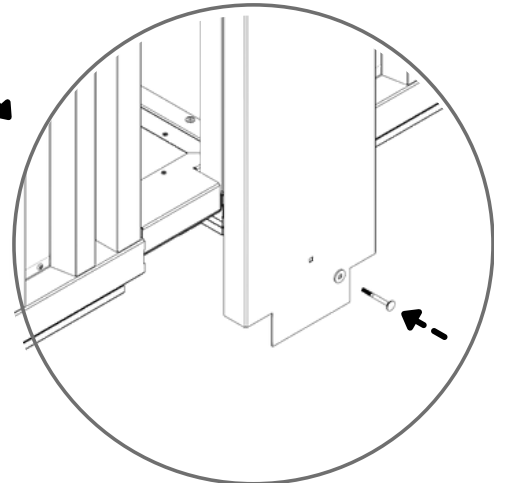
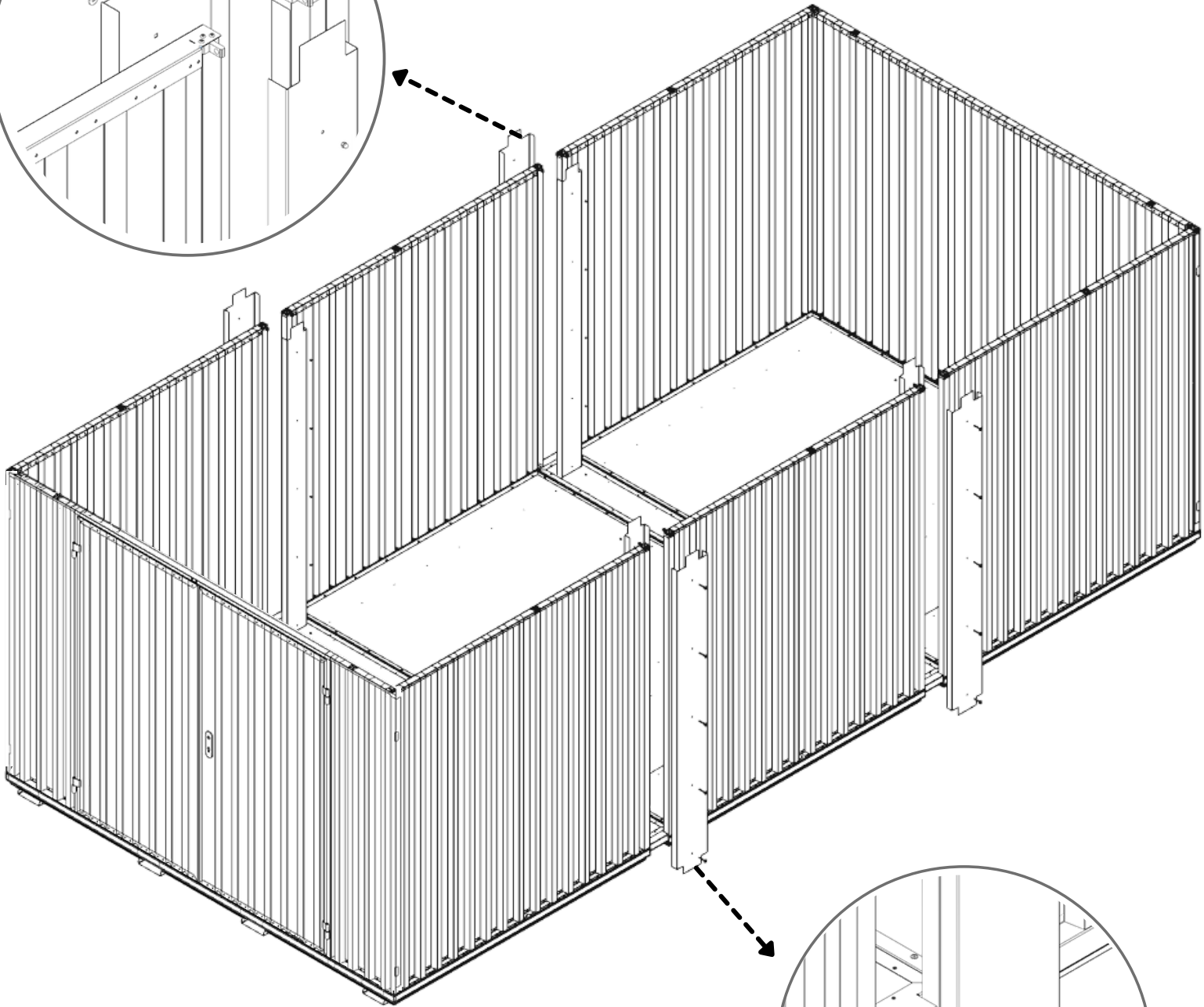
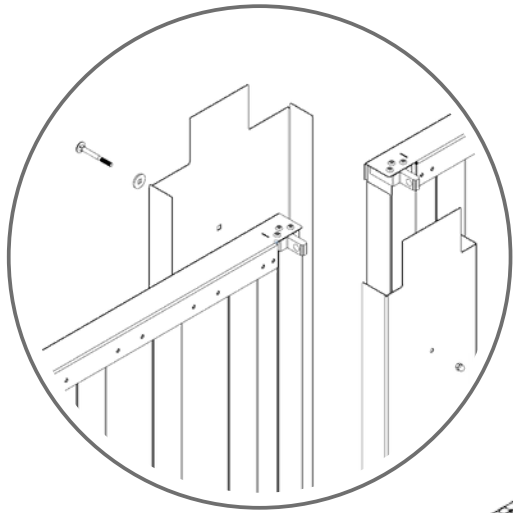




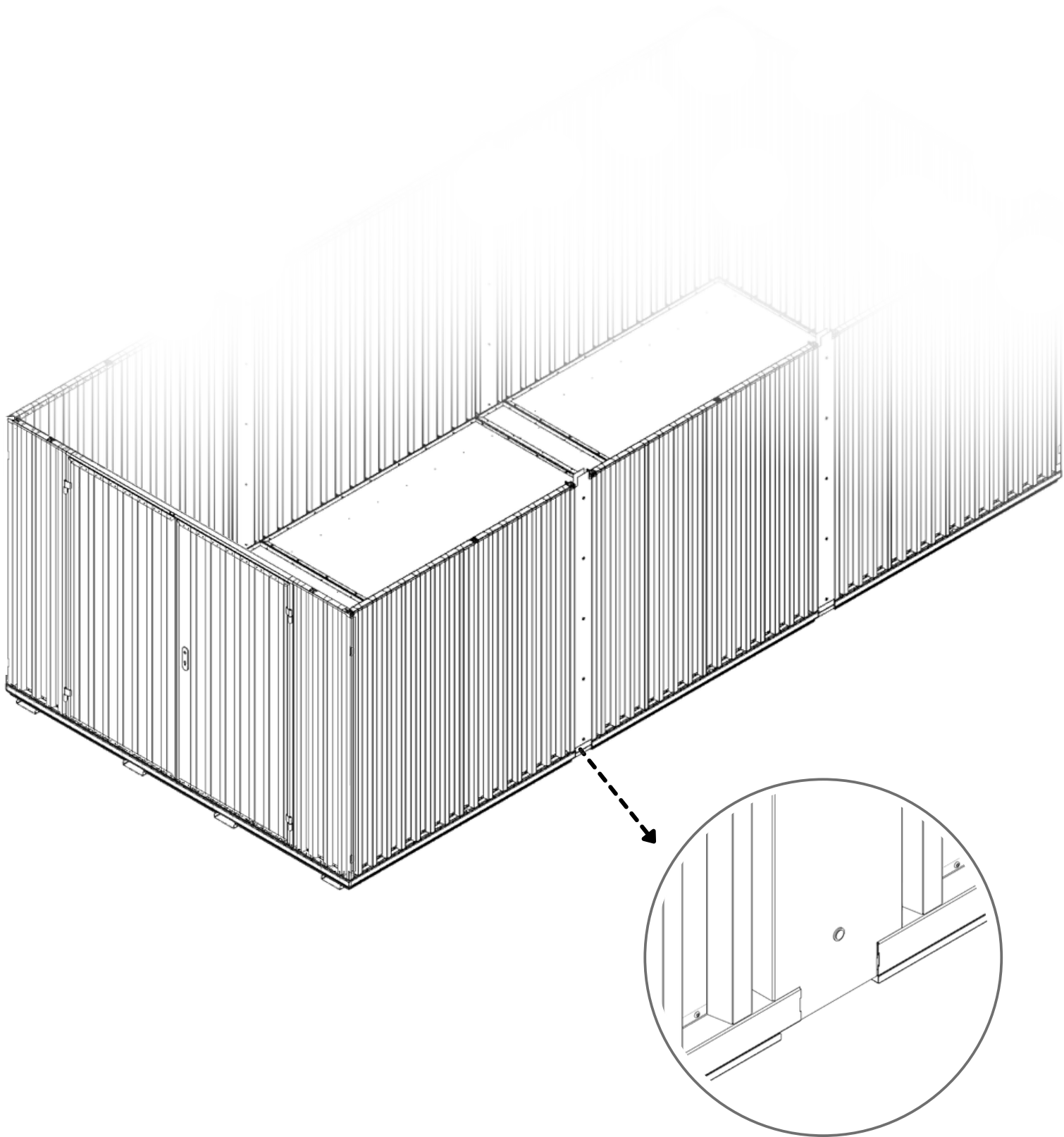
8



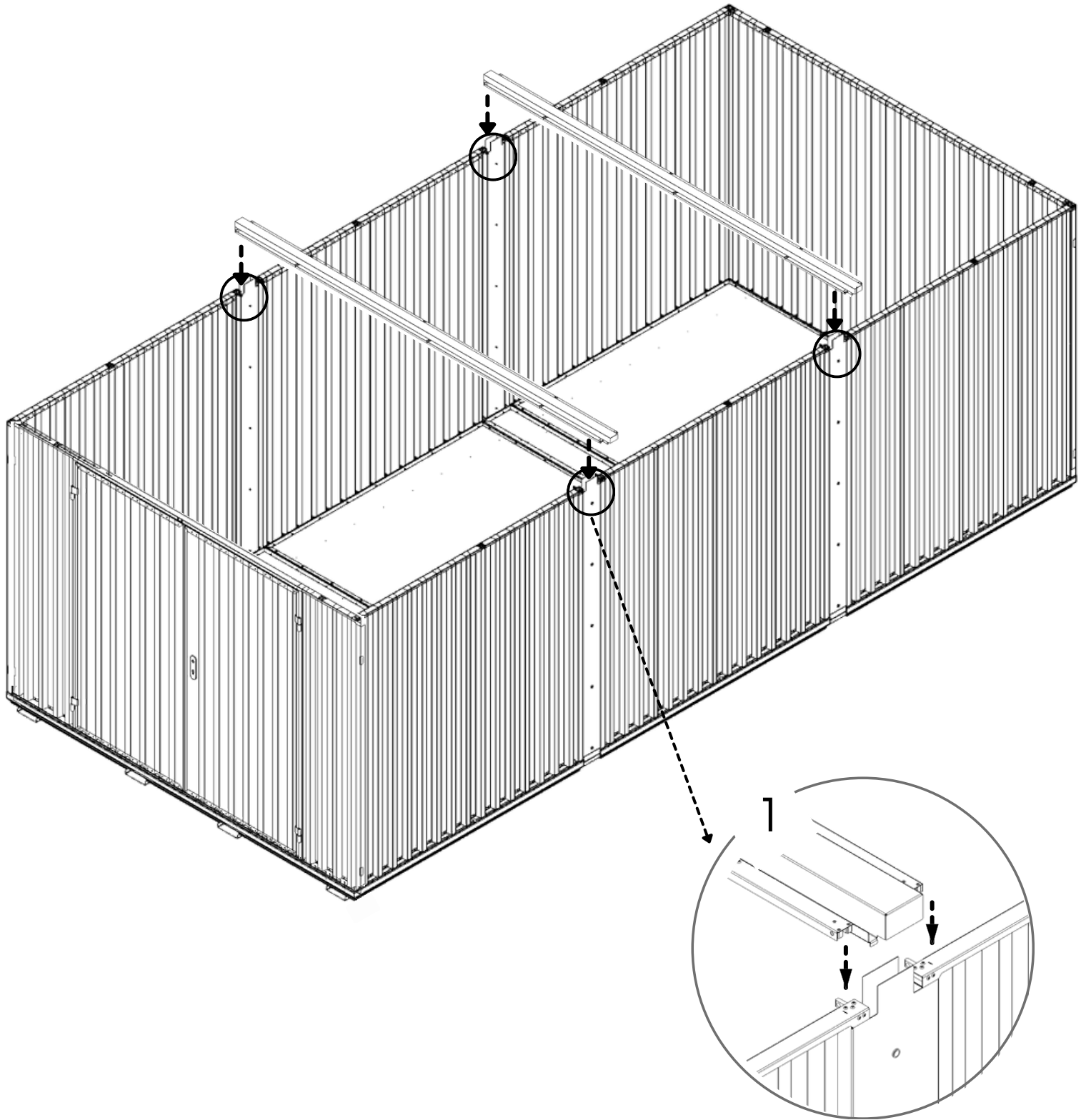
9



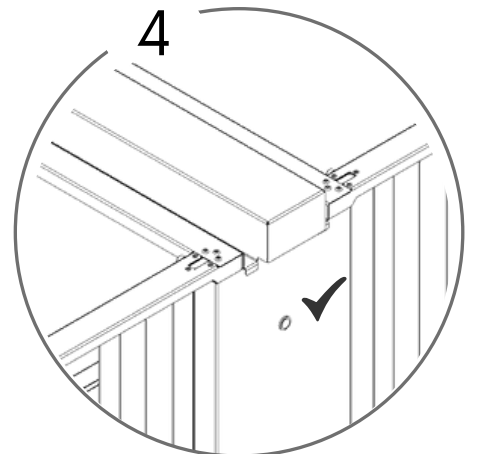
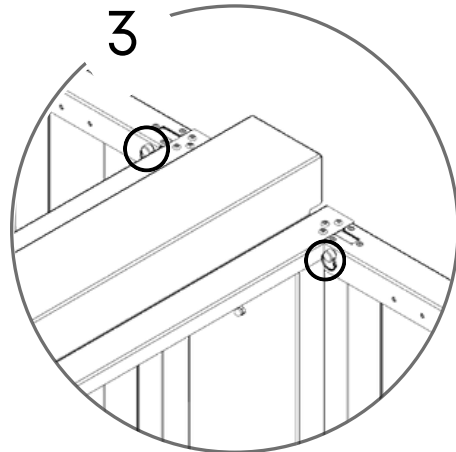
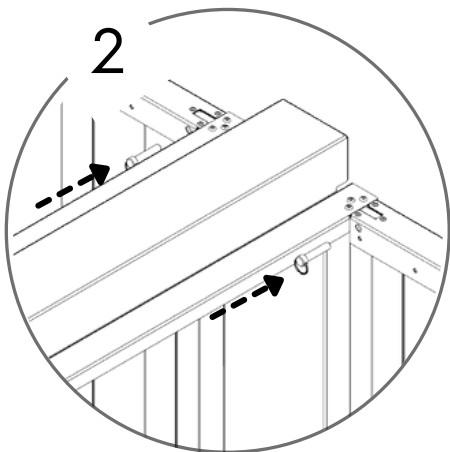
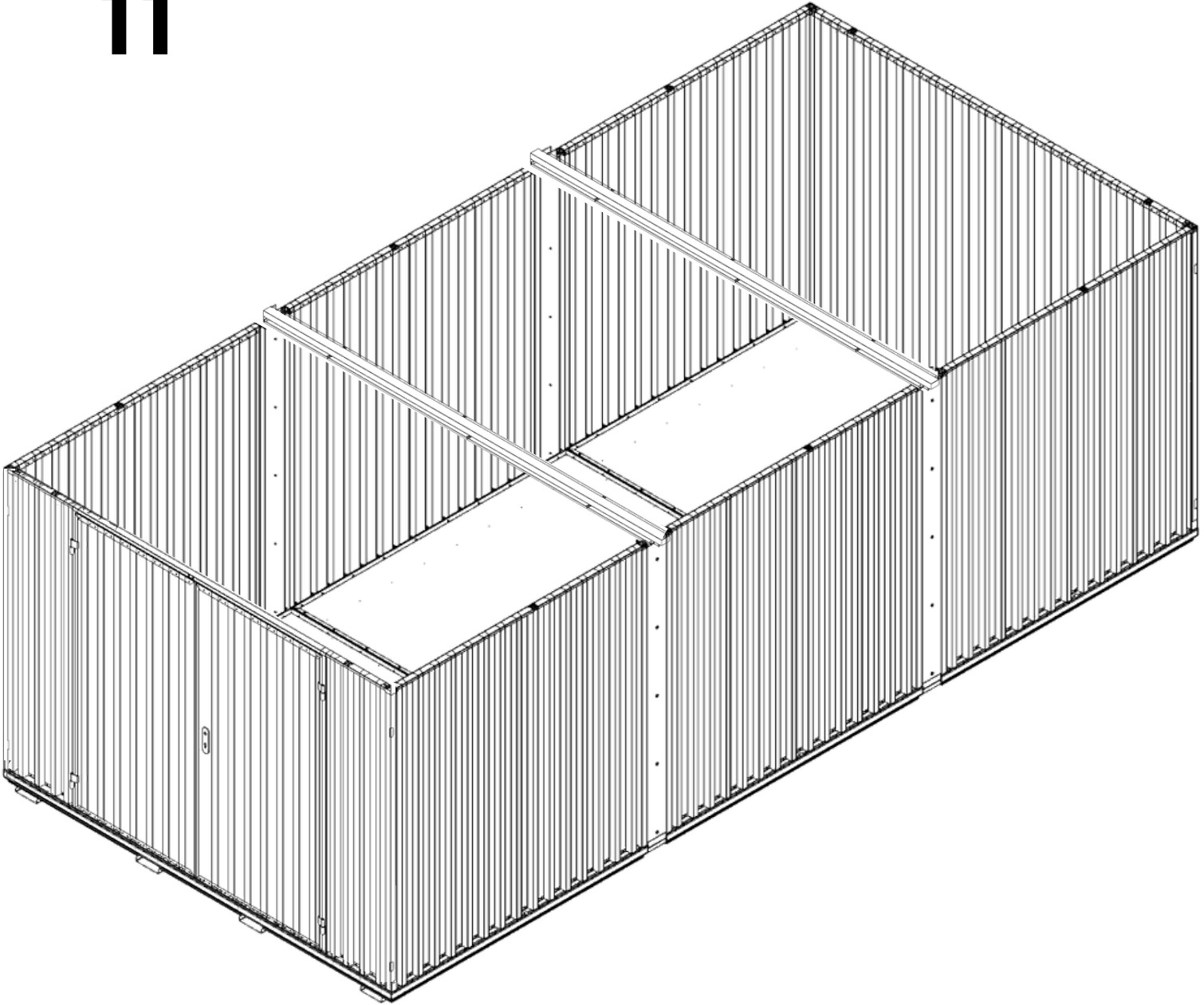
# 9.1











# 10

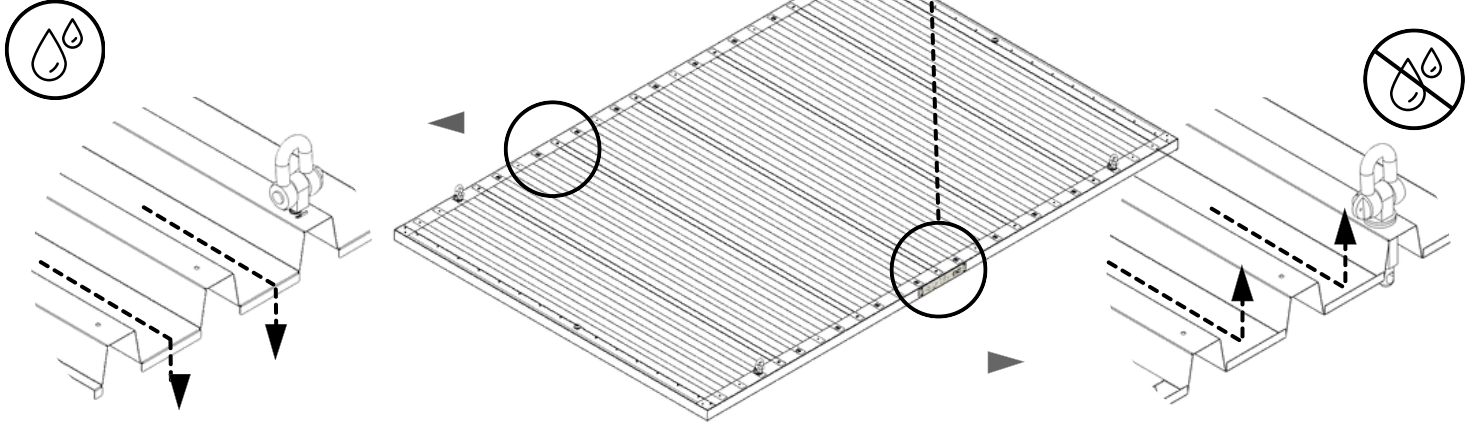


# 11

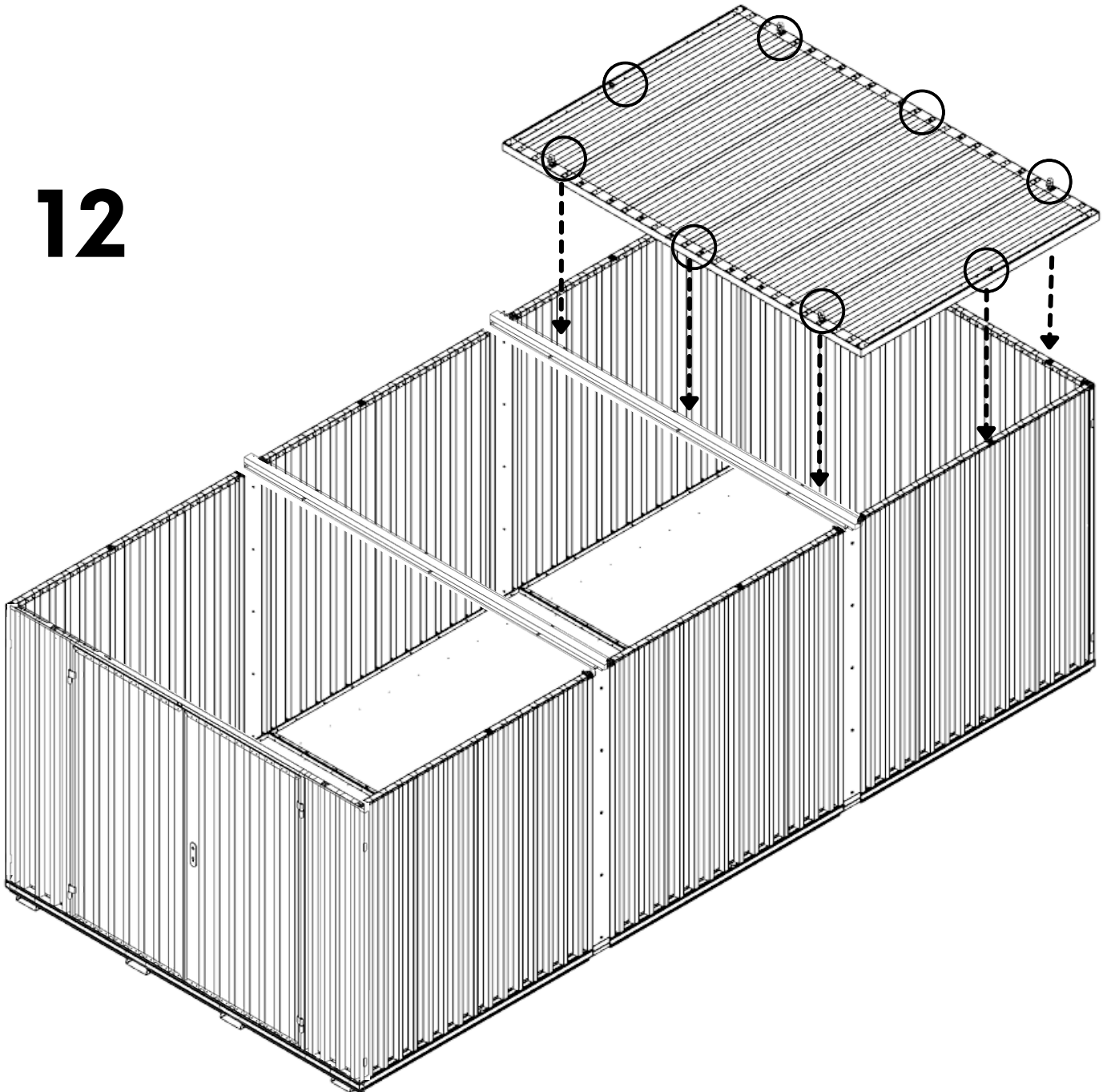




 887 KG	 1640 MM	Model Code: 3033.110.430 Production Tracking Code: ...../X09.1.3033.430	 9001	 14001	 50001			
---	--	---	---	--	--	---	---	---

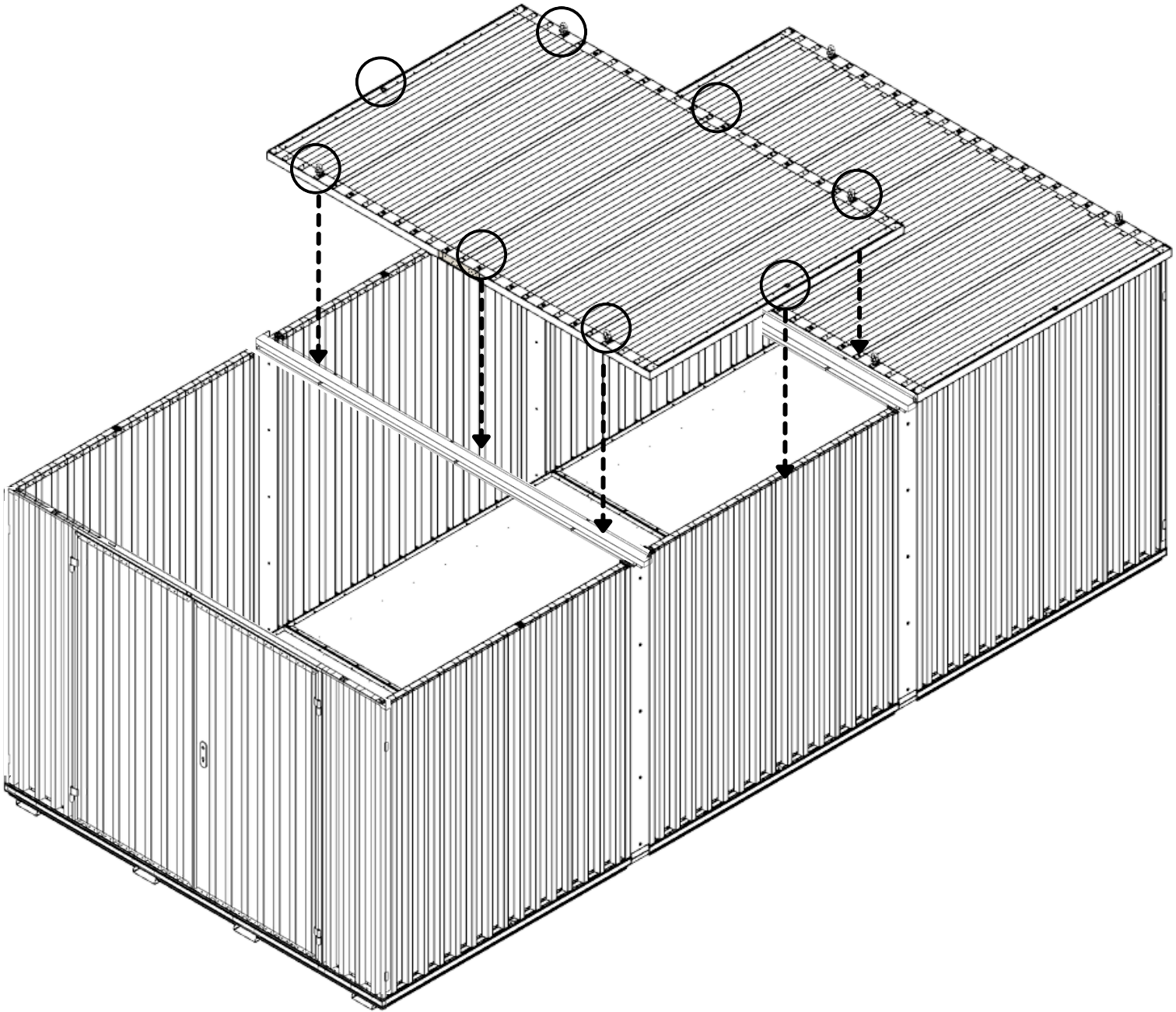


12

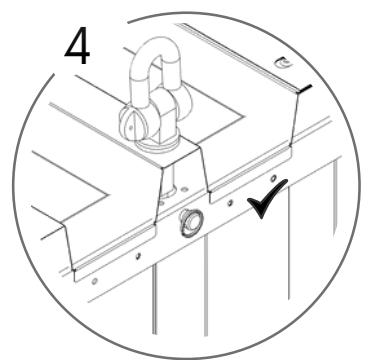
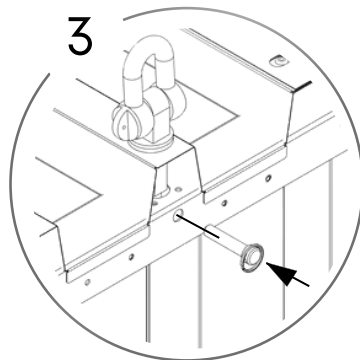
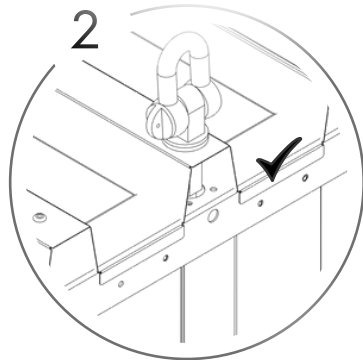
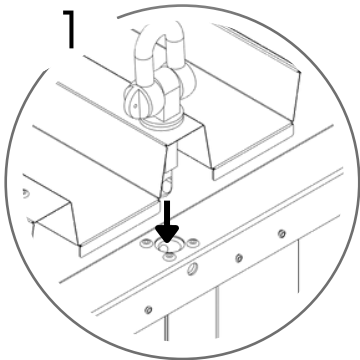
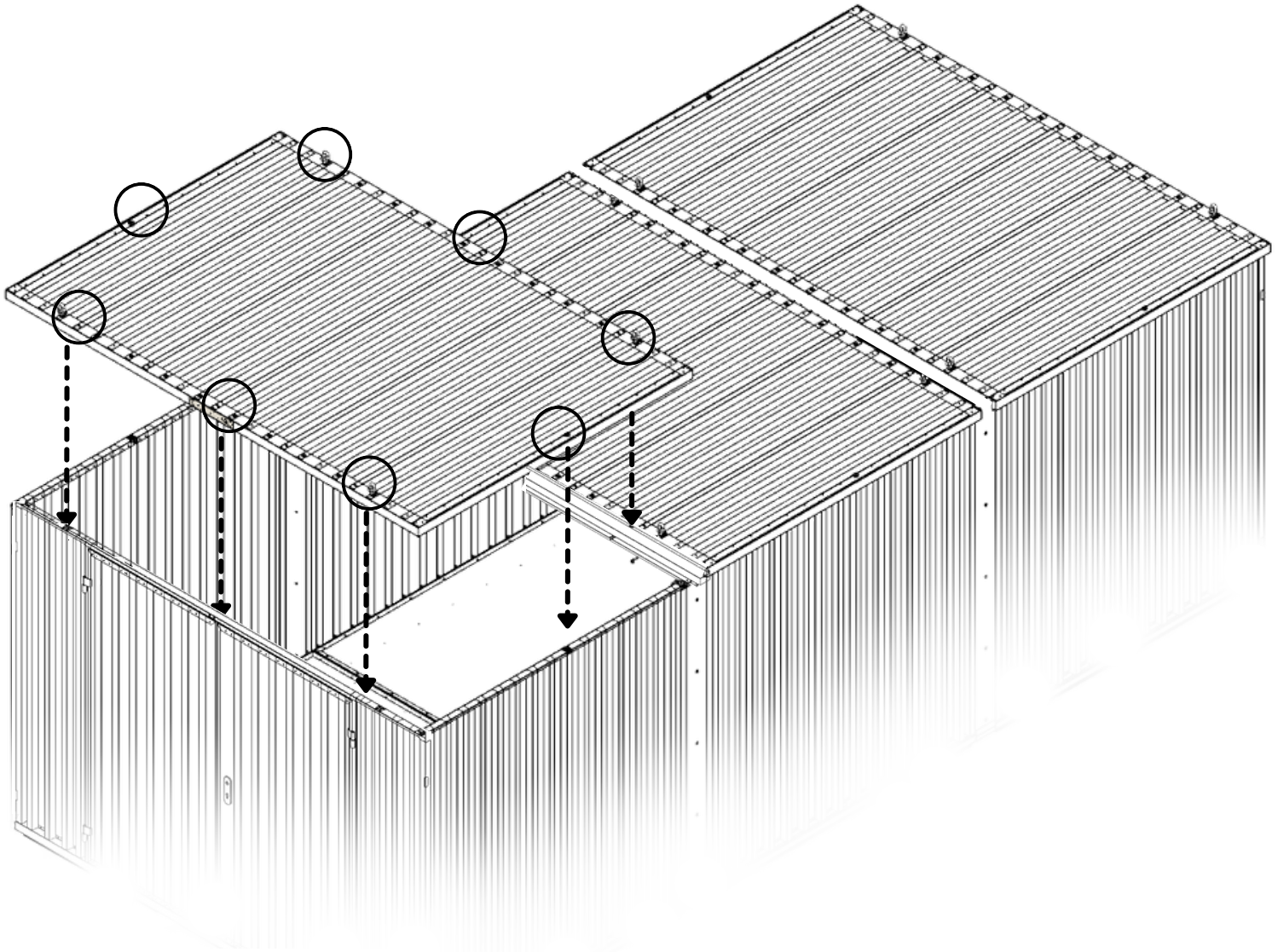




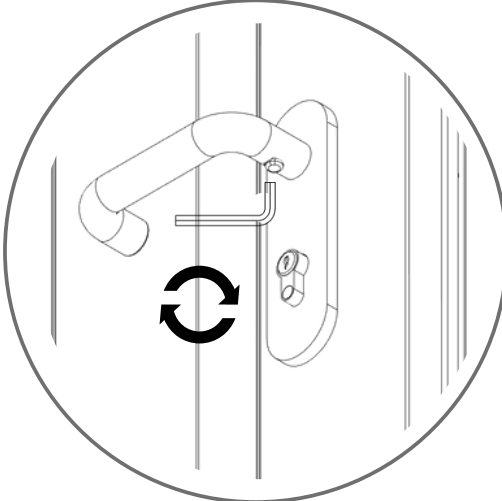
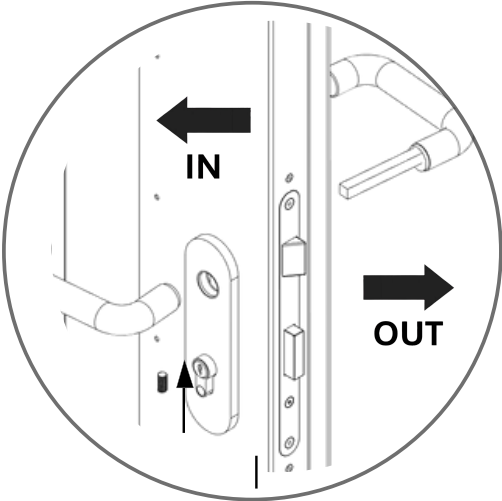
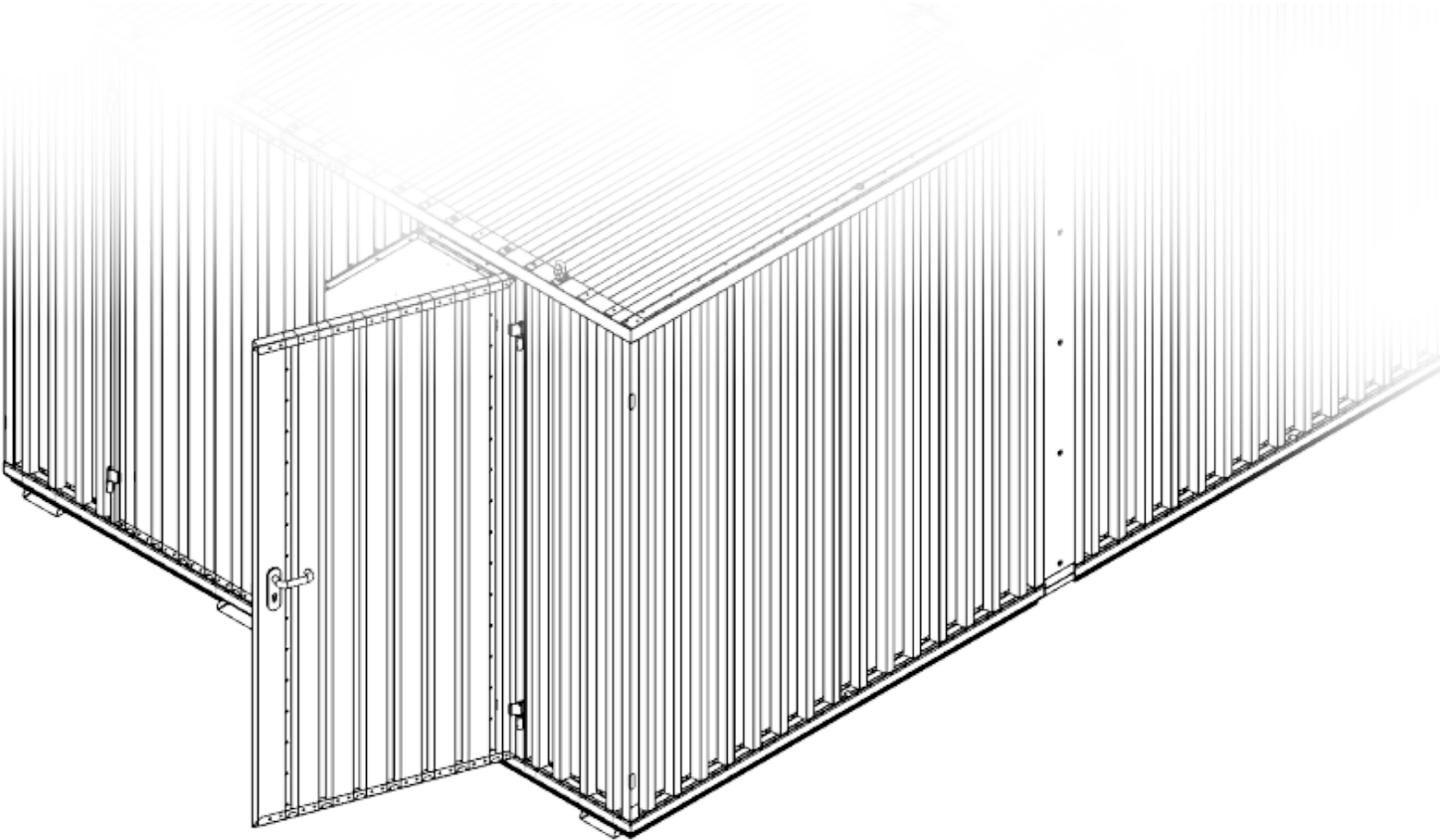
# 13



# 14



# 15



16

