





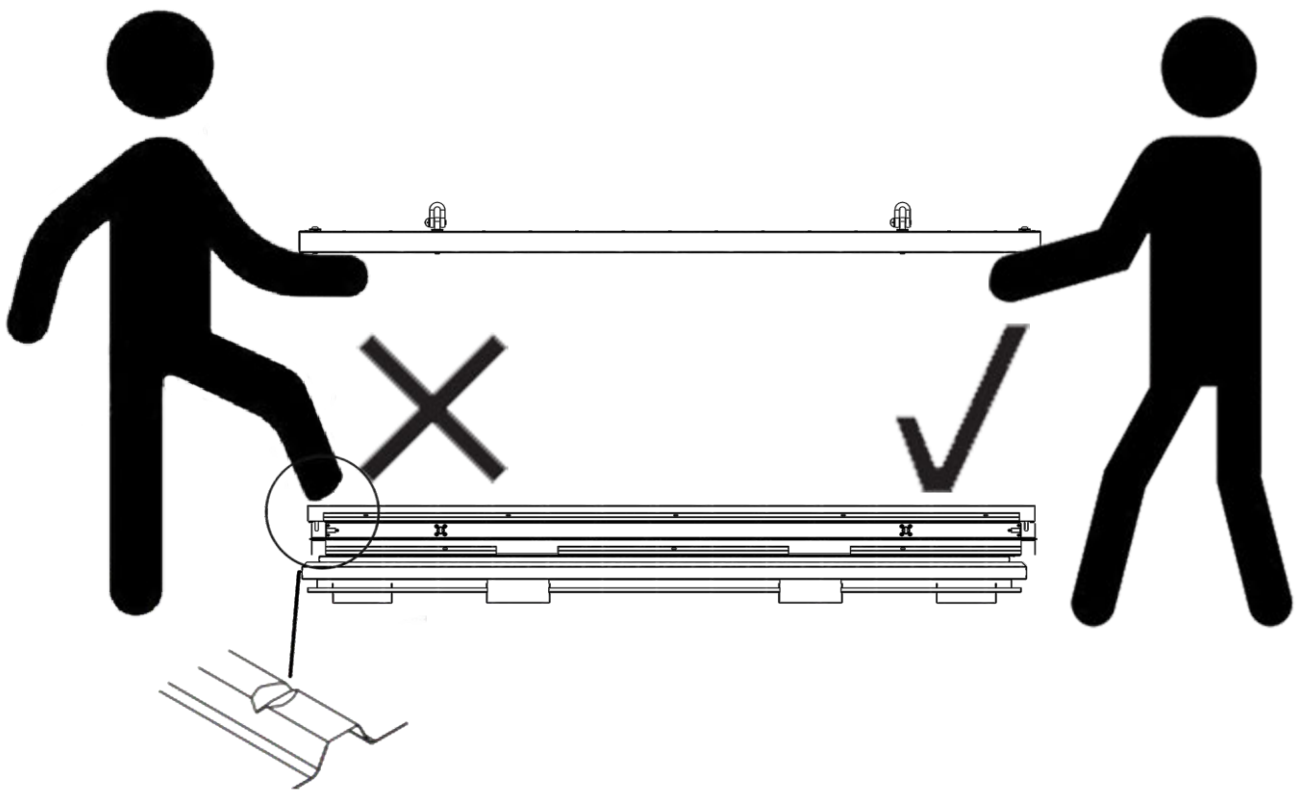
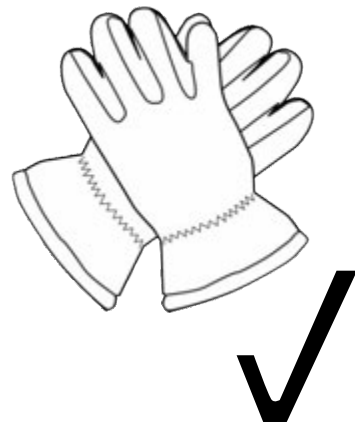


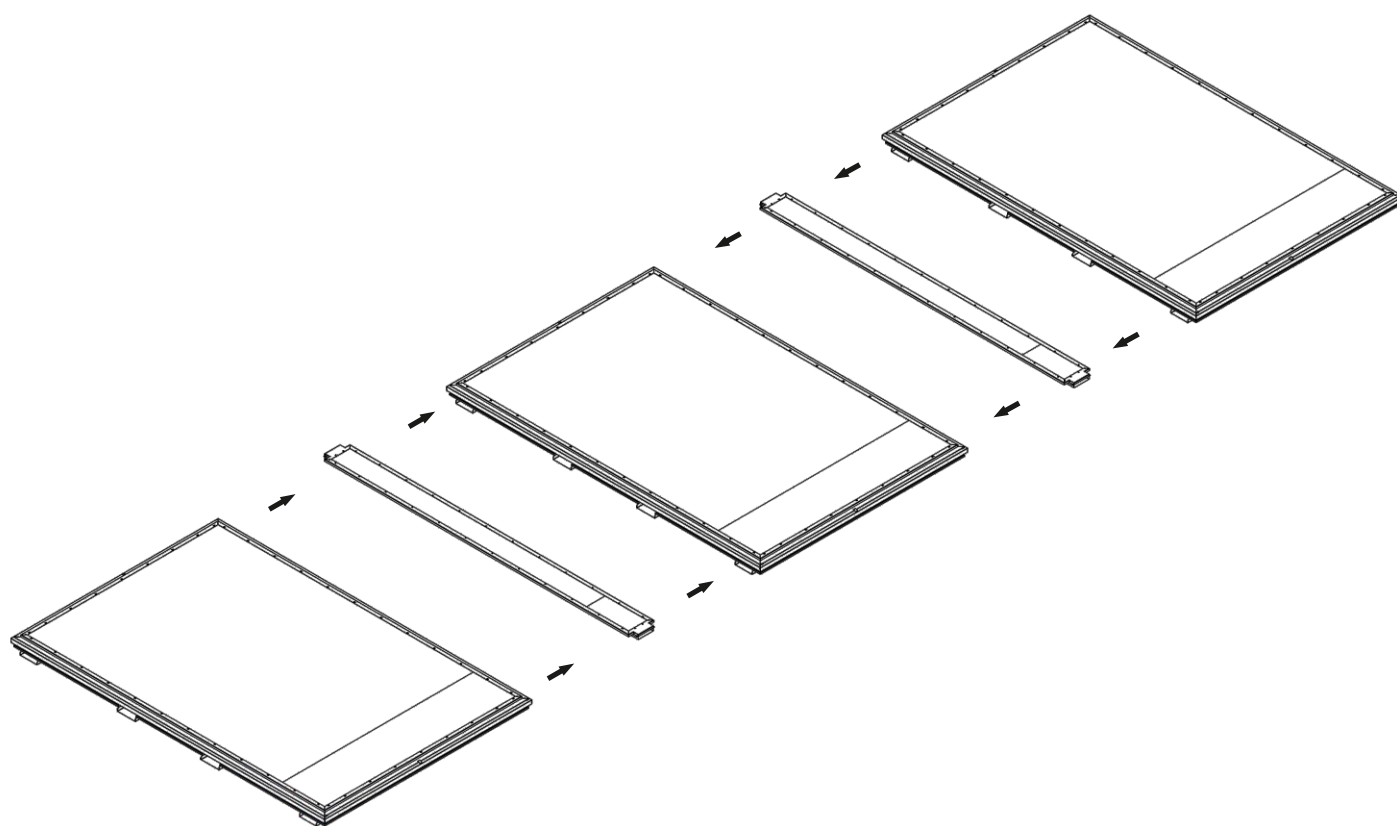
# PRODUCT CODE :3033.110.420.421



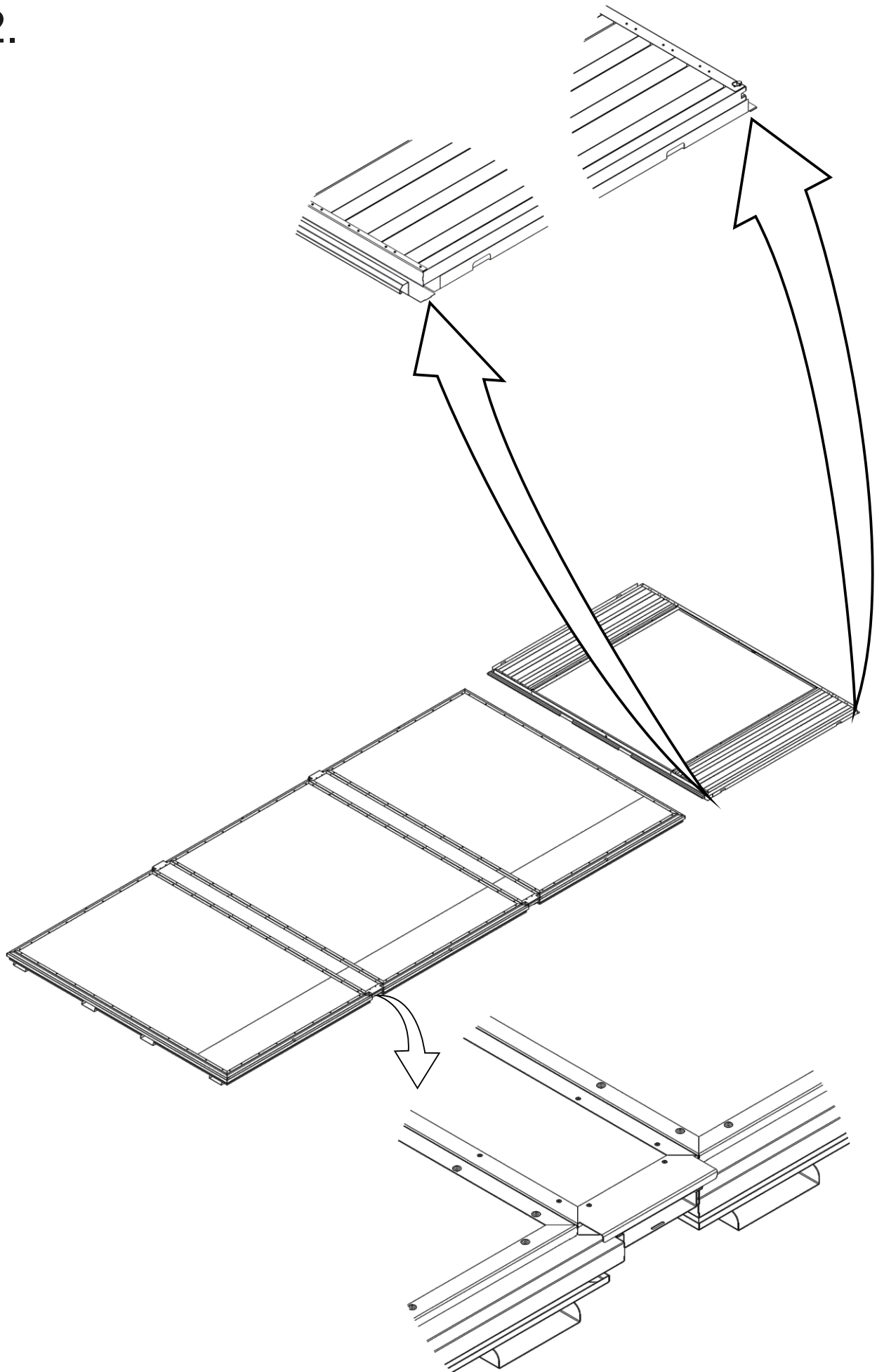
	30 pcs.
	2 pcs.
	2 pcs.
	20 pcs.
	20 pcs.
	20 pcs.



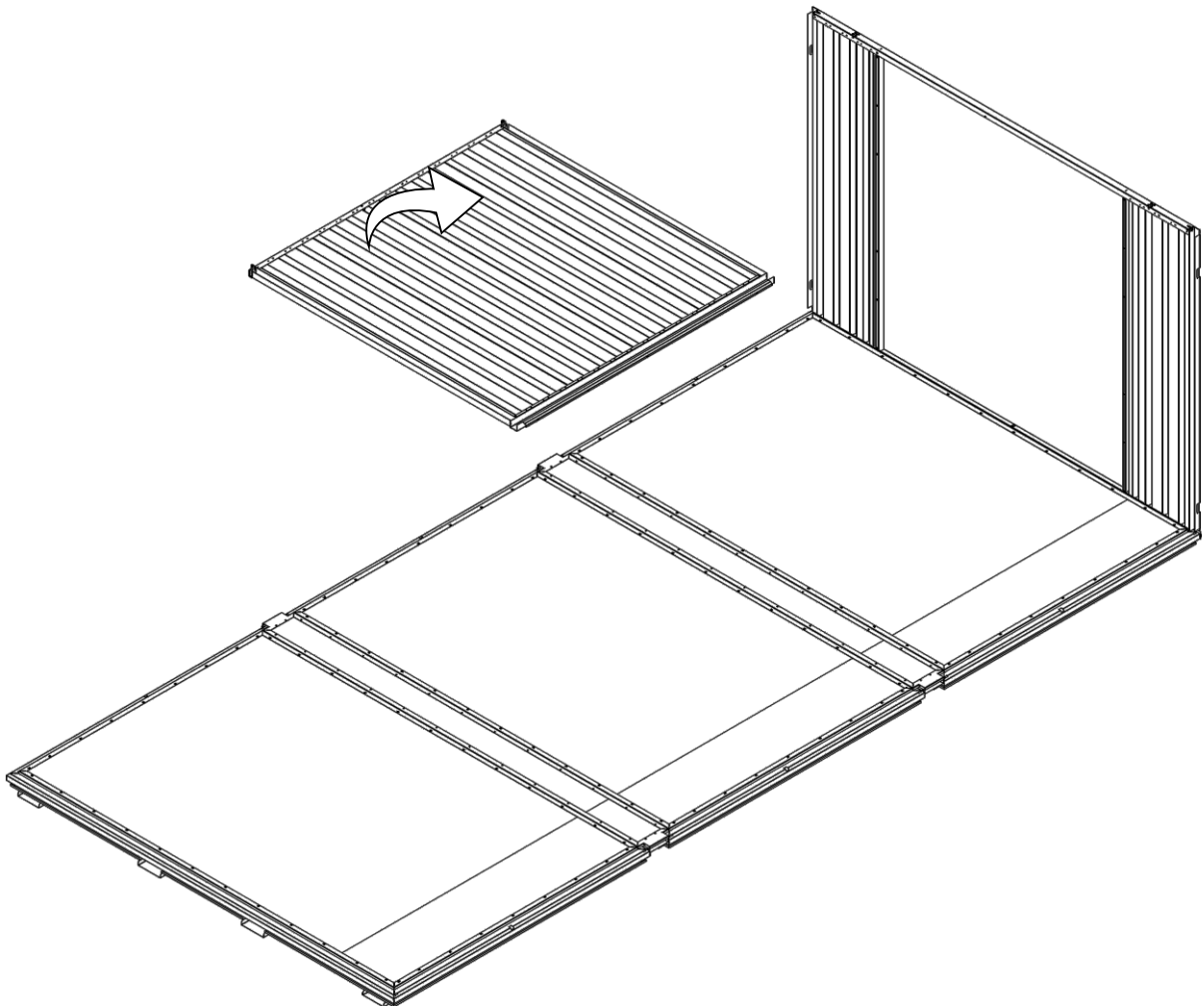
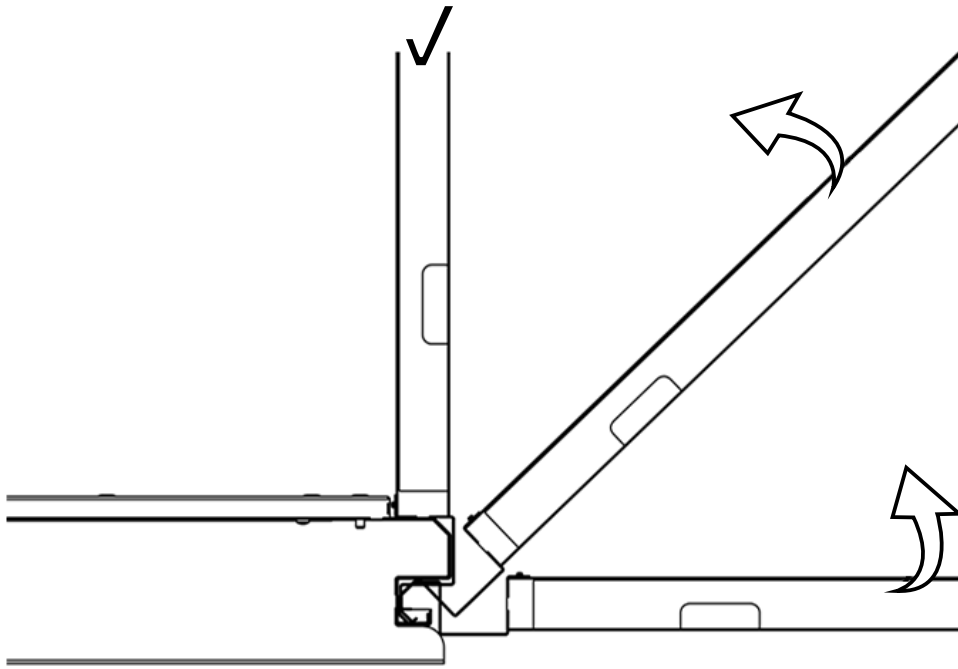
1.1.



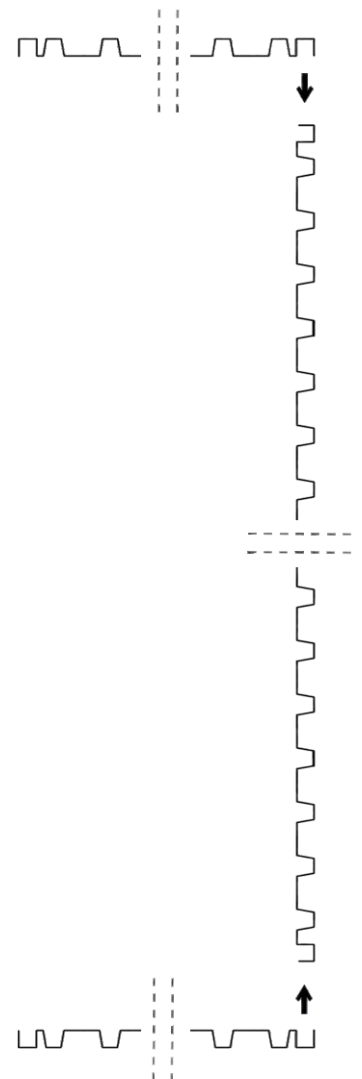
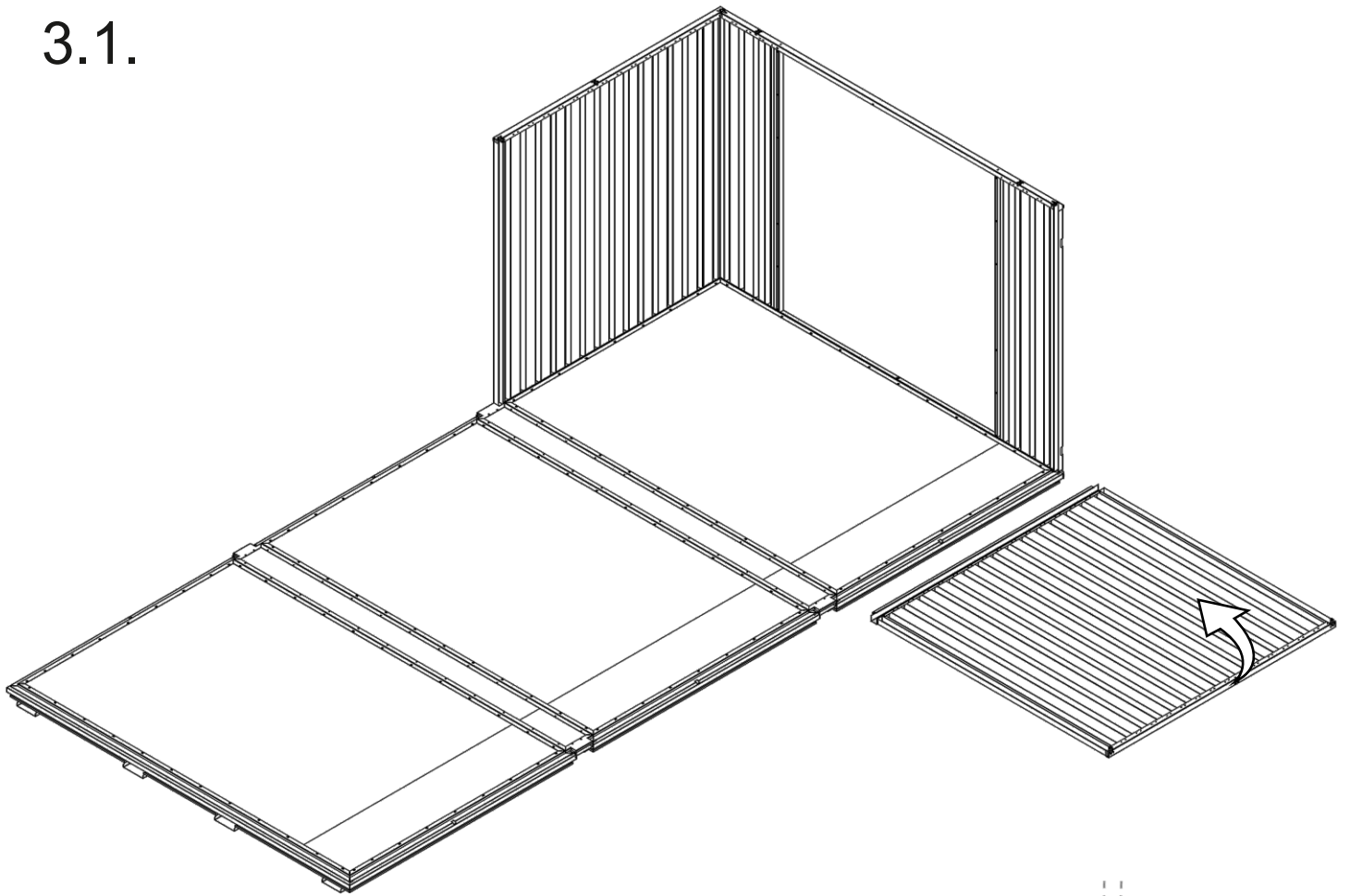
1.2.

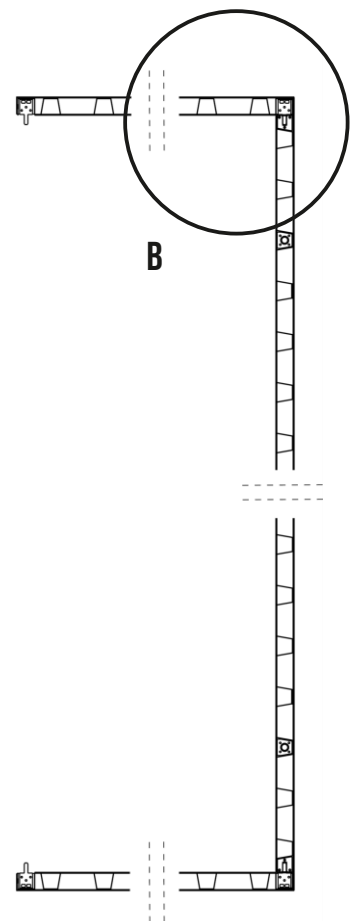
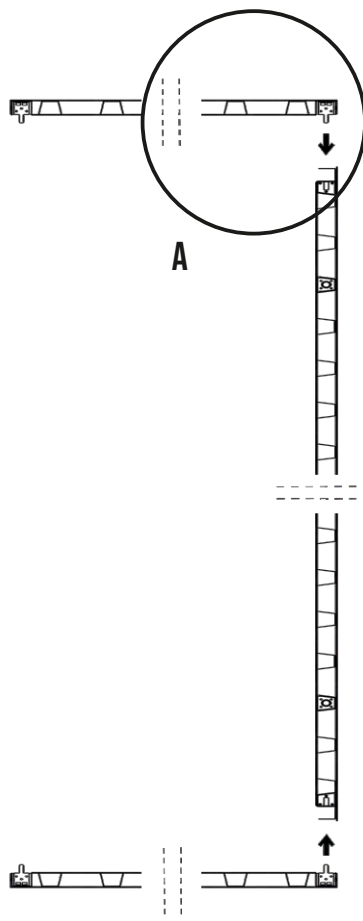
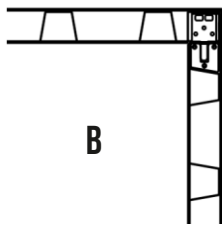
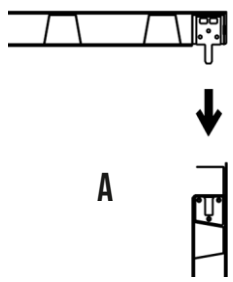


2.1.

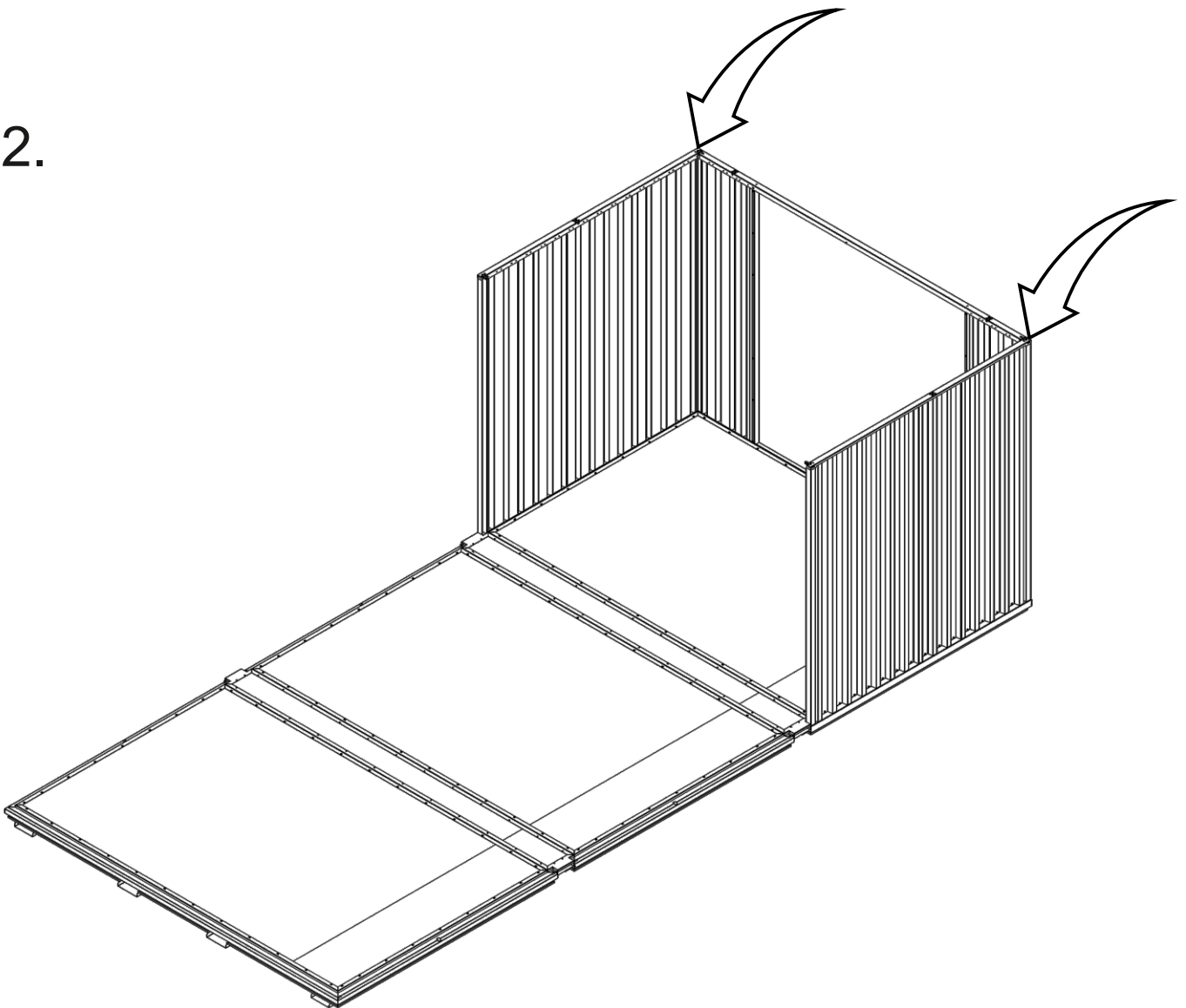


3.1.

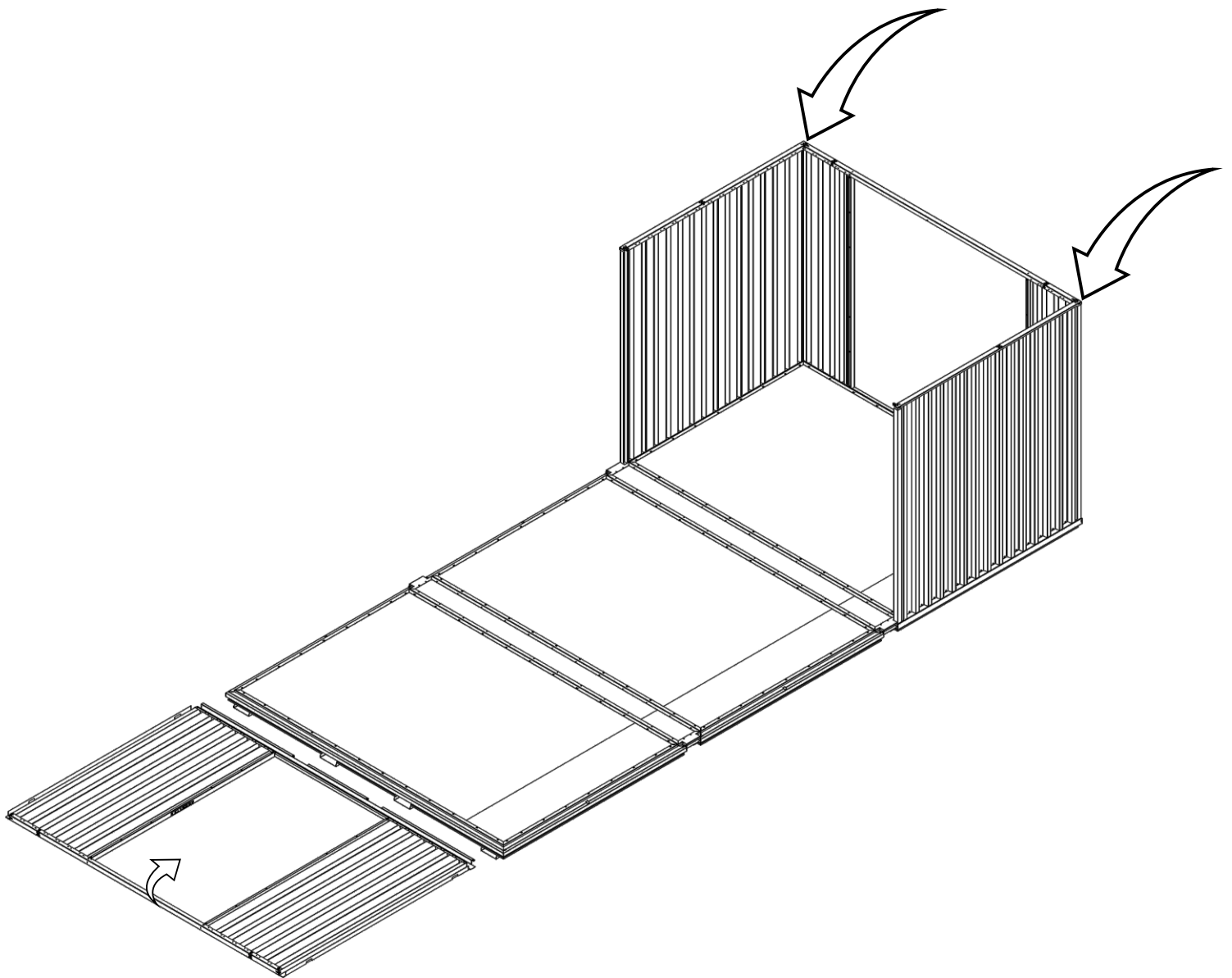
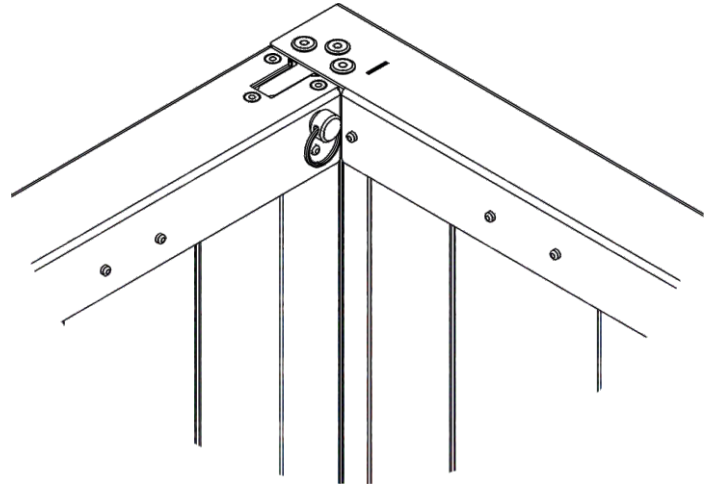
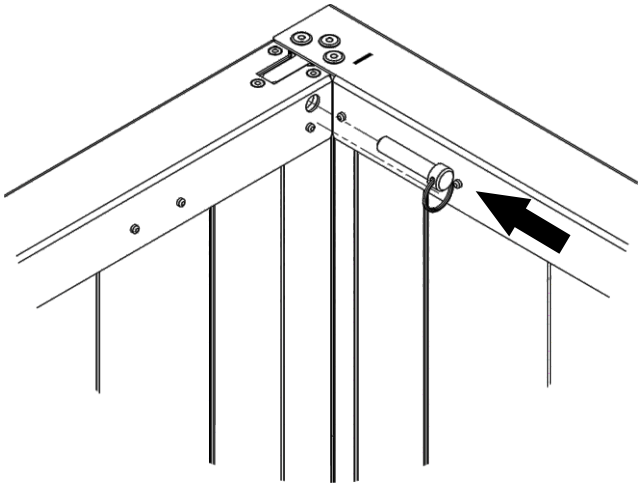




3.2.

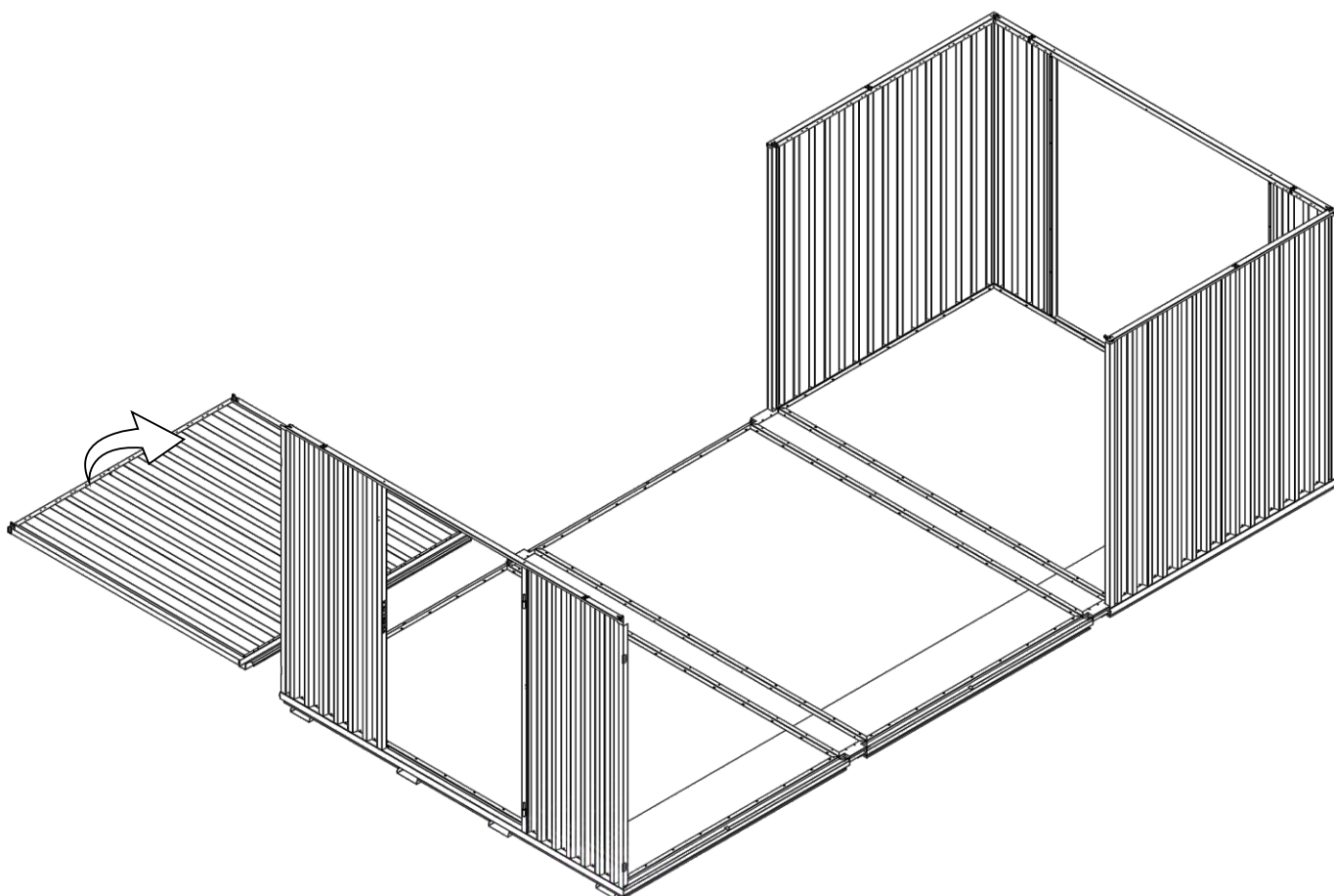
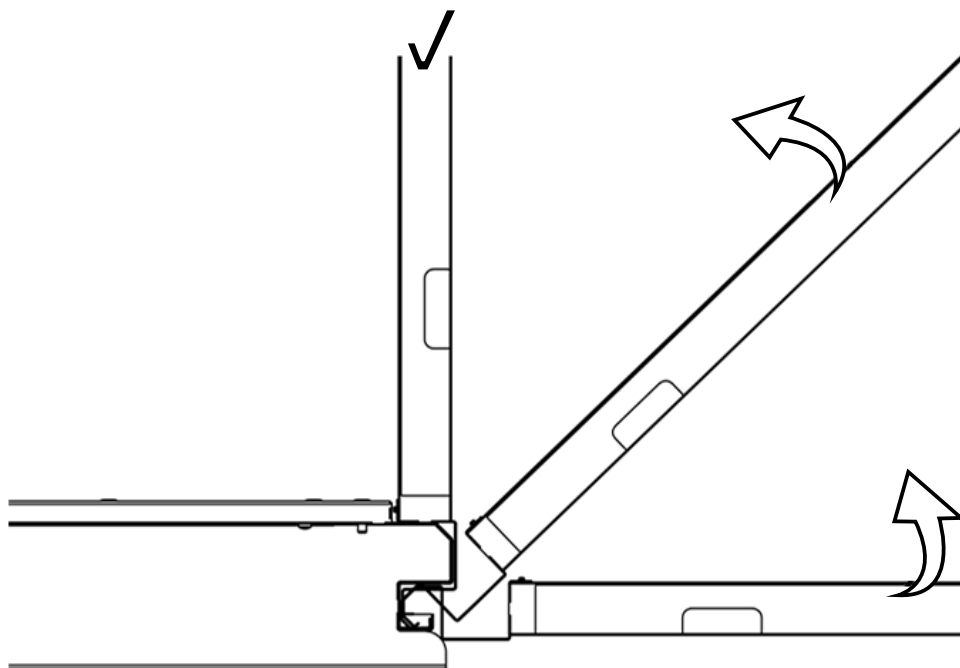


3.3.

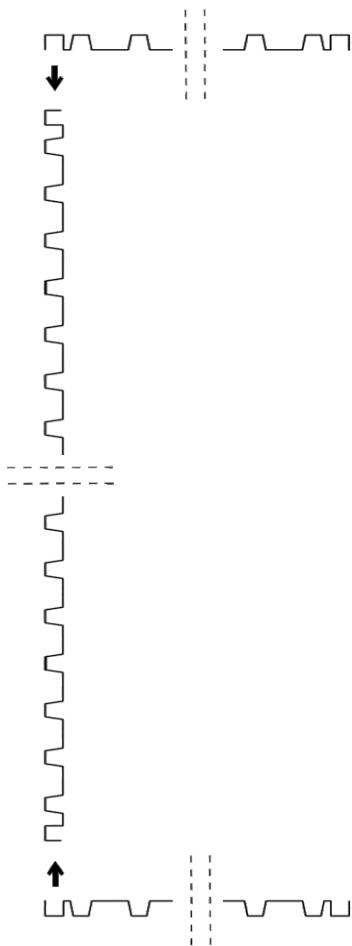
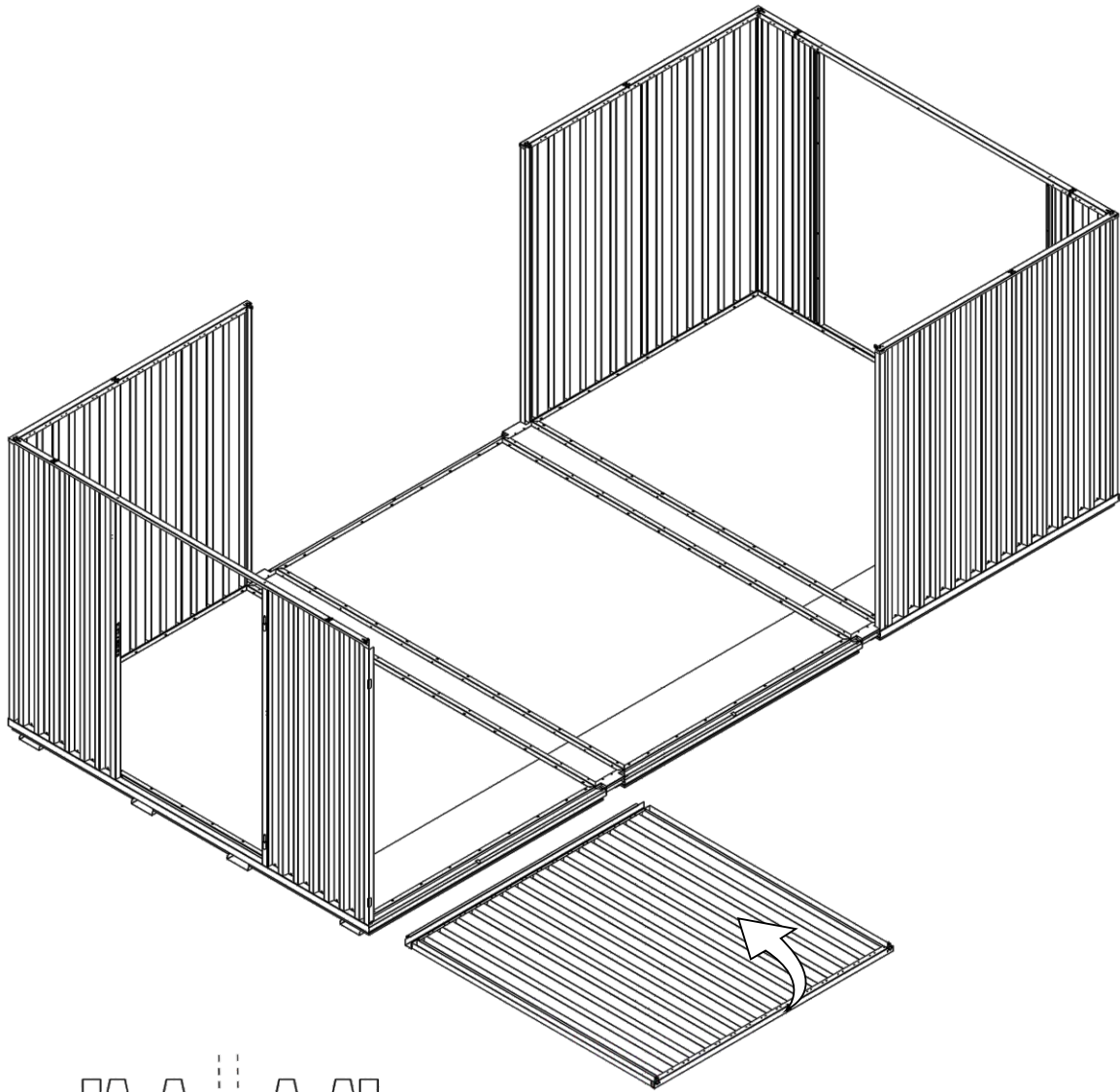


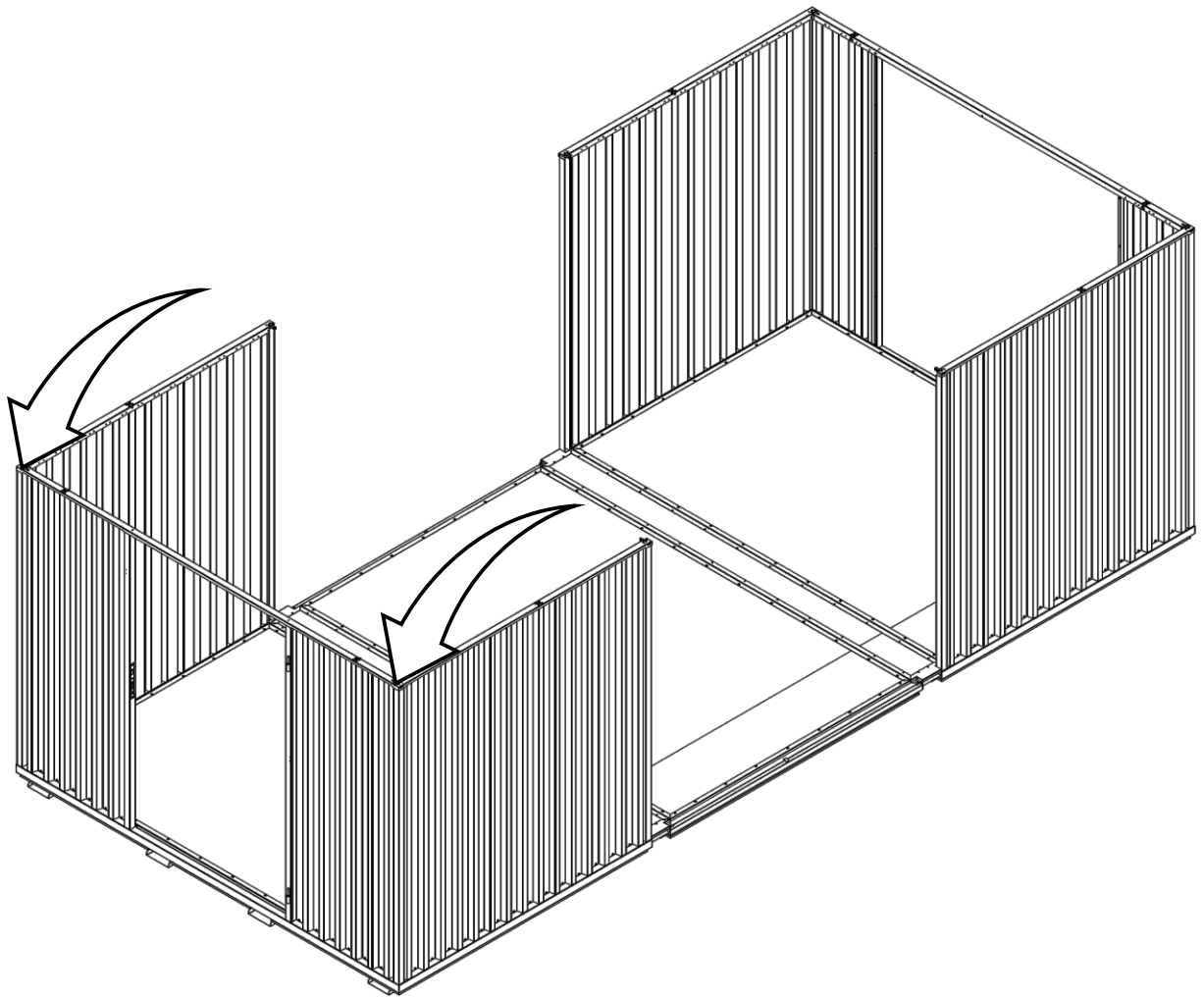
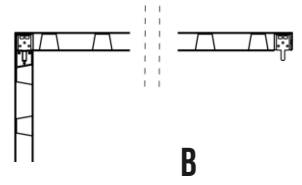
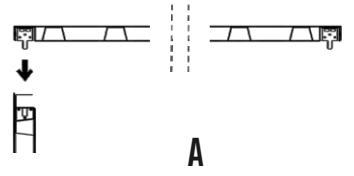
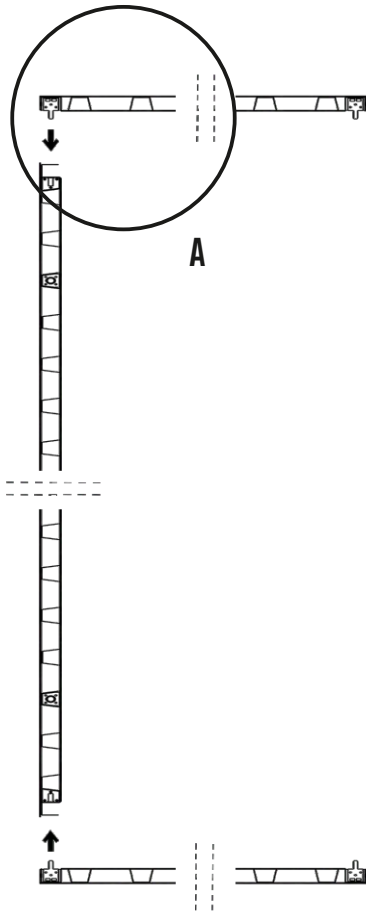
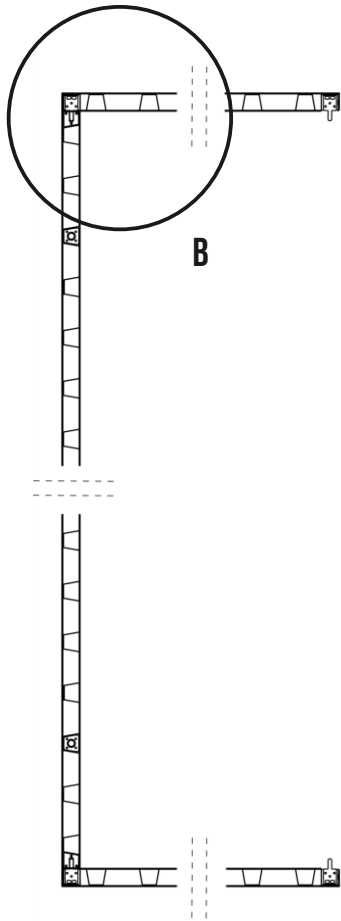


4.1.

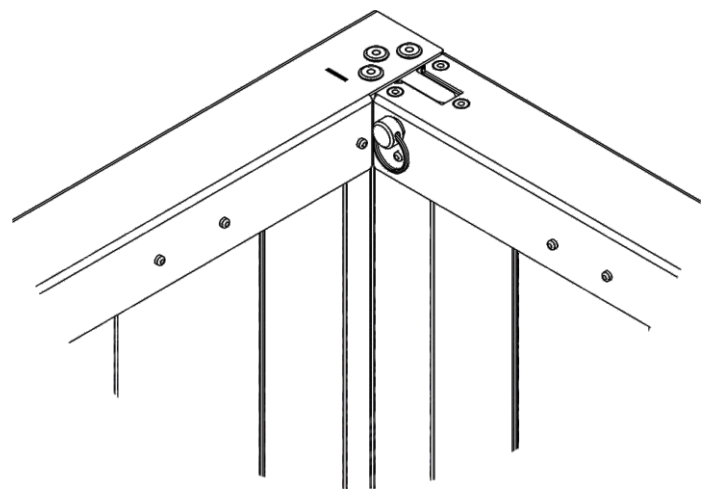
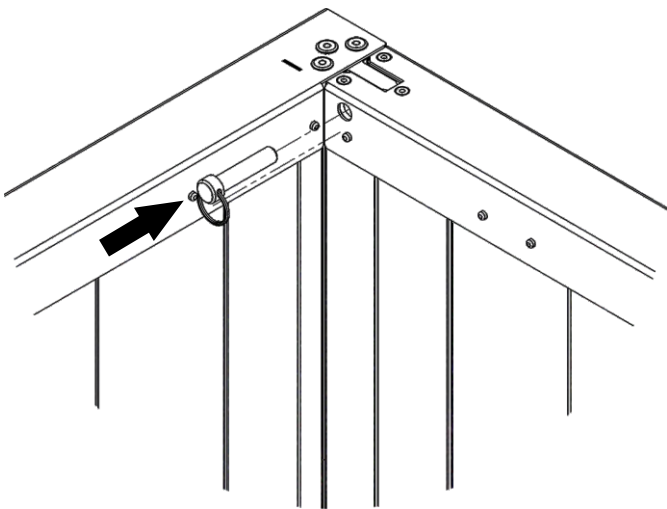
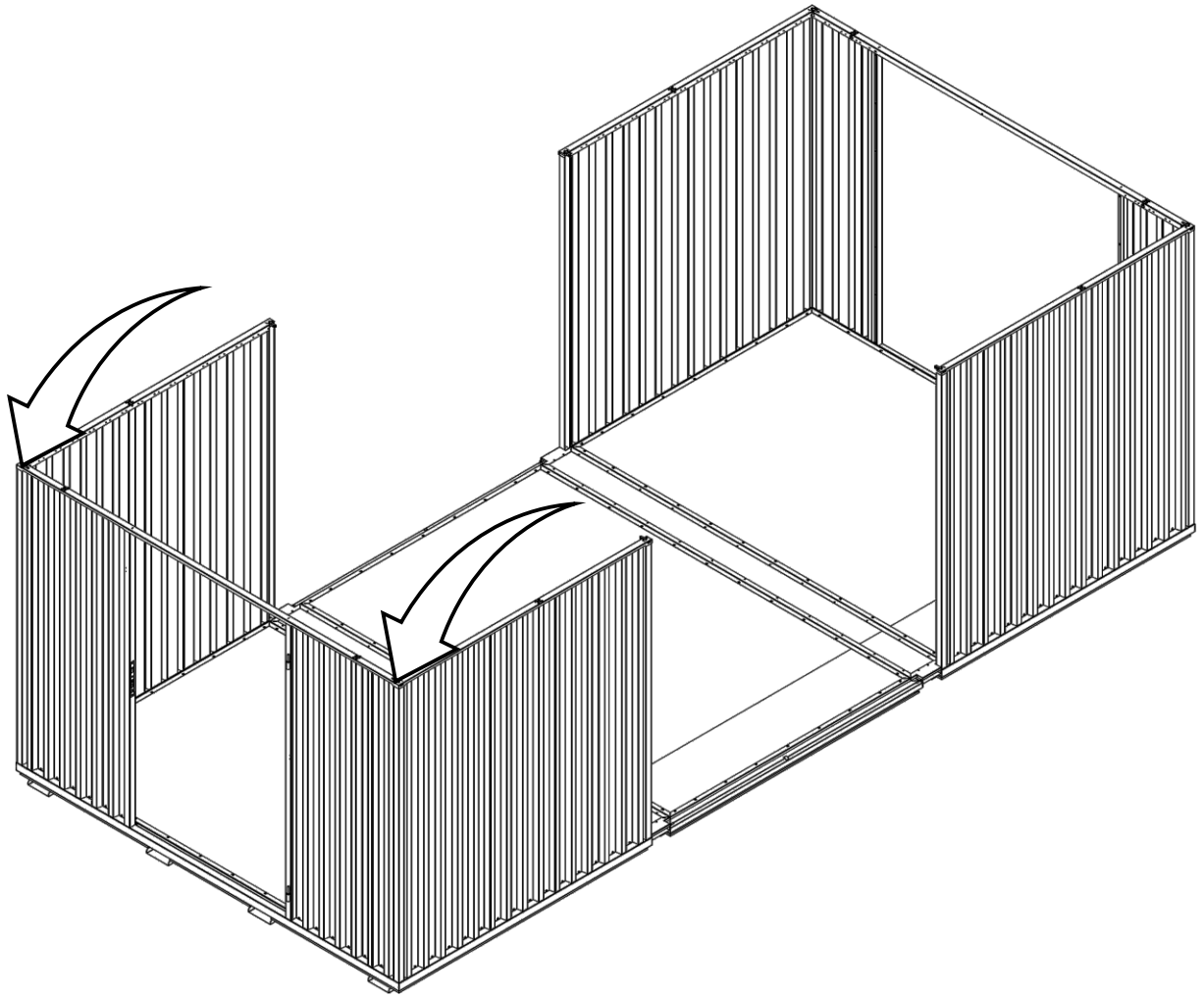


5.1.

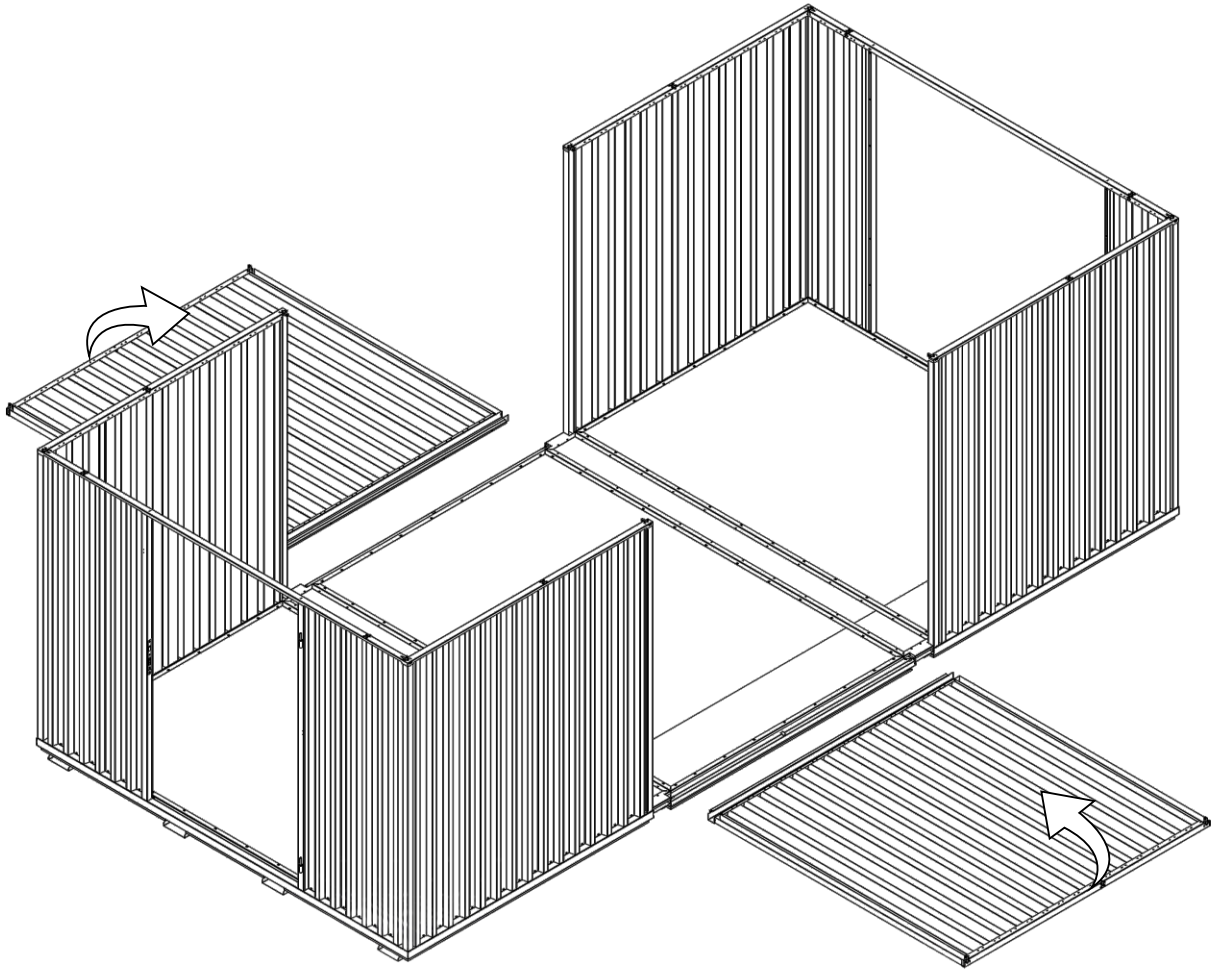




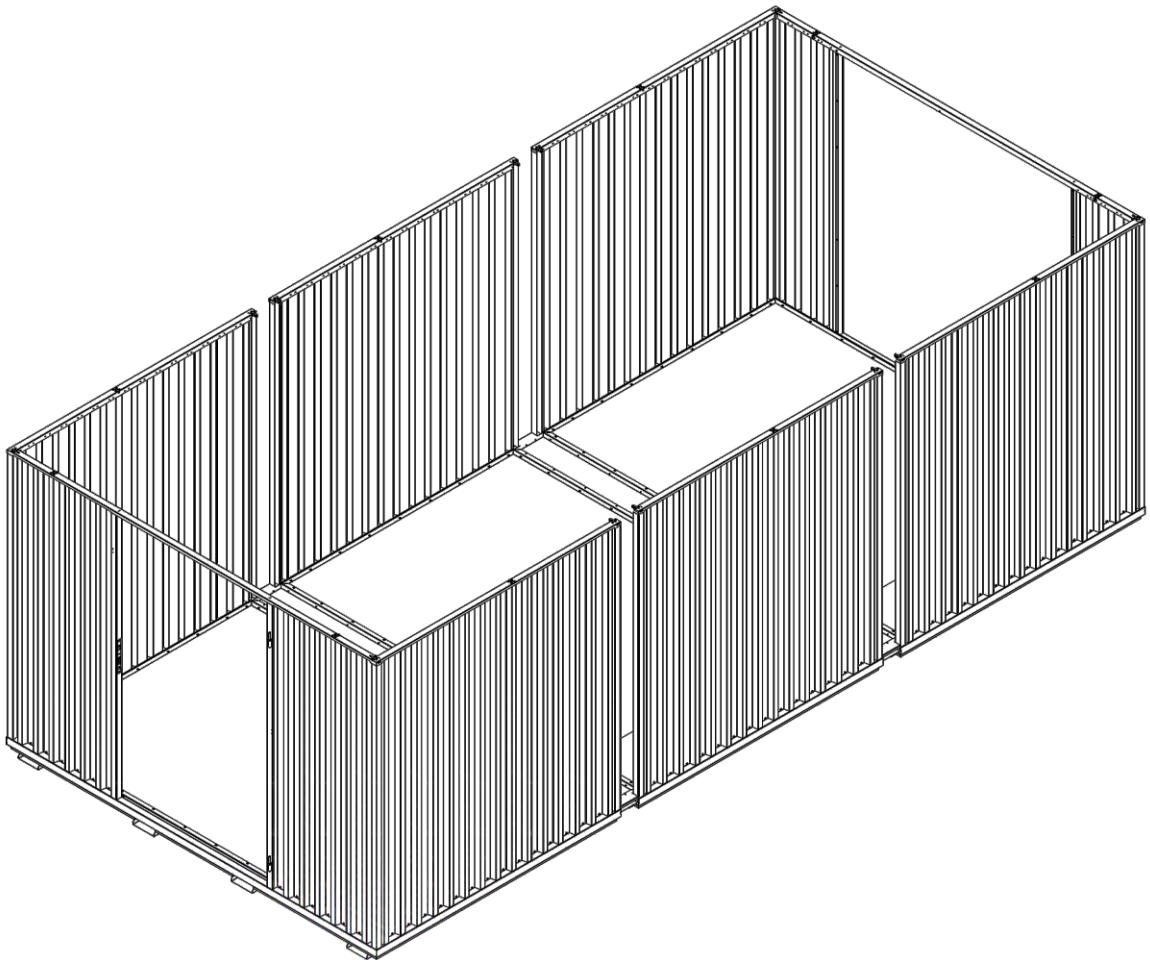
5.2.



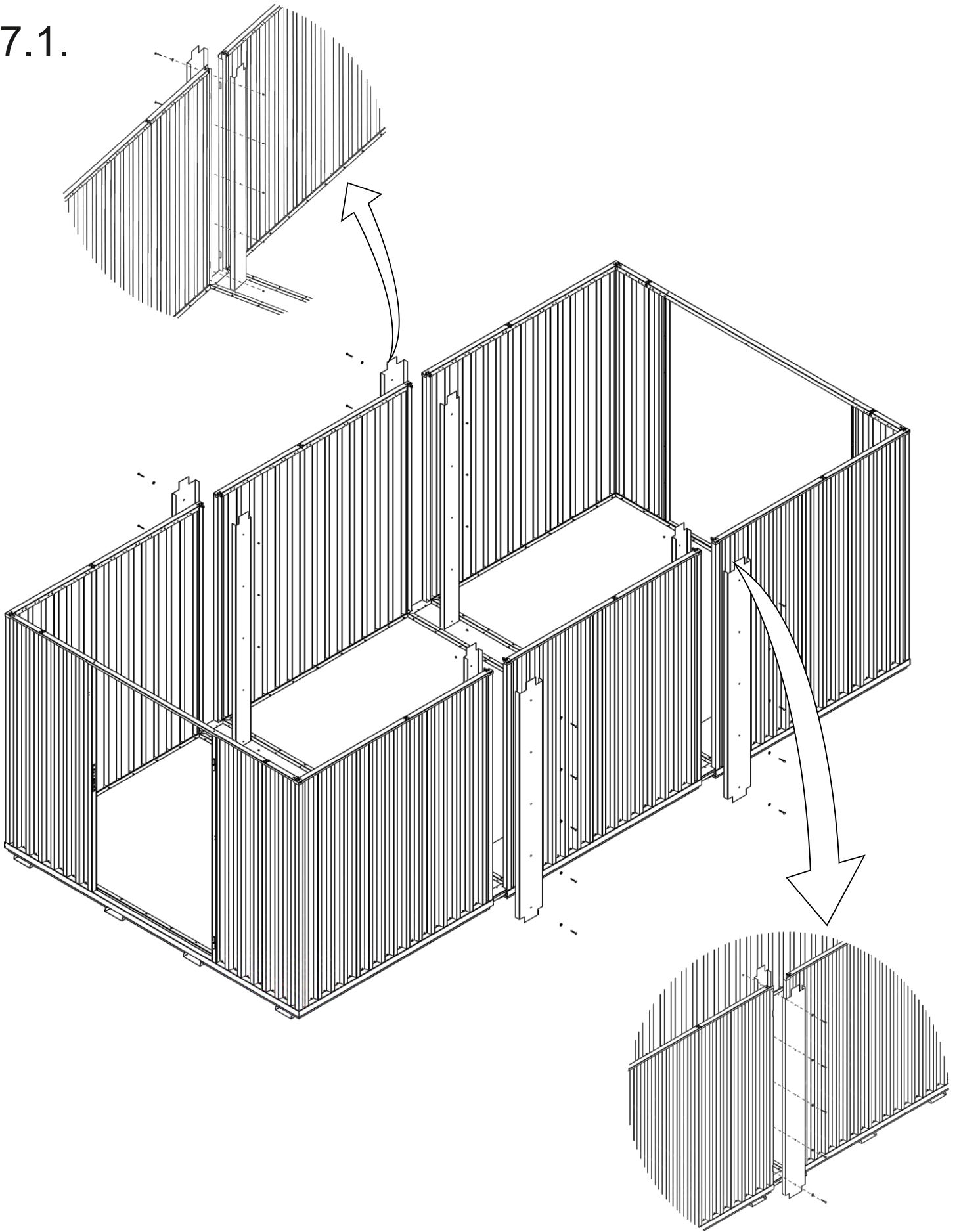
6.1.



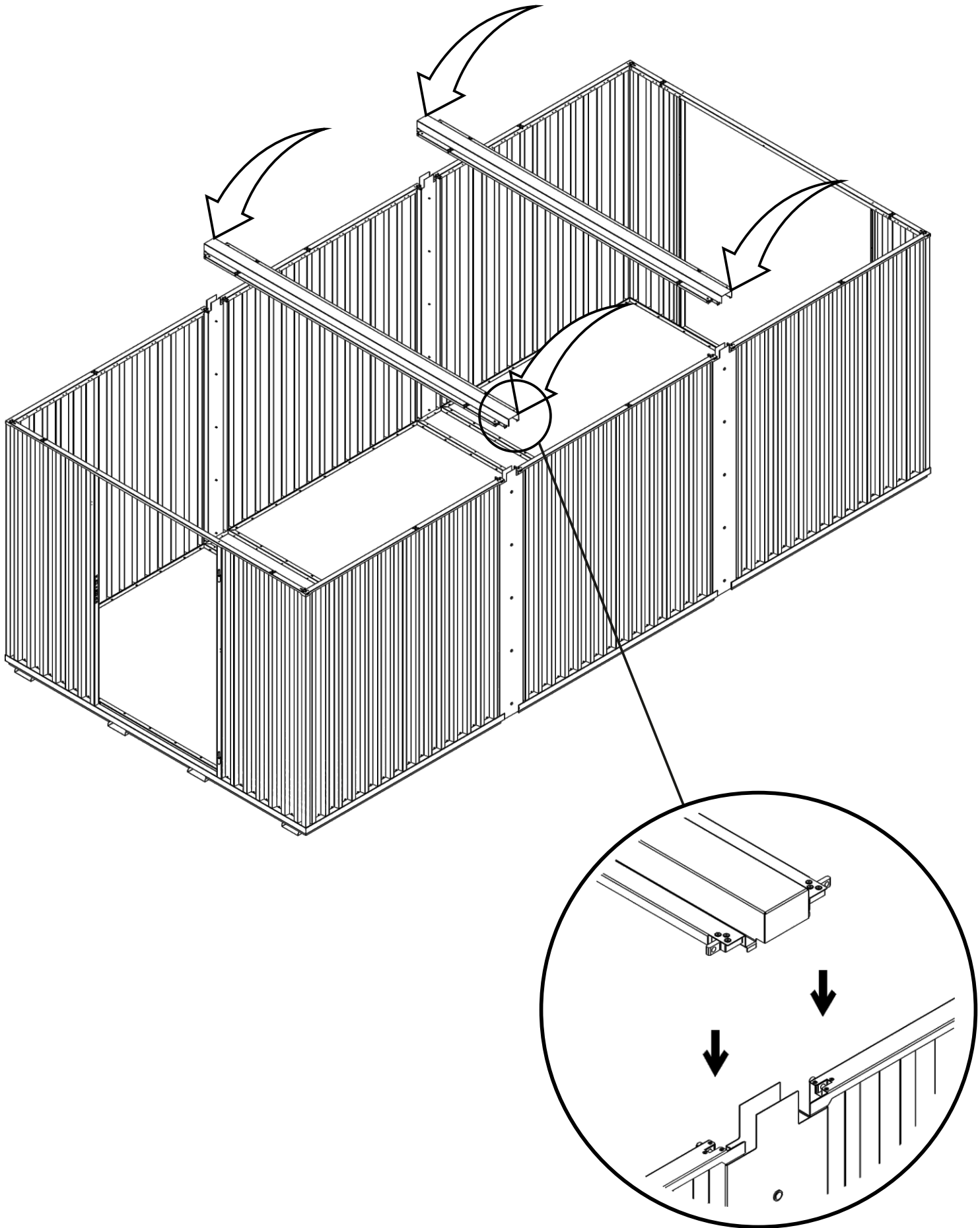
6.2.



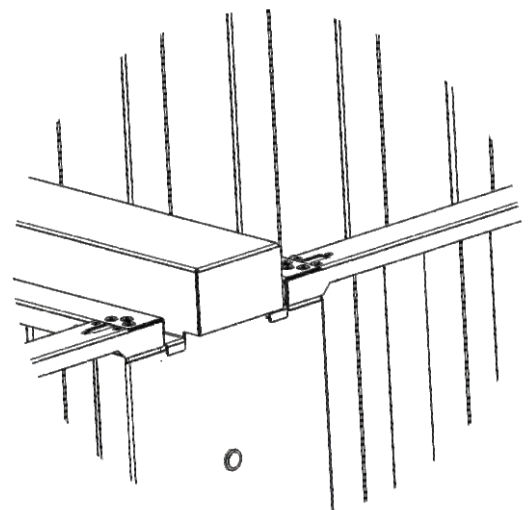
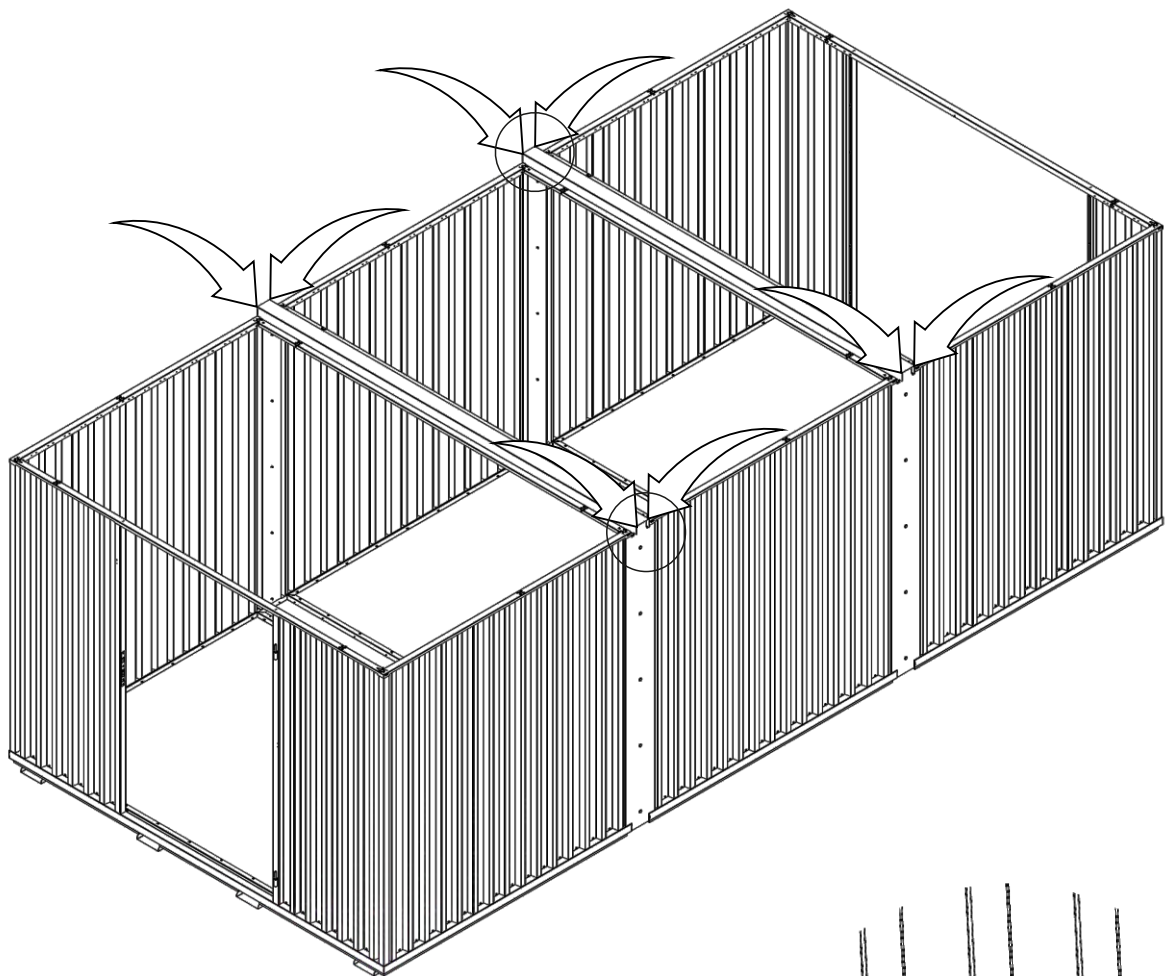
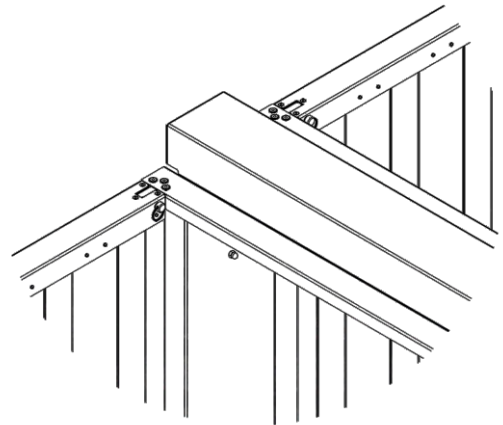
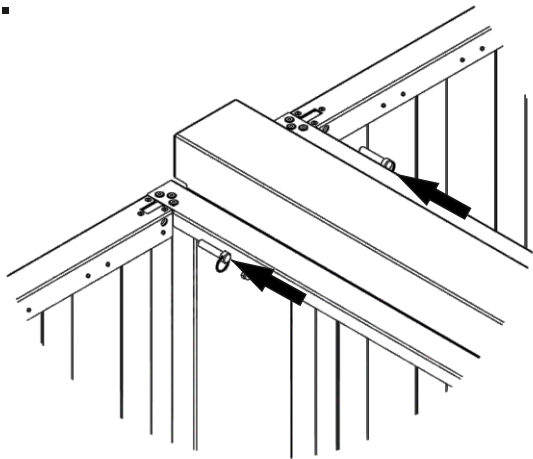
7.1.



8.1.









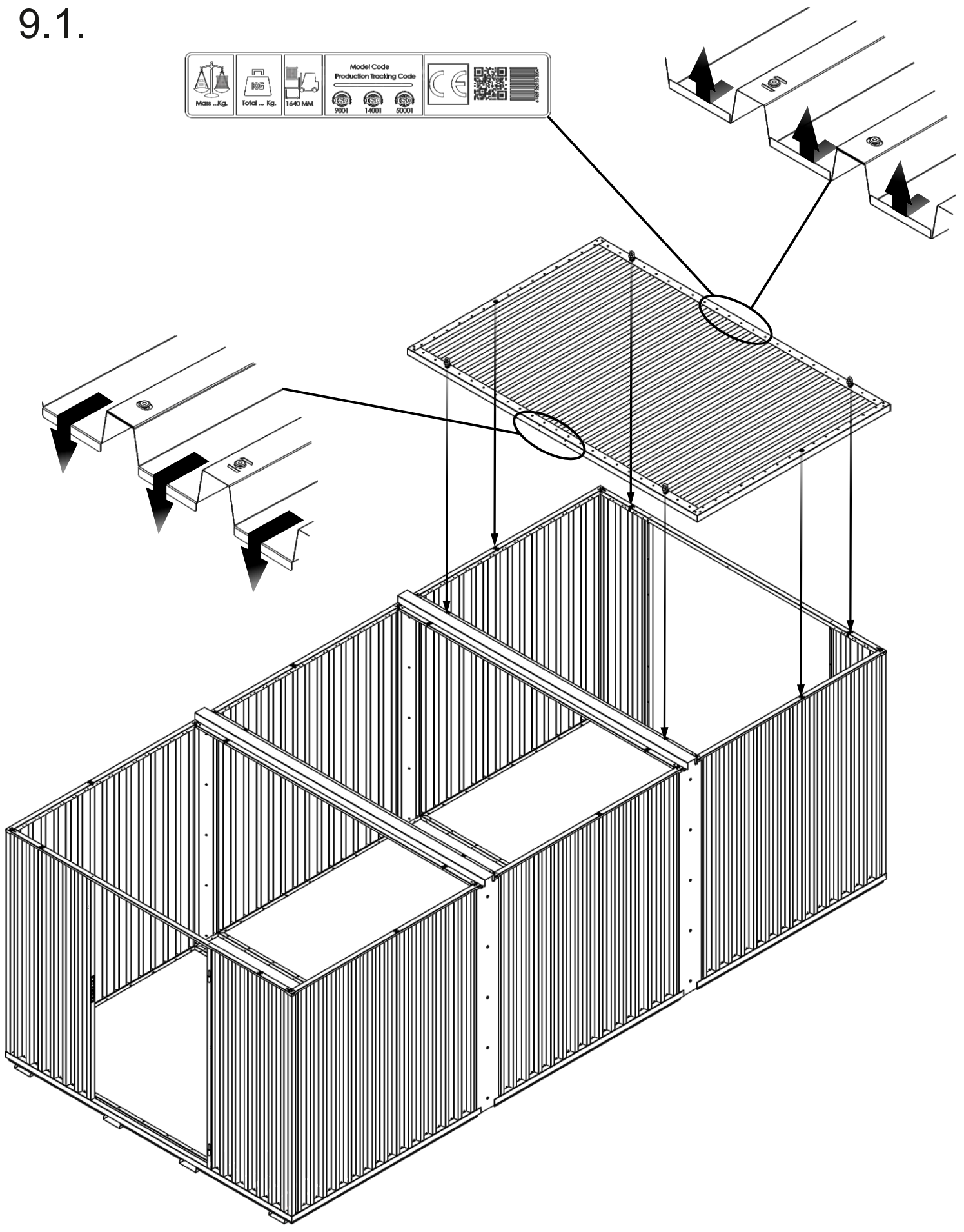
8.2.



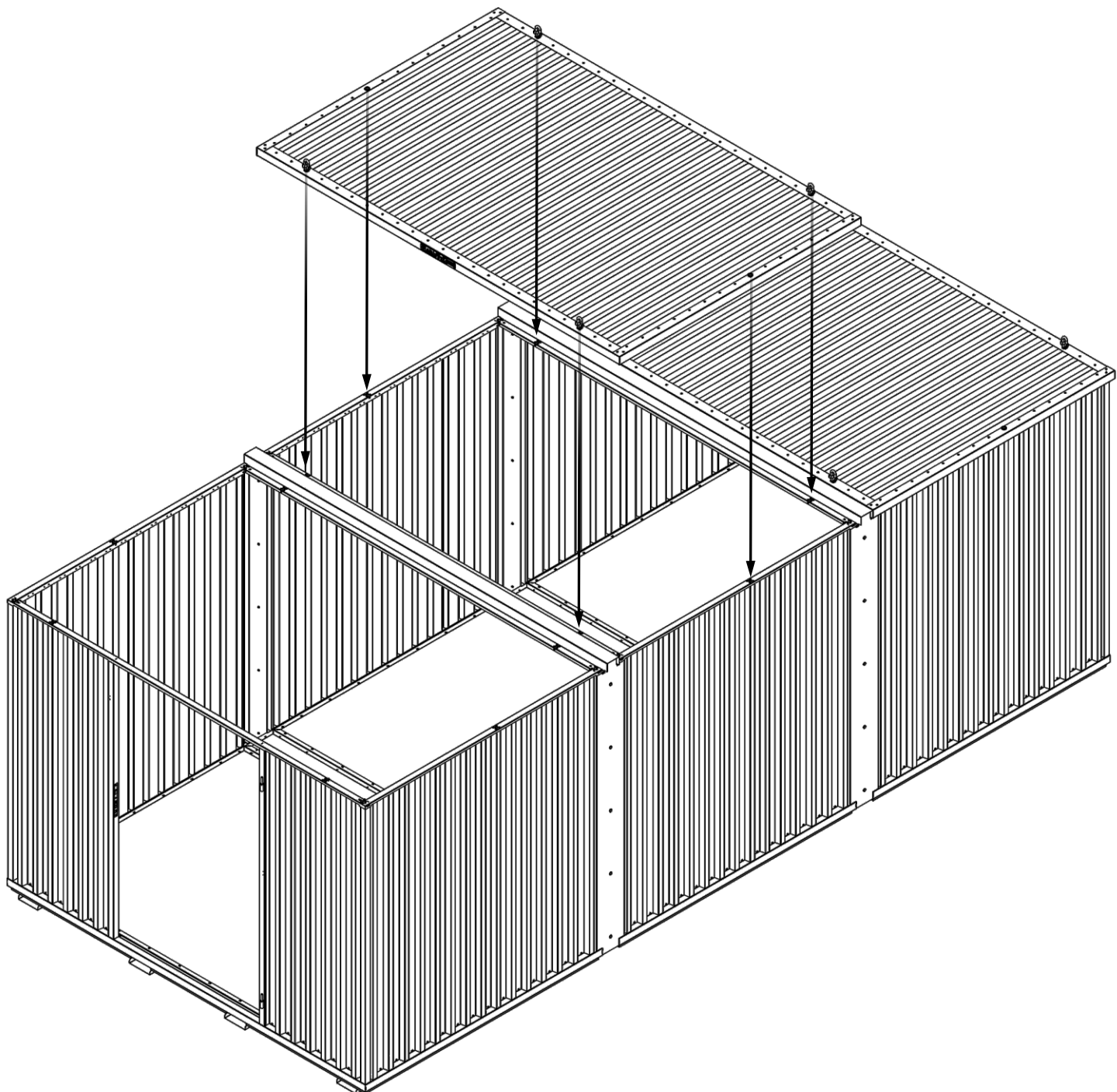


# 9.1.

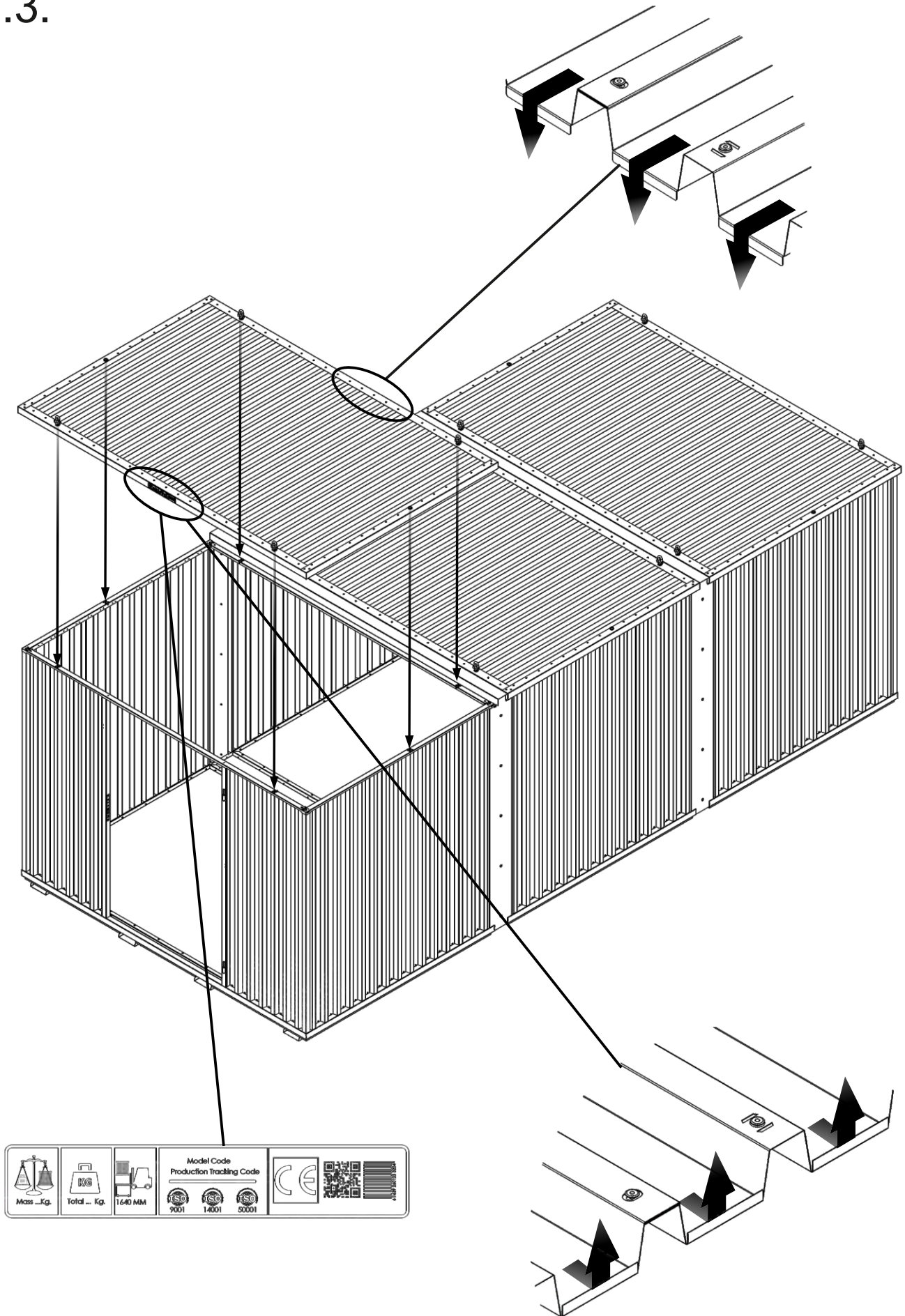
 Mass ...Kg.	 Total ... Kg.	 1640 MM	Model Code Production Tracking Code   		
--	--	--	---	---	---

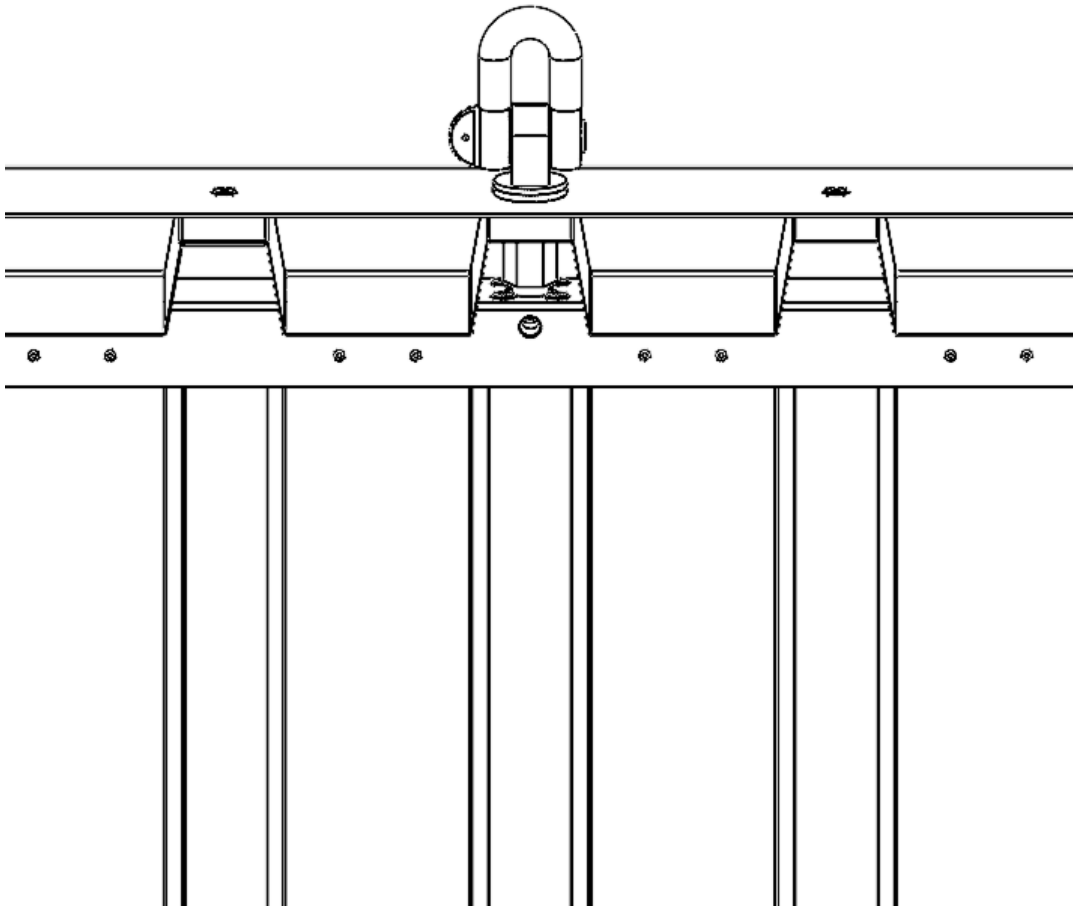
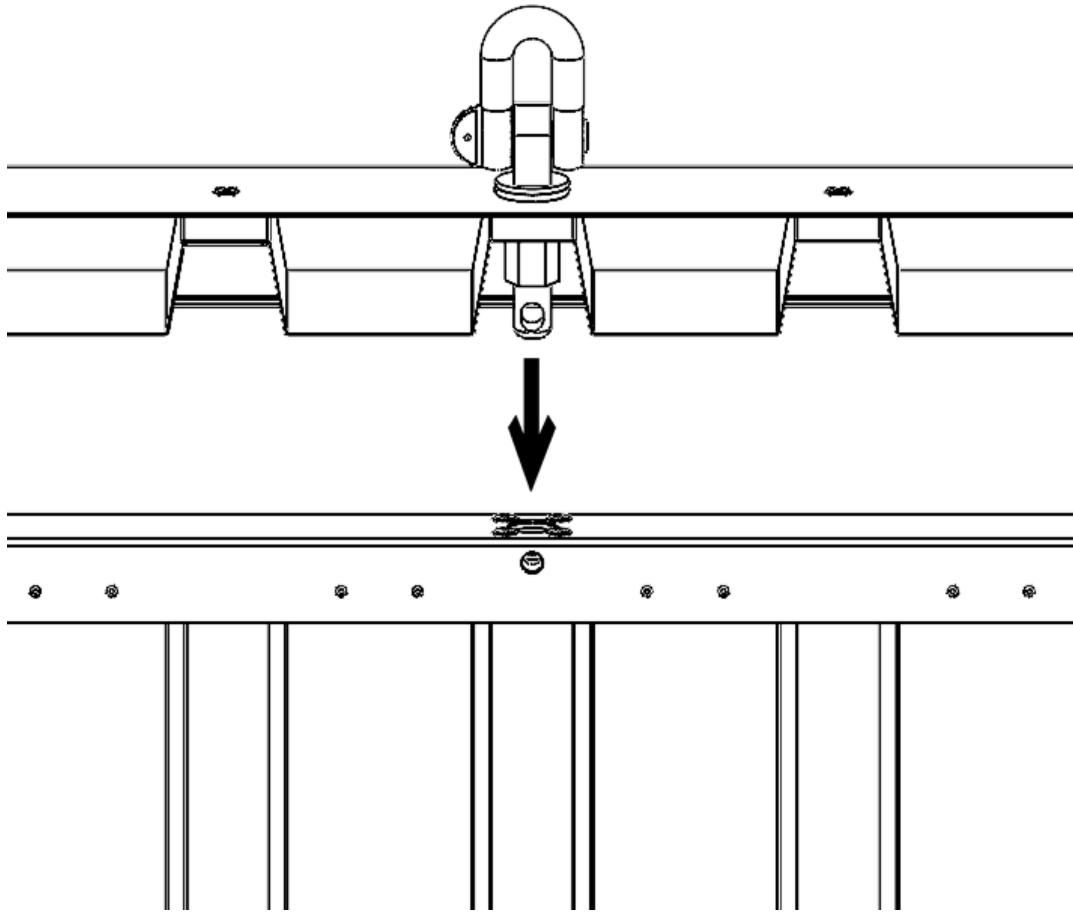


9.2.

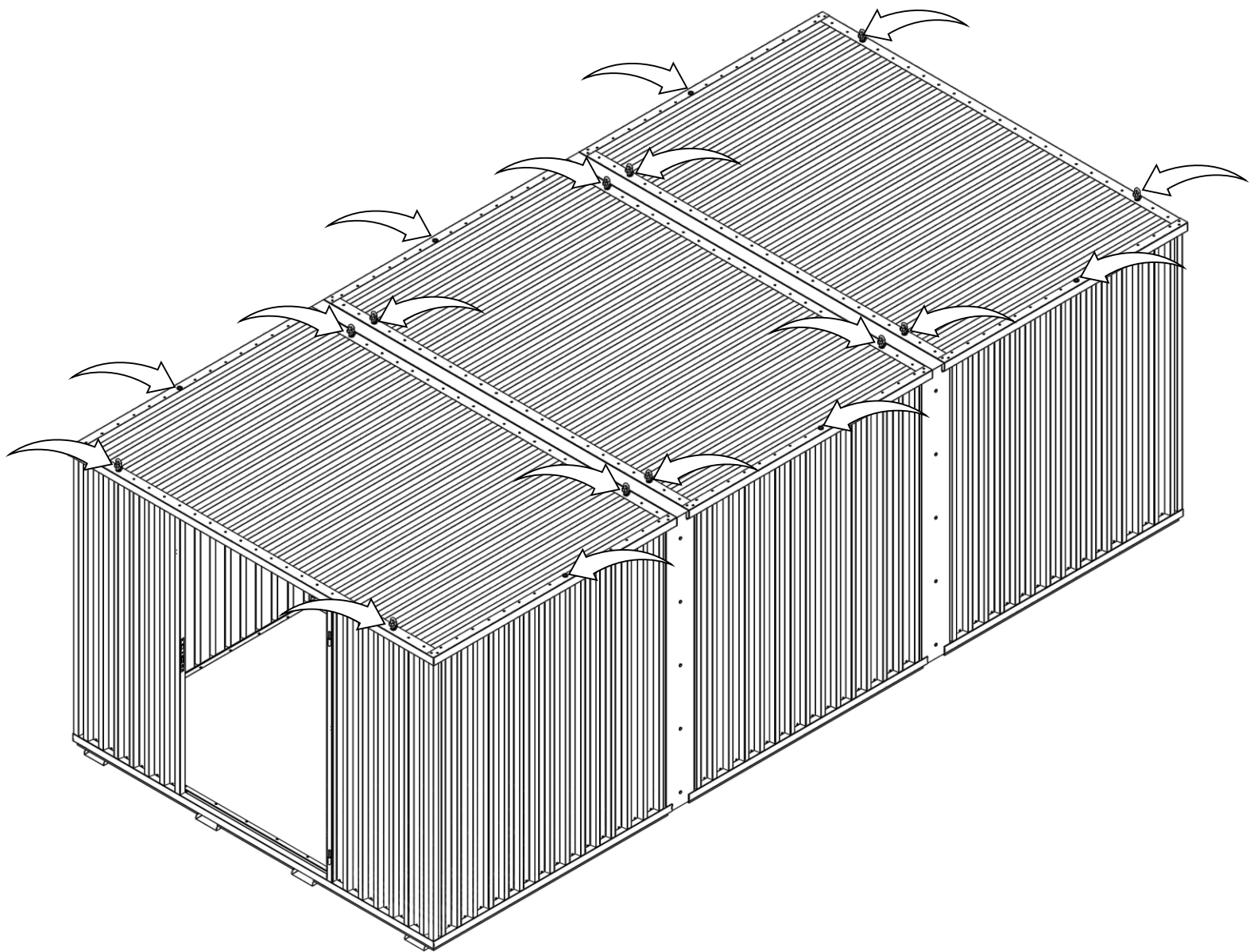


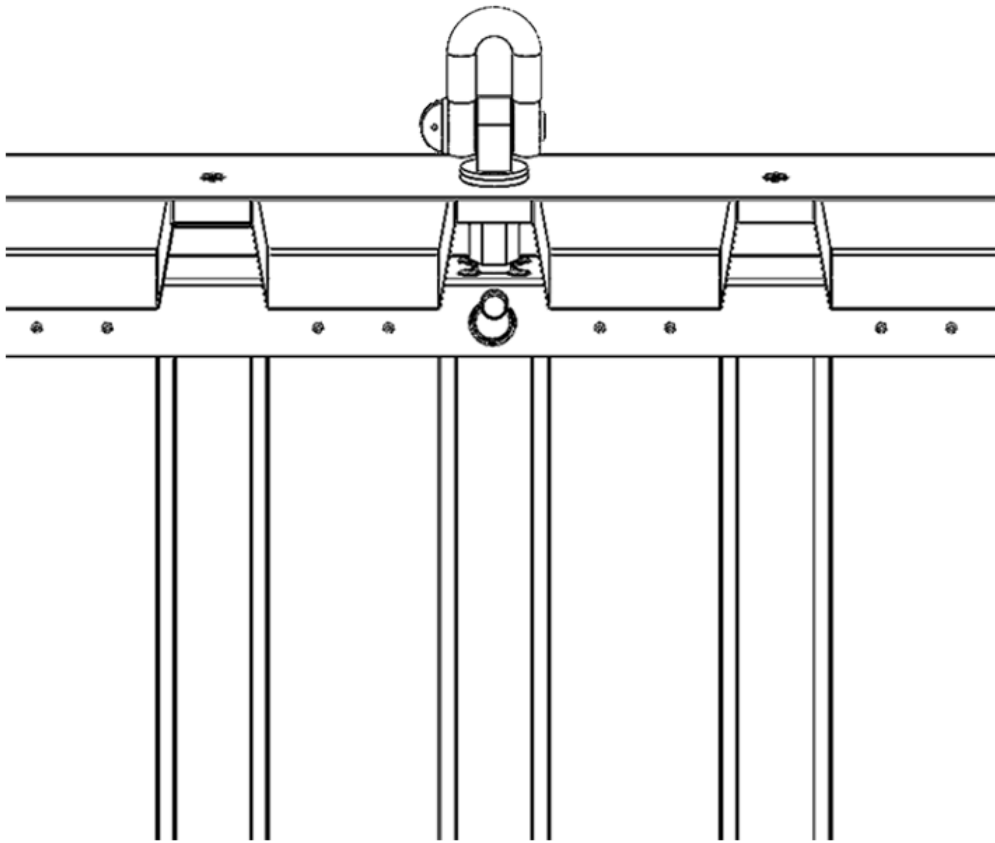
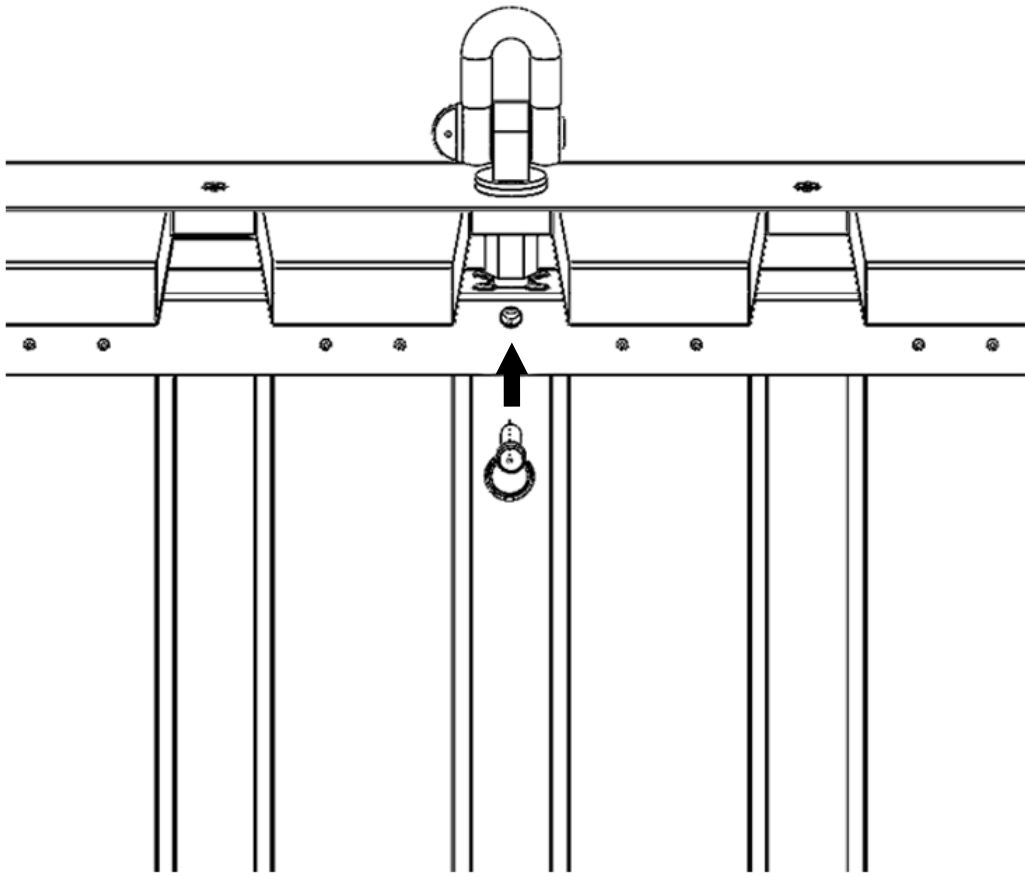
# 9.3.



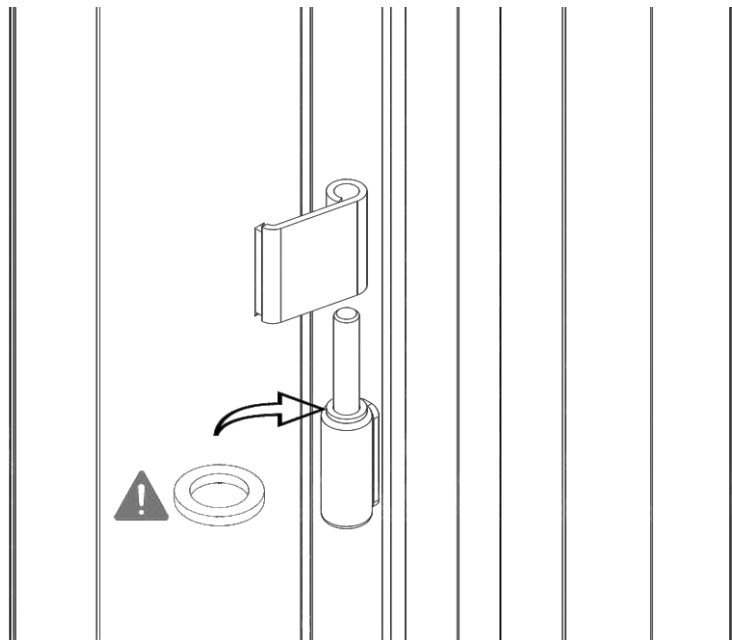
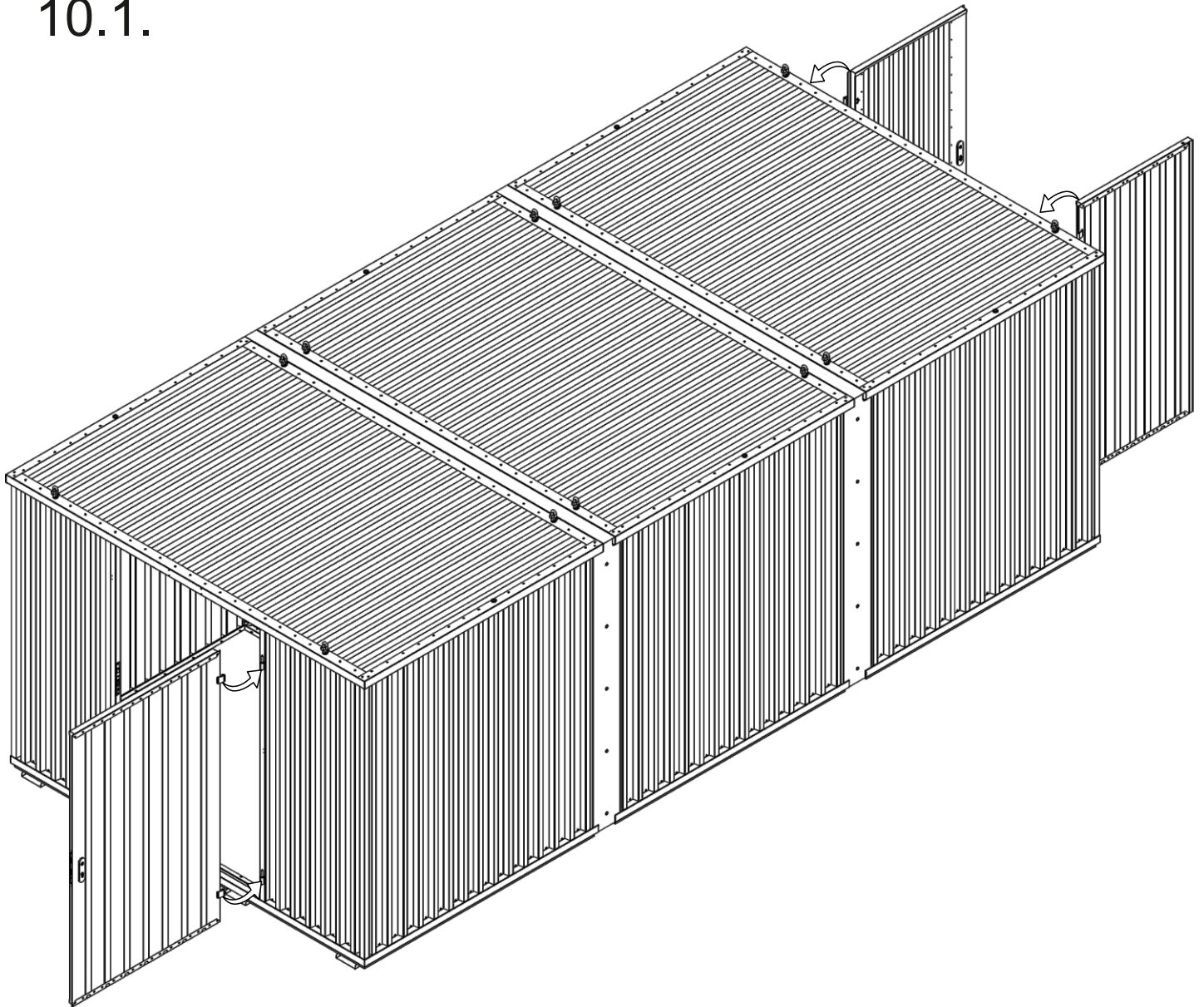


9.4.

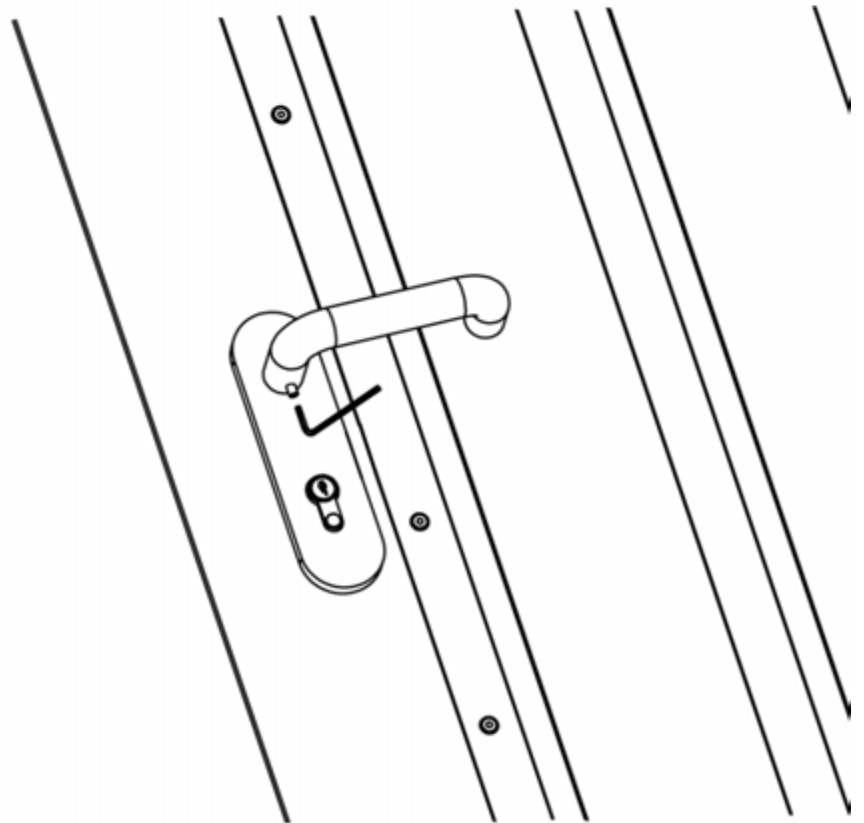
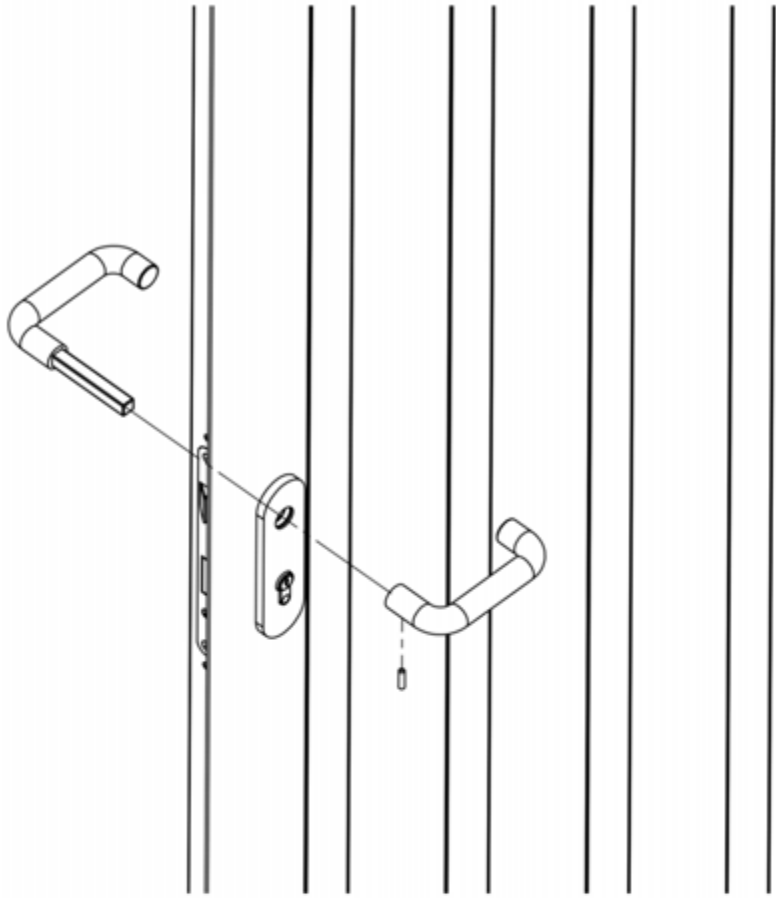




10.1.

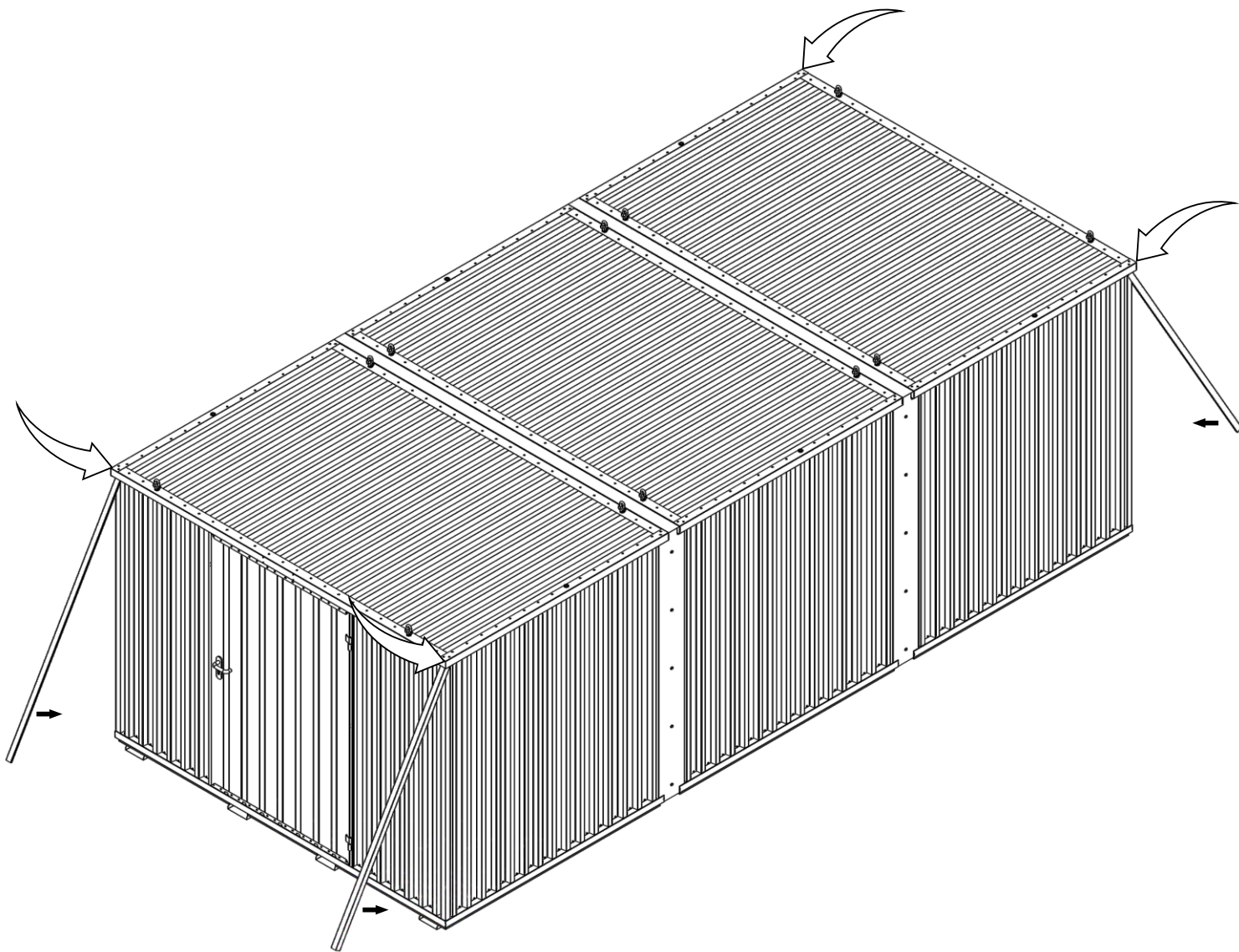


10.2.





11.1.



12.1.

