





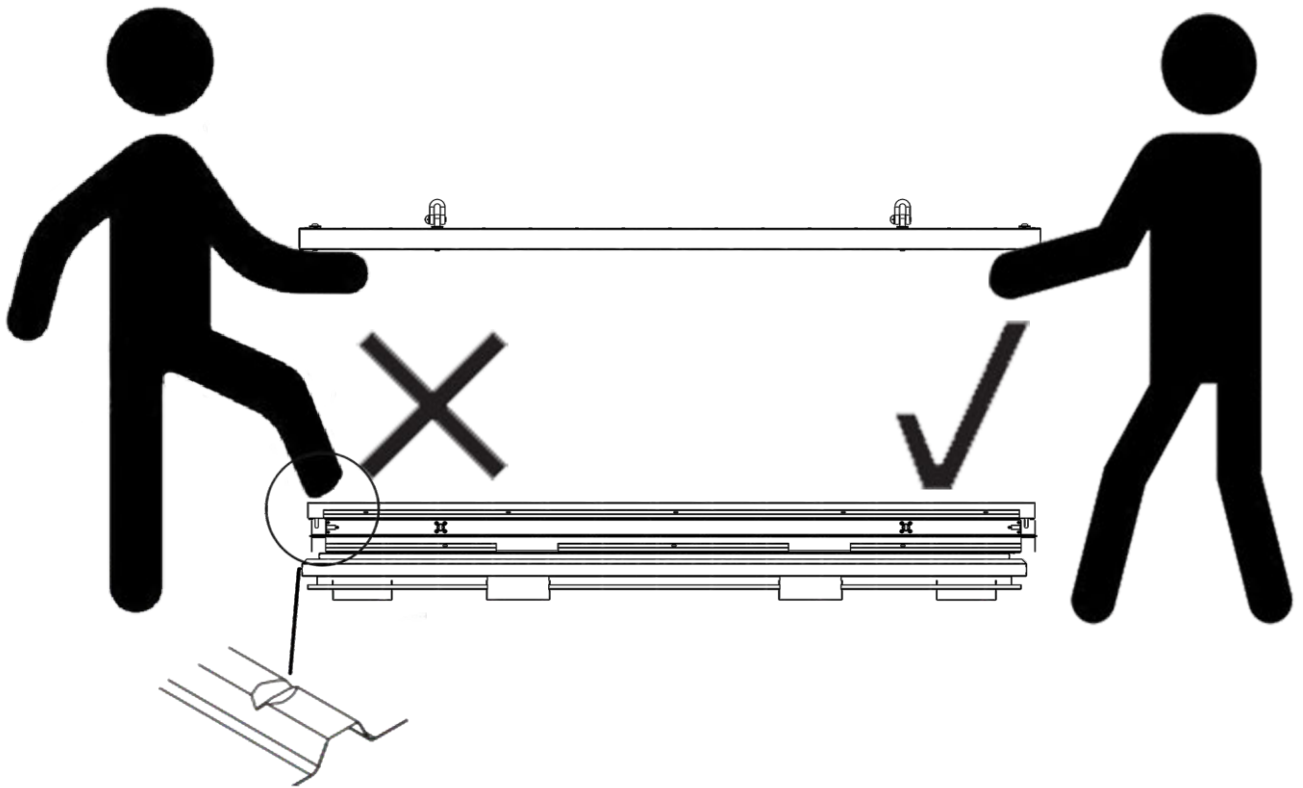
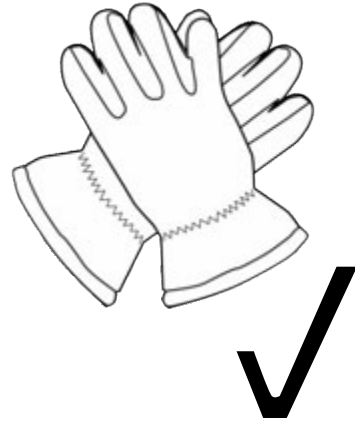


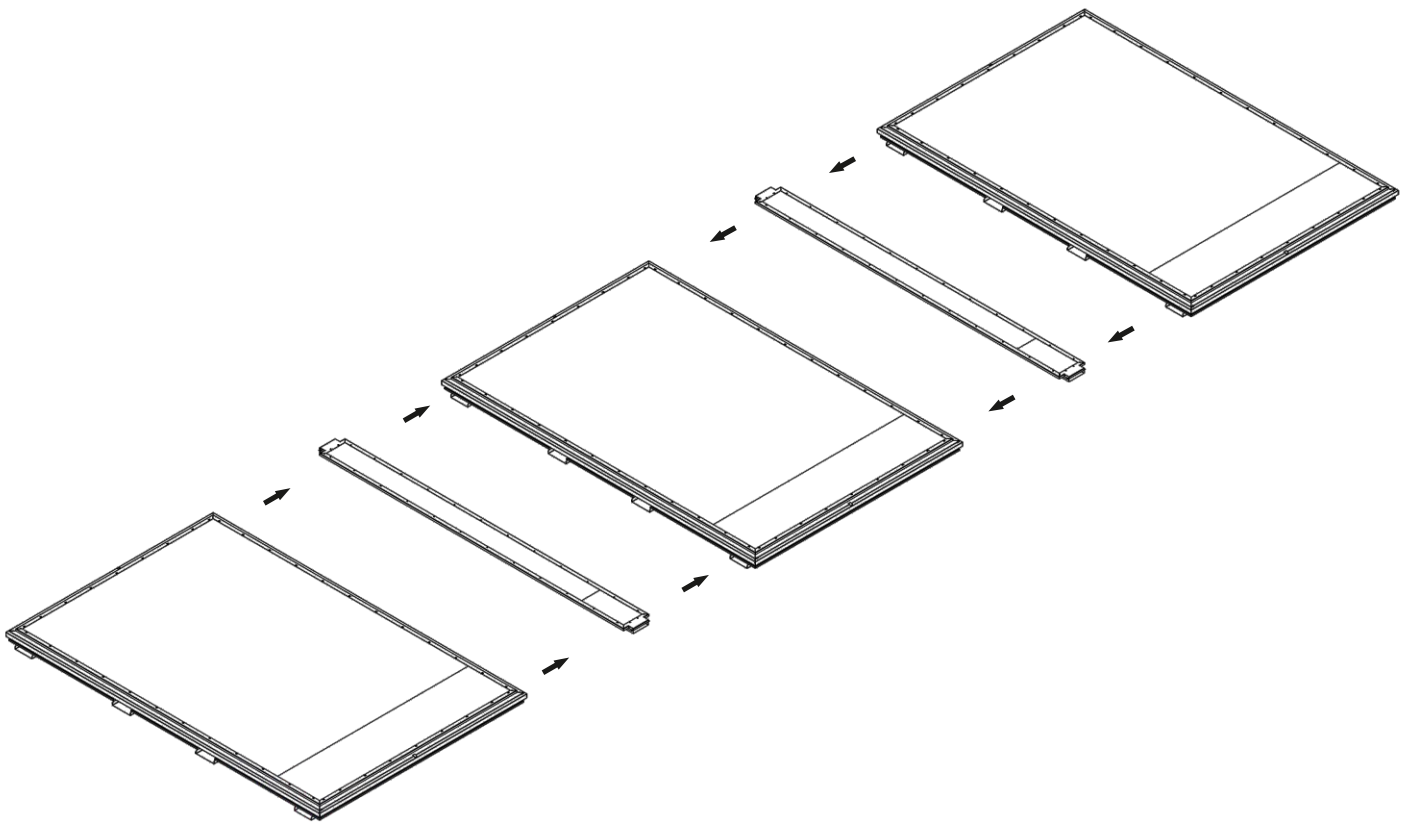
# PRODUCT CODE :3033.110.420



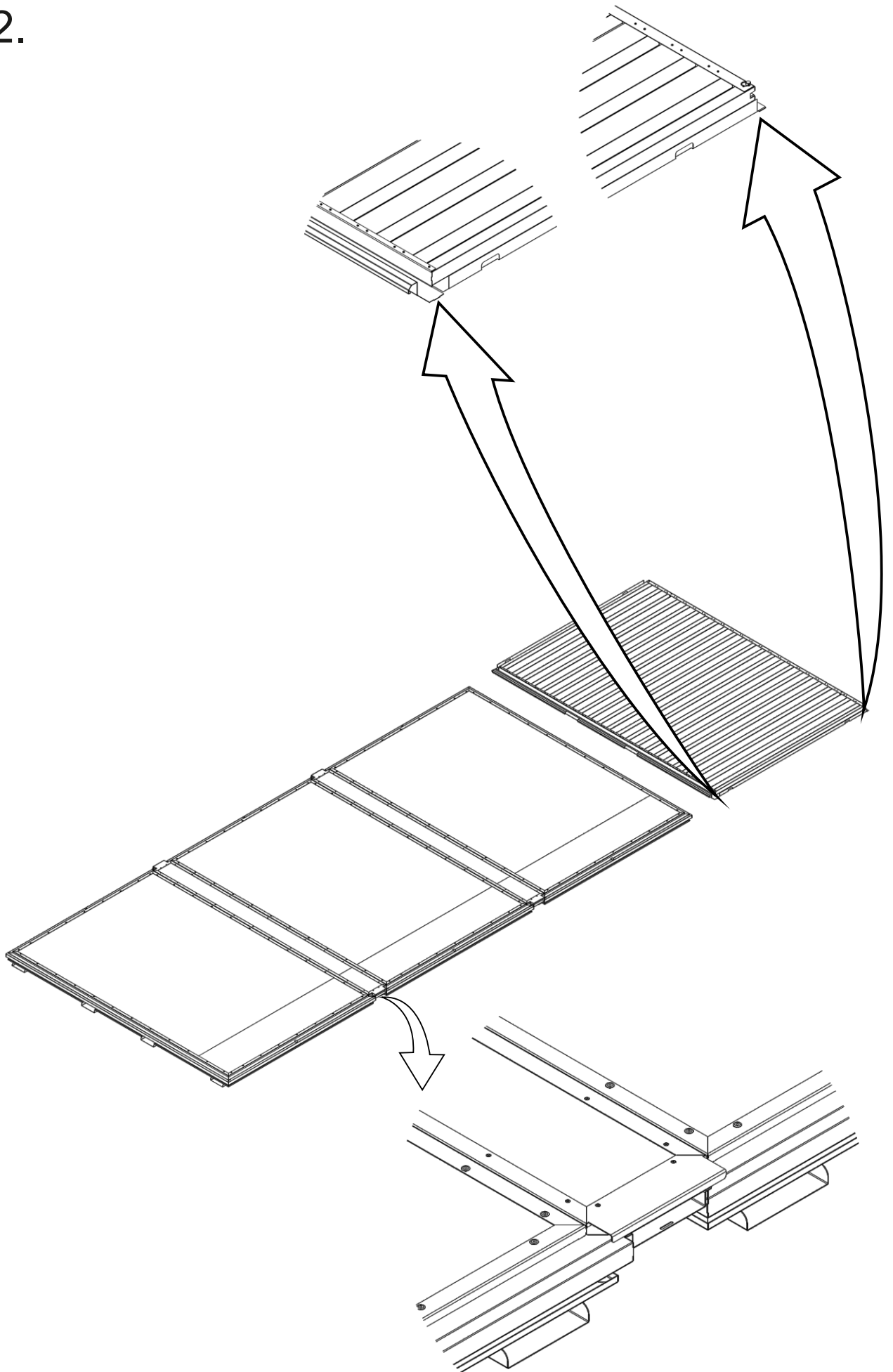
	30 pcs.
	1 pcs.
	1 pcs.
	20 pcs.
	20 pcs.
	20 pcs.



1.1.

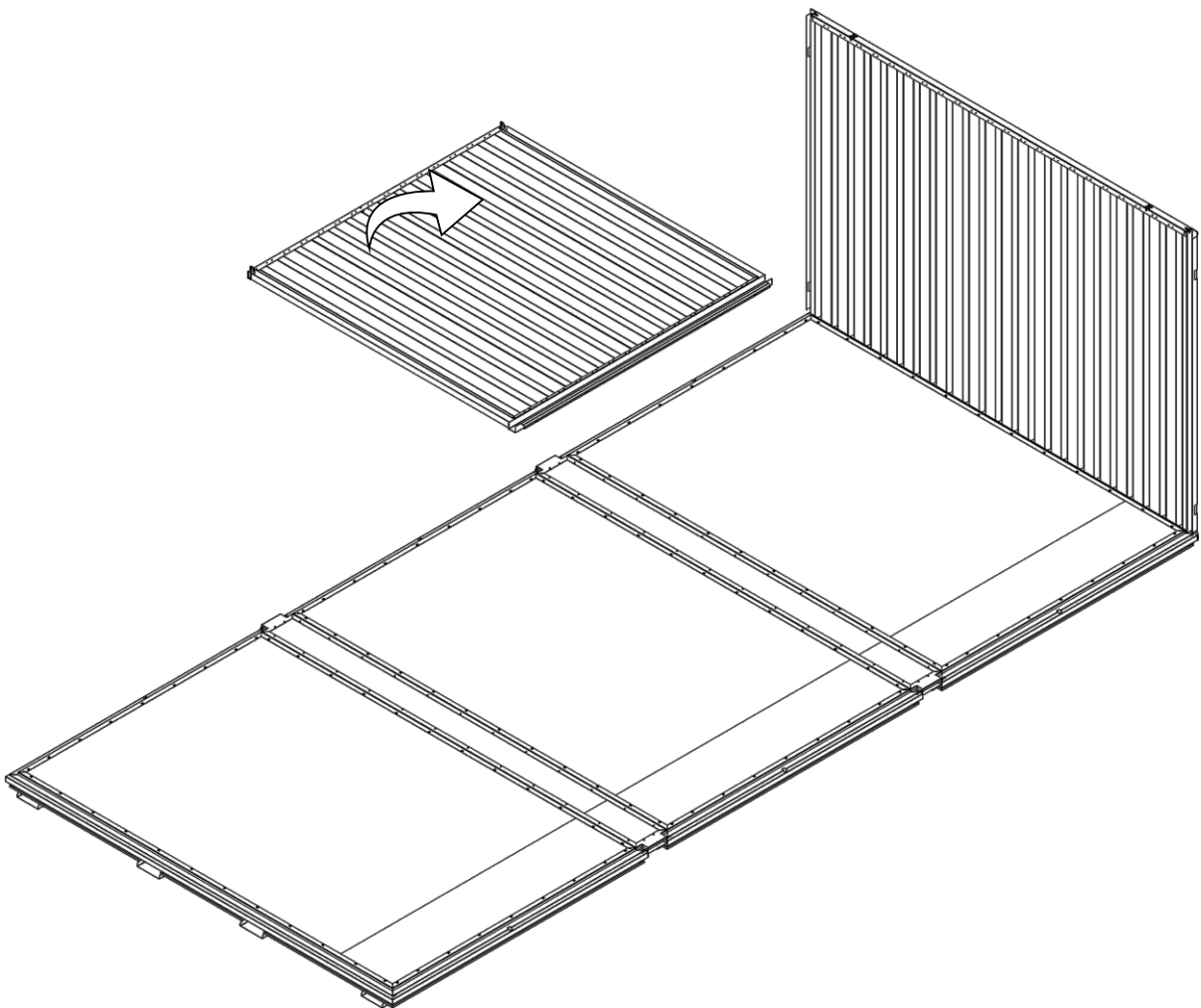


1.2.

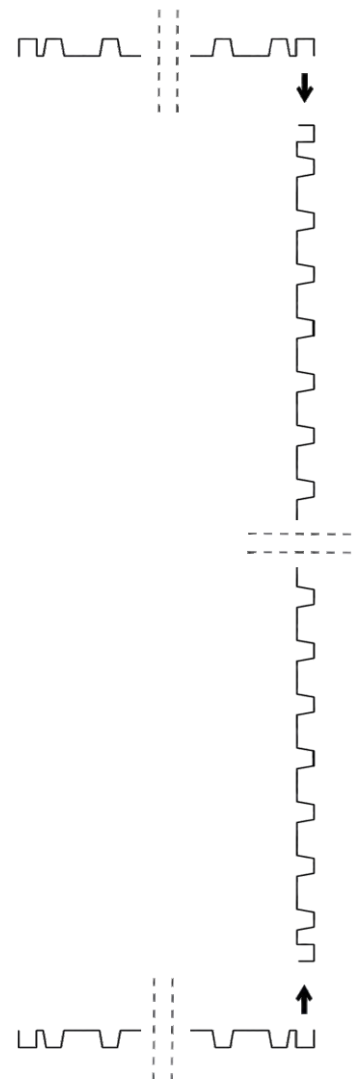
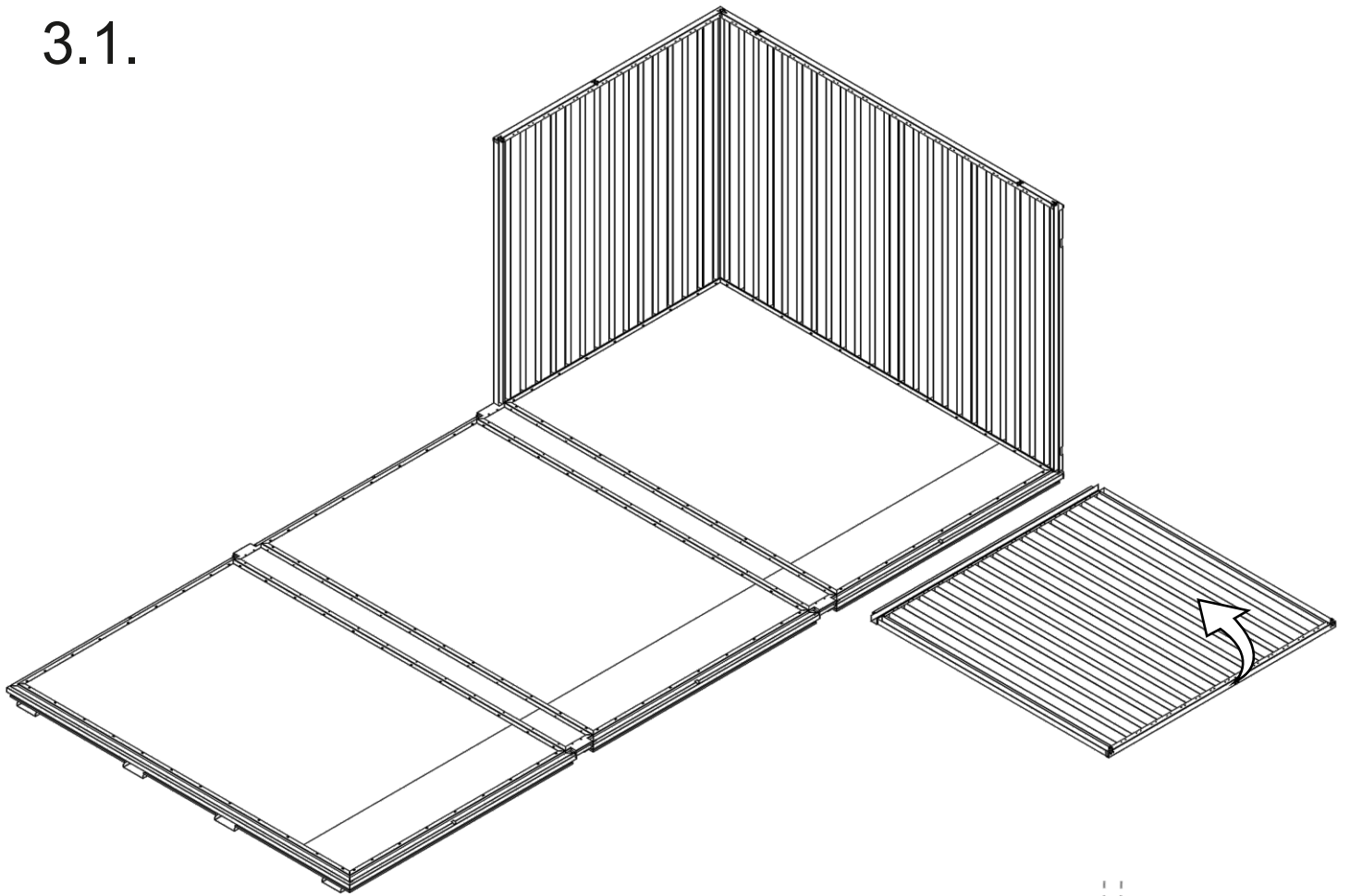


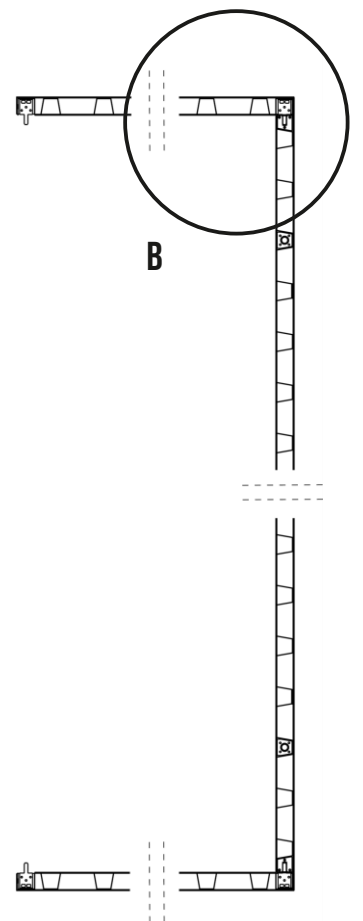
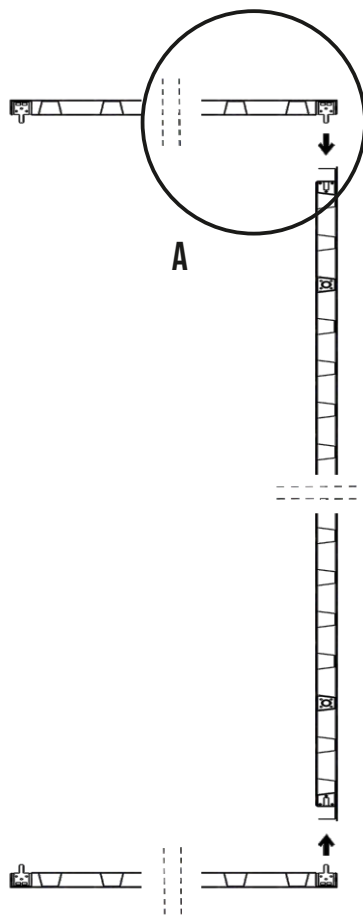
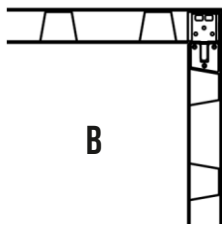
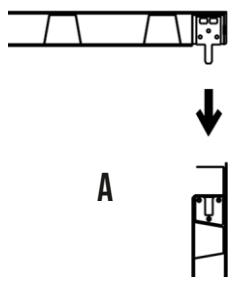


2.1.

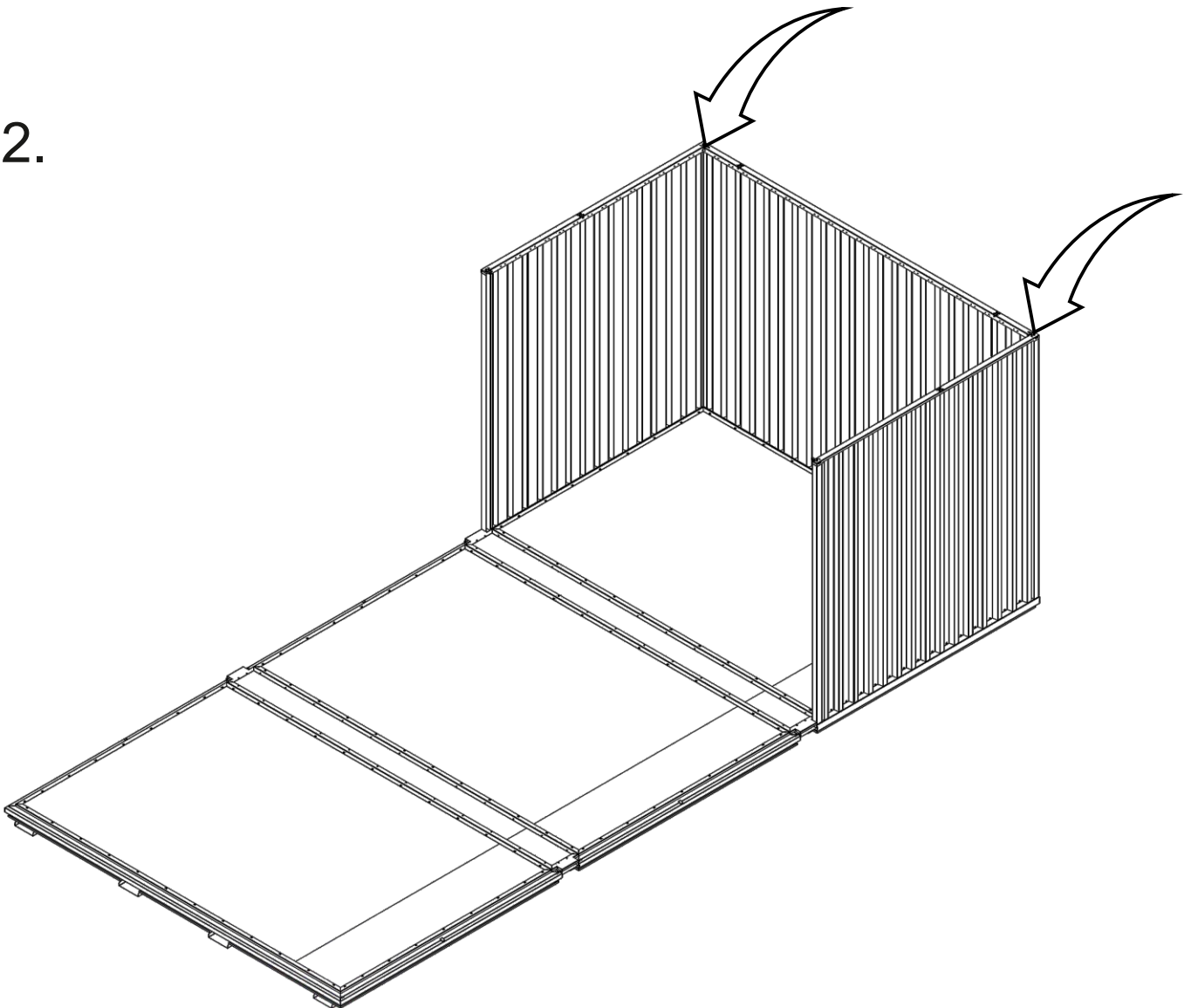


3.1.

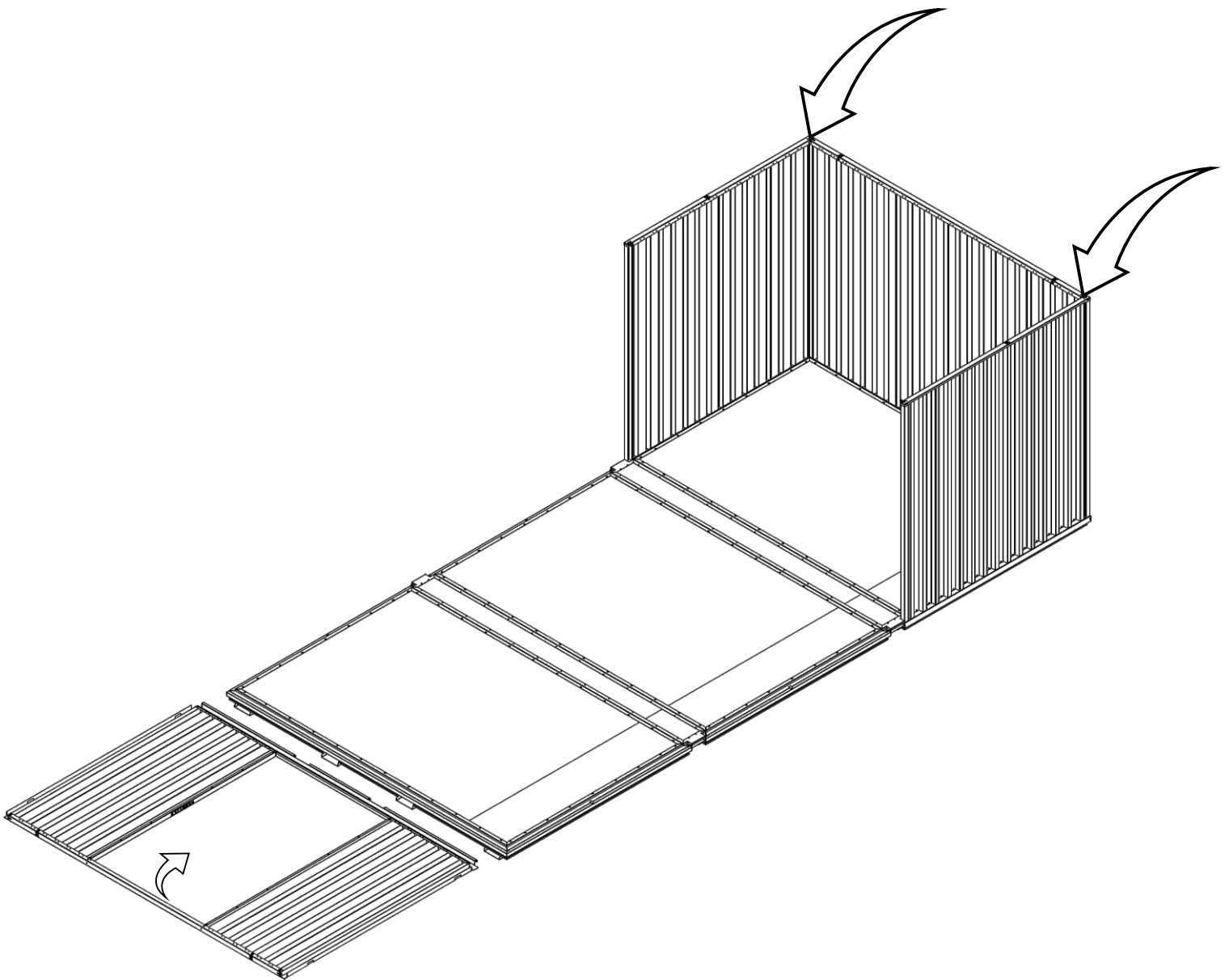
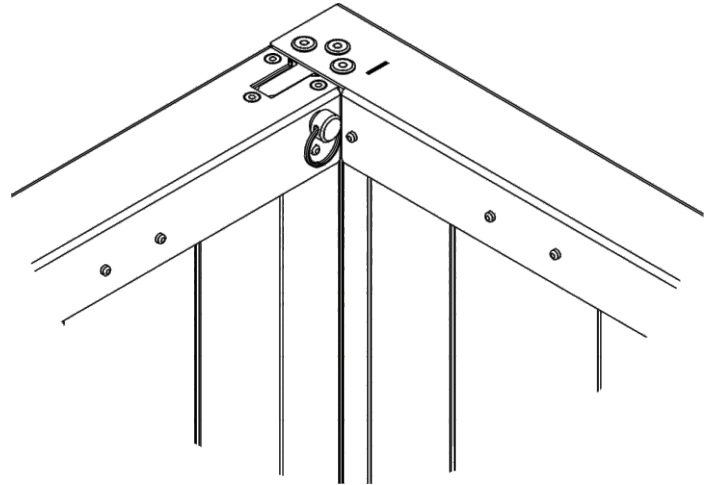
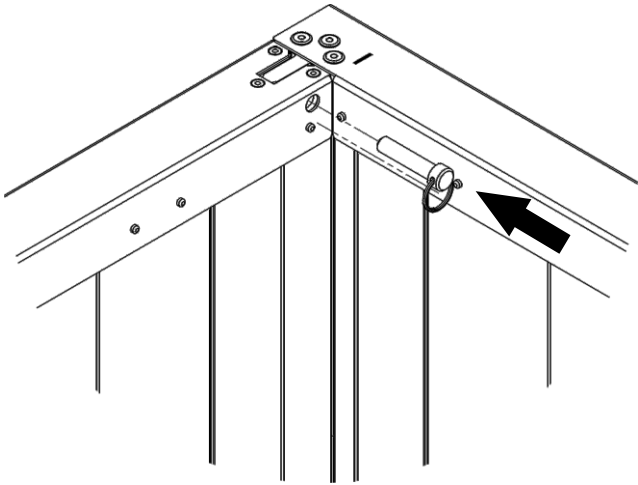




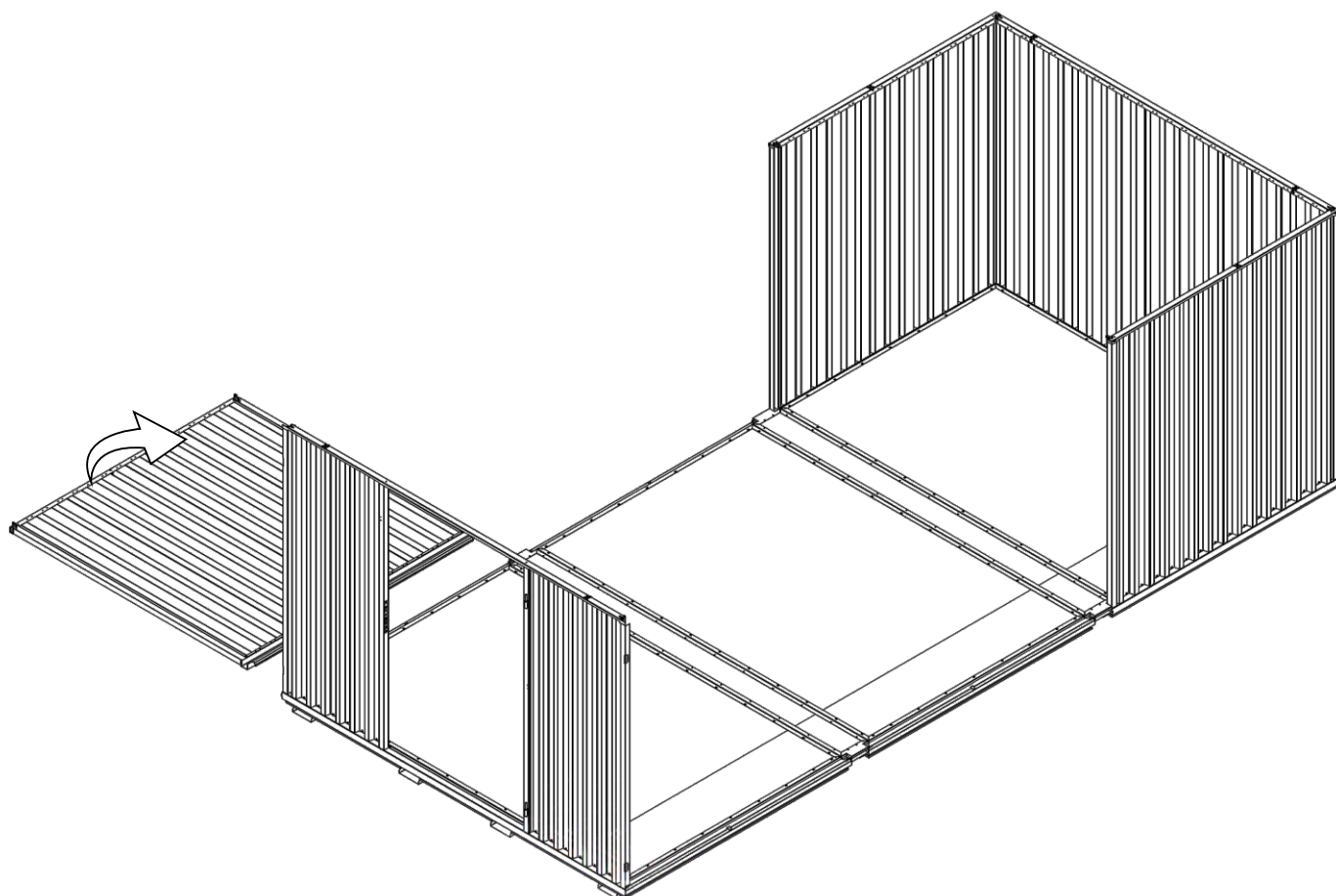
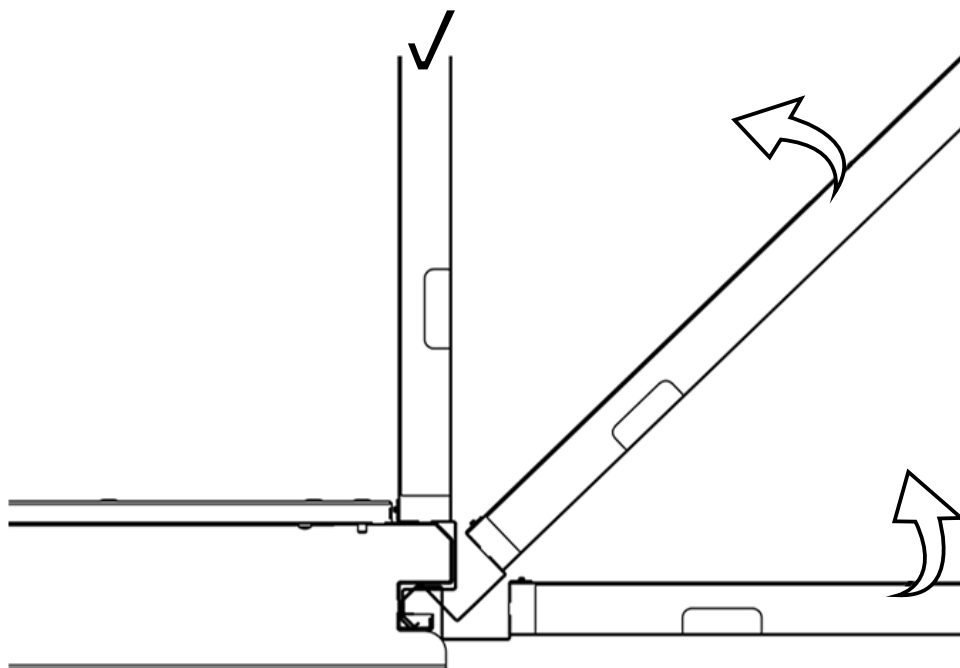
3.2.



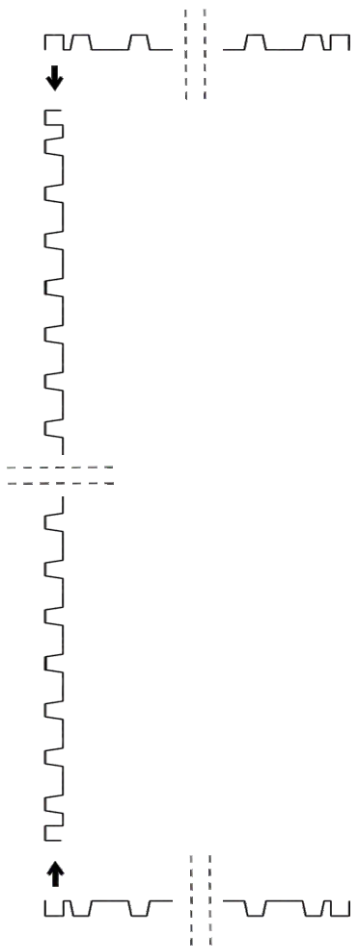
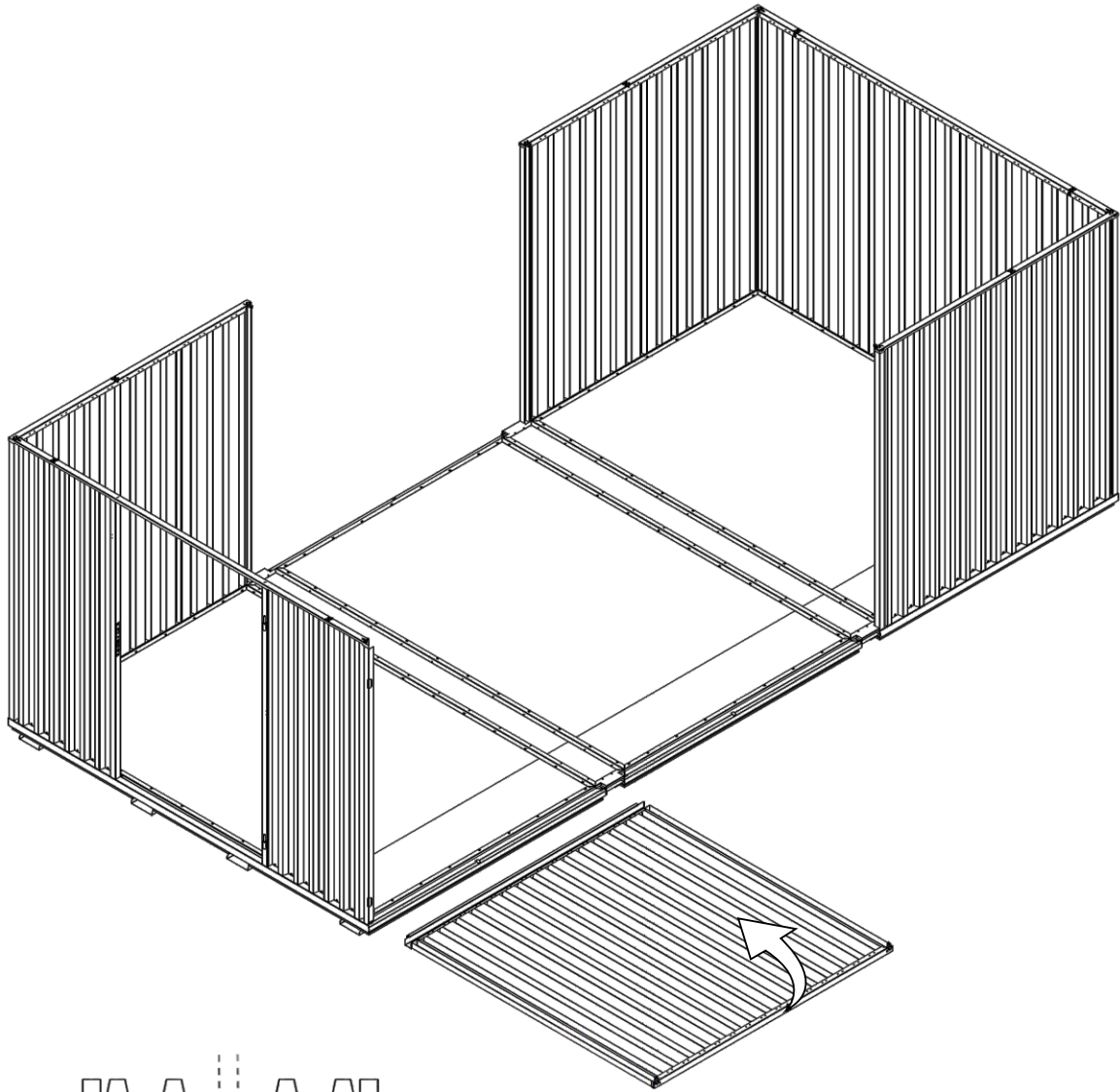
3.3.

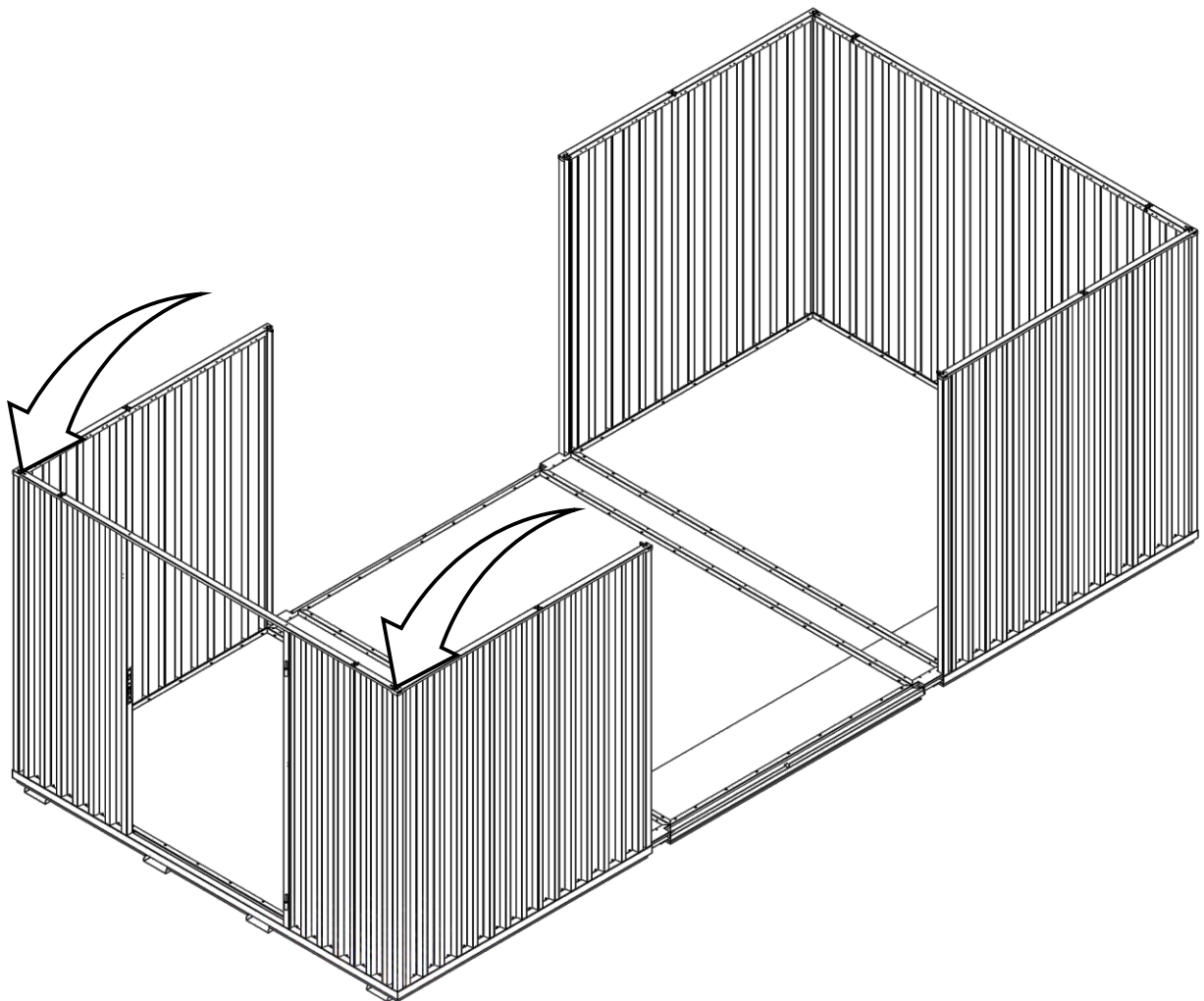
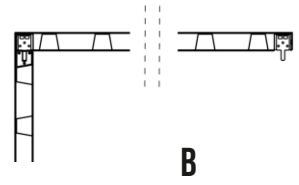
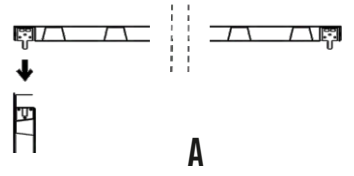
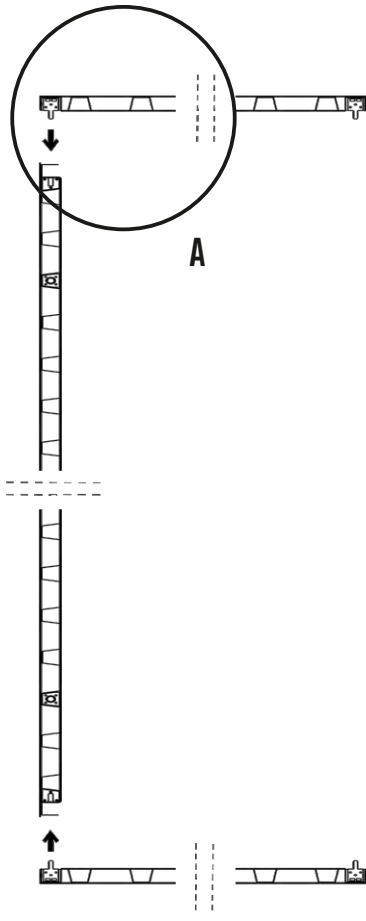
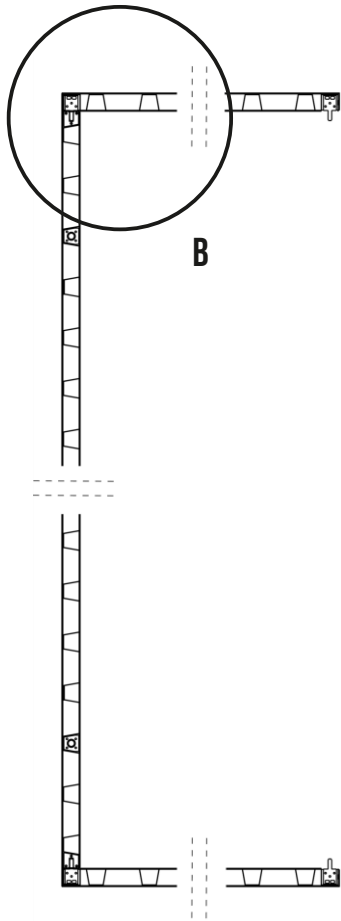


4.1.

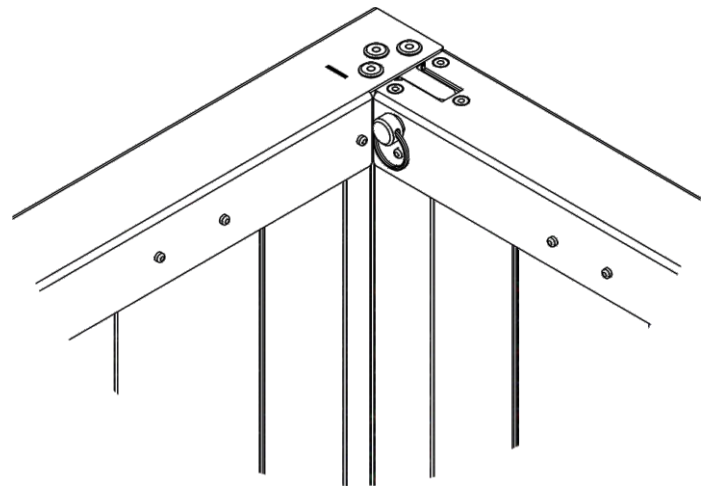
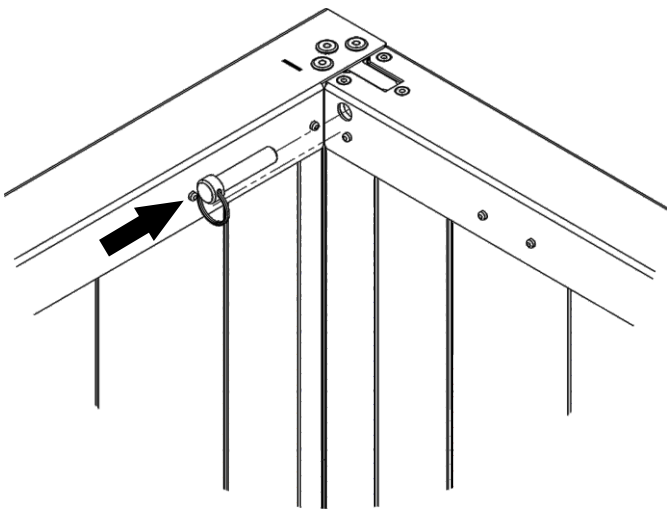
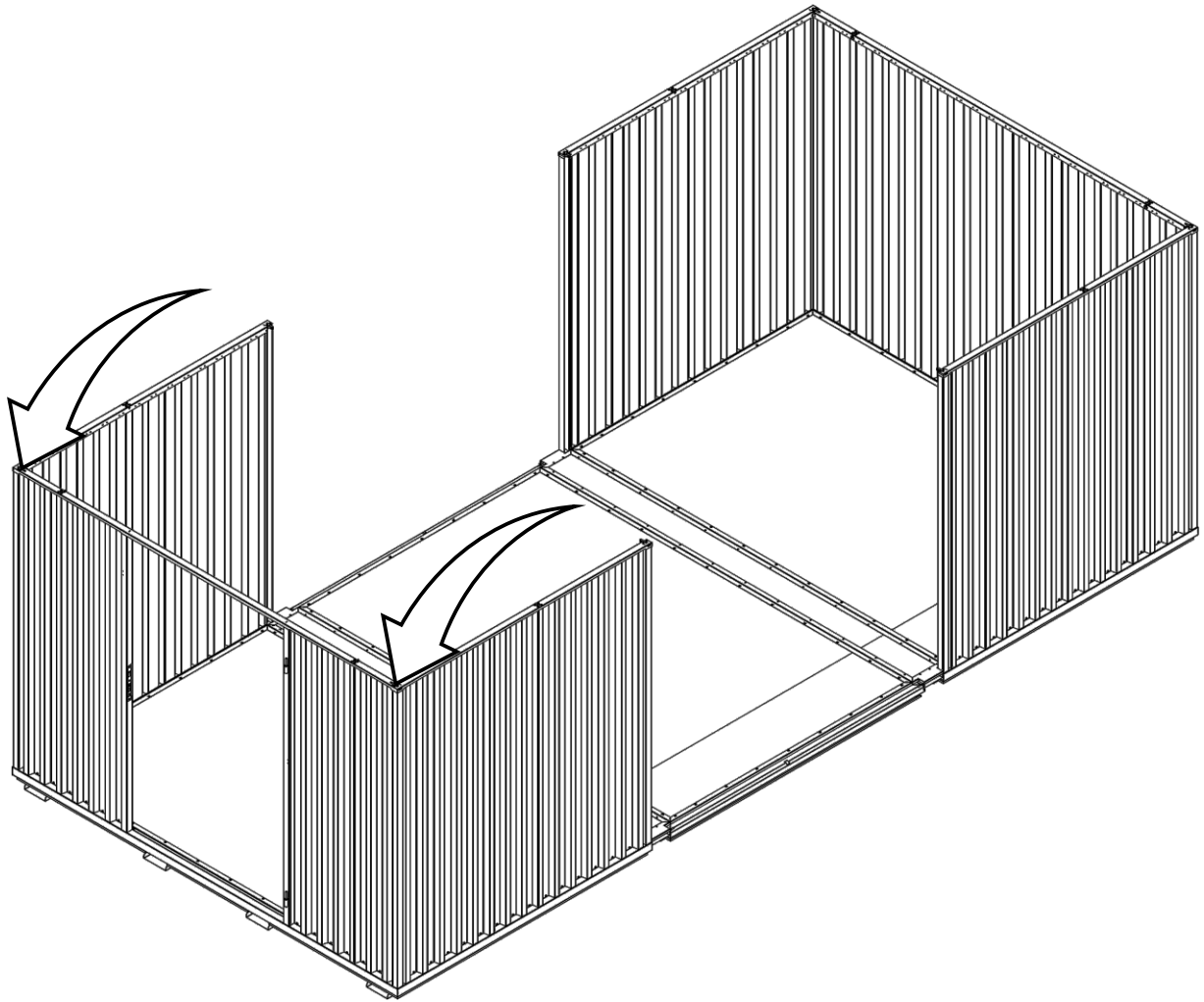


5.1.



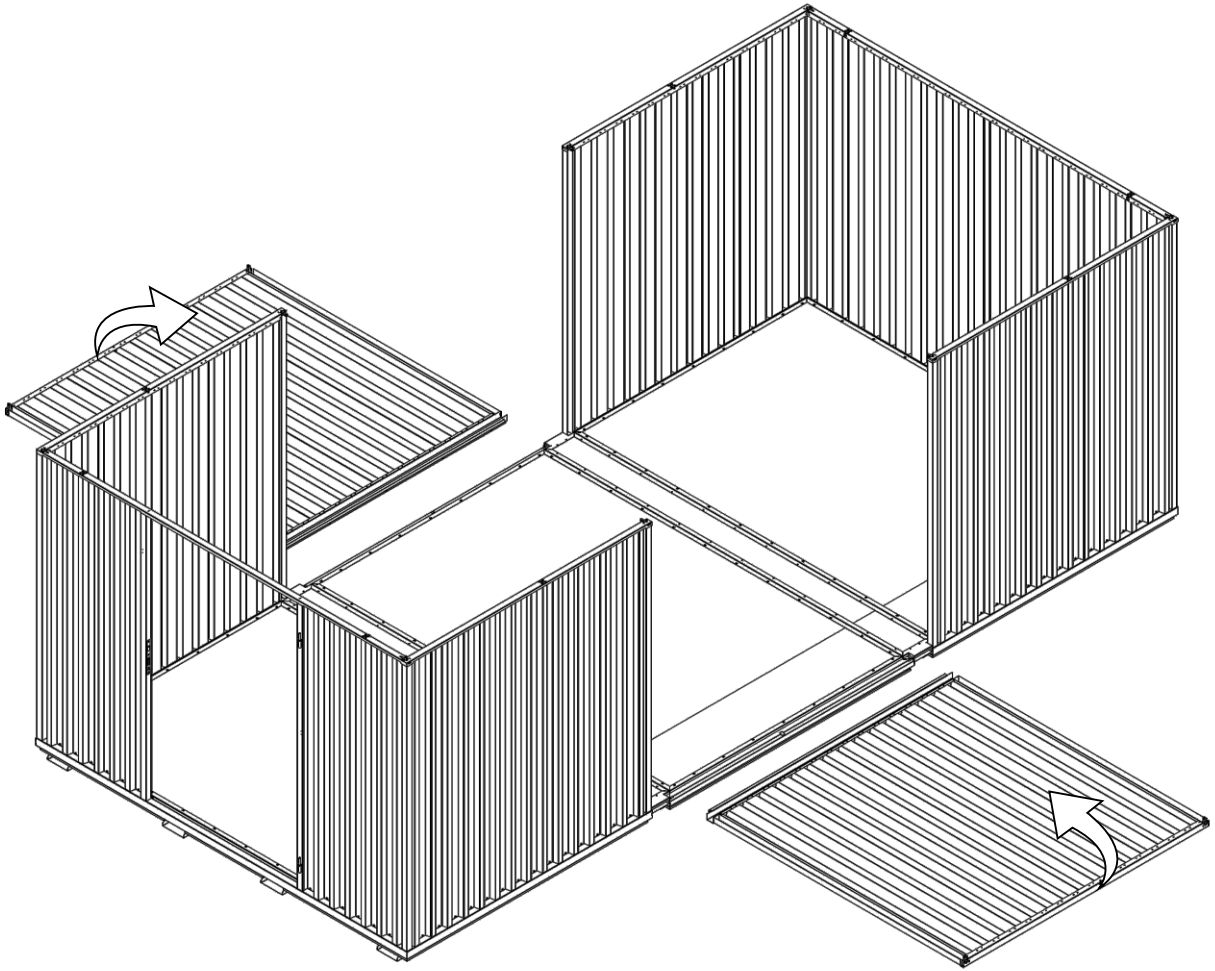


5.2.

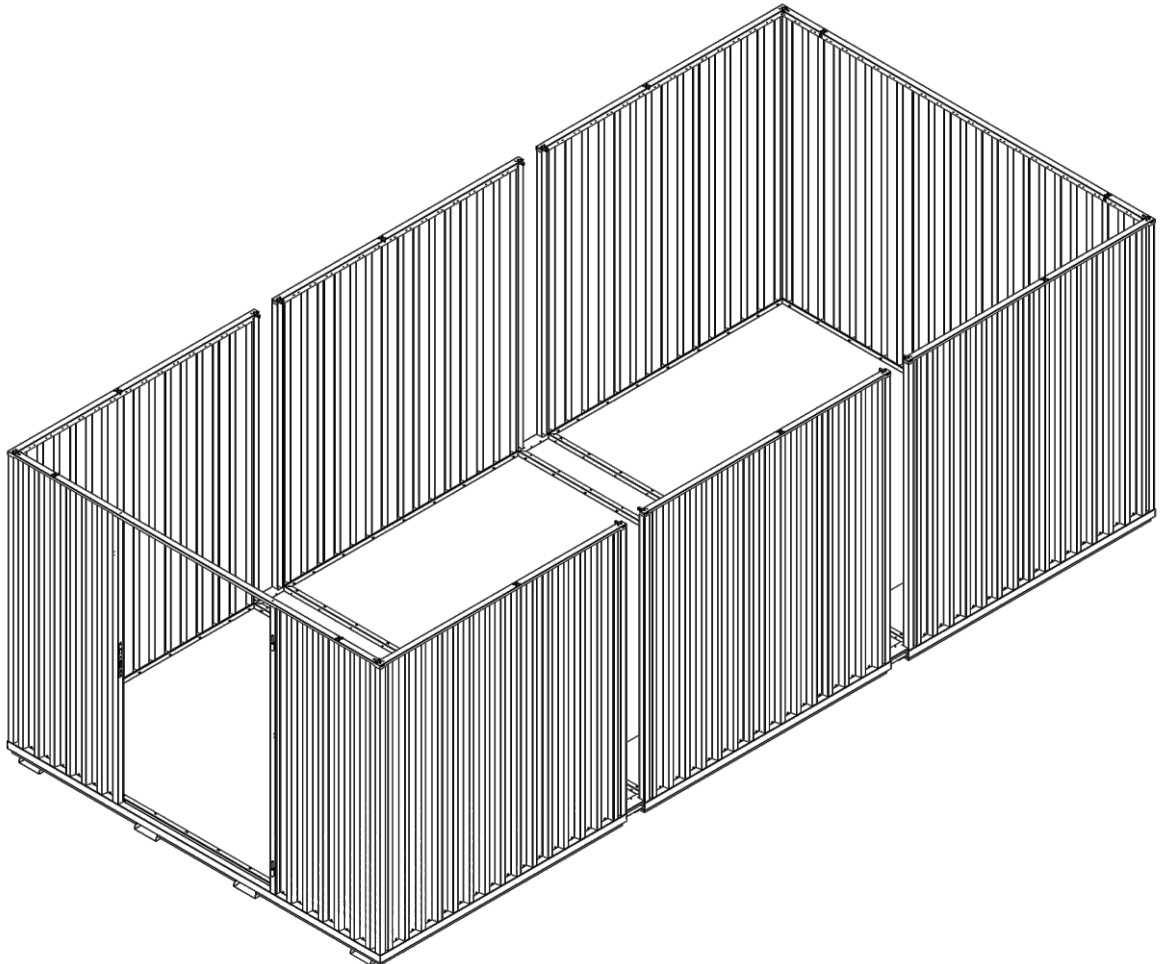




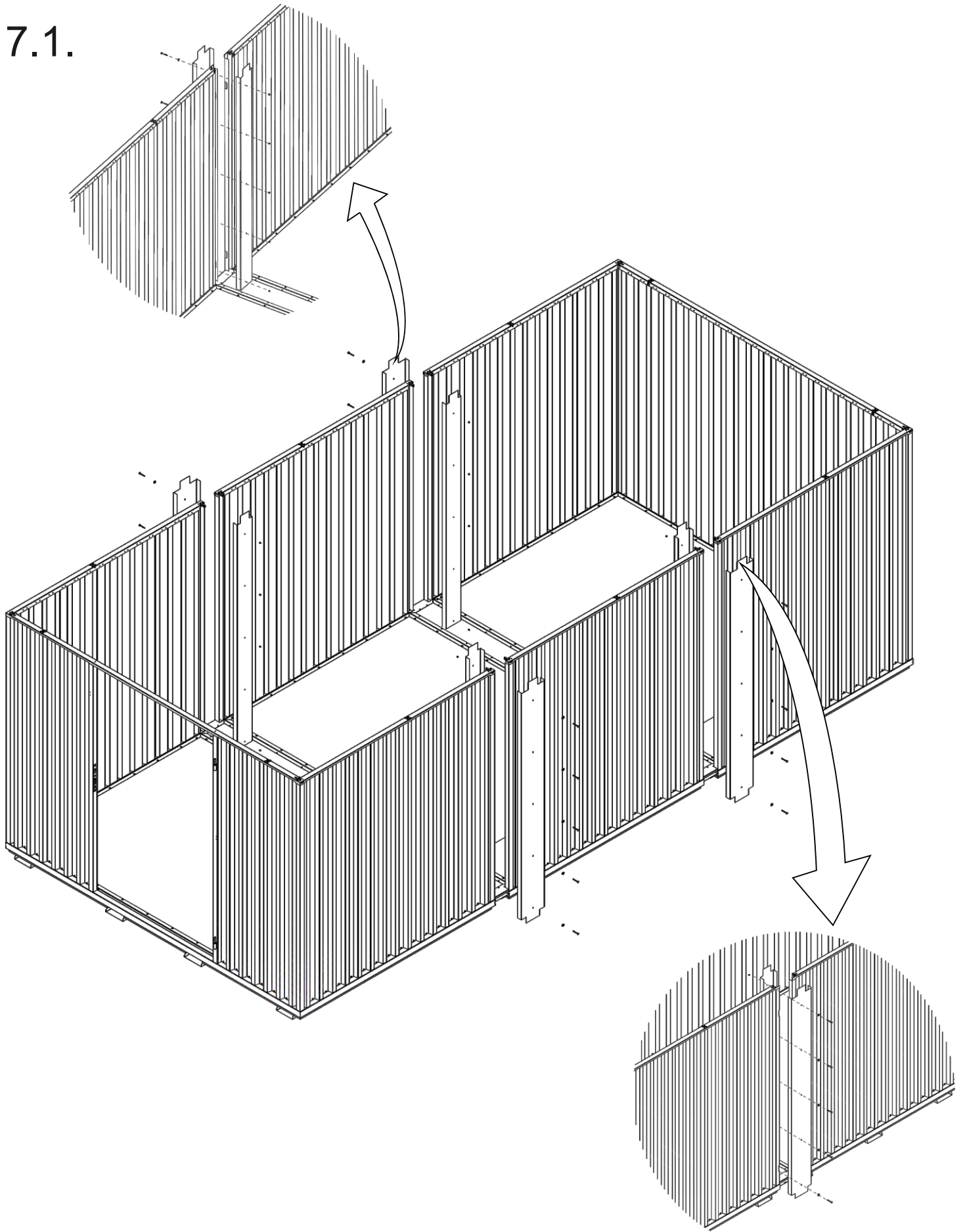
6.1.



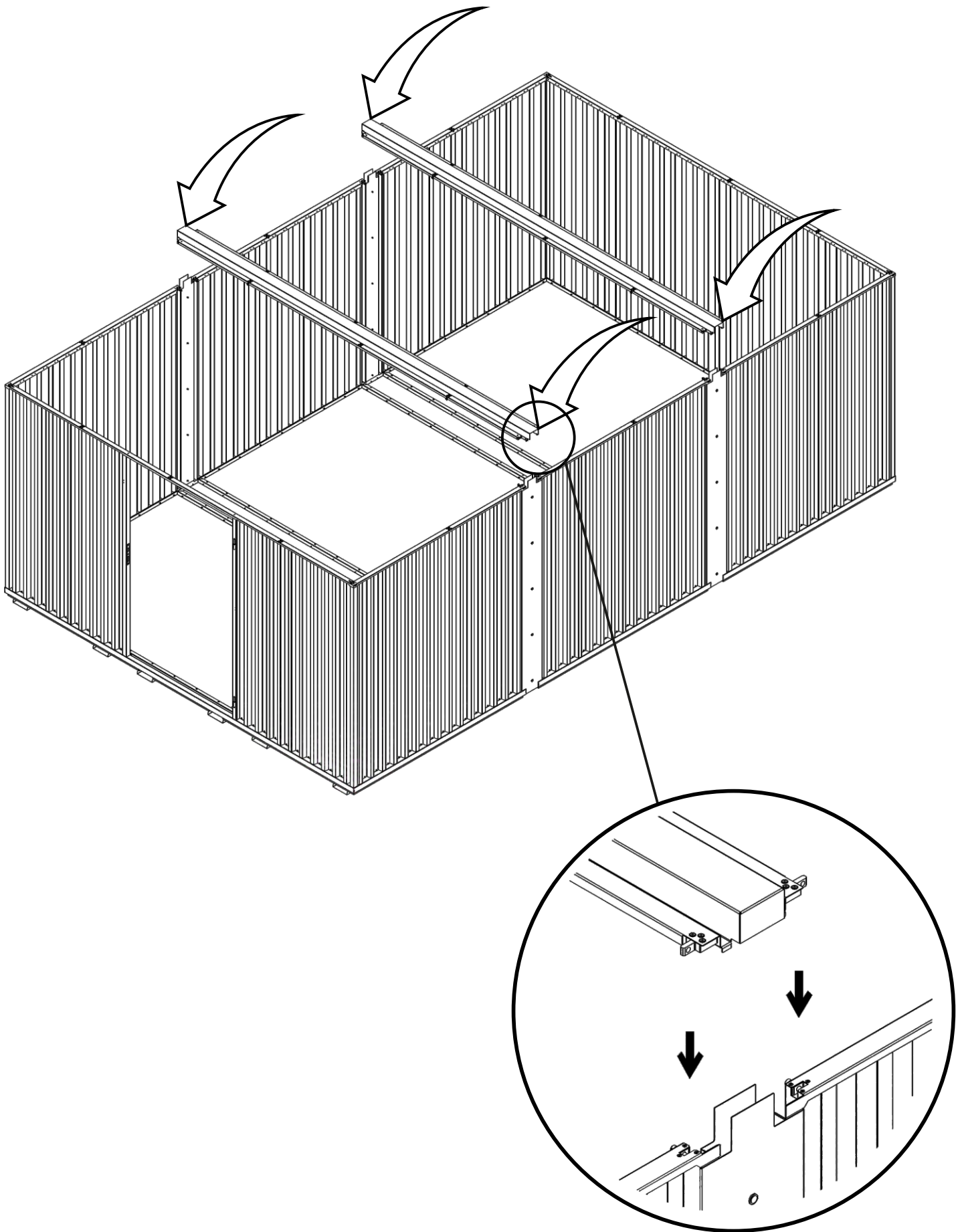
6.2.



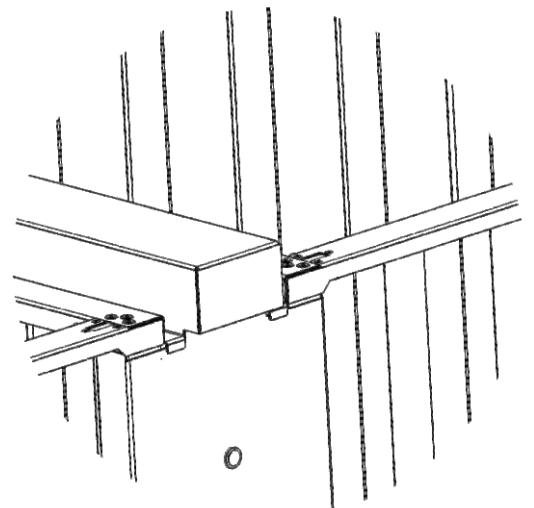
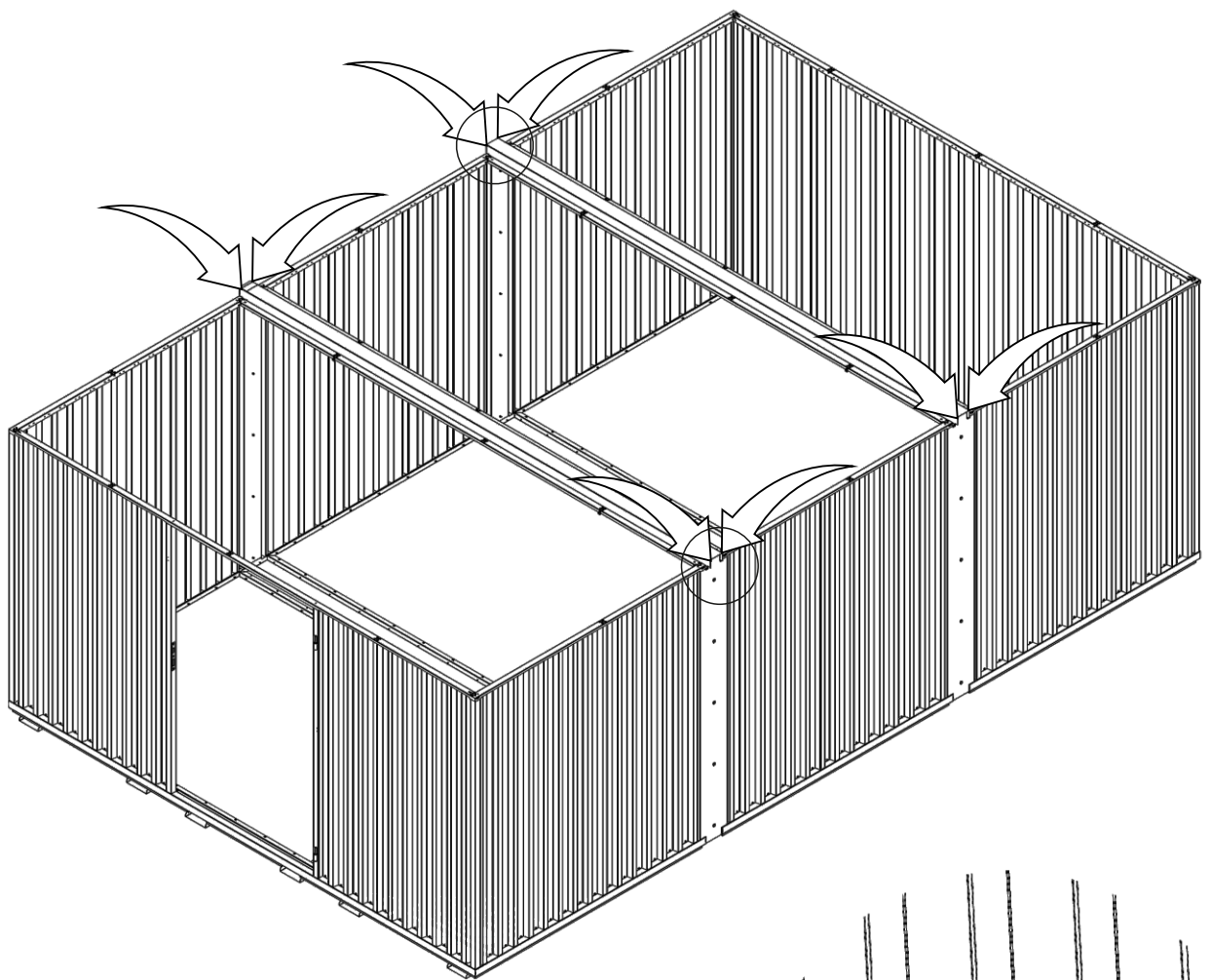
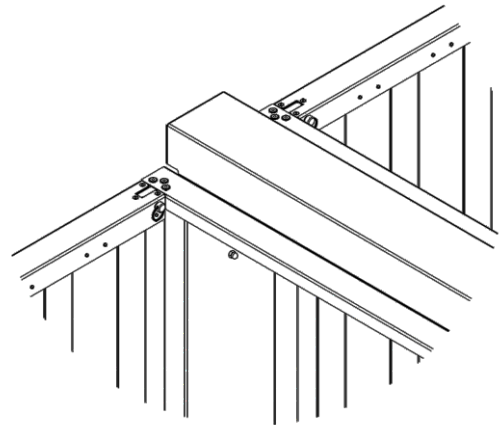
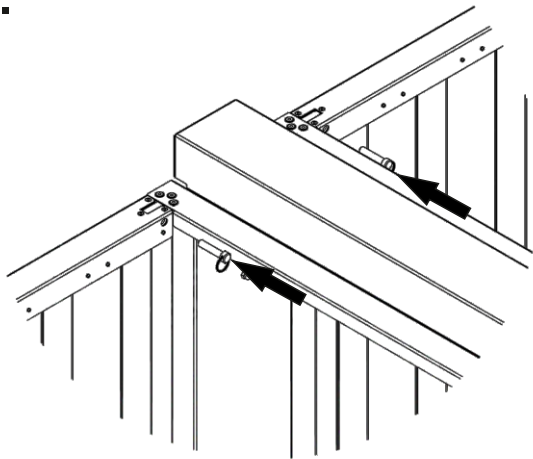
7.1.









8.1.

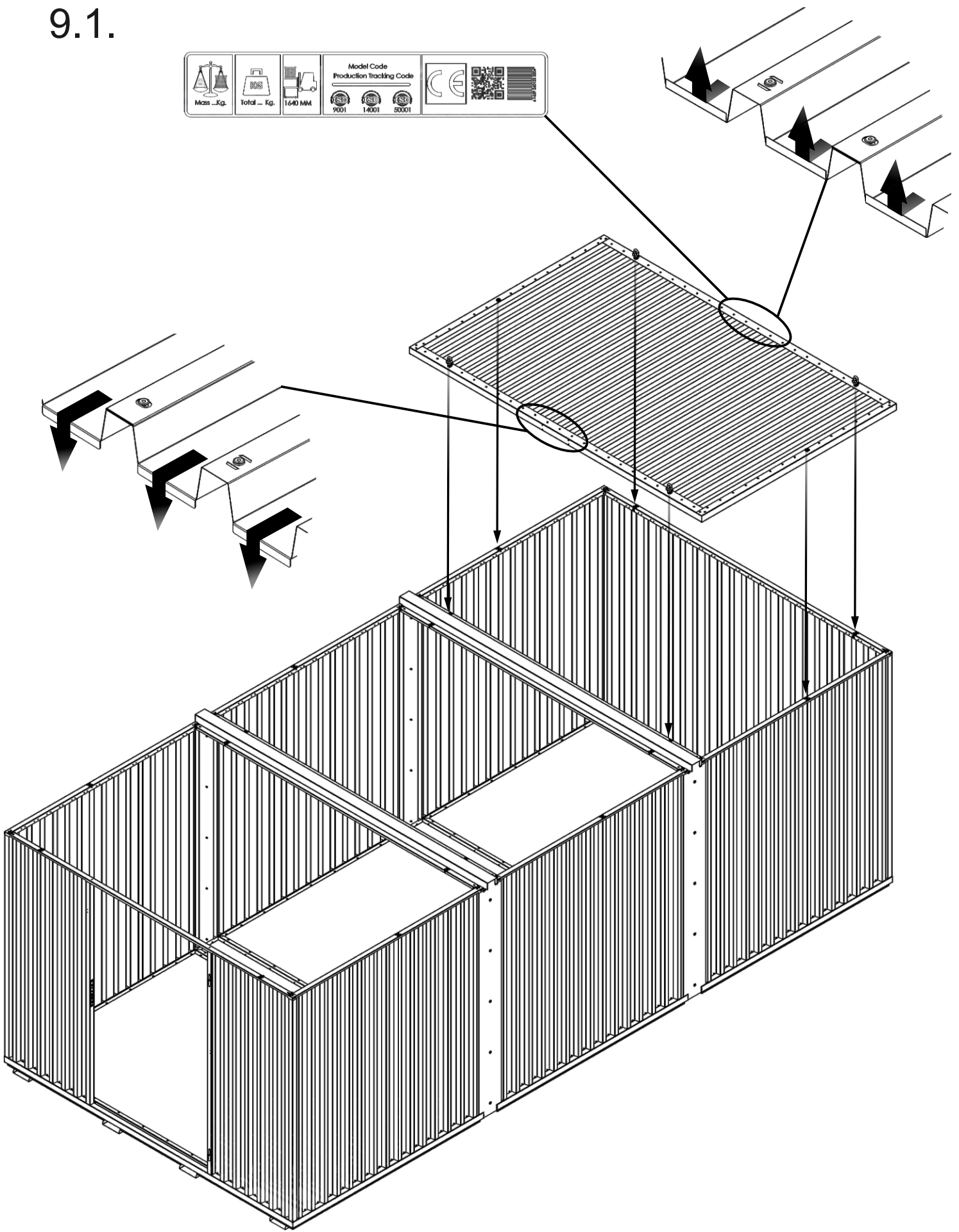


8.2.

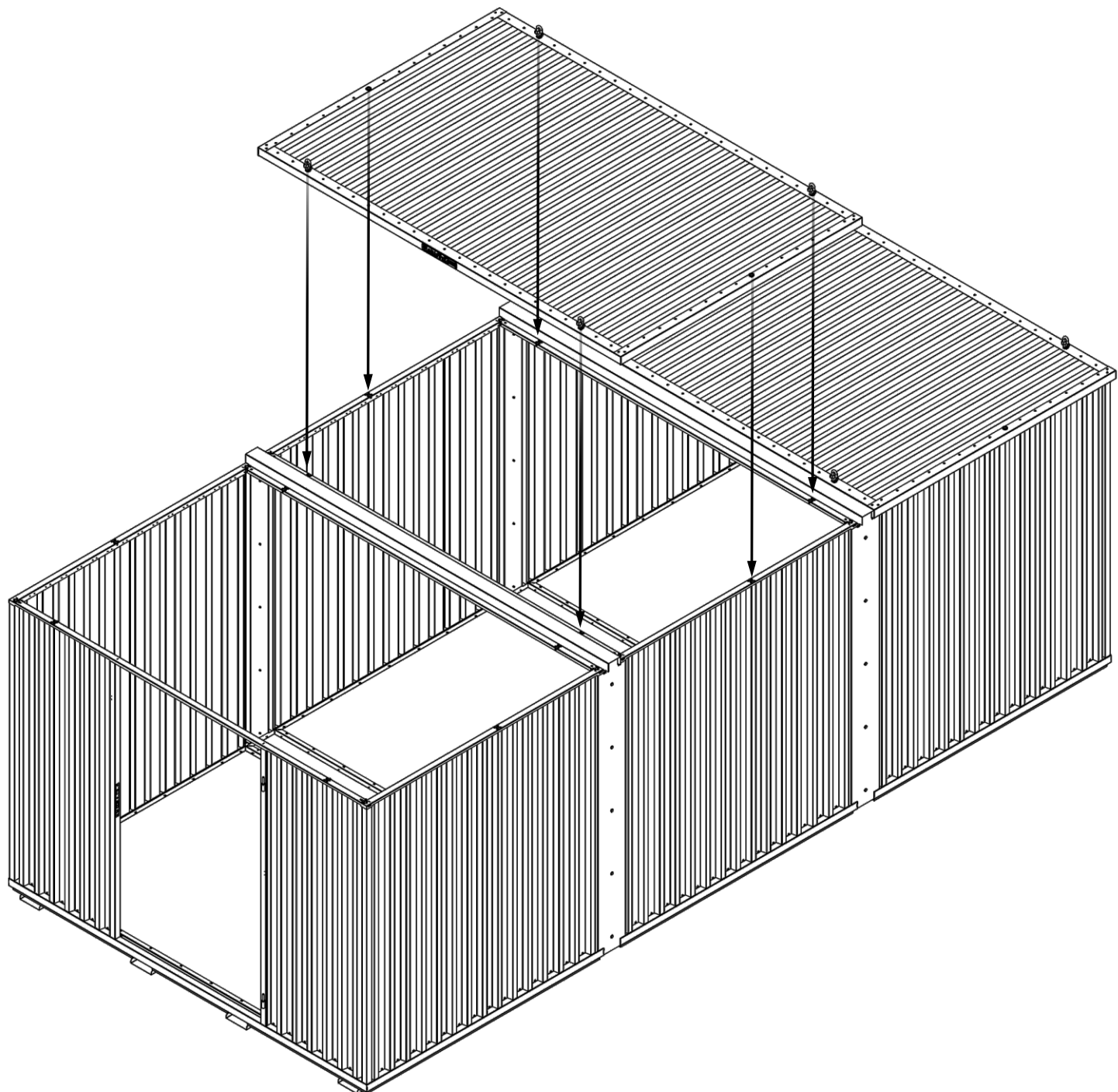


# 9.1.

 Mass ...Kg.	 Total ... Kg.	 1640 MM	Model Code Production Tracking Code   		
--	--	--	---	---	---

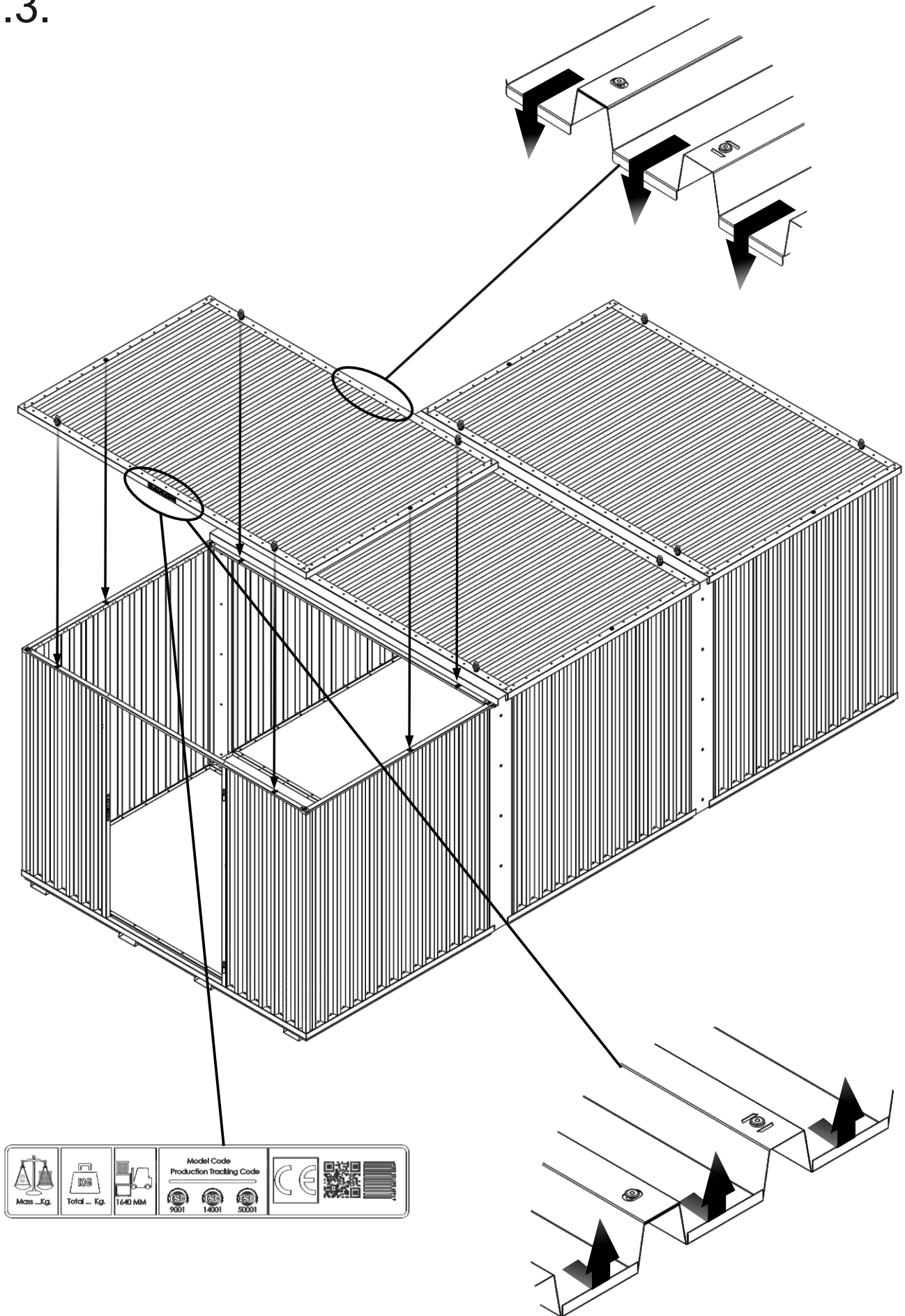


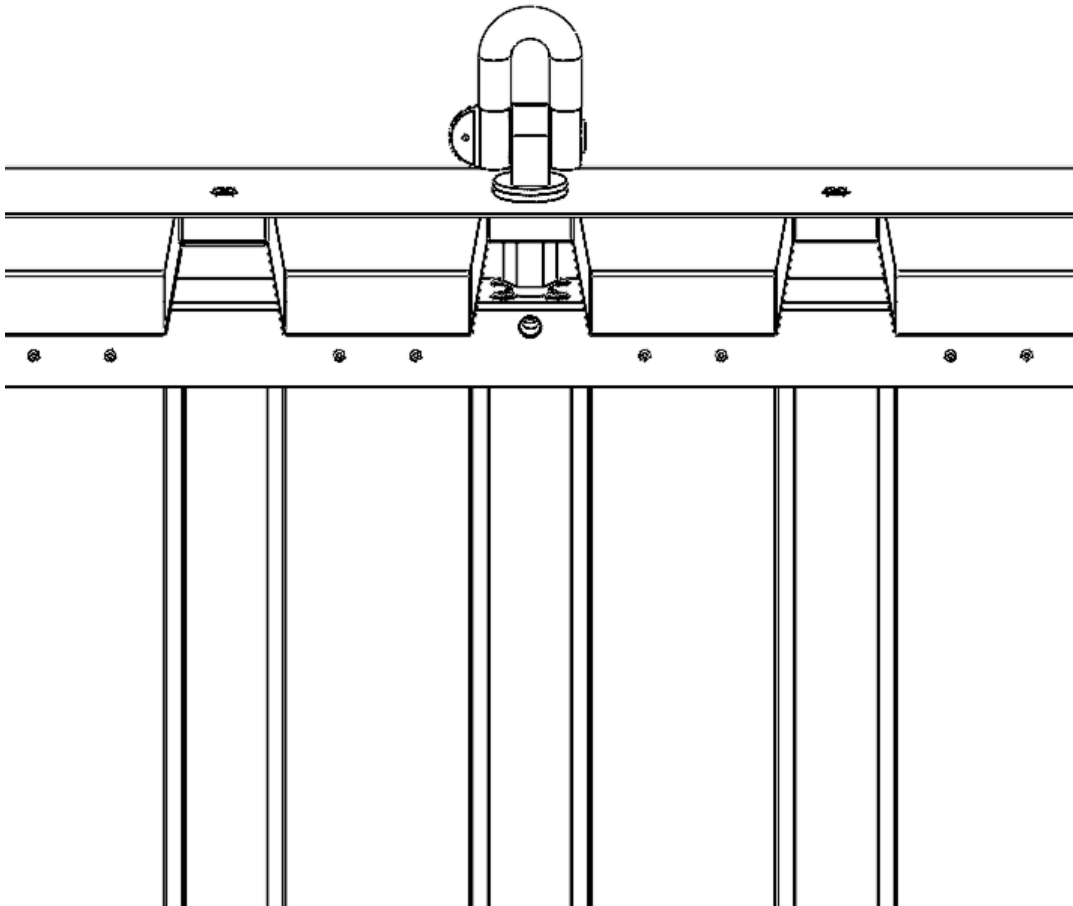
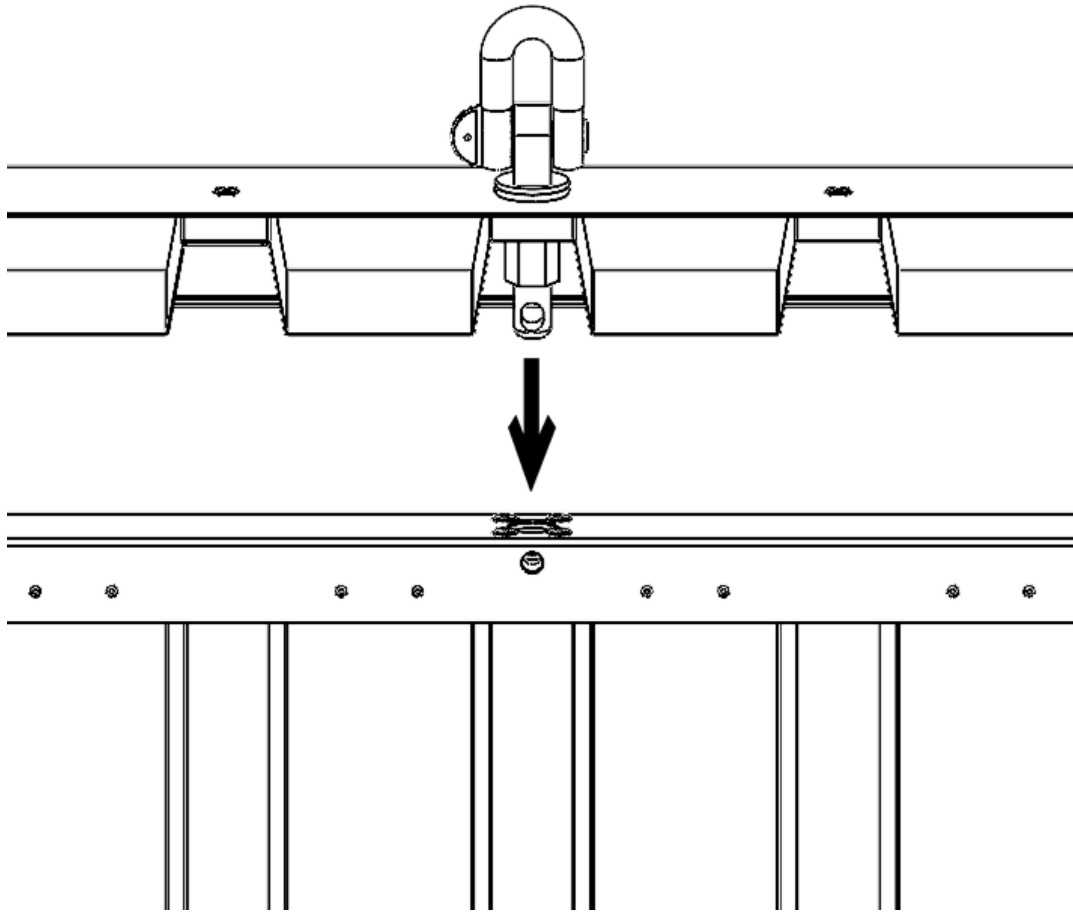
9.2.





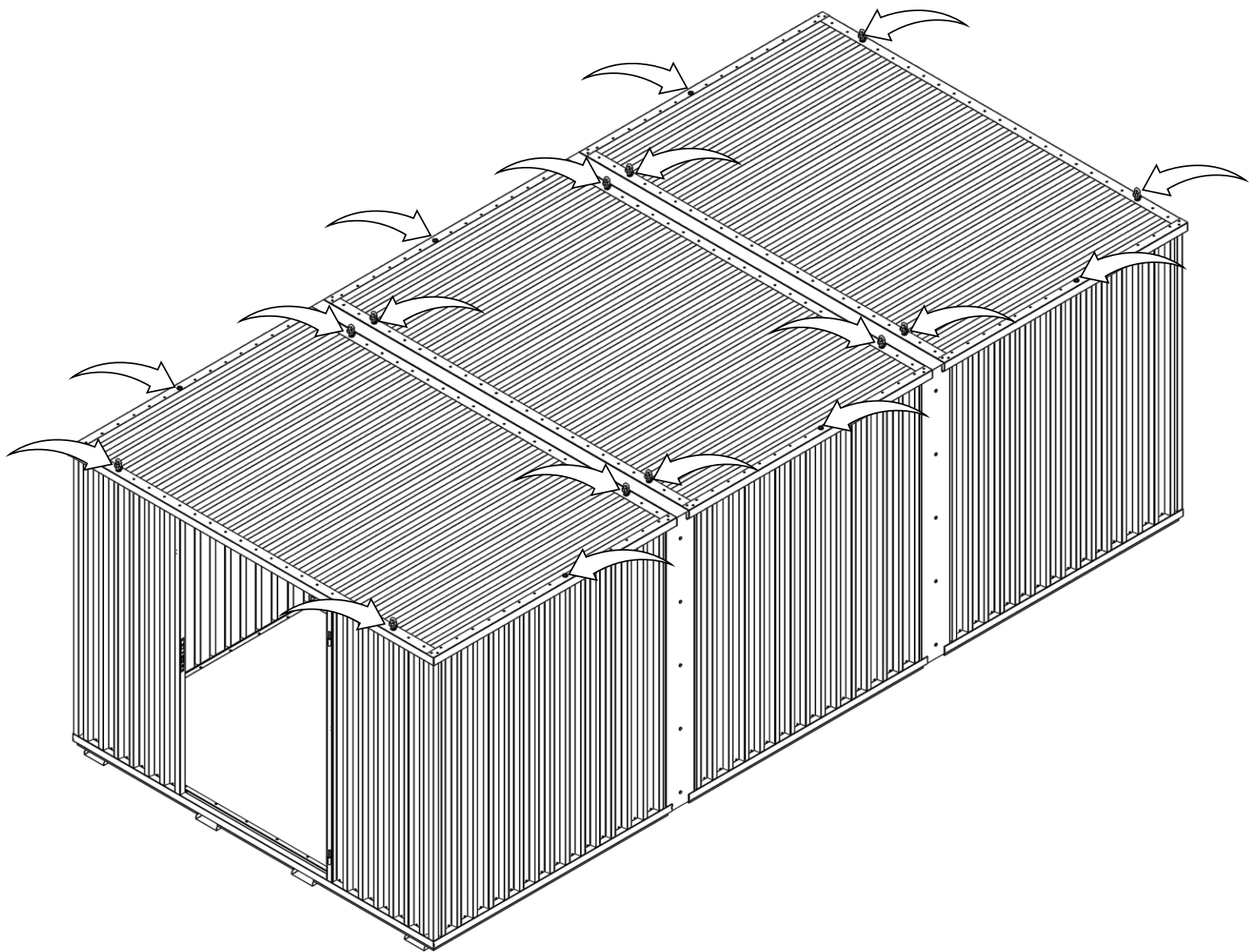
# 9.3.

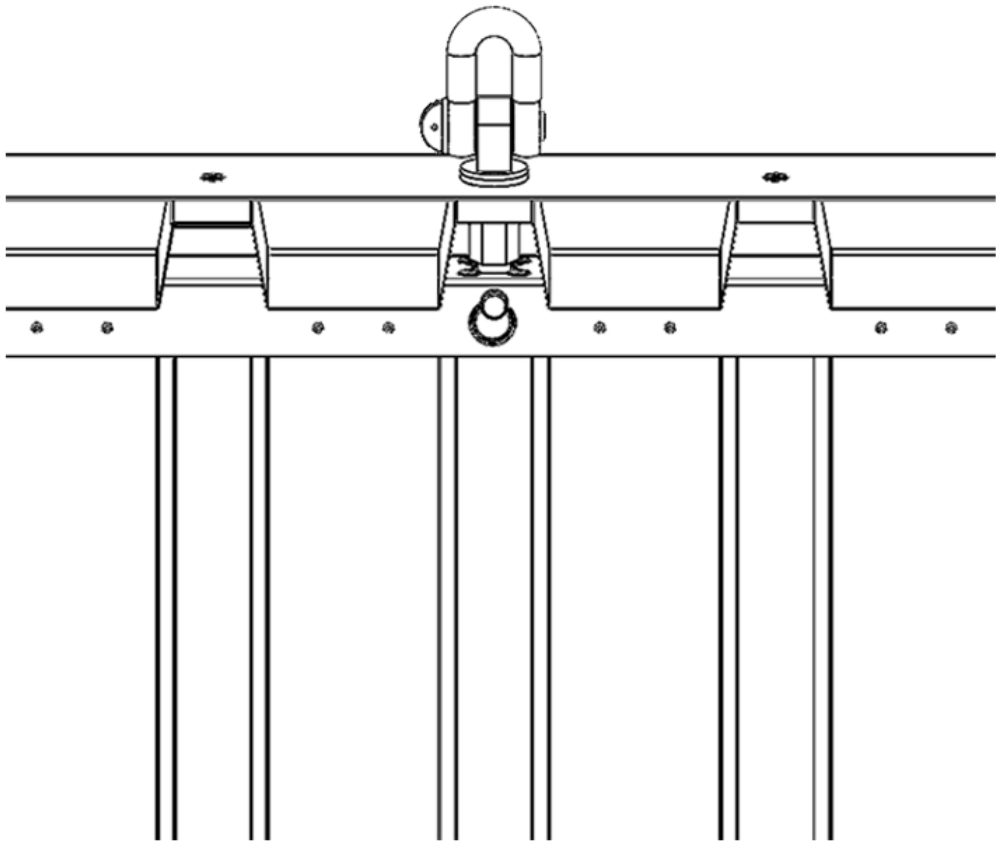
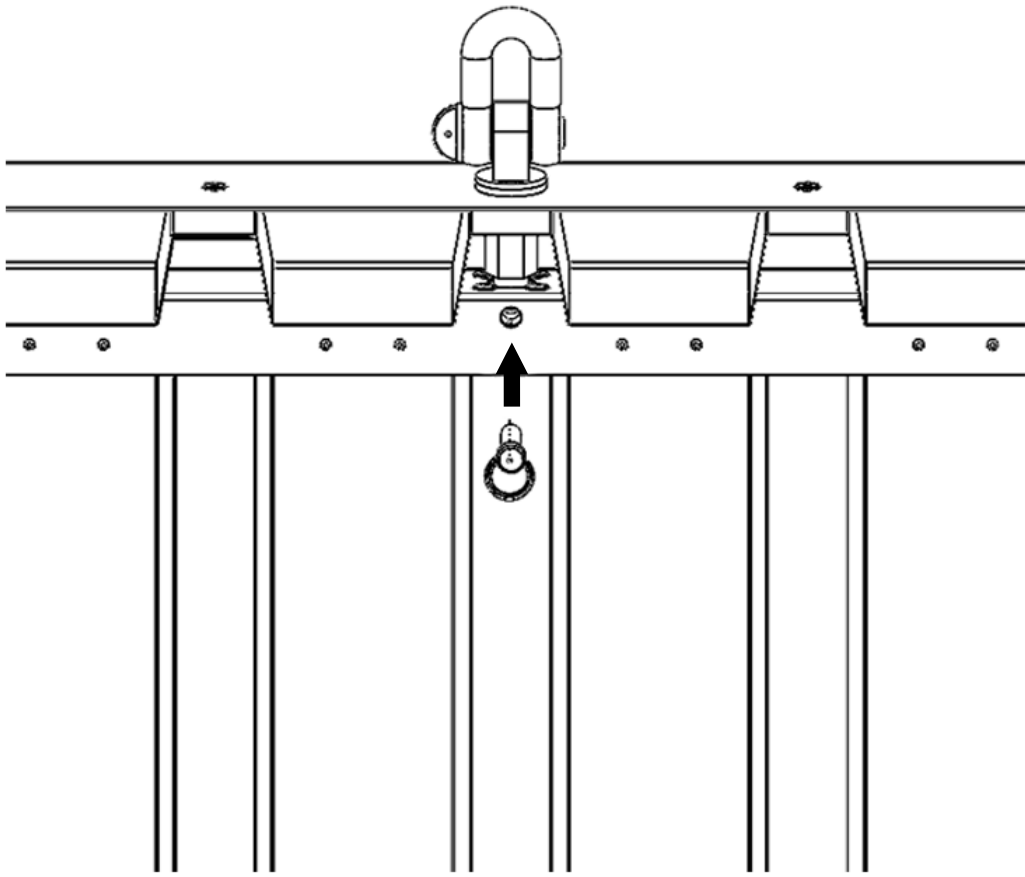




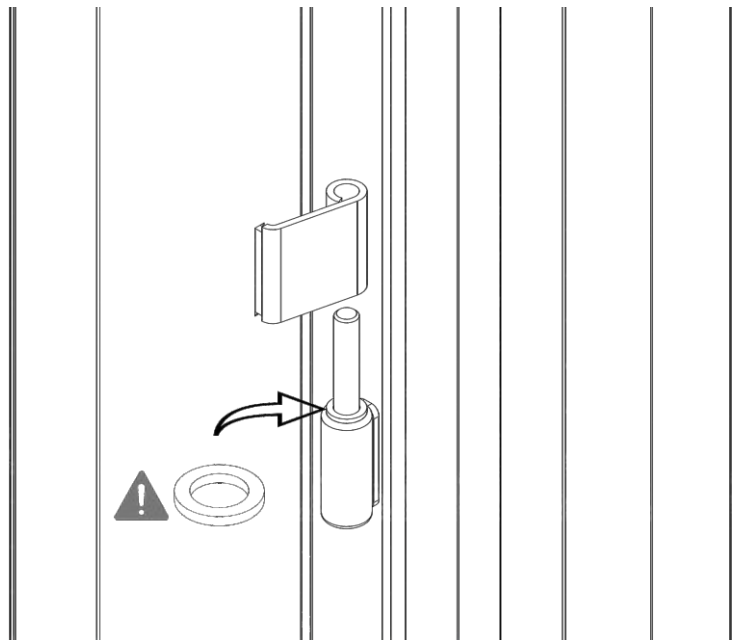
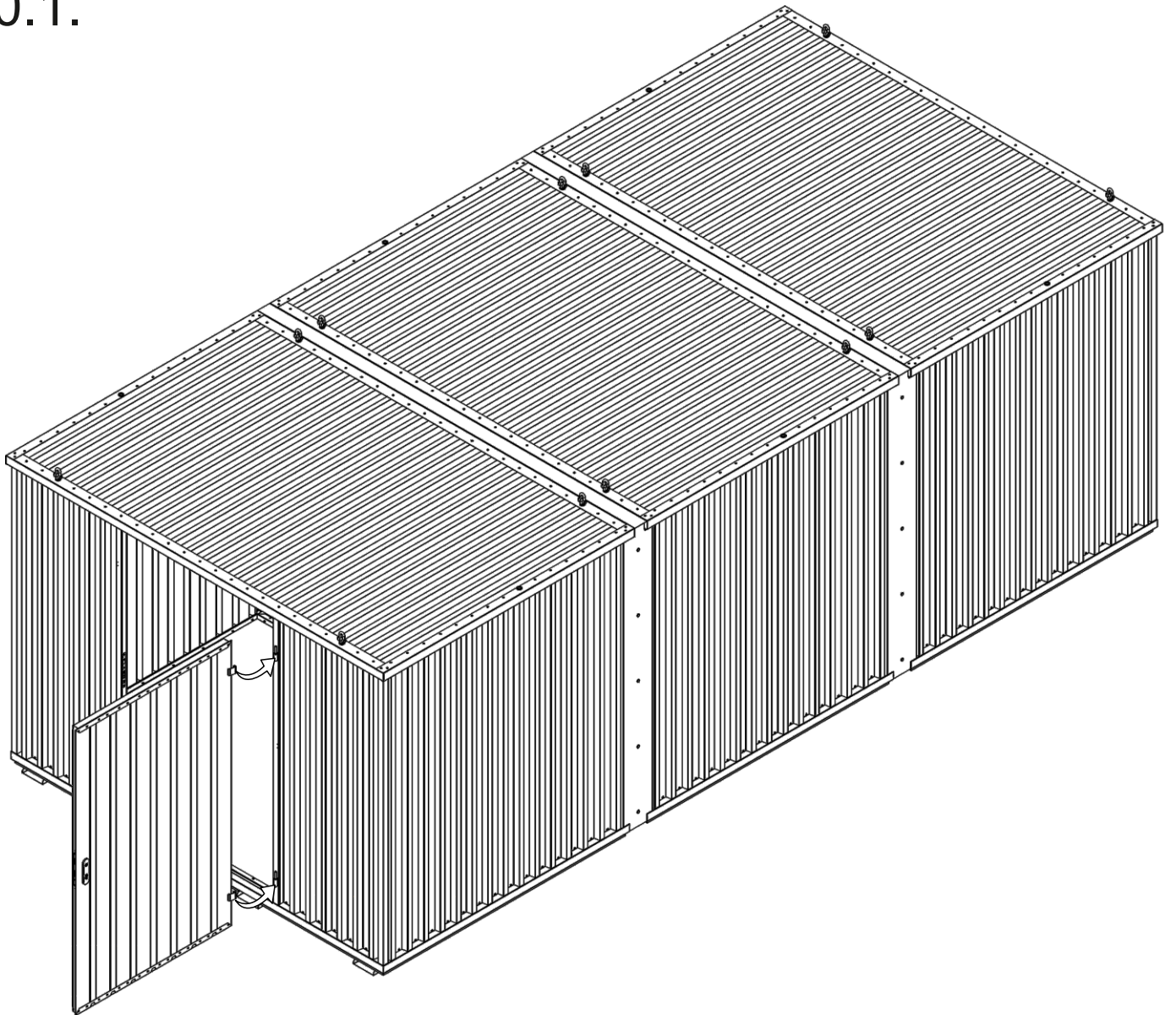


9.4.

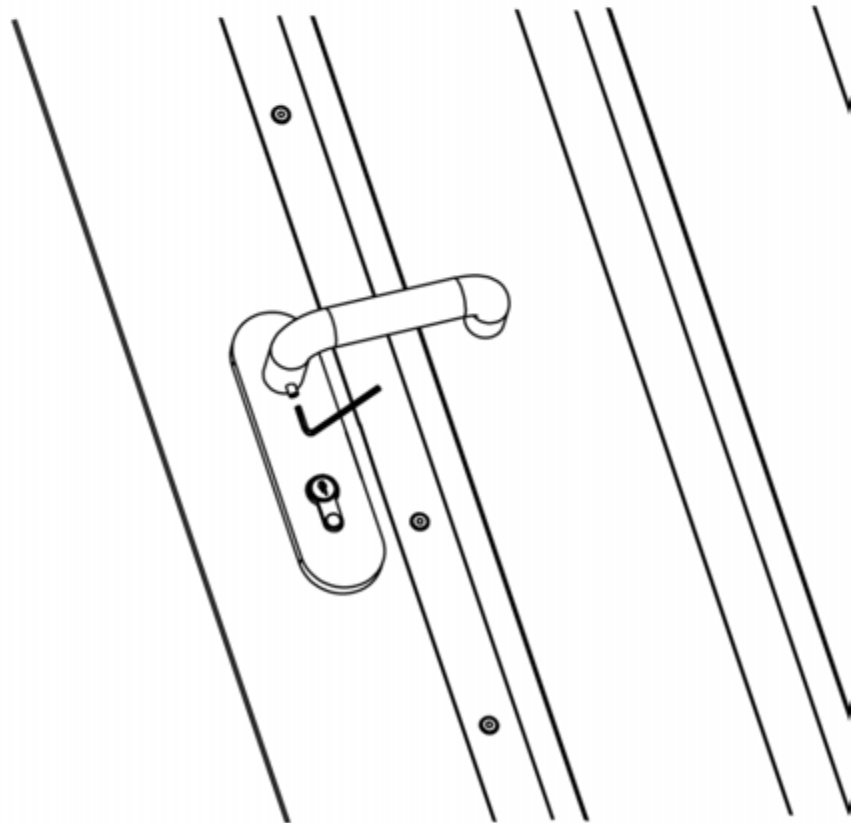
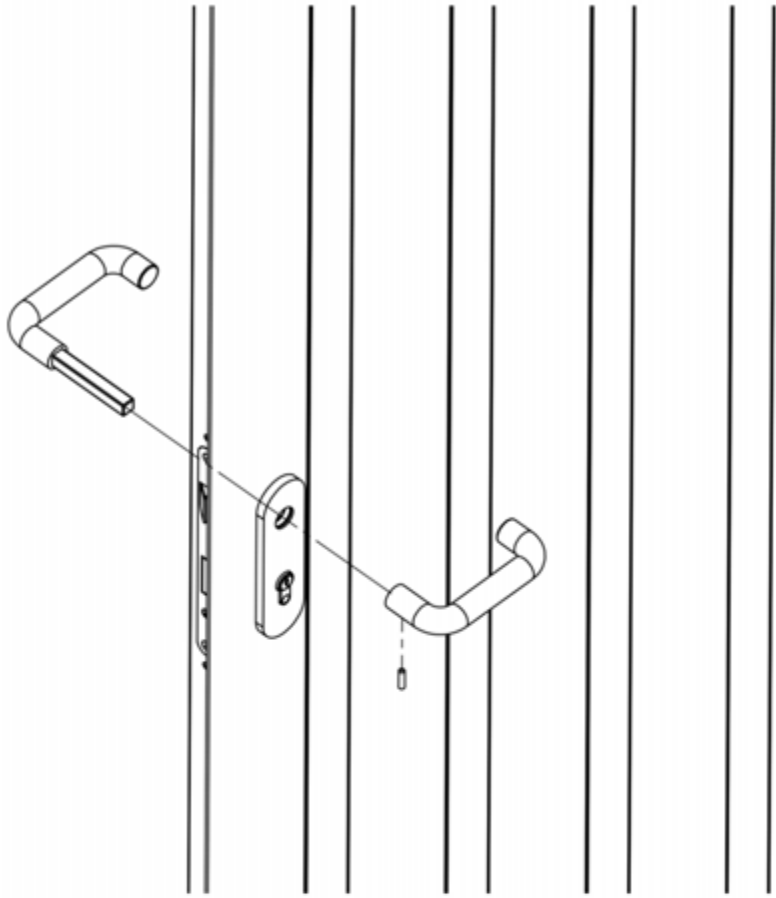




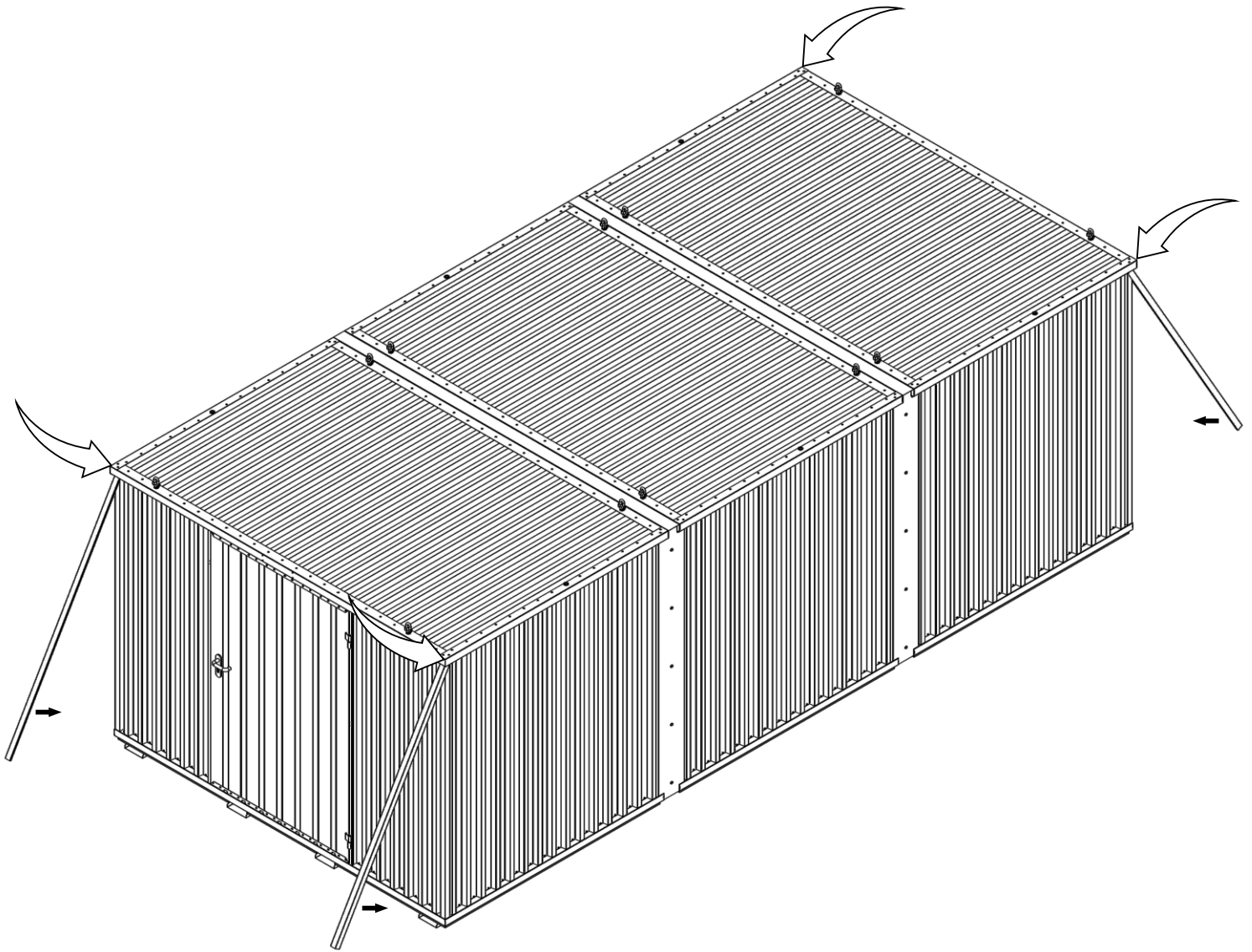
10.1.



10.2.



11.1.





12.1.

