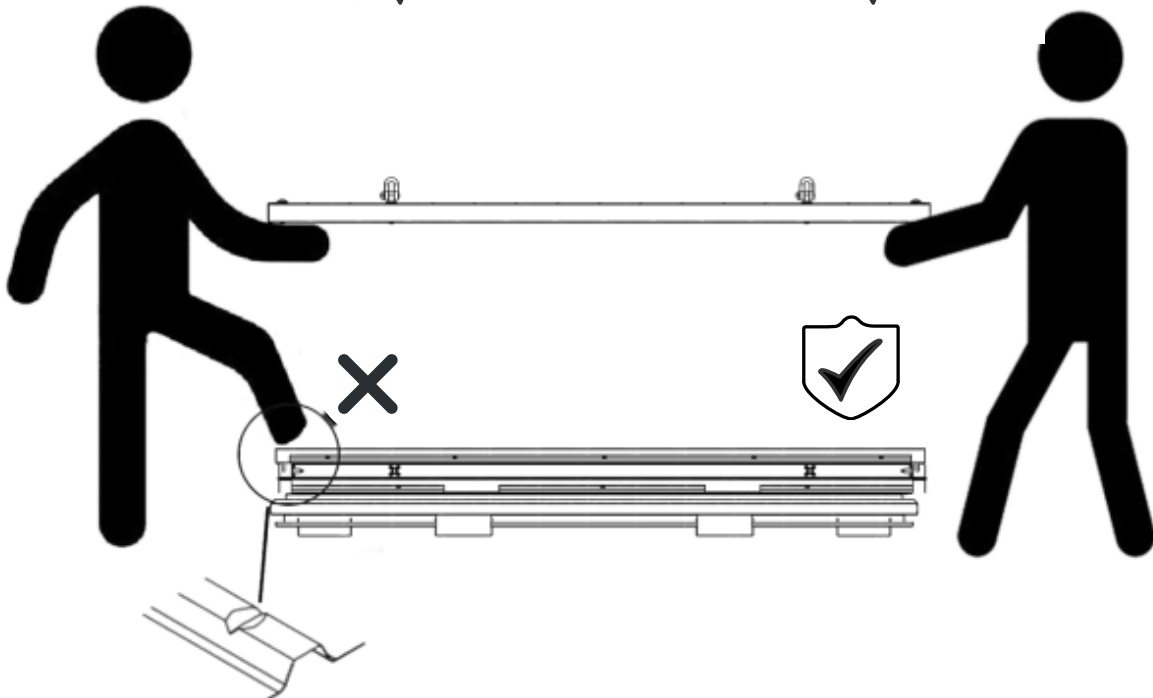
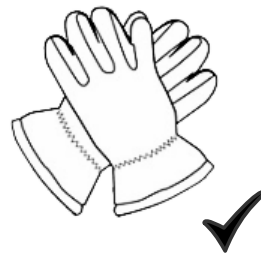
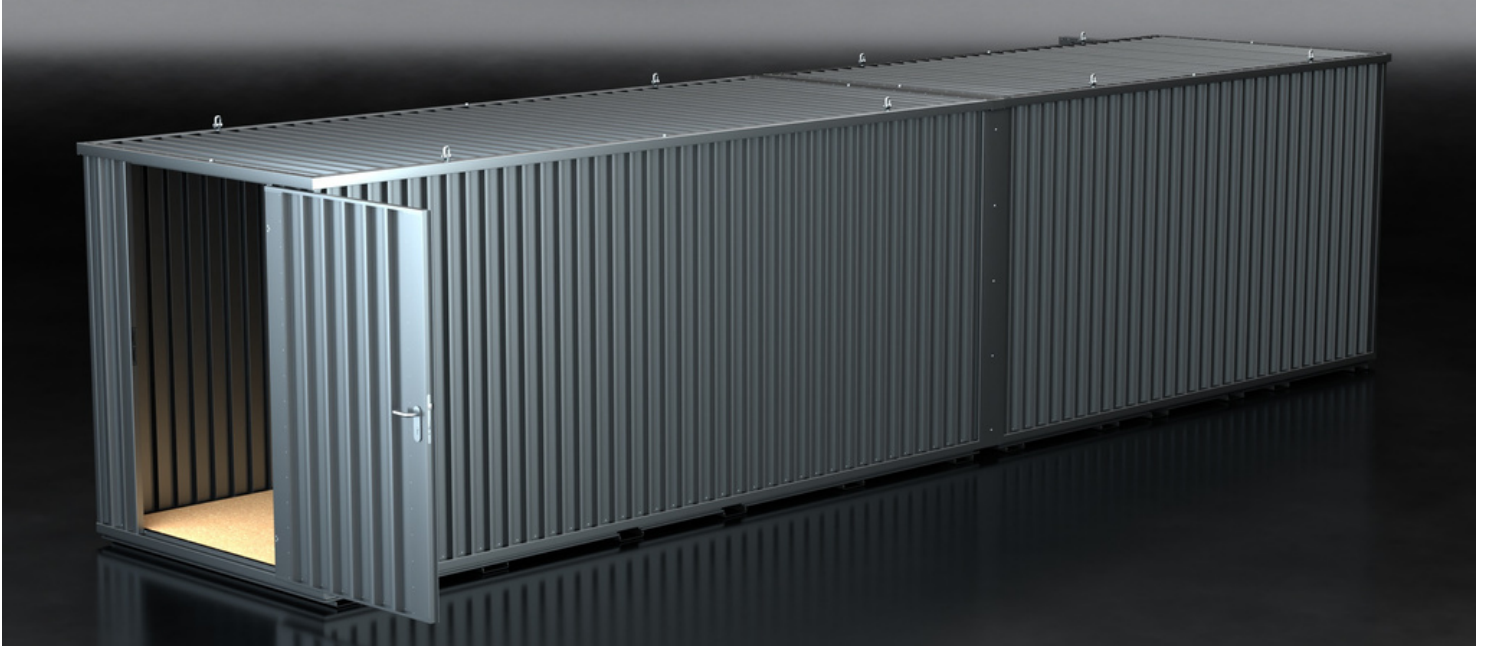


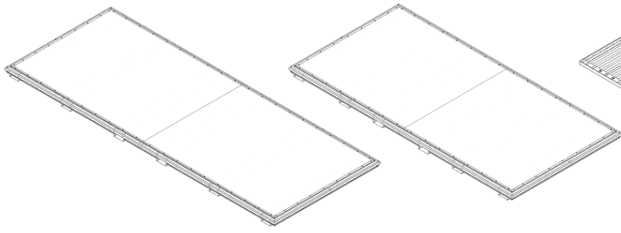
PRODUCT CODE:5040.110.320.321

**prefabase**  
Quick Build Solutions

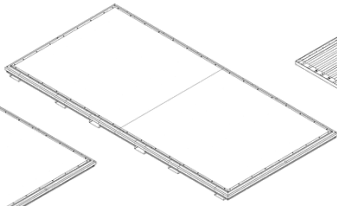
Instructions and User Guide



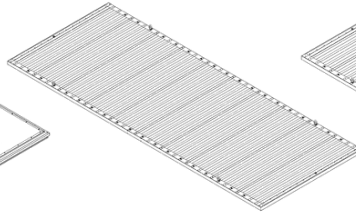
50.0110  
1x



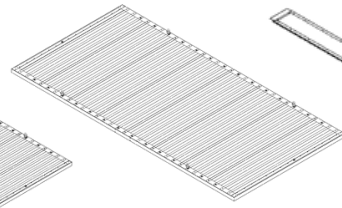
40.0110  
1x



50.0510  
1x



40.0510  
1x



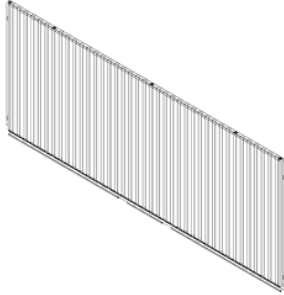
306.0110  
1x



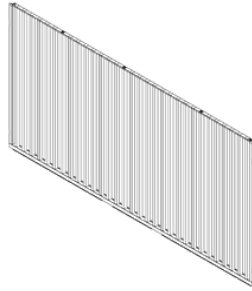
306.0510  
1x



50.0410  
2x



40.0410  
2x



0320  
2x



306.40.05  
2x



306.40.04  
2x



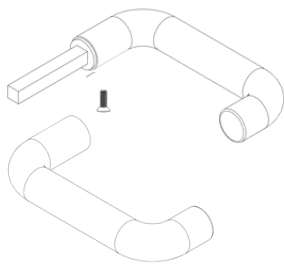
61.101  
4x



24x



2x



10x



10x



10x



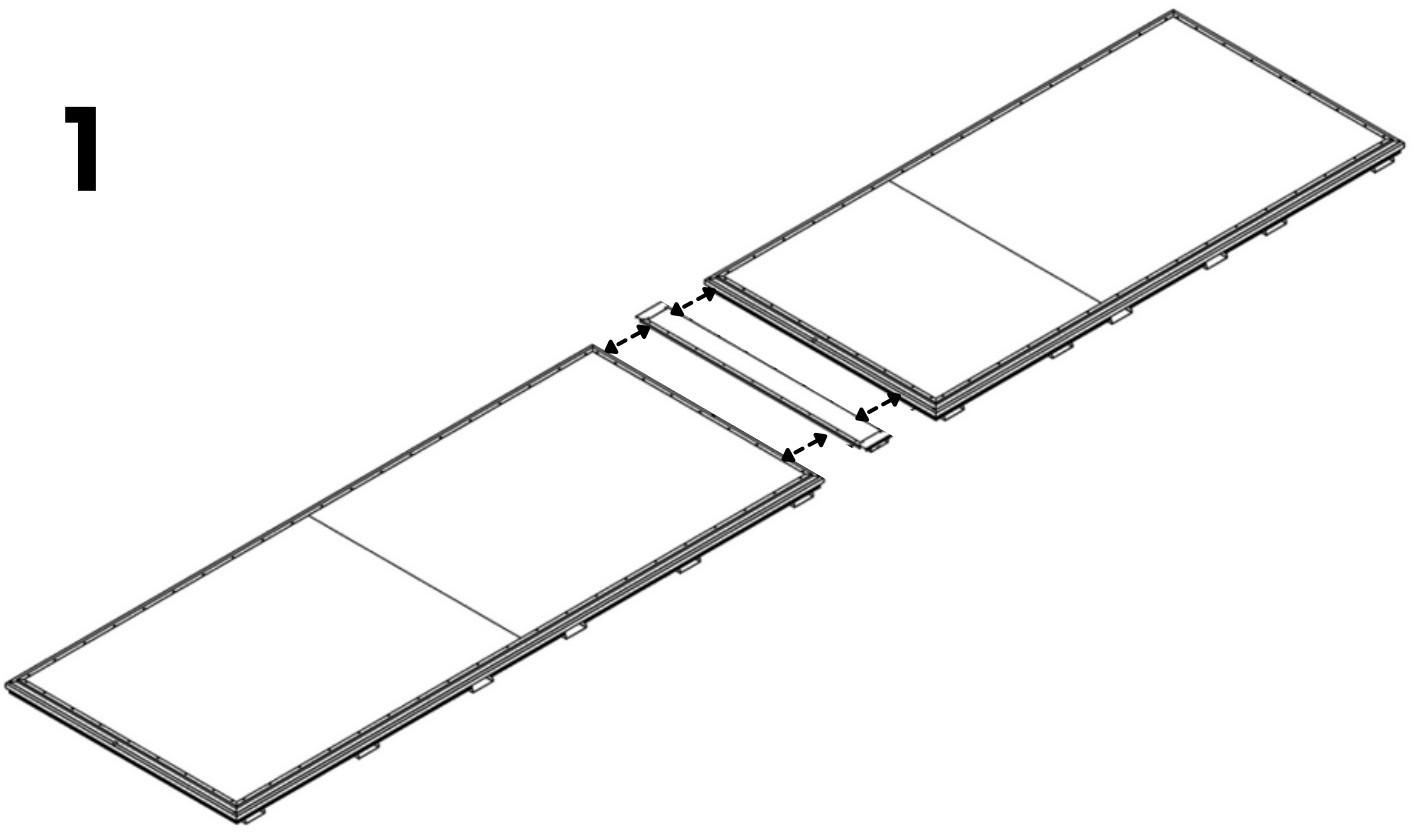
1x



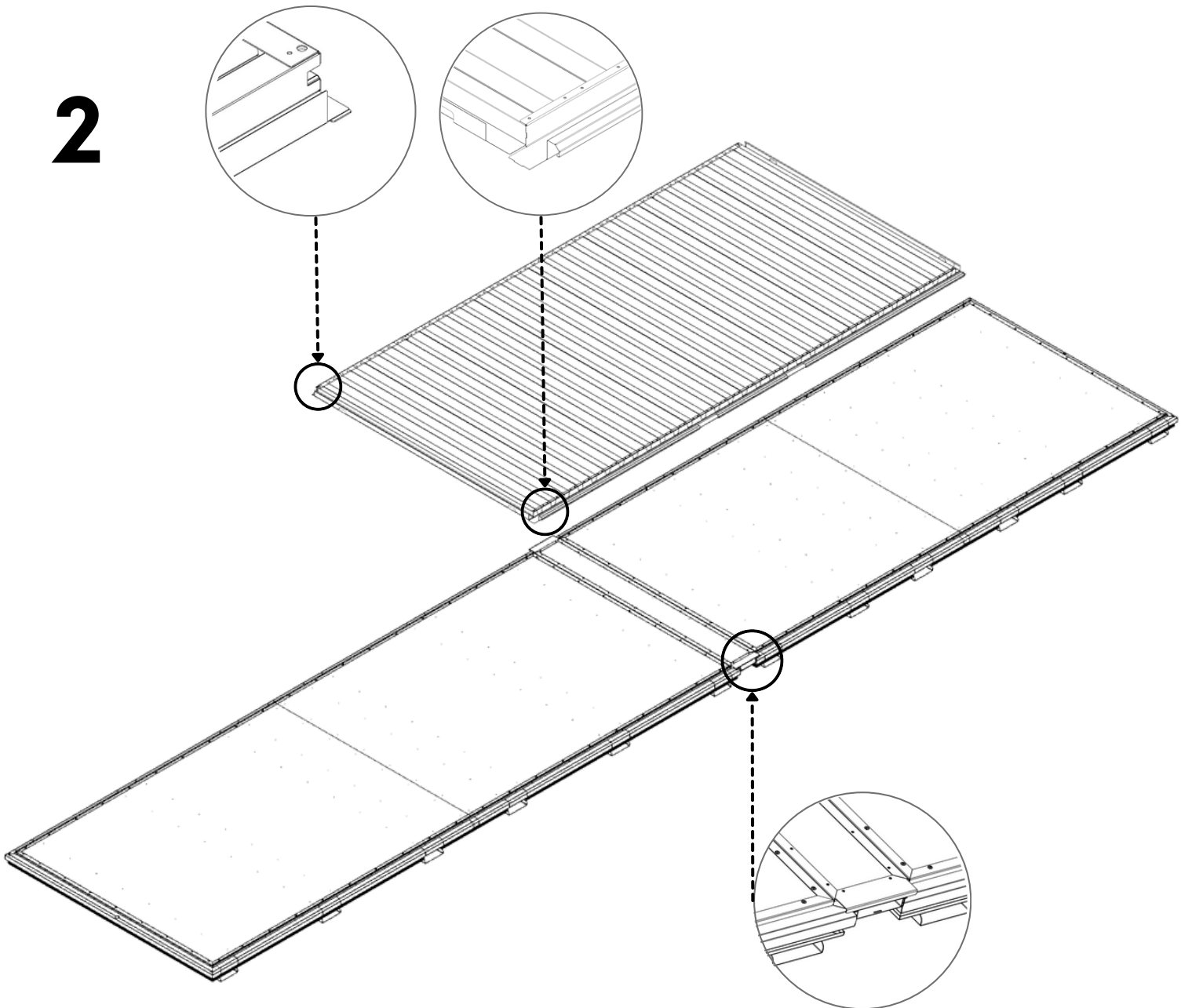
2x

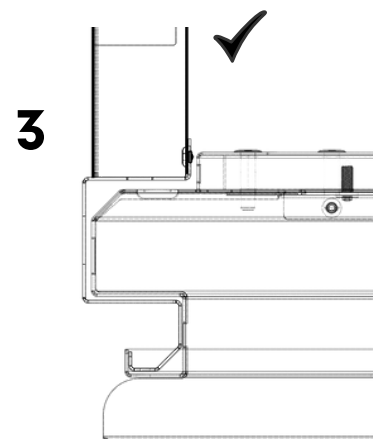
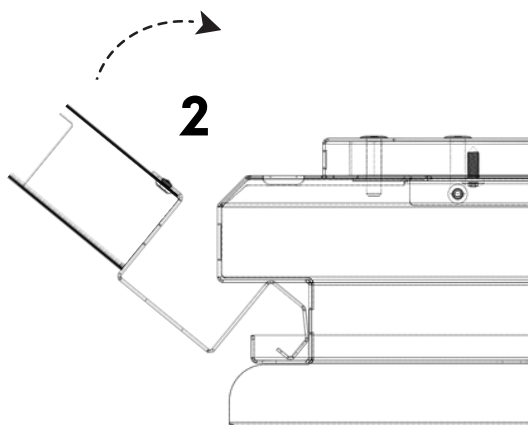
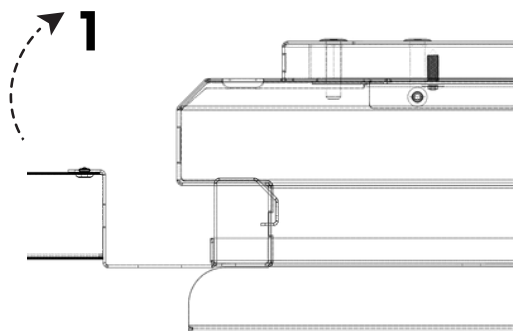


**1**

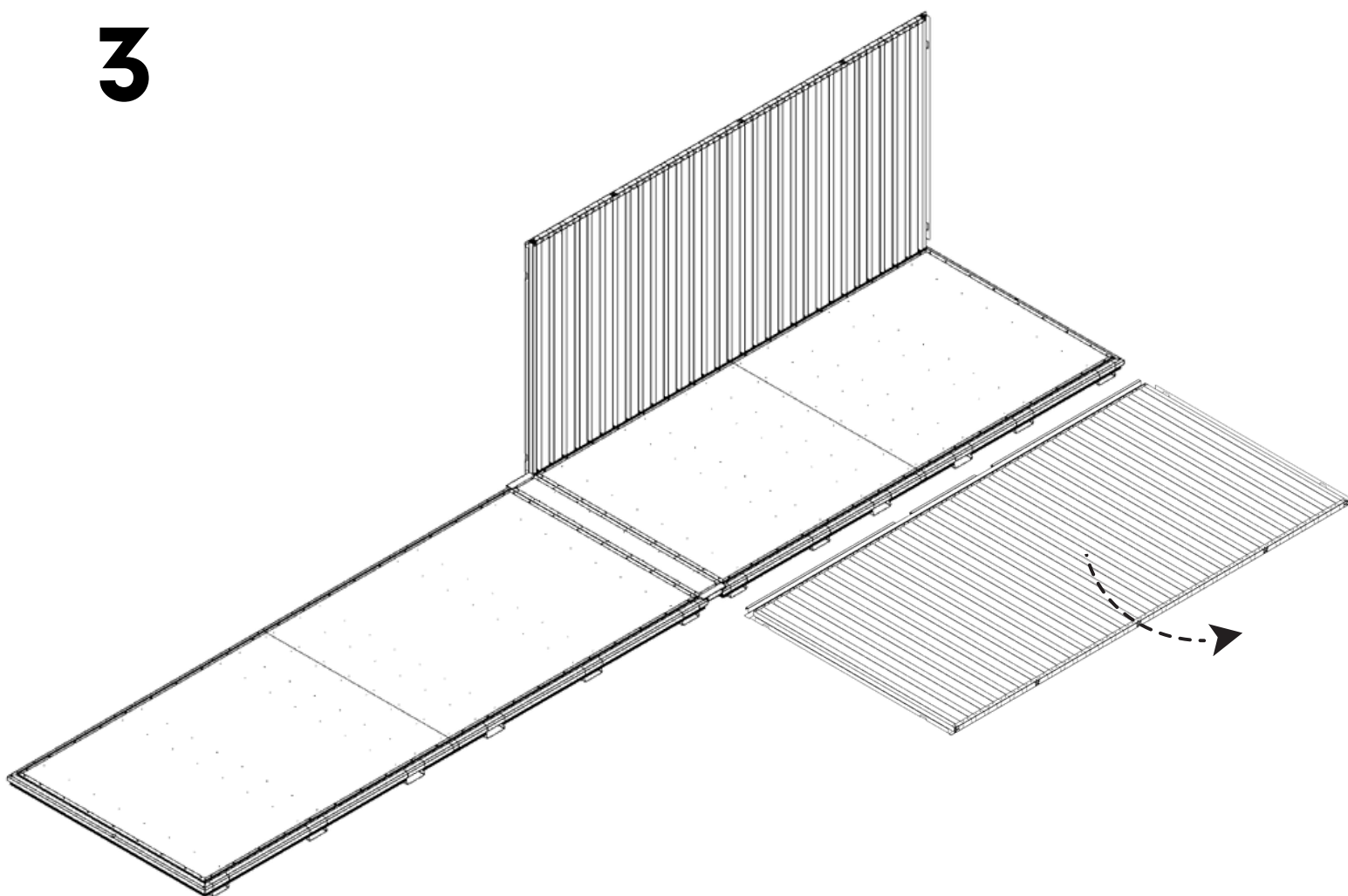


**2**

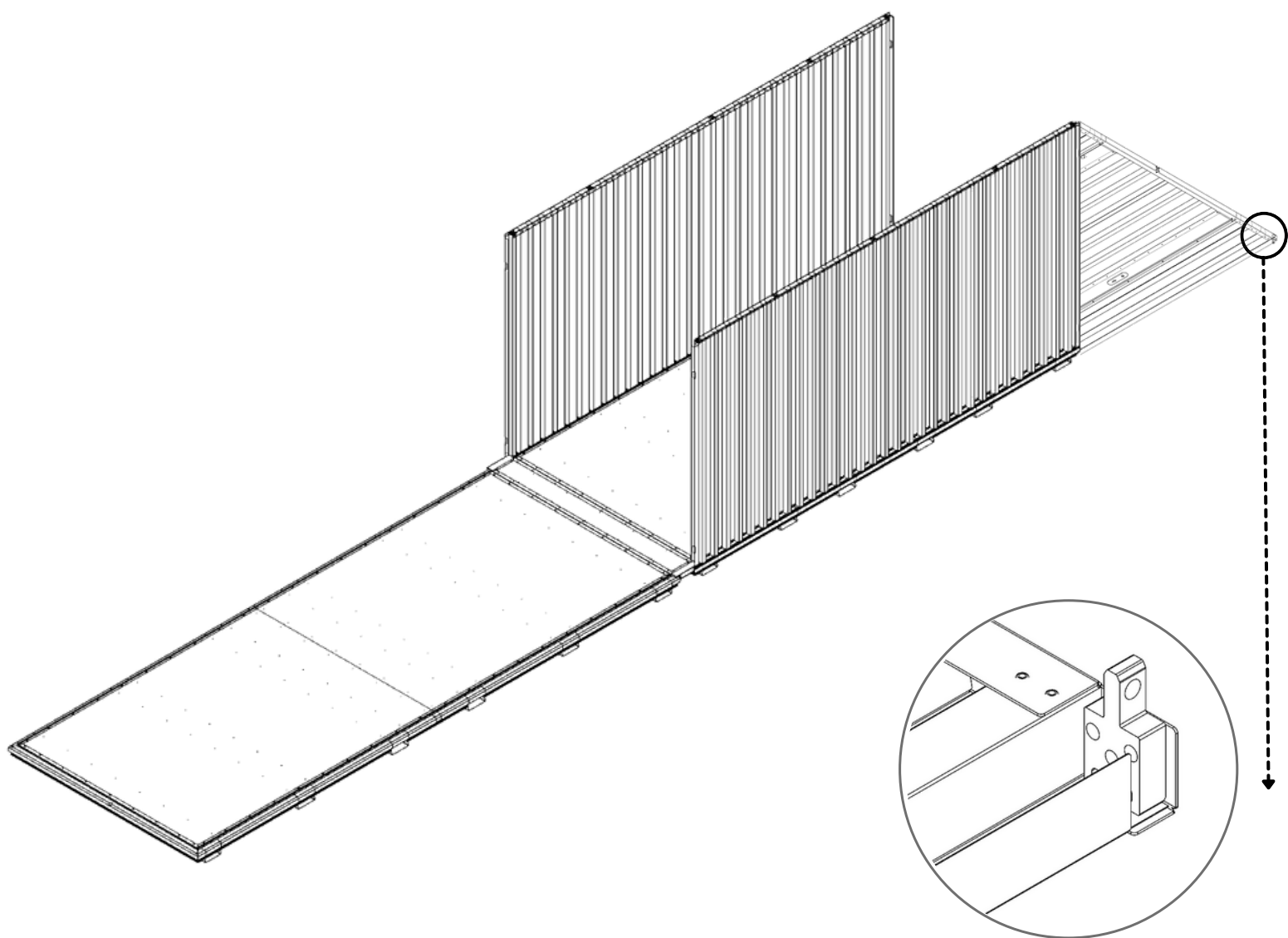




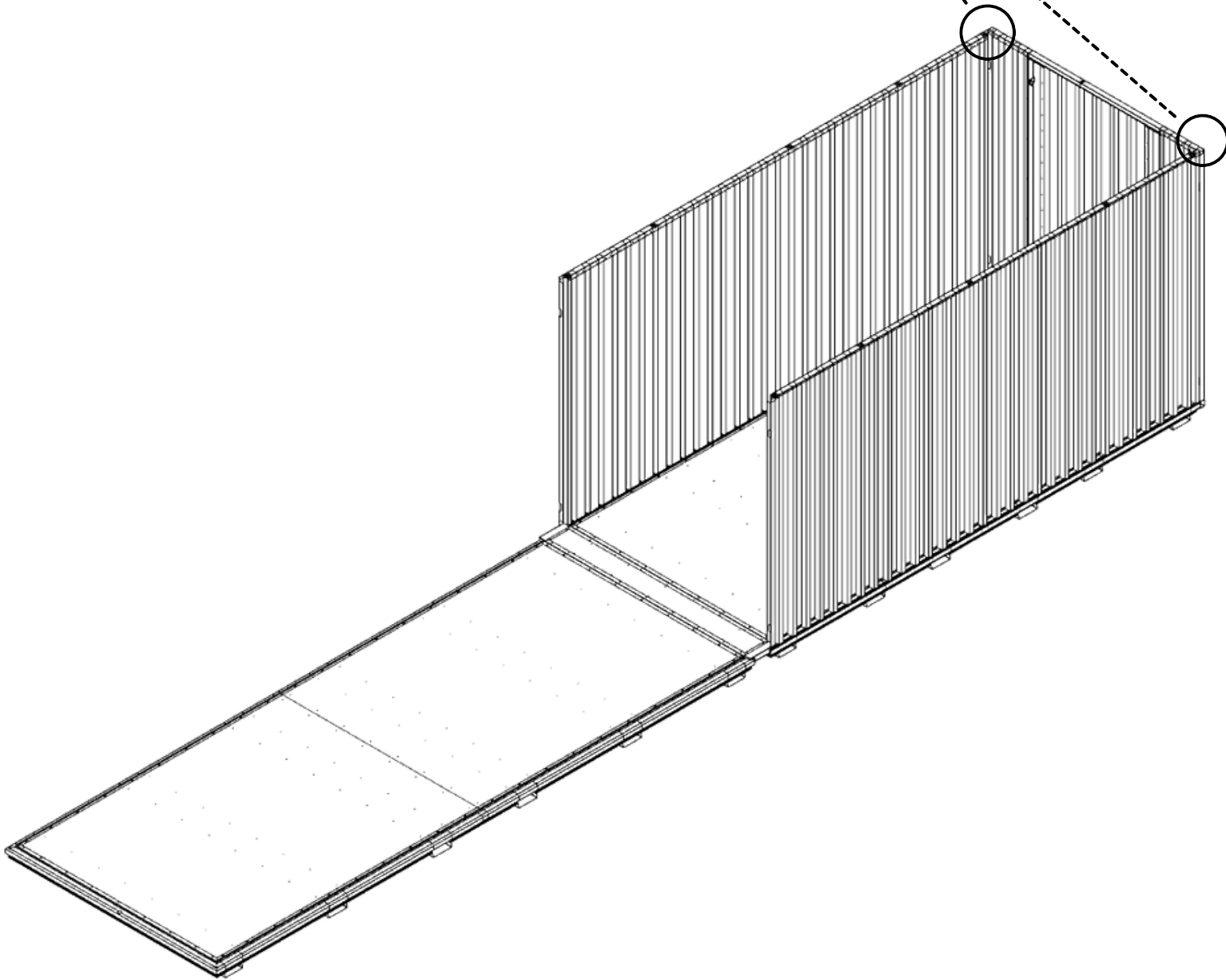
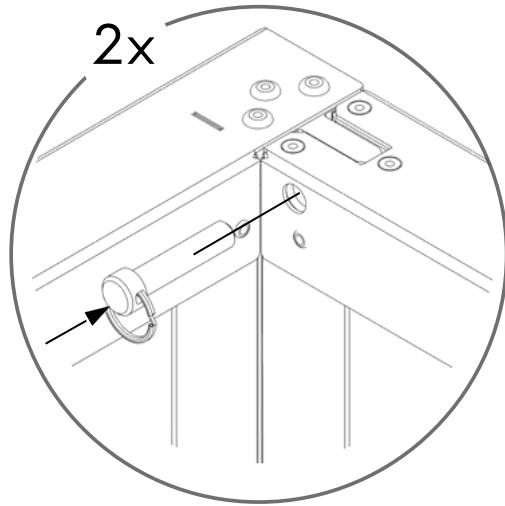
**3**



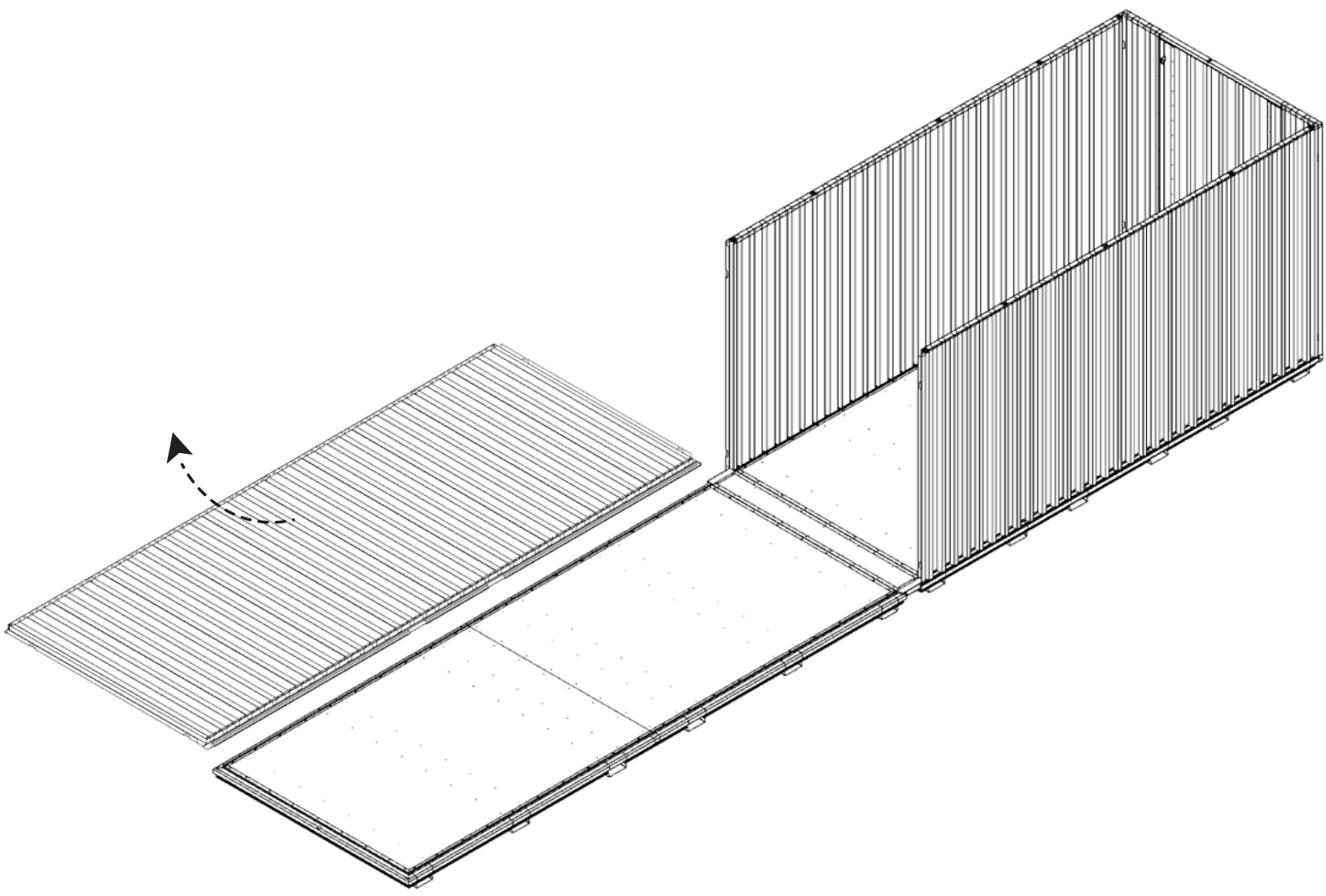
4



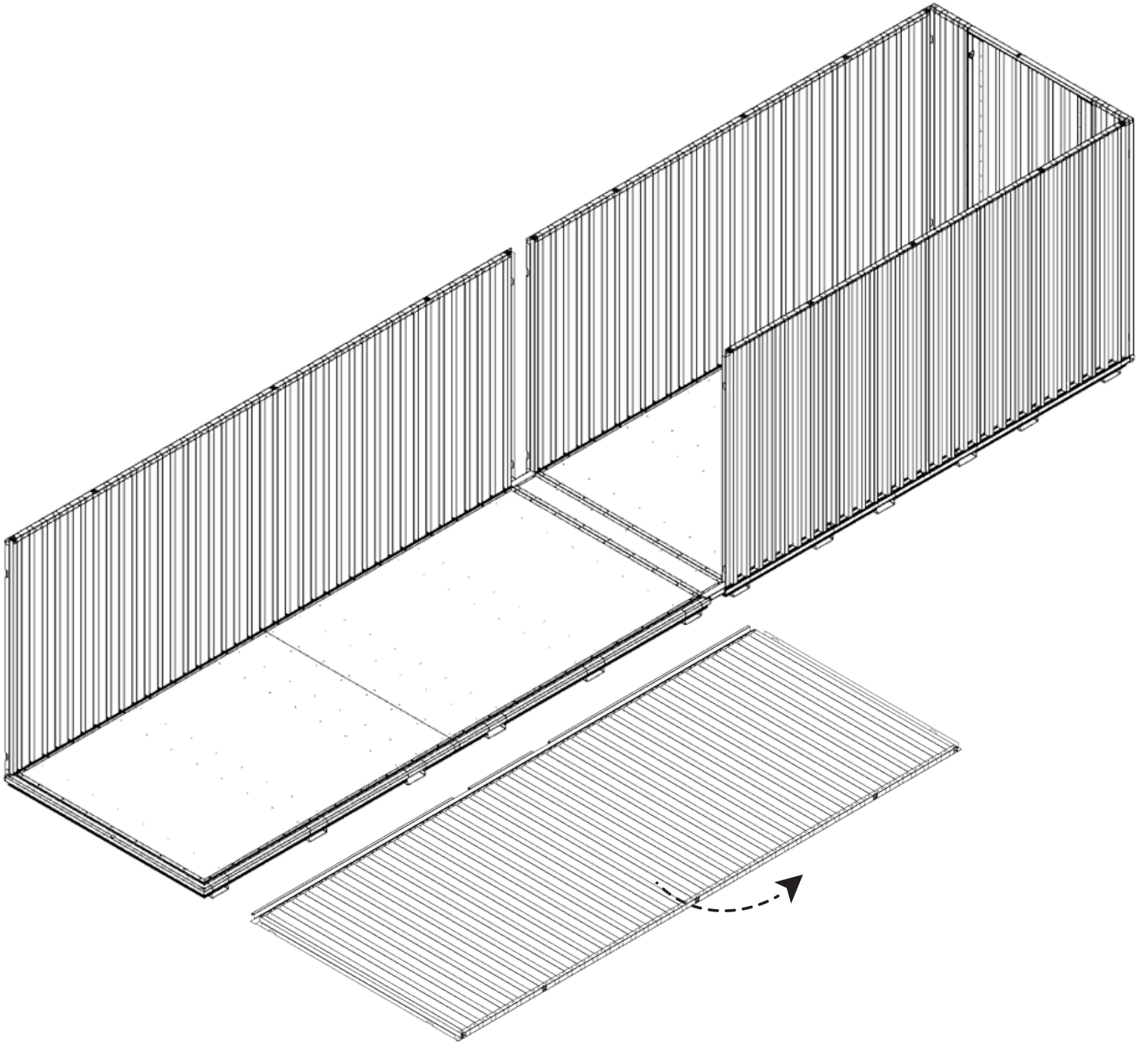
# 4.1



5

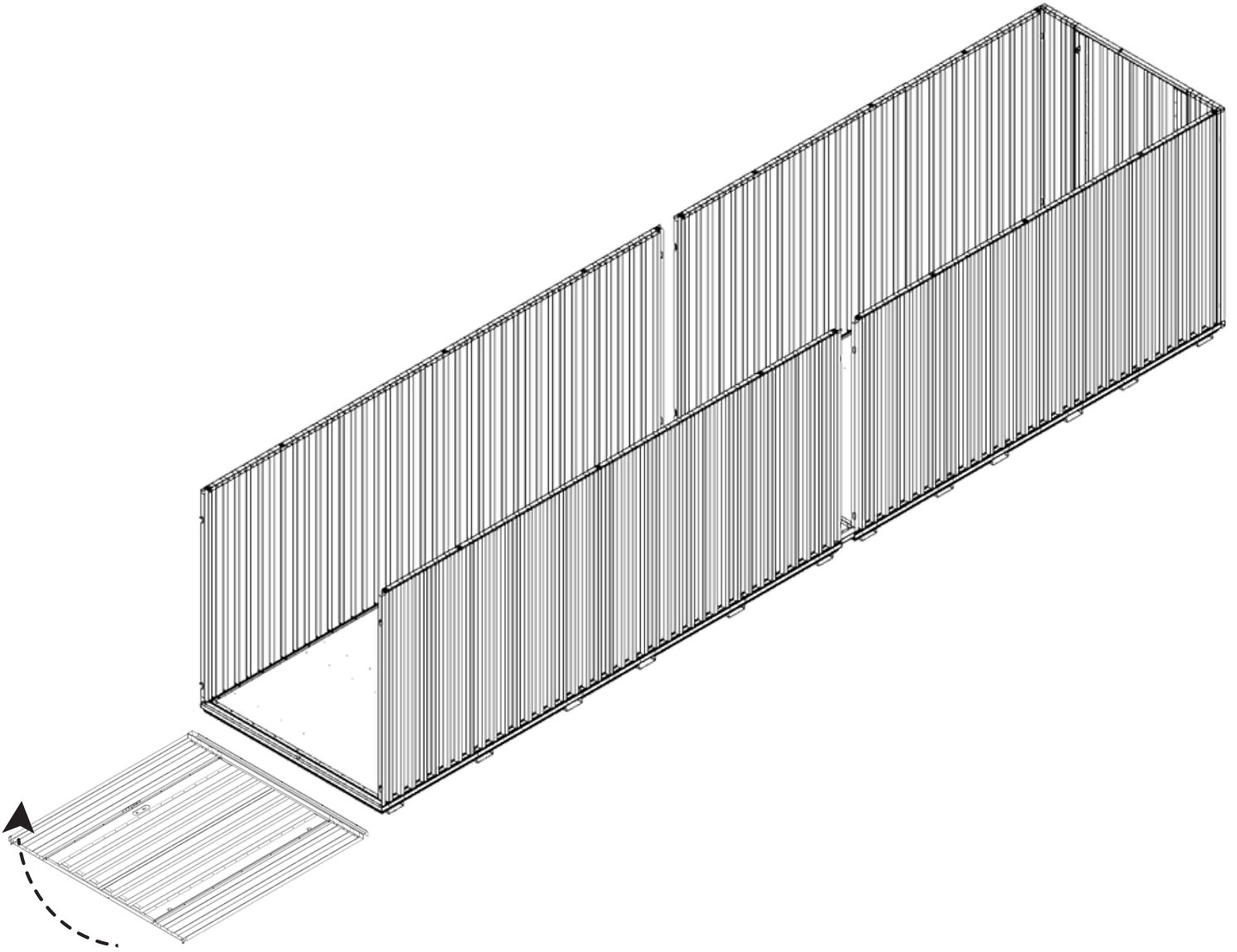


6

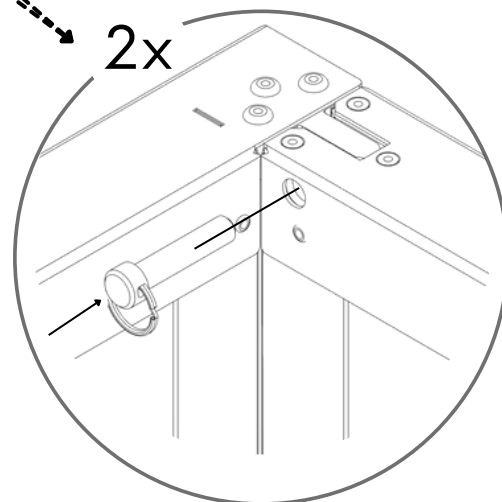
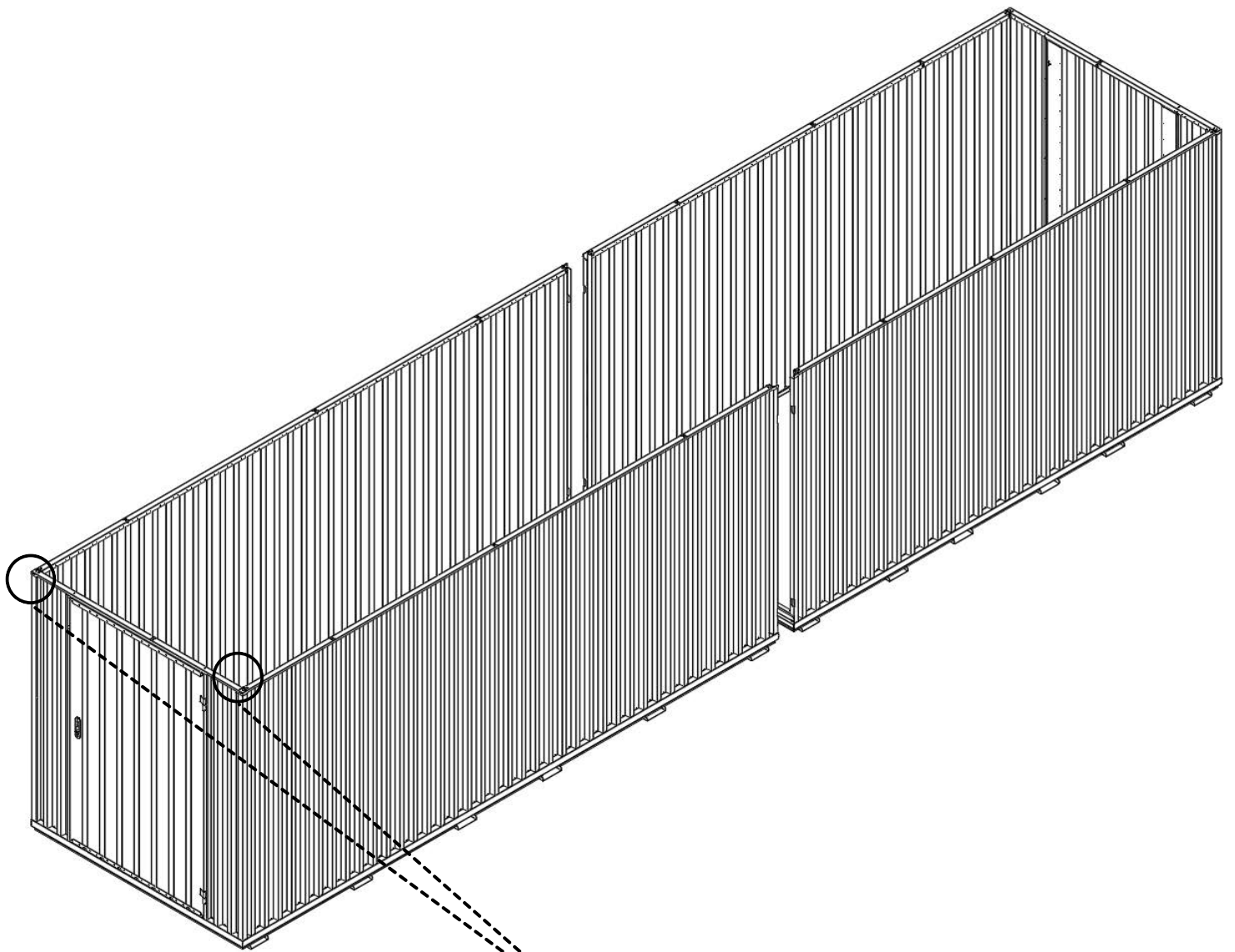




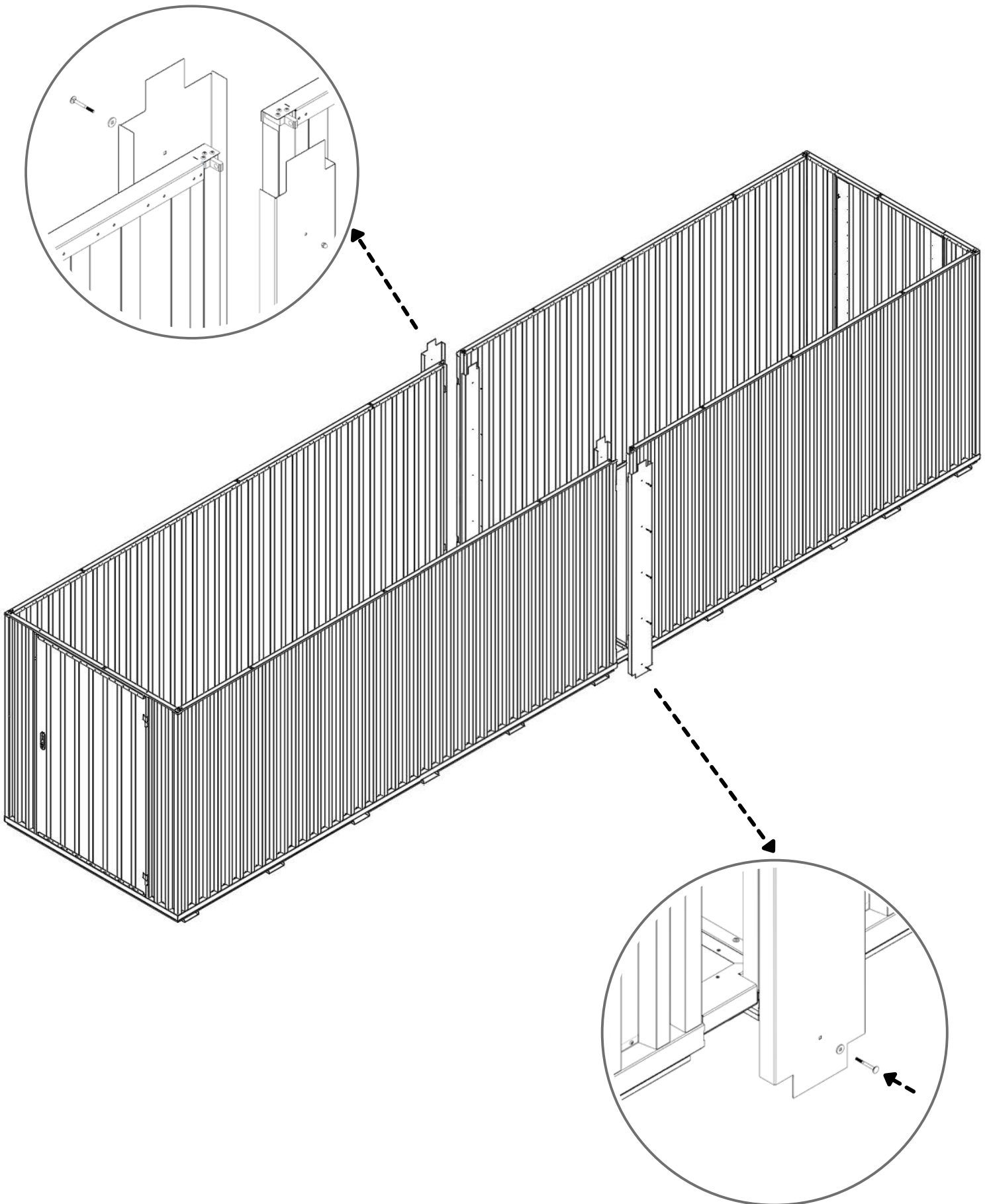
7



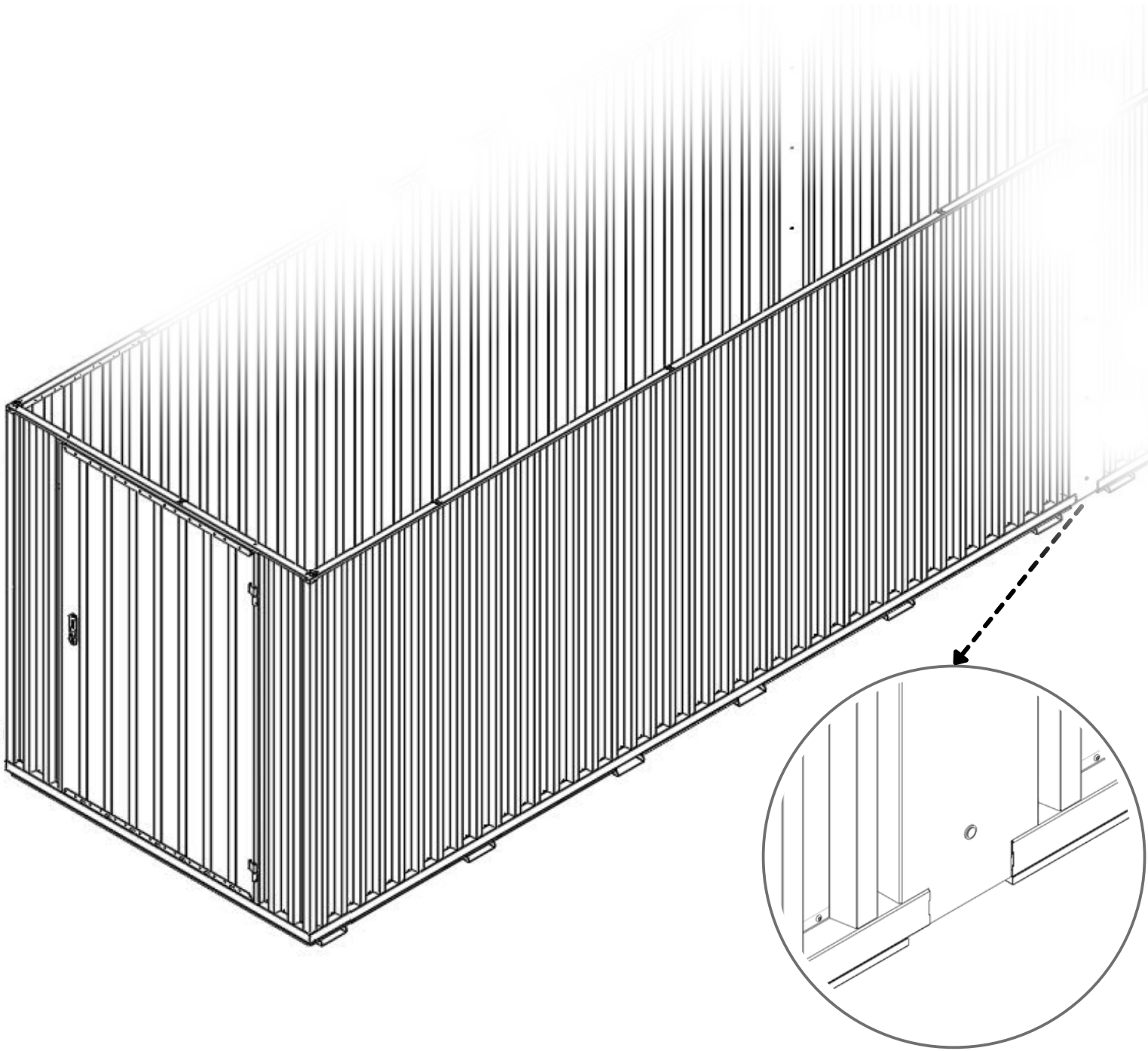
# 7.1



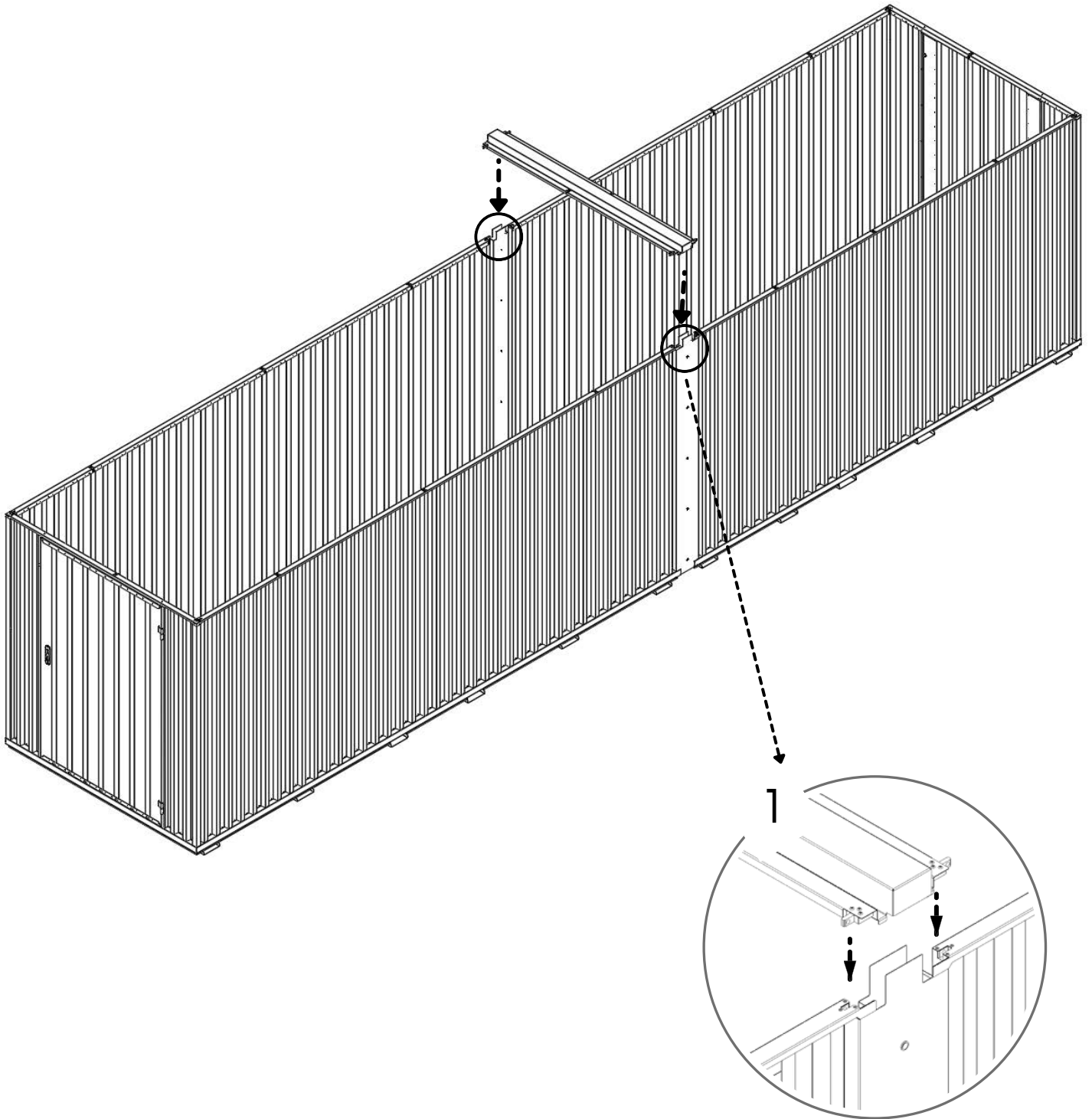
8



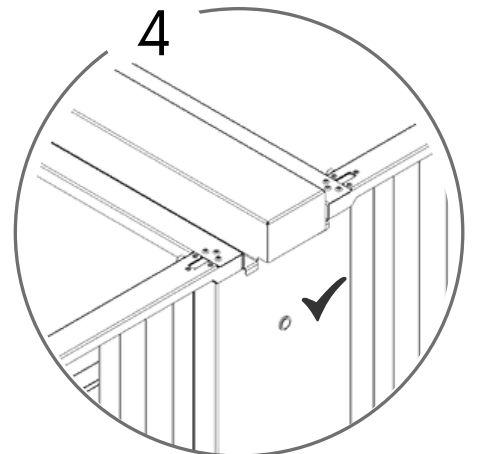
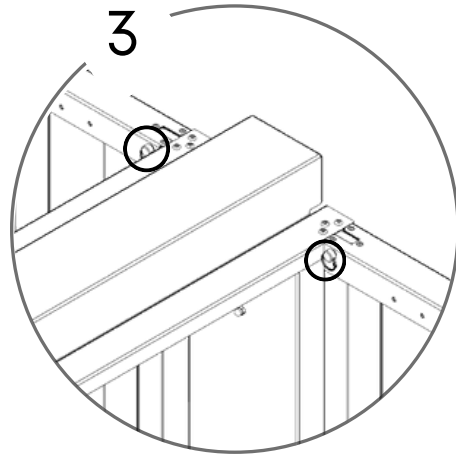
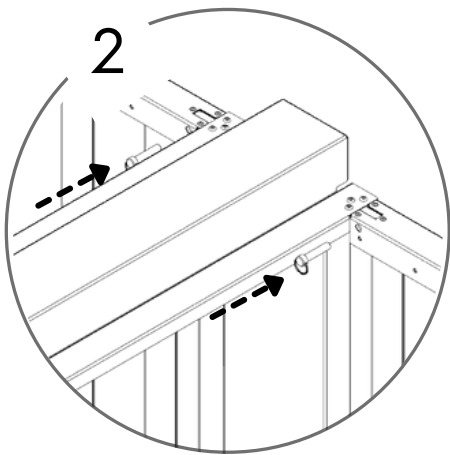
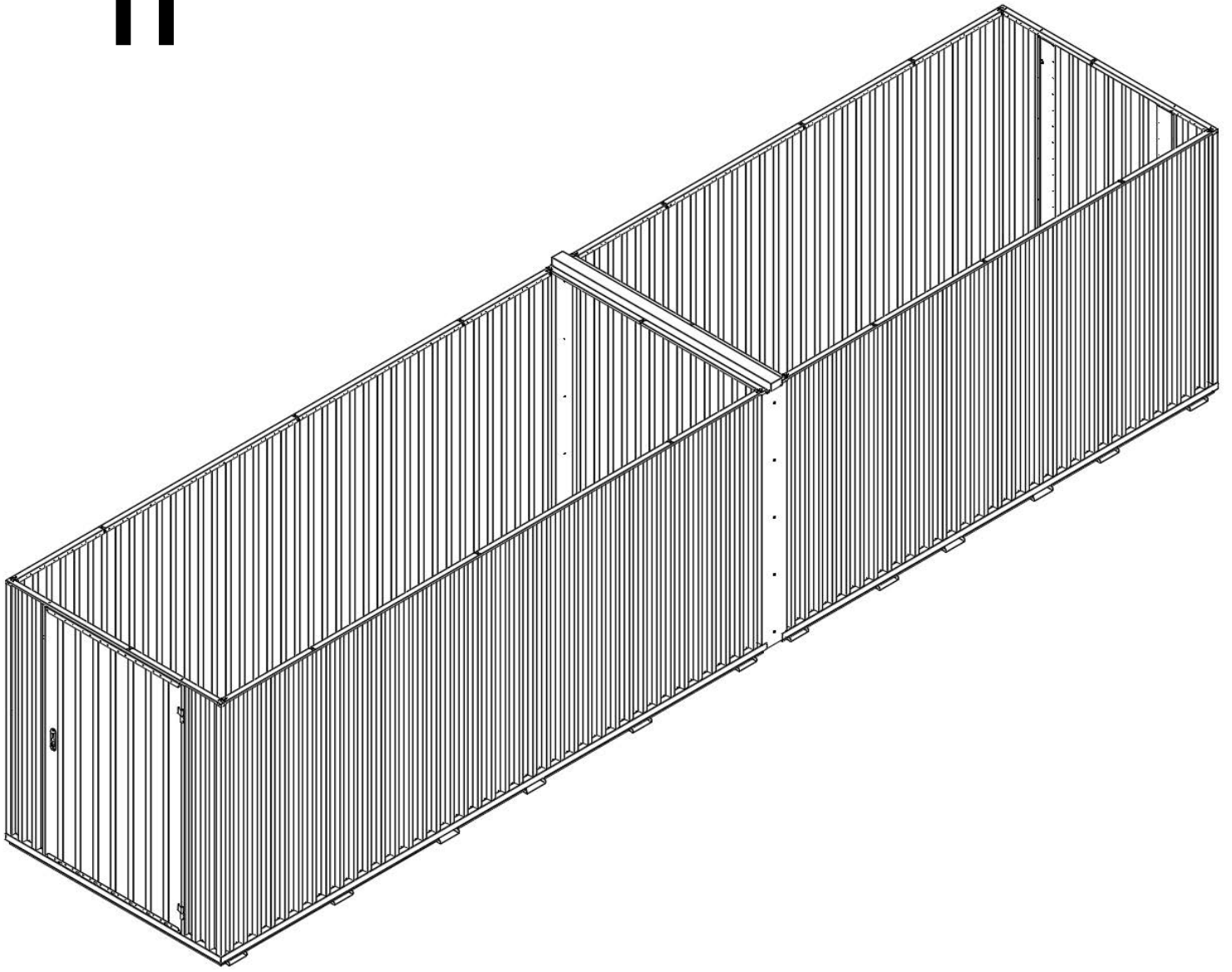
9











# 10

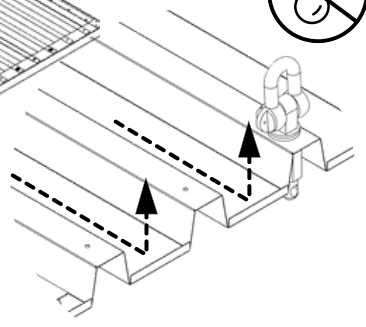
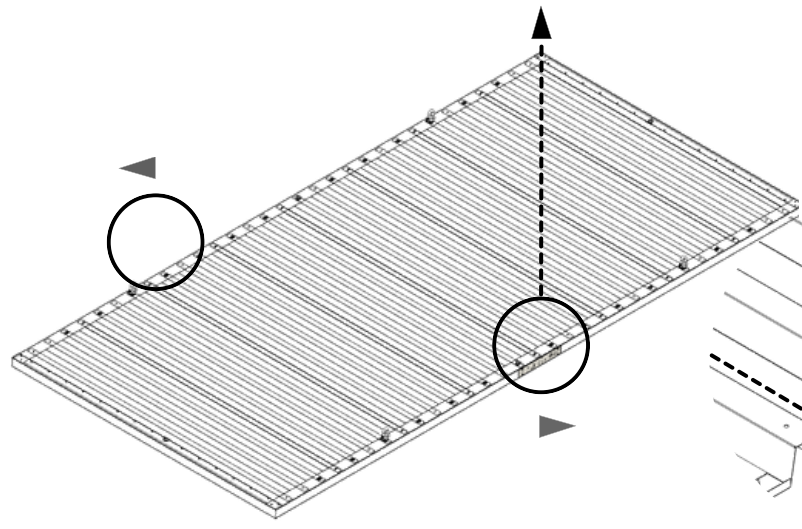
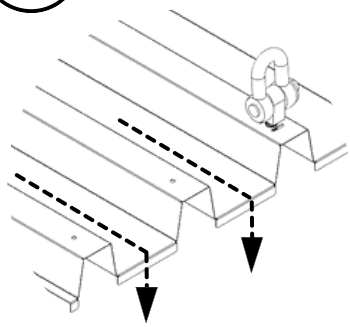


# 11

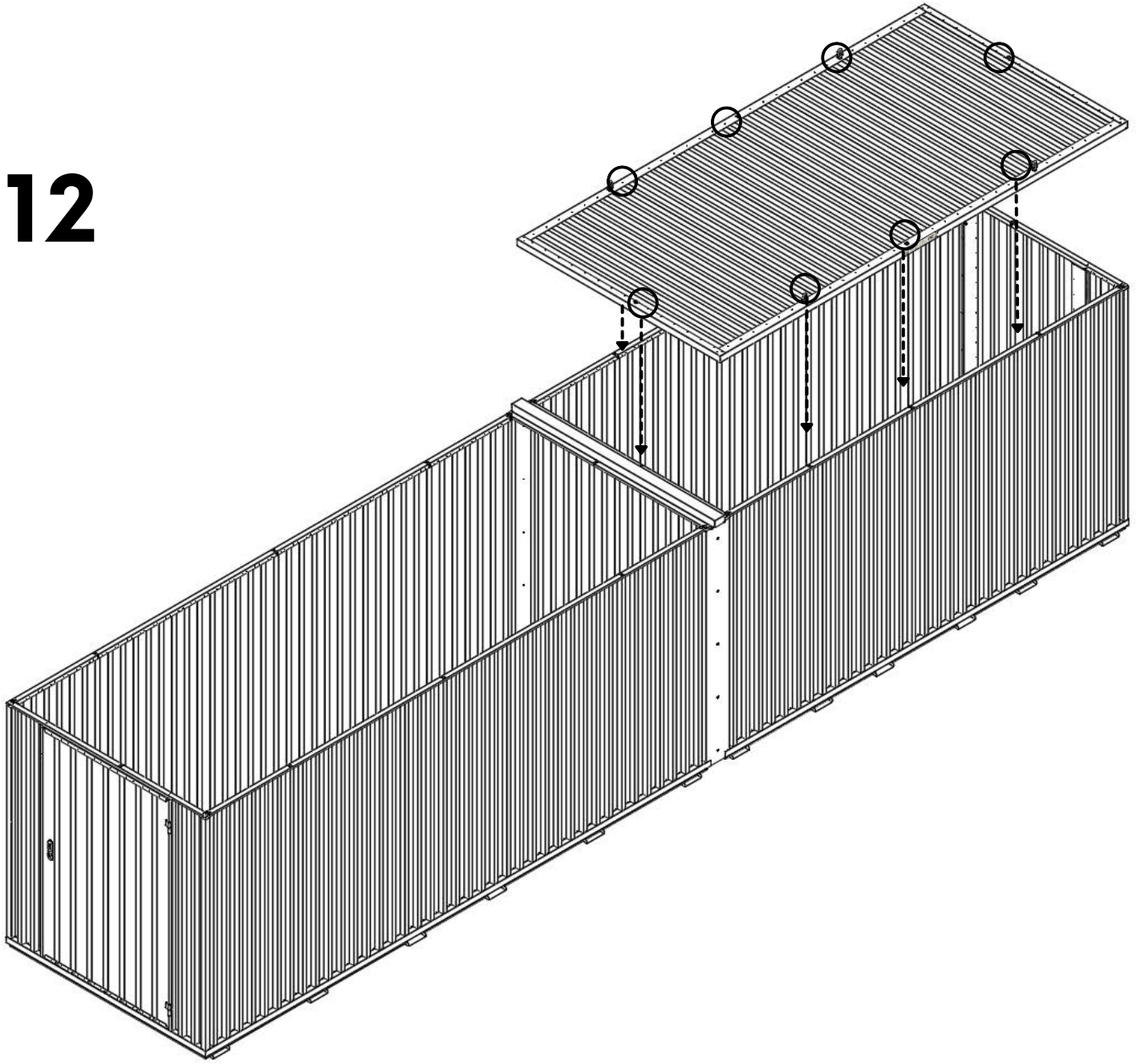




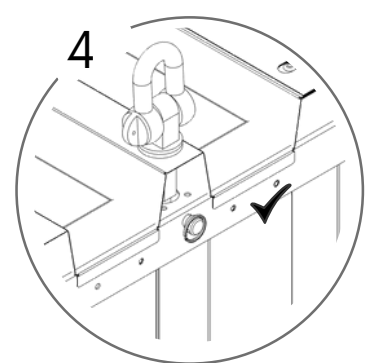
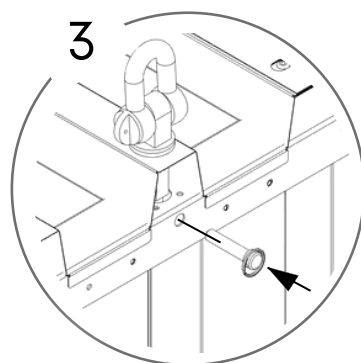
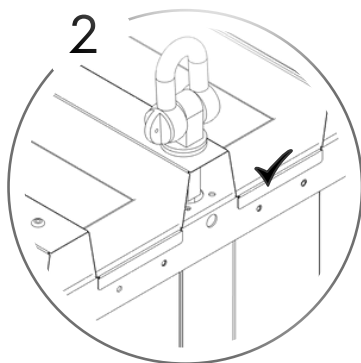
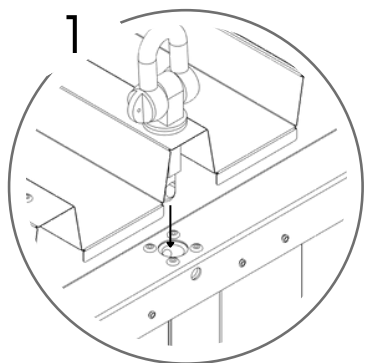
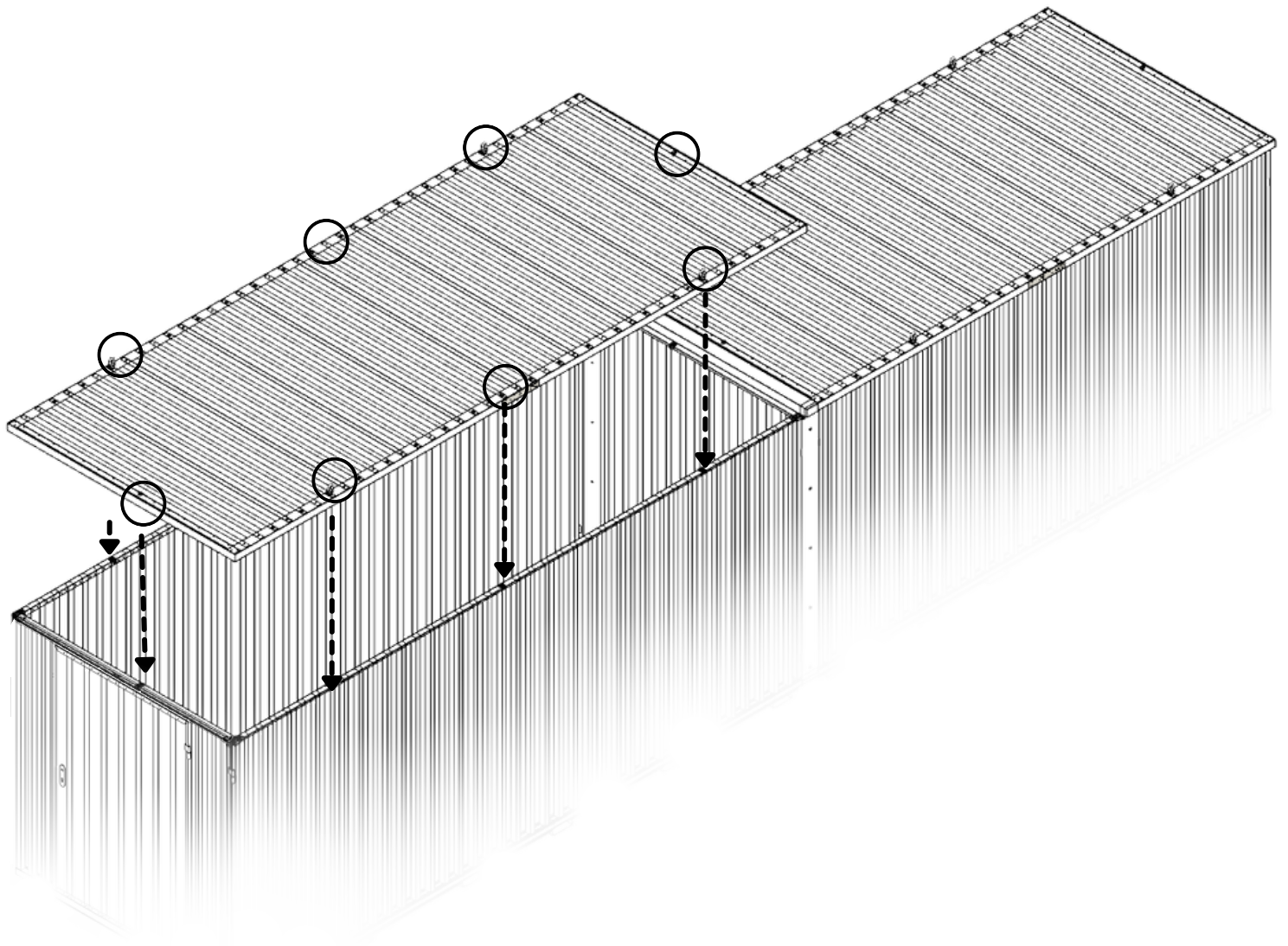
 885 KG	 1640 MM	Model Code: 5040.110.320.321 Production Tracking Code: ...../X09.1.5040.320.321	 9001	 14001	 50001			
---	--	---	---	--	--	---	---	---



12

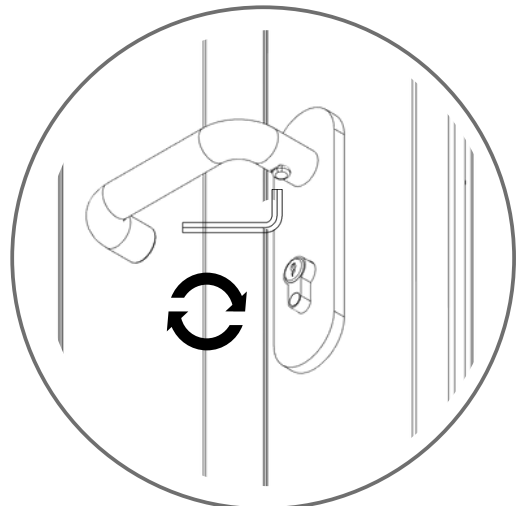
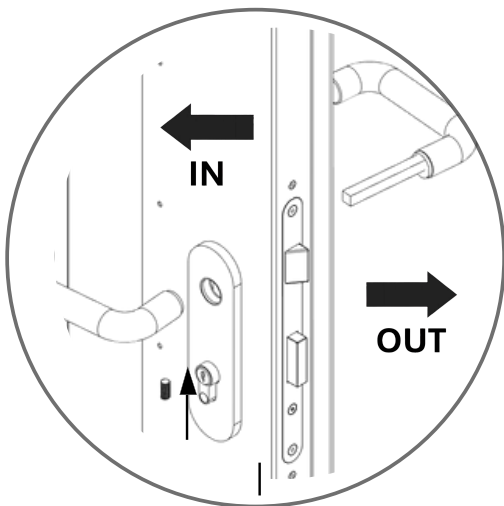
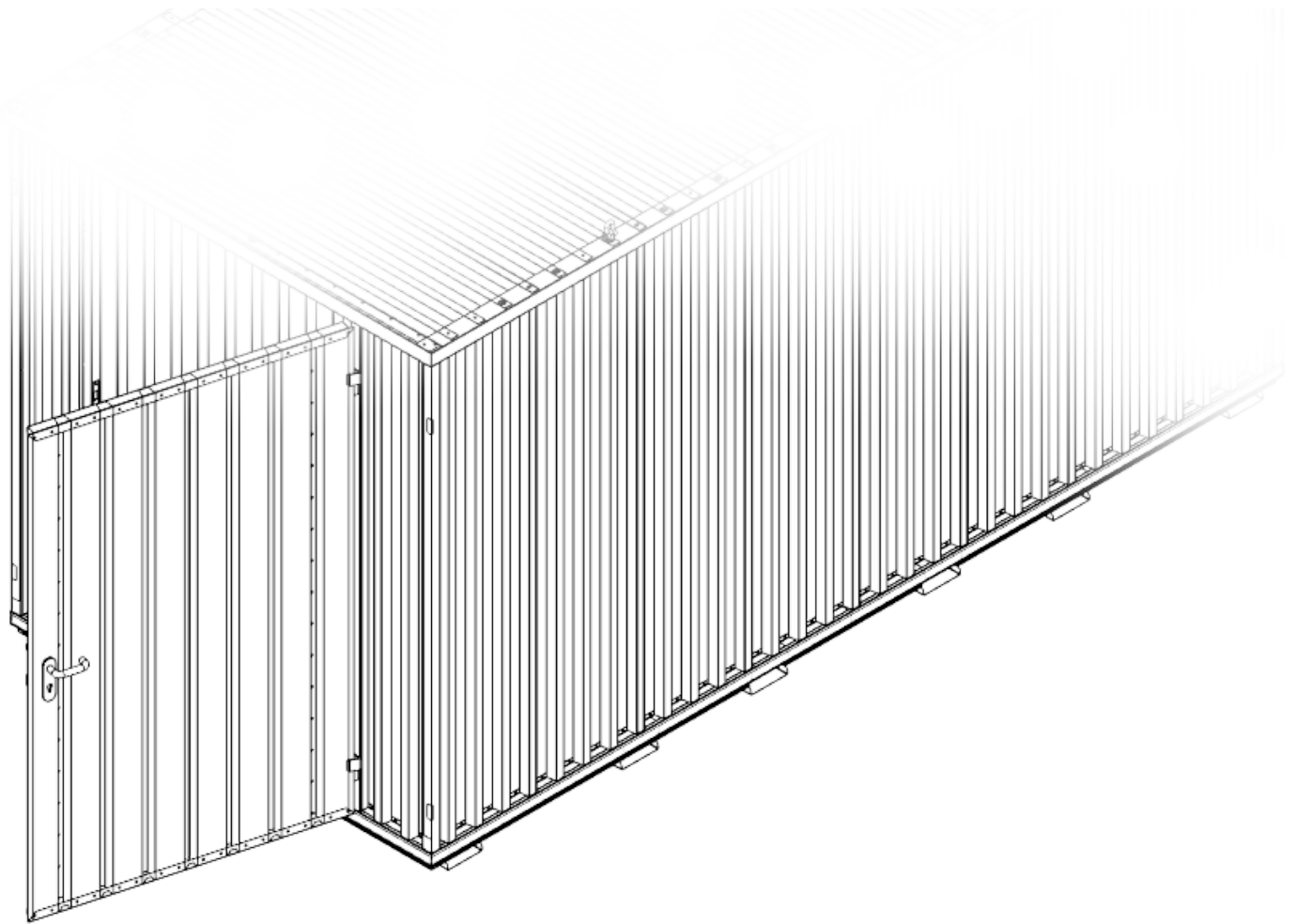


# 13





# 14



15

