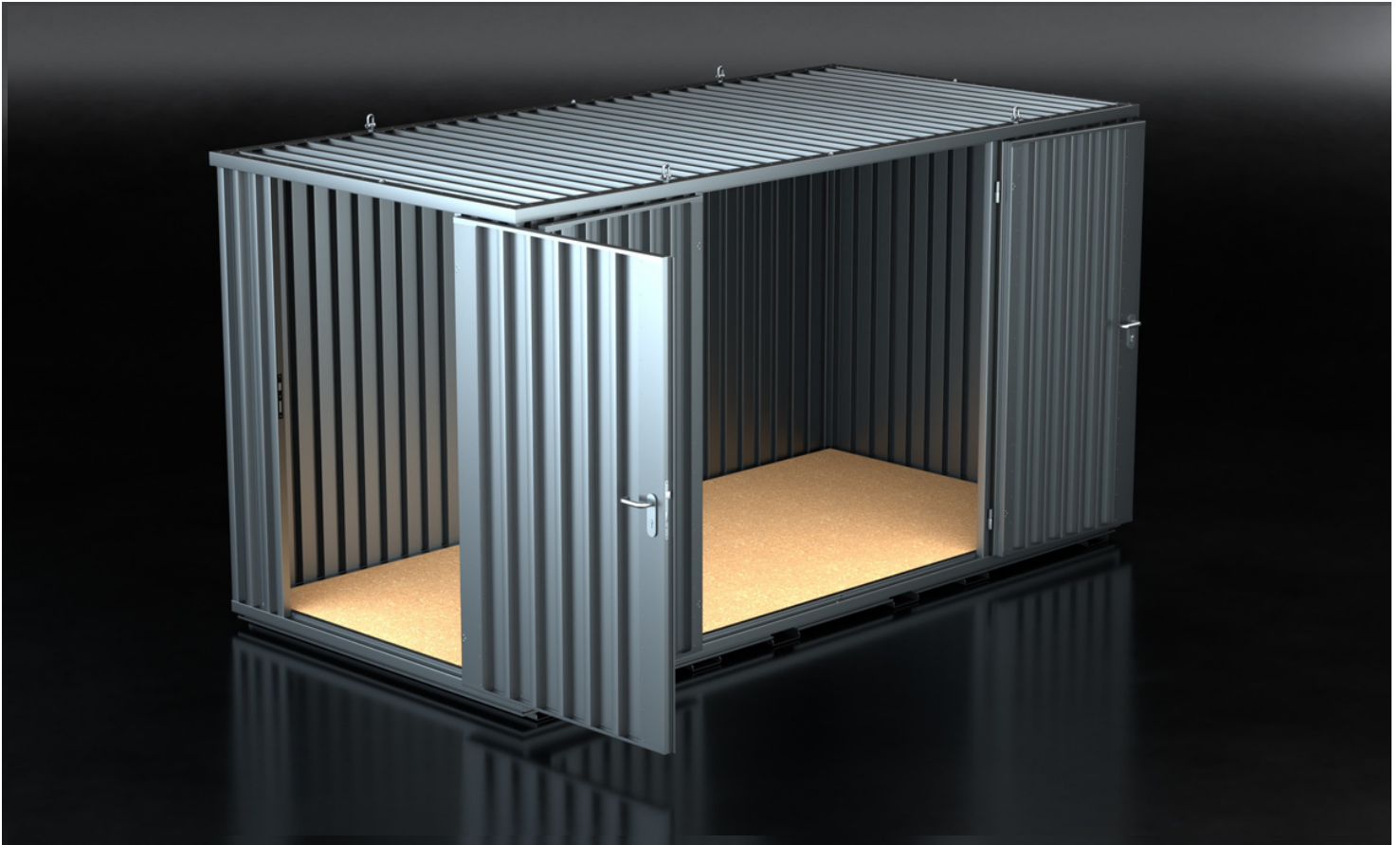


PRODUCT CODE:40.110.430.320

prefabase
Quick Build Solutions

Instructions and User Guide



40.0110
1x

40.0410
1x

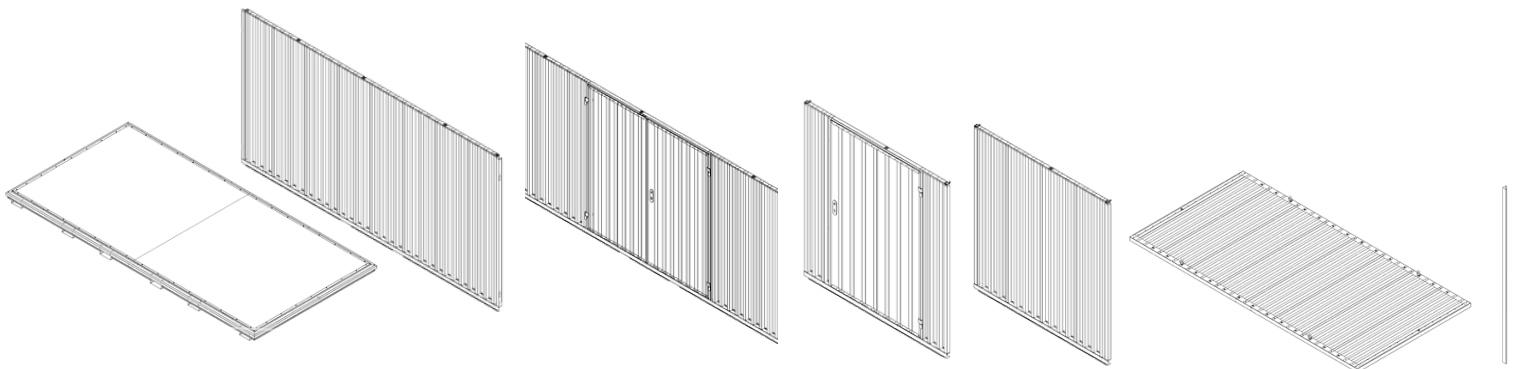
40.0430/0220/0230
1x

0210/0320
1x

0310
1x

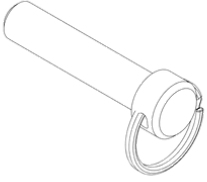
40.0510
1x

0099.61.101
4x

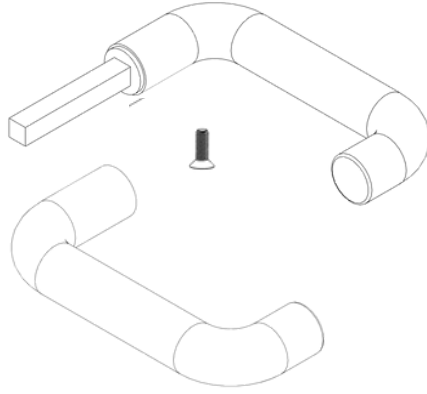




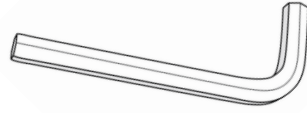
12x



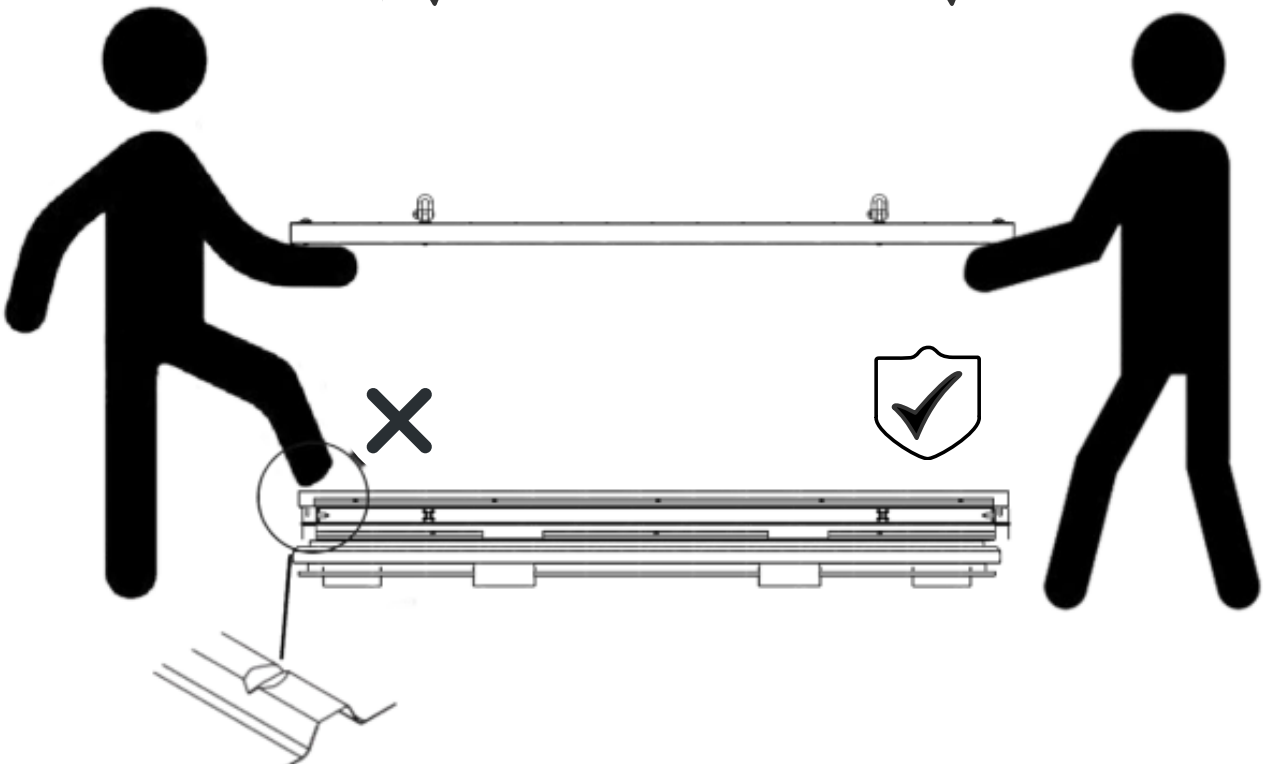
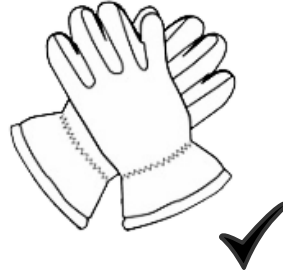
2x



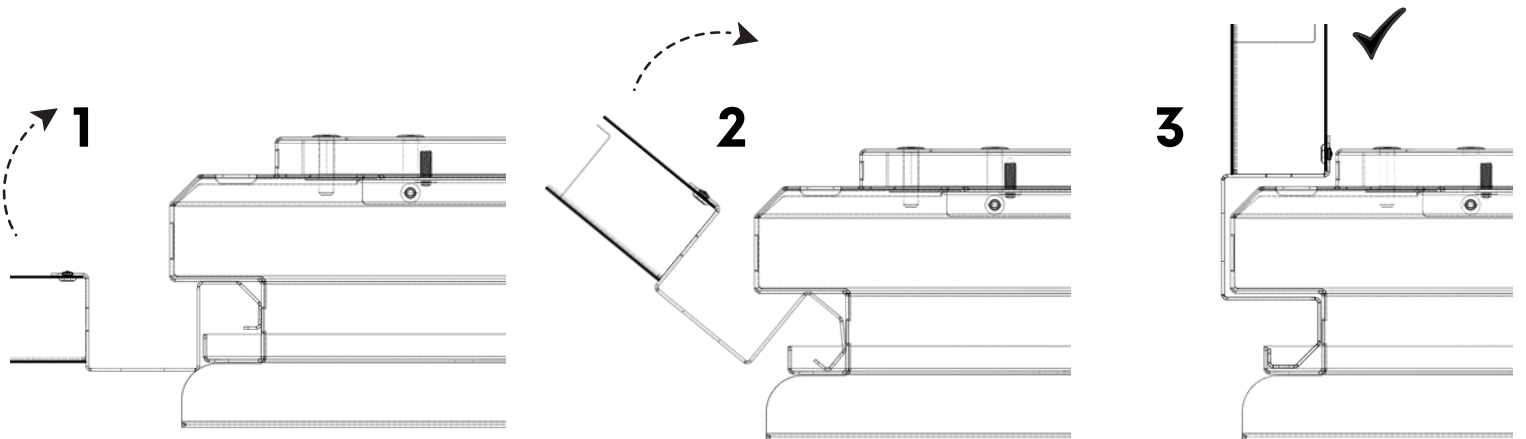
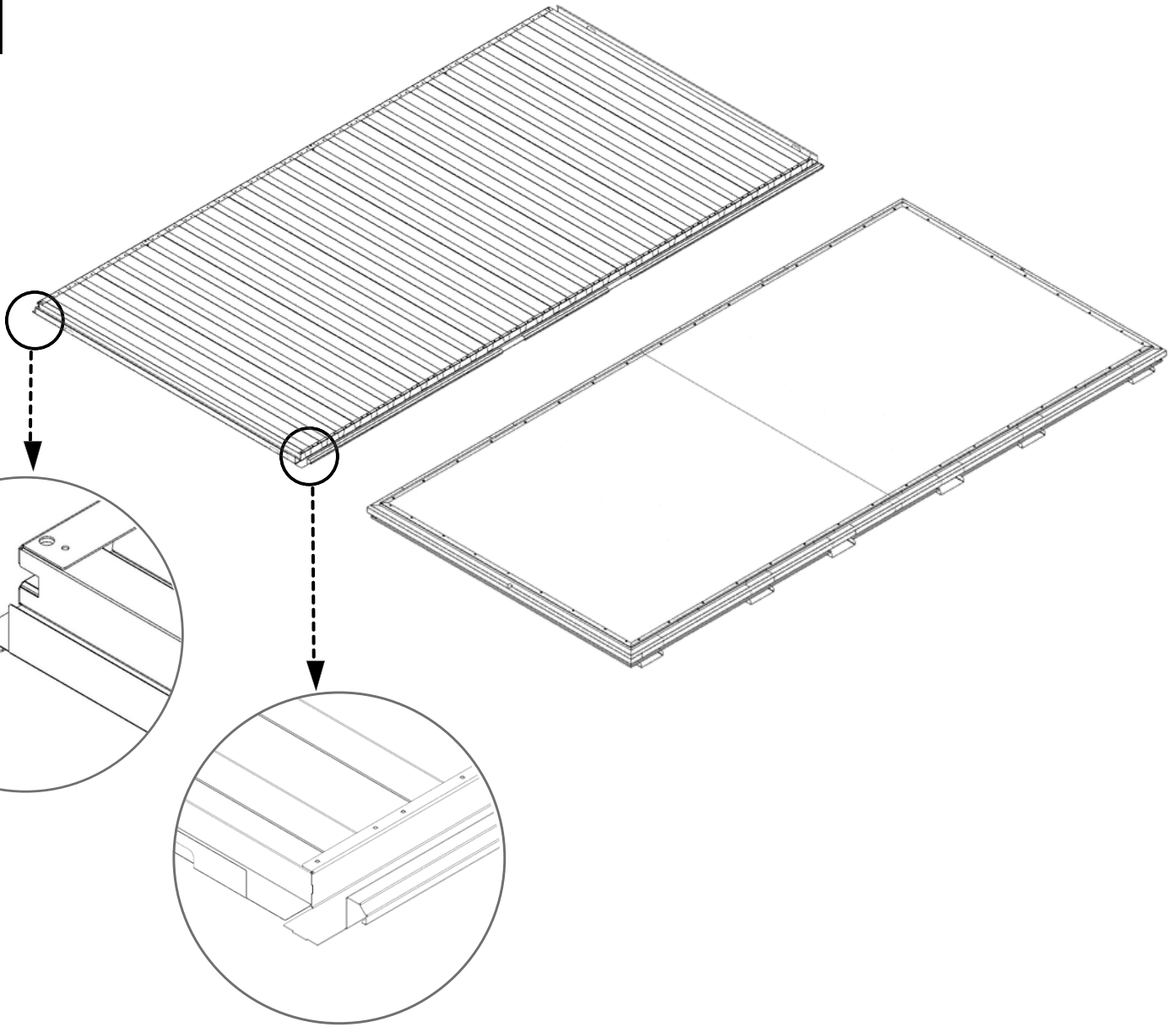
1x



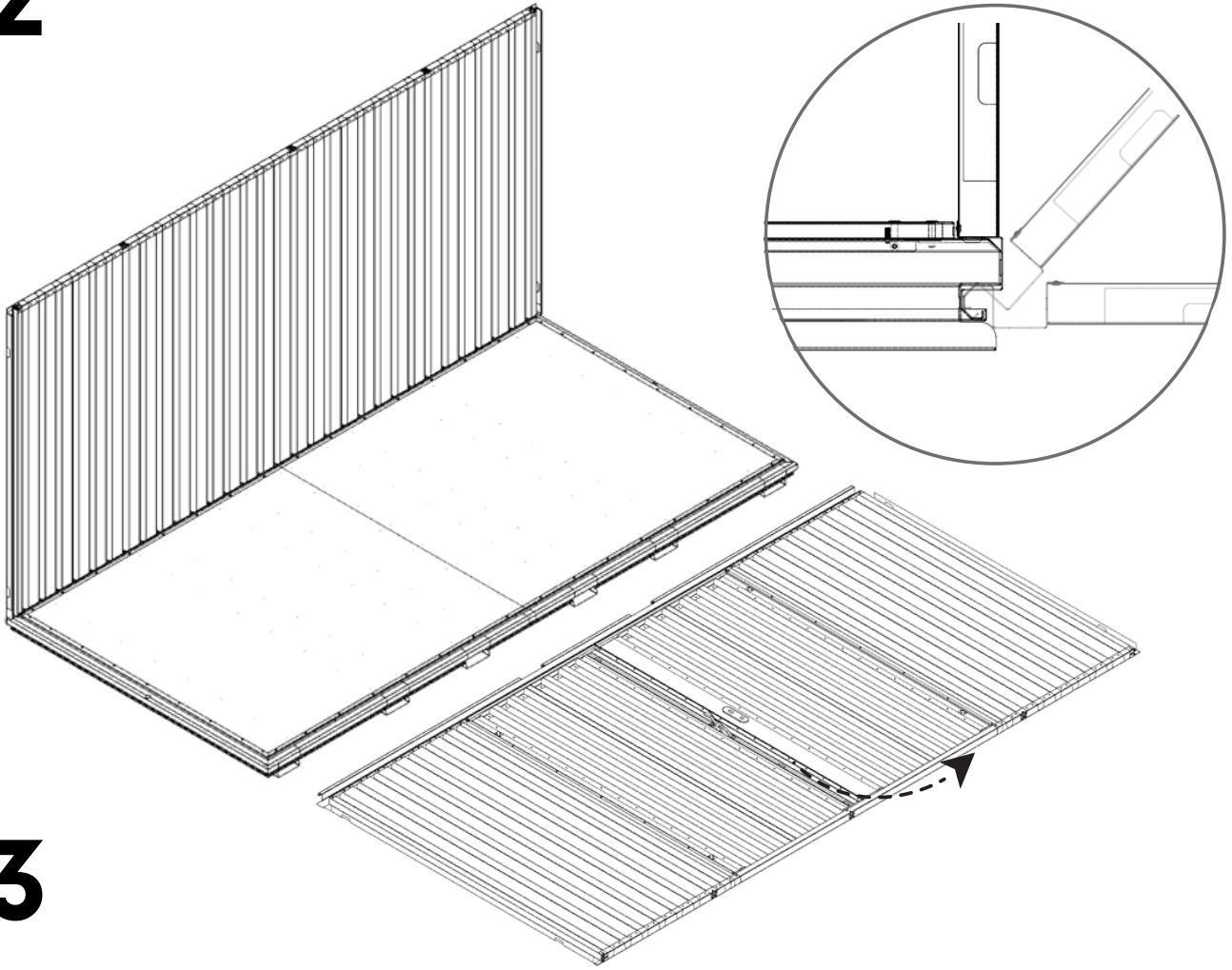
2x



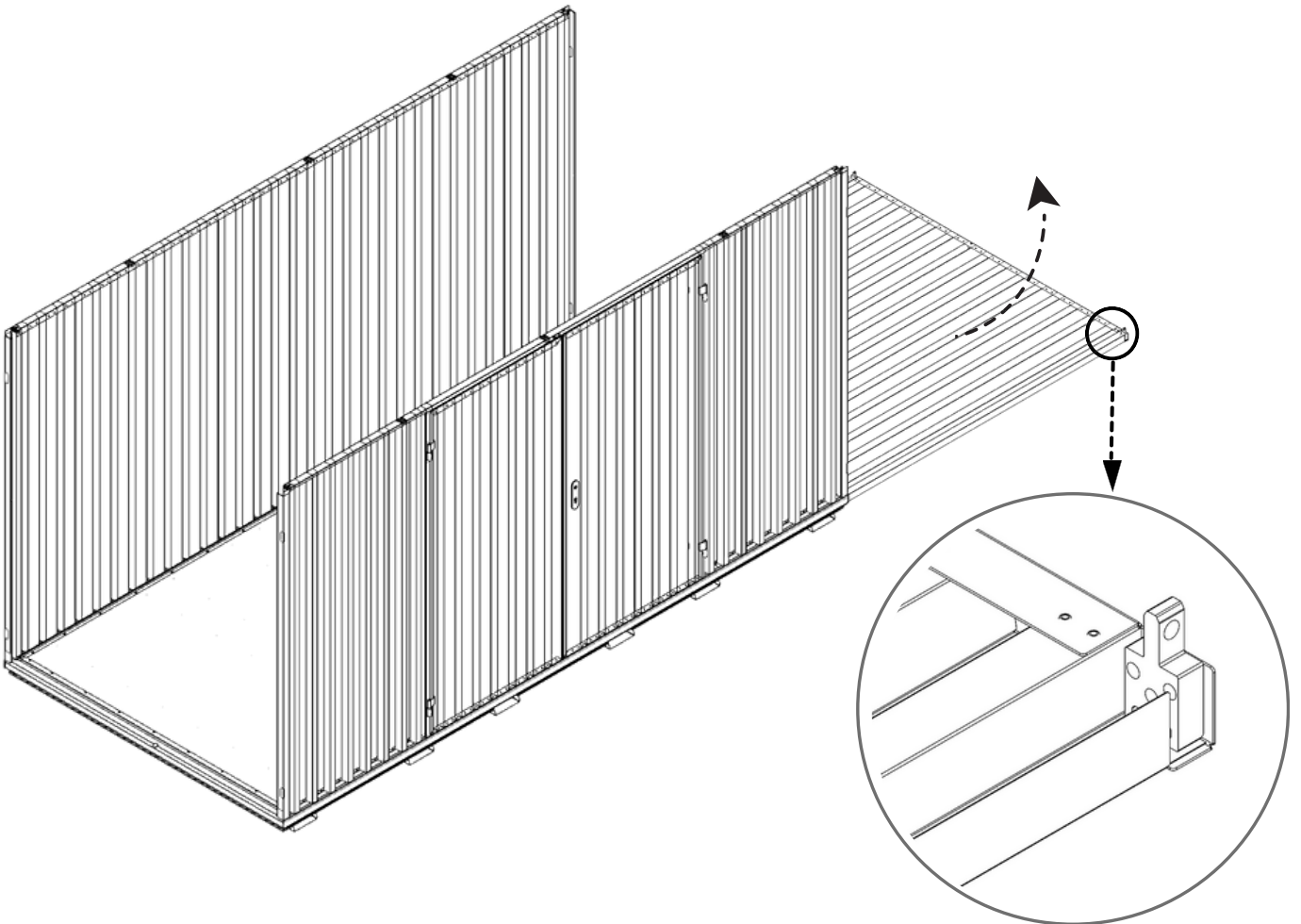
1



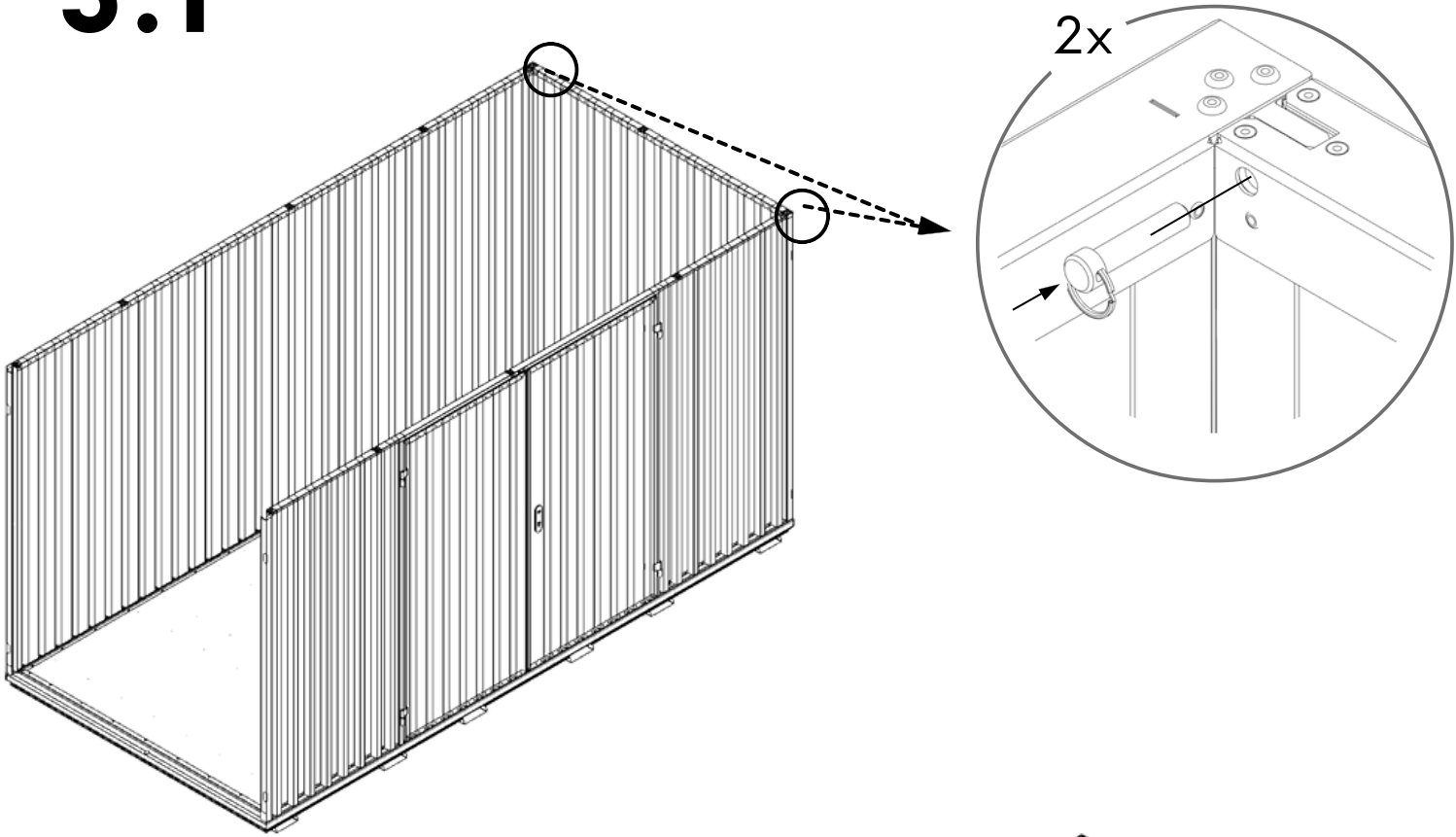
2



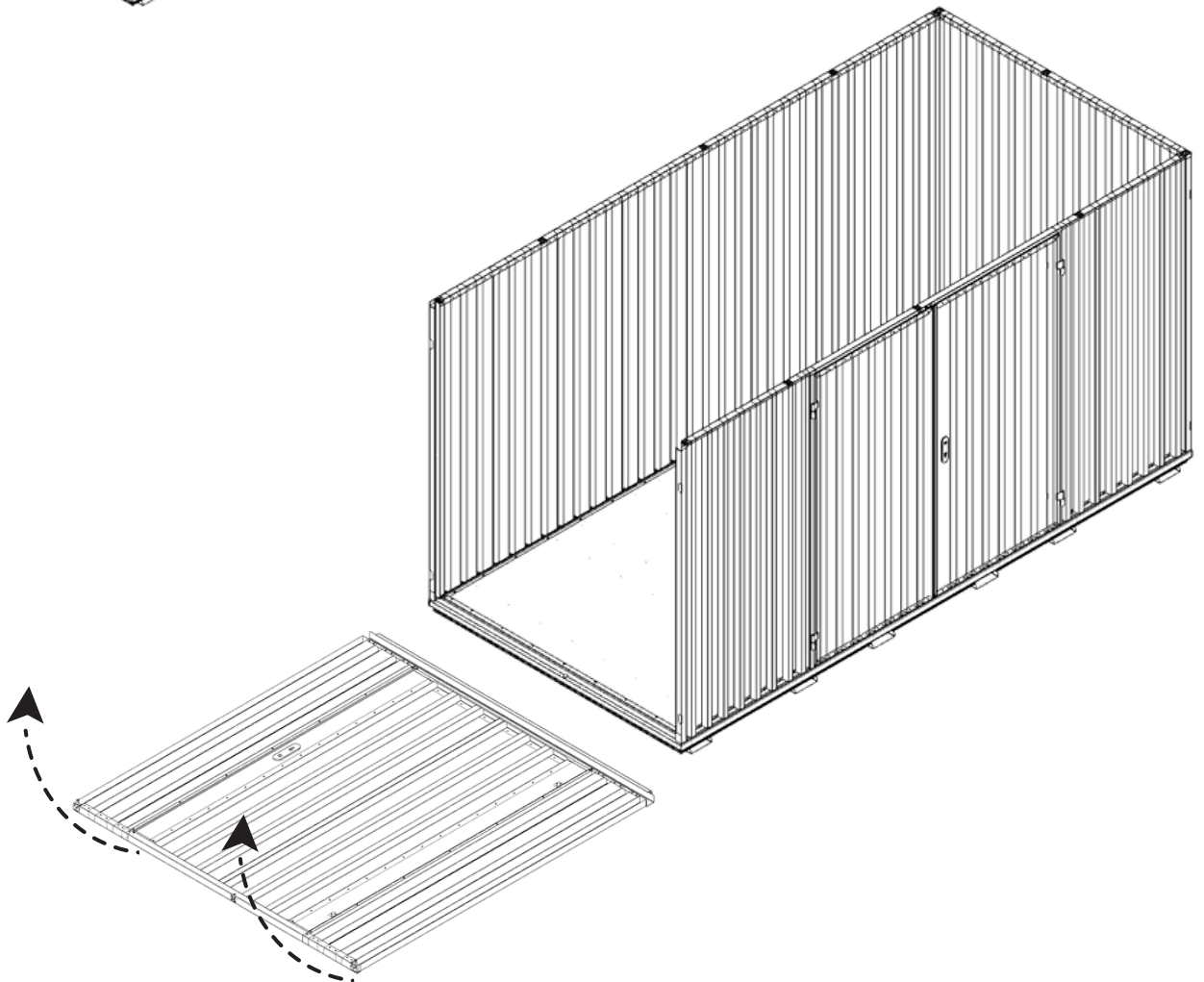
3



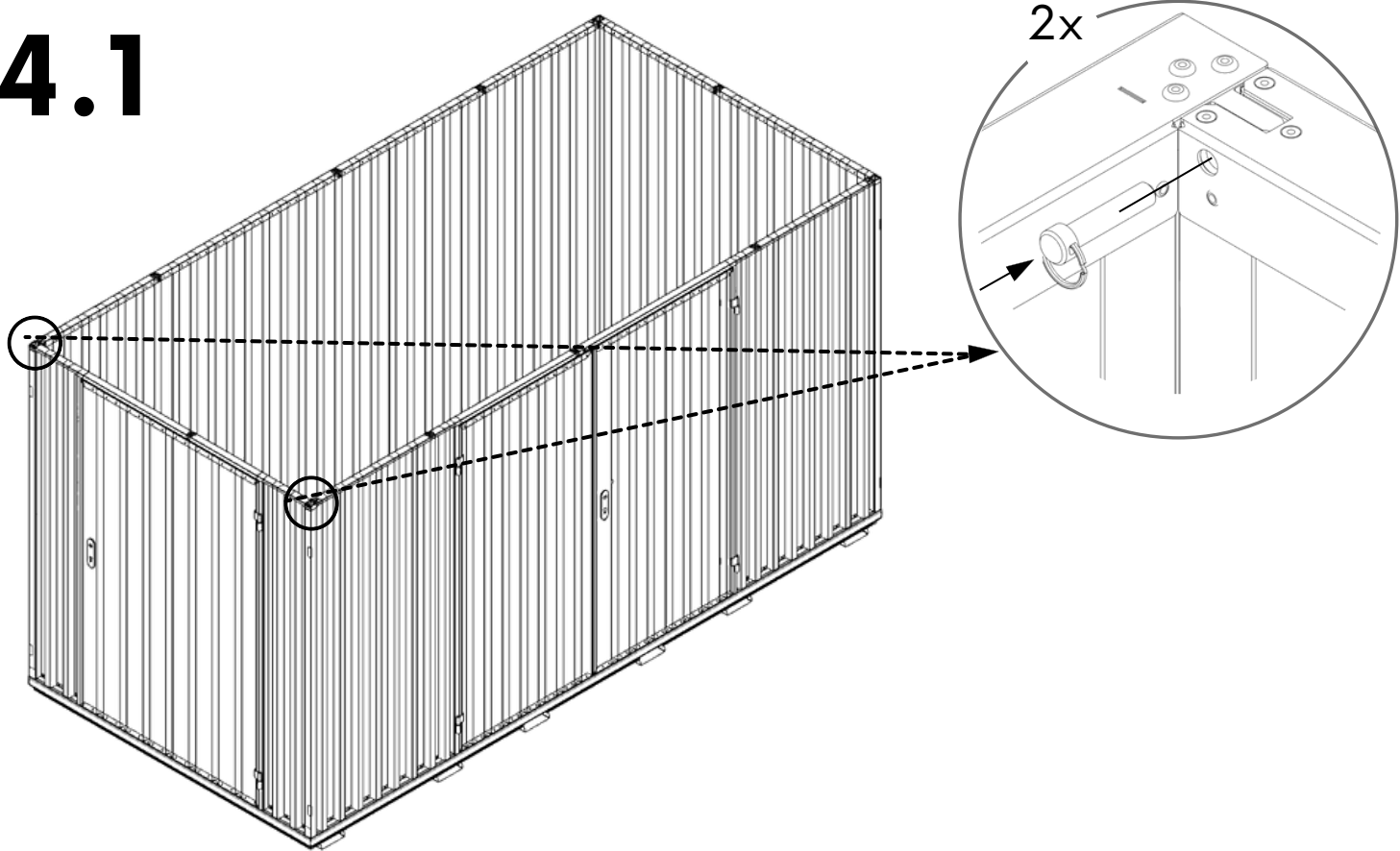
3.1












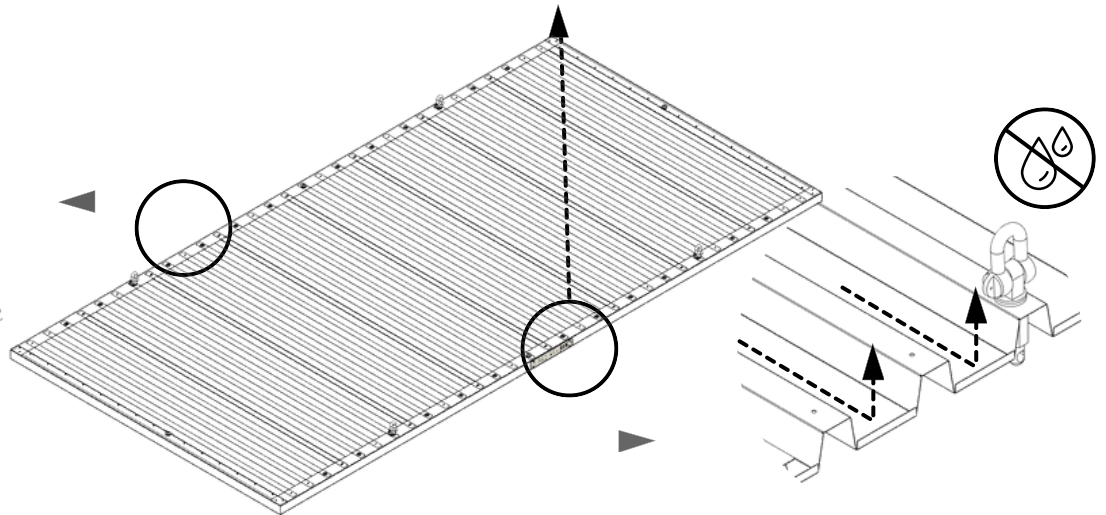
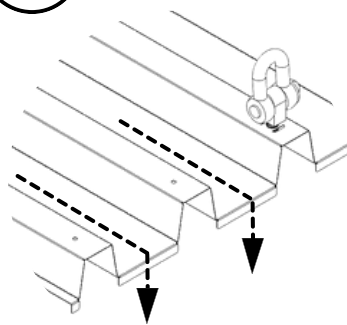
4



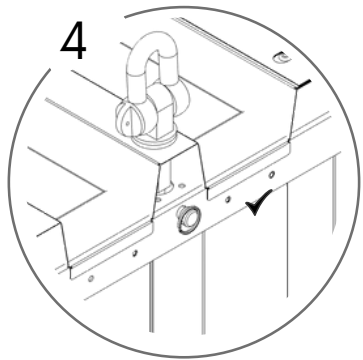
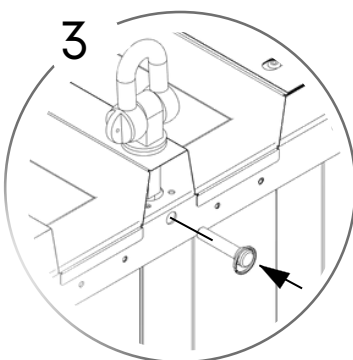
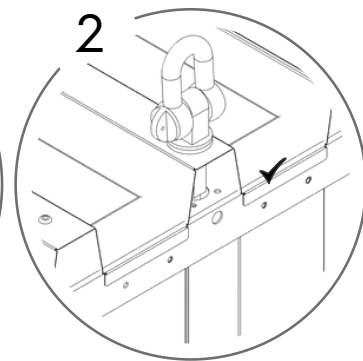
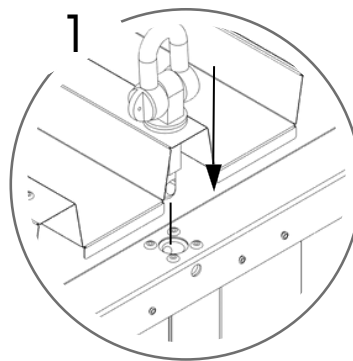
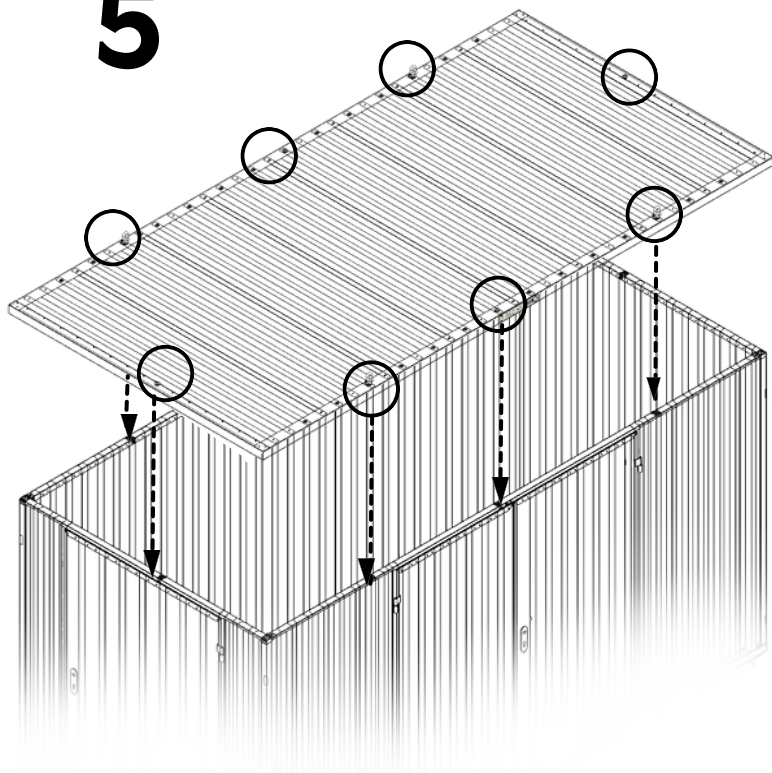
4.1



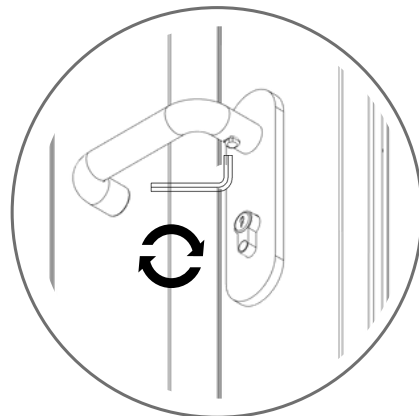
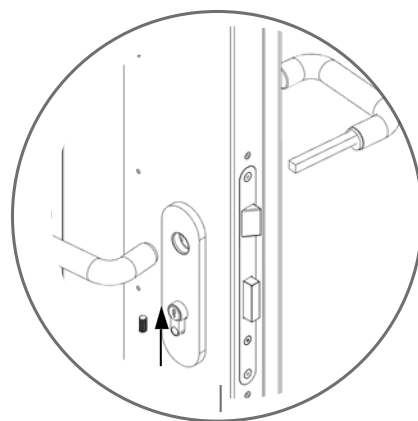
| | | | | |
|---|--|--|---|---|
|  336 KG |  3 TON |  1640 MM | Model Code: 30.110.440 Production Tracking Code:X09.1.30.440  9001  14001  50001 |    |
|---|--|--|---|---|



5



6



7

