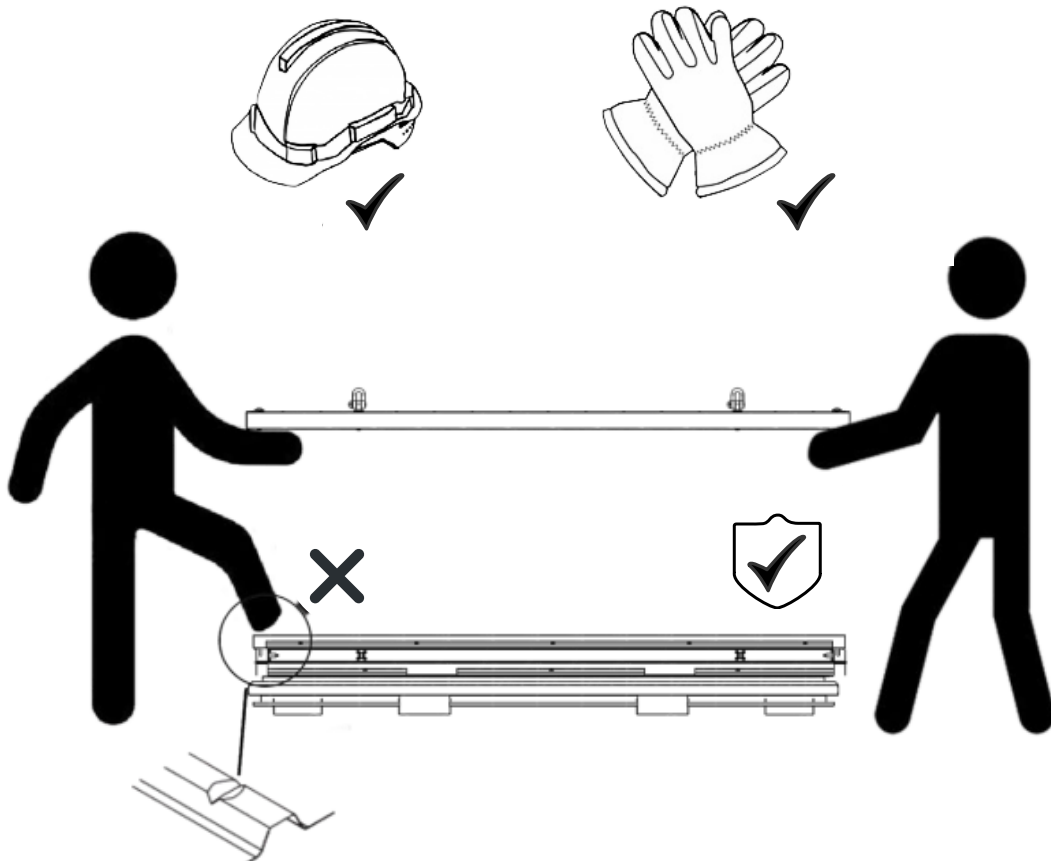


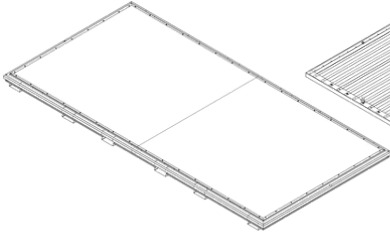
PRODUCT CODE:40.110.450

**prefabase**  
Quick Build Solutions

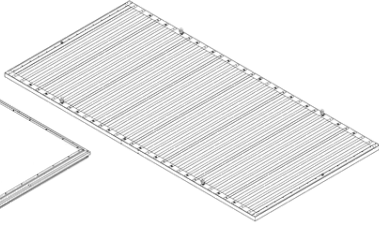
Instructions and User Guide



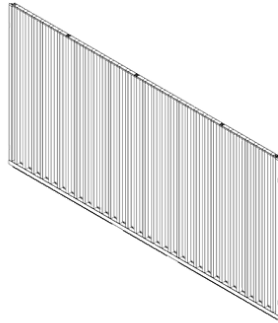
40.0110  
1x



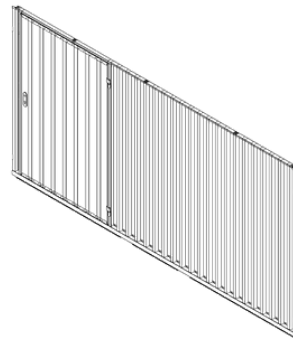
40.0510  
1x



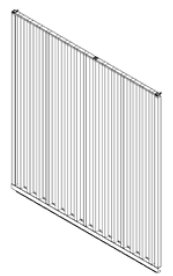
40.0410  
1x



40.0450  
1x



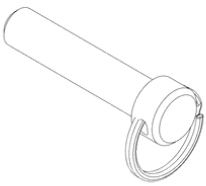
0310  
2x



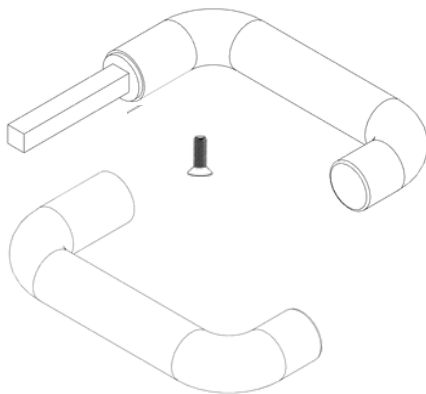
61.101  
4x



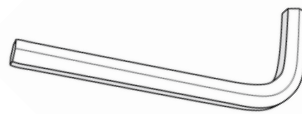
12x



1x



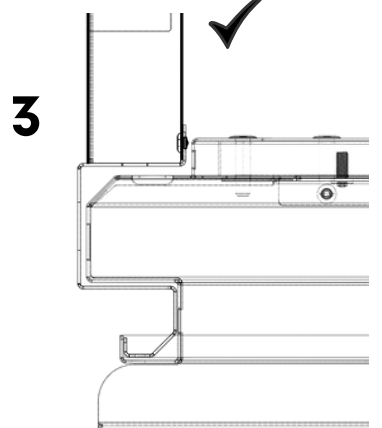
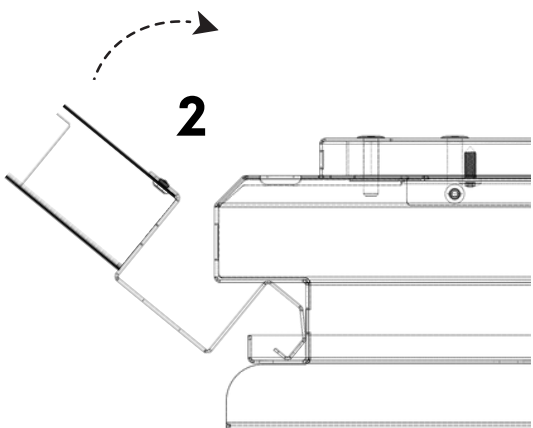
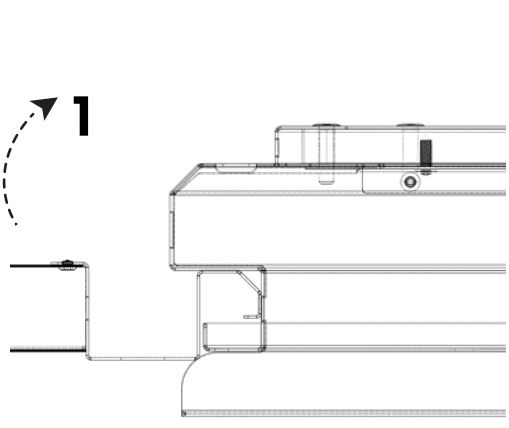
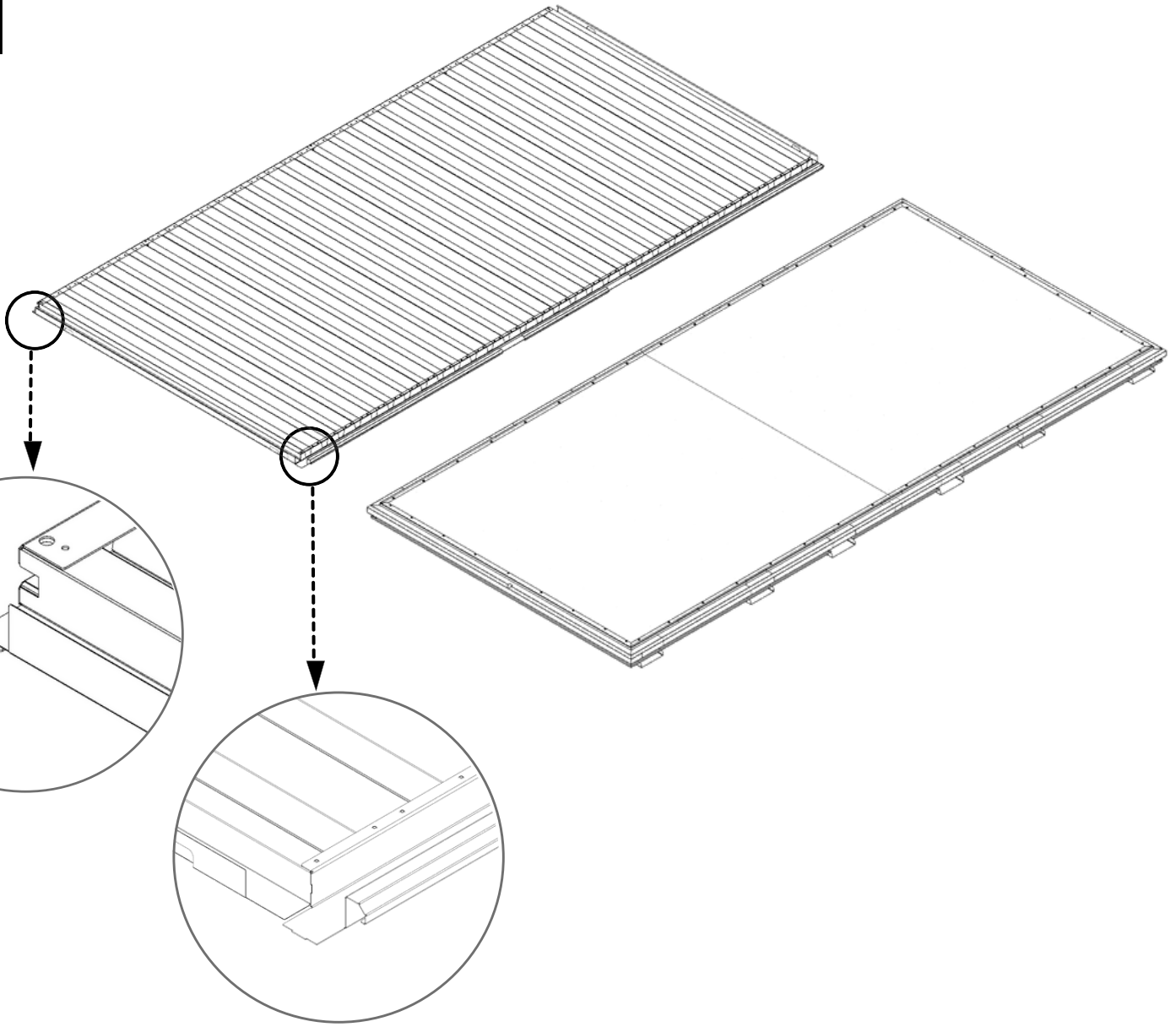
1x



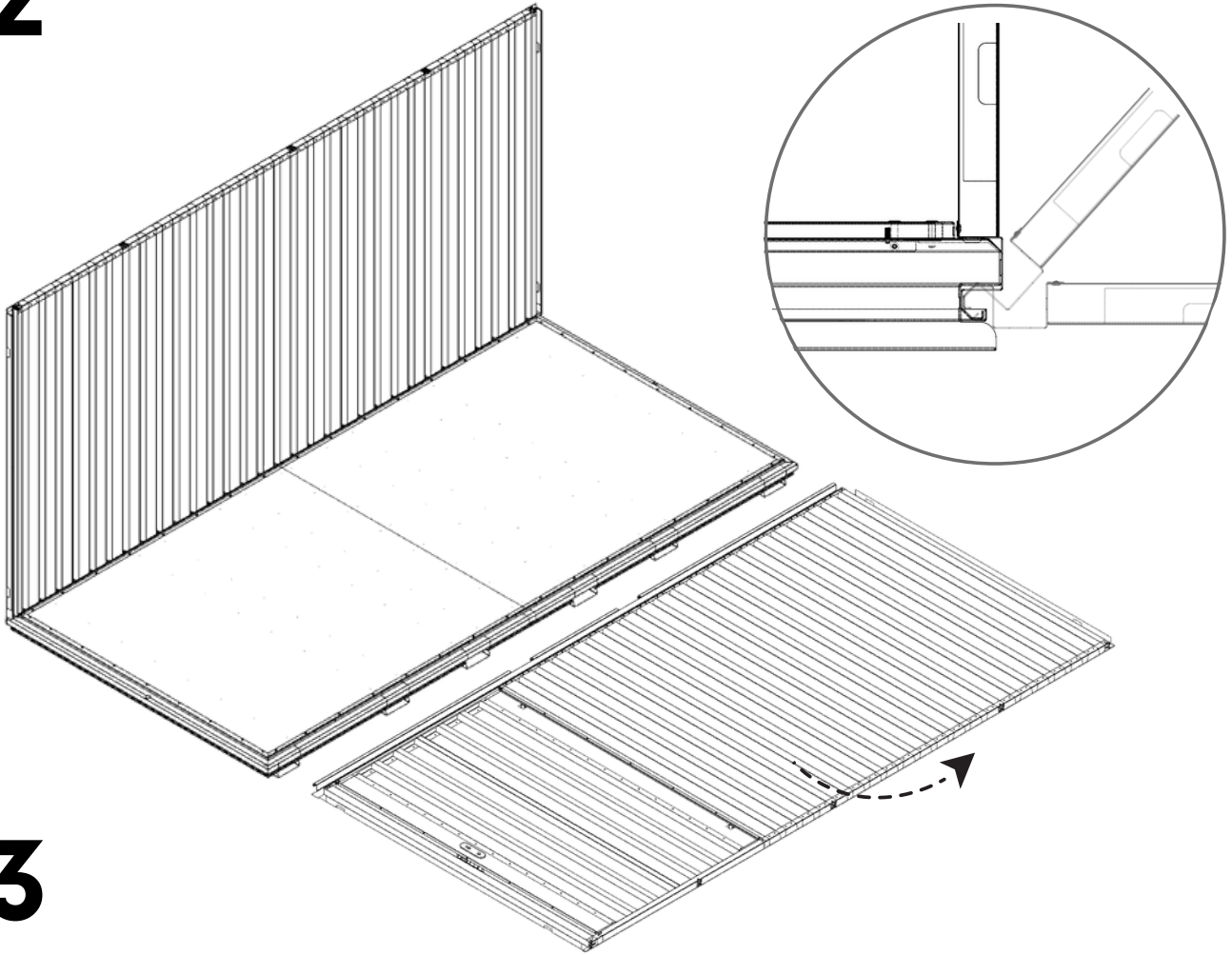
1x



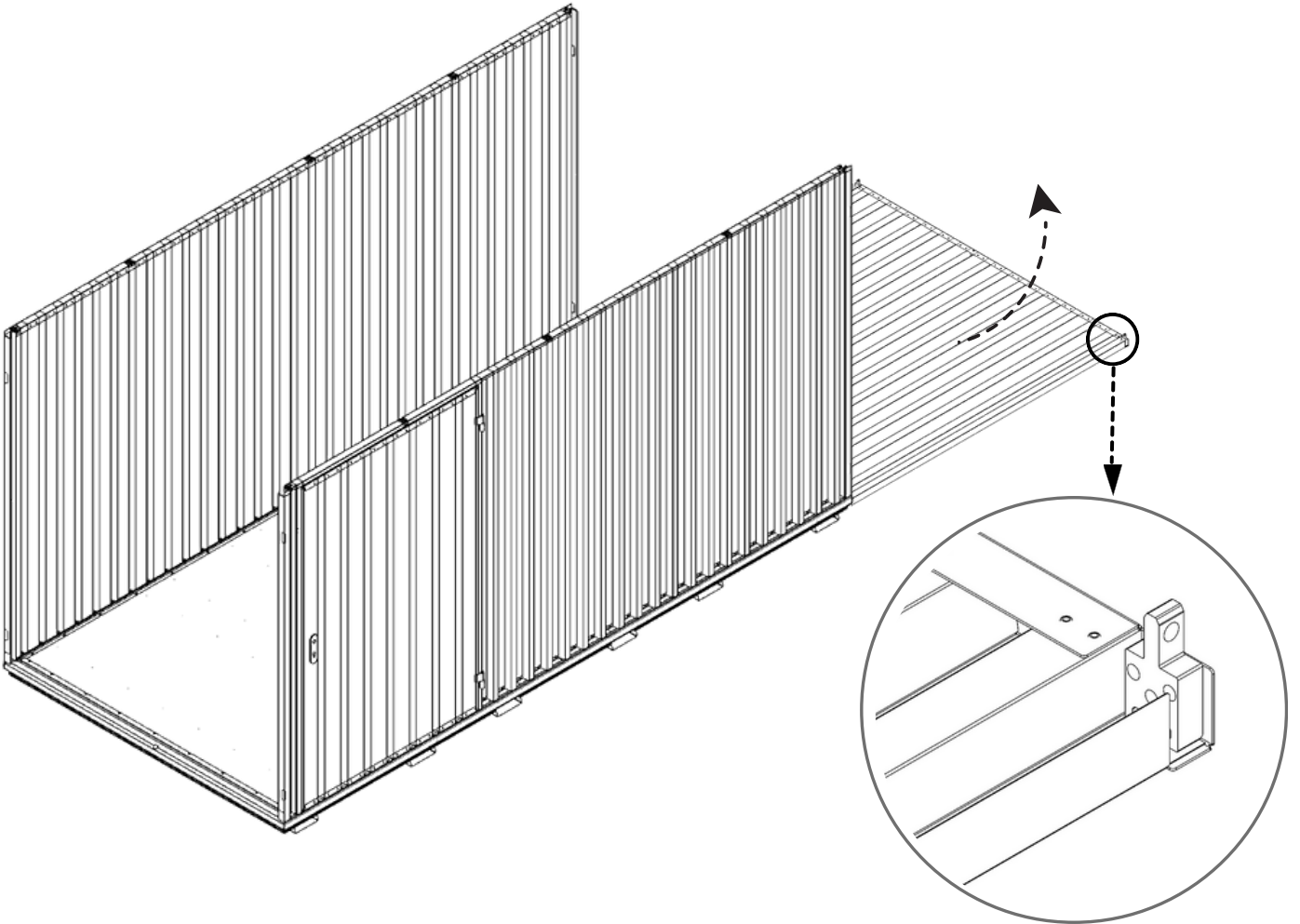
# 1



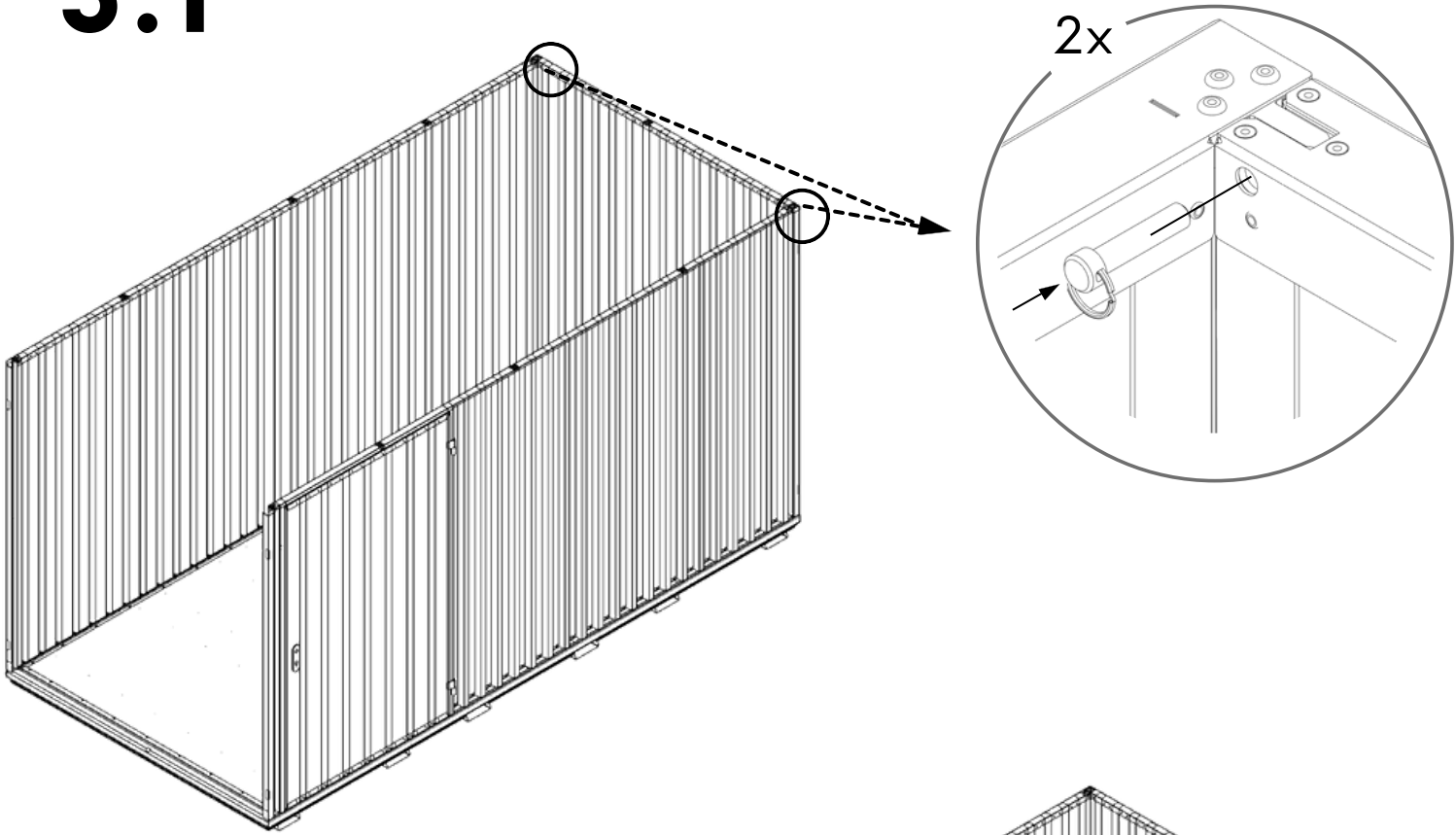
**2**



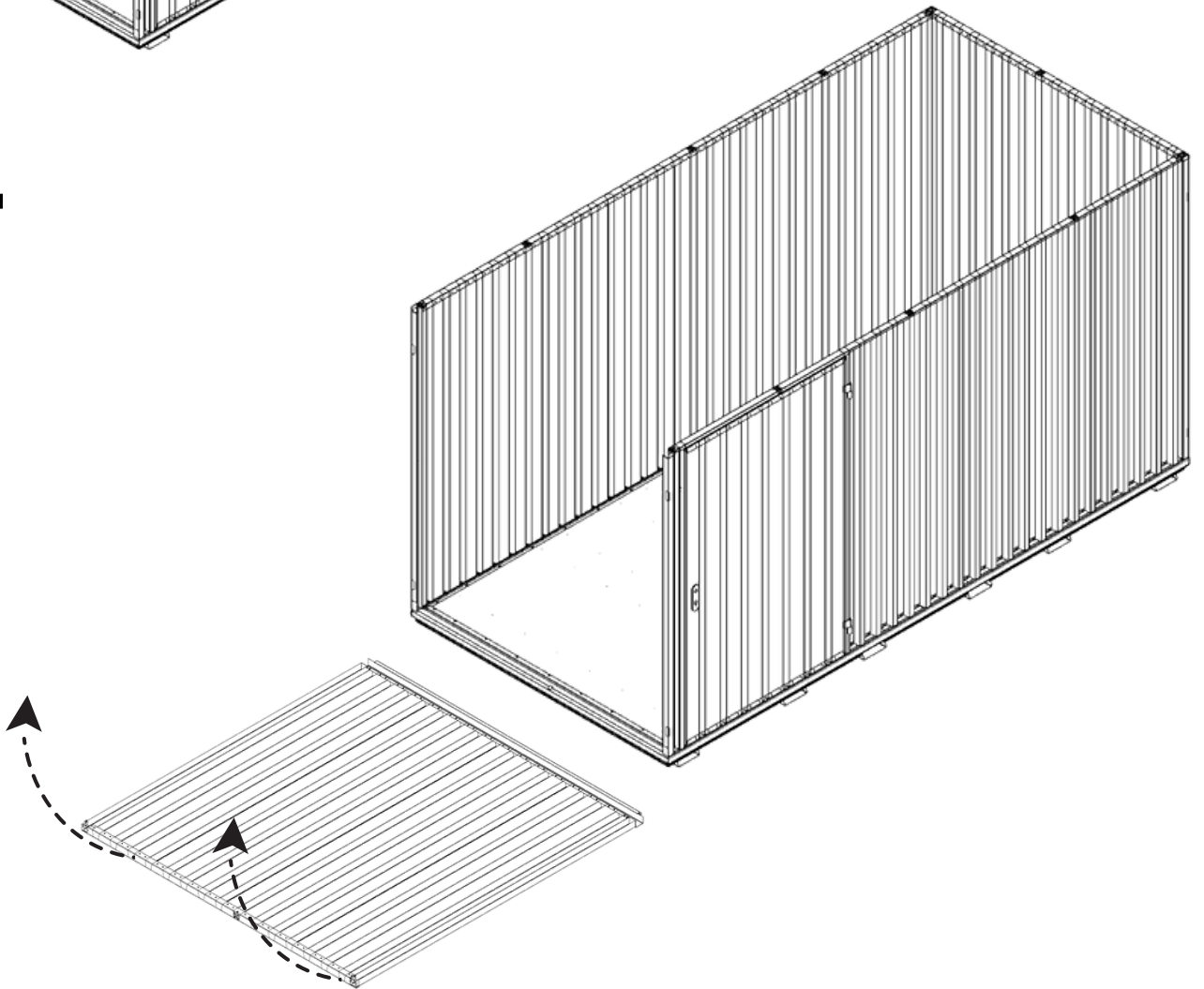
**3**



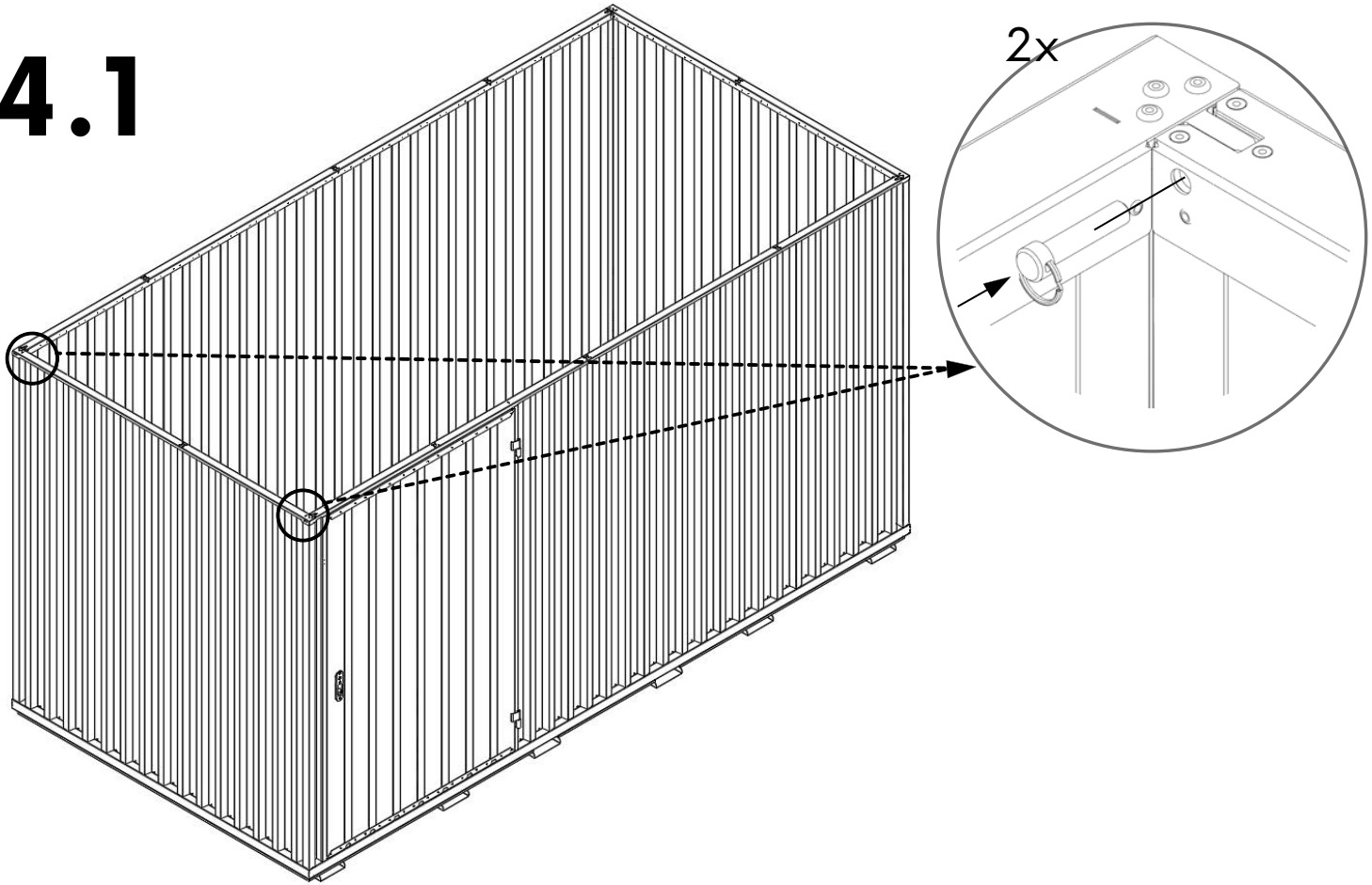
# 3.1











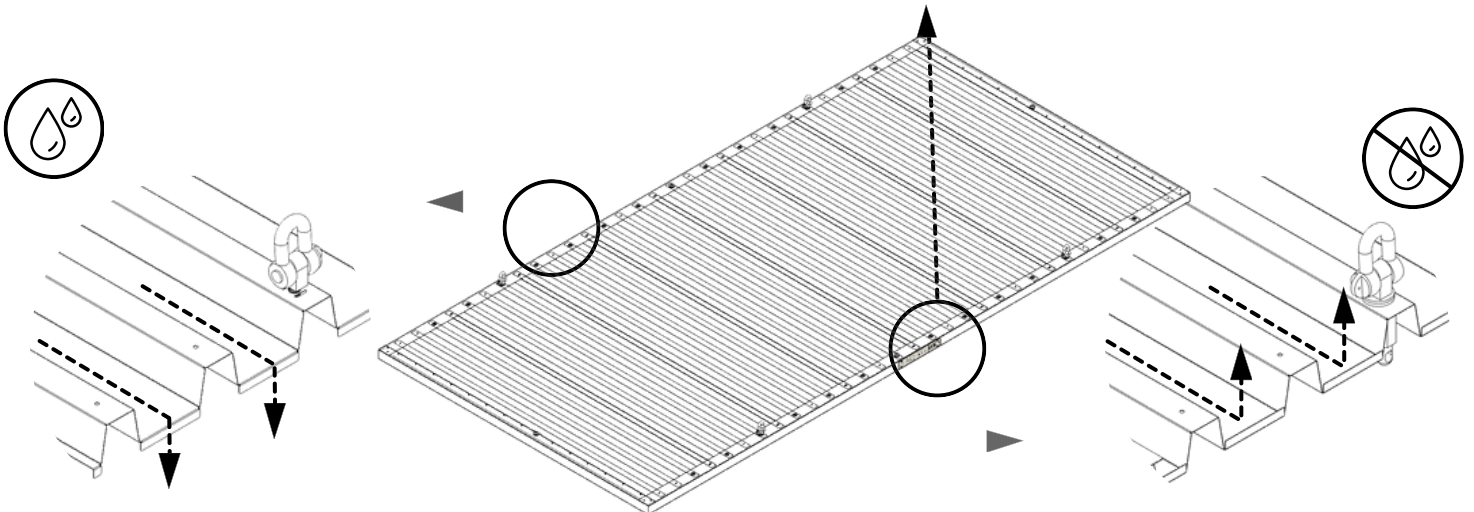
# 4



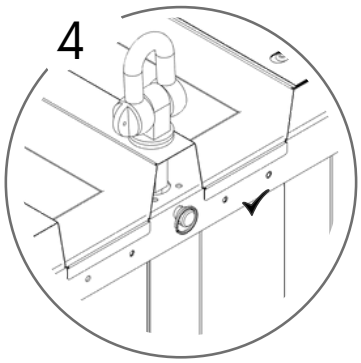
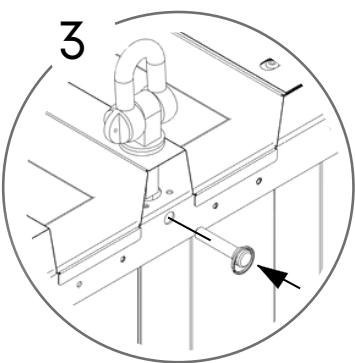
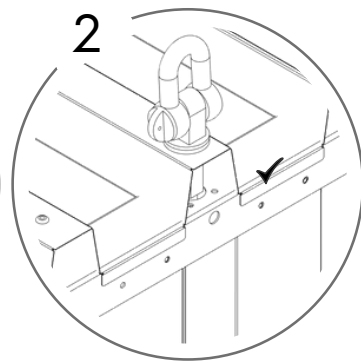
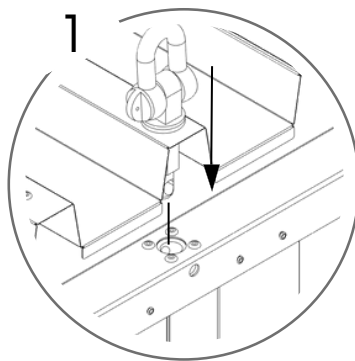
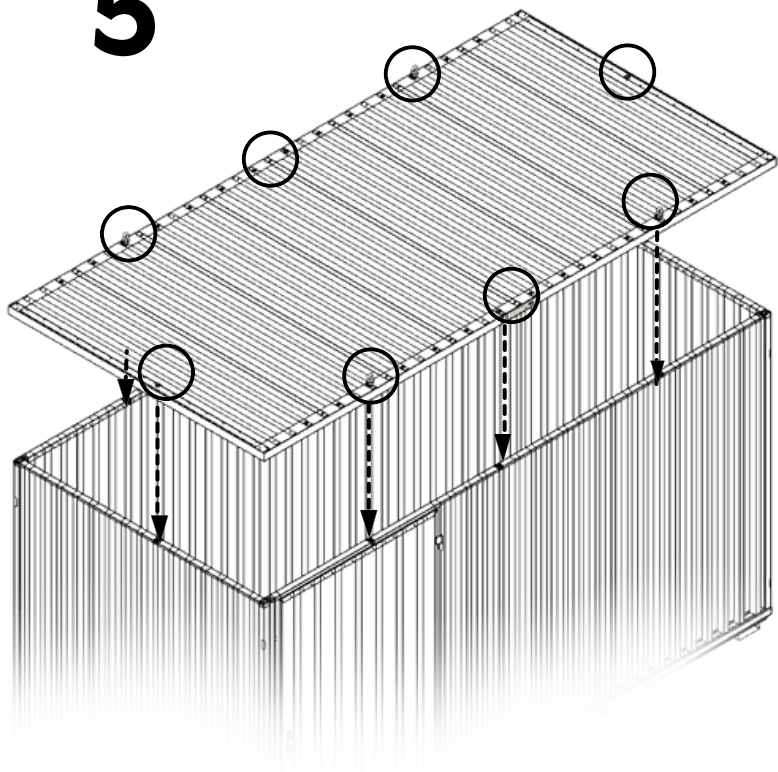
# 4.1



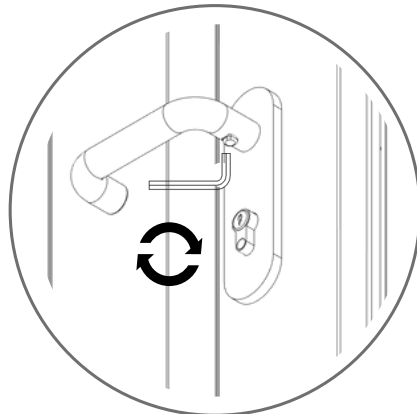
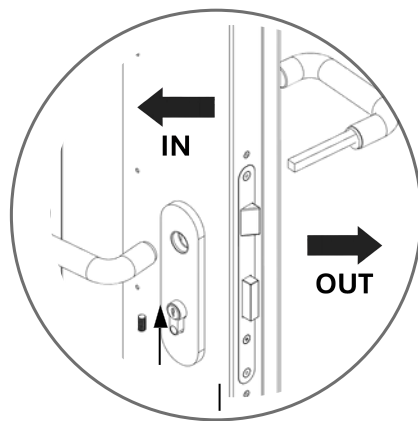
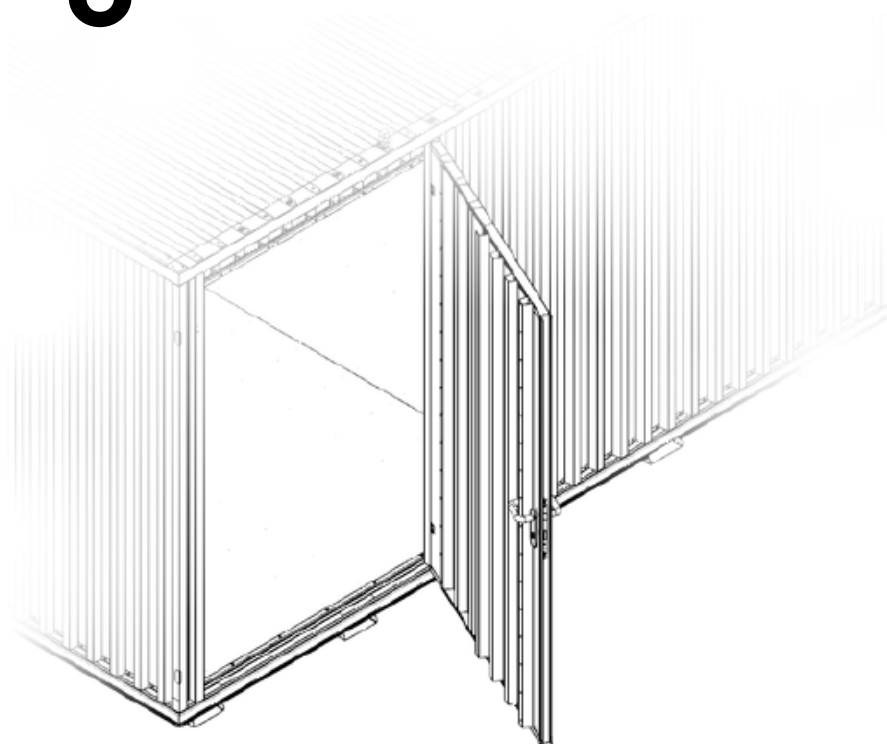
 422 KG	 1640 MM	Model Code: 40.110.450 Production Tracking Code: ..... /X09.1.40.450  9001  14001  50001	 	
---	--	--	---	---



# 5



# 6



7

