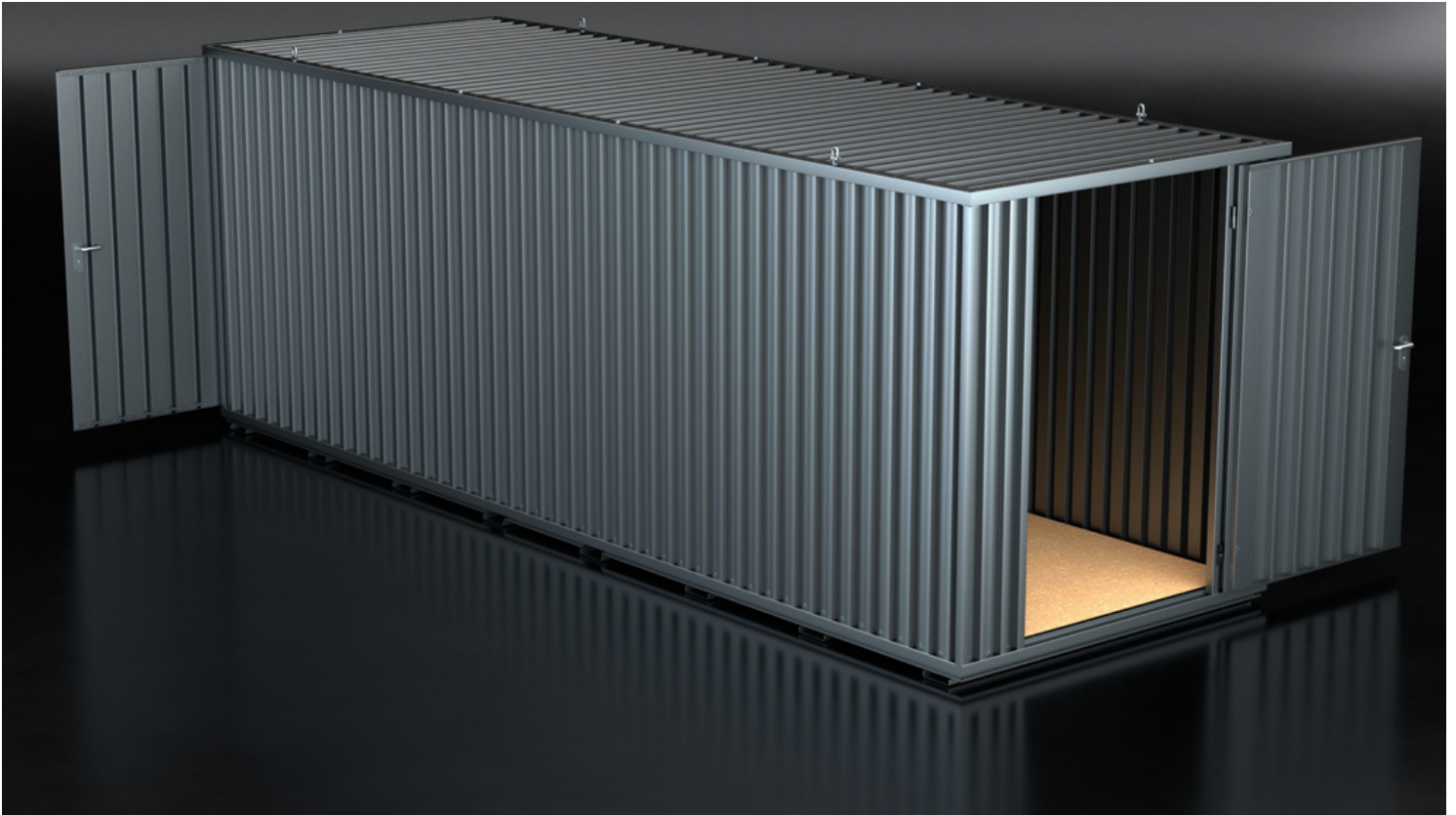


PRODUCT CODE:60.110.320.321

**prefabase**  
Quick Build Solutions

Instructions and User Guide



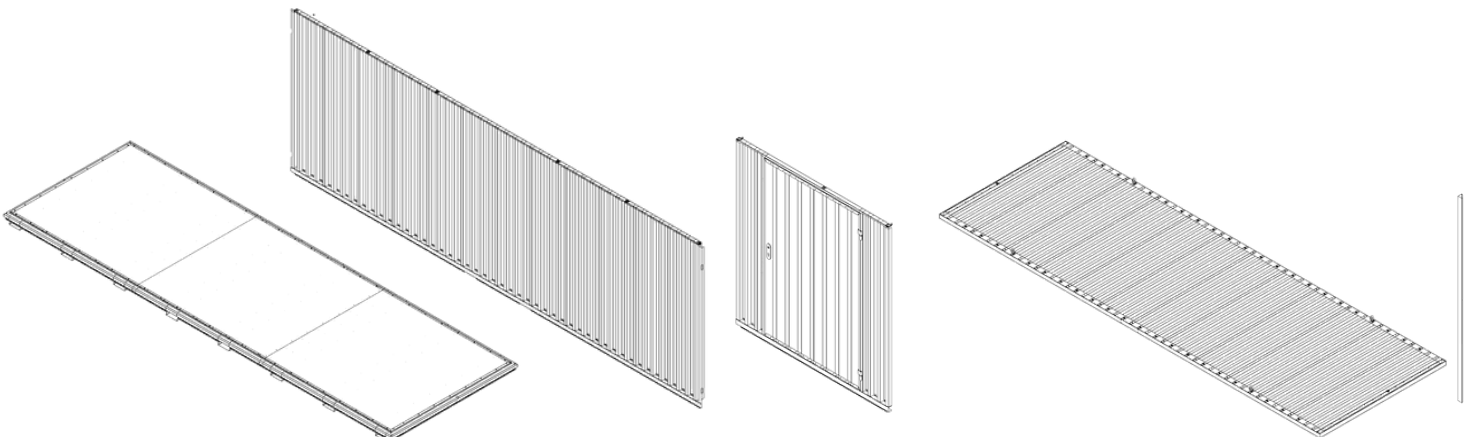
60.0110  
1x

60.0410  
2x

0320/0210  
2x

60.0510  
1x

0099.61.101  
4x





14x



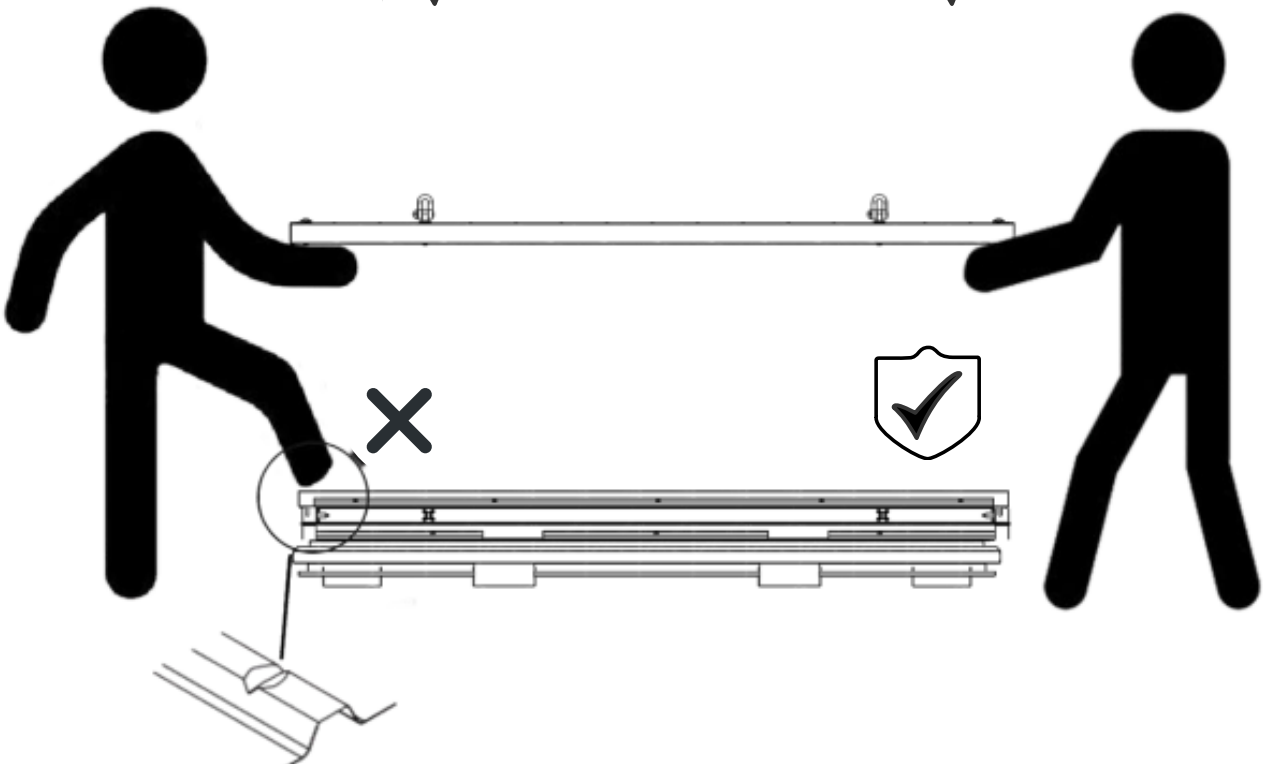
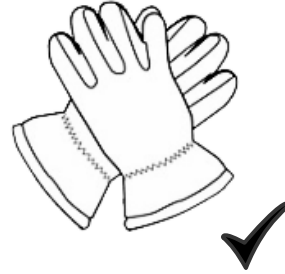
2x



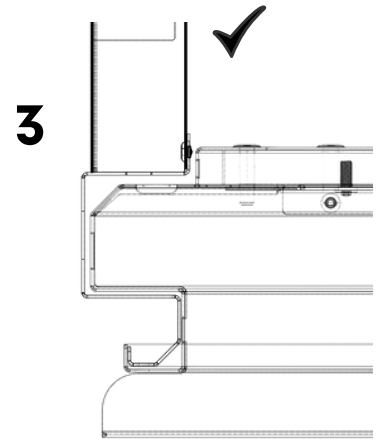
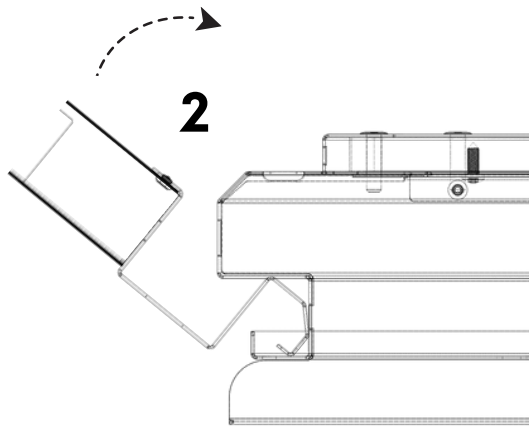
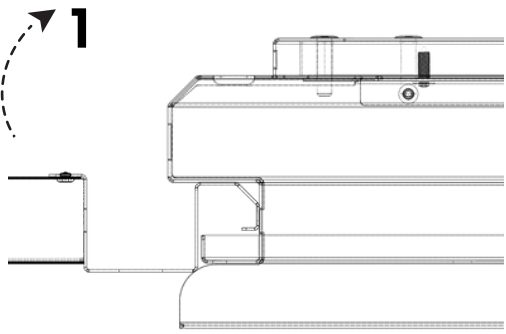
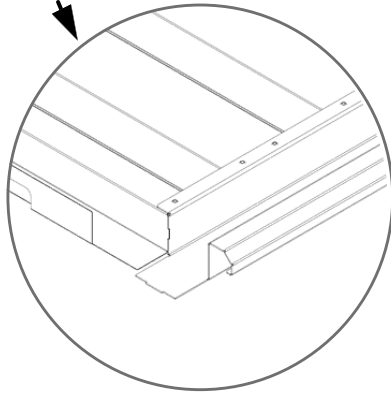
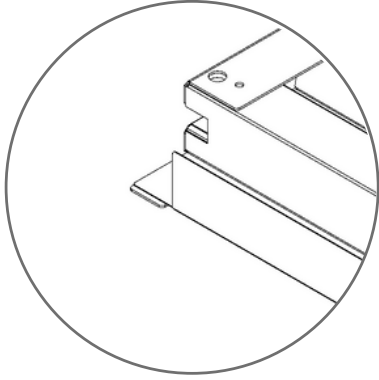
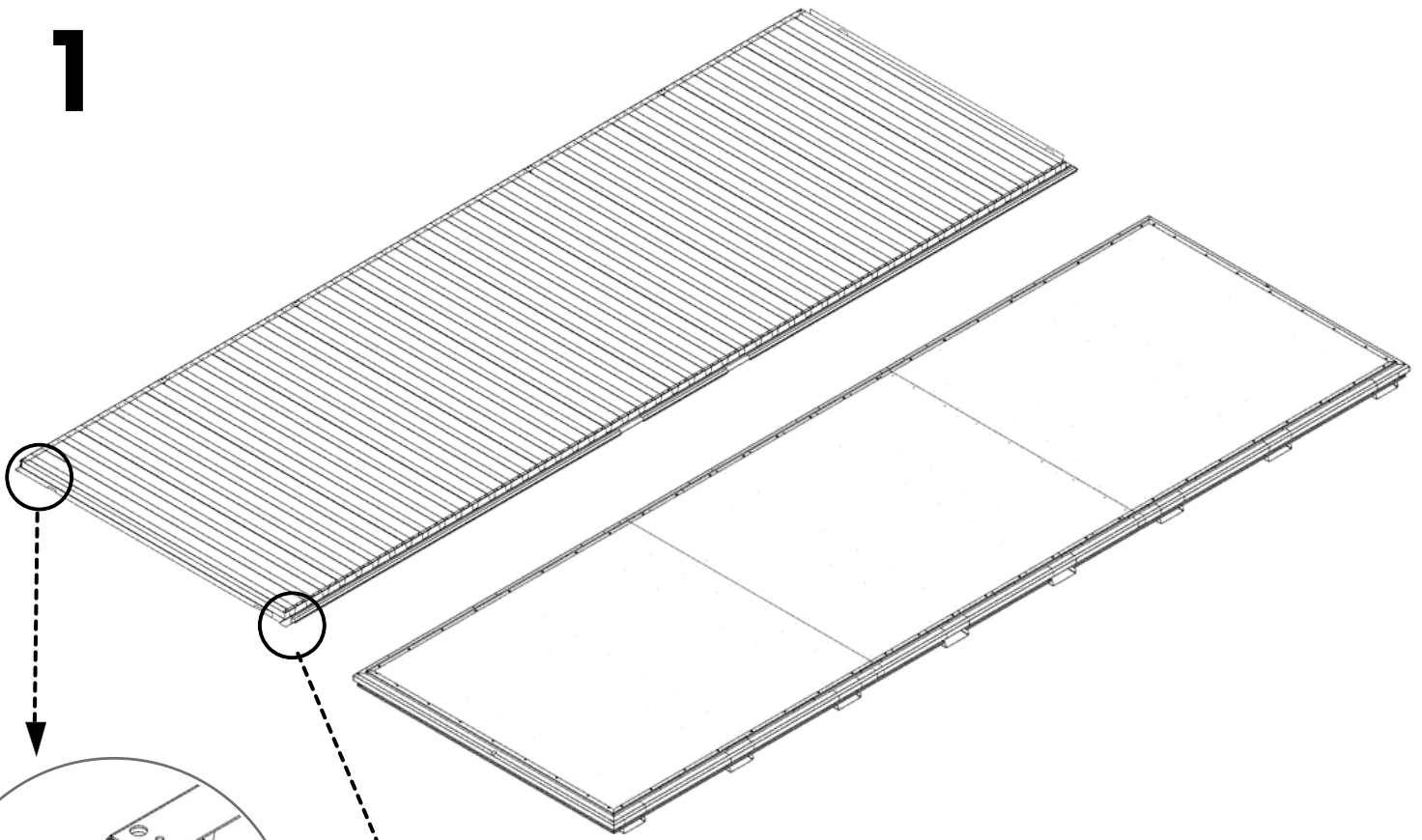
1x



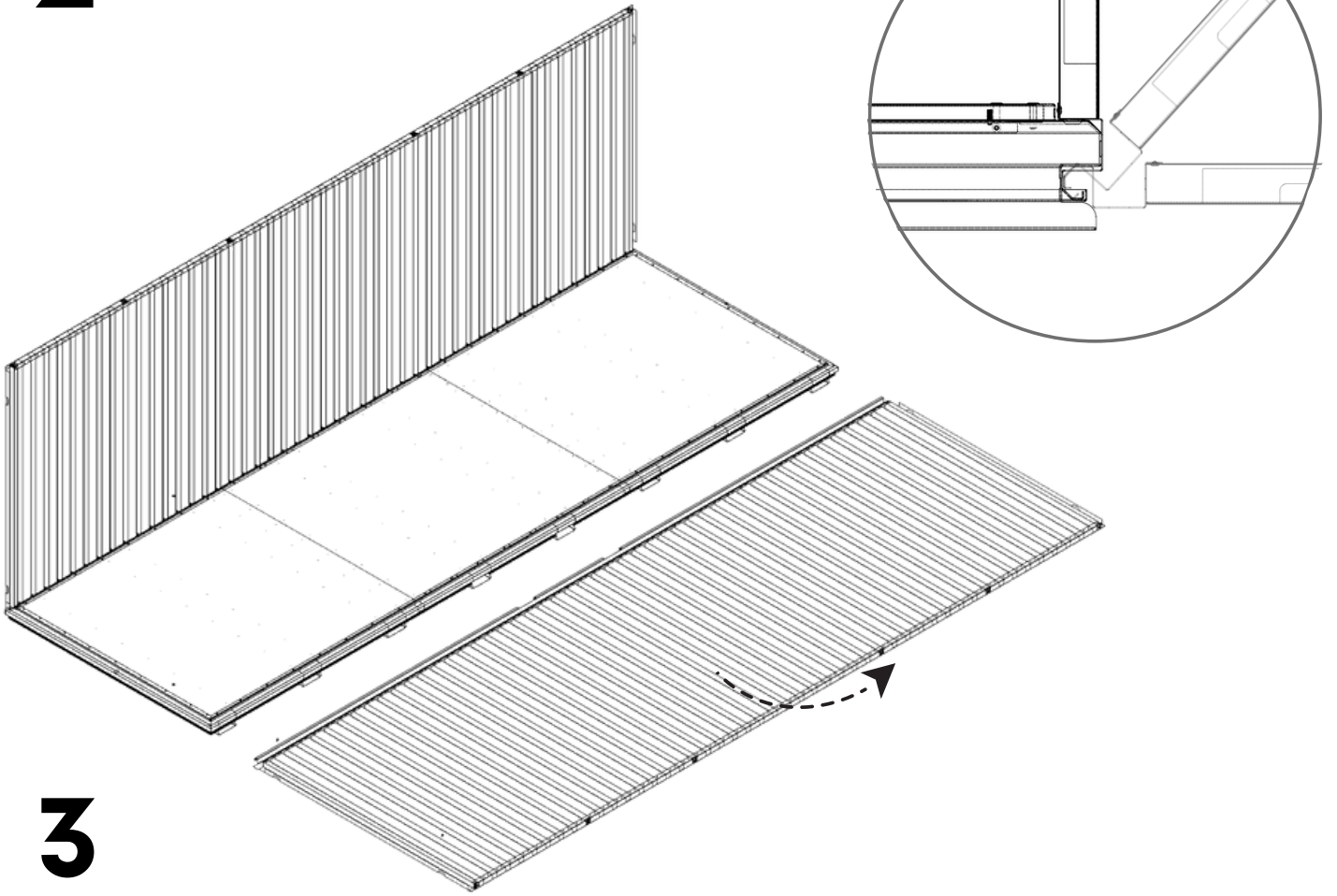
2x



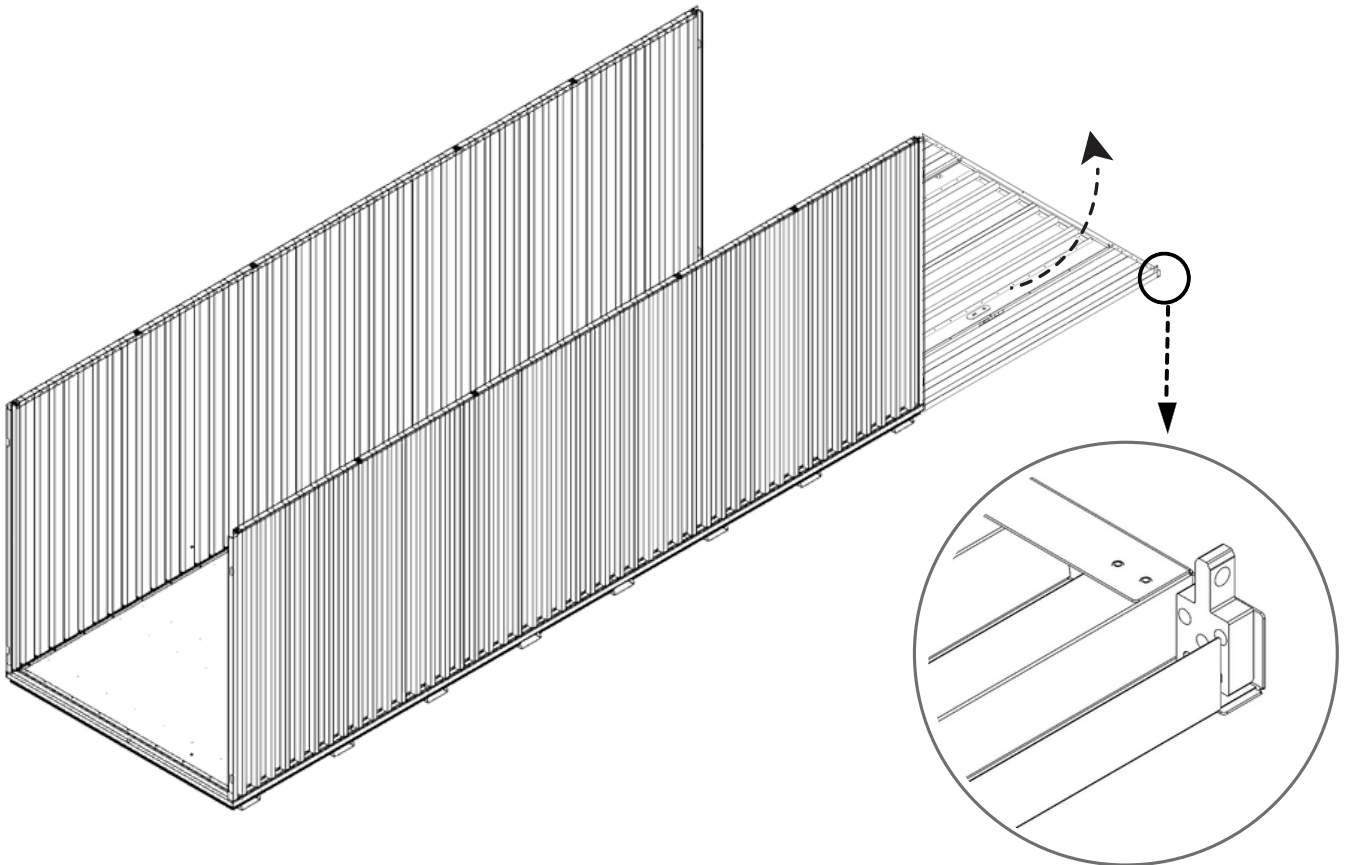
**1**



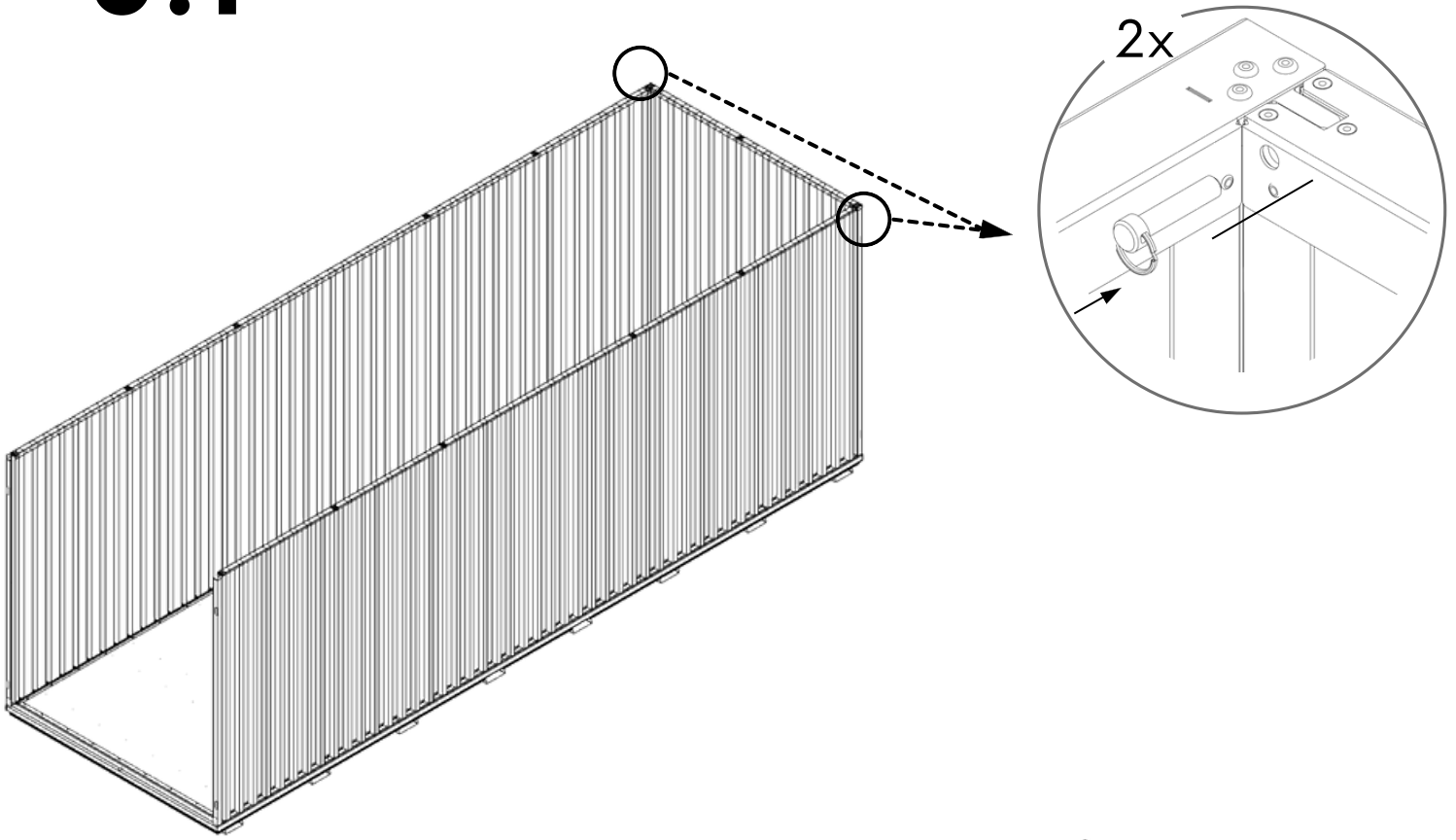
**2**



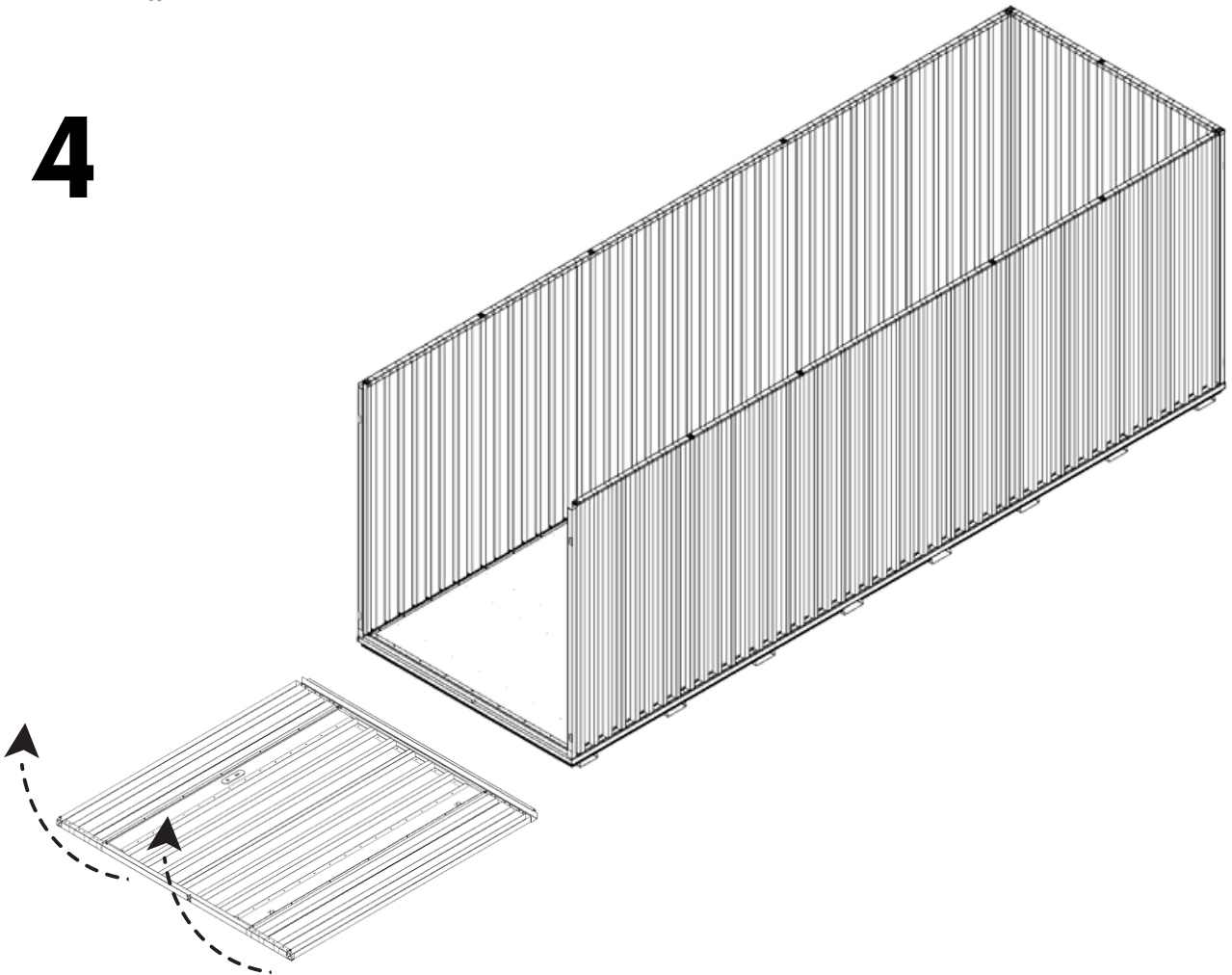
**3**



# 3.1

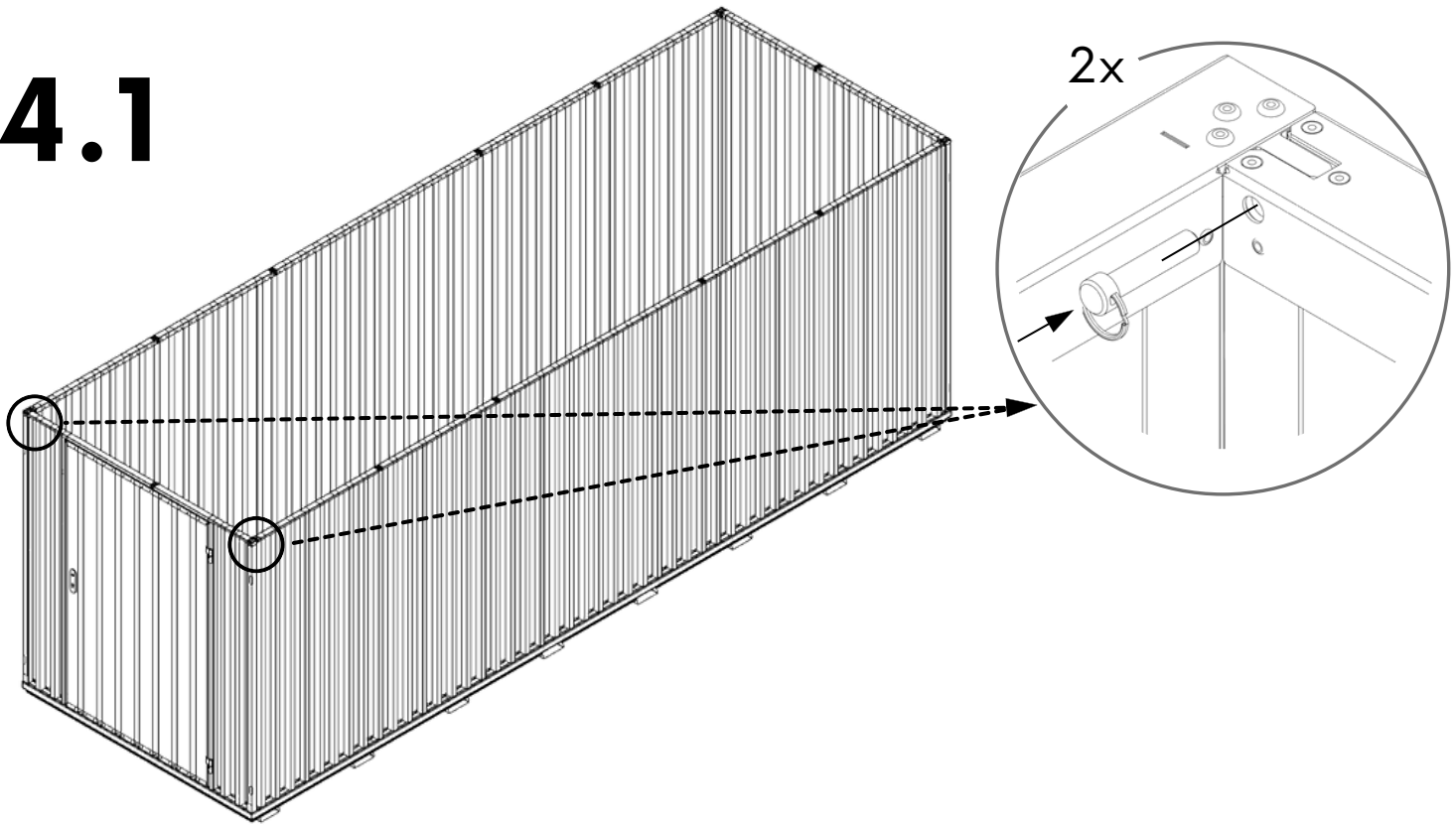











# 4

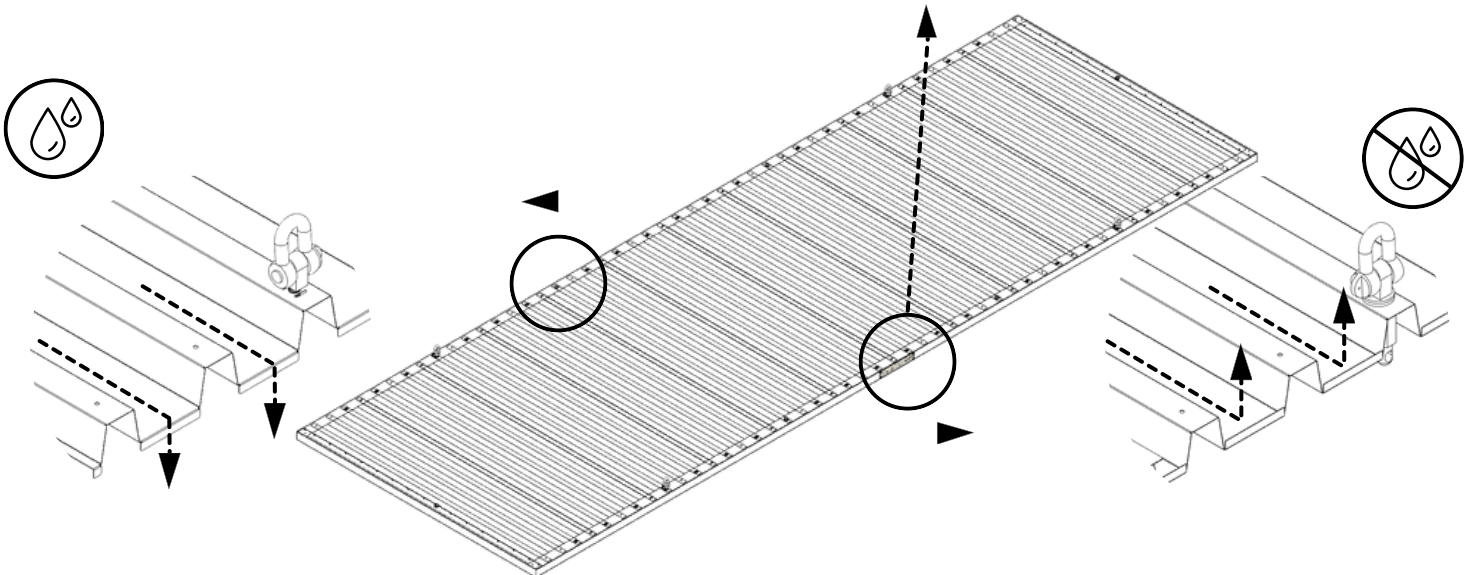




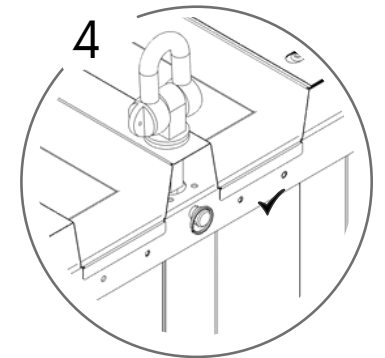
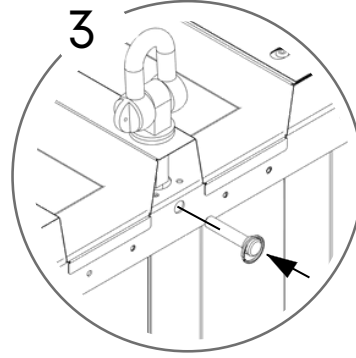
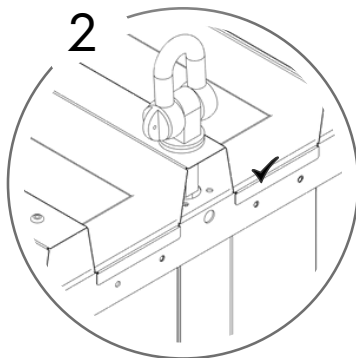
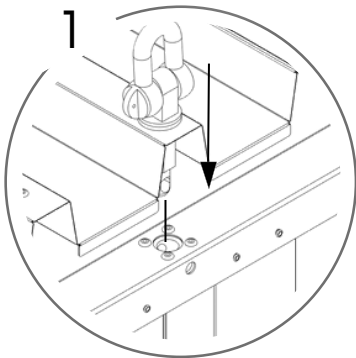
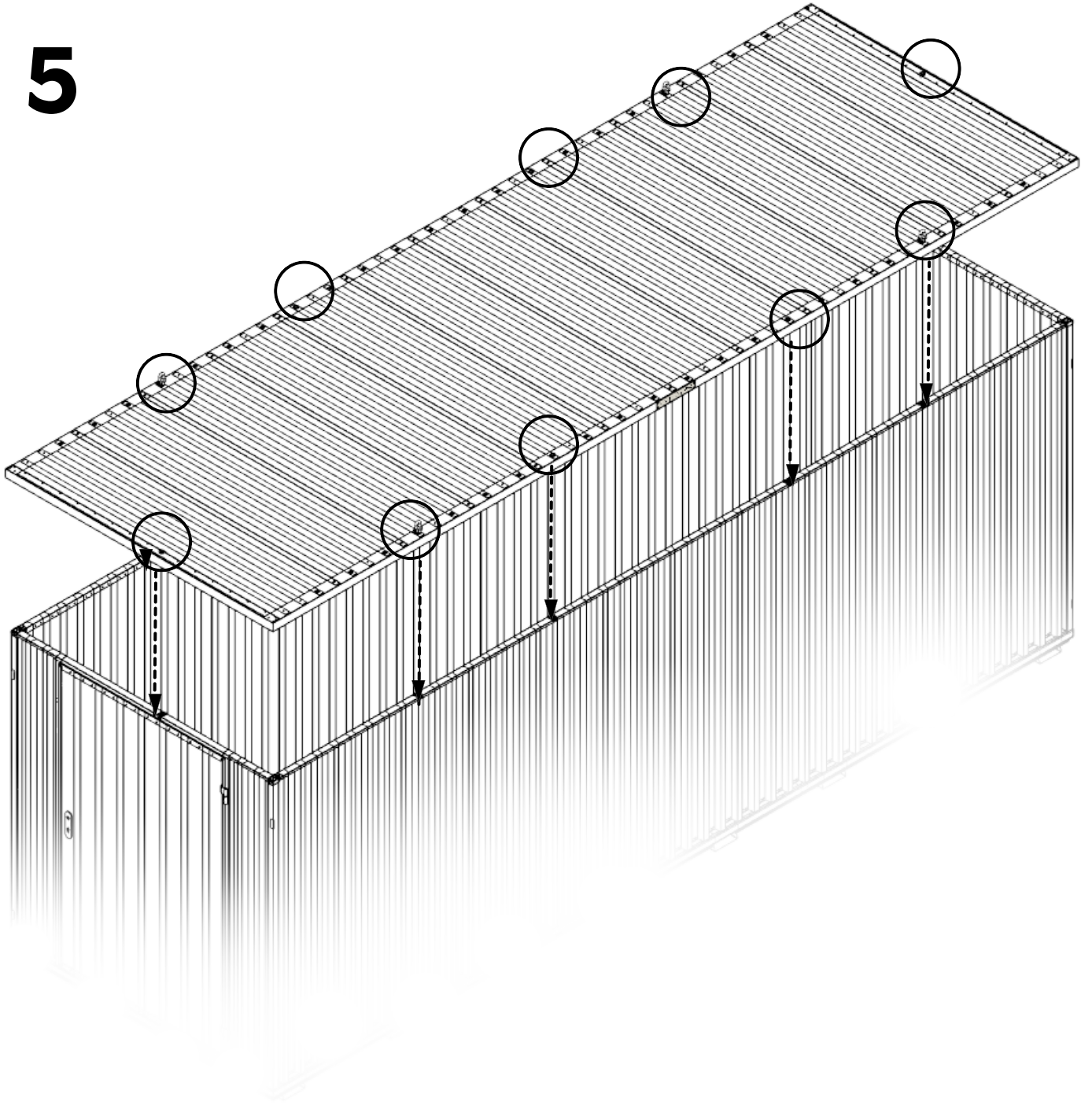
# 4.1



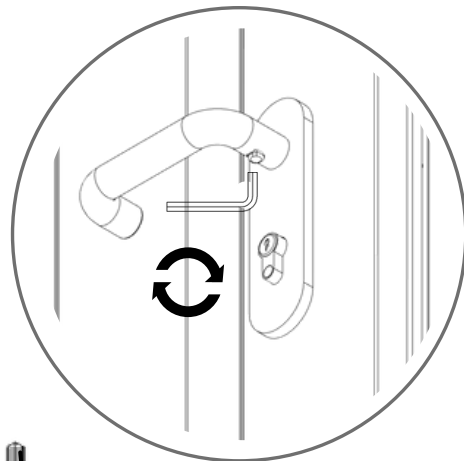
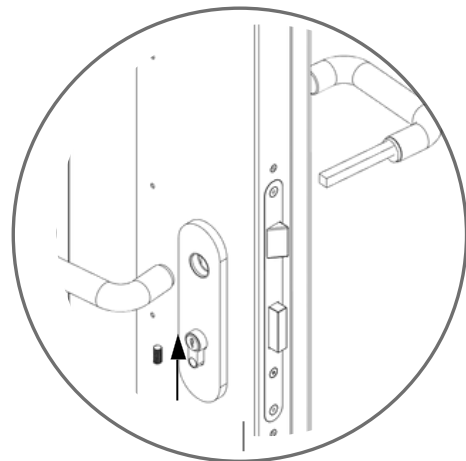
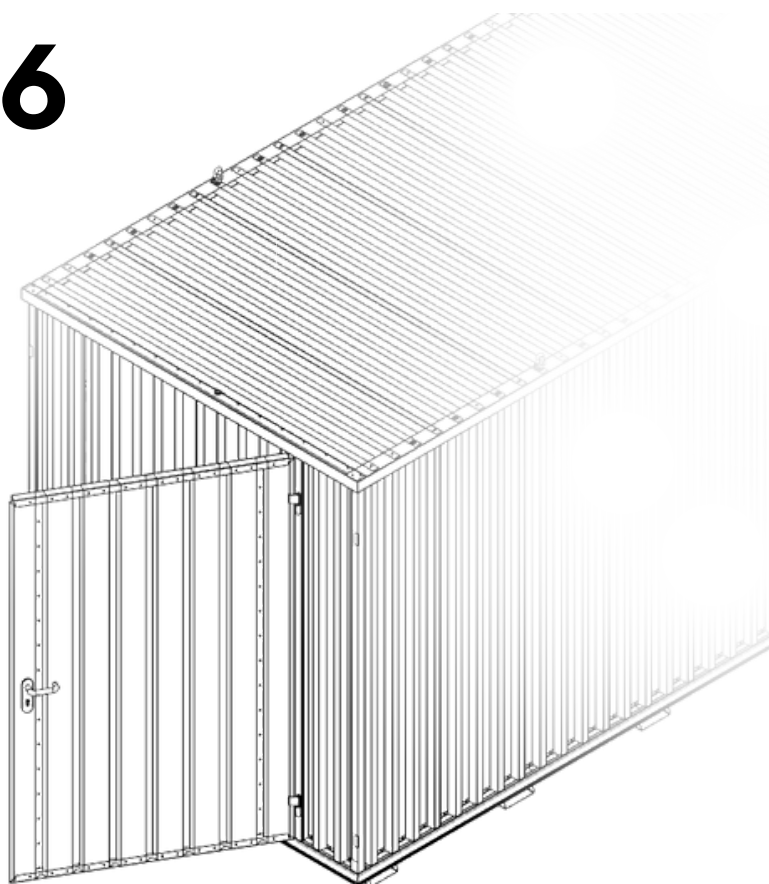
 336 KG	 3 TON	 1640 MM	Model Code: 30.110.440 Production Tracking Code: .....X09.1.30.440  9001  14001  50001	  
-----------------------------------------------------------------------------------------------	----------------------------------------------------------------------------------------------	------------------------------------------------------------------------------------------------	---------------------------------------------------------------------------------------------------------------------------------------------------------------------------------------------------------------------------------------------------------------------------------------------------------------------------------------------------------------	-------------------------------------------------------------------------------------------------------------------------------------------------------------------------------------------------------------------------------------------------------------------



# 5



6



7

