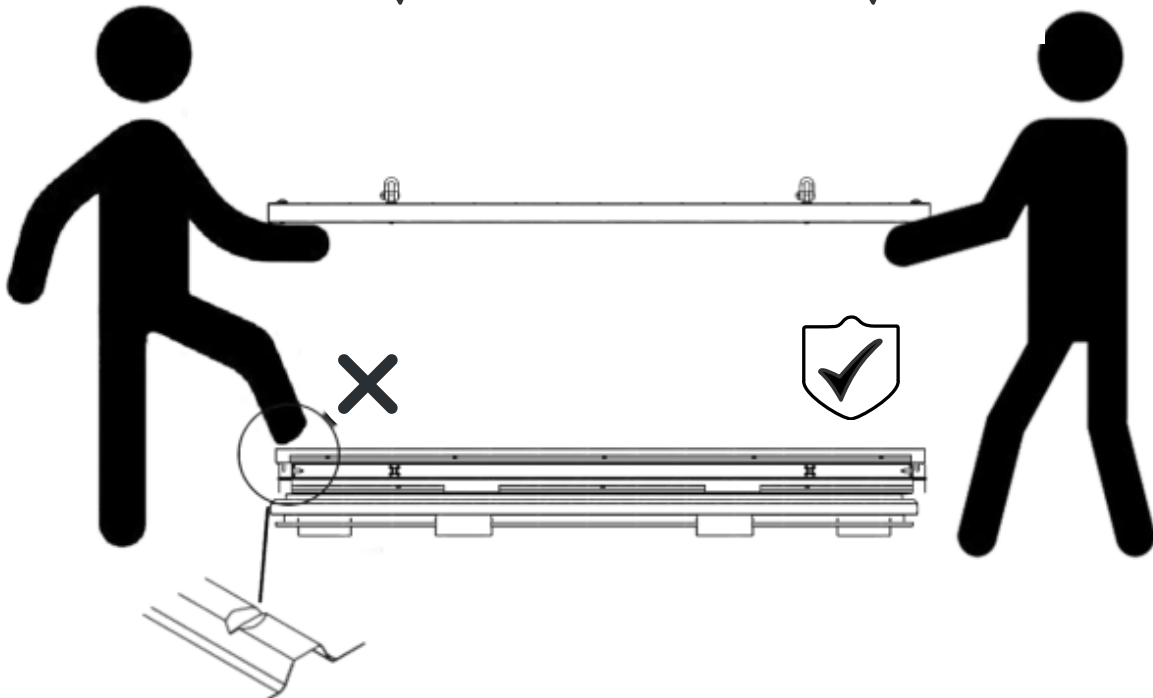
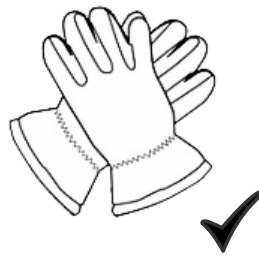


PRODUCT CODE:505.110.420.431

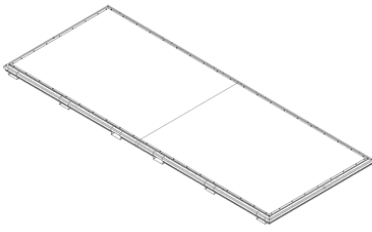
prefabase
Quick Build Solutions

Instructions and User Guide



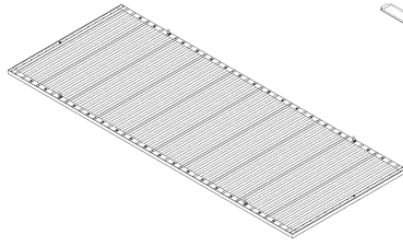
50.0110

2x



50.0510

2x



505.0110

1x



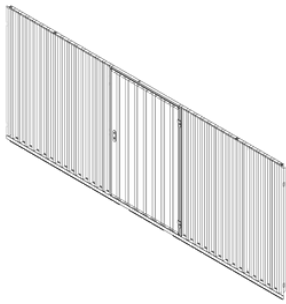
505.0510

1x



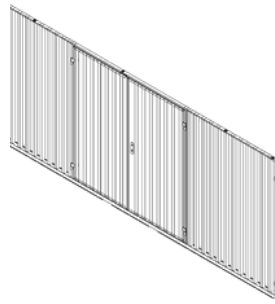
50.0420

1x



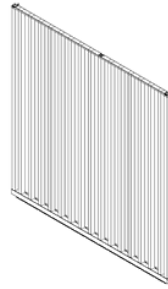
50.0430

1x



0310

4x



305.20.08

2x



305.20.09

2x

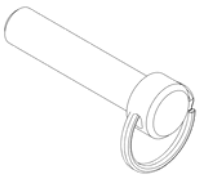


61.101

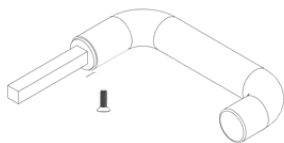
4x



24x



2x



10x



10x



10x



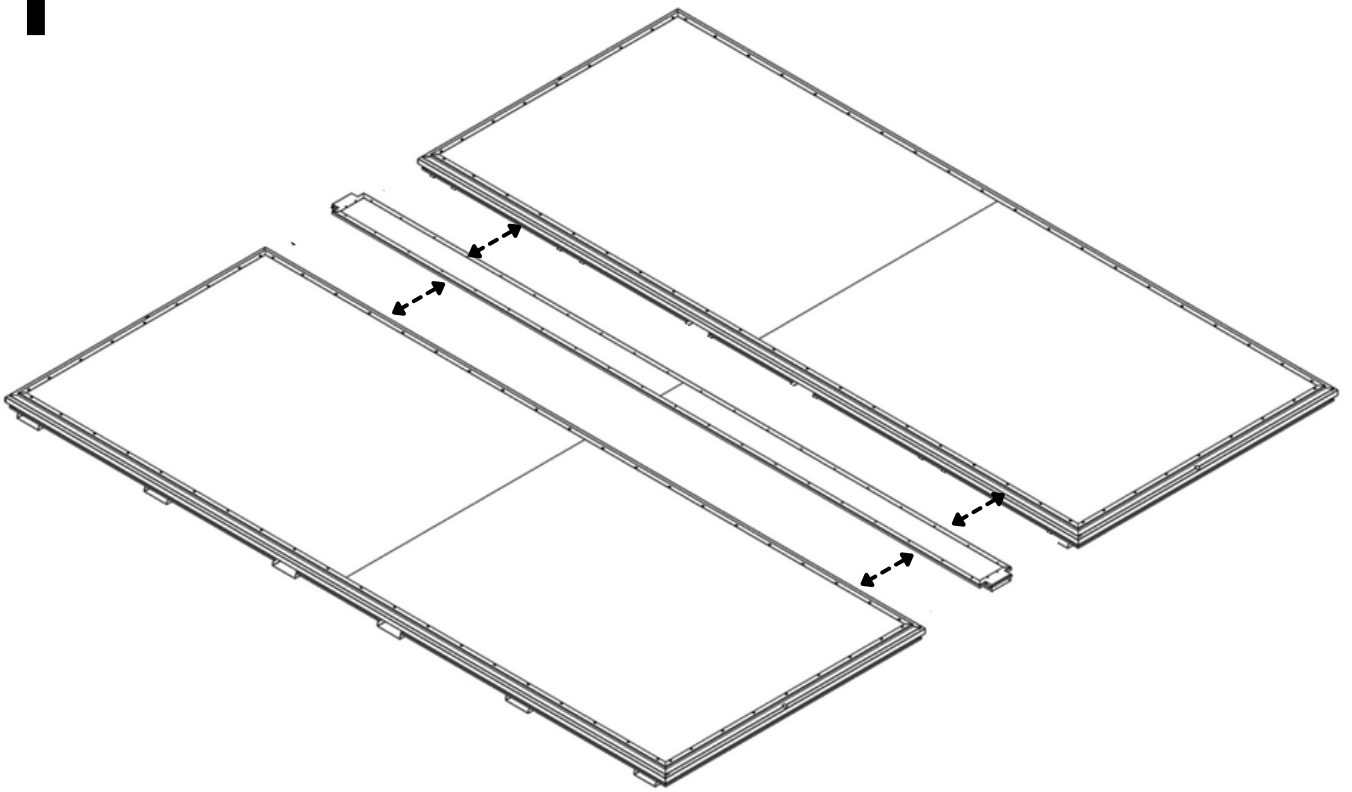
1x



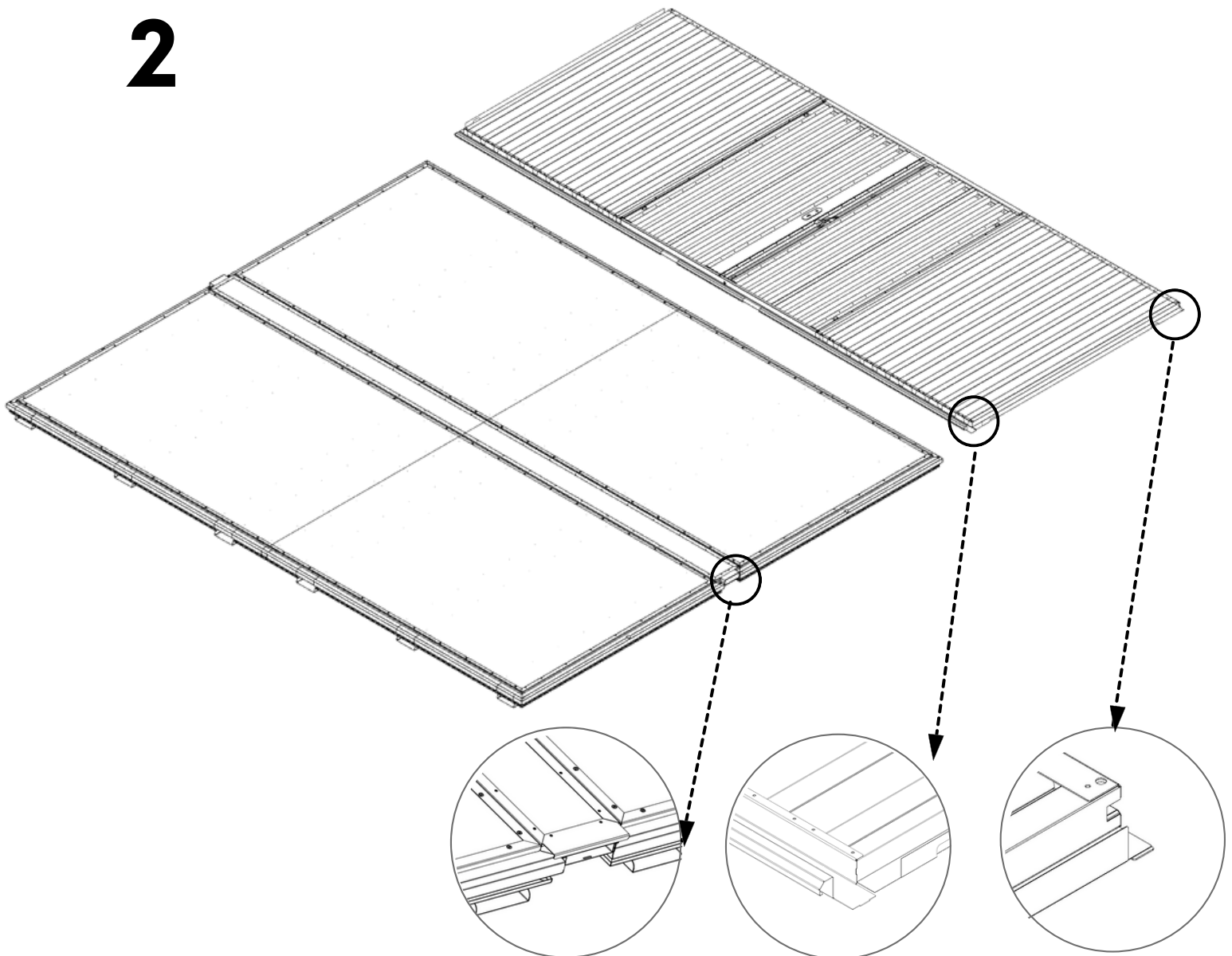
2x

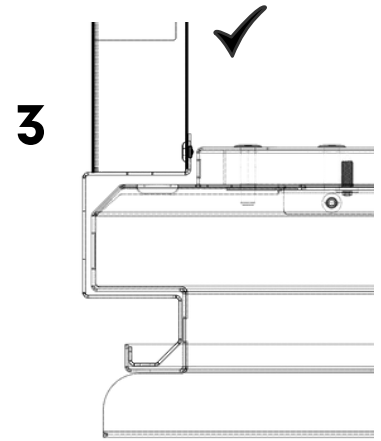
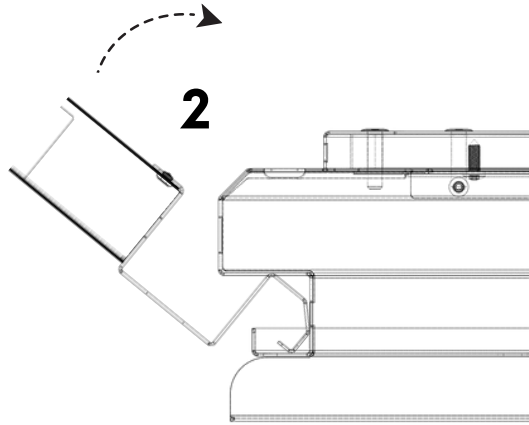
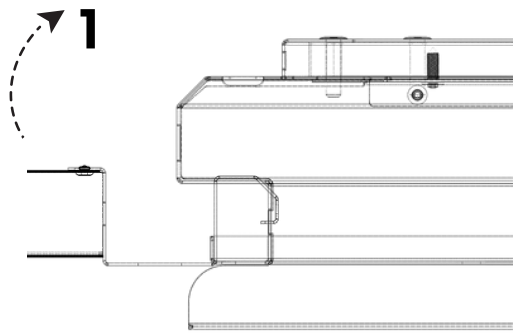


1

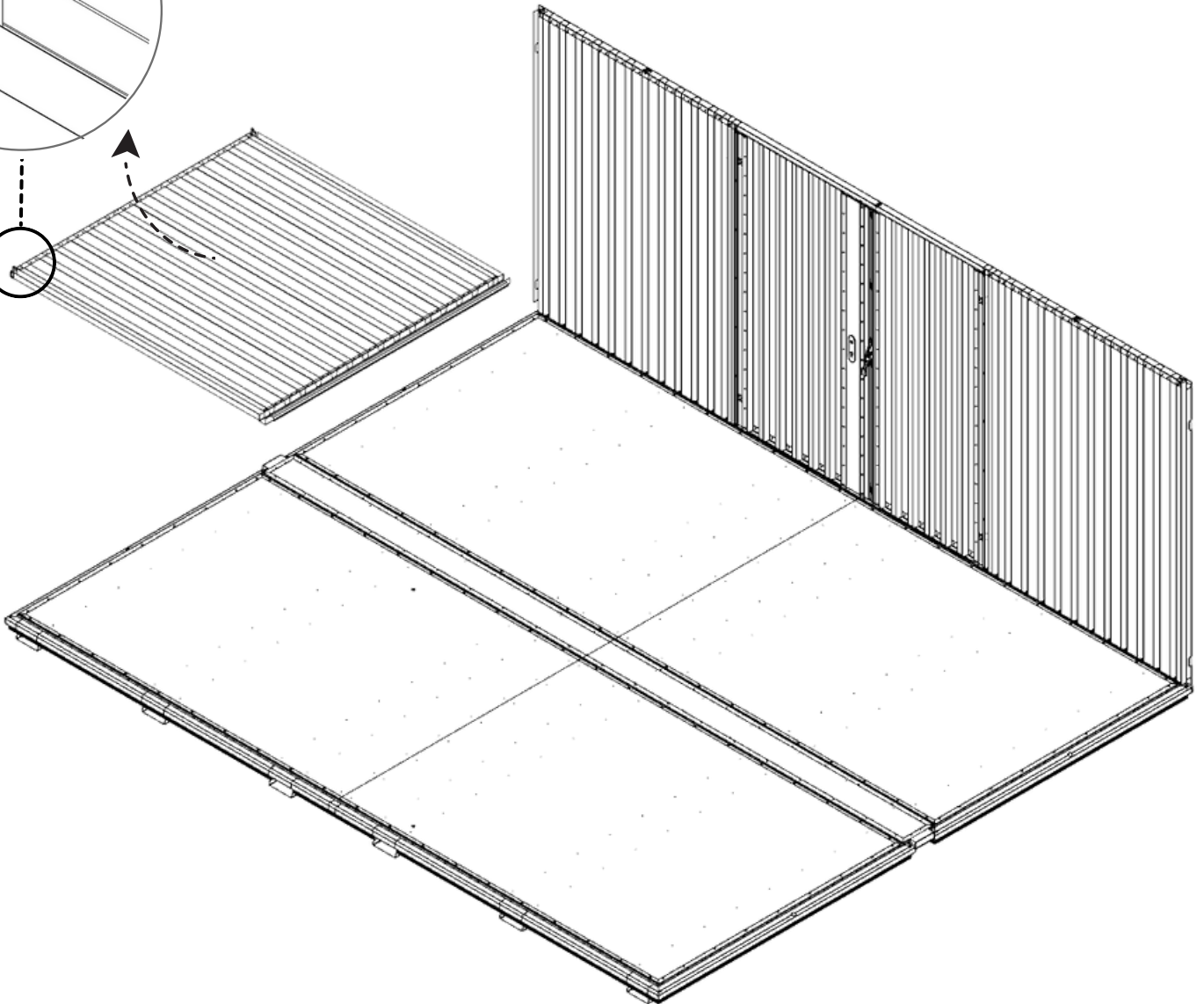
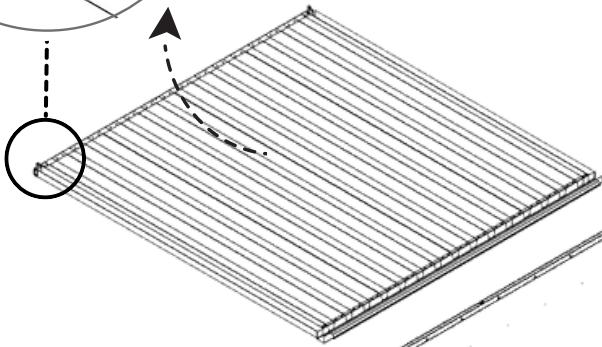
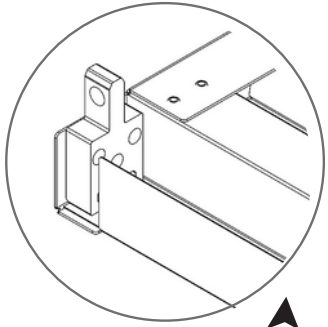


2

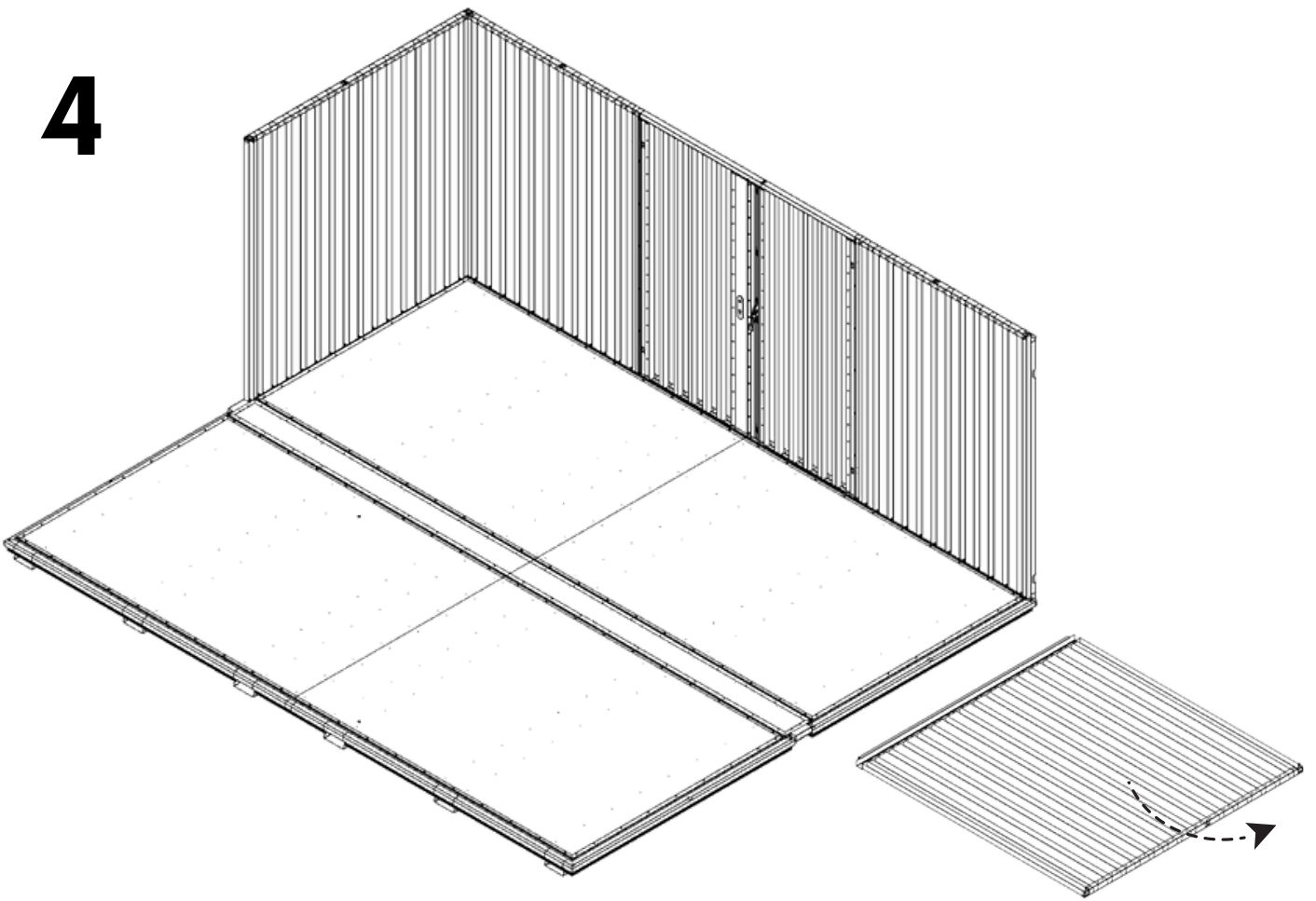




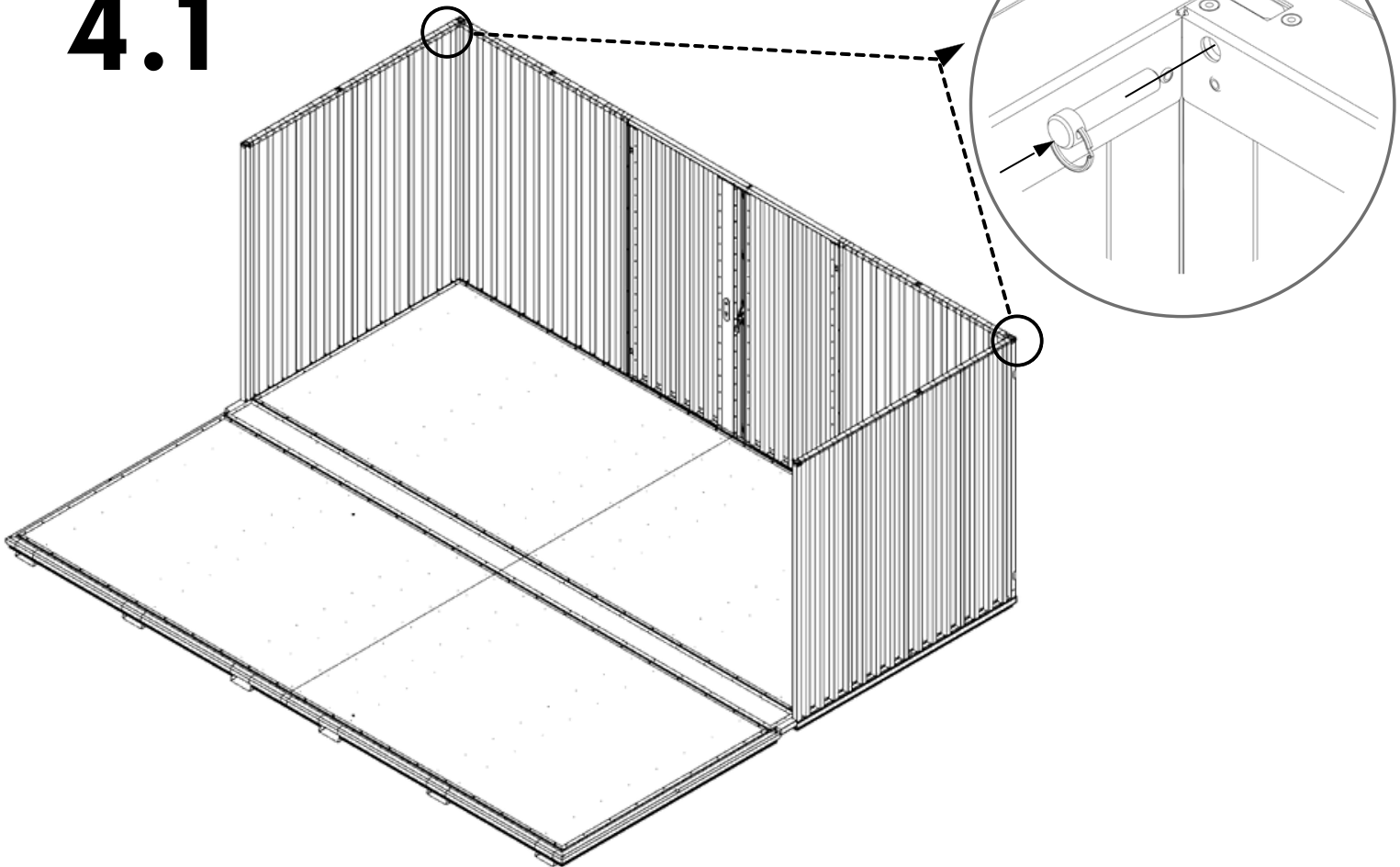
3



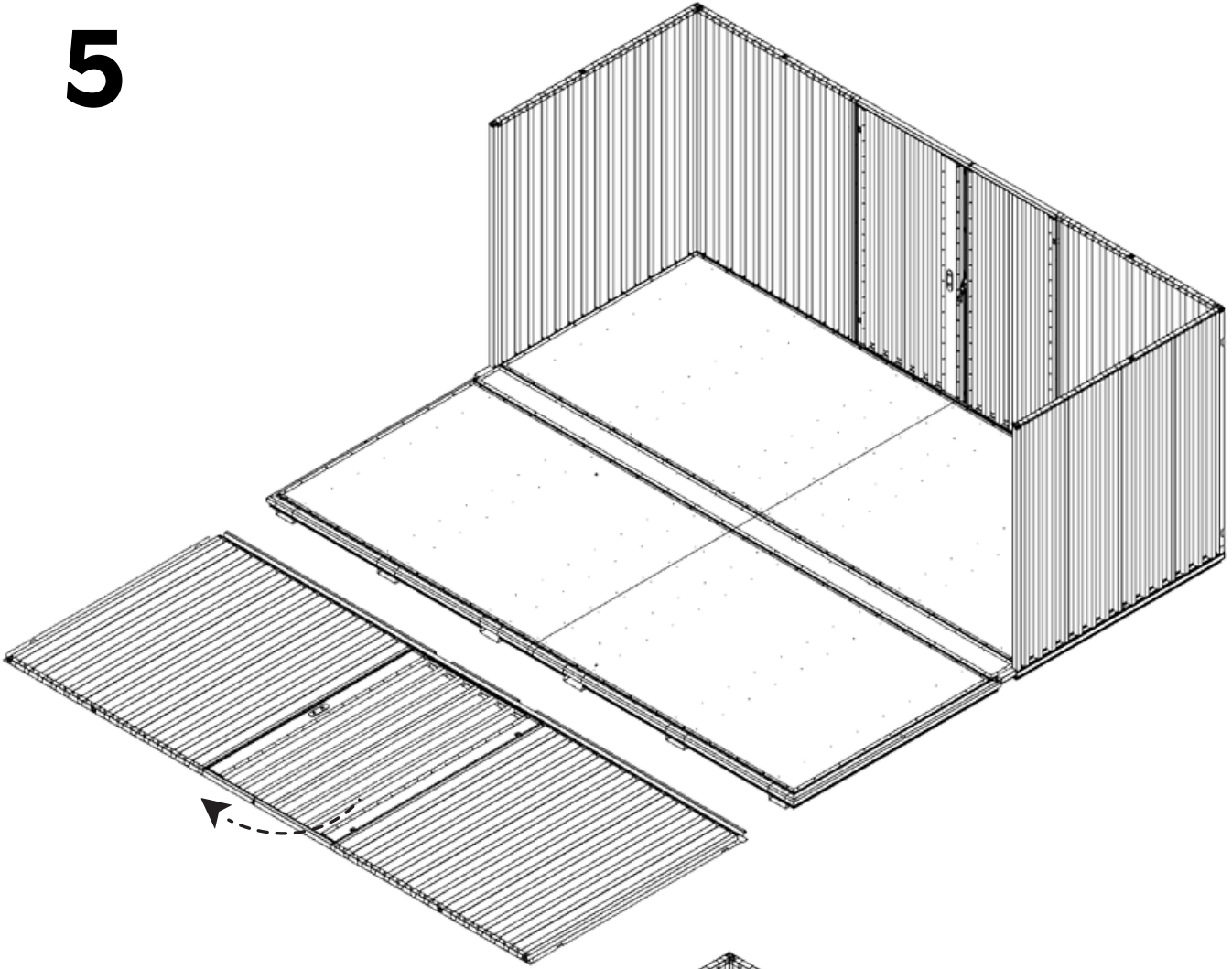
4



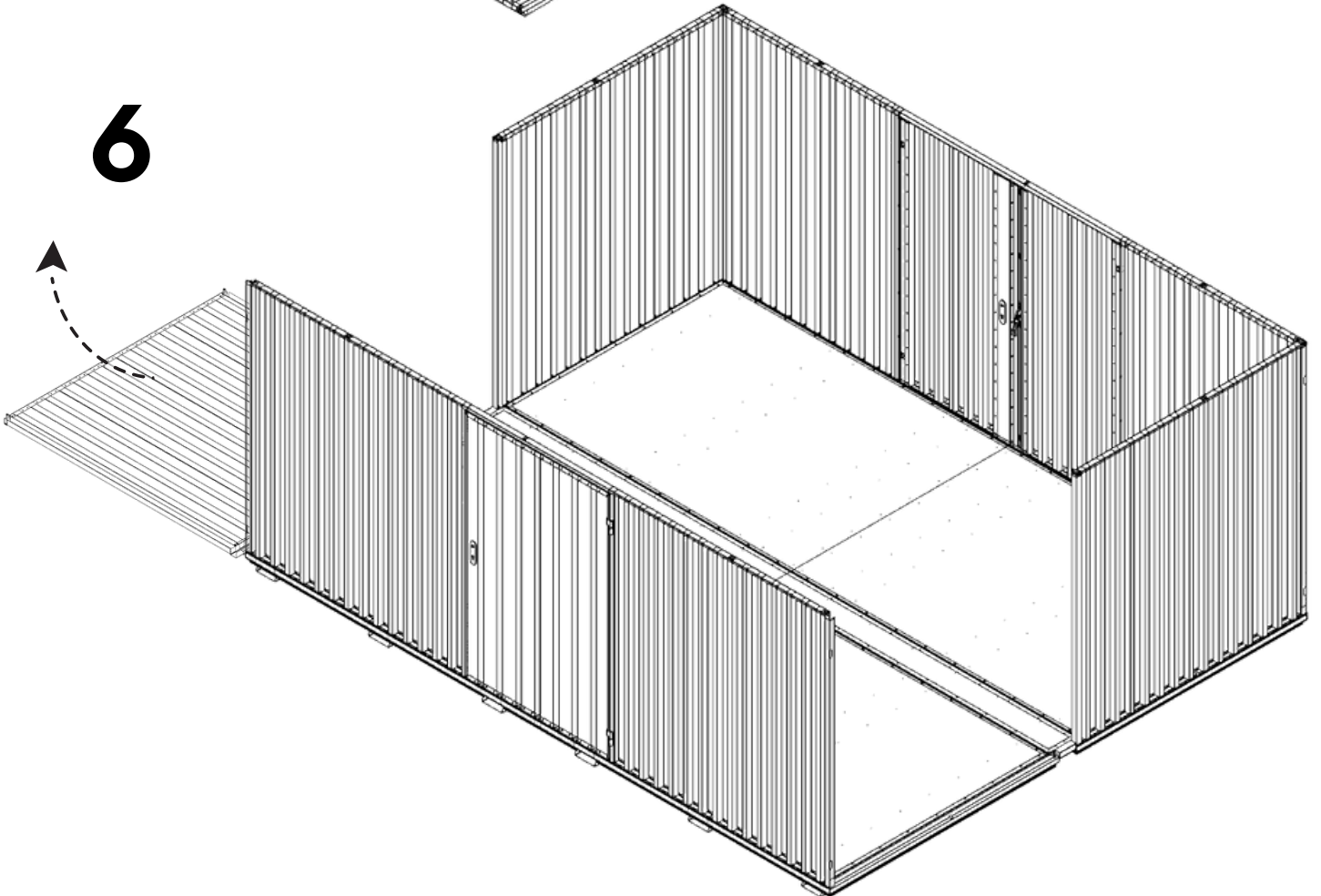
4.1



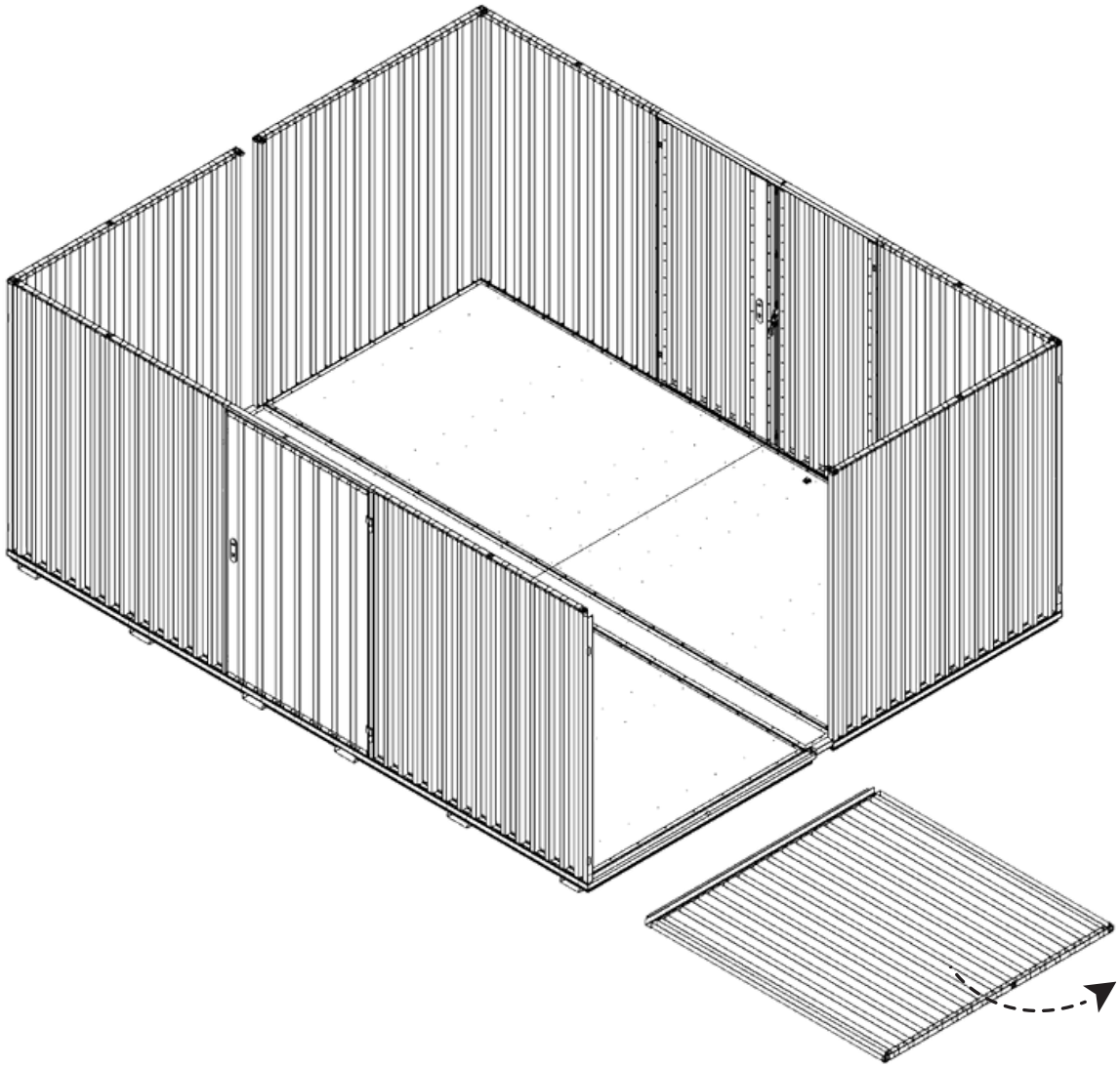
5



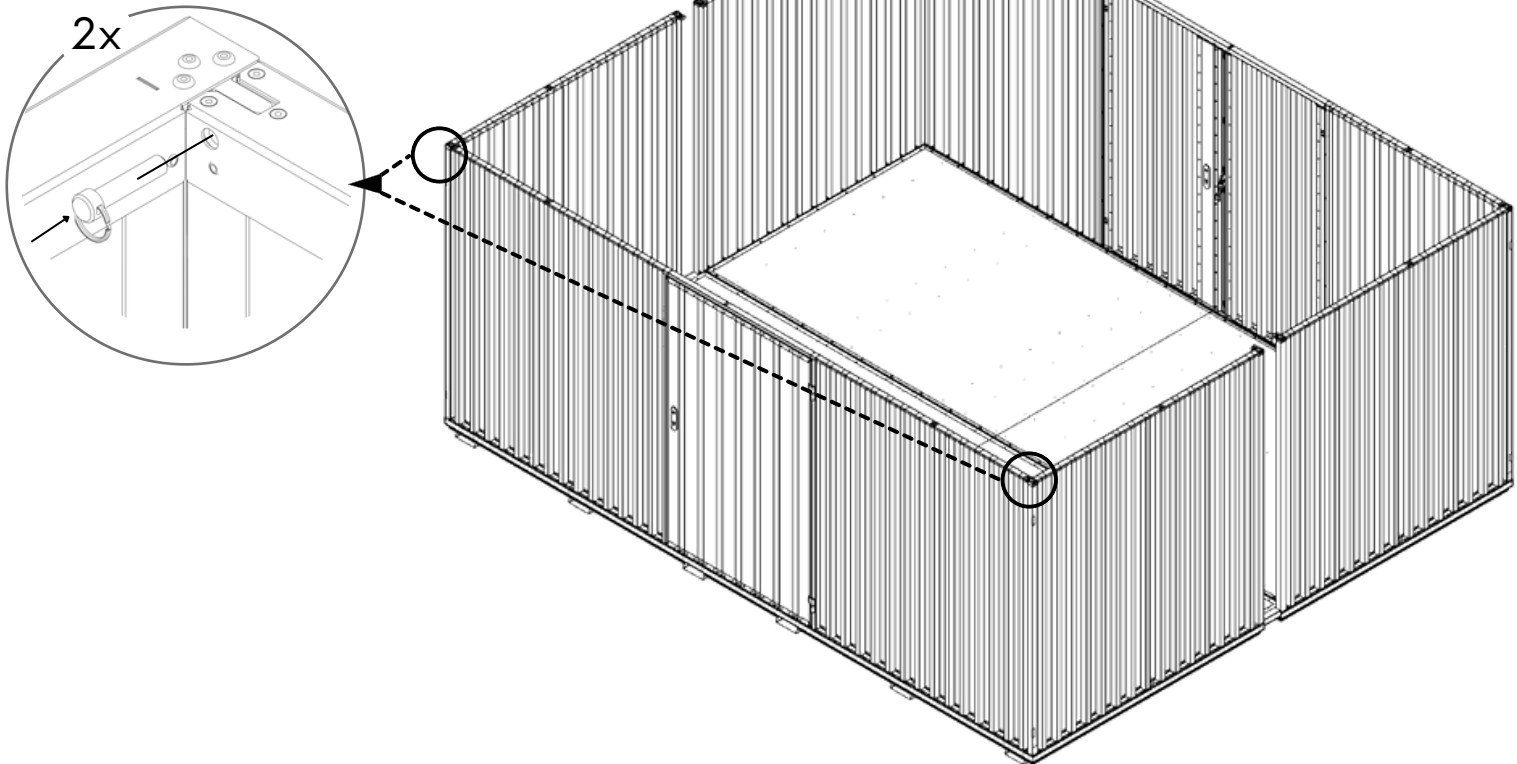
6



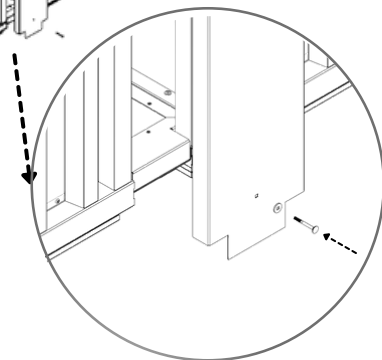
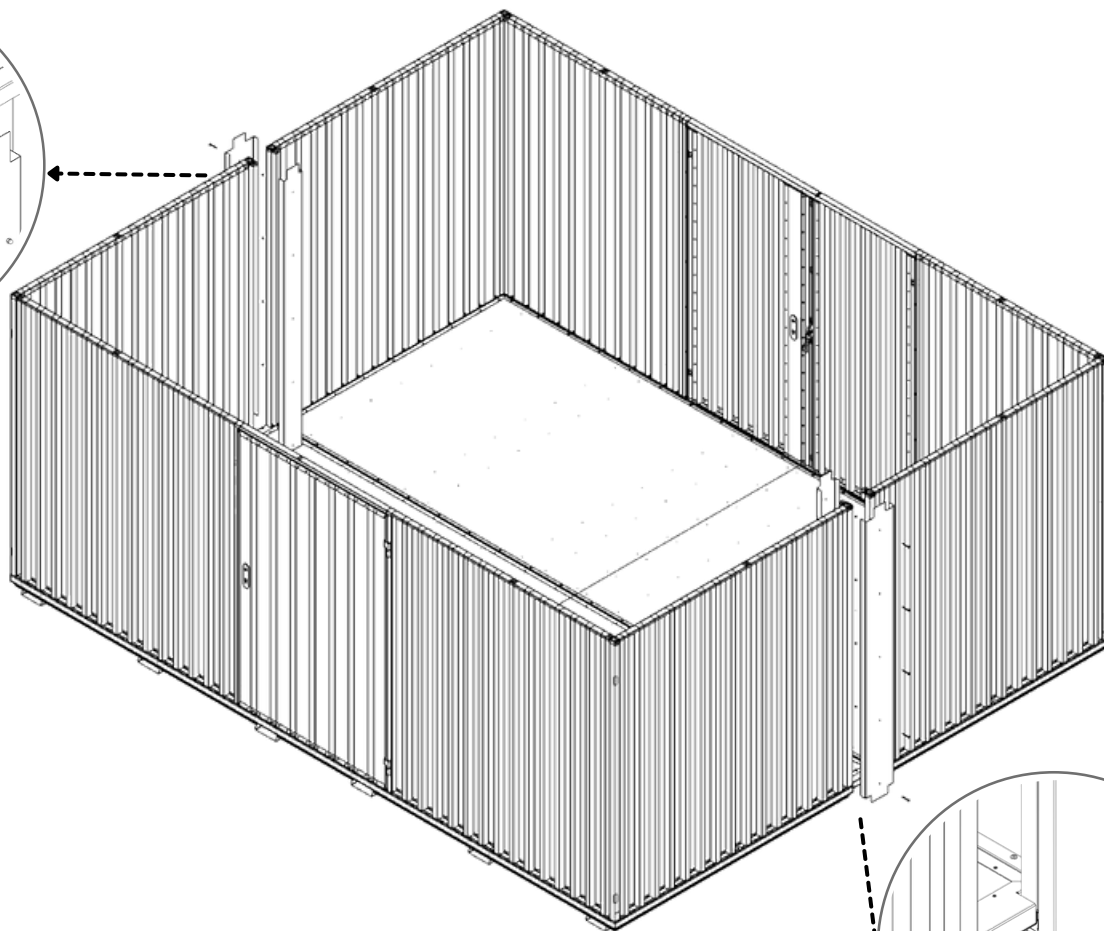
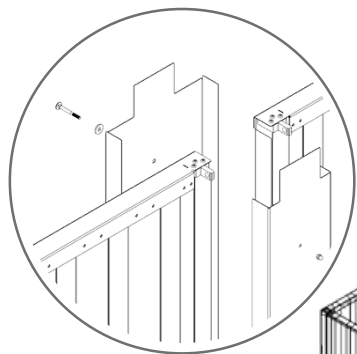
7



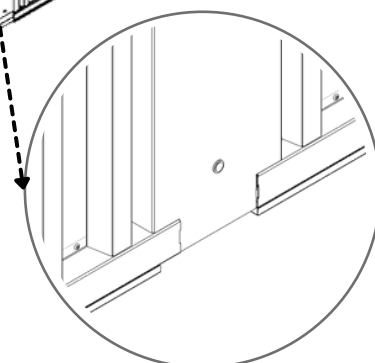
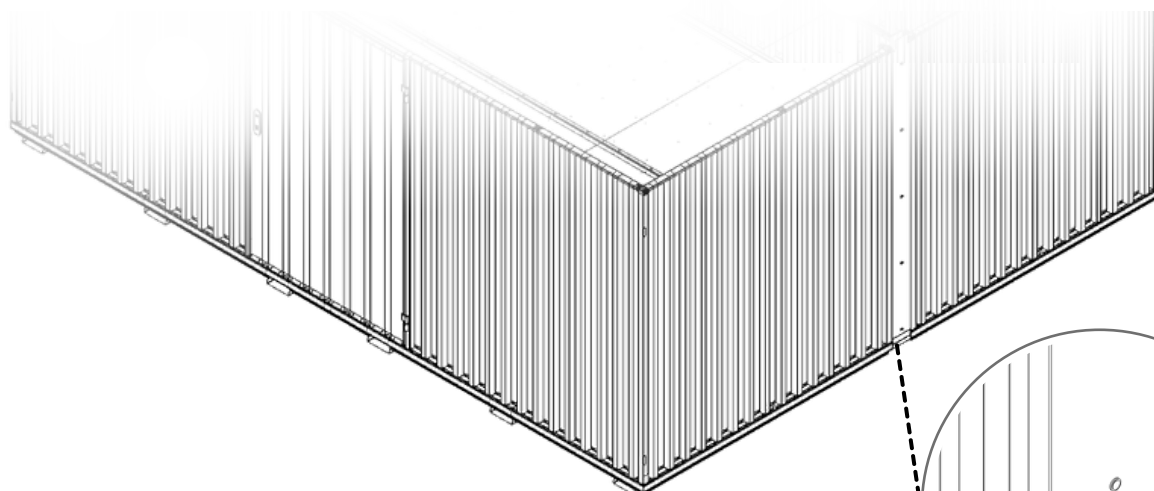
7.1



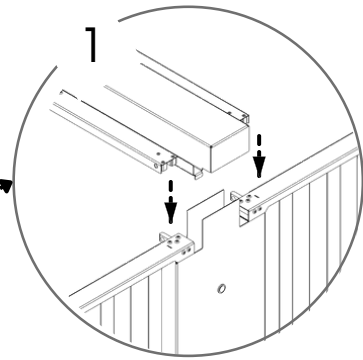
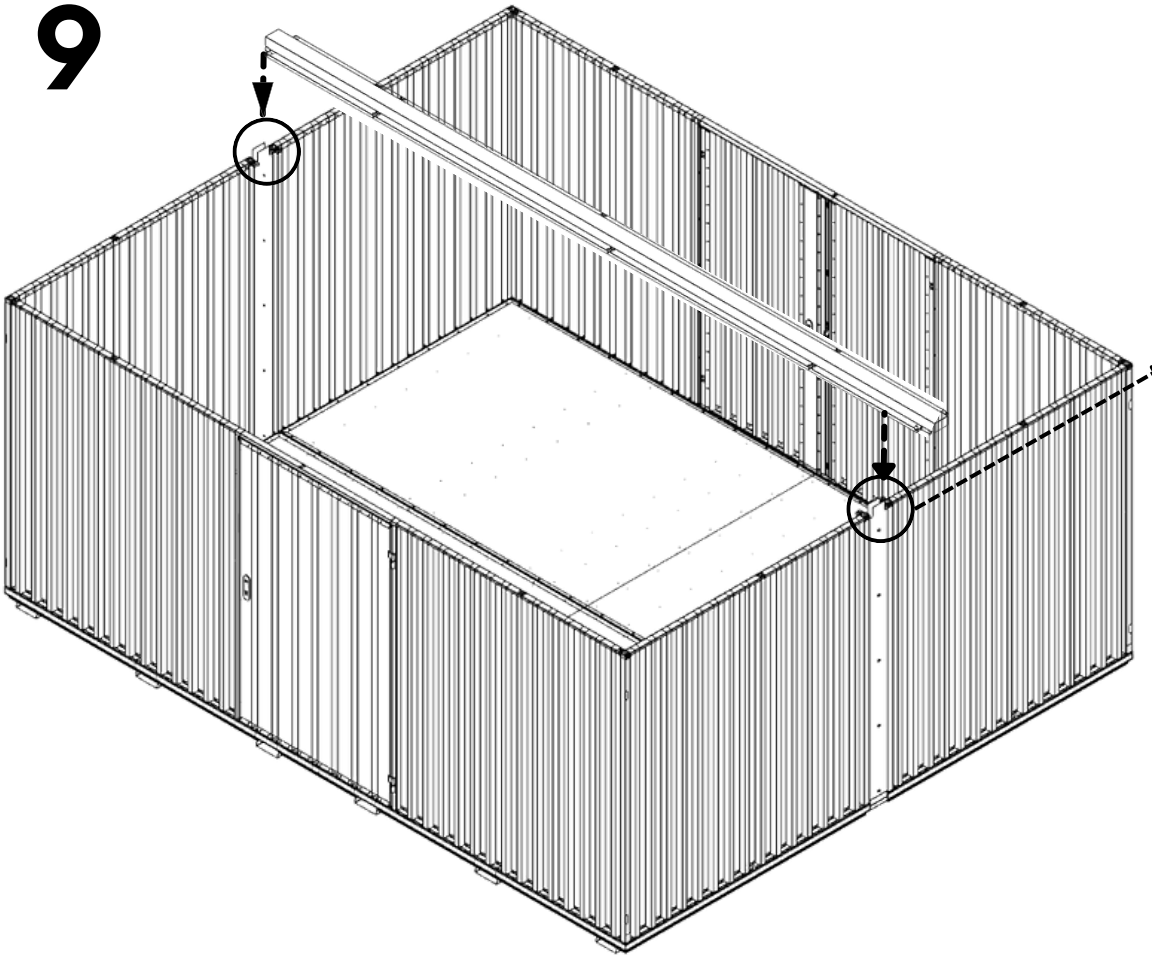
8



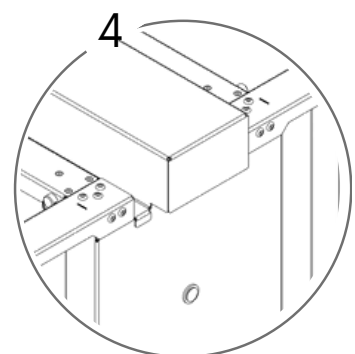
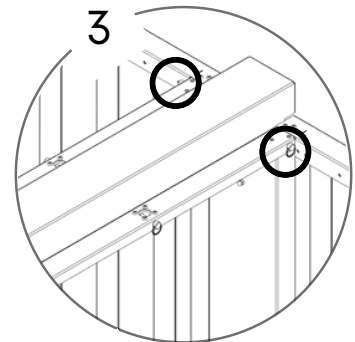
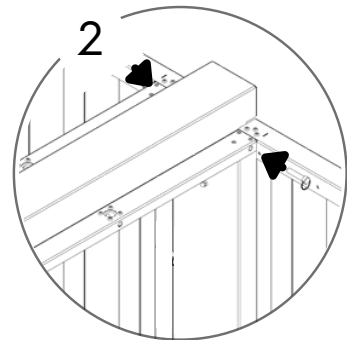
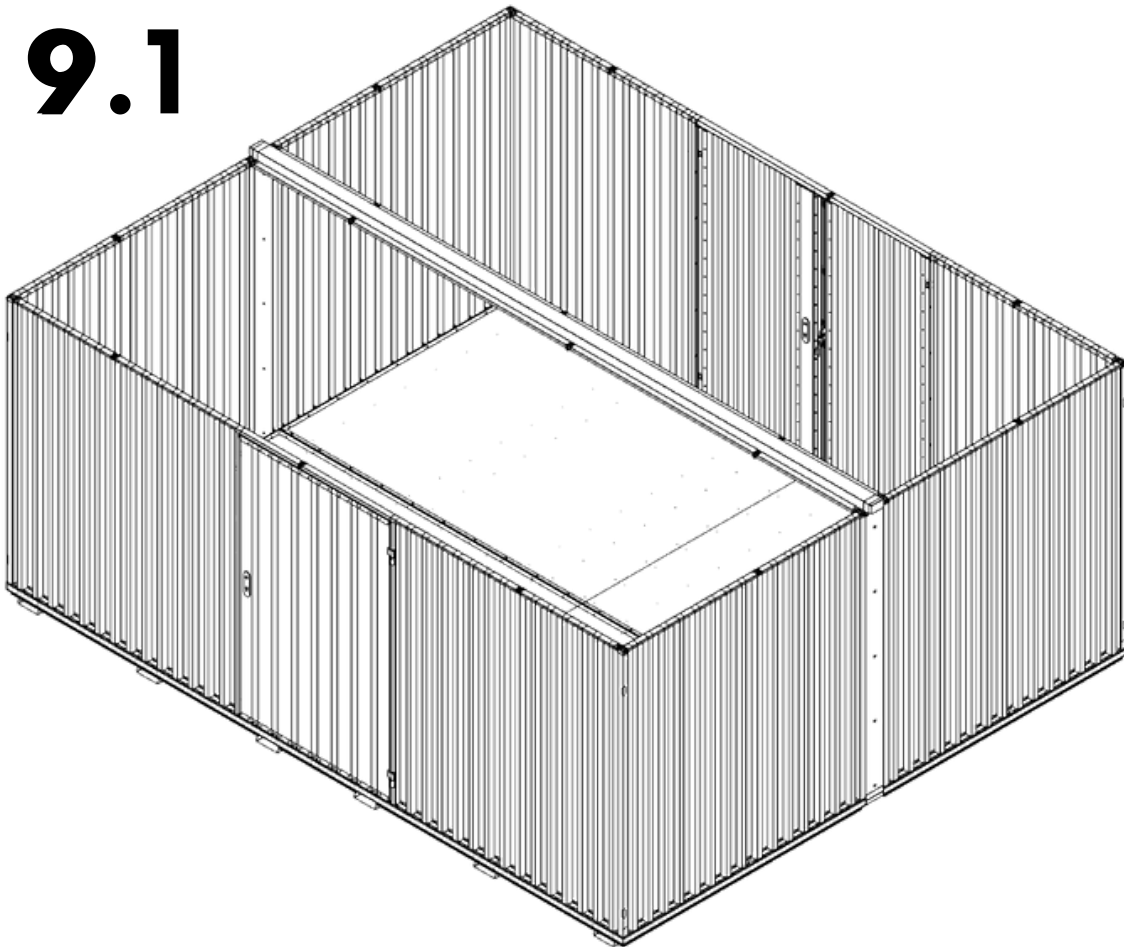
8.1











9

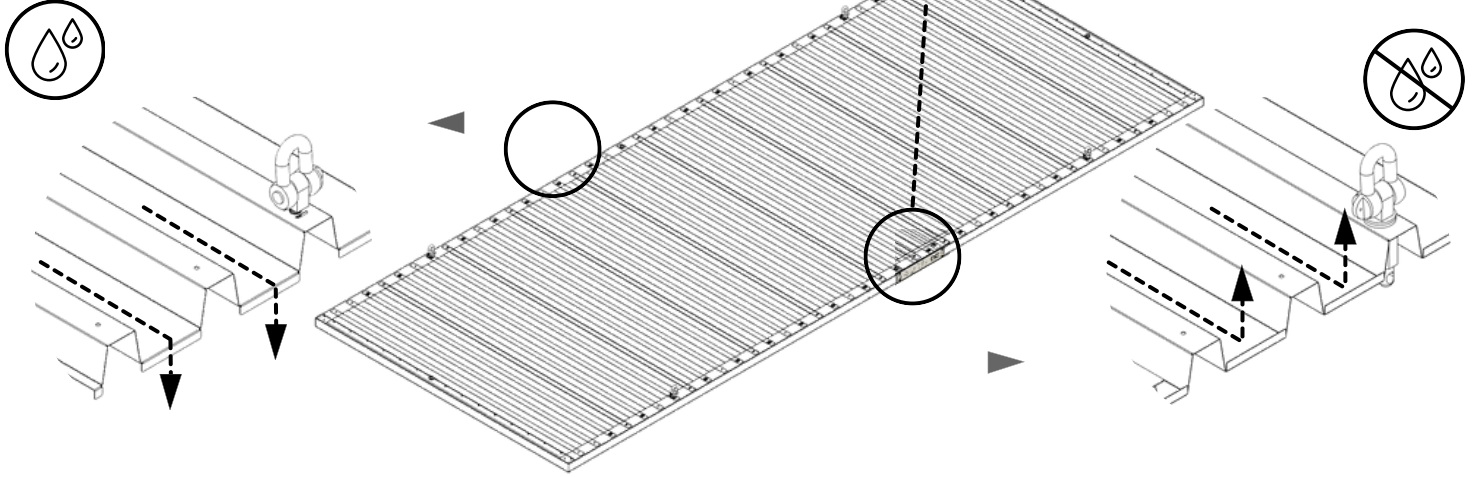


9.1

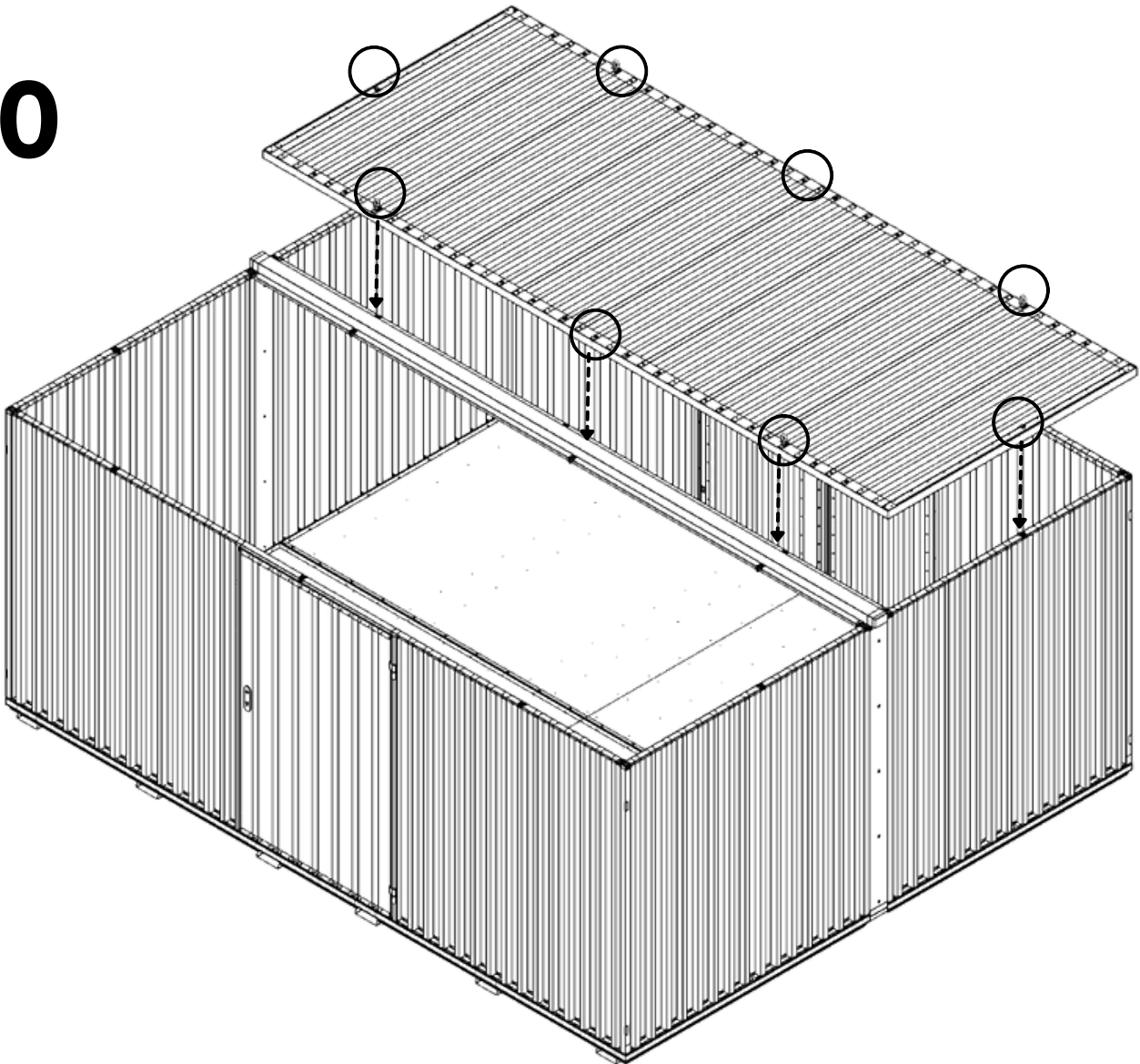




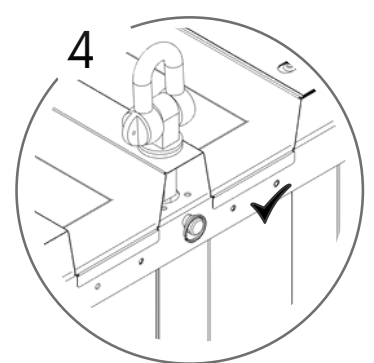
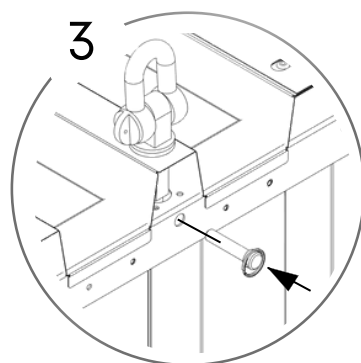
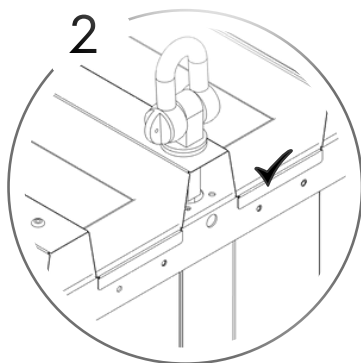
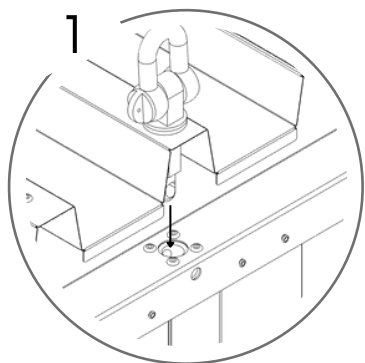
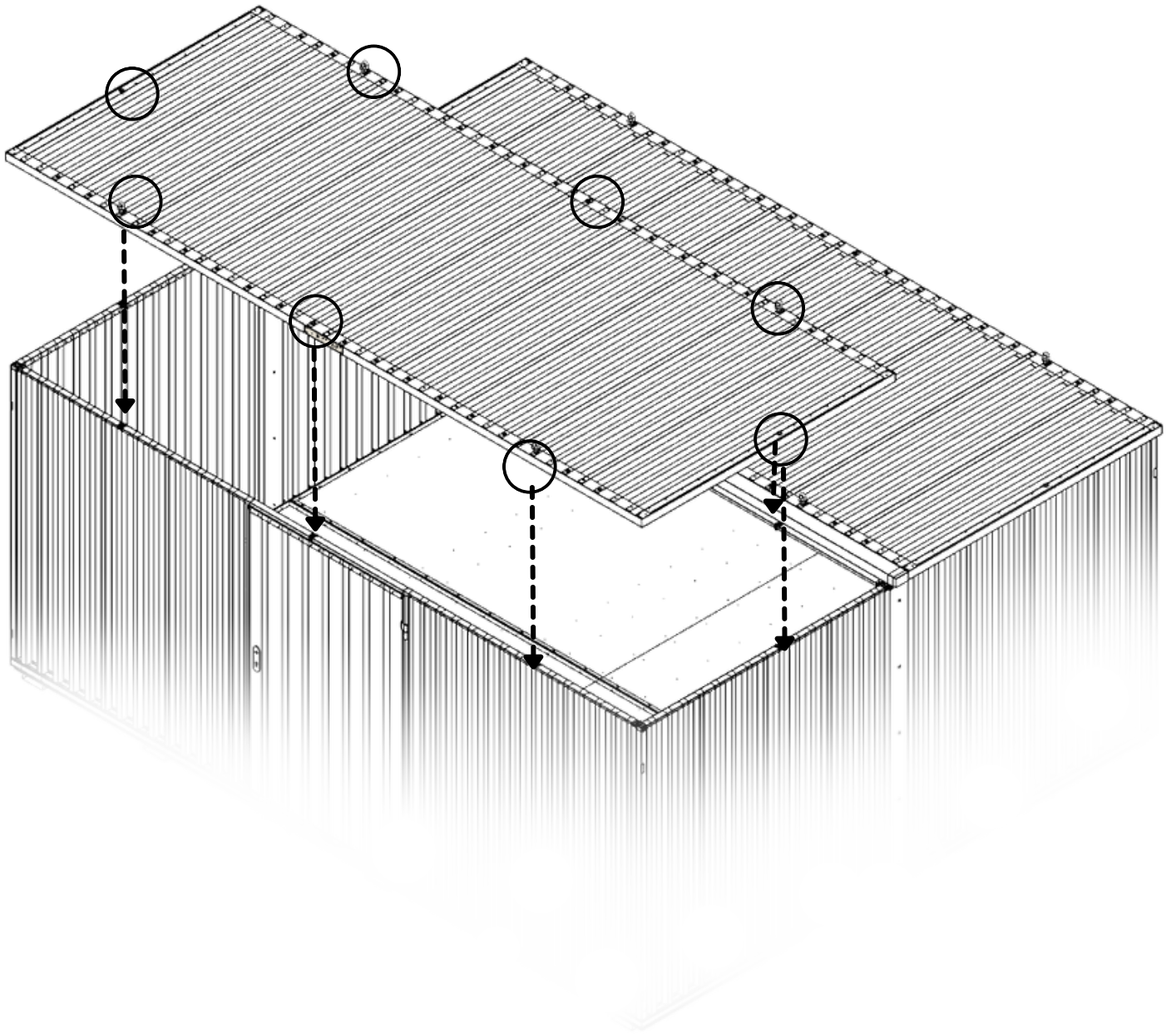
 898 KG	 1640 MM	Model Code: 505.110.420.431 Production Tracking Code:/X09.1.505.420.431	 9001	 14001	 50001			
---	--	---	---	--	--	---	---	---



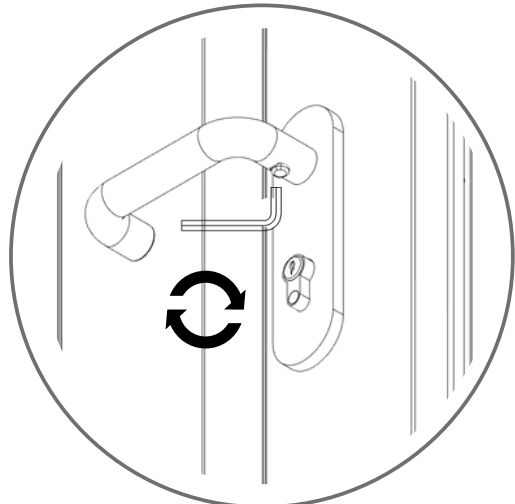
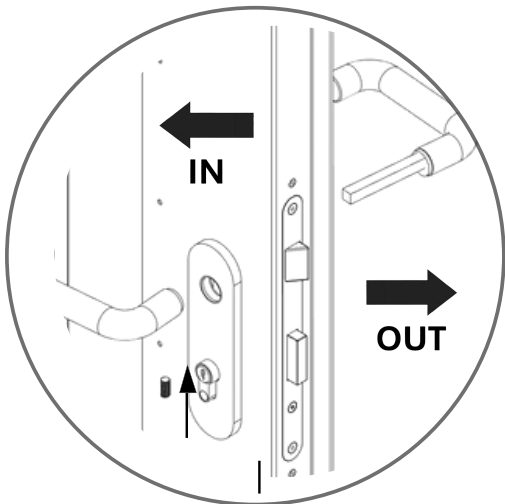
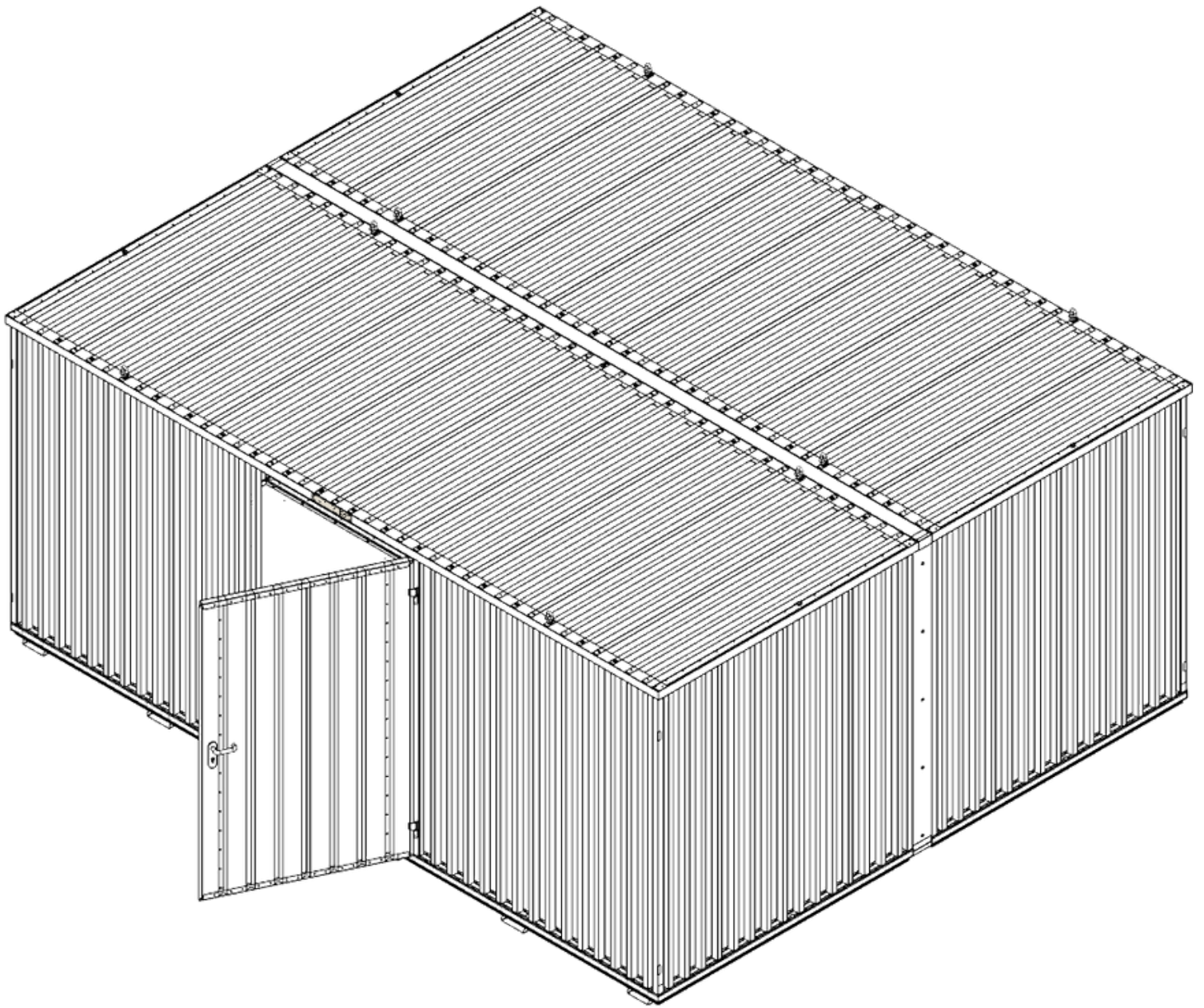
10



11



12



13

