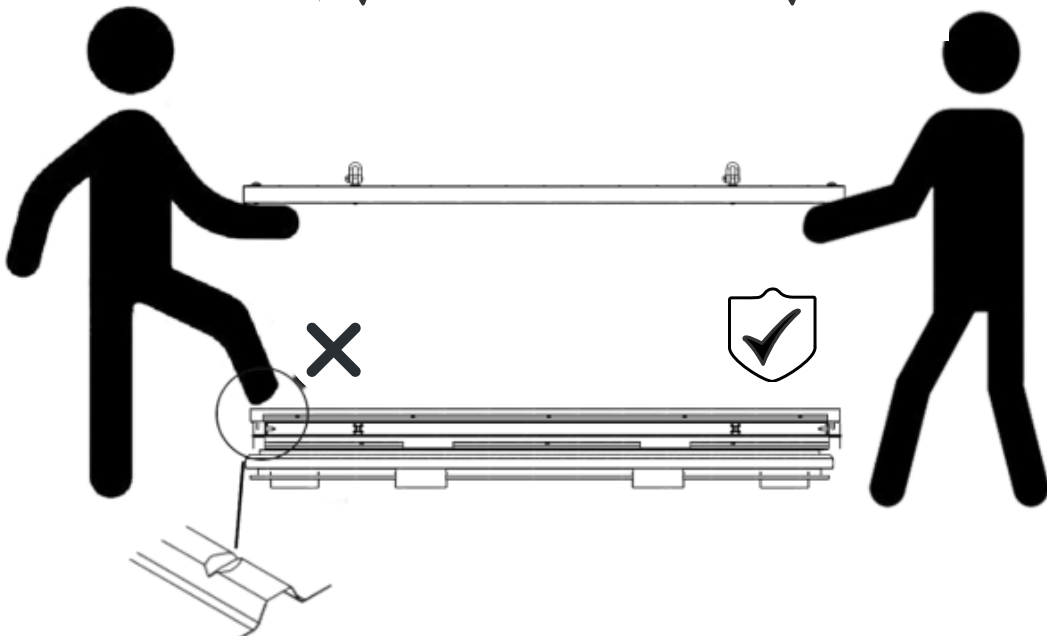
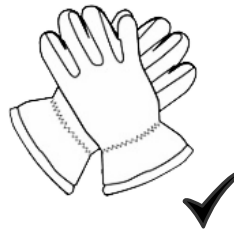


PRODUCT CODE:50.110.320.331

prefabase
Quick Build Solutions

Instructions and User Guide



50.0110
1x

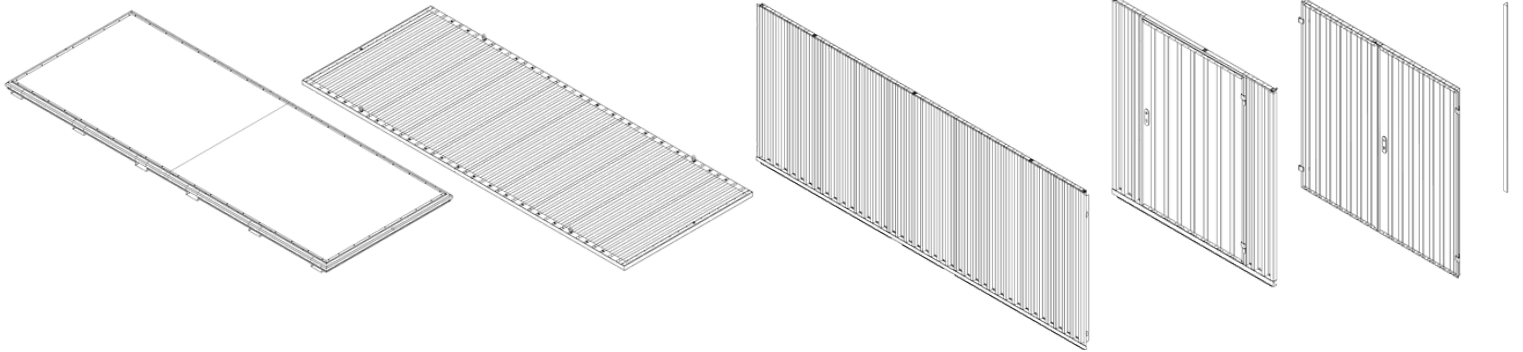
50.0510
1x

50.0410
2x

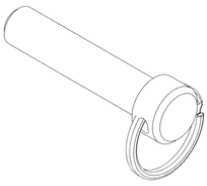
0320
1x

0330
1x

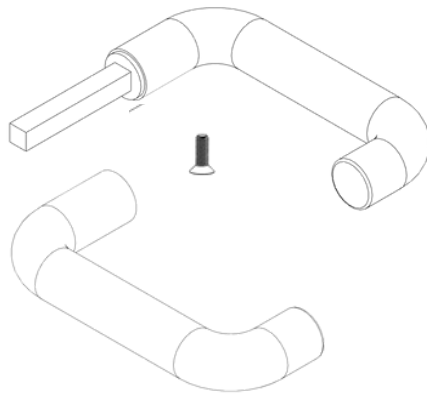
61.101
2x



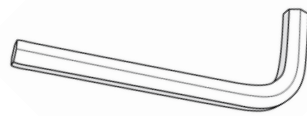
12x



2x



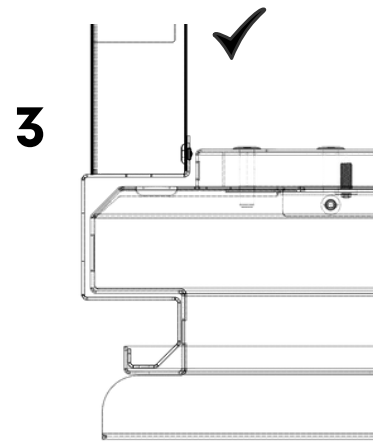
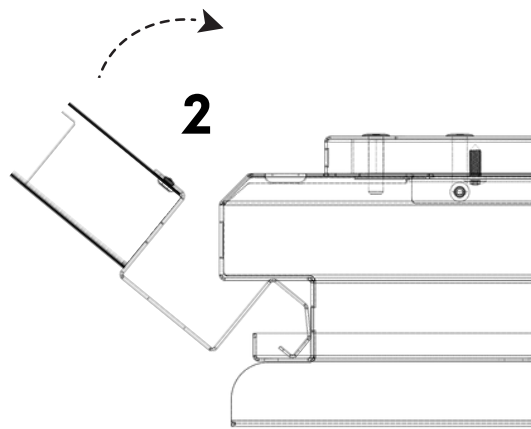
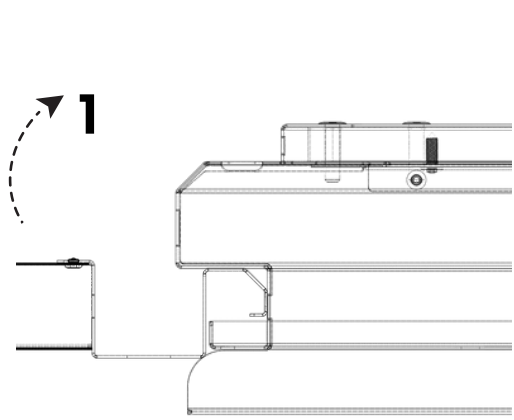
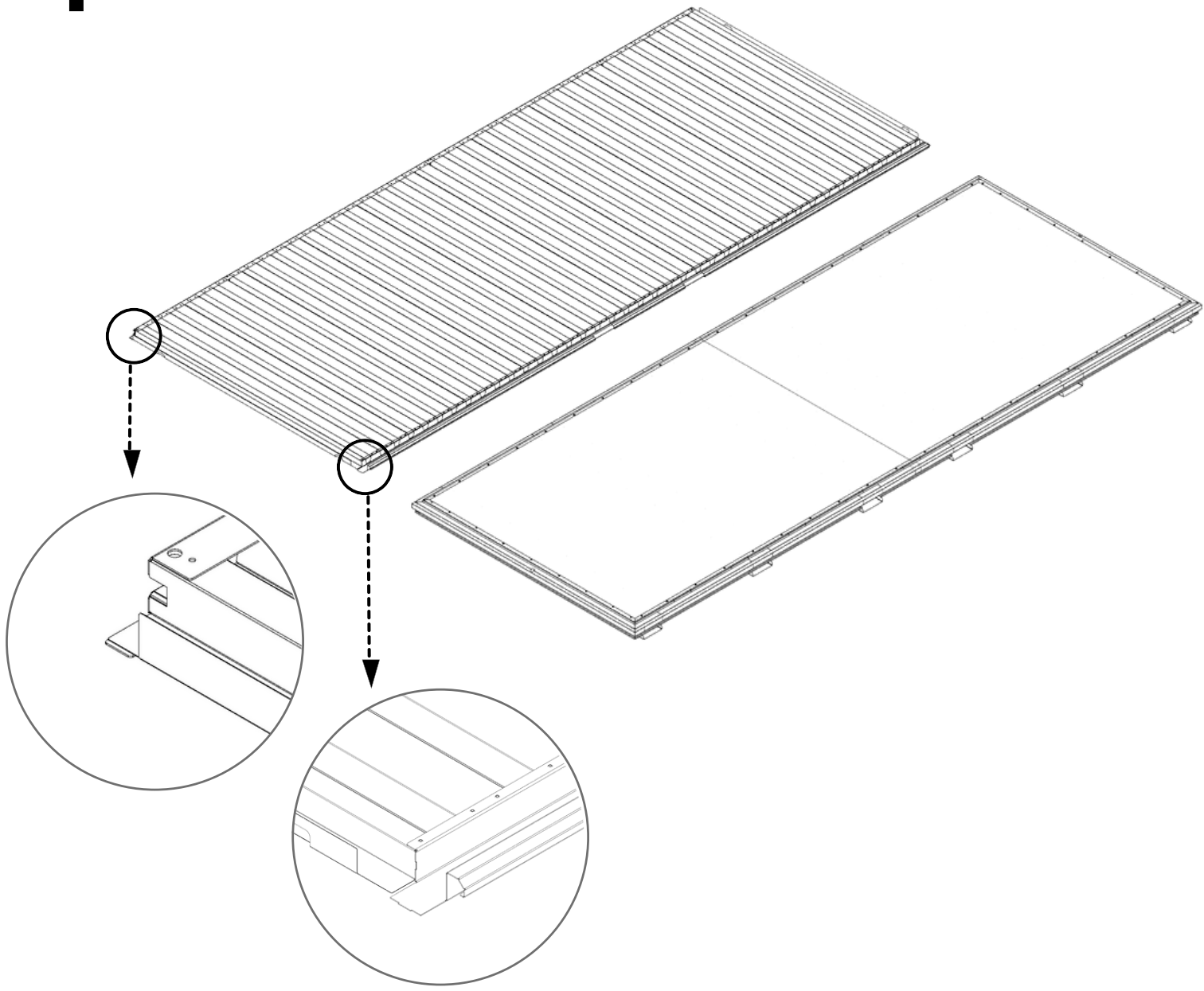
1x



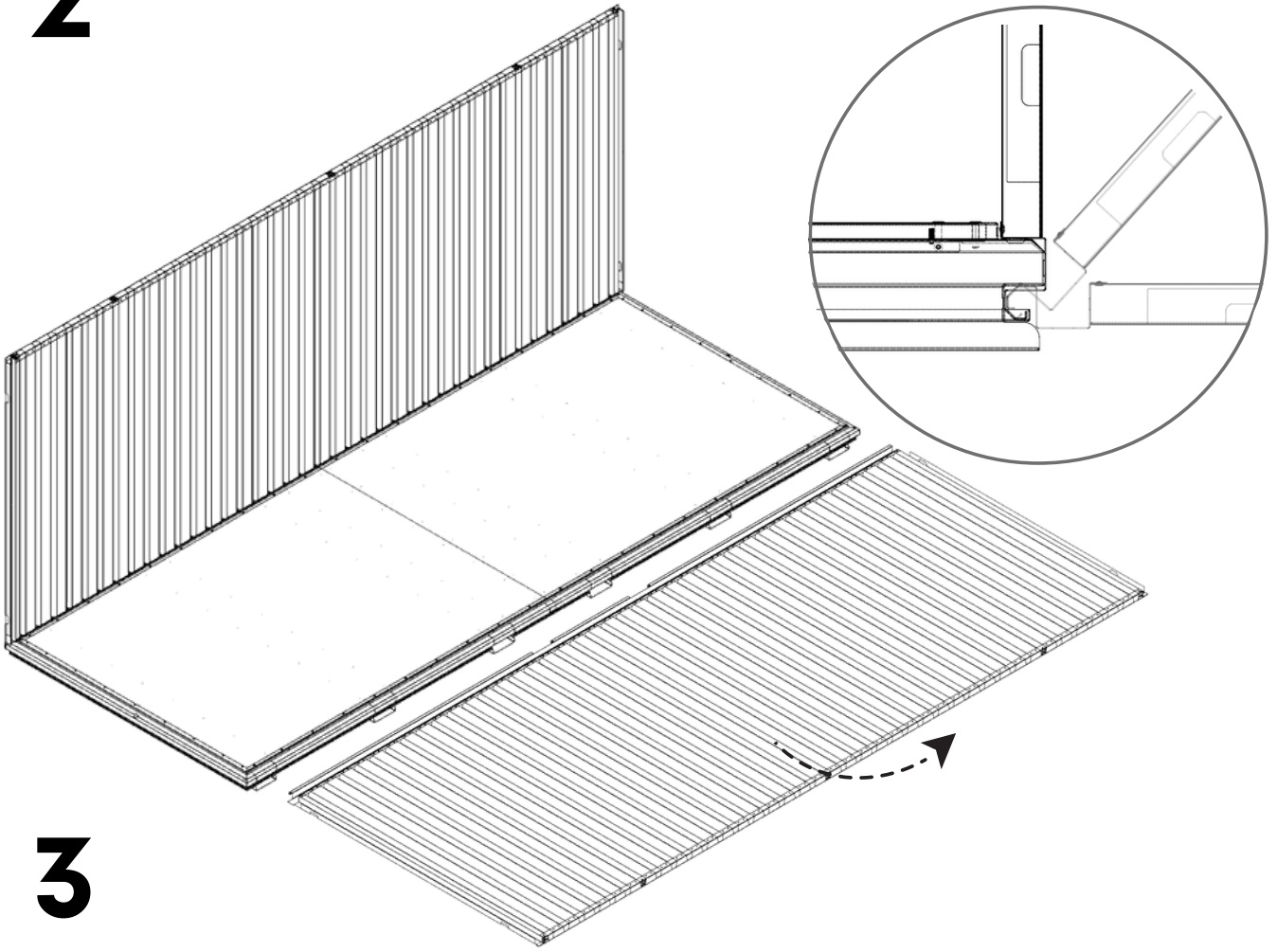
2x



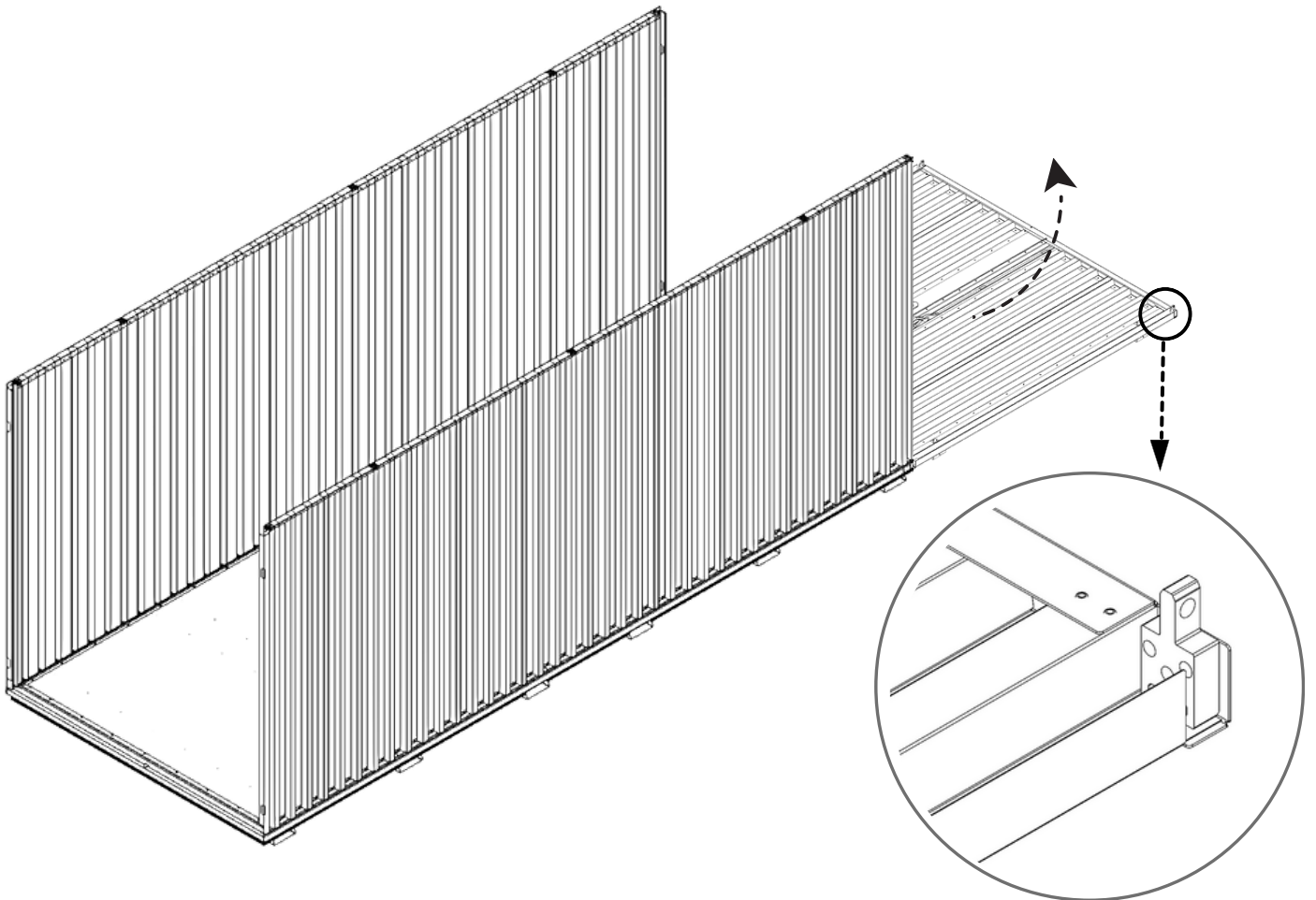
1



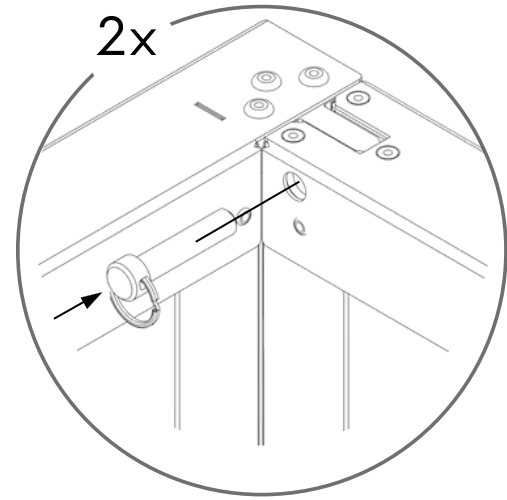
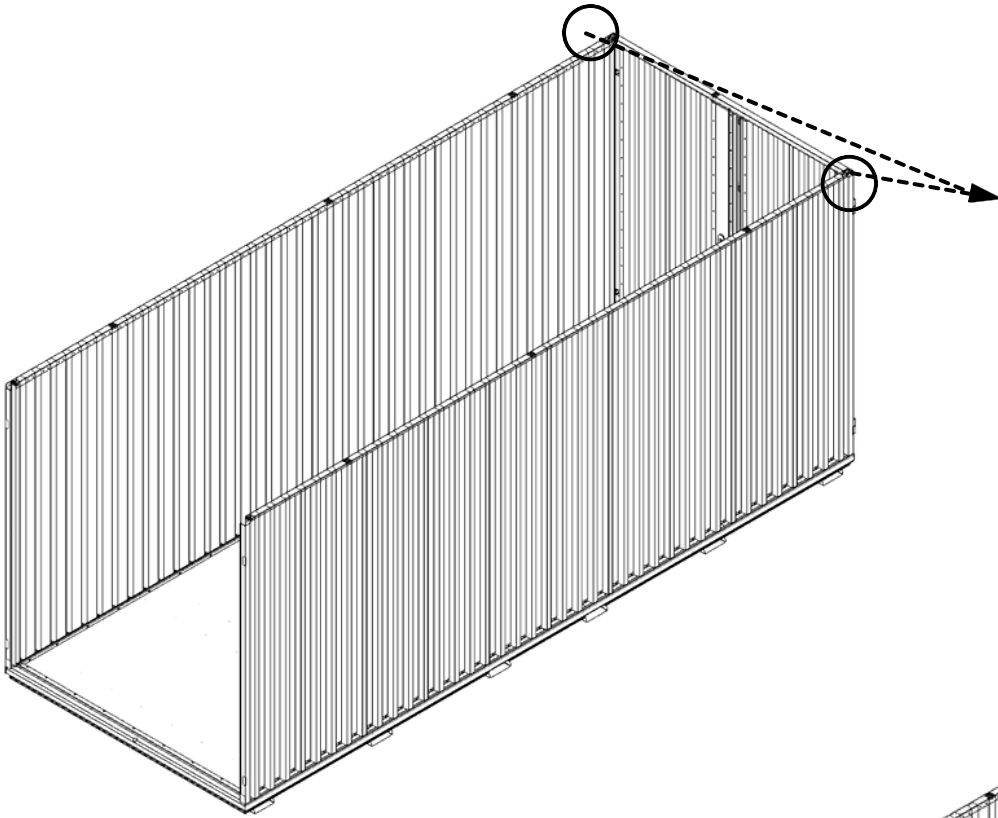
2



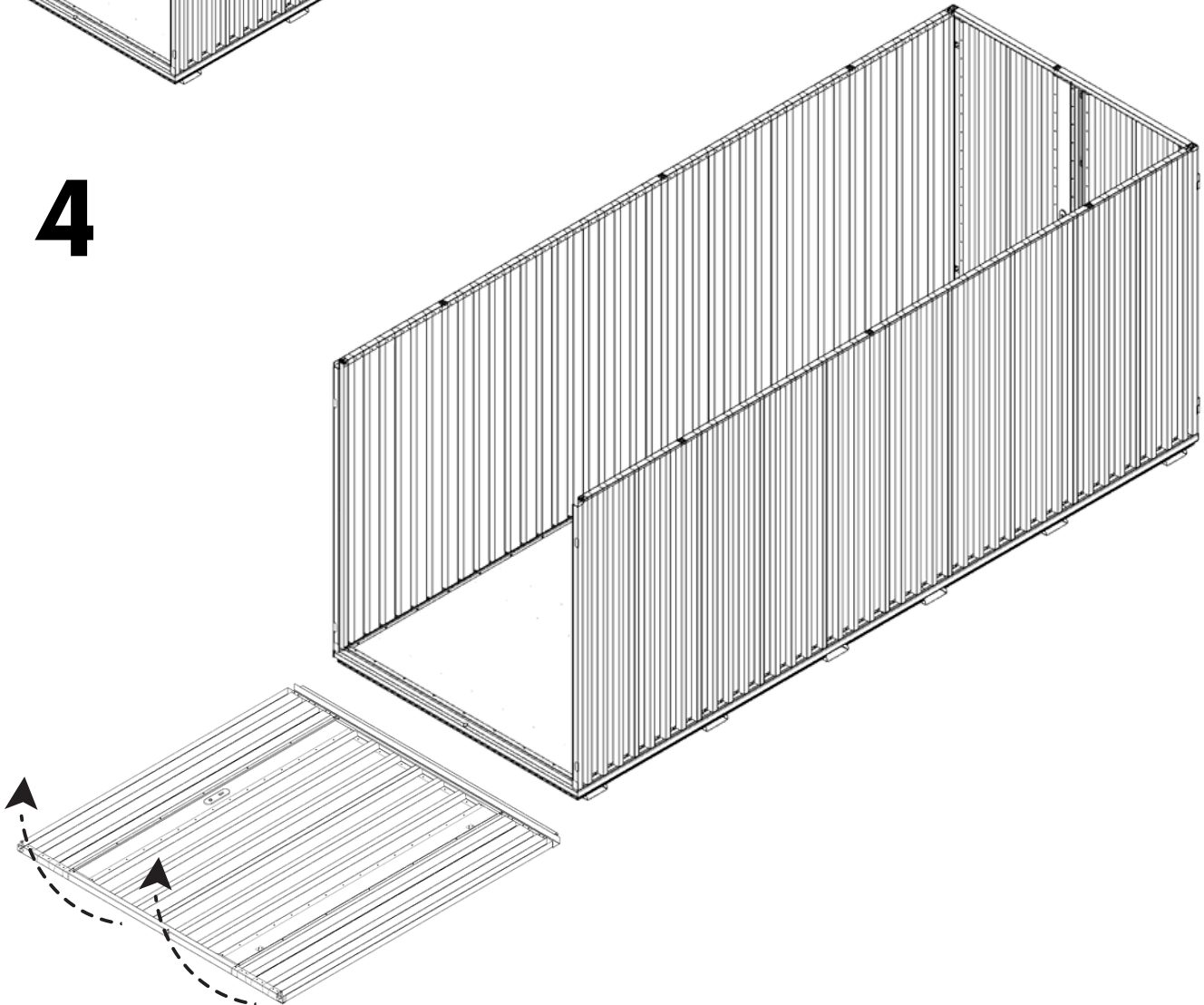
3



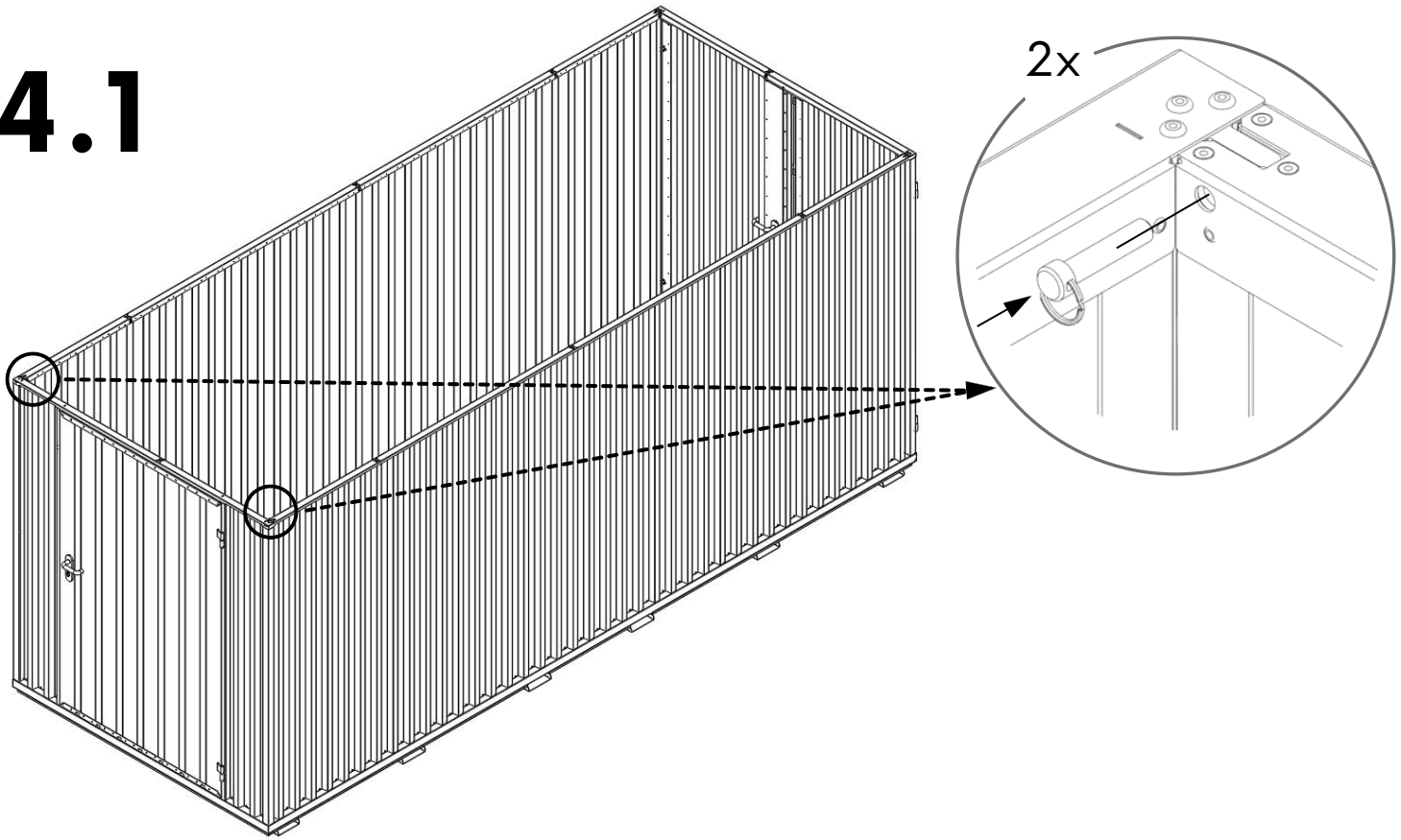
3.1











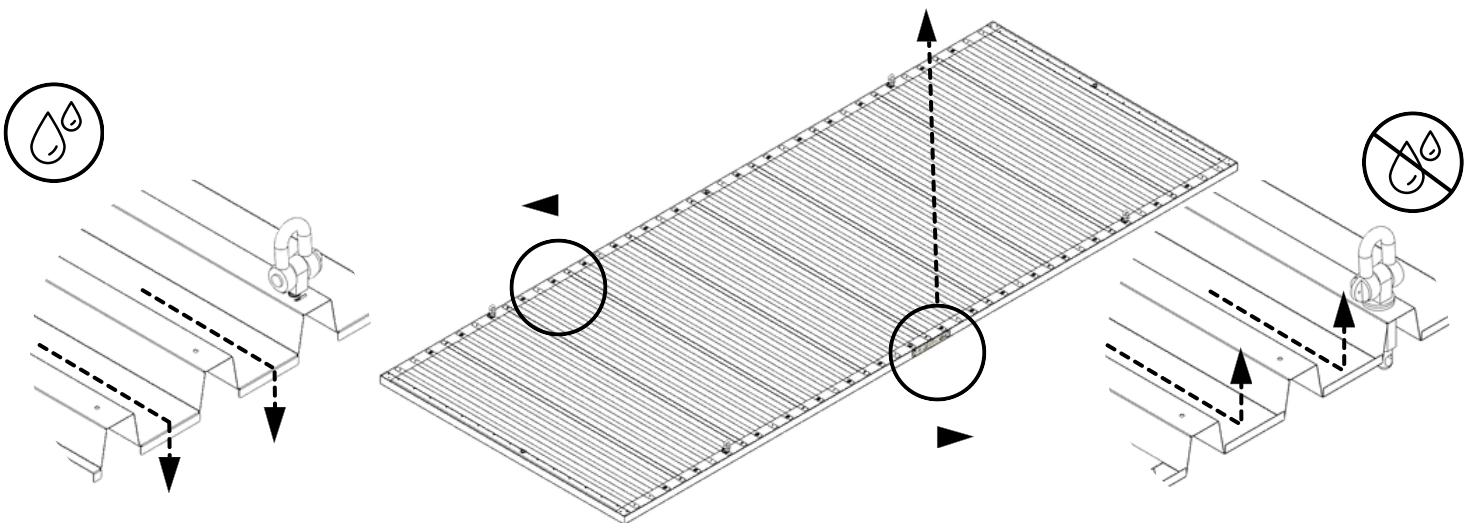
4



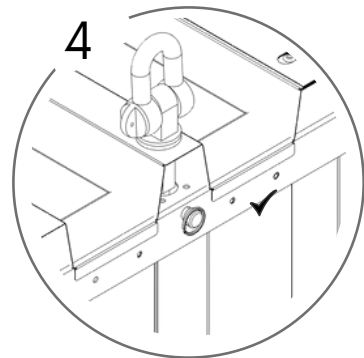
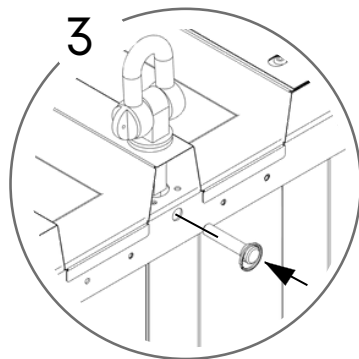
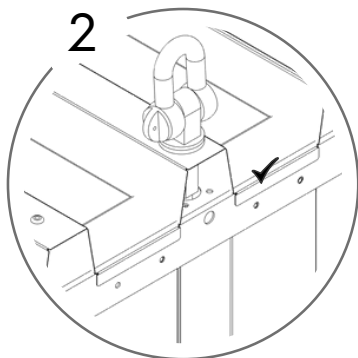
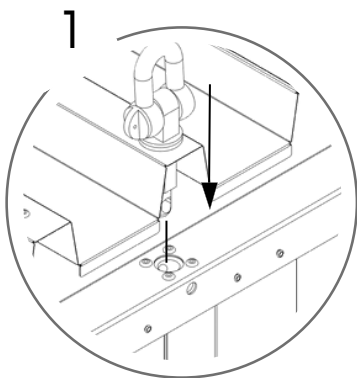
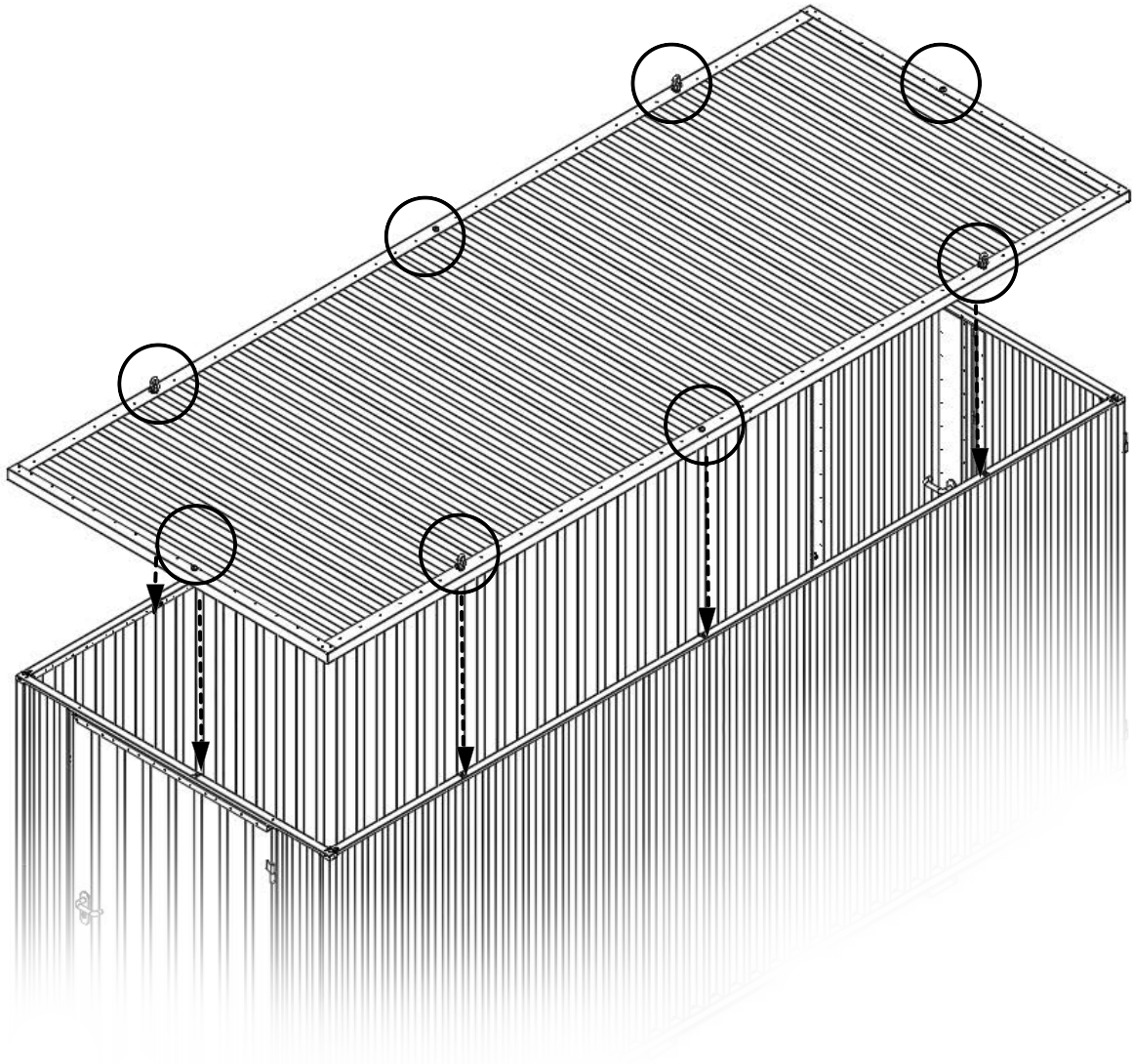
4.1



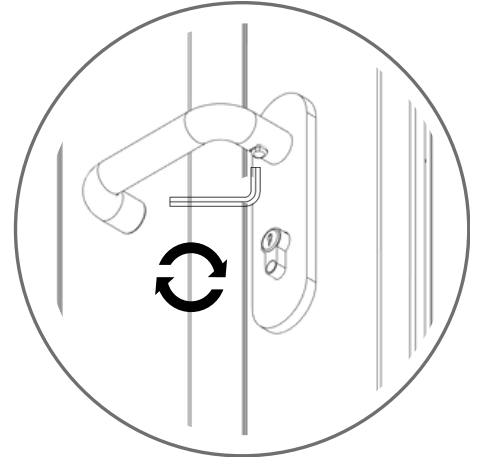
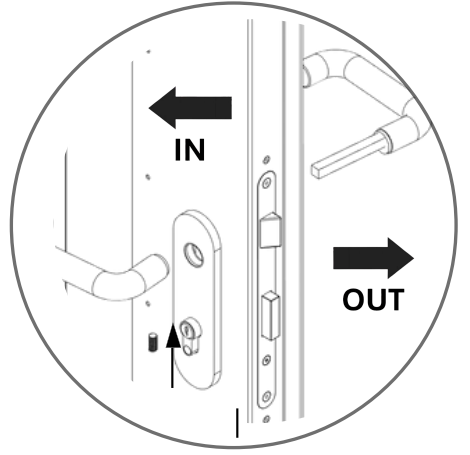
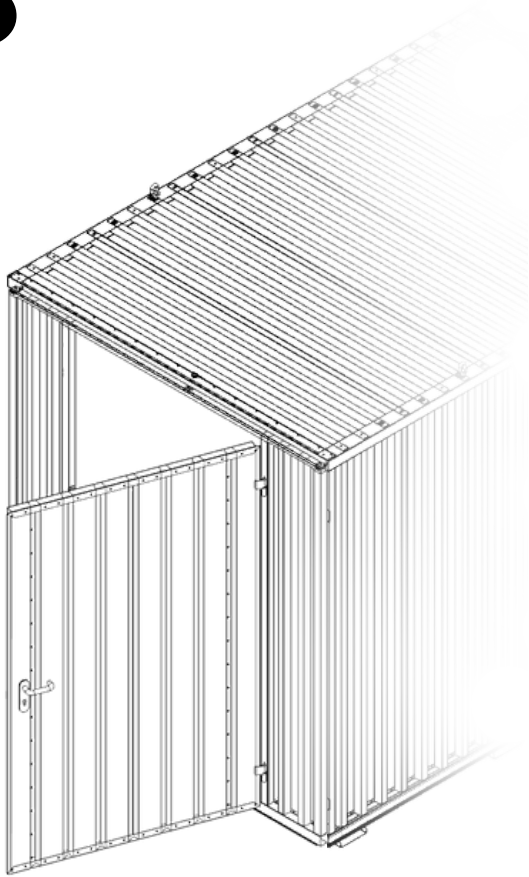
 516 KG	 1640 MM	Model Code: 50.110.320.331 Production Tracking Code:/X09.1.50.320.331	  	 	
---	--	---	---	---	---



5



6



7

