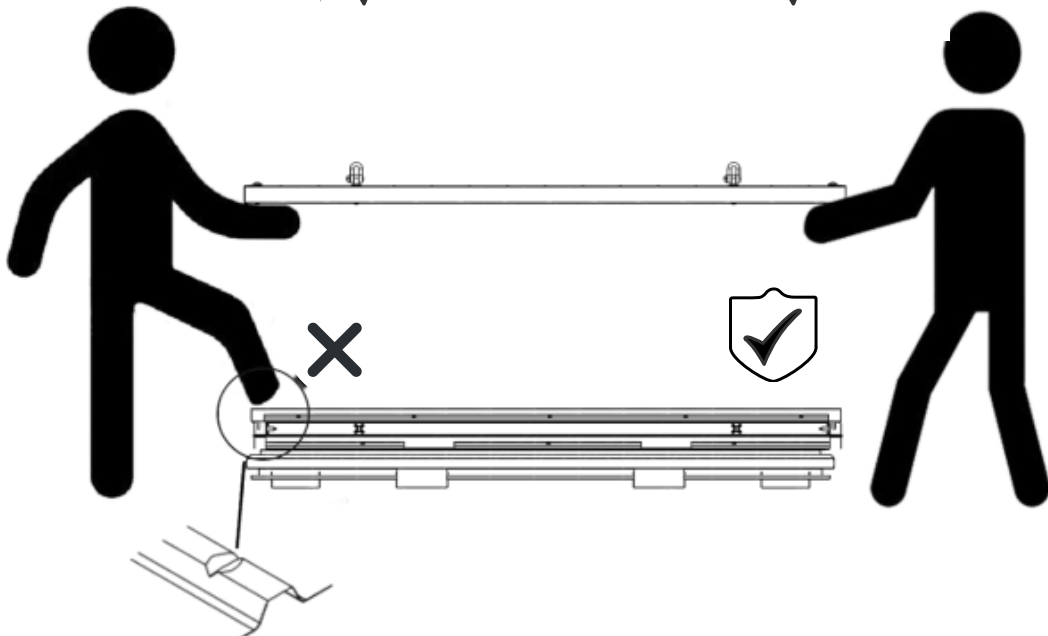
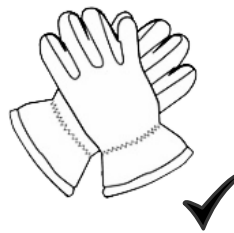


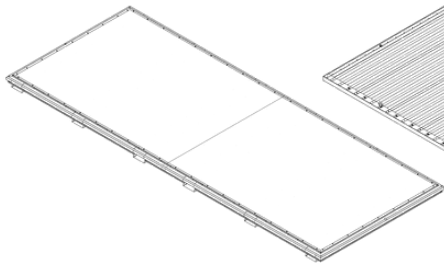
PRODUCT CODE:60.110.330

prefabase
Quick Build Solutions

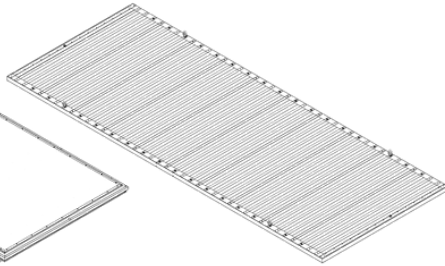
Instructions and User Guide



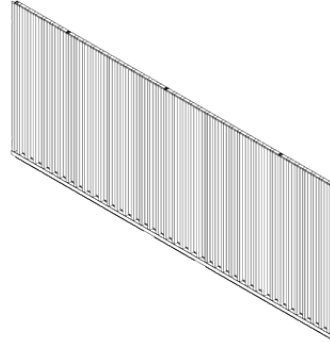
60.0110
1x



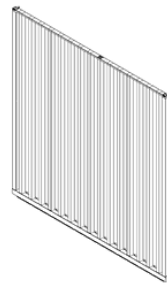
60.0510
1x



60.0410
2x



0310
1x



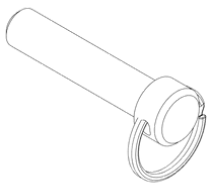
0330
1x



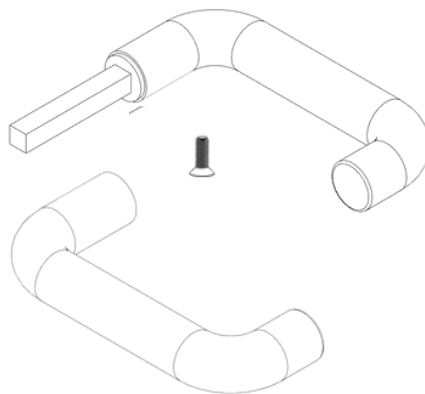
61.101
2x



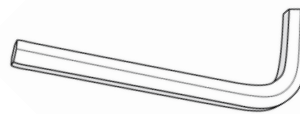
14x



1x



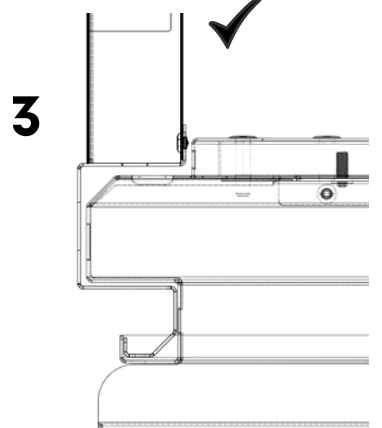
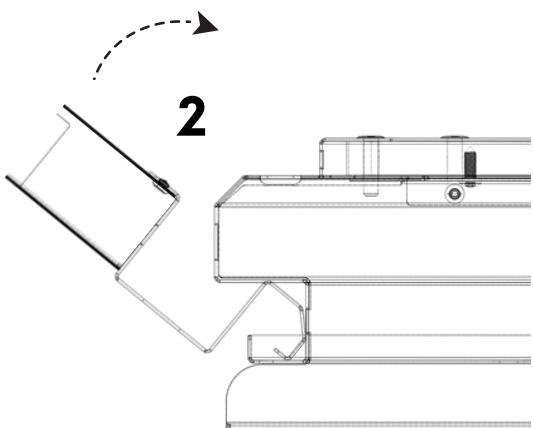
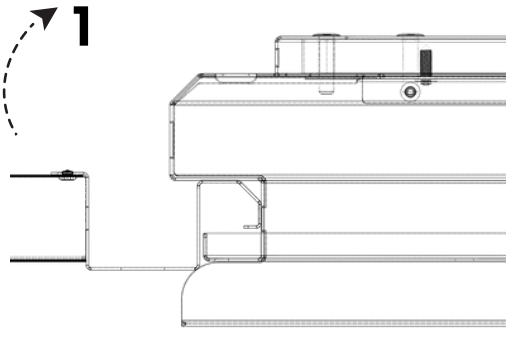
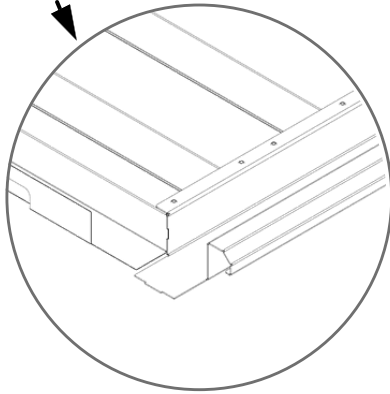
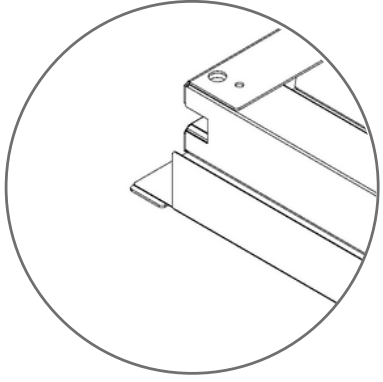
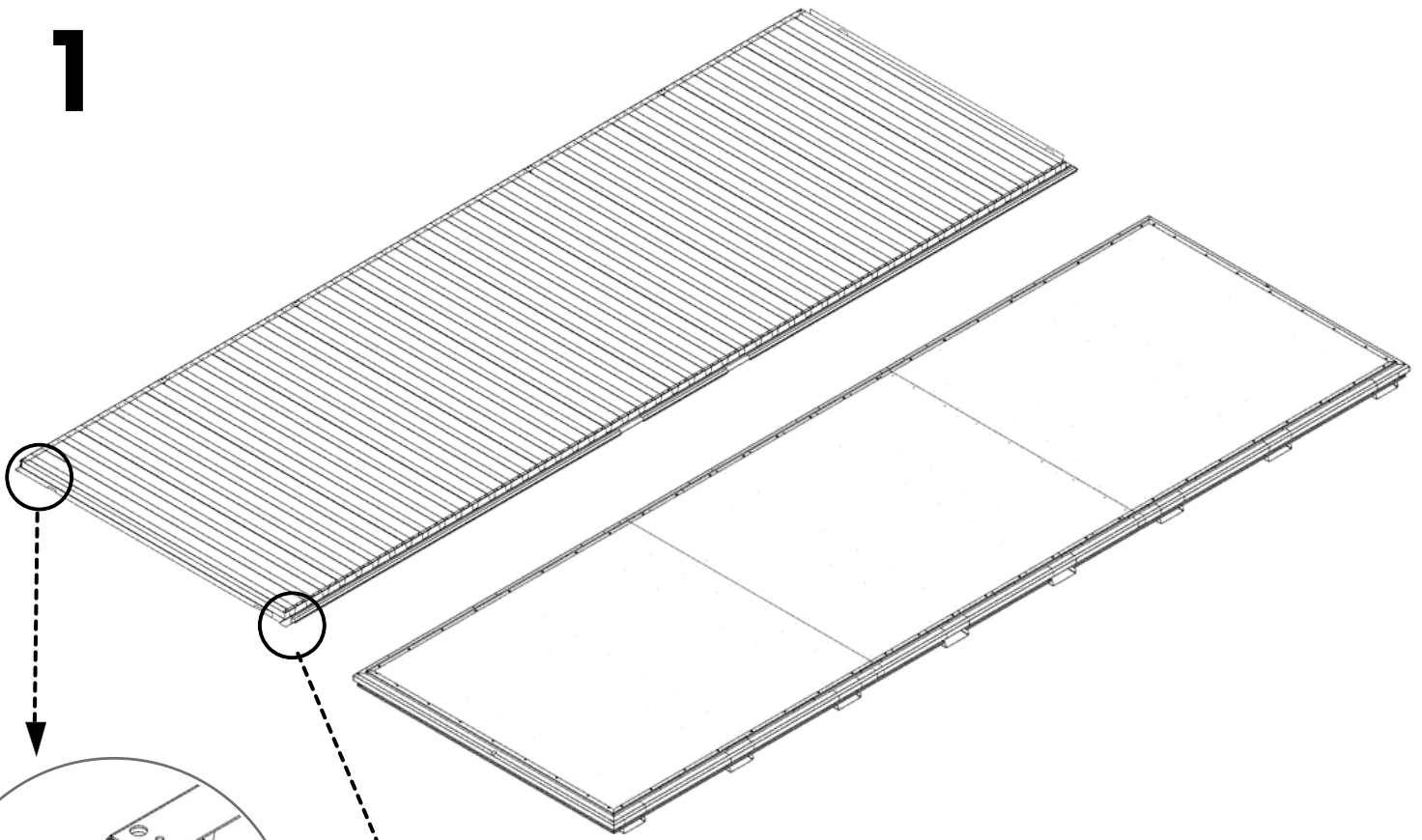
1x



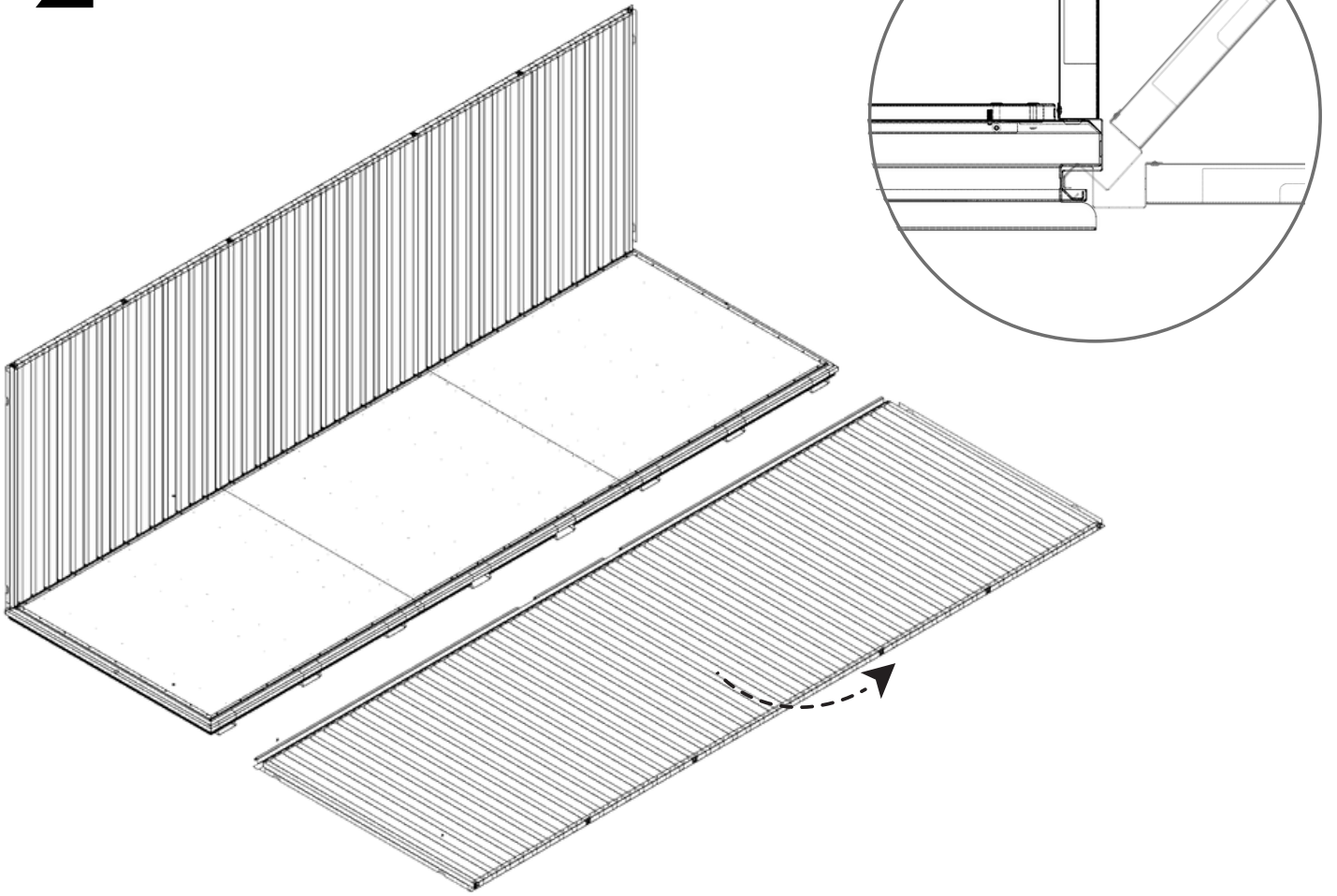
1x



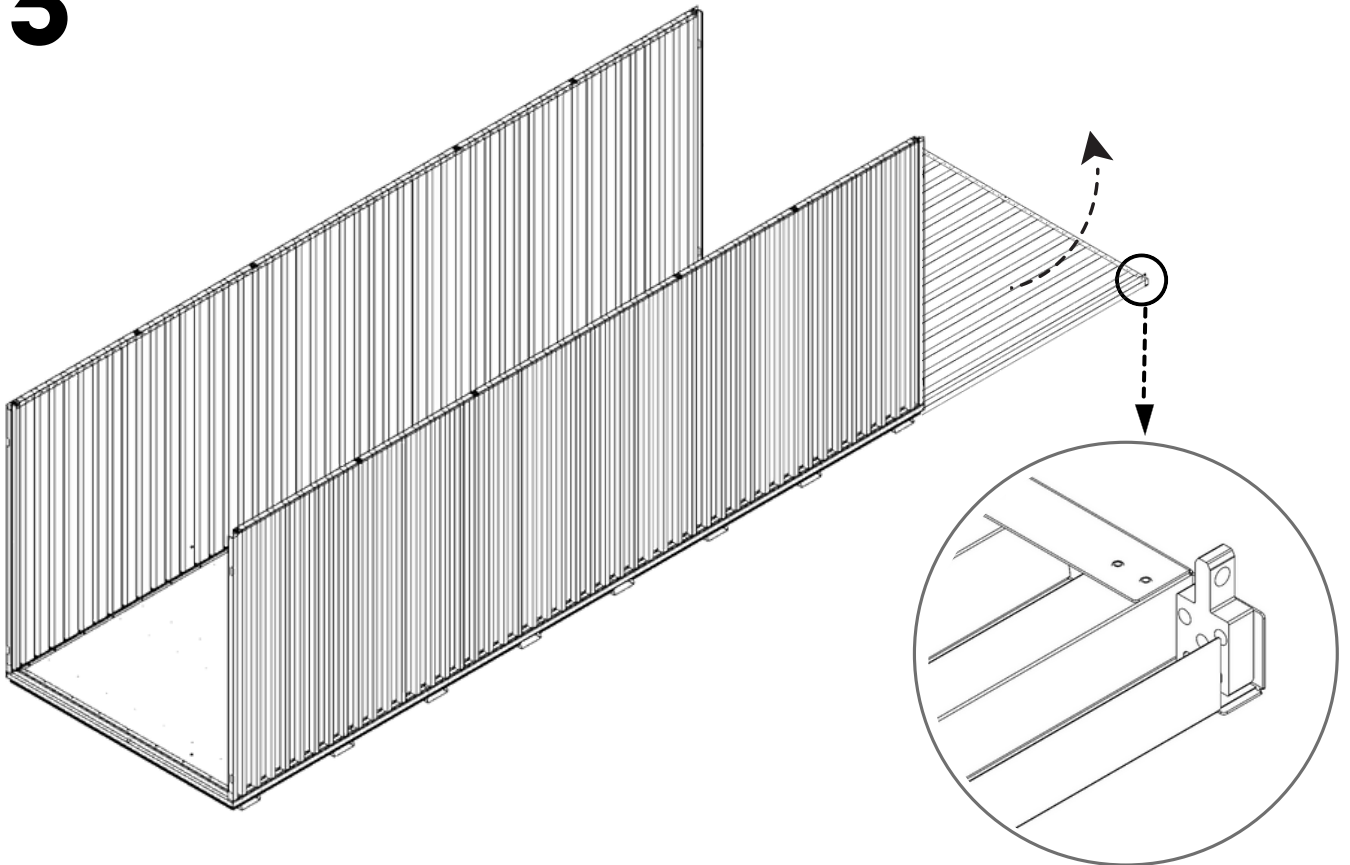
1



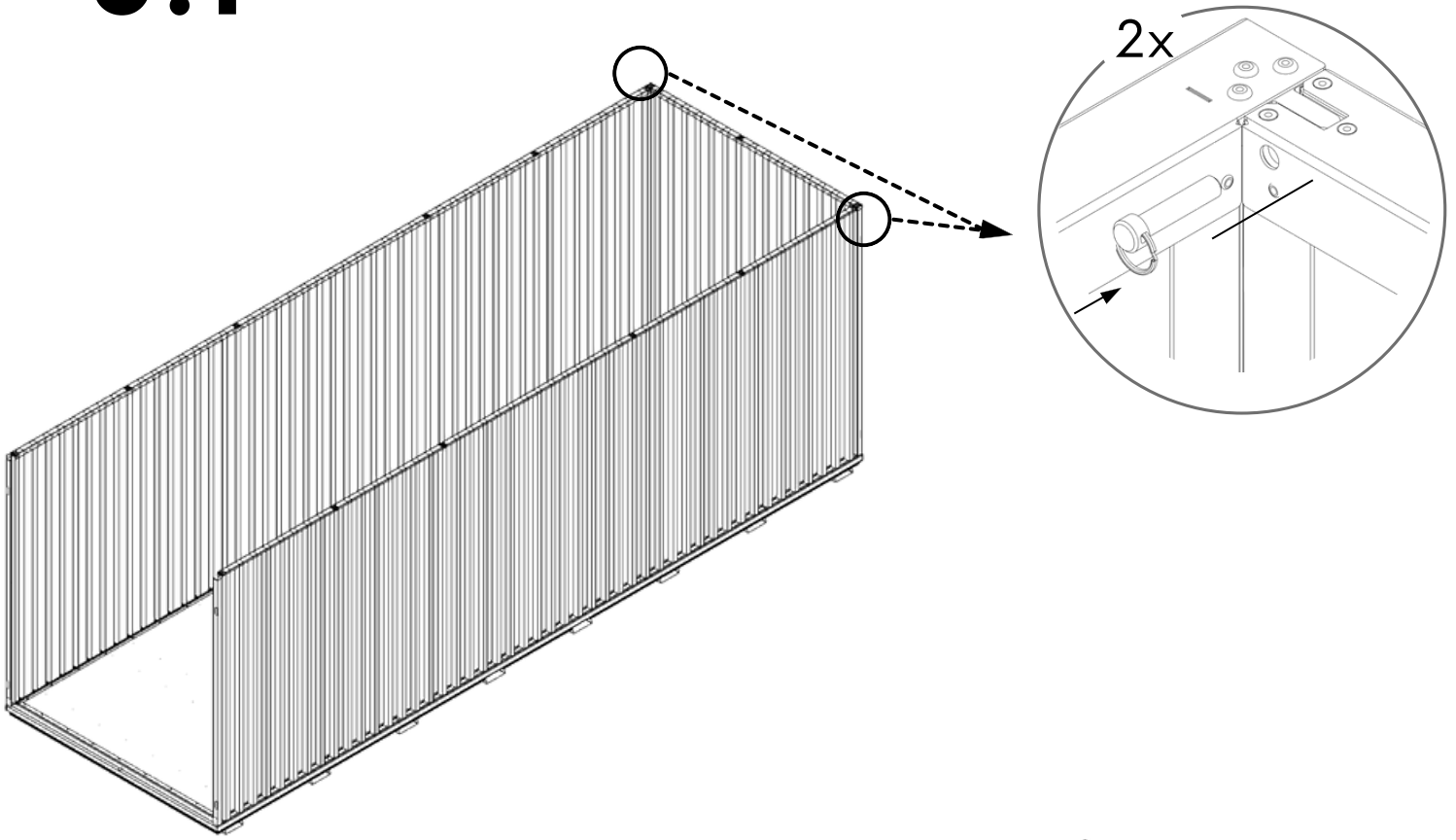
2



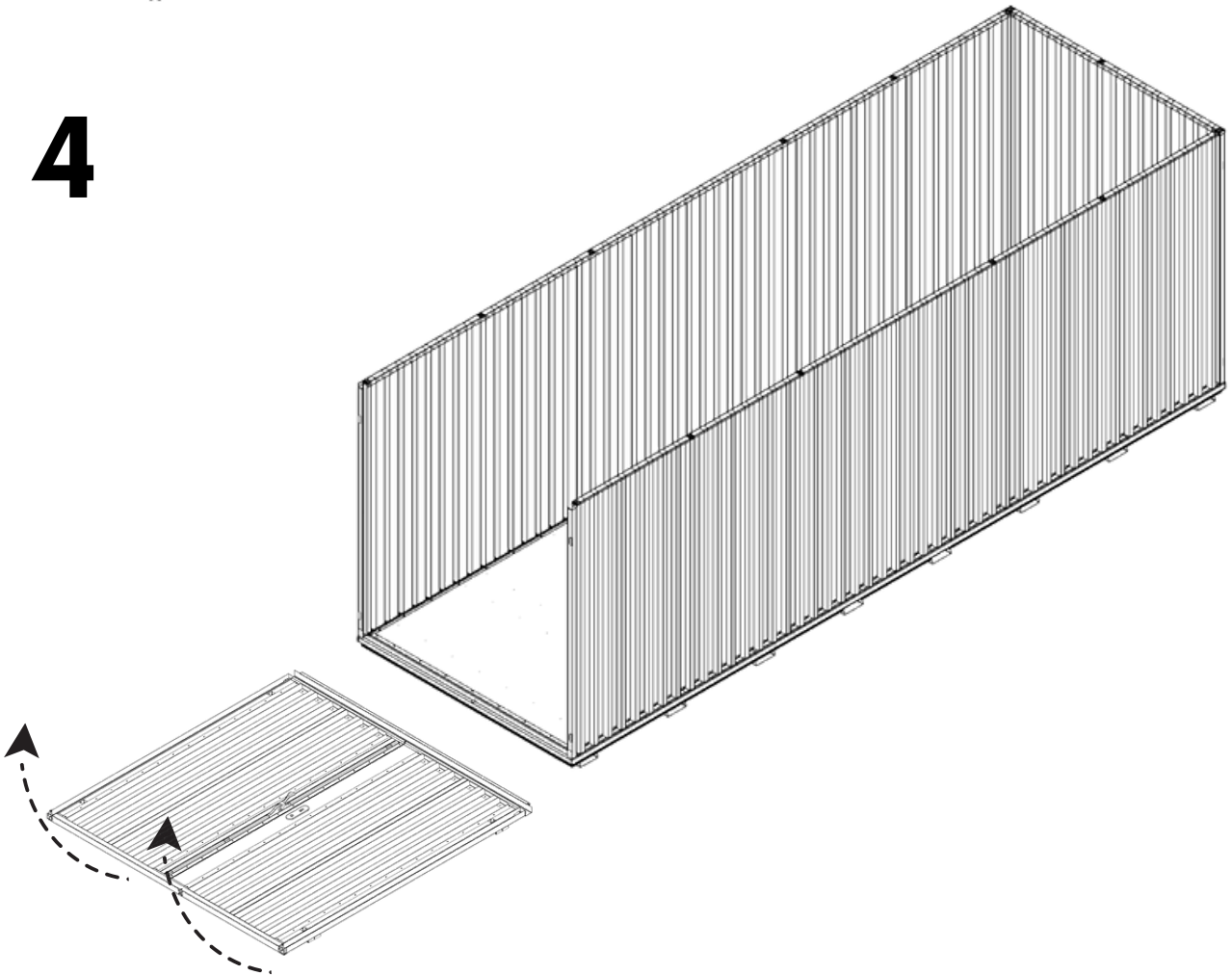
3



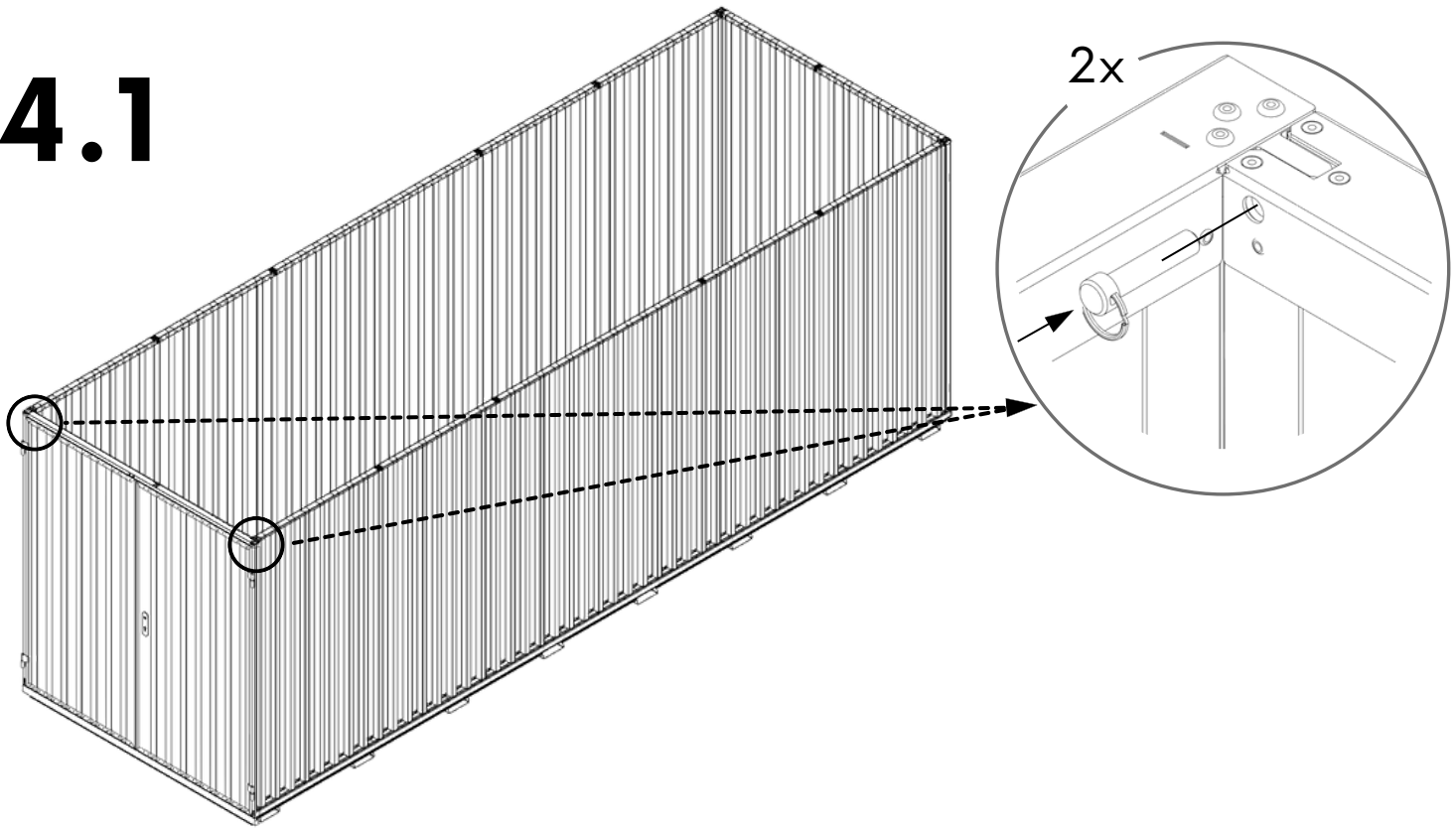
3.1



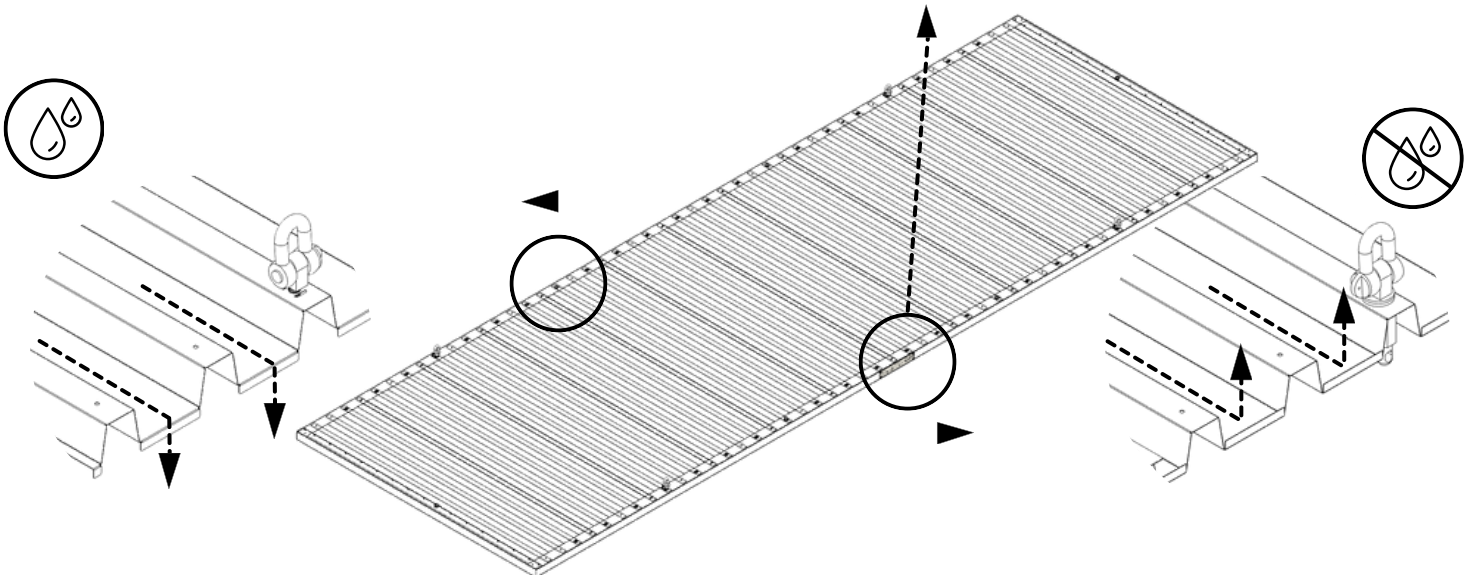
4



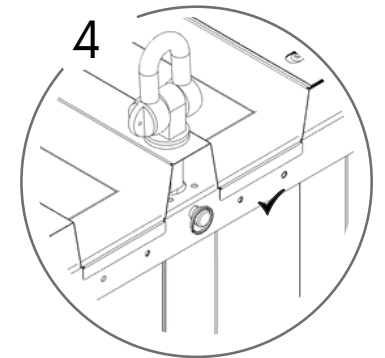
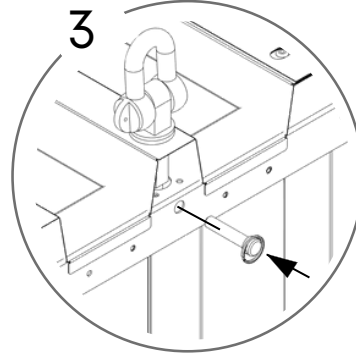
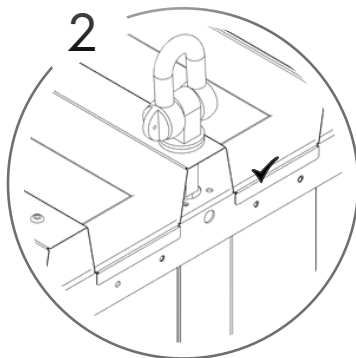
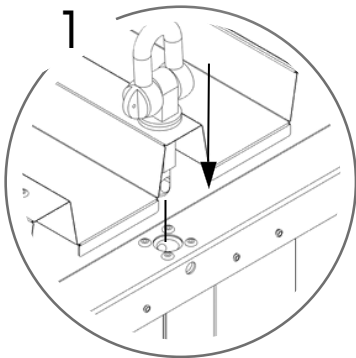
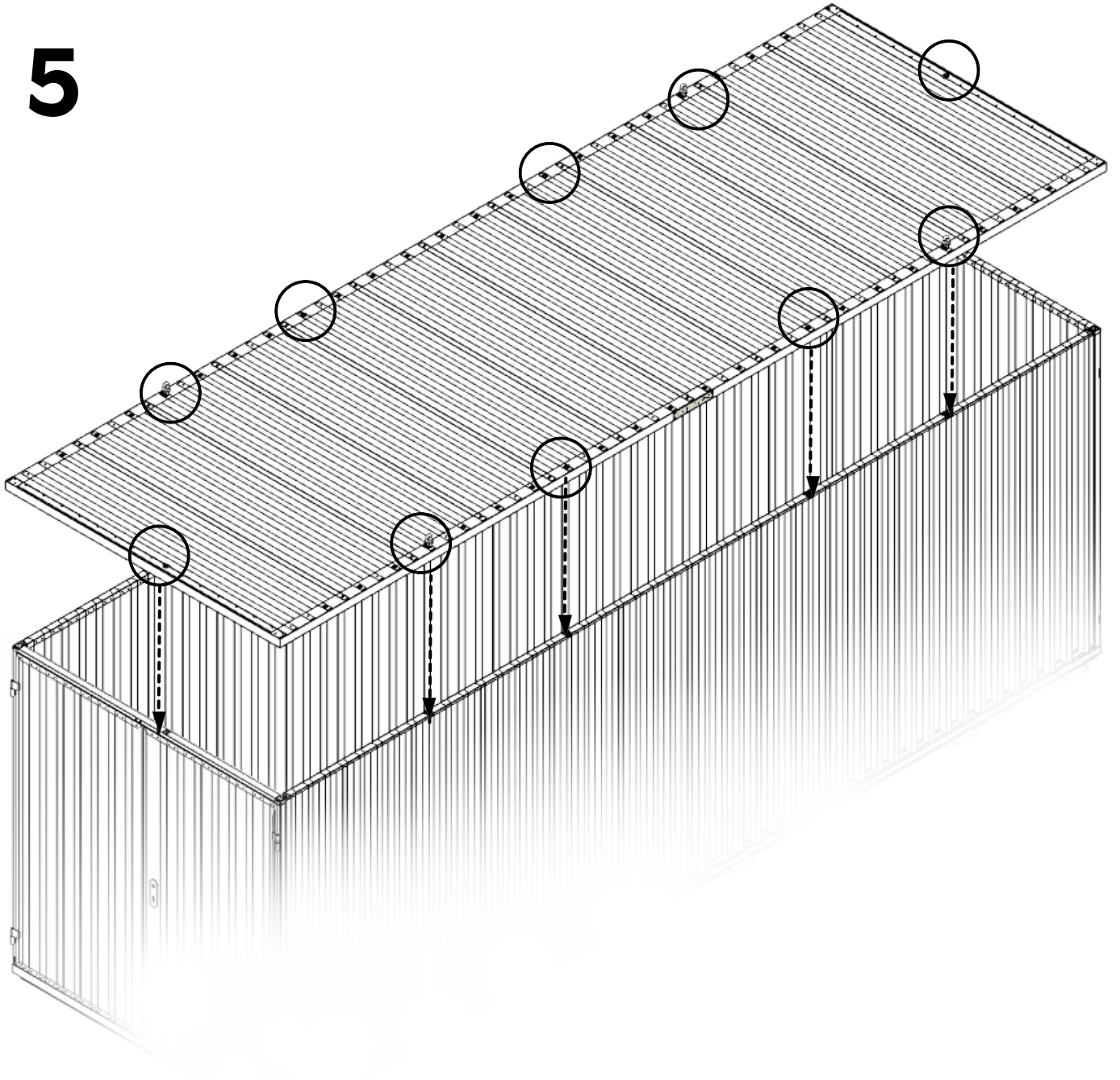
4.1



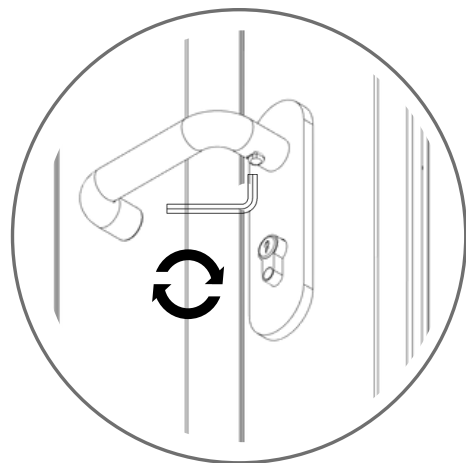
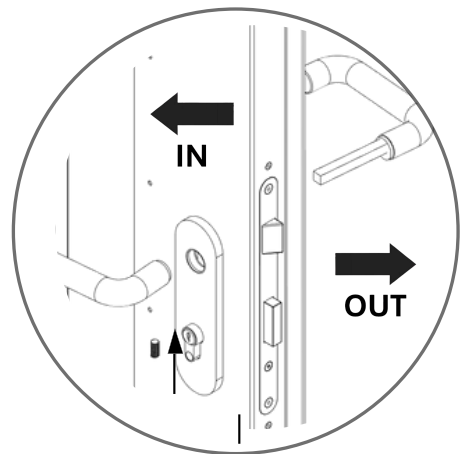
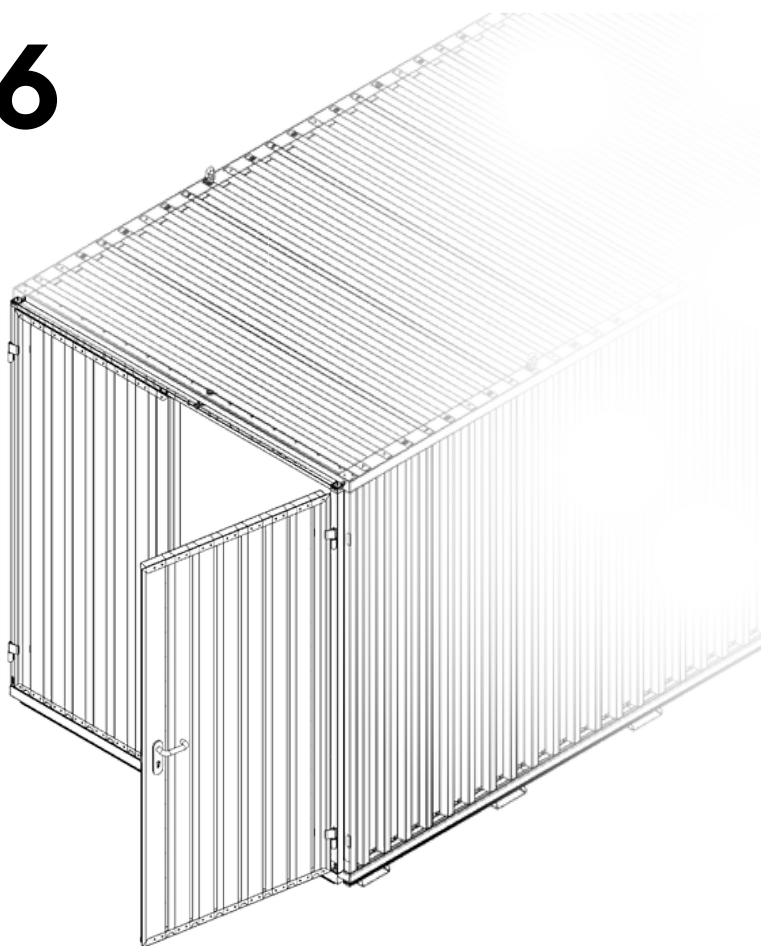
| | | | | |
|------------|-------------|--|--|--|
| 585 KG | 1640 MM | Model Code: 60.110.330 Production Tracking Code: /X09.1.60.330 9001 14001 50001 | | |
|------------|-------------|--|--|--|



5



6



7

