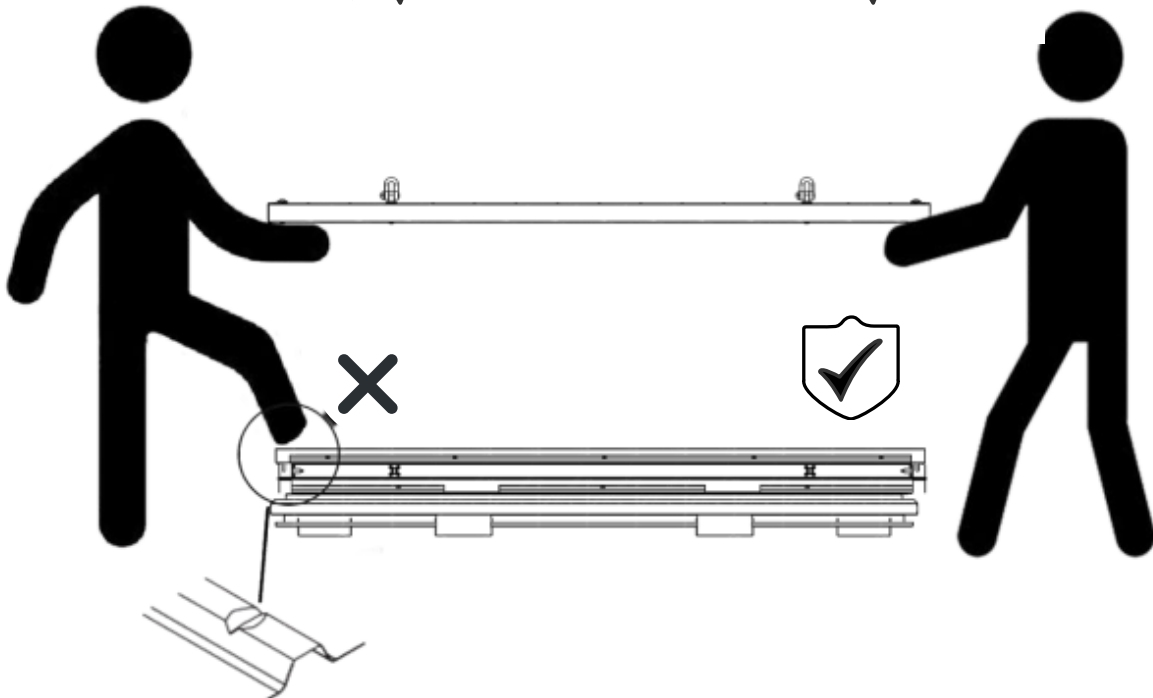
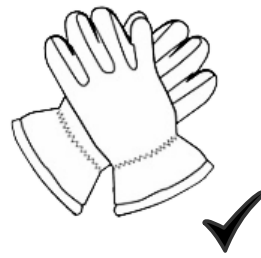


PRODUCT CODE:3033.110.440

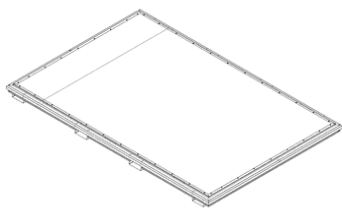
**prefabase**  
Quick Build Solutions

Instructions and User Guide



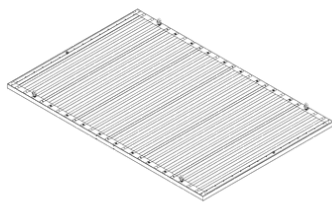
30.0110

3x



30.0510

3x



303.0110

2x



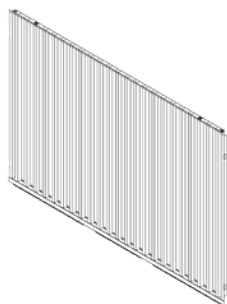
303.0510

2x



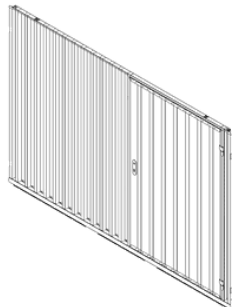
30.0410

1x



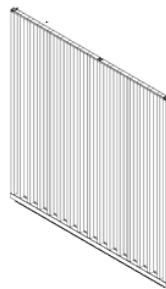
30.0440

1x



0310

6x



305.20.08

4x



305.20.09

4x

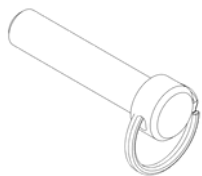


61.101

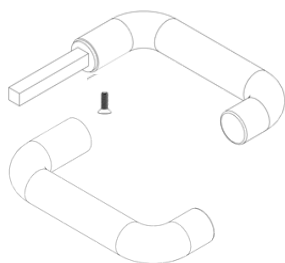
4x



30x



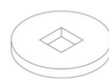
1x



20x



20x



20x



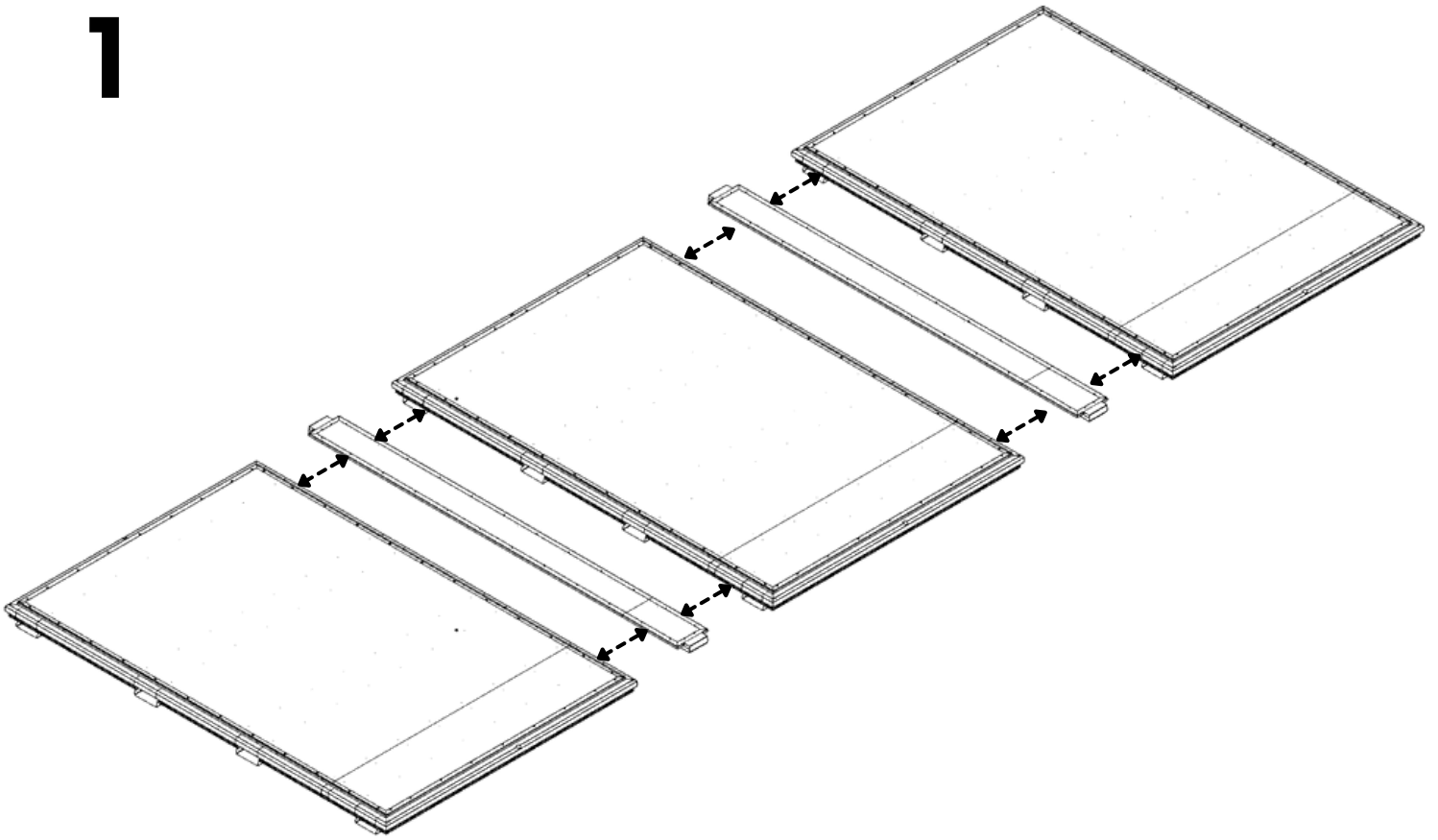
1x



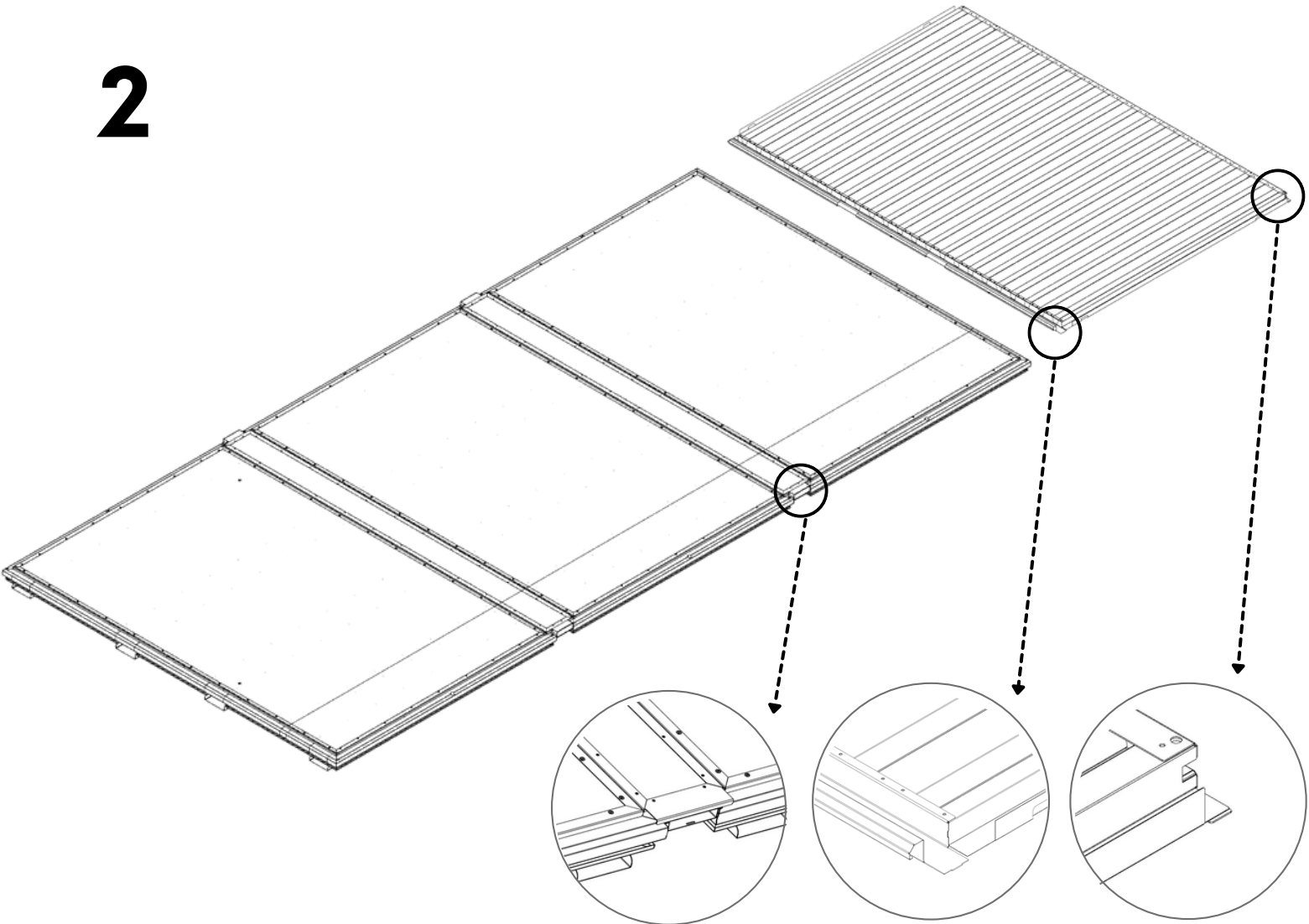
1x

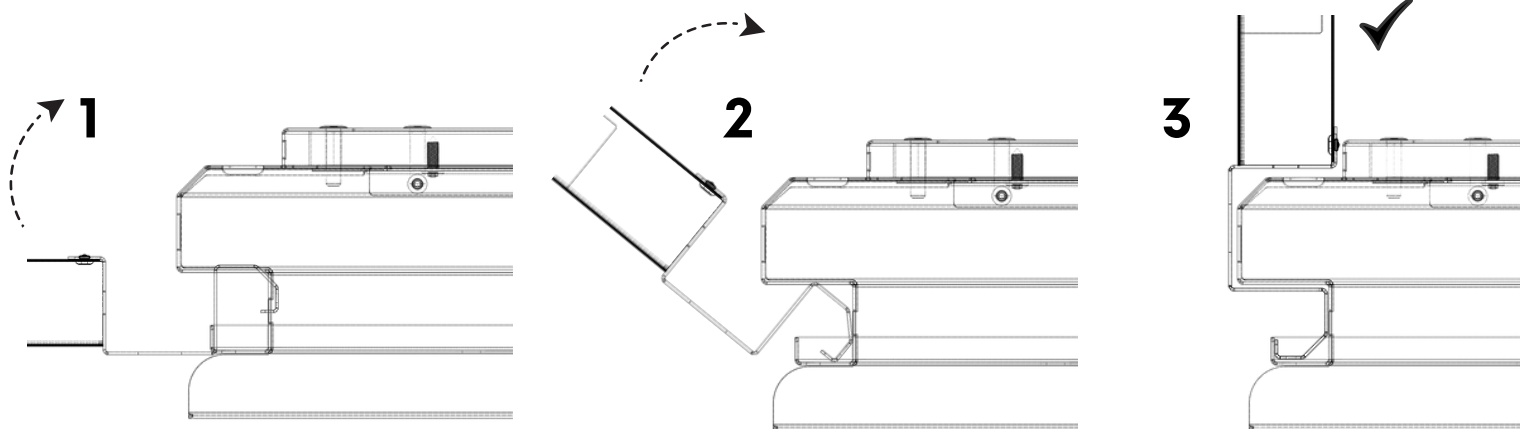


**1**

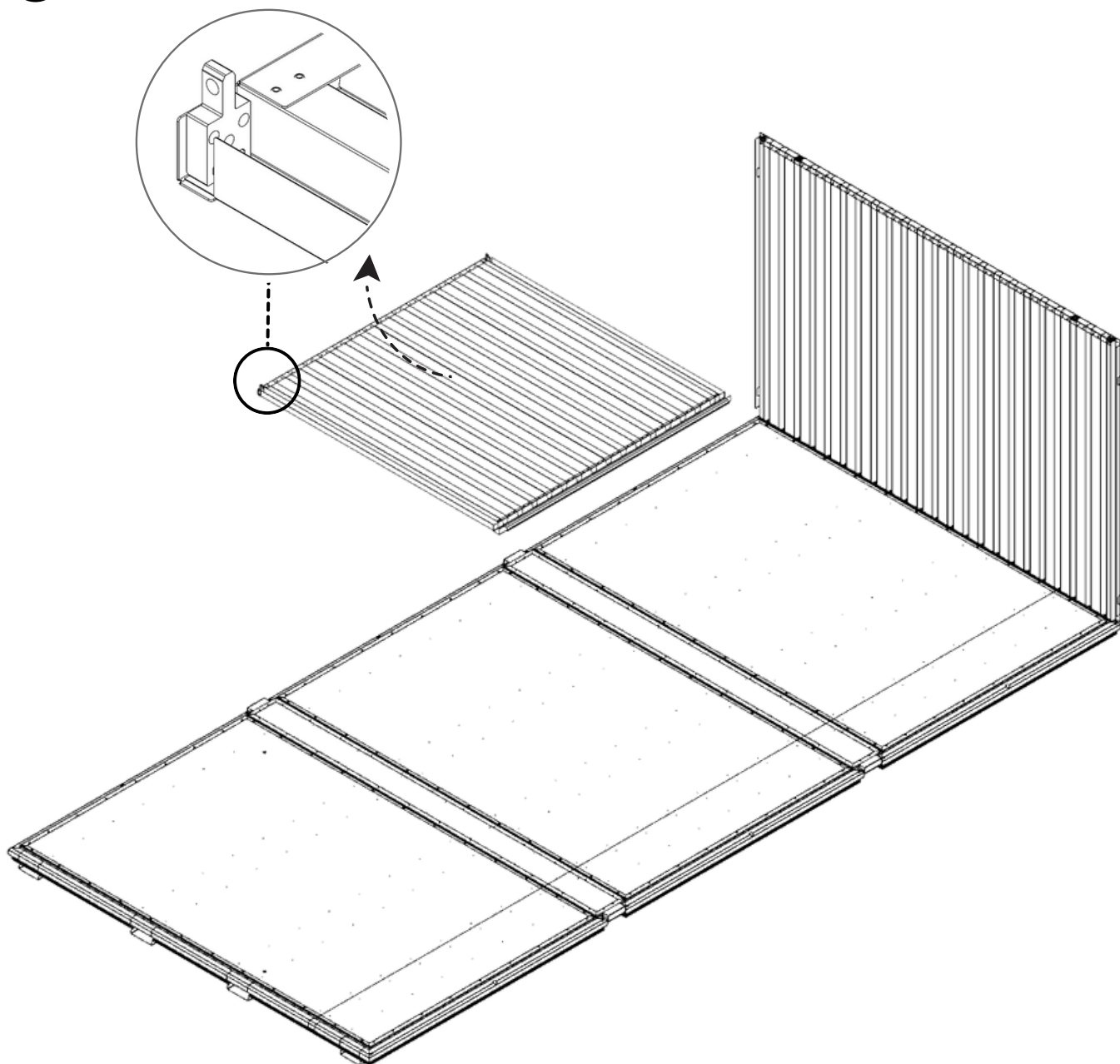


**2**



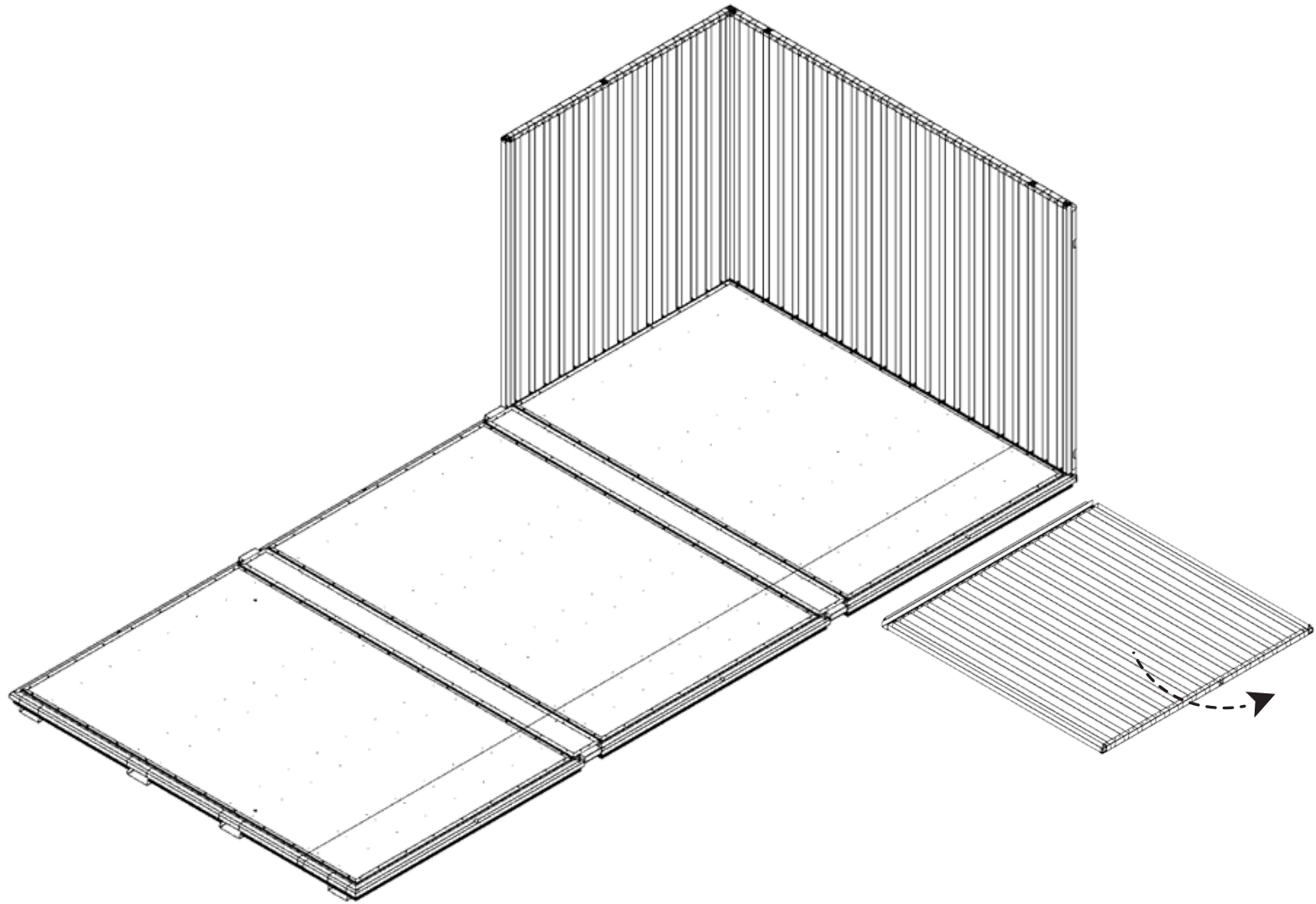


3

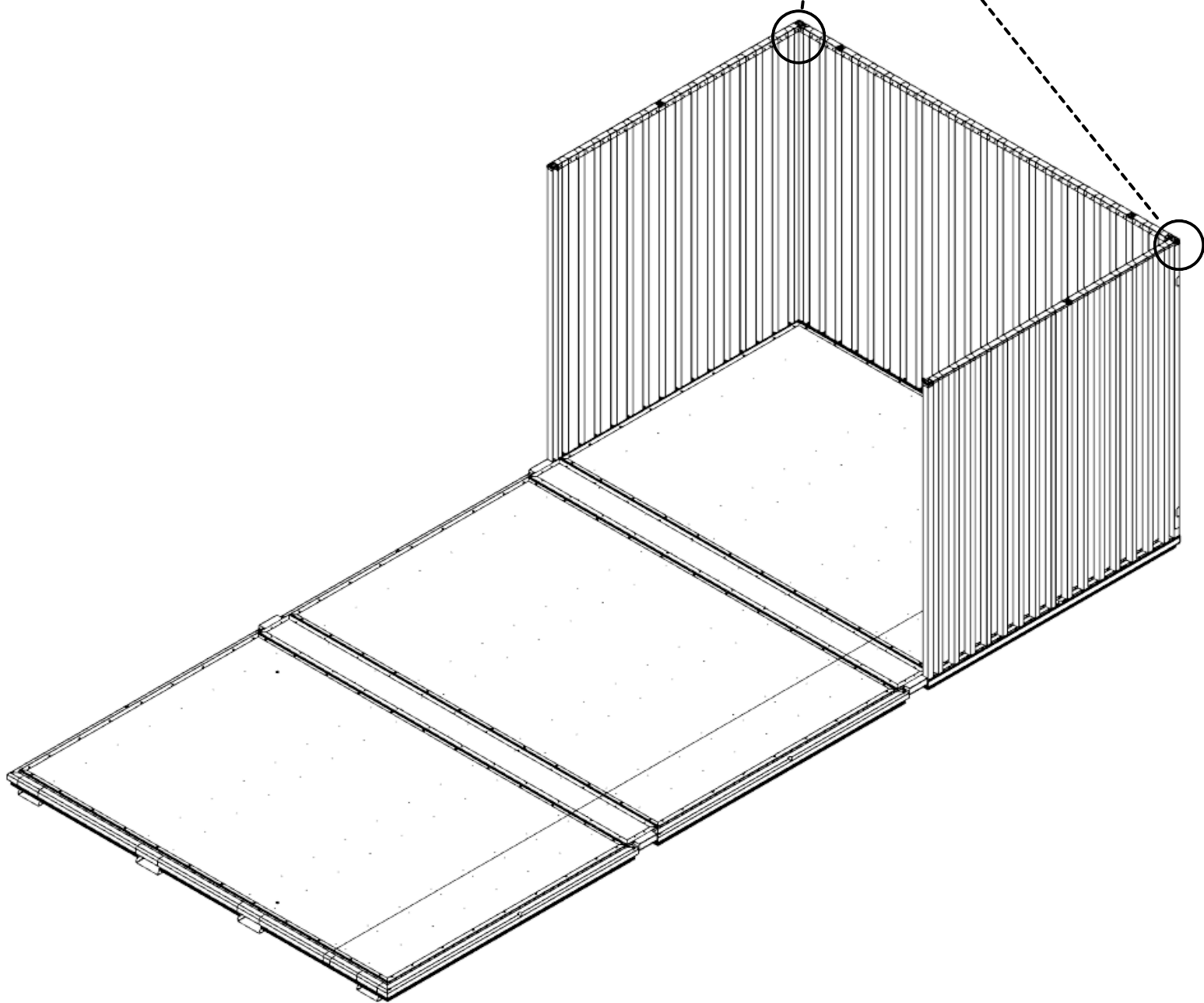
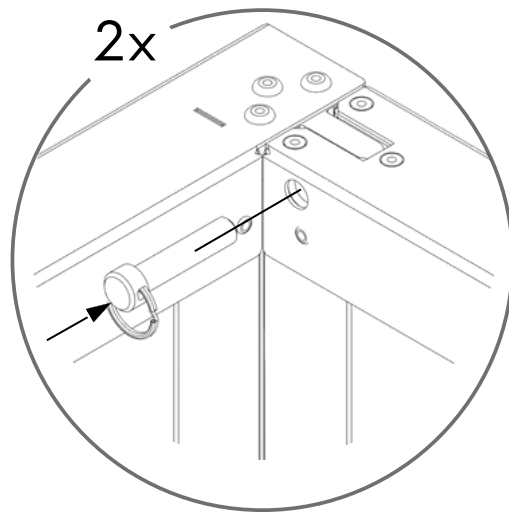




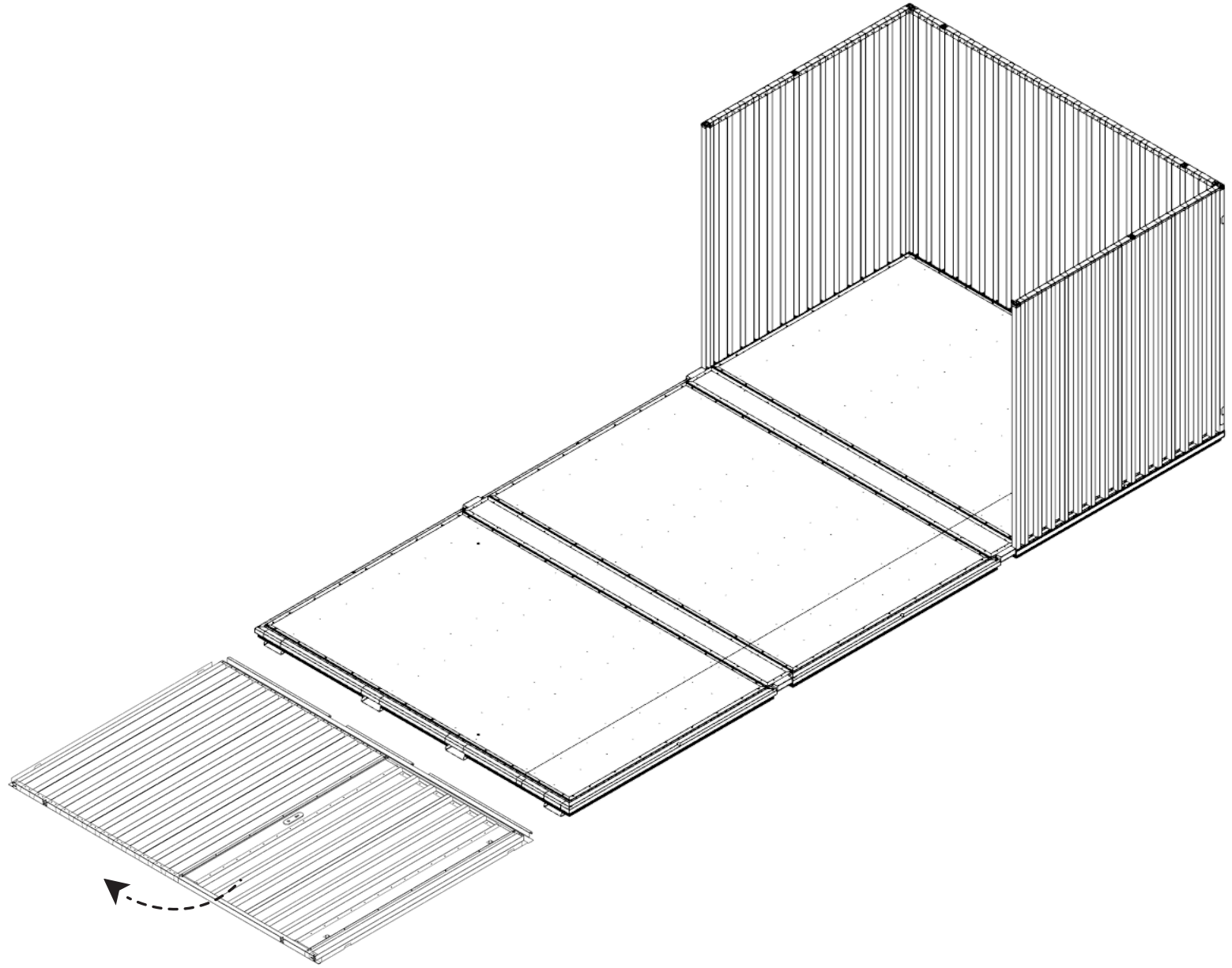
4



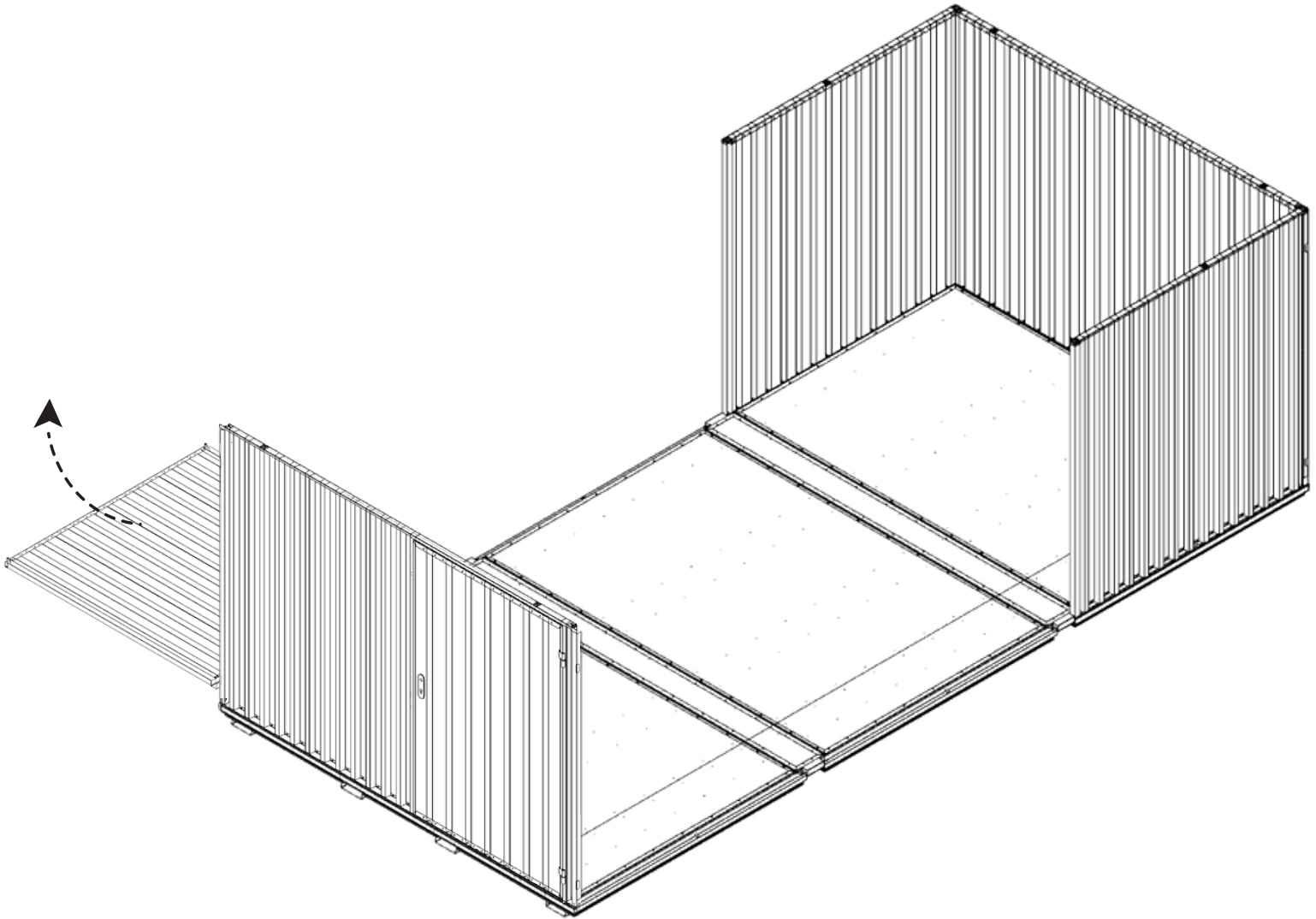
# 4.1



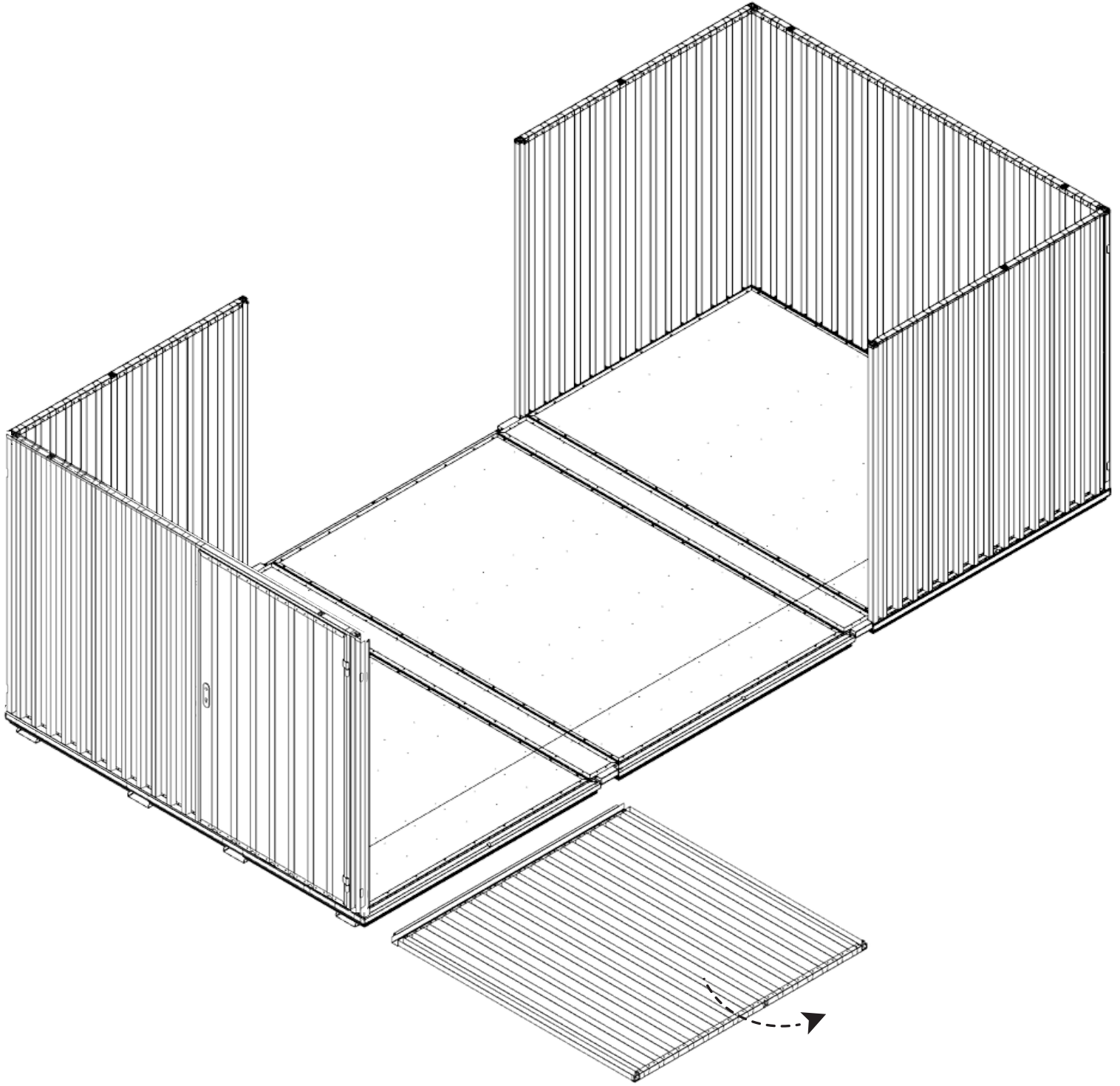
5



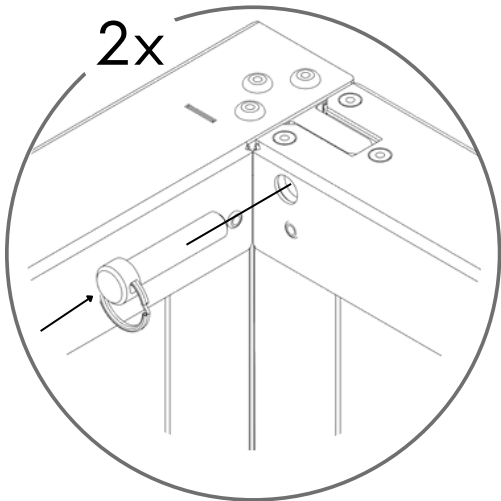
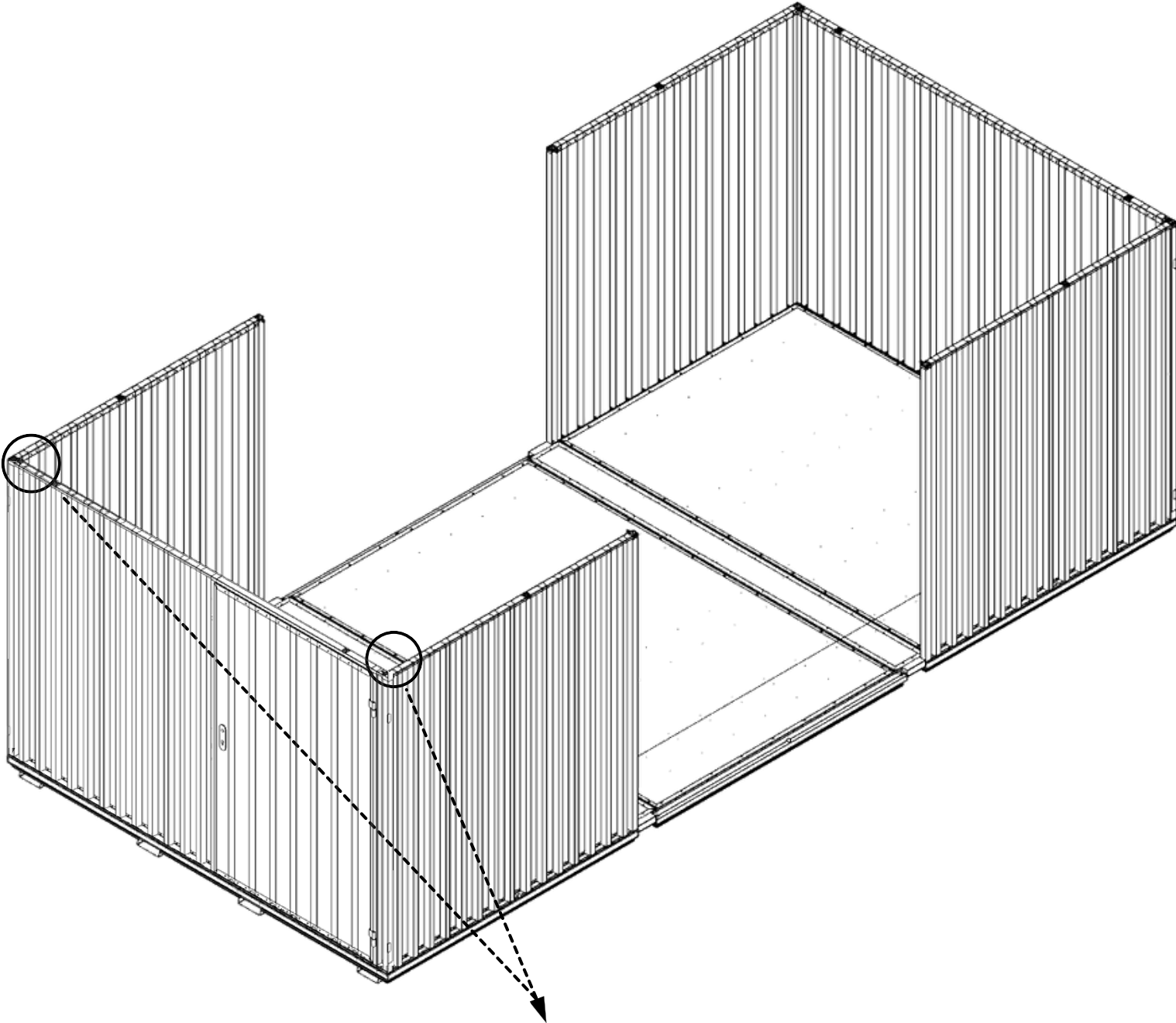
6



7

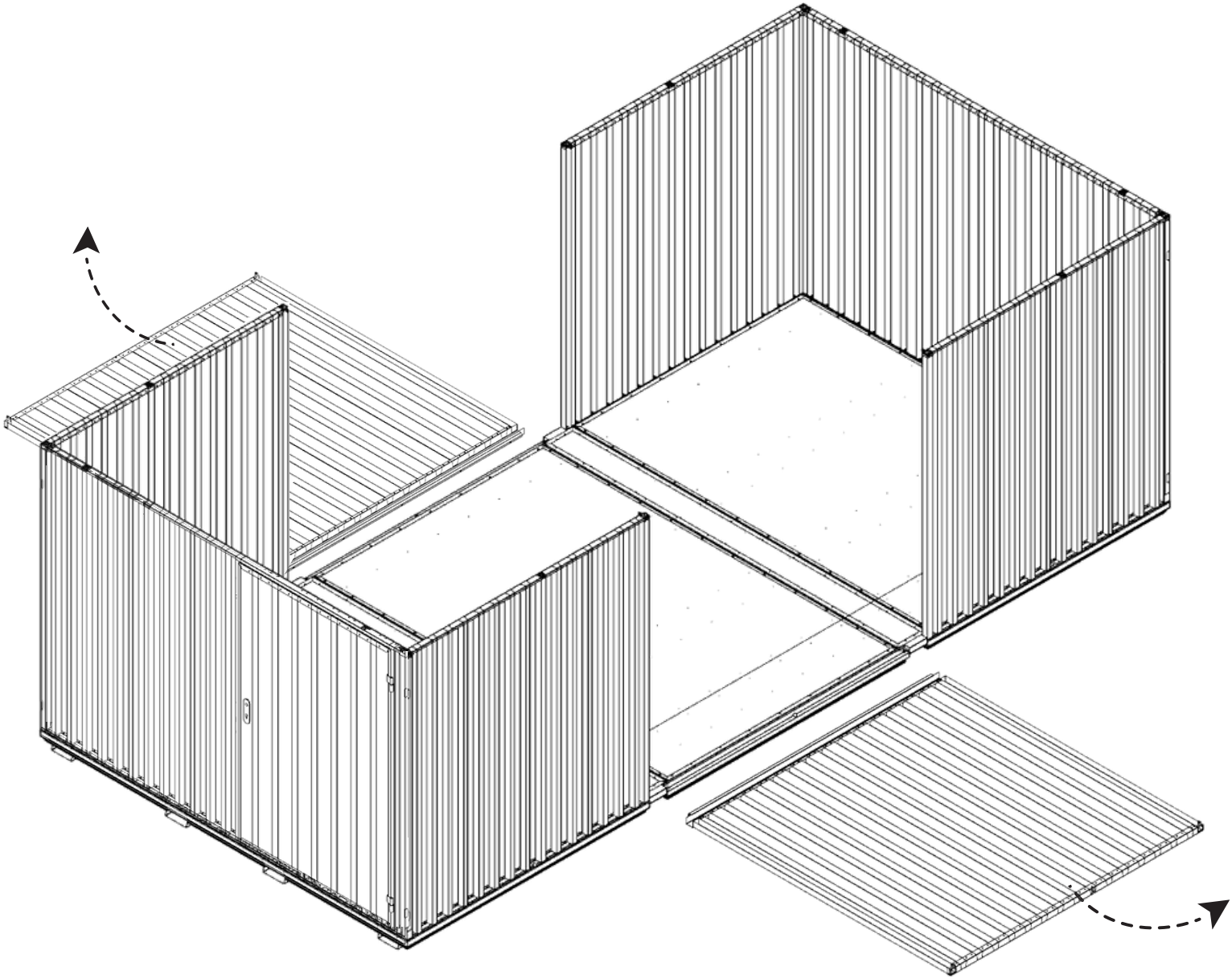


# 7.1

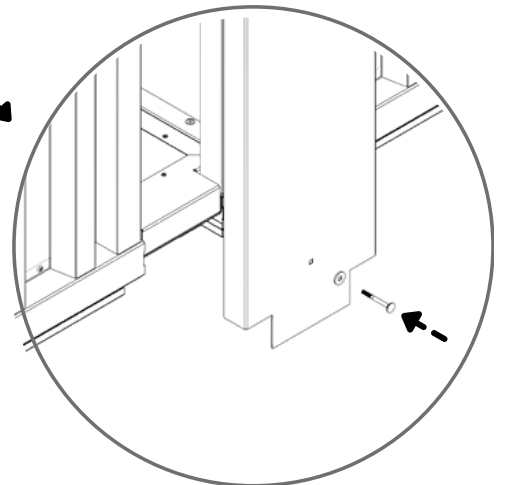
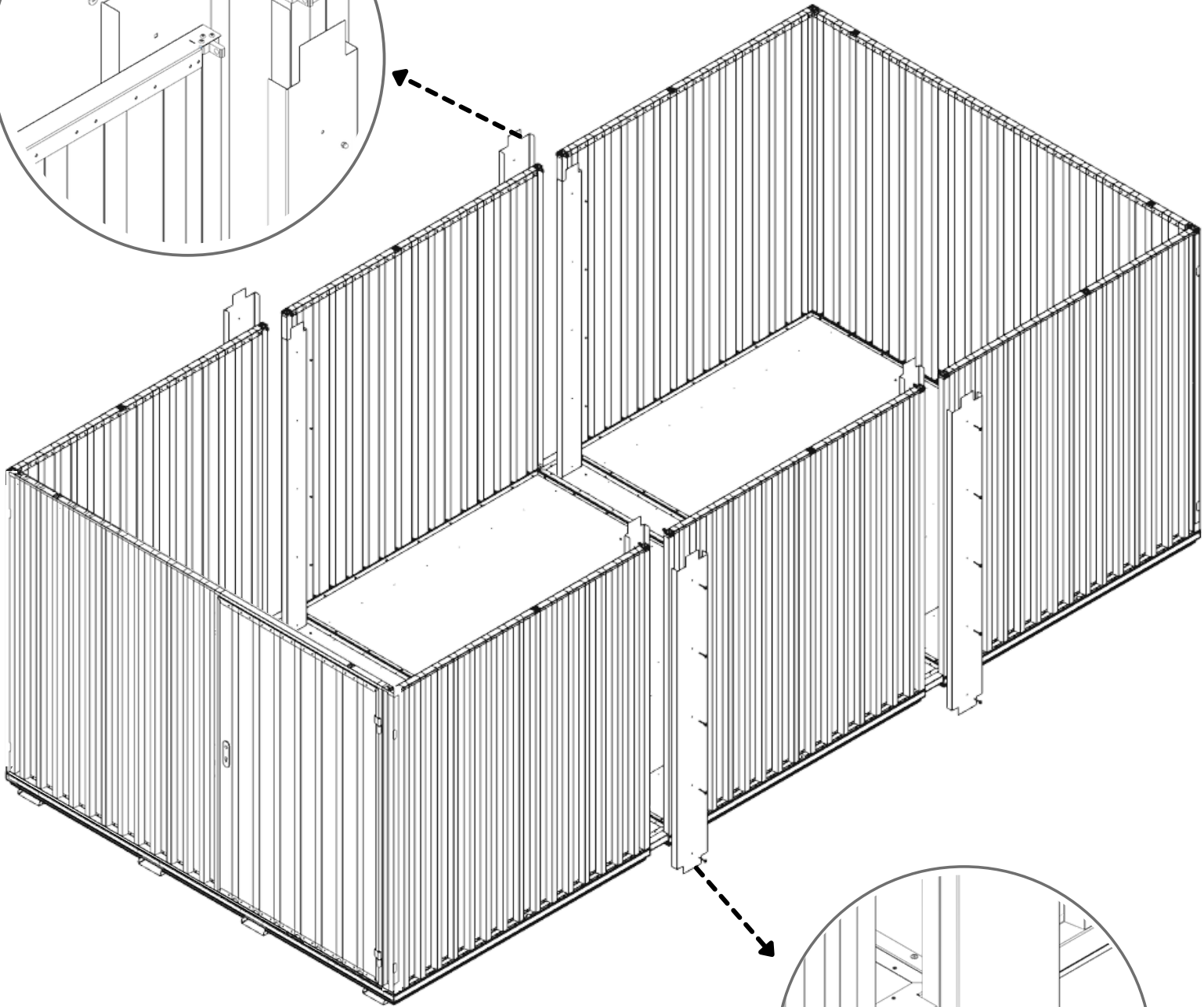
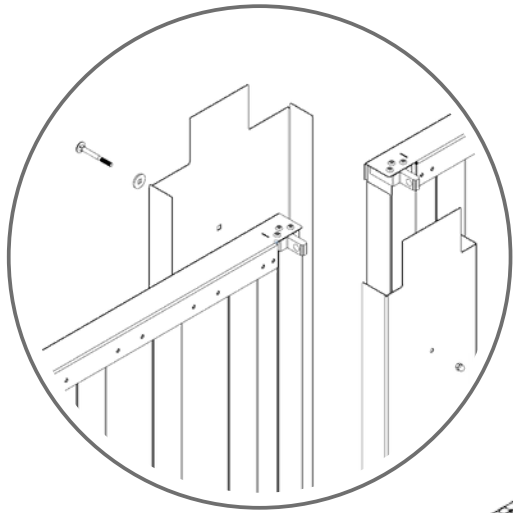




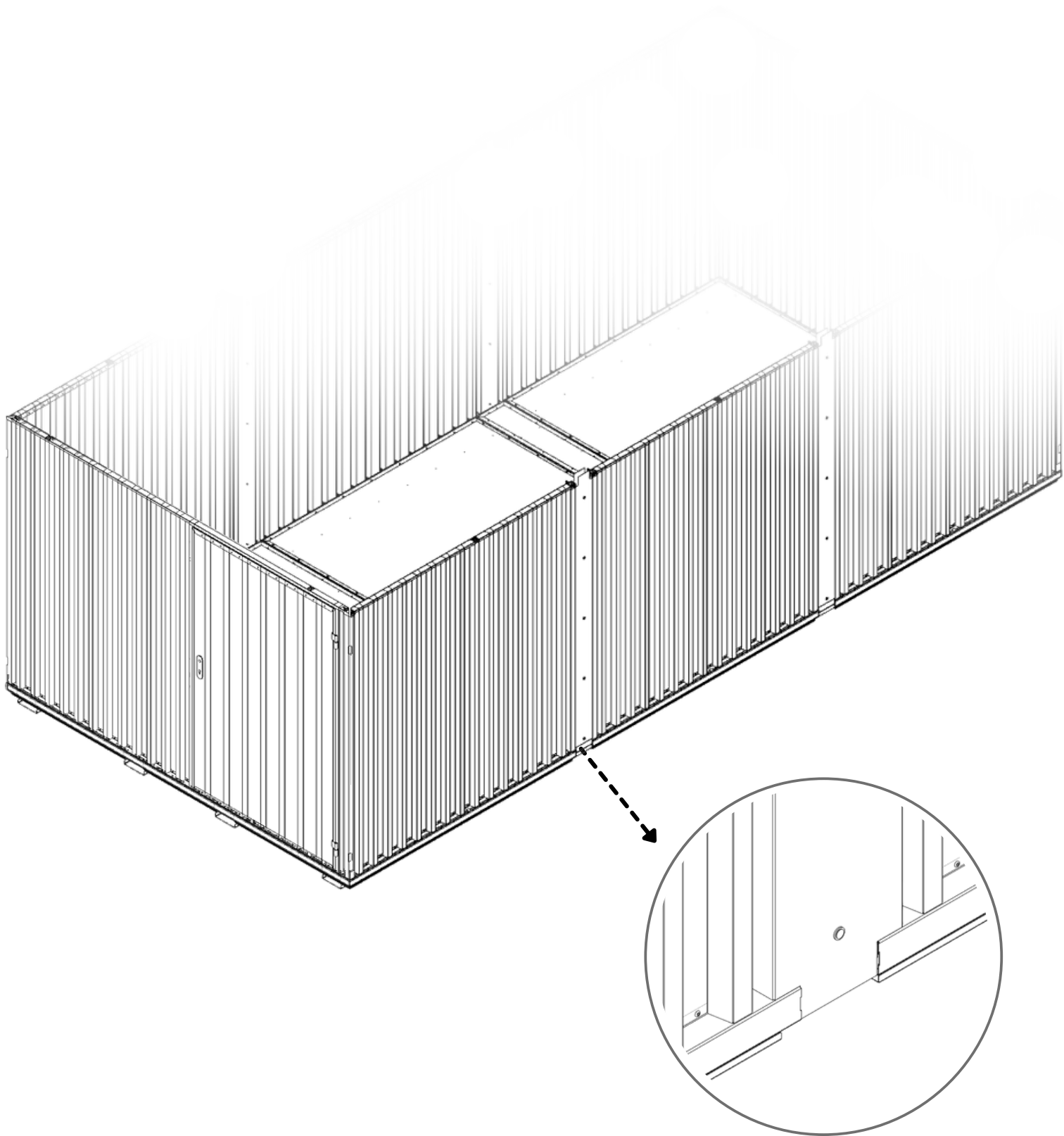
8



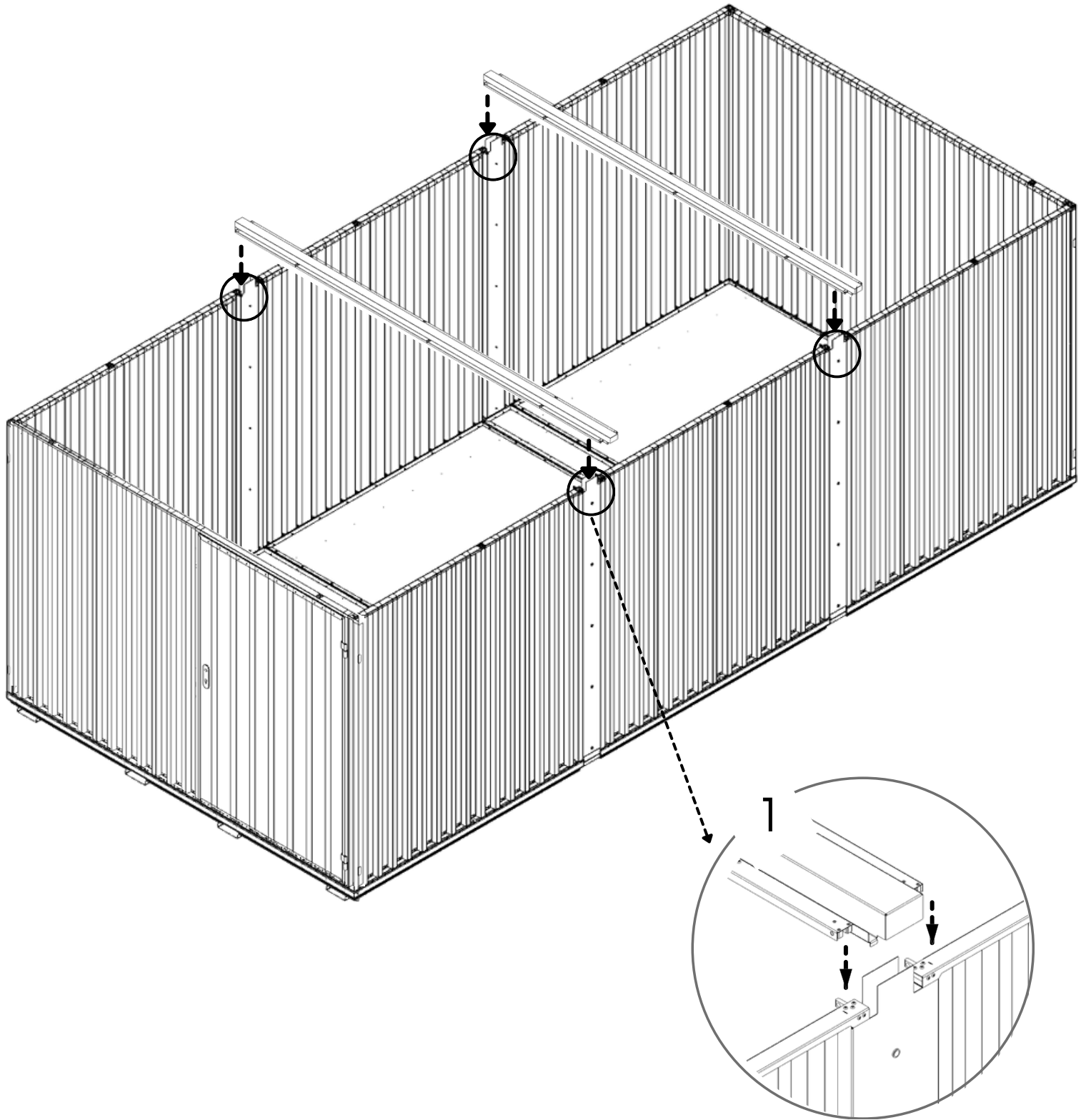
9



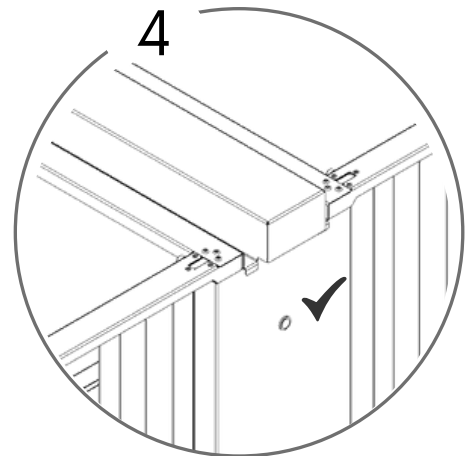
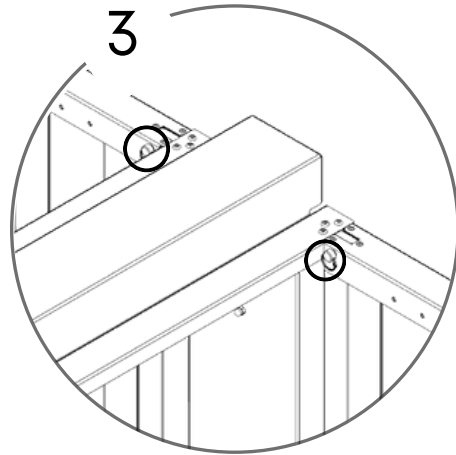
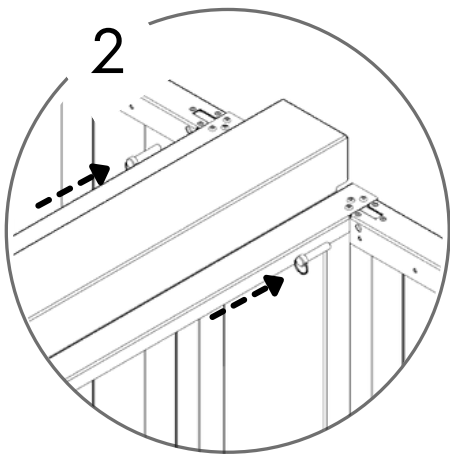
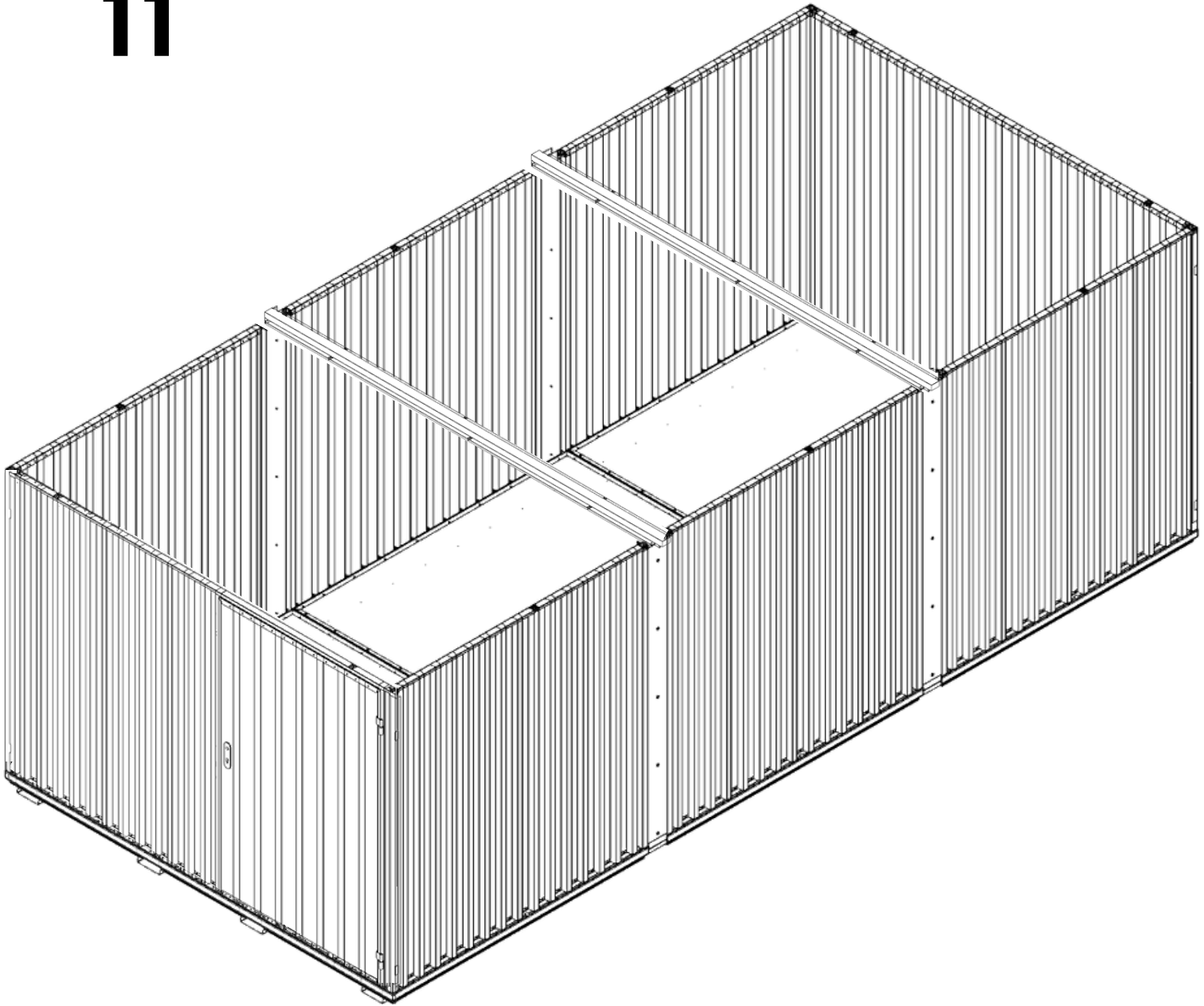
# 9.1











# 10

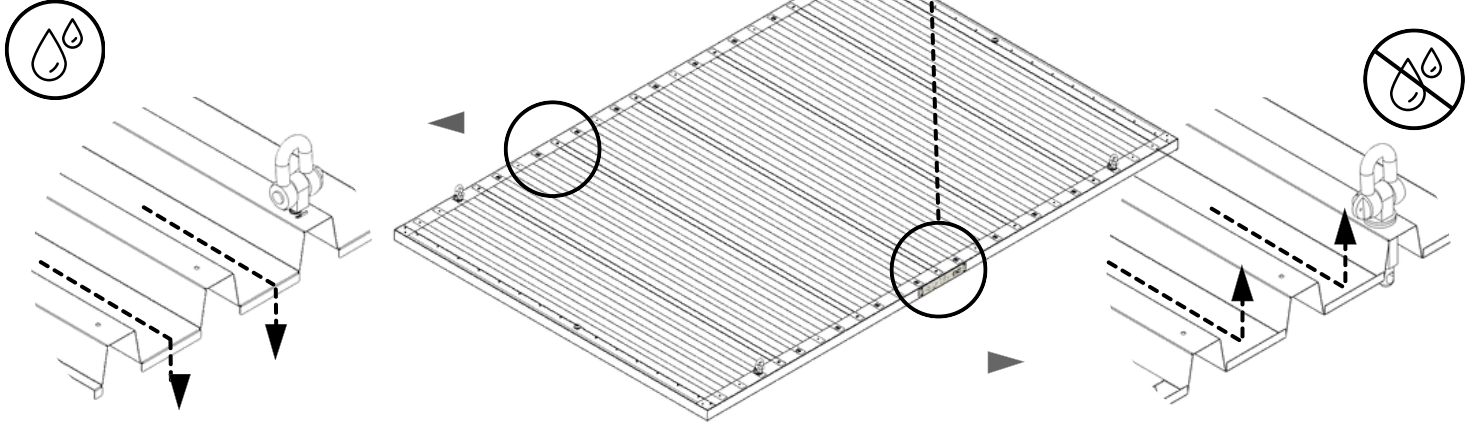


# 11

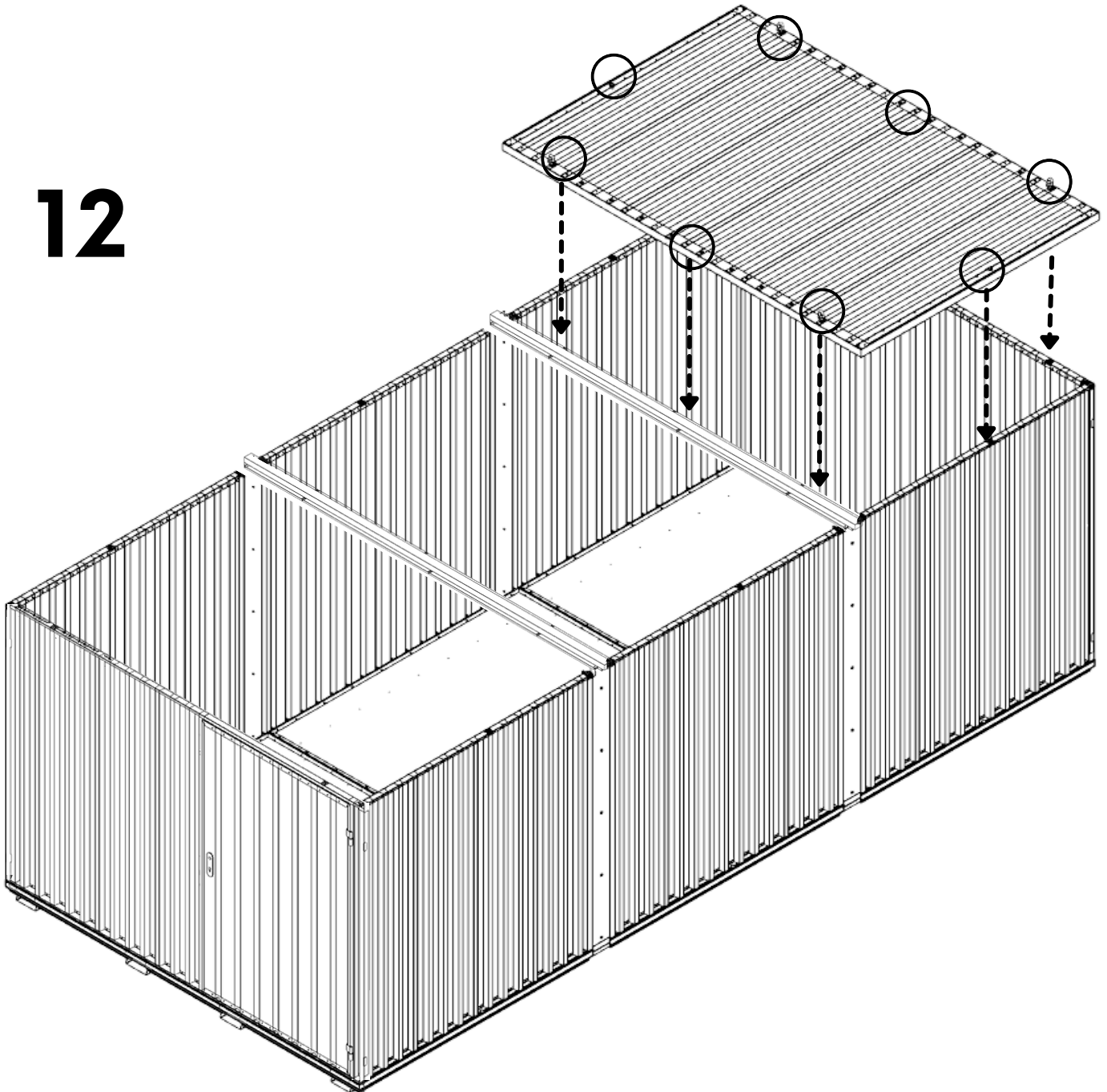




 875 KG	 1640 MM	Model Code: 3033.110.440 Production Tracking Code: ...../X09.1.3033.440	  	 	
---	--	---	---	---	---

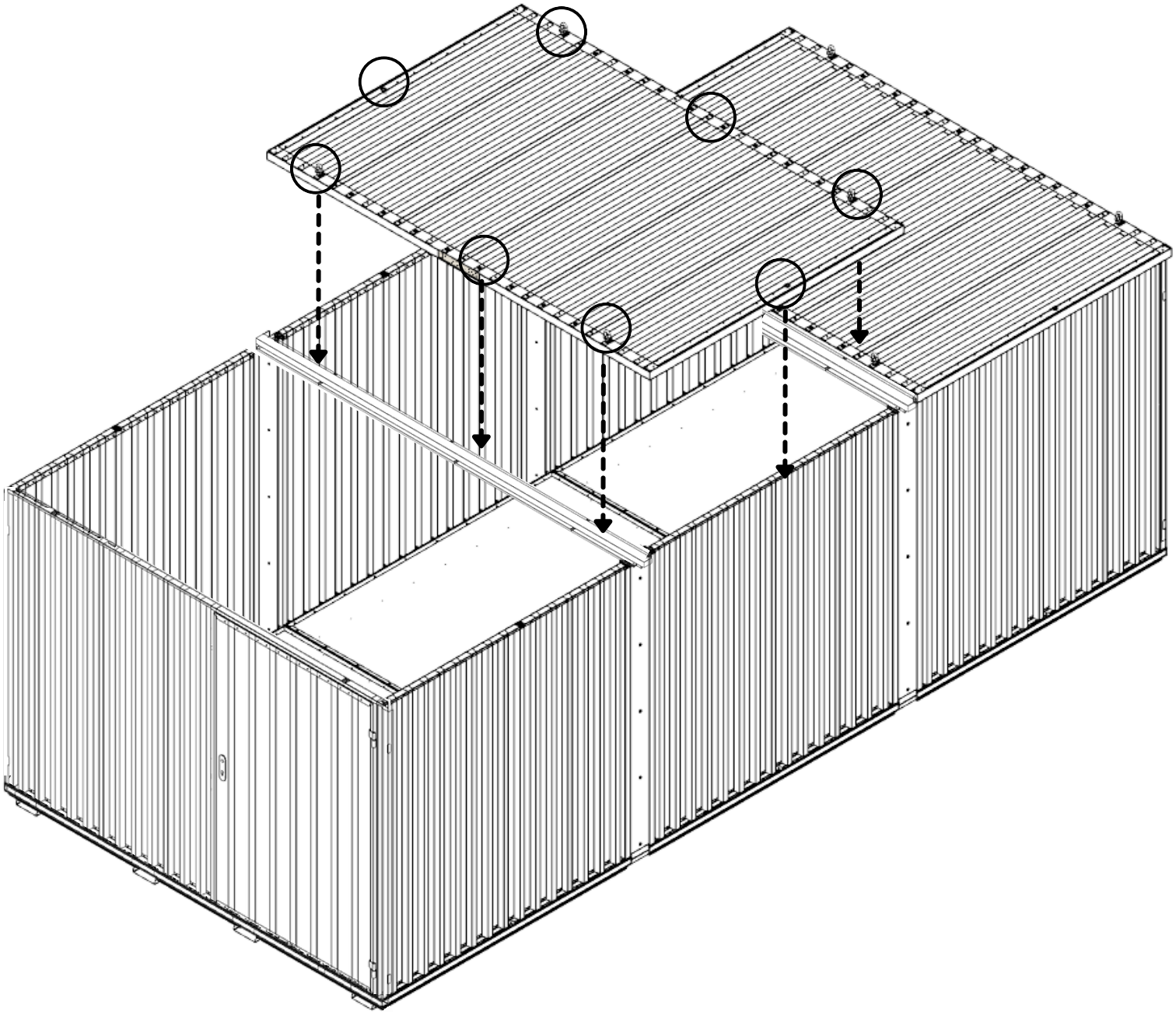


12

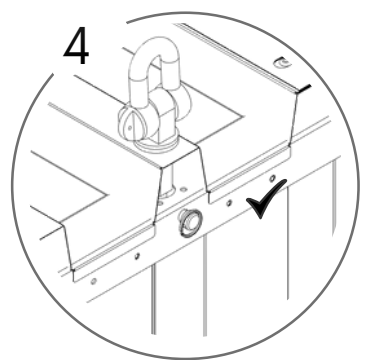
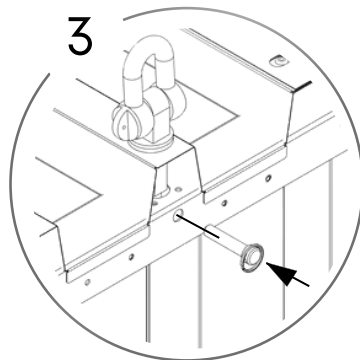
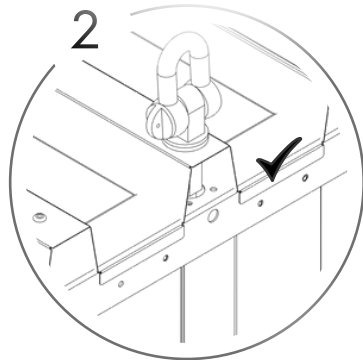
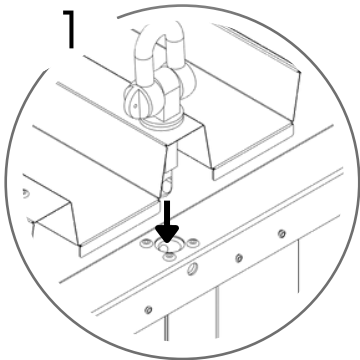
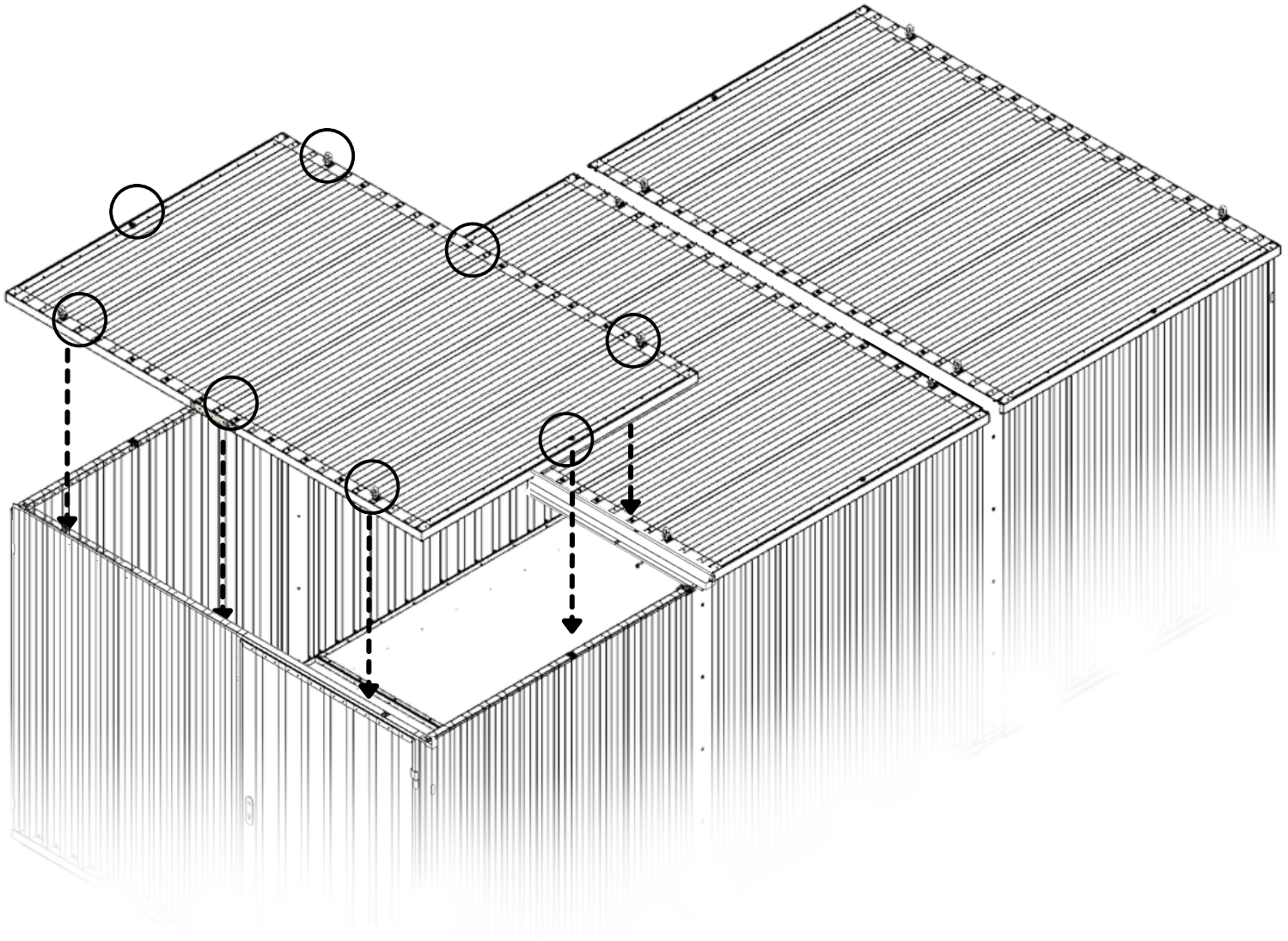




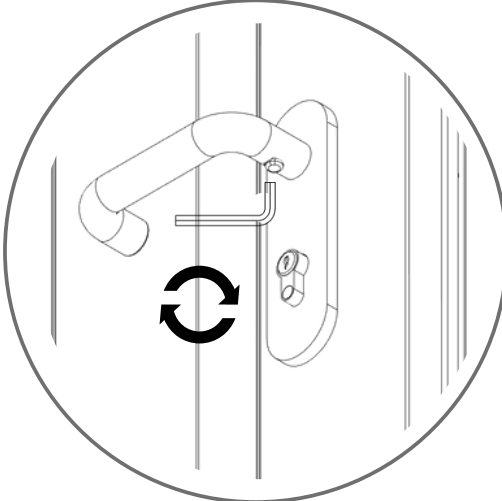
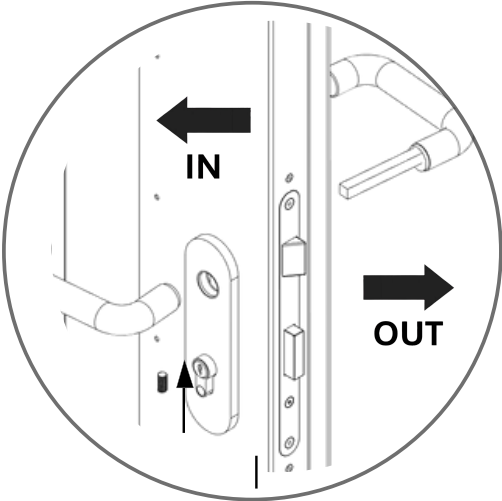
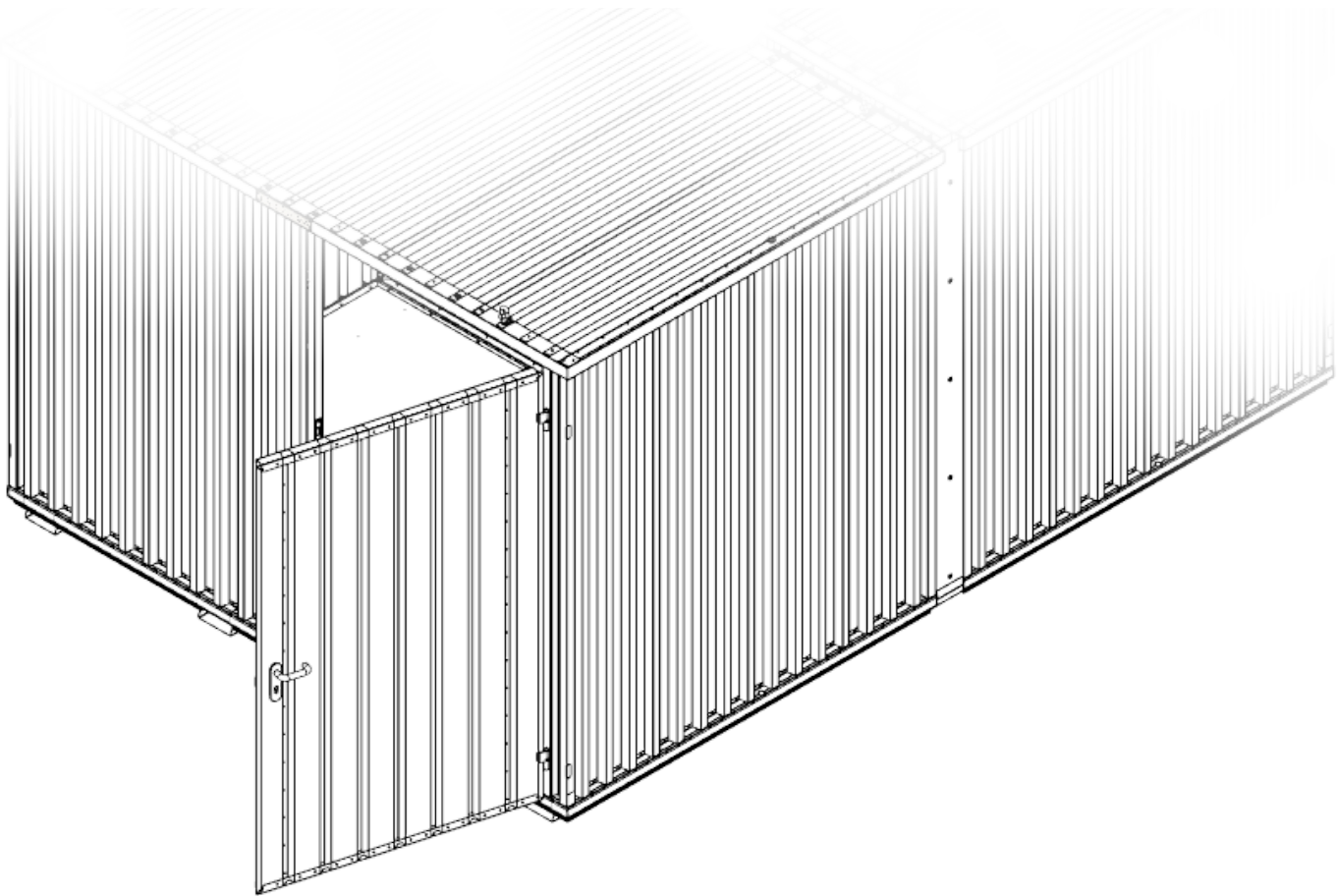
# 13



# 14



# 15



16

