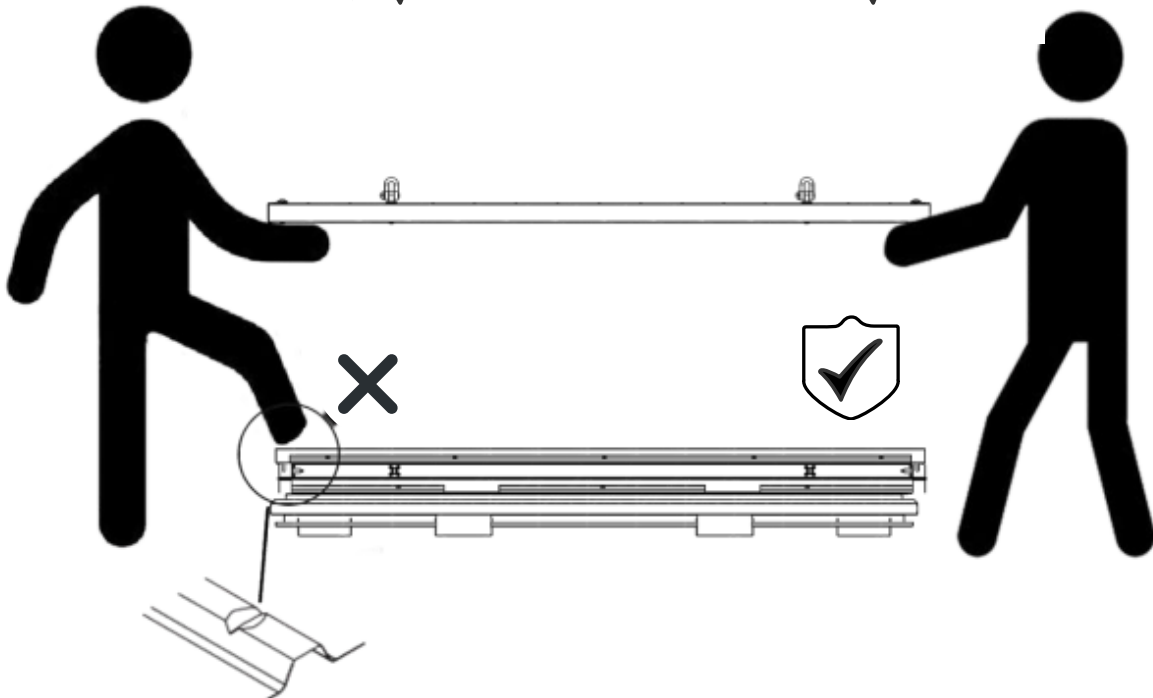
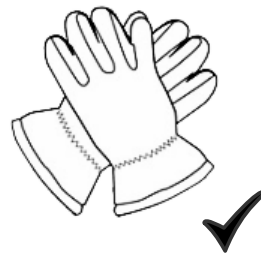
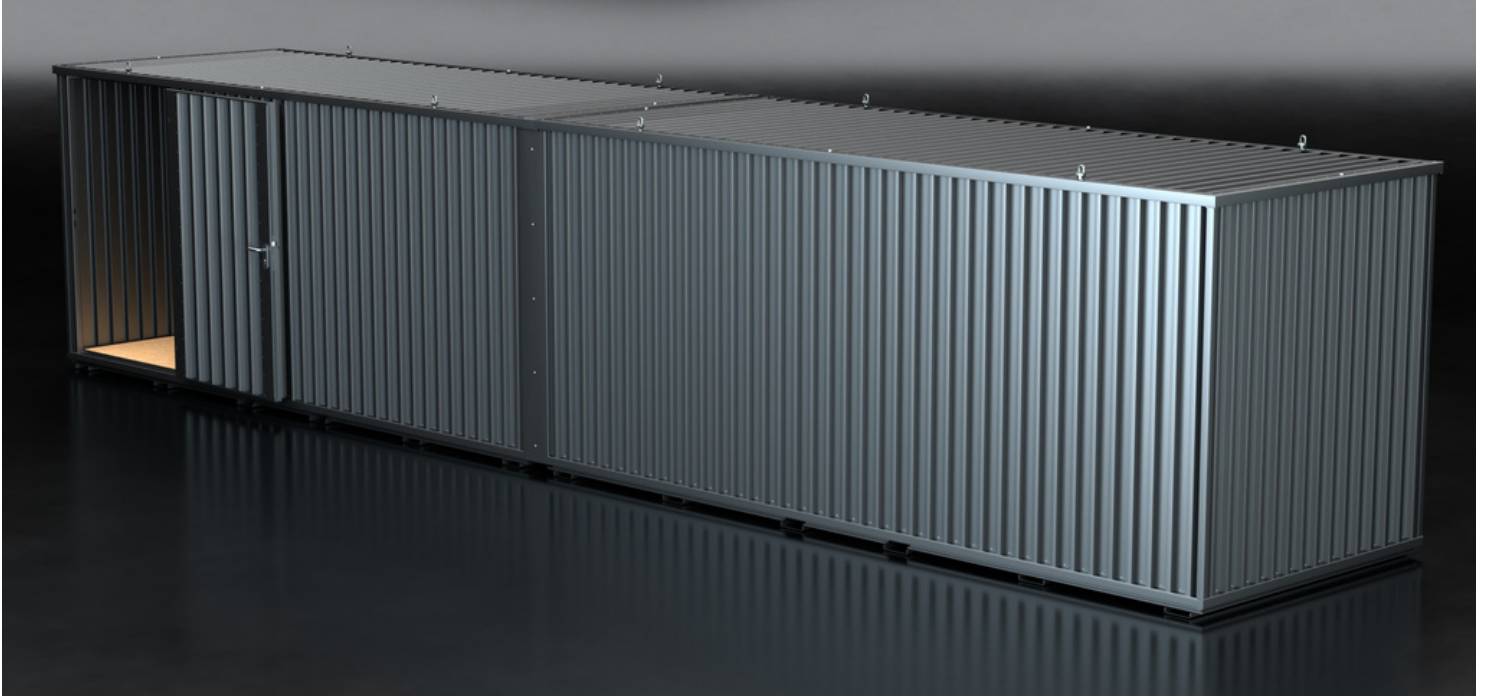


PRODUCT CODE:5050.110.450

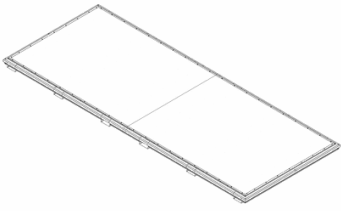
prefabase
Quick Build Solutions

Instructions and User Guide



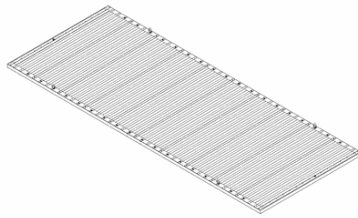
50.0110

2x



50.0510

2x



306.0110

1x



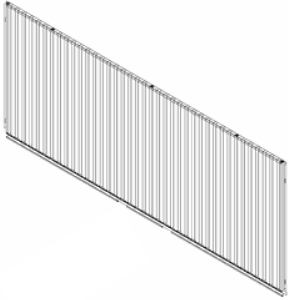
306.0510

1x



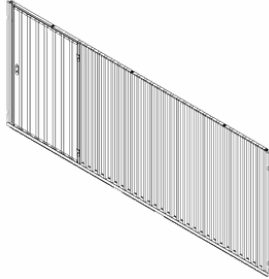
50.0410

3x



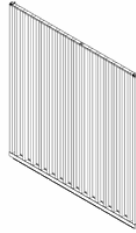
50.0450

1x



0310

2x



306.40.05

2x



306.40.04

2x

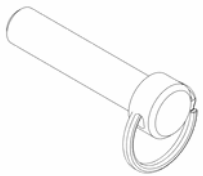


61.101

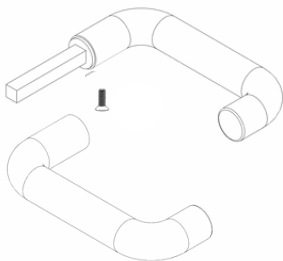
4x



24x



1x



10x



10x



10x



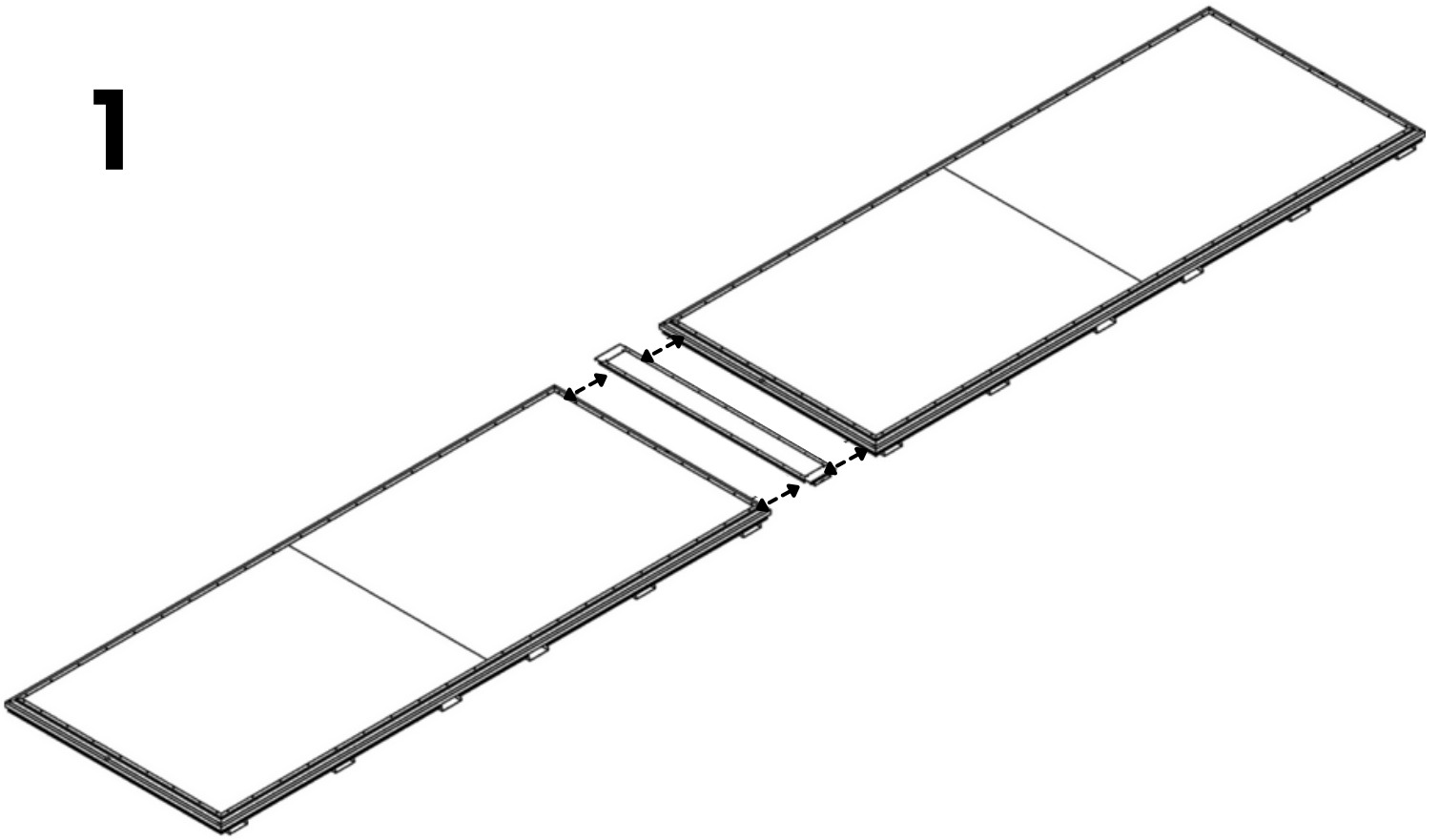
1x



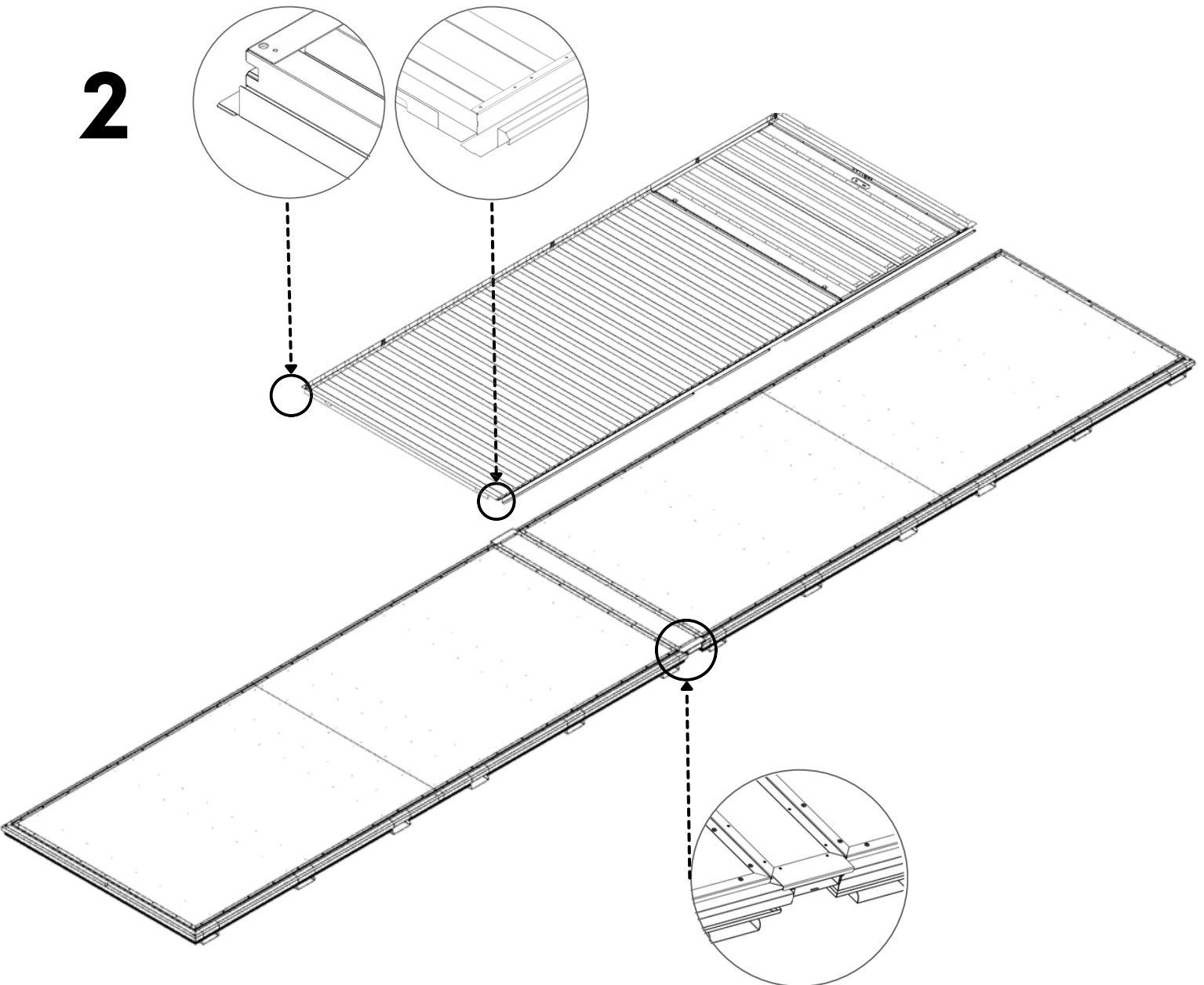
1x

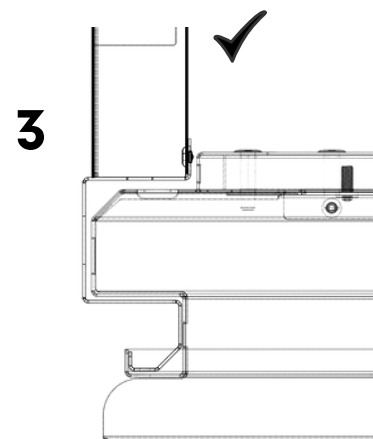
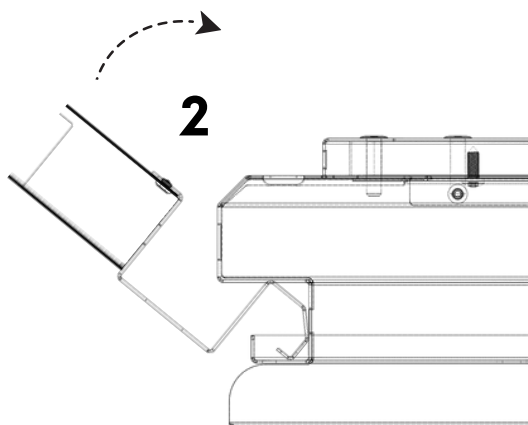
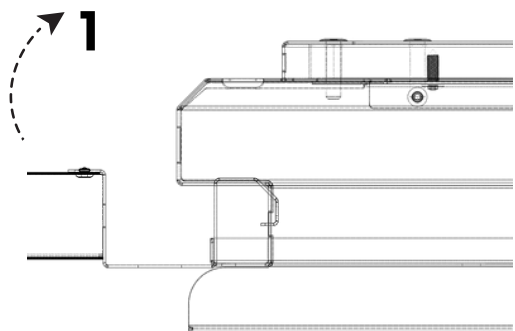


1

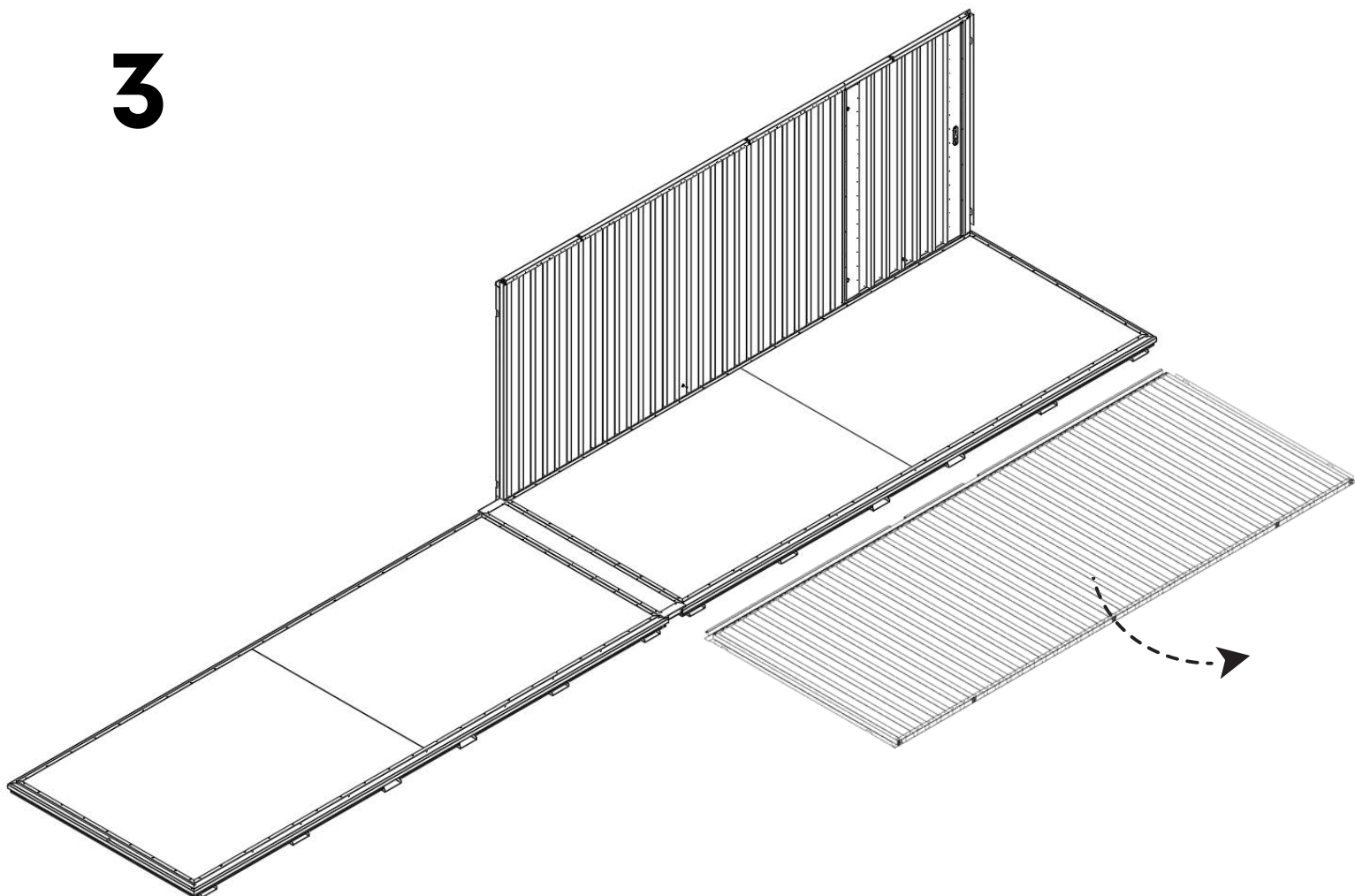


2

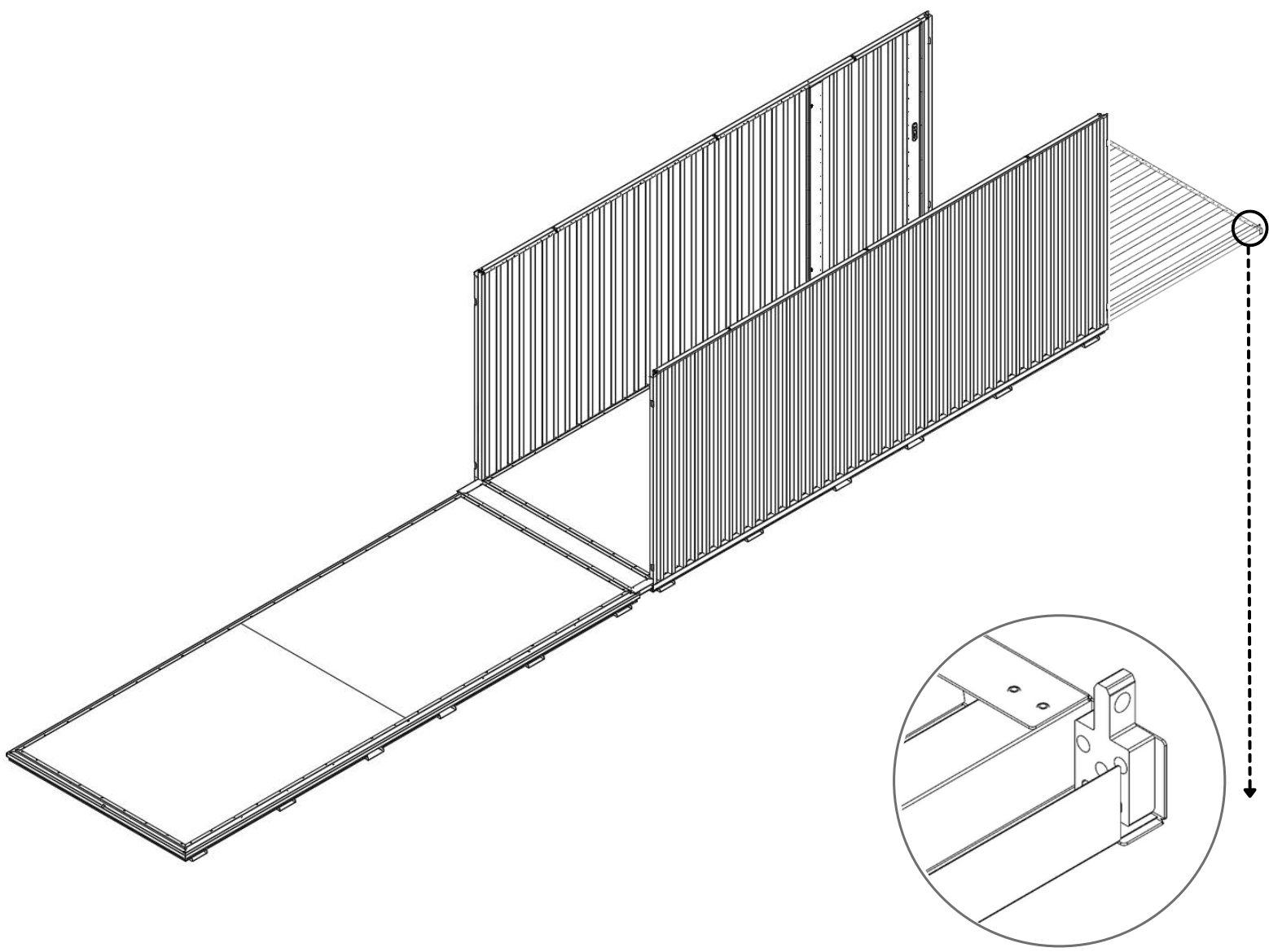




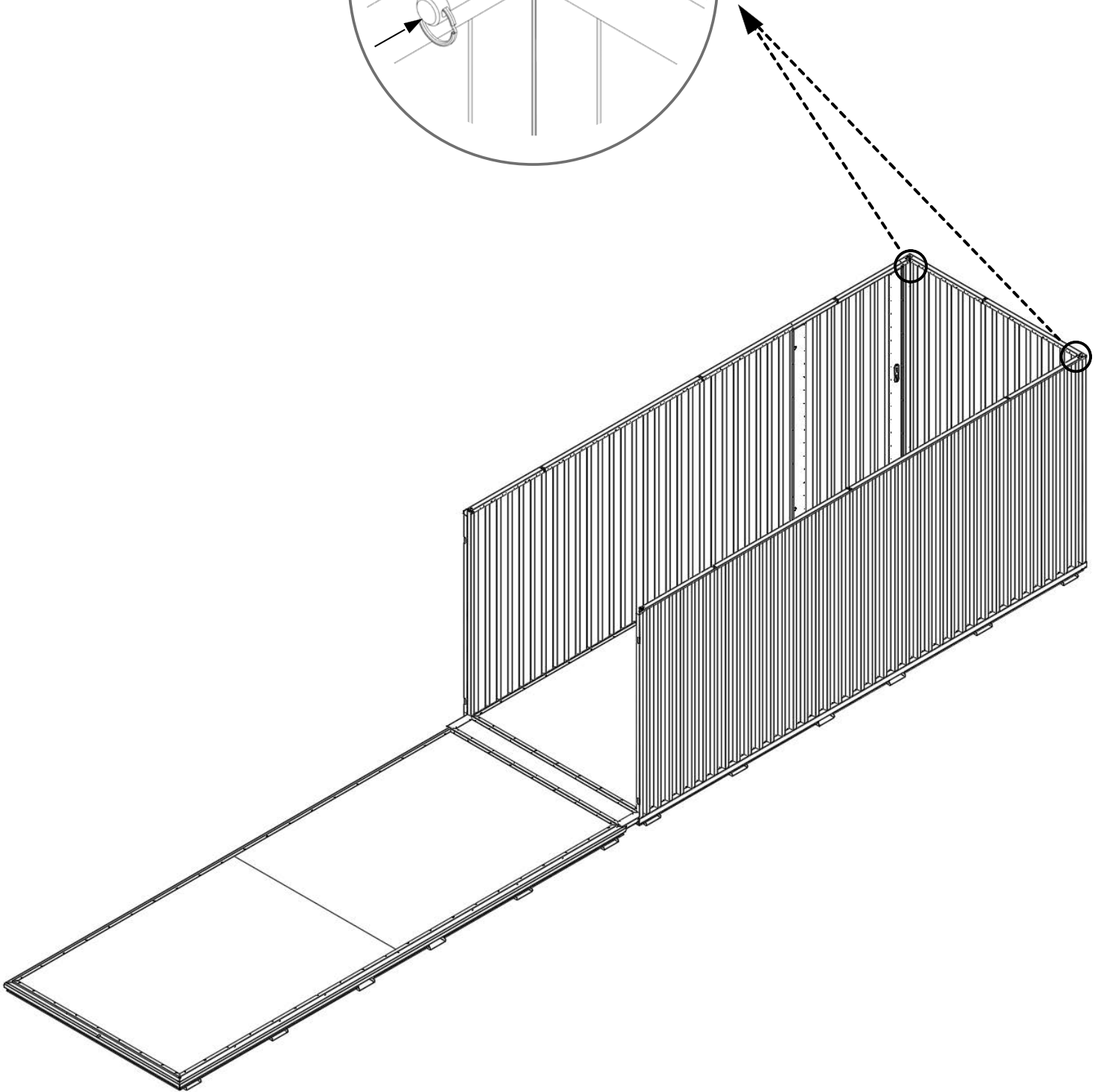
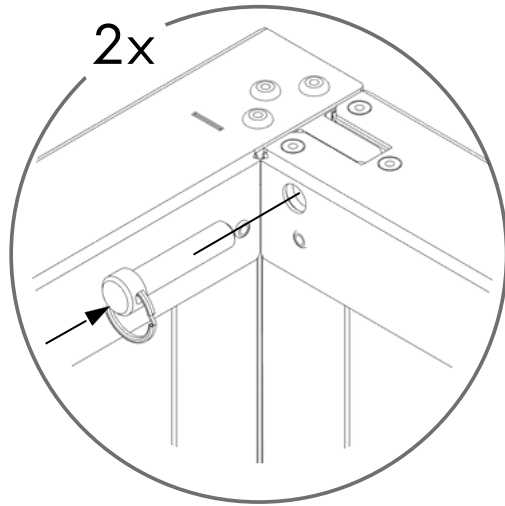
3



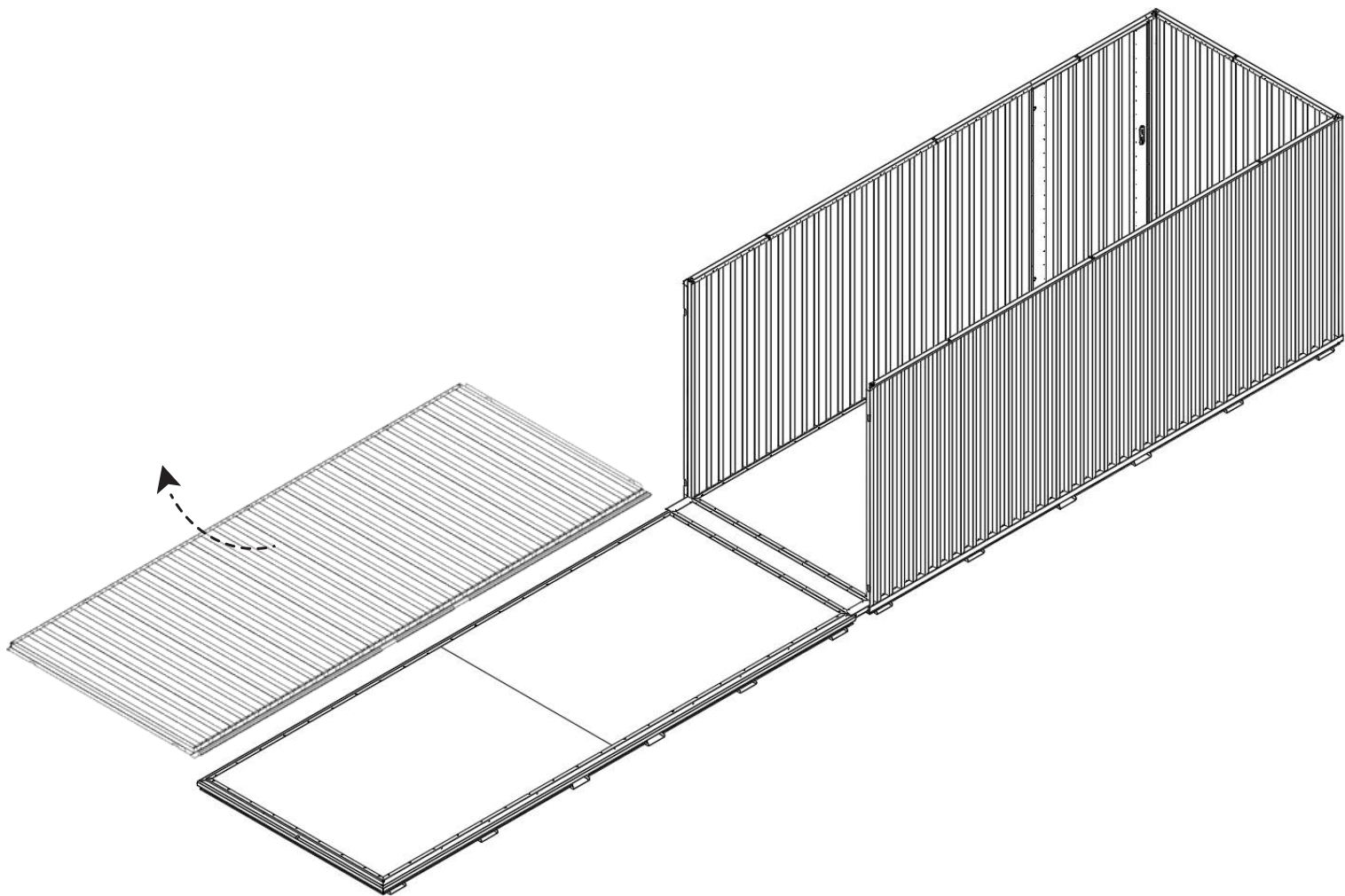
4



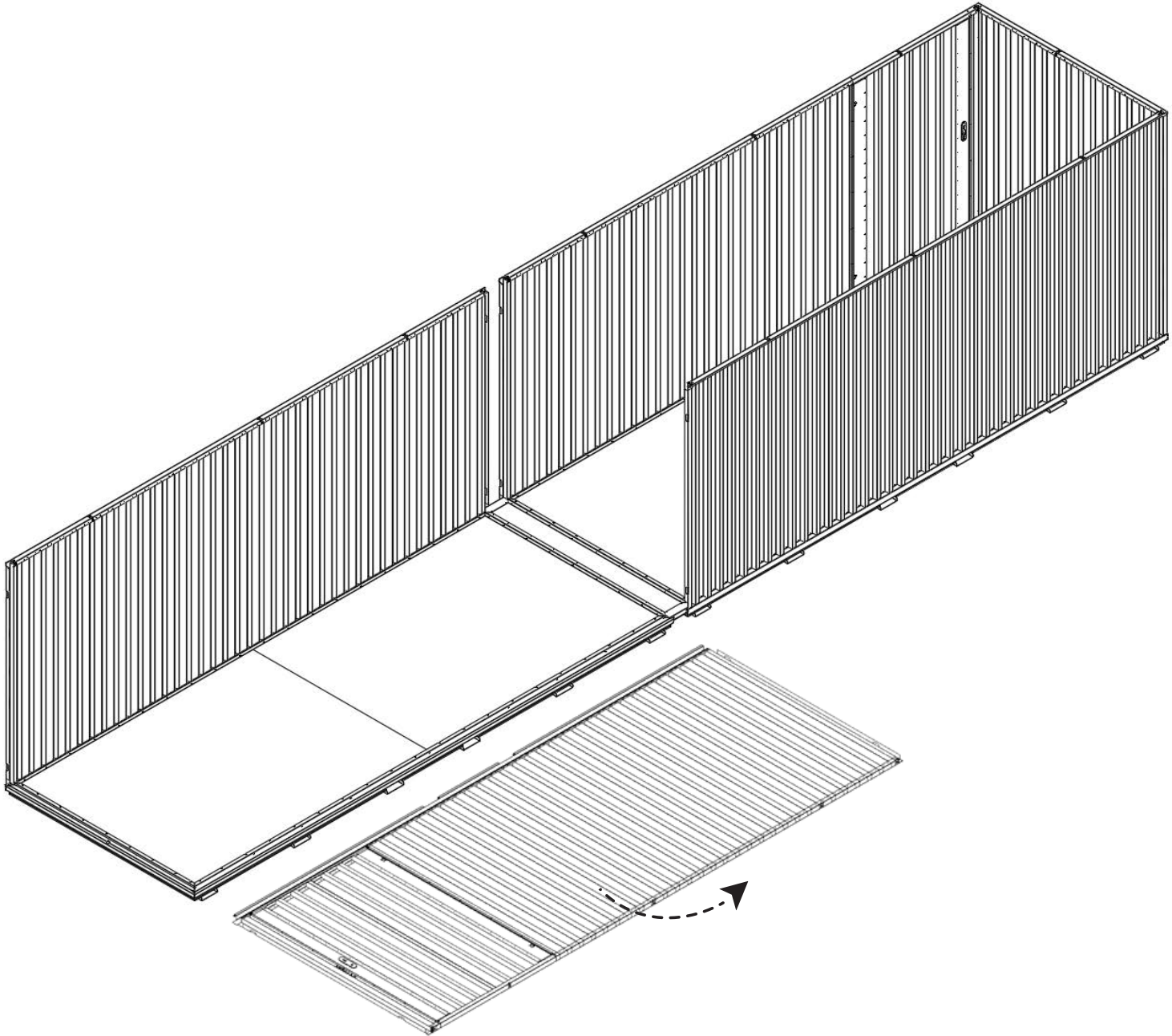
4.1



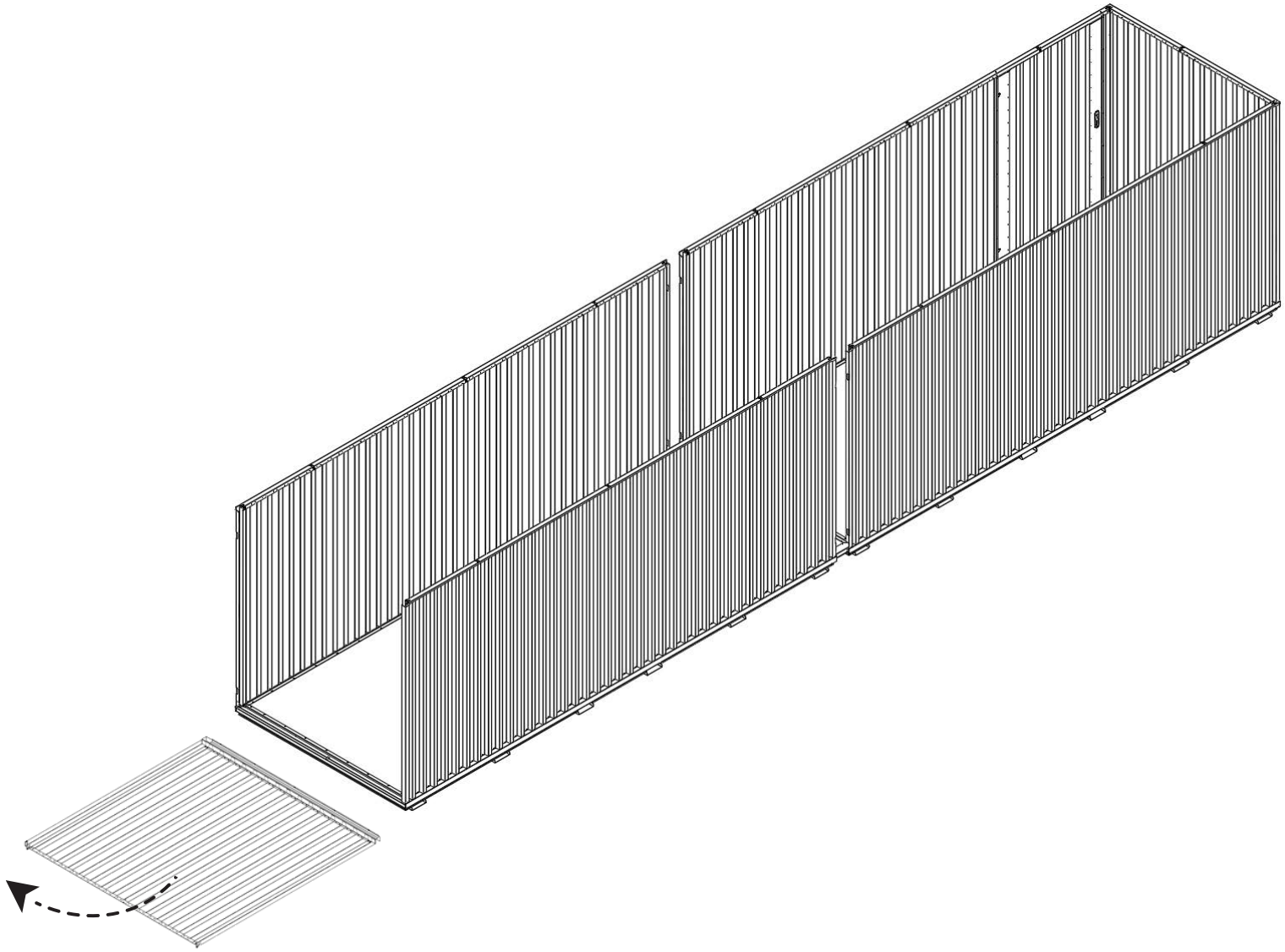
5



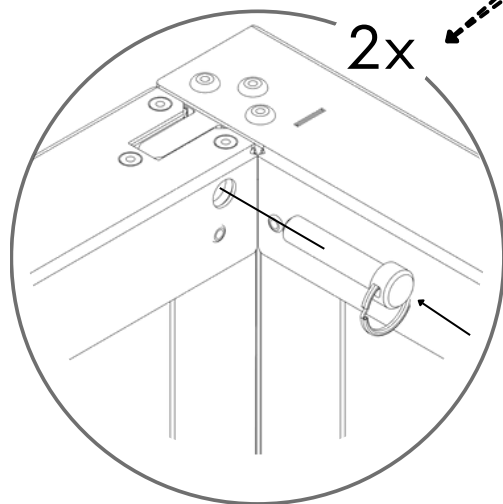
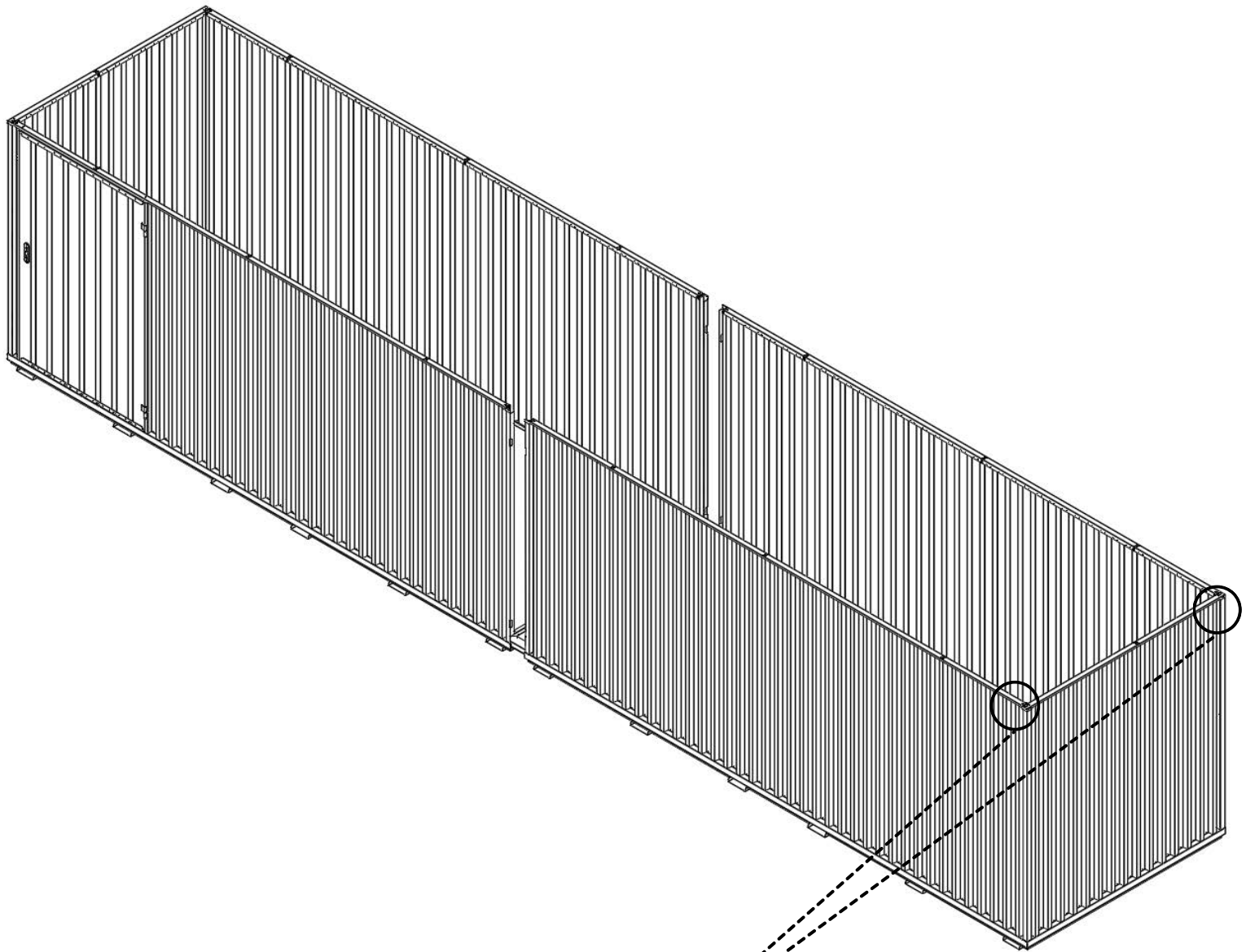
6



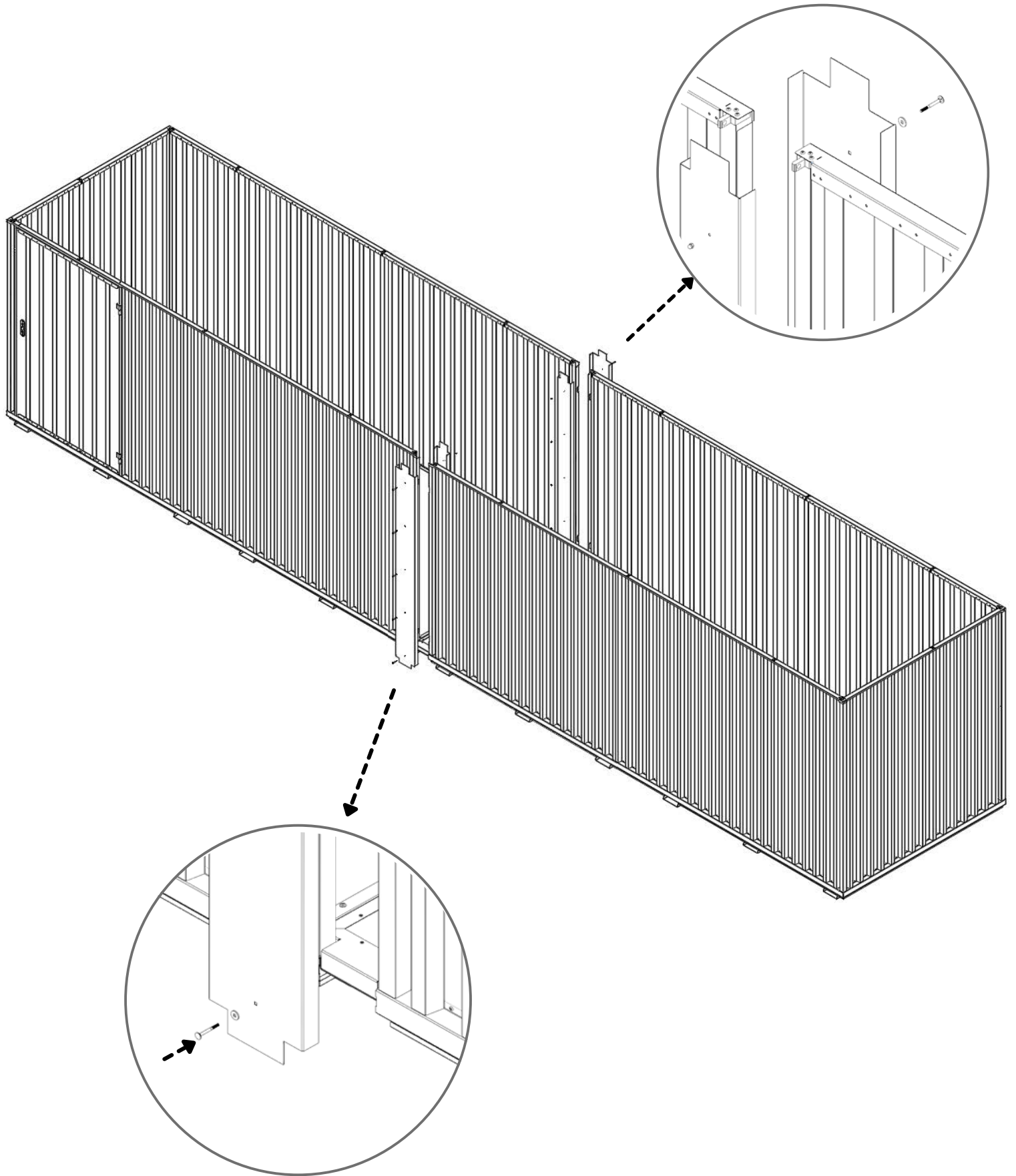
7



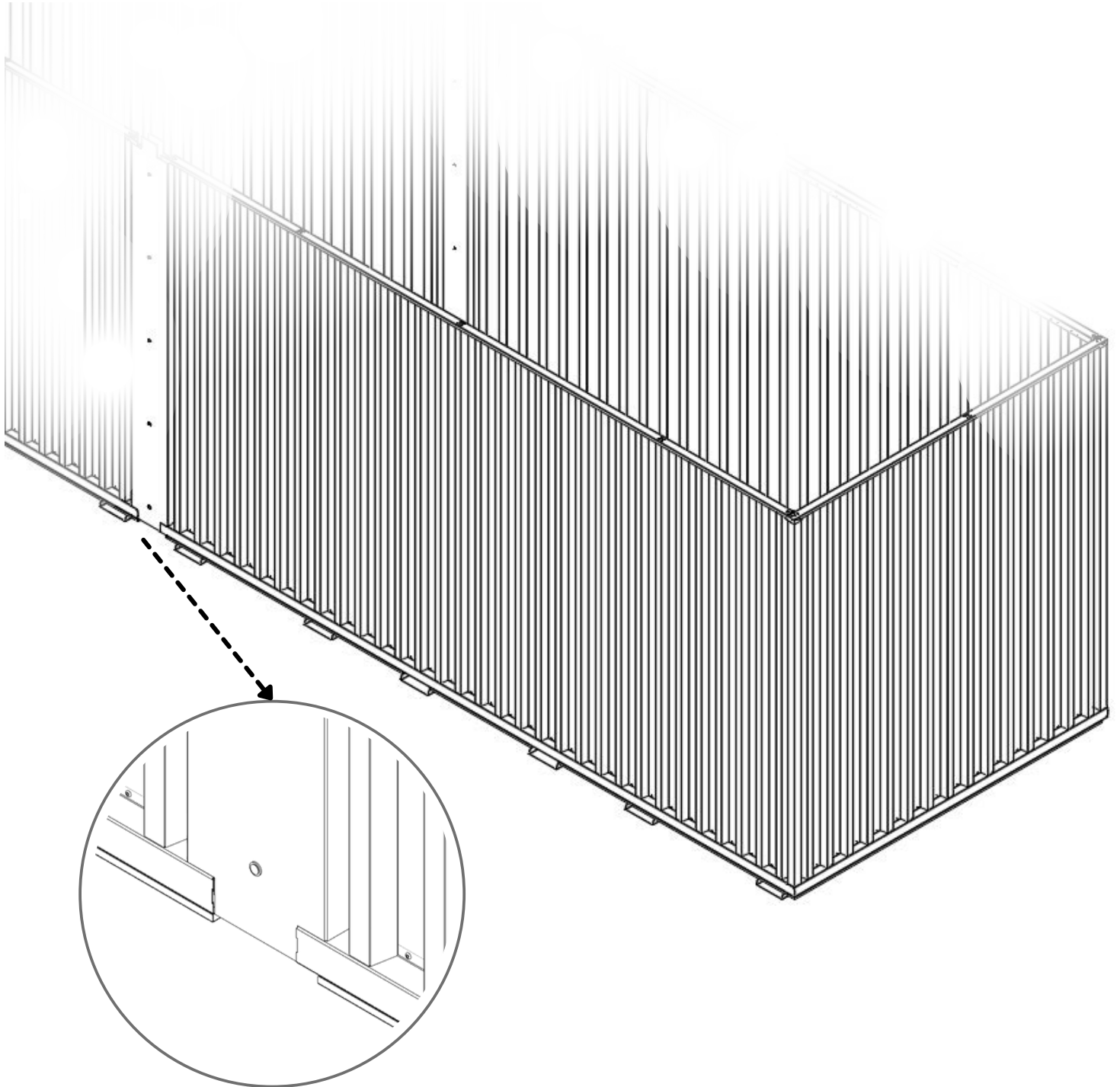
7.1



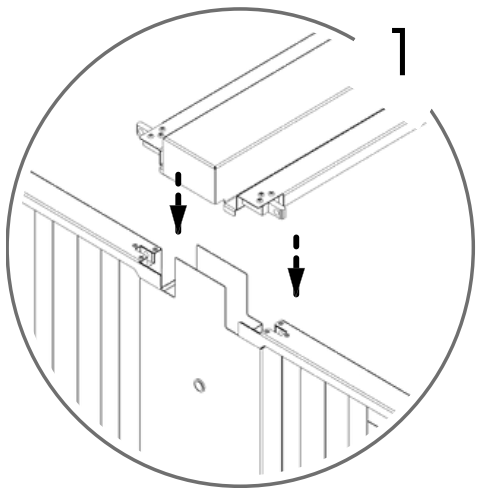
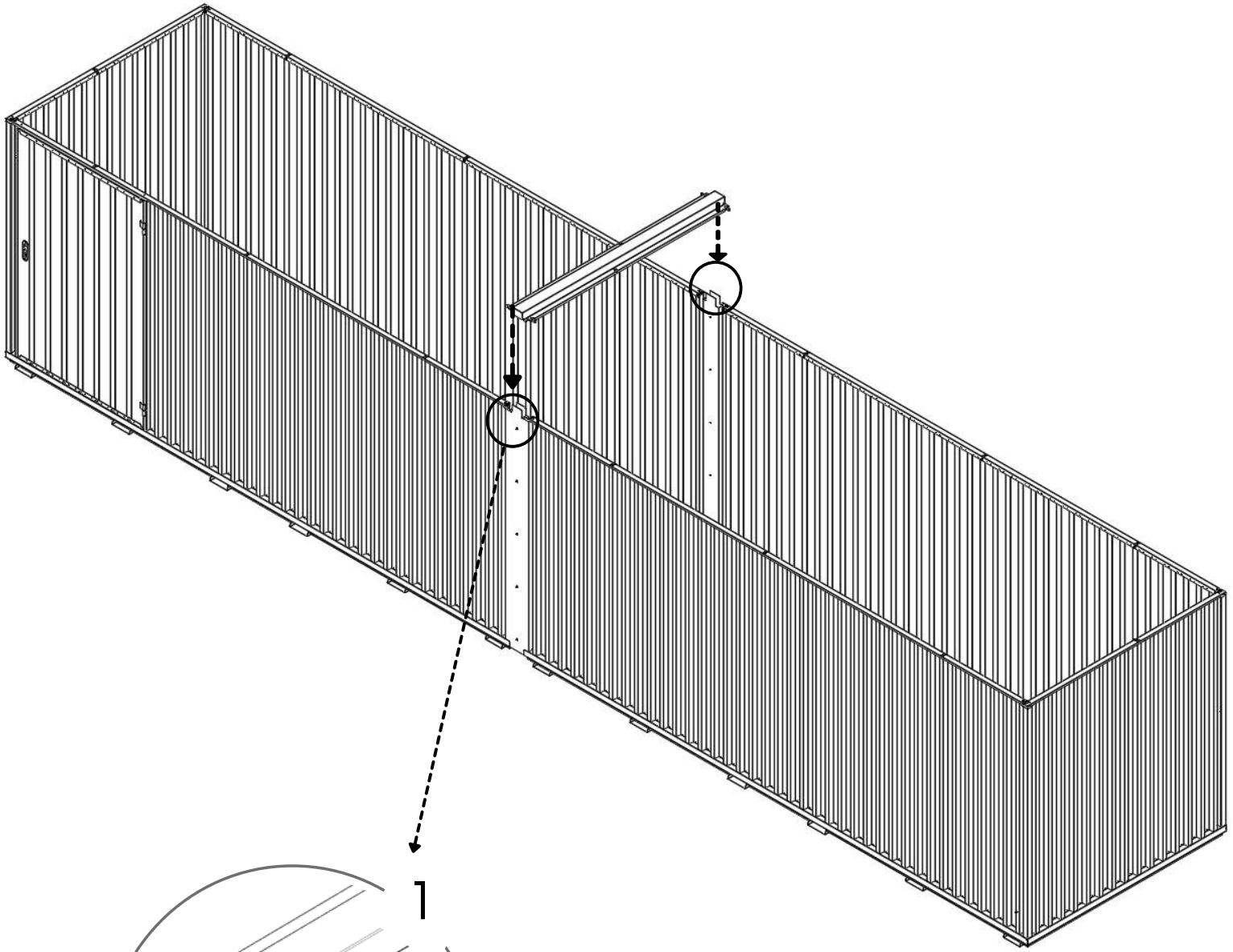
8



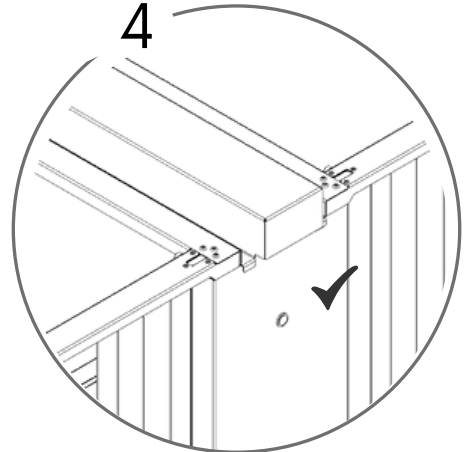
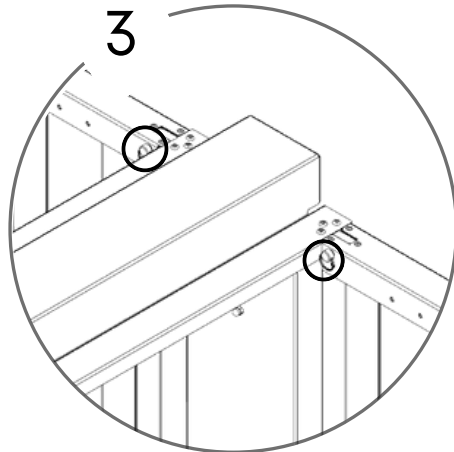
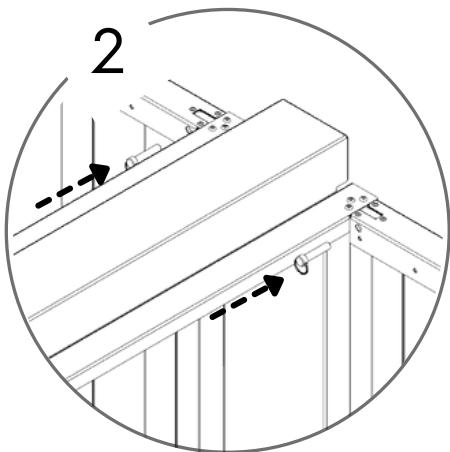
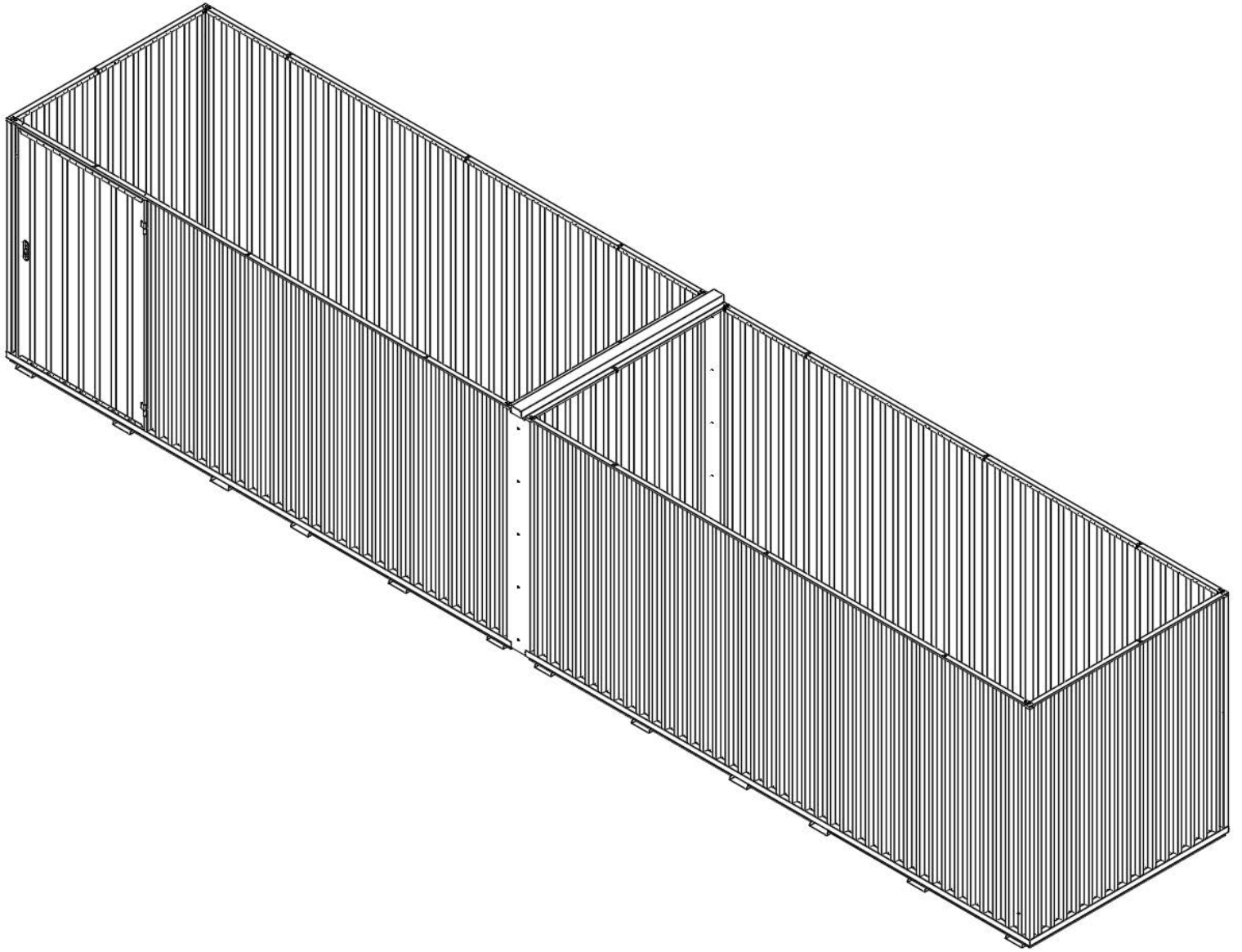
9











10

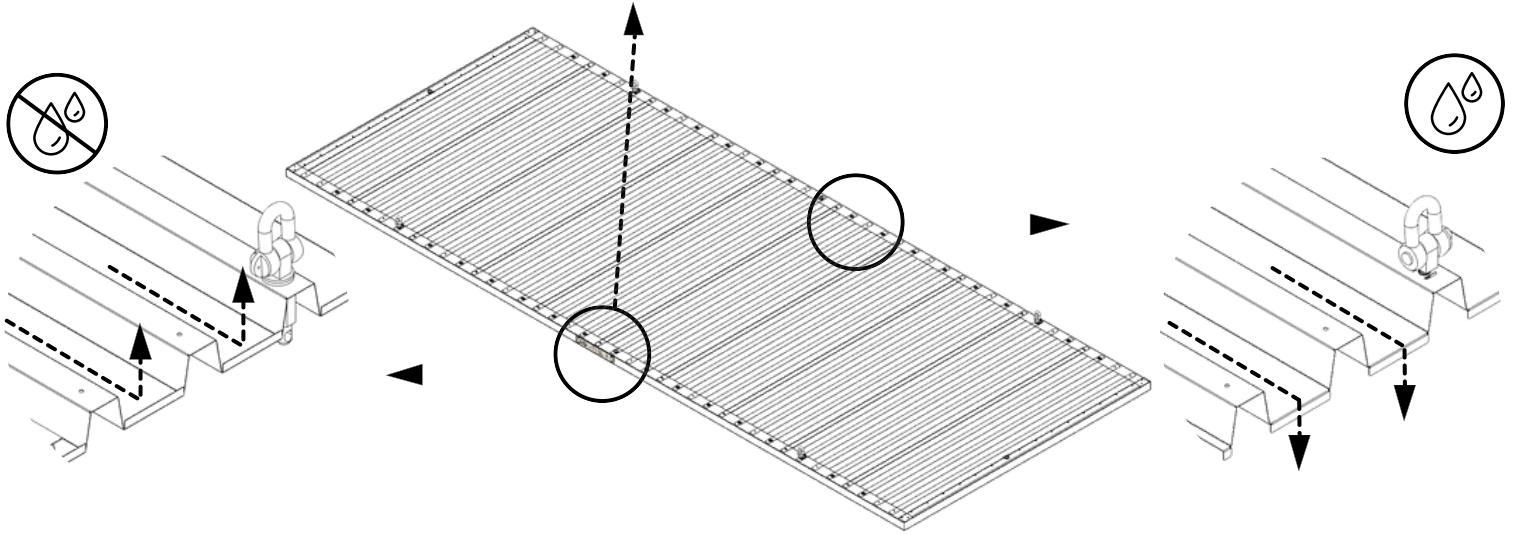


11

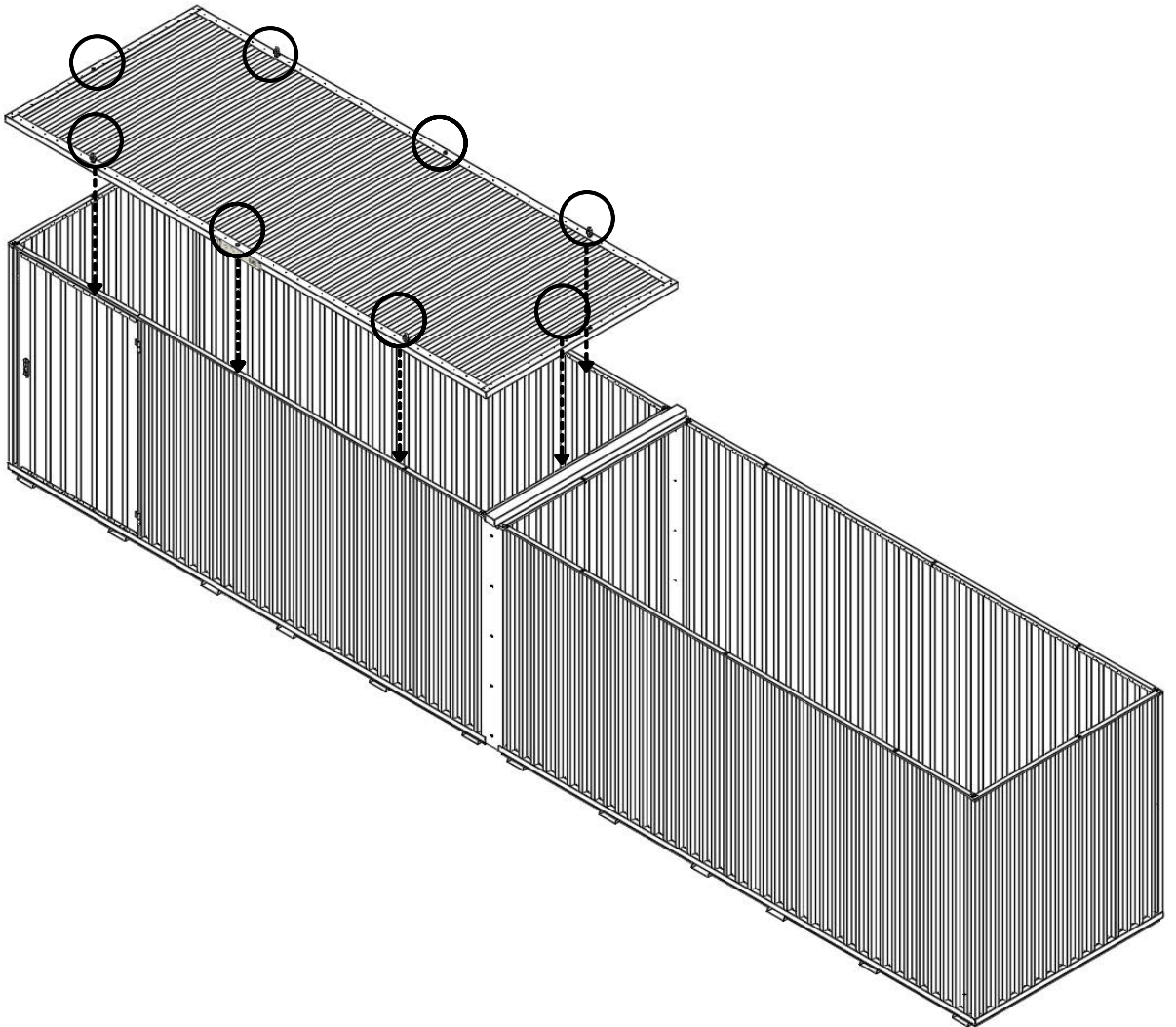




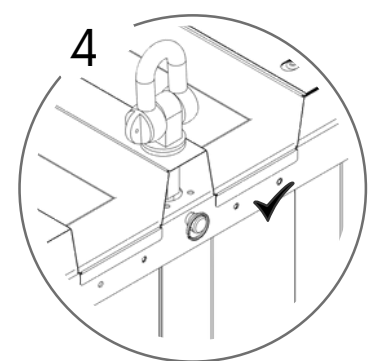
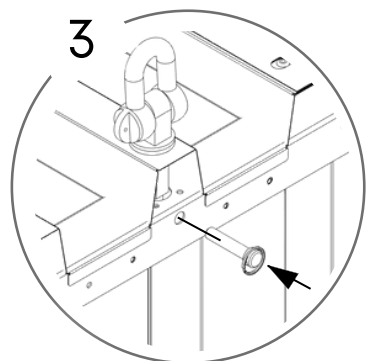
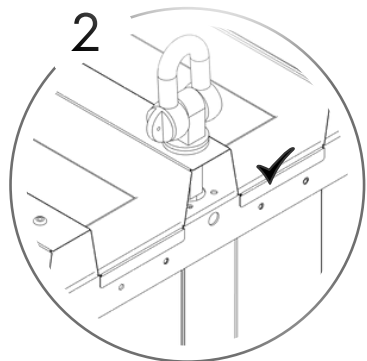
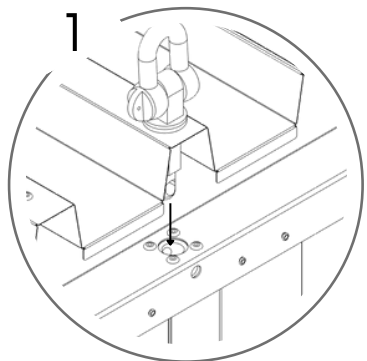
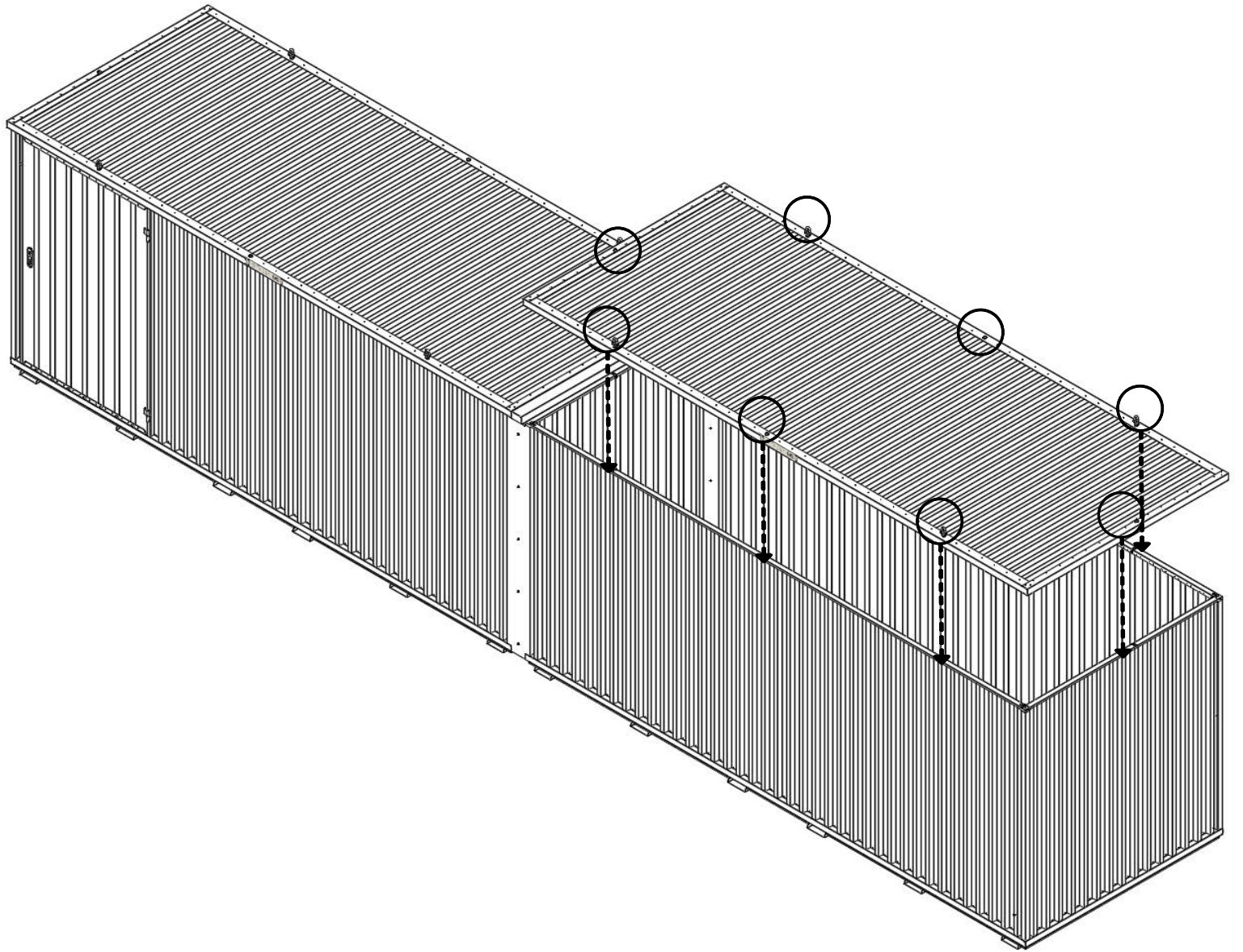
| | | | | | | | | |
|---|--|---|---|--|--|---|---|---|
|  939 KG |  1640 MM | Model Code: 5050.110.450 Production Tracking Code:/X09.1.5050.450 |  9001 |  14001 |  50001 |  |  |  |
|---|--|---|---|--|--|---|---|---|



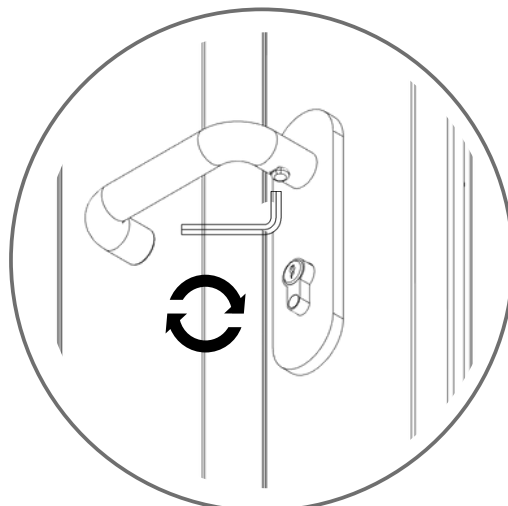
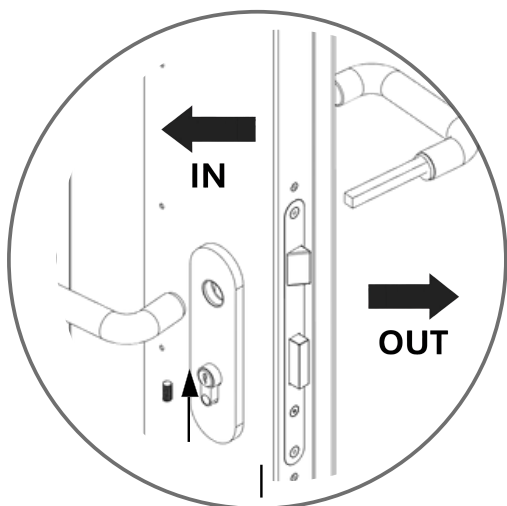
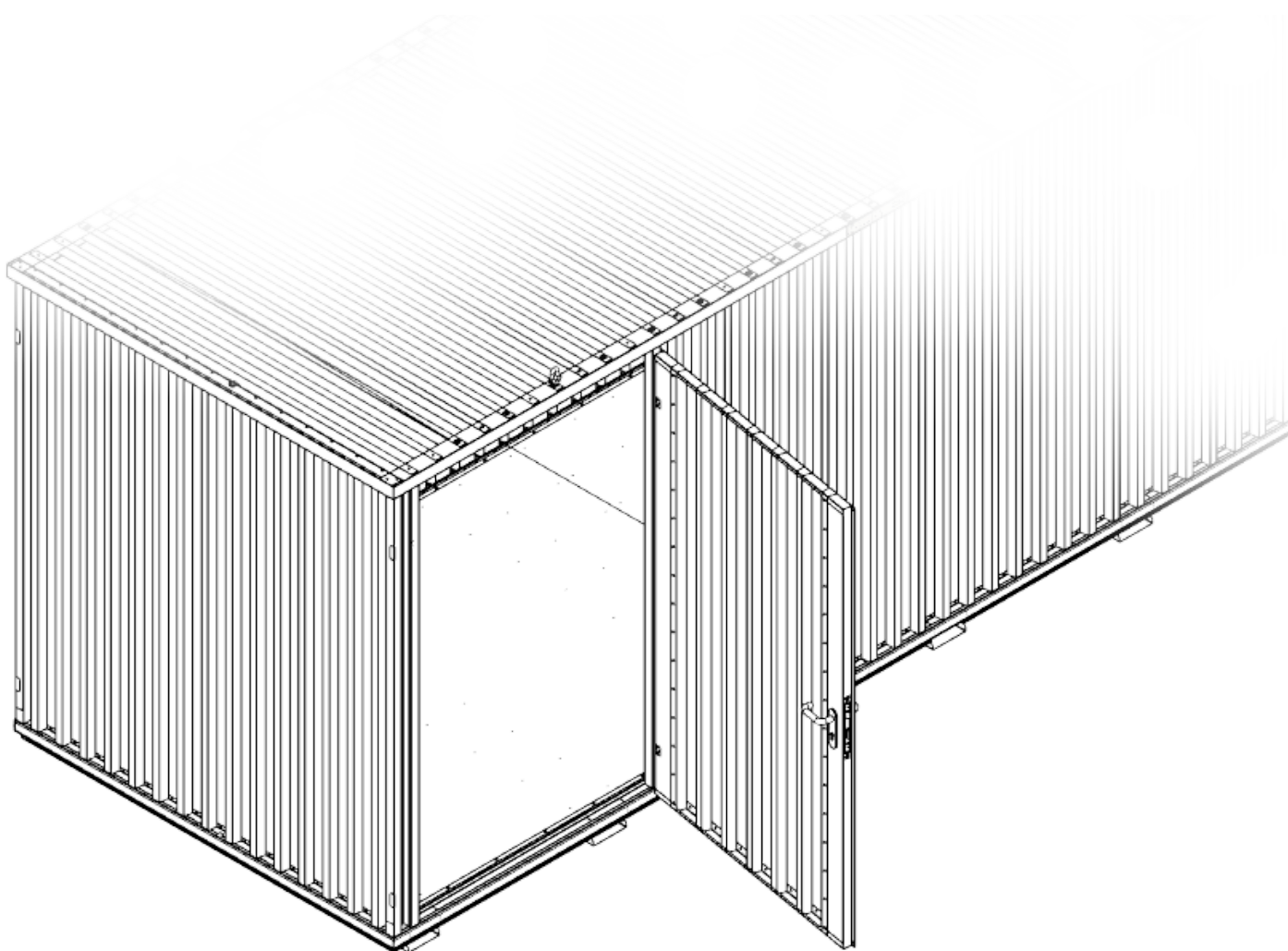
12



13



14



15

